

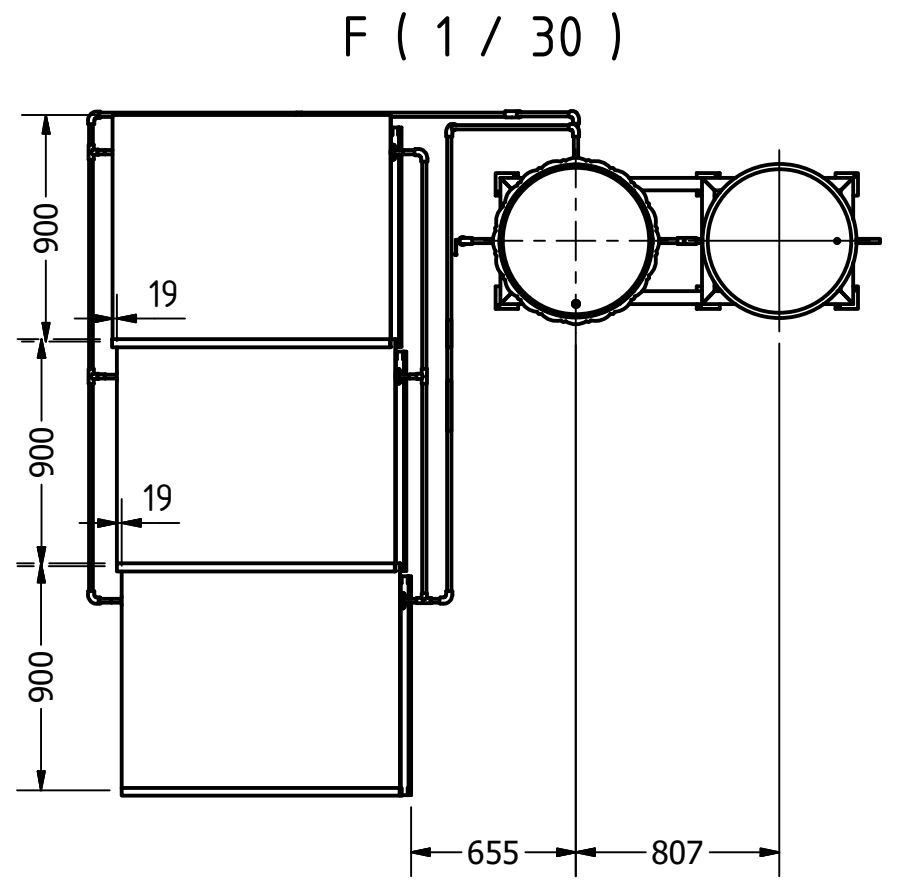
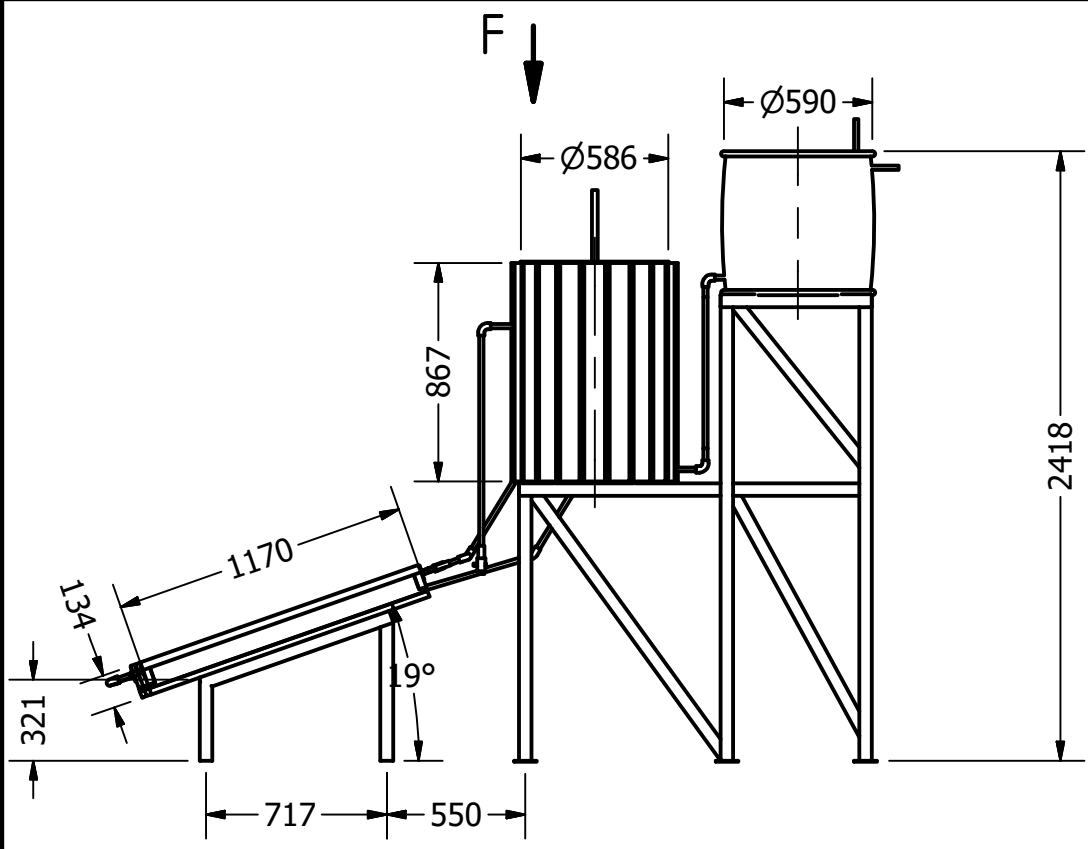




PROJECT		CREATED BY	APPROVED BY		
ZIGZAG SOLAR WATER HEATER		D. MOSQUERA	D. JAEGER		
PART NAME		PART CODE	DOCUMENT TYPE	MATERIAL	
zigzag-solar-water-heater		A1	ASSEMBLY		
DEVELOPED BY	REDESIGNED BY	LICENCE	FILE NAME	VERSION	QUANTITY
 WOT-UNIVERSITY OF TWENTE	 OPEN SOURCE ECOLOGY GERMANY	CC-BY-SA	oseg_zswh_zigzag-solar-water-heater.iam	1.1	
				SCALE	SHEET
			1:20	1 /54	4/3/2021



PROJECT		CREATED BY		APPROVED BY	
ZIGZAG SOLAR WATER HEATER		D. MOSQUERA		D. JAEGER	
PART NAME		PART CODE		DOCUMENT TYPE	
zigzag-solar-water-heater		A1		ASSEMBLY	
DEVELOPED BY		REDESIGNED BY		LICENCE	
 WOT-UNIVERSITY OF TWENTE		 OPEN SOURCE ECOLOGY GERMANY		CC-BY-SA	
		FILE NAME		VERSION	
		oseg_zsw_h_zigzag-solar-water-heater.iam		1.1	
		SCALE		SHEET	
		1:30		2 / 54	
				DATE	
				4/3/2021	