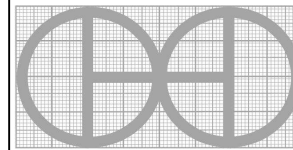
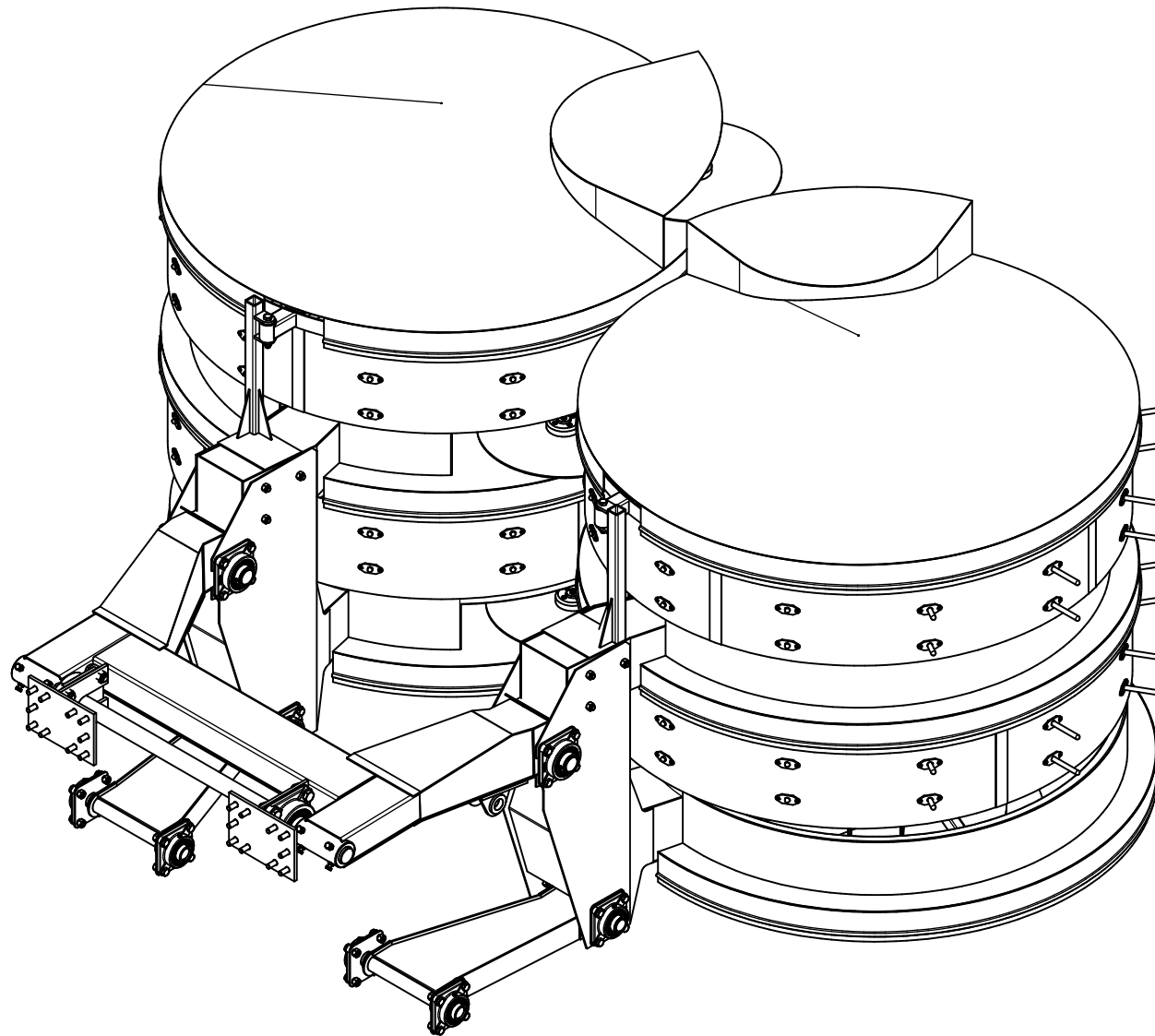
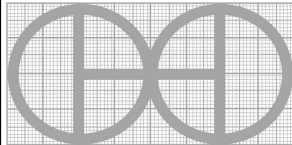


PROJECT	CREATED BY	APPROVED BY	DATE	VERSION
Vertical Drum Hemp Harvester	A. Morillo	D. Jaeger	12-04-2024	0.05
PART NAME	SPECIFICACIONES			CODE
3D views				A1
DEVELOPED BY	REDESIGNED BY	FILENAME	QTY	
		Vertical Drum Hemp Harvester.iam	1	
		LICENSE	DOC. TYPE	SCALE SHEET
Hanfasser		CC-BY-SA 4.0	Assembly	1 : 30 1 / 146

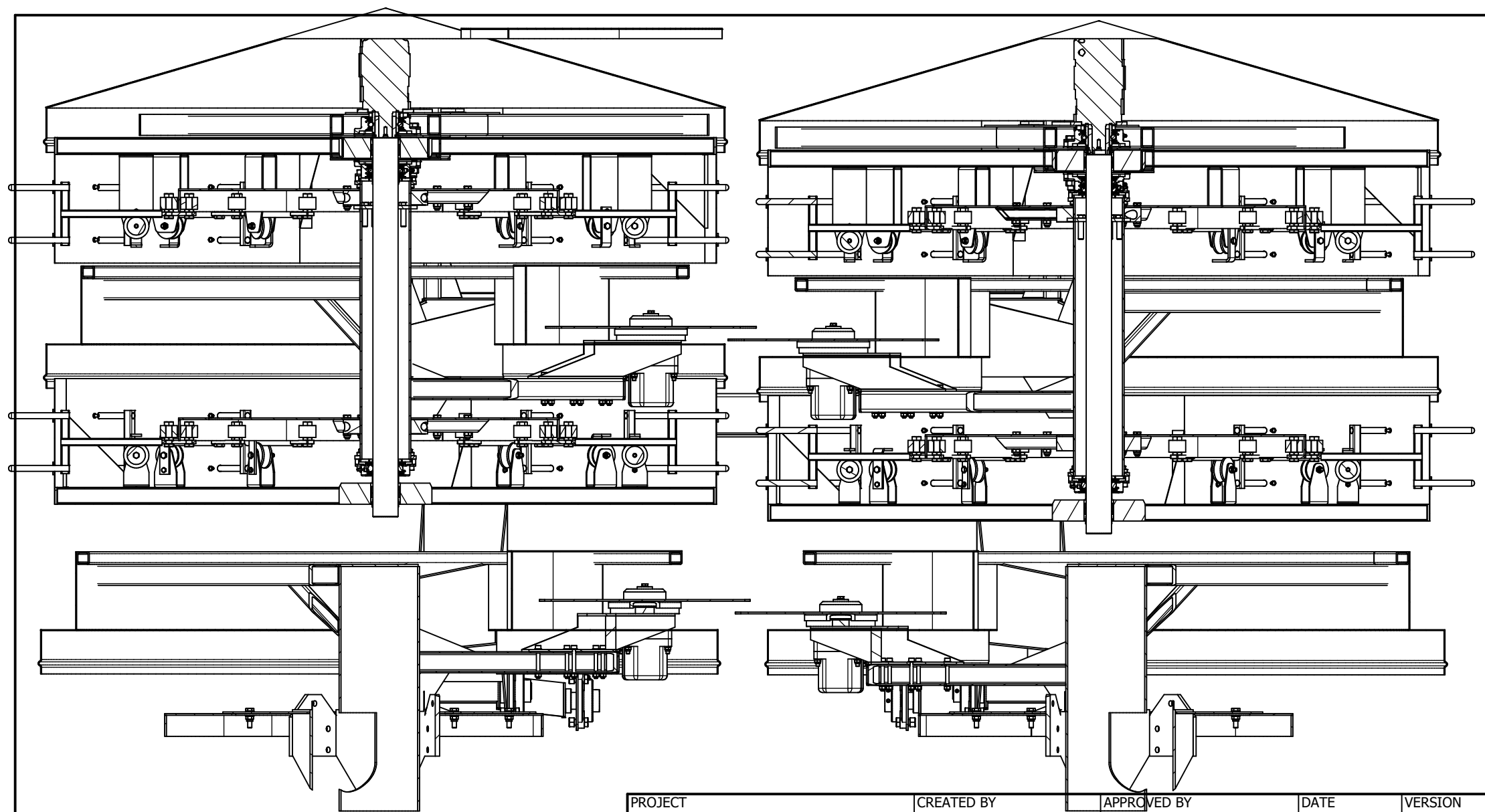


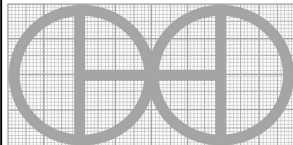
OHO e.V.



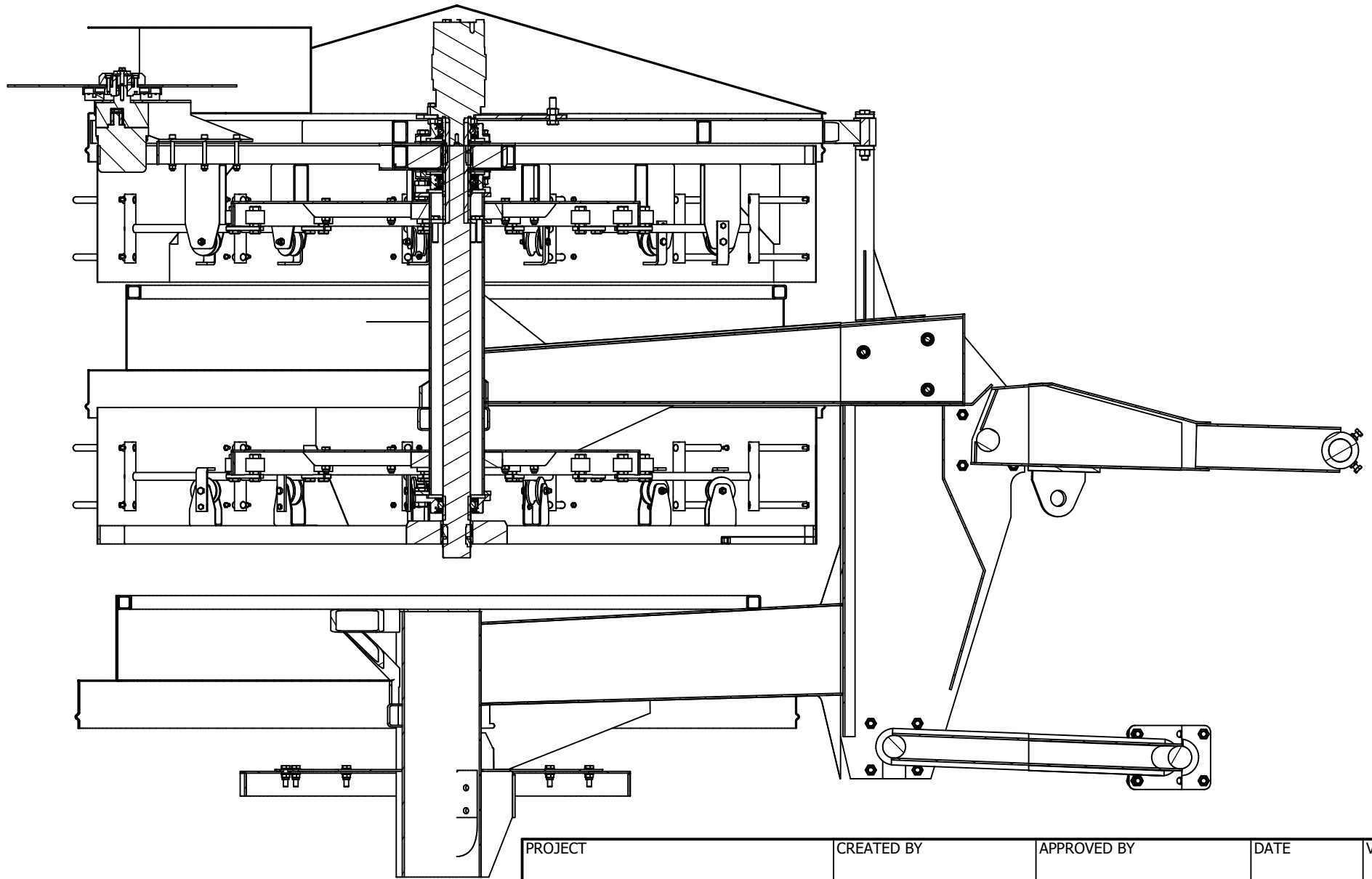
PROJECT	CREATED BY	APPROVED BY	DATE	VERSION
Vertical Drum Hemp Harvester	A. Morillo	D. Jaeger	12-04-2024	0.05
PART NAME	SPECIFICACIONES			CODE
3D views				A1
DEVELOPED BY	REDESIGNED BY	FILENAME	QTY	
		Vertical Drum Hemp Harvester.iam	1	
		LICENSE	DOC. TYPE	SCALE
Hanfasser		CC-BY-SA 4.0	Assembly	1 : 20
				SHEET
				2 / 146

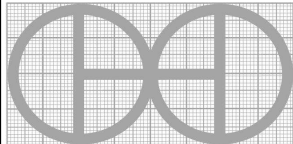
OHO e.V.

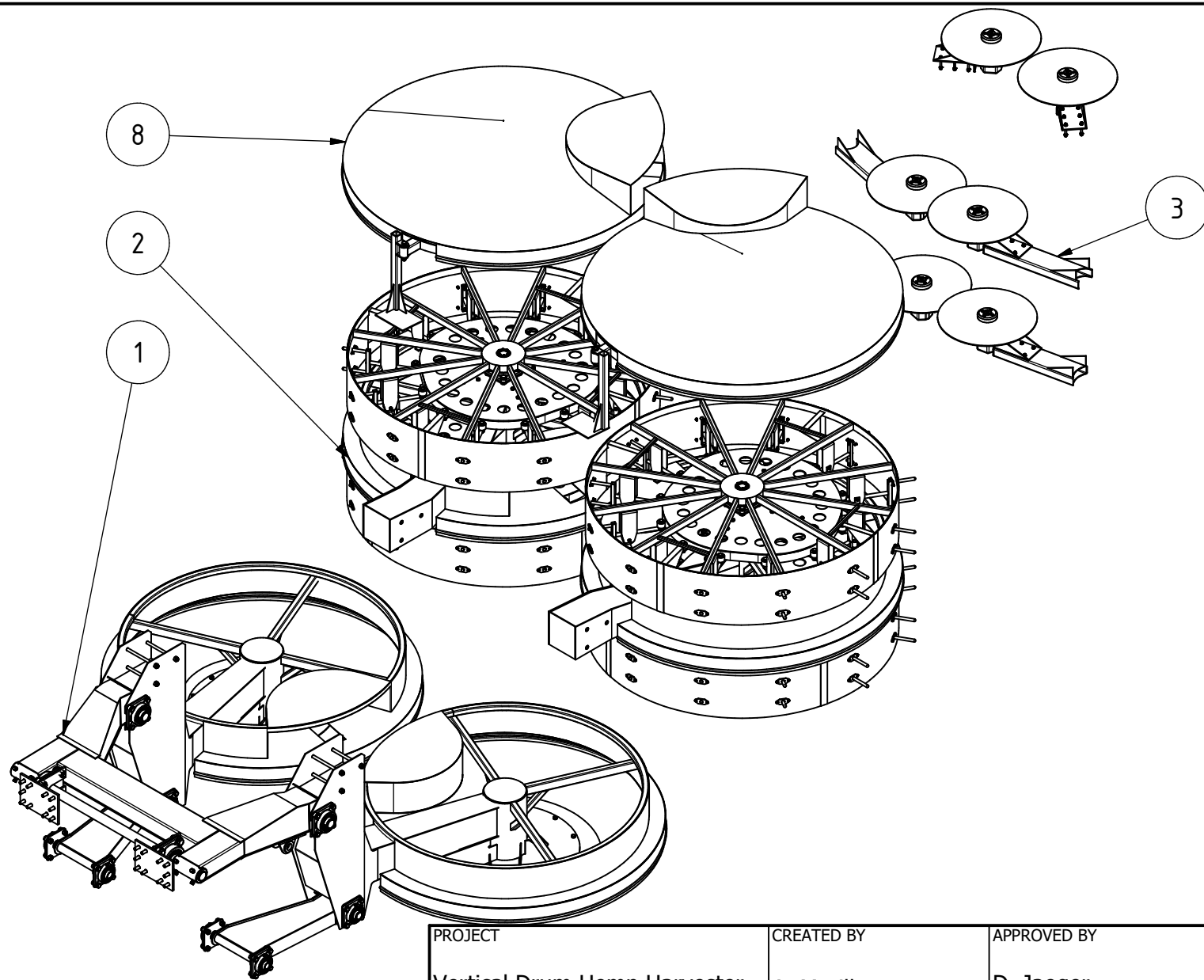


PROJECT	CREATED BY	APPROVED BY	DATE	VERSION
Vertical Drum Hemp Harvester	A. Morillo	D. Jaeger	12-04-2024	0.05
PART NAME	SPECIFICACIONES			CODE
3D views				A1
DEVELOPED BY	REDESIGNED BY	FILENAME	QTY	
		Vertical Drum Hemp Harvester.iam	1	
		LICENSE	DOC. TYPE	SCALE
Hanfasser		CC-BY-SA 4.0	Assembly	1 : 12
				SHEET
				3 / 146

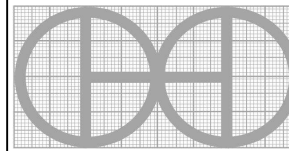
OHO e.V.



PROJECT	CREATED BY	APPROVED BY	DATE	VERSION
Vertical Drum Hemp Harvester	A. Morillo	D. Jaeger	12-04-2024	0.05
PART NAME	SPECIFICACIONES			CODE
DEVELOPED BY	REDESIGNED BY	FILENAME		QTY
Handfasser		OHO e.v.		
		LICENSE	DOC. TYPE	SCALE
		CC-BY-SA 4.0		
				SHEET
				4 / 146



PROJECT	CREATED BY	APPROVED BY	DATE	VERSION
Vertical Drum Hemp Harvester	A. Morillo	D. Jaeger	12-04-2024	0.05
PART NAME	SPECIFICACIONES			CODE
Explodewd view				A2
DEVELOPED BY	REDESIGNED BY	FILENAME		QTY
		Vertical Drum Hemp Harvester.ipn		1
		LICENSE	DOC. TYPE	SCALE
		CC-BY-SA 4.0	Assembly	1 : 25
				SHEET
				5 /146

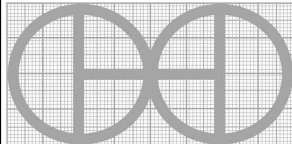


Hanfasser

OHO e.V.

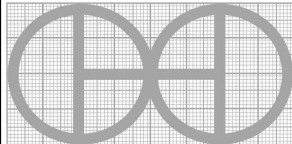
Parts list

POS	QTY	PART NAME	FILE NAME	PART TYPE	SPECIFICATIONS	SHEET
A1	1	3D views	Vertical Drum Hemp Harvester.iam			3
A1	1	3D views	Vertical Drum Hemp Harvester.iam			2
A1	1	3D views	Vertical Drum Hemp Harvester.iam			3
A2	1	Explodewd view	Vertical Drum Hemp Harvester.ipn			4
B1		Parts list				5
B2		Parts list				6
B3		Parts list				7
B4		Parts list				8
B5		Parts list				9
B6		Parts list				10
A1	1	3D views	Vertical Drum Hemp Harvester.iam			1
A1	1	3D views	Vertical Drum Hemp Harvester.iam			2
A1	1	3D views	Vertical Drum Hemp Harvester.iam			3
A2	1	Explodewd view	Vertical Drum Hemp Harvester.ipn			4
B1		Parts list				5
B2		Parts list				6
B3		Parts list				7
B4		Parts list				8
B5		Parts list				9
B6		Parts list				10
1.0.0	1	Main frame base and parallelogram swing arm	1.iam			11
1.0.0	1	Main frame base and parallelogram swing arm	1.iam			12
1.0.0	1	Main frame base and parallelogram swing arm	1.iam			13
1.1.0	2	Main frame base	1.1.iam			15
1.1.0	2	Main frame base	1.1.iam			15
1.1.0	2	Main frame base	1.1.iam			16
1.1.1	2	Part 1.1.1	1.1.1.ipt	Production	Steel 235J2	17

PROJECT		CREATED BY	APPROVED BY	DATE	VERSION
Vertical Drum Hemp Harvester		A. Morillo	D. Jaeger	12-04-2024	0.05
PART NAME		SPECIFICACIONES			CODE
Parts list					B1
DEVELOPED BY		REDESIGNED BY	FILENAME		QTY
Hanfasser			OHO e.V.		
		LICENSE	DOC. TYPE	SCALE	SHEET
		CC-BY-SA 4.0	Parts list		6 /146

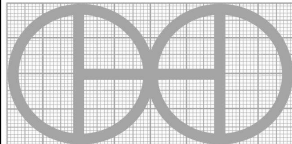
Parts list

POS	QTY	PART NAME	FILE NAME	PART TYPE	SPECIFICATIONS	SHEET
1.1.13	2	Part 1.1.13	1.1.13.ipt	Production	Steel 235J2	28
1.1.14	6	Part 1.1.14	1.1.14.ipt	Production	Steel 235J2	29
1.1.15	8	Part 1.1.15	1.1.15.ipt	Production	Steel 235J2	30
1.1.15	8	Part 1.1.15	1.1.15.ipt	Production	Steel 235J2	31
1.1.15	8	Part 1.1.15	1.1.15.ipt	Production	Steel 235J2	32
1.1.16	2	Part 1.1.16	1.1.16.ipt	Production	Steel 235J2	33
1.1.17	24	Part 1.1.17		Standard	Hex bolt M10*40	
1.1.18	24	Part 1.1.18		Standard	Lock nut M10	
1.1.19	24	Part 1.1.19		Standard	Plain washer D11*20	
1.2.0	1	Upper handlebar	1.2.ipn			35
1.2.0	1	Upper handlebar	1.2.ipn			35
1.2.1	1	Part 1.2.1	1.2.1.ipt	Production	Steel 235J2	36
1.2.2	2	Part 1.2.2	1.2.2.ipt	Production	Steel 235J2	37
1.2.3	2	Part 1.2.3	1.2.3.ipt	Production	Steel 235J2	38
1.2.4	2	Part 1.2.4	1.2.4.ipt	Production	Steel 235J2	39
1.2.5	1	Part 1.2.5	1.2.5.ipt	Production	Steel 235J2	40
1.2.6		Part 1.2.6	1.2.6.ipt	Production		41
1.2.6_C	2	Part 1.2.6_C	1.2.6_C.ipt	Production	Steel 235J2	42
1.2.7		Part 1.2.7	1.2.7.ipt	Production		43
1.2.7_C	2	Part 1.2.7_C	1.2.7_C.ipt	Production	Steel 235J2	44
1.2.8	2	Part 1.2.8	1.2.8.ipt	Production	Steel 235J2	45
1.2.9_1	2	Part 1.2.9_1	1.2.9.ipt	Production	Steel 235J2	46
1.2.9_2	2	Part 1.2.9_2	1.2.9_A.ipt	Production	Steel 235J2	47
1.2.10	4 (2A,2B)	Part 1.2.10	1.2.10.ipt	Production	Steel 235J2	48
1.2.11	4	Upper handlebar_part11	1.2.11.ipt	Production	Steel 235J2	49
1.2.12	2	Upper handlebar_part11	1.2.12.ipt	Production	Steel 235J2	50

PROJECT		CREATED BY		APPROVED BY		DATE		VERSION	
Vertical Drum Hemp Harvester		A. Morillo		D. Jaeger		12-04-2024		0.05	
PART NAME				SPECIFICACIONES				CODE	
Parts list								B2	
DEVELOPED BY			REDESIGNED BY			FILENAME			QTY
Hanfasser						OHO e.V.			
LICENSE		DOC. TYPE		SCALE		SHEET			
CC-BY-SA 4.0		Parts list				7 /146			

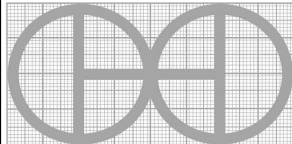
Parts list

POS	QTY	PART NAME	FILE NAME	PART TYPE	SPECIFICATIONS	SHEET
1.2.13	2	Upper handlebar_part11	1.2.13.ipt	Production	Steel 235J2	51
1.3.0	1	Axle	1.3.ipt	Production	Steel 235J2	52
1.4.0	4	Flange bearing UCF 310		Buy	UCF 310	
1.5.0	2	Lower control arm	1.5.ipn			54
1.5.0	2	Lower control arm	1.5.ipn			54
1.5.1	2	Part 1.5.1	1.5.1.ipt	Production	Steel 235J2	55
1.5.3	8	Part 1.5.3	1.5.3.ipt	Production	Steel 235J2	56
1.5.4	2	Part 1.5.4	1.5.4.ipt	Production	Steel 235J2	57
1.5.5	8	Part 1.5.5	1.5.5.ipt	Production	Steel 235J2	58
1.5.6	2	Part 1.5.6	1.5.6.ipt	Production	Steel 235J2	59
1.5.7	2	Part 1.5.7	1.5.7.ipt	Production	Steel 235J2	60
1.6.0	8	Flange bearing UCF 208		Buy	UCF 208	
1.7.0	8	Reinforcement plate 2	1.7.ipt	Production	Steel 235J2, For Bearing UCF 208	61
1.8.0	4	Reinforcement plate	1.8.ipt	Production	Steel 235J2, for bearing UCF 210	62
1.9.0	4	Reinforcement plate	1.9.ipt	Production	Steel 235J2, for bearing UCF 310	63
1.10.0	4	Flange bearing UCF 210		Buy	UCF 210	
1.11.0	2	Bracket for flange mounting	1.11.ipn			65
1.11.0	2	Bracket for flange mounting	1.11.ipn			65
1.11.1	2	Part 1.11.1	1.11.1.ipt	Production	Steel 235J2	66
1.11.2	2	Part 1.11.2	1.11.2.ipt	Production	Steel 235J2	67
1.12.0	8	Screw M16		Standard	M20*55	
1.13.0	68	Screw M14		Standard	M14*45	
1.16.0	8	Clamping screw		Standard	M10*30	
1.17.0	8	Hex nut M20		Standard	M20	
1.18.0	8	Hex nut M10		Standard	M10	
1.20.0	60	Hex nut M14		Standard	M14	
1.24.0	6	Thread M14	1.24.ipt	Production	M14*240	68
1.25.0	2	Feeding drums 1	1.25.ipn			70
1.25.0	2	Feeding drums 1	1.25.ipn			70

PROJECT		CREATED BY	APPROVED BY	DATE	VERSION
Vertical Drum Hemp Harvester		A. Morillo	D. Jaeger	12-04-2024	0.05
PART NAME		SPECIFICACIONES			CODE
Parts list					B3
DEVELOPED BY		REDESIGNED BY	FILENAME		QTY
Hanfasser			OHO e.V.		
		LICENSE	DOC. TYPE	SCALE	SHEET
		CC-BY-SA 4.0	Parts list		8 /146

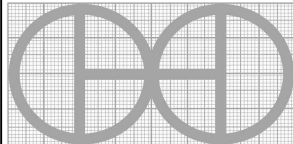
Parts list

POS	QTY	PART NAME	FILE NAME	PART TYPE	SPECIFICATIONS	SHEET
1.25.1	2	Part 1.25.1	1.25.1.ipt	Production	Steel 235J2	71
1.25.3	2	Part 1.25.3	1.25.3.ipt	Production	Steel 235J2	72
1.25.4	2	Part 1.25.4	1.25.4.ipt	Production	Steel 235J2	73
1.25.5	2	Part 1.25.5	1.25.5.ipt	Production	Steel 235J2	74
1.25.6	6	Part 1.25.6	1.25.6.ipt	Production	Steel 235J2, rectangle profile 50*30*3	75
1.25.7	2	Part 1.25.7	1.25.7.ipt	Production	Steel 235J2, square profile 30*30*3	76
1.25.8	6	Part 1.25.8	1.25.8.ipt	Production	Steel 235J2, square profile 30*30*3	77
2.0.0	2	Main frame top cpl with attachments	2.ipn			80
2.0.0	2	Main frame top cpl with attachments	2.iam			79
2.0.0	2	Main frame top cpl with attachments	2.ipn			80
2.1.0	2	Main frame top	2.1.ipn			82
2.1.0	2	Main frame top	2.1.ipn			82
2.1.1	4	Part 2.1.1	2.1.1.ipt	Production	Steel 235J2	83
2.1.2	2	Part 2.1.2	2.1.2.ipt	Production	Steel 235J2	84
2.1.3	2	Part 2.1.3	2.1.3.ipt	Production	Steel 235J2	85
2.1.4	2	Part 2.1.4	2.1.4.ipt	Production	Steel 235J2	86
2.1.5	2	Part 2.1.5	2.1.5.ipt	Production	Steel 235J2	87
2.1.6	4	Part 2.1.6	2.1.6.ipt	Production	Steel 235J2	88
2.1.7	4	Part 2.1.7	2.1.7.ipt	Production	Steel 235J2	89
2.1.8	4	Part 2.1.8	2.1.8.ipt	Production	Steel 235J2	90
2.1.9	4	Part 2.1.9	2.1.9.ipt	Production	Cast iron (*)	91
2.1.10	8	Part 2.1.10	2.1.10.ipt	Production	Steel 235J2	92
2.1.11	6	Part 2.1.11	2.1.11.ipt	Production	Steel 235J2	93
2.1.12	8	Part 2.1.12	2.1.12.ipt	Production	Steel 235J2	94
2.1.13	32	Part 2.1.13		Standard	Hex bolt M10*50	
2.1.14	8	Part 2.1.14		Standard	Lock nut M10	
2.1.15	8	Part 2.1.15		Standard	Hexagon bolt M12*65	
2.1.16	32	Part 2.1.16		Standard	Lock nut M12	

PROJECT		CREATED BY	APPROVED BY	DATE	VERSION
Vertical Drum Hemp Harvester		A. Morillo	D. Jaeger	12-04-2024	0.05
PART NAME		SPECIFICACIONES			CODE
Parts list					B4
DEVELOPED BY		REDESIGNED BY	FILENAME		QTY
Hanfasser			OHO e.V.		
		LICENSE	DOC. TYPE	SCALE	SHEET
		CC-BY-SA 4.0	Parts list		9 /146

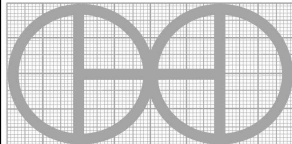
Parts list

POS	QTY	PART NAME	FILE NAME	PART TYPE	SPECIFICATIONS	SHEET
2.1.17	4	Part 2.1.17	2.1.17.ipt	Production	Steel 235J2	95
2.1.18	4	Part 2.1.18	2.1.18.ipt	Production	Steel 235J2	96
2.4.0	4	Clamping set		Buy	Clampex KTR 200_TLK 130 40 x 65	
2.5.0	4	Flange bearing		Buy	UCF 210	
2.6.0	2	Axle for drum mounting diam. 40	2.6.ipt	Production	Steel 235J2	97
2.8.0	96	Sliding piece		Buy	Follower roller, De:40mm, h:28mm	
2.9.0	48	Tine fork	2.9.ipn			99
2.9.0	48	Tine fork	2.9.ipn			99
2.9.1	48	Part 2.9.1	2.9.1.ipt	Production	Steel 235J2	100
2.9.2	48	Part 2.9.2	2.9.2.ipt	Production	Steel 235J2	101
2.9.3	48	Part 2.9.3	2.9.3.ipt	Production	Steel 235J2	102
2.10.0	48	Tine bush		Buy	Tine bush, Aluminum (*)	
2.11.0	96	Tines	2.11.ipt	Production	D: 14mm, L: 144mm, Steel 235J2	103
2.12.0	96	Hexagon nut M14		Standard	M14	
2.13.0	48	Hexagon bolt M14_50		Standard	Hexagon bolt M14*50	
2.16.0	192	Hexagon nut M 6		Standard	M6	
2.17.0	192	Phillips screw M6x20.		Standard	M6 x 20	
2.20.0	2	Feed drum_center cpl	2.20.ipn			105
2.20.0	2	Feed drum_center cpl	2.20.ipn			105
2.20.1	24	Part 2.20.1	2.20.1.ipt	Production	Steel 235J2	106
2.20.2	2	Part 2.20.2	2.20.2.ipt	Production	Steel 235J2	107
2.20.3	8	Part 2.20.3	2.20.3.ipt	Production	Steel 235J2	108
2.20.4	2	Part 2.20.4	2.20.4.ipt	Production	Cast iron (*)	109
2.20.5	8	Part 2.20.5	2.20.5.ipt	Production	Steel 235J2	110
2.20.6	8	Part 2.20.6	2.20.6.ipt	Production	Steel 235J2	111
2.20.7	24	Part 2.20.7		Standard	Lock nut M8	
2.20.8	24	Part 2.20.8	2.20.8.ipt	Production	Steel 235J2	112
2.20.9	24	Part 2.20.9		Buy	Wheel, Diameter 60, thickness 26, Hole: 8, Nylon or Teflon (*)	

PROJECT		CREATED BY	APPROVED BY	DATE	VERSION
Vertical Drum Hemp Harvester		A. Morillo	D. Jaeger	12-04-2024	0.05
PART NAME		SPECIFICACIONES			CODE
Parts list					B5
DEVELOPED BY		REDESIGNED BY	FILENAME		QTY
Hanfasser			OHO e.v.		
		LICENSE	DOC. TYPE	SCALE	SHEET
		CC-BY-SA 4.0	Parts list		10 /146

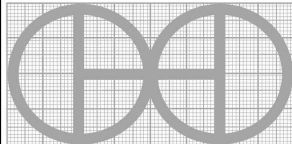
Parts list

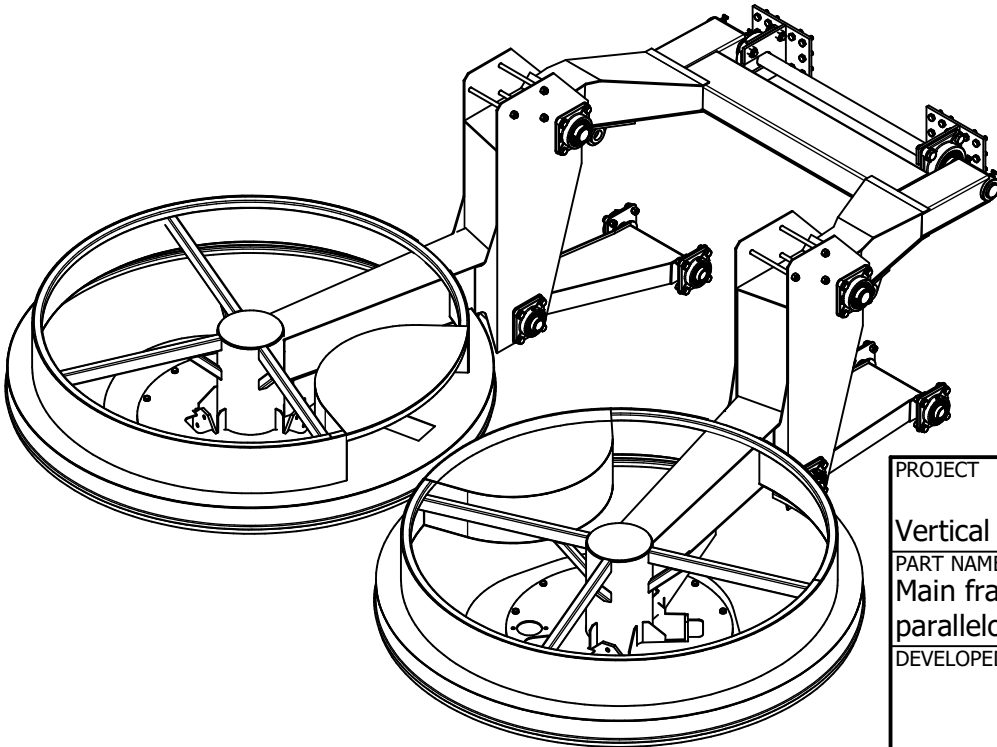
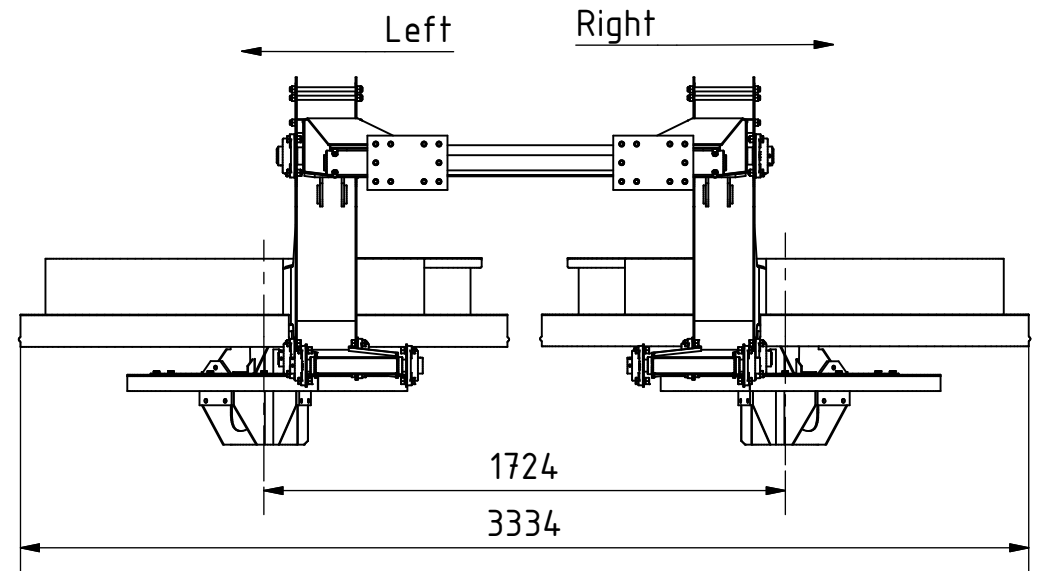
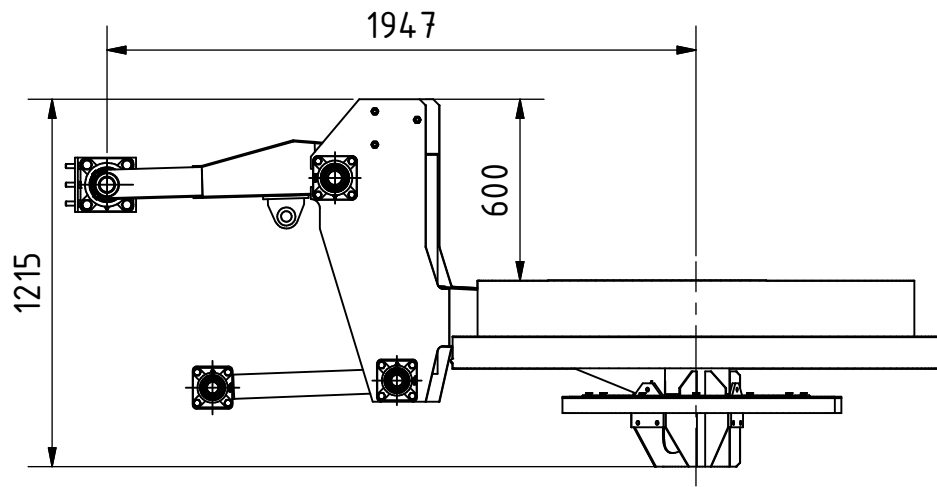
POS	QTY	PART NAME	FILE NAME	PART TYPE	SPECIFICATIONS	SHEET
2.20.10	24	Part 2.20.10	2.20.10.ipt	Production	Steel 235J2	113
2.20.11	24	Part 2.20.11		Standard	Hex bolt M8*60	
2.20.12	24	Part 2.20.12		Standard	Hex bolt M6*16	
2.20.13	24	Part 2.20.13		Standard	Hex nut M6	
2.21.0	2	Feed drum_top cpl	2.21.ipn			115
2.21.0	2	Feed drum_top cpl	2.21.ipn			115
2.21.1	24	Part 2.21.1	2.21.1.ipt	Production	Steel 235J2	116
2.21.2	2	Part 2.21.2	2.21.2.ipt	Production	Steel 235J2	117
2.21.3	8	Part 2.21.3	2.21.3.ipt	Production	Steel 235J2	118
2.21.4	2	Part 2.21.4	2.21.4.ipt	Production	Cast Iron (*)	119
2.21.5	8	Part 2.21.5	2.21.5.ipt	Production	Steel 235J2	120
2.21.6	8	Part 2.21.6	2.21.6.ipt	Production	Steel 235J2	121
2.21.7	24	Part 2.21.7		Standard	Lock nut M8	
2.21.8	24	Part 2.21.8	2.21.8.ipt	Production	Steel 235J2	122
2.21.9	24	Part 2.21.9		Buy	Wheel, Diameter 60, thickness 26, Hole: 8, Nylon or Teflon (*)	
2.21.10	24	Part 2.21.10	2.21.10.ipt	Production	Steel 235J2	123
2.21.11	24	Part 2.21.11		Standard	Hex bolt M8*60	
2.21.12	24	Part 2.21.12		Standard	Hex bolt M6*16	
2.21.13	24	Part 2.21.13		Standard	Hex nut M6	
2.22.0	16	Hexagon head screw M 16		Standard	Hex bolt M16*40	
2.23.0	16	Hexagon nut M16		Standard	Hexagon nut M16, DIN 439-2	
2.24.0	2	Feeding drums 2	2.24.ipn			125
2.24.0	2	Feeding drums 2	2.24.ipn			125
2.24.1	2	Part 2.24.1	2.24.1.ipt	Production	Steel 235J2	126
2.24.3	2	Part 2.24.3	2.24.3.ipt	Production	Steel 235J2	127
2.24.4	2	Part 2.24.4	2.24.4.ipt	Production	Steel 235J2	128
2.24.5	2	Part 2.24.5	2.24.5.ipt	Production	Steel 235J2	129
2.24.6	6	Part 2.24.6	2.24.6.ipt	Production	Steel 235J2, rectangle profile 50*30*3	130
2.24.7	2	Part 2.24.7	2.24.7.ipt	Production	Steel 235J2, square profile 30*30*3	131
2.24.8	6	Part 2.24.8	2.24.8.ipt	Production	Steel 235J2, square profile 30*30*3	132

PROJECT		CREATED BY	APPROVED BY	DATE	VERSION
Vertical Drum Hemp Harvester		A. Morillo	D. Jaeger	12-04-2024	0.05
PART NAME		SPECIFICACIONES			CODE
Parts list					B6
DEVELOPED BY		REDESIGNED BY	FILENAME		QTY
Hanfasser			OHO e.V.		
		LICENSE	DOC. TYPE	SCALE	SHEET
		CC-BY-SA 4.0	Parts list		11 /146

Parts list

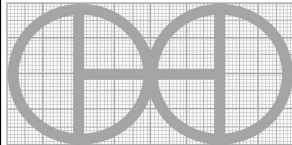
POS	QTY	PART NAME	FILE NAME	PART TYPE	SPECIFICATIONS	SHEET
3.0.0	6	Circular saws	3.iam			135
3.0.0	6	Circular saws	3.iam			136
3.0.0	6	Circular saws	3.ipn			137
3.1.0	6	Circular saw fastening lower part	3.1.ipt	Production	Steel 235J2	138
3.2.0	6	Motor mounting plate	3.2.ipt	Production	Steel 235J2	139
3.3.0	6	Console for circular saw	3.3.iam	Production	Steel 235J2	140
3.3.0	6	Console for circular saw	3.3.ipn	Production	Steel 235J2	141
3.3.1	12	Plate 3.3.1	3.3.1.ipt	Production	Steel 235J2	142
3.3.2	6	Plate 3.3.2	3.3.2.ipt	Production	Steel 235J2	143
3.3.3	6	Plate 3.3.3	3.3.3.ipt	Production	Steel 235J2	144
3.4.0	6	Circular saw attachment upper part	3.4.ipt	Production	Steel 235J2	145
3.5.0	6	U Washer	3.5.ipt	Production	Steel 235J2	146
3.6.0	6	Bearing support		Buy	Front bearing cpl. SUR/2 Shaft diam. 22. Includes Angular contact ball bearing 3208 B 2 RSR TVH	
3.7.0	6	Gear motor		Buy	KV 2 M/17-K 1:8 D=36,5	
3.8.0	6	Clutch hub		Buy	BF 2T Z=15 (1 :8)	
3.9.0	6	Hex Nut		Standard	M12	
3.10.0	6	Flat washer		Standard	for M12	
3.11.0	6	Circular saw blade		Buy	type 05 carbide tipped diam. 500 Z 144	
3.12.0	24	Lock Nut		Standard	M8, DIN 6924	
3.13.0	6	Parallel key		Standard	6x	
3.14.0	24	Hex socket screw		Standard	M8x100	
3.15.0	6	Hex bolt		Standard	M8x30	
3.16.0	24	Socket Hex bolt		Standard	M6x30	
3.17.0	24	Socket Hex bolt		Standard	M8x70	
3.18.0	24	Hex Nut		Standard	M8	
3.19.0	40	Plain washer		Standard	For M8	
3.20.0	24	Spring Washer		Standard	Din 127 A8	

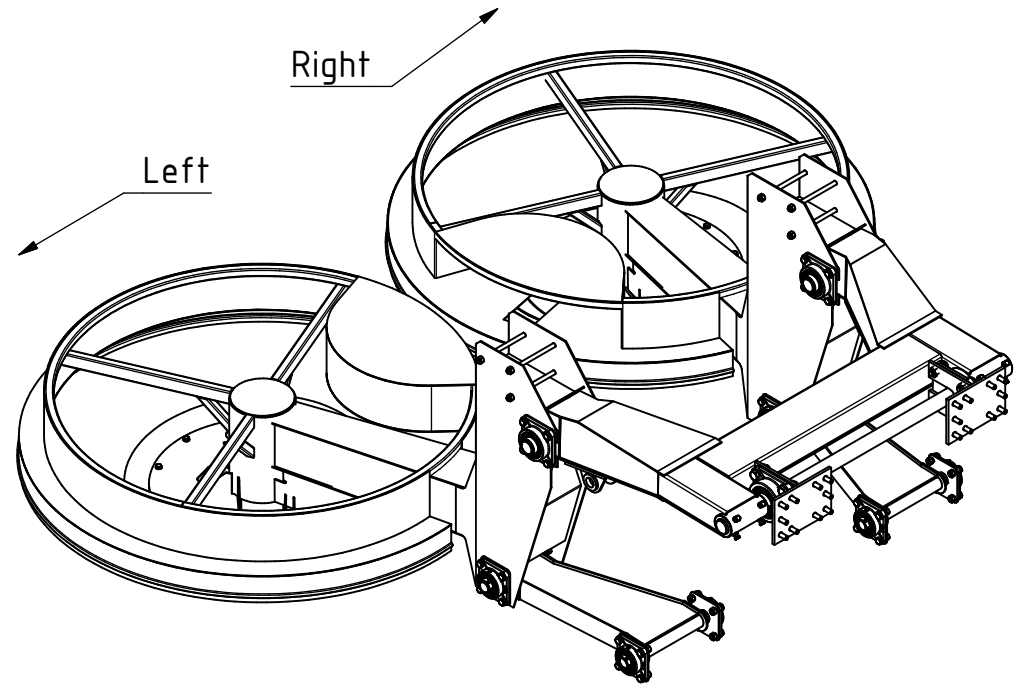
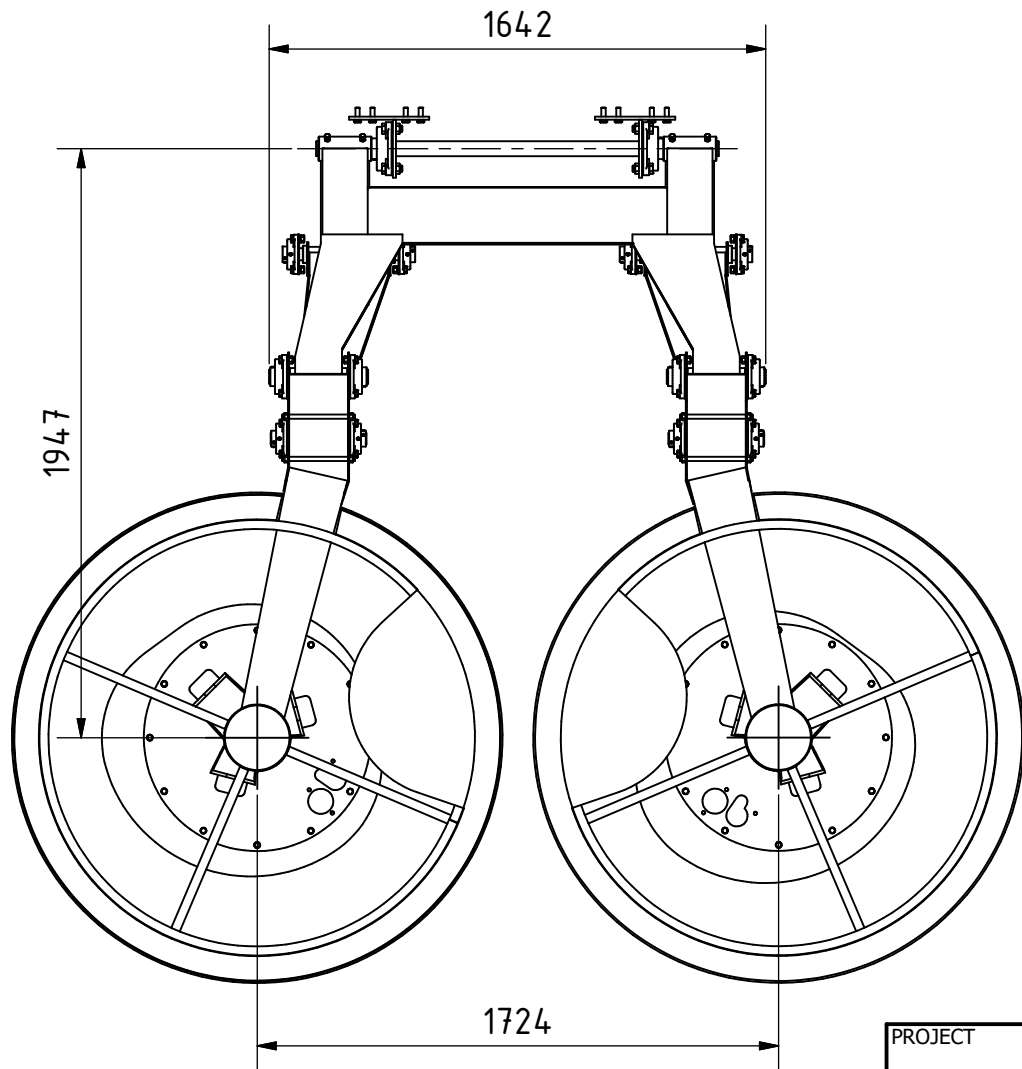
PROJECT		CREATED BY		APPROVED BY		DATE		VERSION	
Vertical Drum Hemp Harvester		A. Morillo		D. Jaeger		12-04-2024		0.05	
PART NAME		SPECIFICACIONES						CODE	
								B7	
DEVELOPED BY		REDESIGNED BY		FILENAME				QTY	
Hanfasser				OHO e.V.					
				LICENSE		DOC. TYPE		SCALE	
				CC-BY-SA 4.0		Parts list		SHEET	
								12 /146	

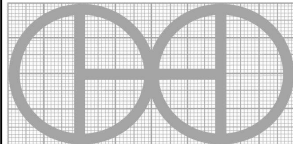


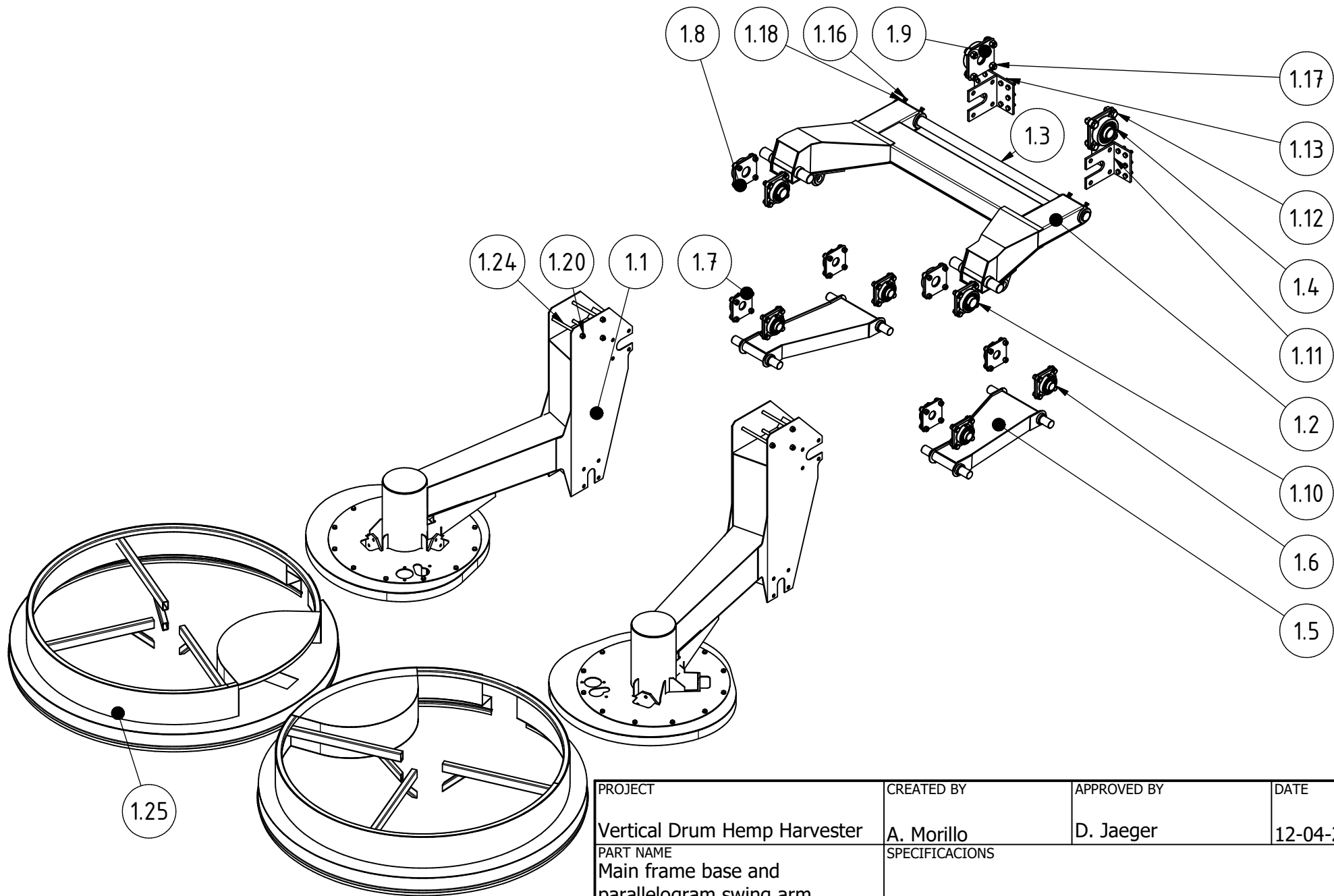
(*)

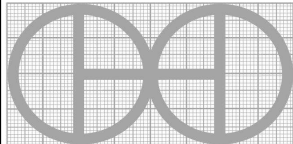
- Some parts from the original catalog were not included here because they were not seen in the existing equipment.
- Other pieces were reorganized in sub-assemblies, to expedite the work with the CAD program (few cases).
- Some parts and assemblies have been adjusted to avoid interference conflicts and to match the received measurements as closely as possible

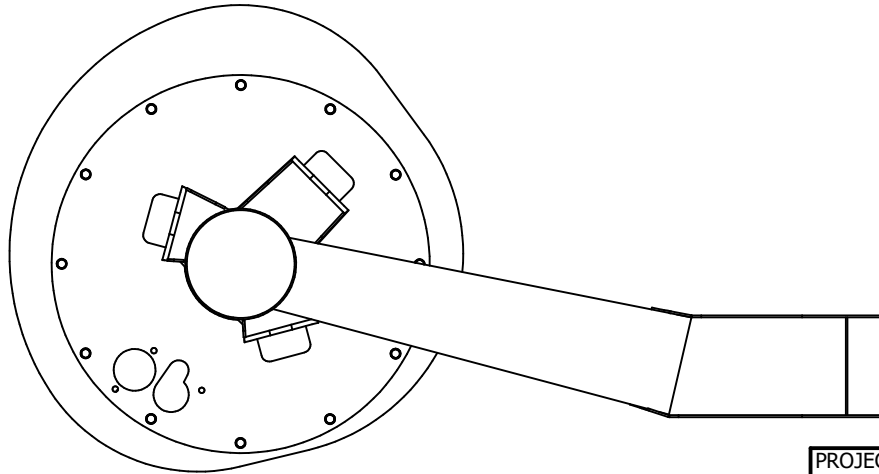
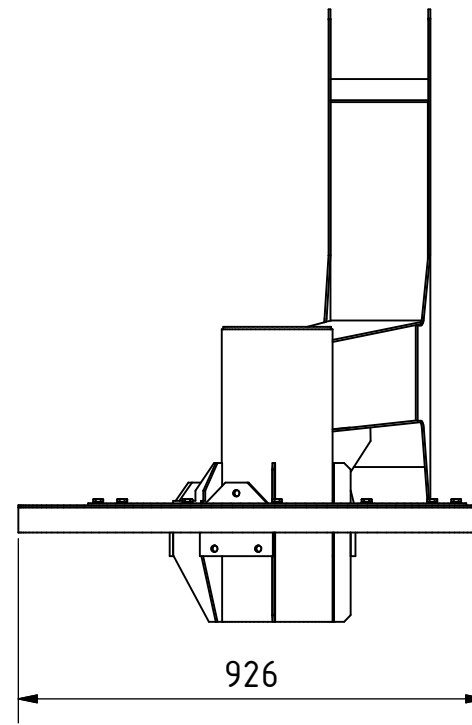
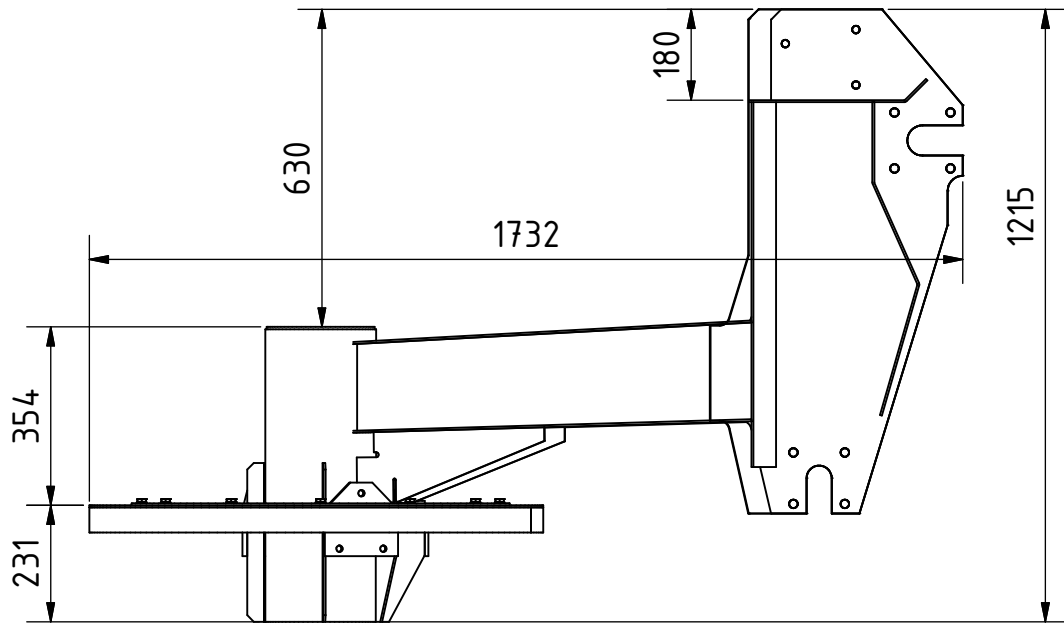
PROJECT	CREATED BY	APPROVED BY	DATE	VERSION
Vertical Drum Hemp Harvester	A. Morillo	D. Jaeger	12-04-2024	0.05
PART NAME	SPECIFICACIONES			CODE
Main frame base and parallelogram swing arm				1.0.0
DEVELOPED BY	REDESIGNED BY	FILENAME		QTY
		1.iam		1
		LICENSE	DOC. TYPE	SHEET
		CC-BY-SA 4.0	Assembly	13 /146
Hanfasser			OHO e.V.	SCALE
				1 : 25

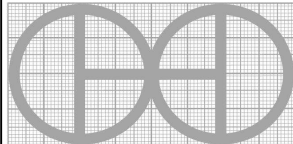


PROJECT	CREATED BY	APPROVED BY	DATE	VERSION
Vertical Drum Hemp Harvester	A. Morillo	D. Jaeger	12-04-2024	0.05
PART NAME	SPECIFICACIONES			CODE
Main frame base and parallelogram swing arm				1.0.0
DEVELOPED BY	REDESIGNED BY	FILENAME	QTY	
		1.iam	1	
		LICENSE	DOC. TYPE	SCALE
Hanfasser		CC-BY-SA 4.0	Assembly	1 : 25
				SHEET
				14 / 146

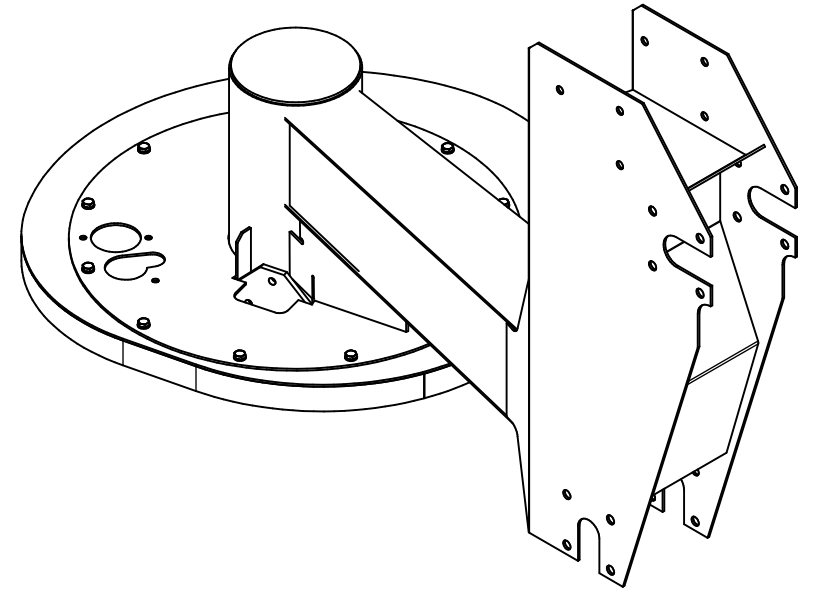
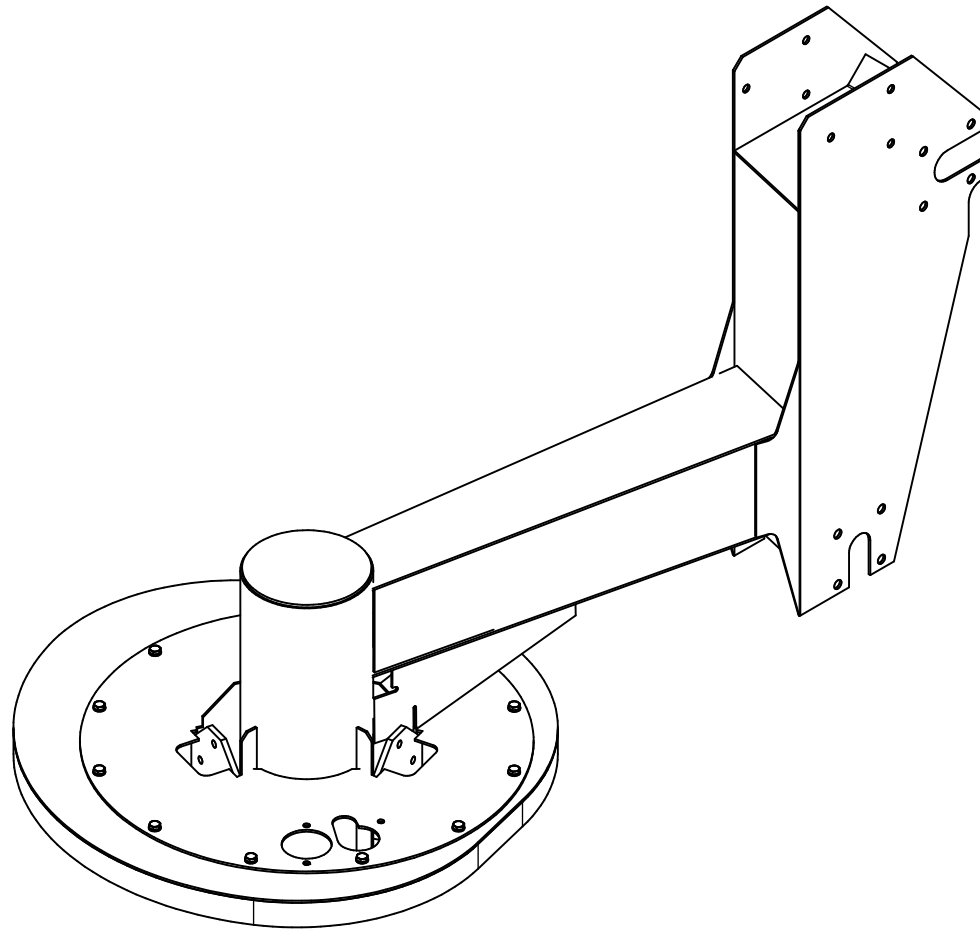


PROJECT		CREATED BY		APPROVED BY		DATE		VERSION	
Vertical Drum Hemp Harvester		A. Morillo		D. Jaeger		12-04-2024		0.05	
PART NAME		SPECIFICACIONES						CODE	
Main frame base and parallelogram swing arm								1.0.0	
DEVELOPED BY		REDESIGNED BY		FILENAME		QTY			
Hanfasser				1.iam		1			
		OHO e.V.		LICENSE		DOC. TYPE		SCALE	
				CC-BY-SA 4.0		Assembly		1 : 25	
								15 /146	

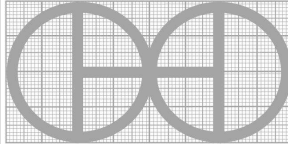


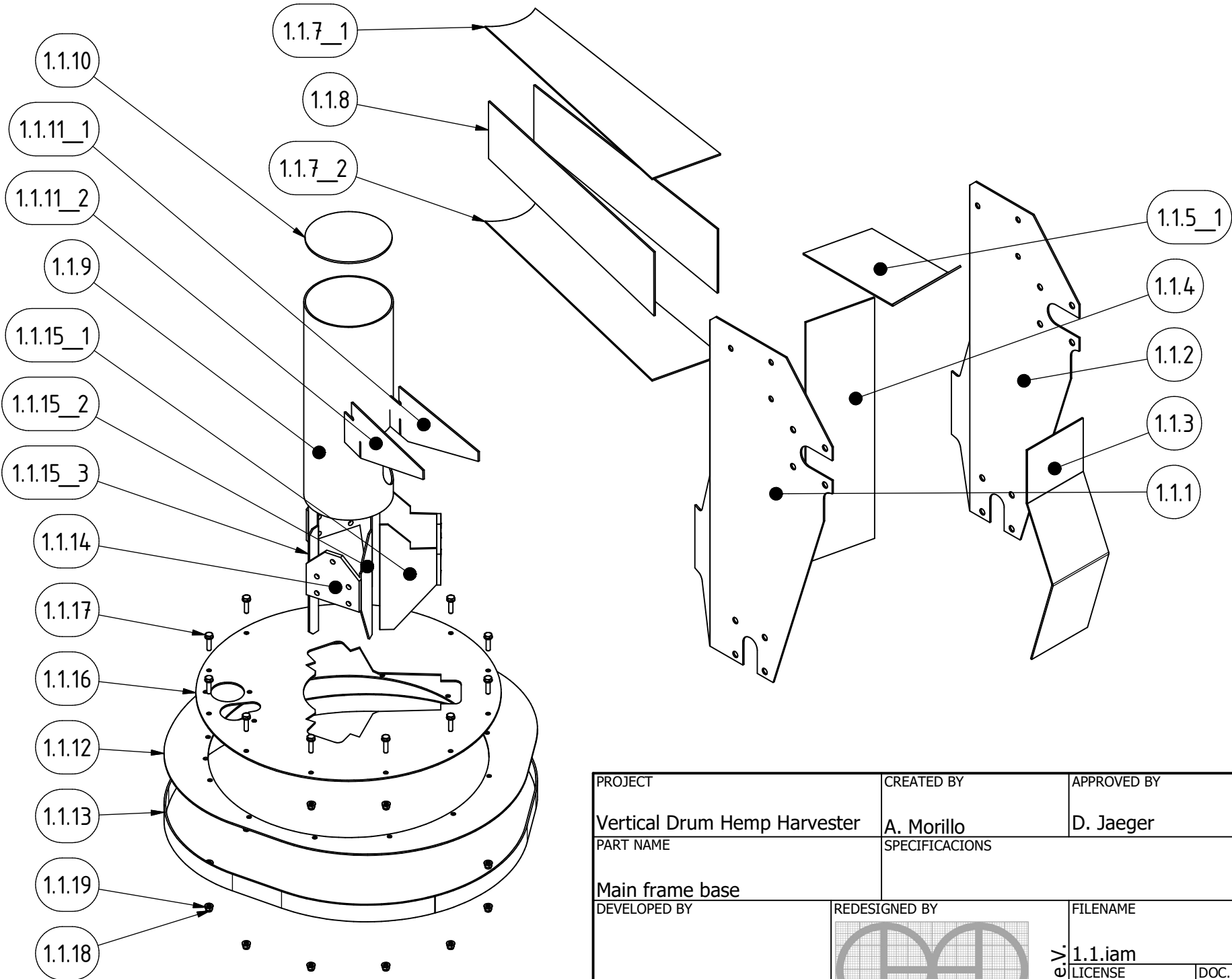
PROJECT	CREATED BY	APPROVED BY	DATE	VERSION
Vertical Drum Hemp Harvester	A. Morillo	D. Jaeger	12-04-2024	0.05
PART NAME	SPECIFICACIONES			CODE
Main frame base				1.1.0
DEVELOPED BY	REDESIGNED BY	FILENAME		QTY
		1.1.iam		2
		LICENSE	DOC. TYPE	SCALE
Handfasser		CC-BY-SA 4.0	Assembly	1 : 15
				SHEET
				16 /146

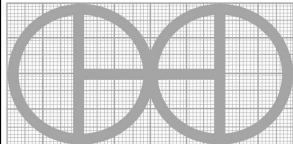
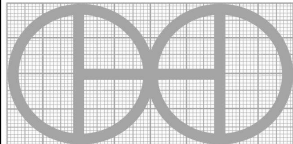
OHO e.V.

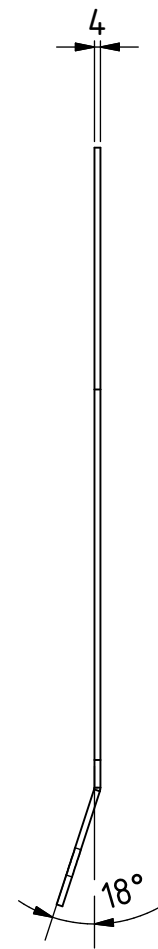
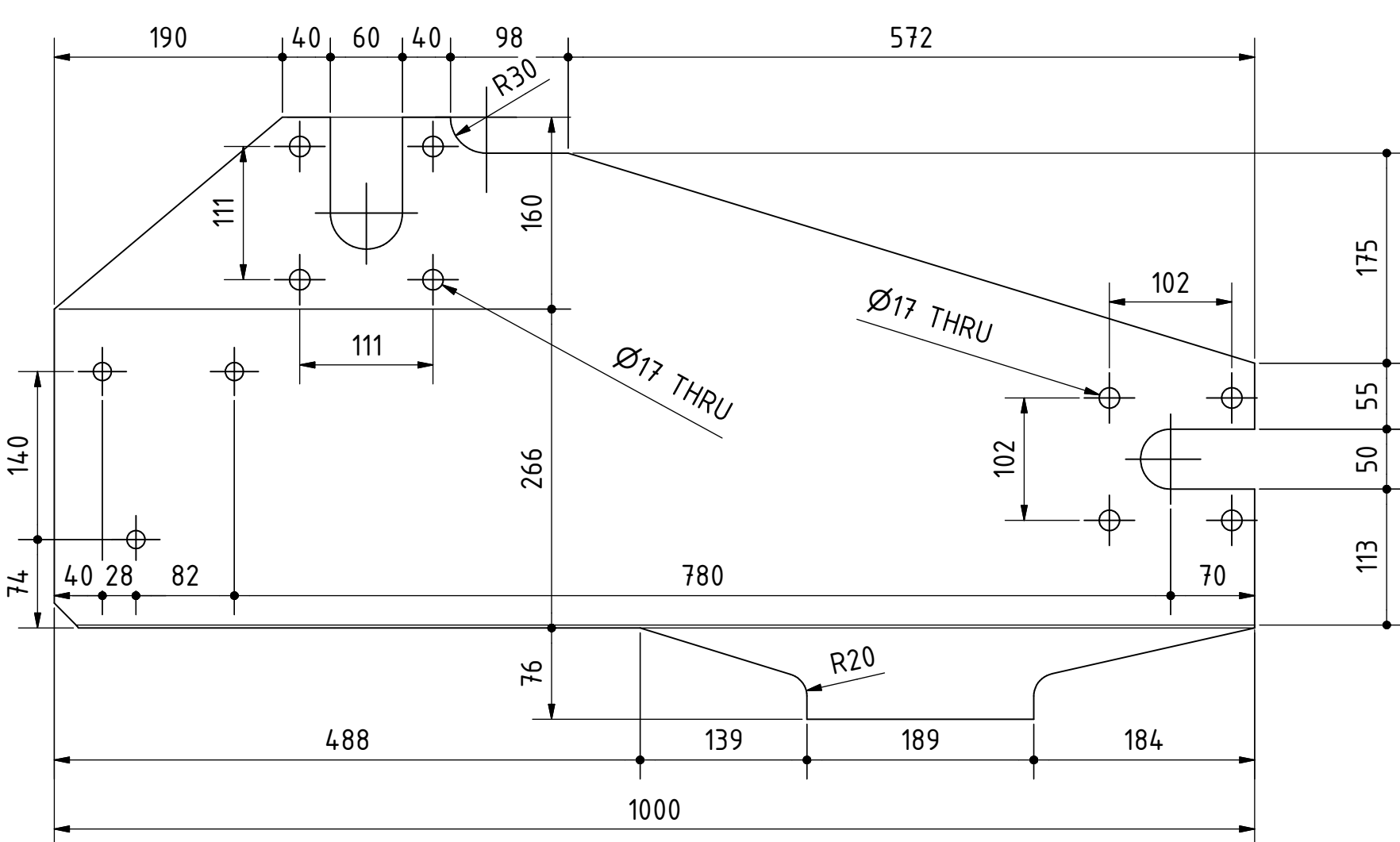


Symmetrical set

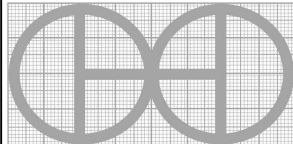
PROJECT	CREATED BY	APPROVED BY	DATE	VERSION
Vertical Drum Hemp Harvester	A. Morillo	D. Jaeger	12-04-2024	0.05
PART NAME	SPECIFICACIONES			CODE
Main frame base				1.1.0
DEVELOPED BY	REDESIGNED BY	FILENAME		QTY
		1.1.iam		2
Hanfasser		LICENSE	DOC. TYPE	SCALE
		CC-BY-SA 4.0	Assembly	1 : 15
				SHEET
				17 /146



PROJECT		CREATED BY		APPROVED BY		DATE		VERSION		
Vertical Drum Hemp Harvester		A. Morillo		D. Jaeger		12-04-2024		0.05		
PART NAME				SPECIFICACIONES				CODE		
Main frame base								1.1.0		
DEVELOPED BY			REDESIGNED BY			FILENAME			QTY	
Hanfasser						OHO e.V. 1.1.iam			2	
						LICENSE		DOC. TYPE	SCALE	SHEET
						CC-BY-SA 4.0		Assembly	2:25	18 /146

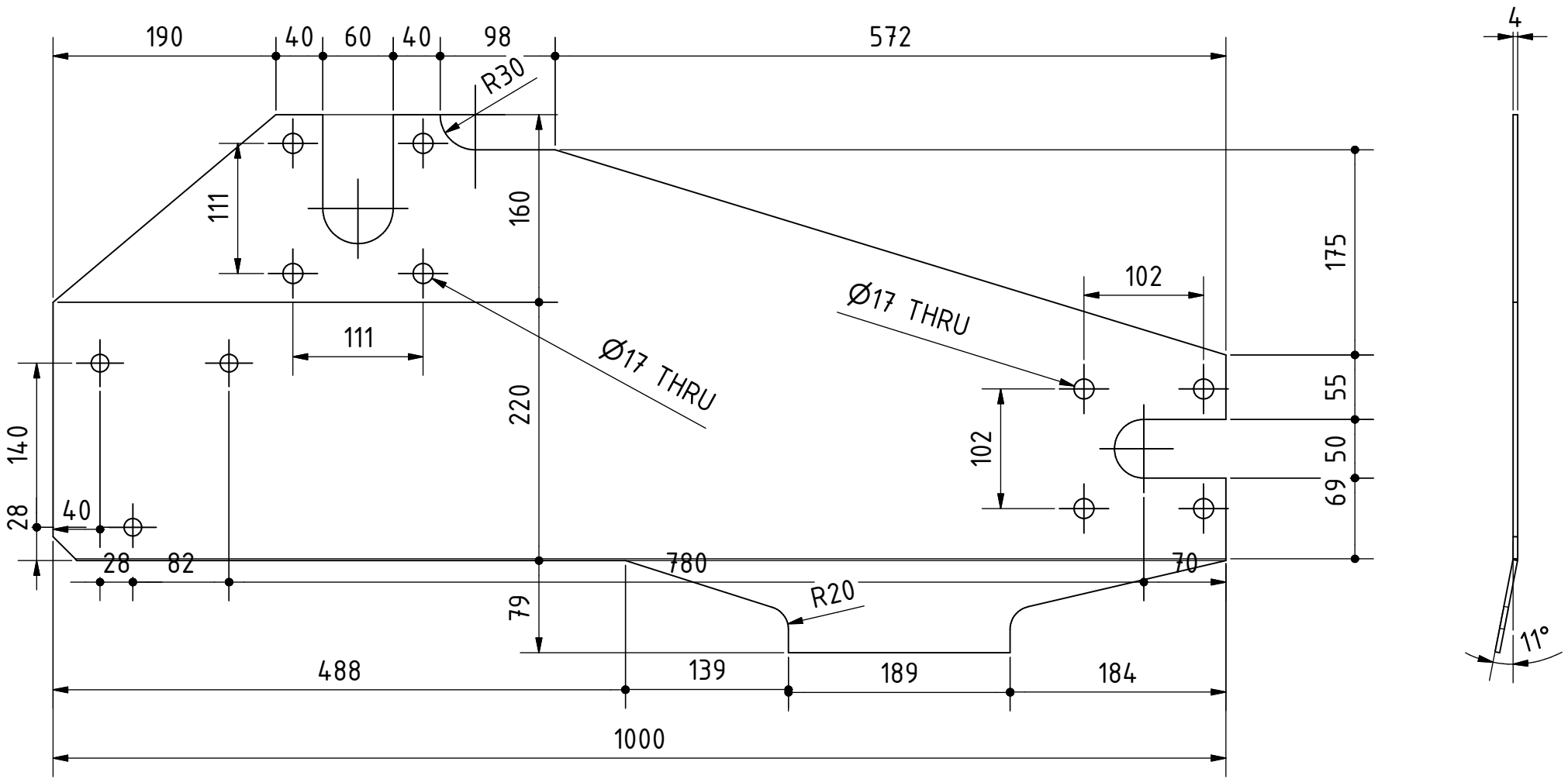


Symmetrical item

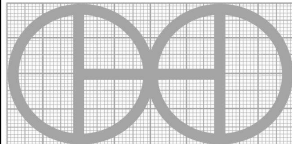
PROJECT	CREATED BY	APPROVED BY	DATE	VERSION
Vertical Drum Hemp Harvester	A. Morillo	D. Jaeger	12-04-2024	0.05
PART NAME	SPECIFICACIONES			CODE
Part 1.1.1	Steel 235J2			1.1.1
DEVELOPED BY	REDESIGNED BY	FILENAME	QTY	
		1.1.1.ipt	2	
Hanfasser		LICENSE	DOC. TYPE	SHEET
		CC-BY-SA 4.0	Part	19 / 146

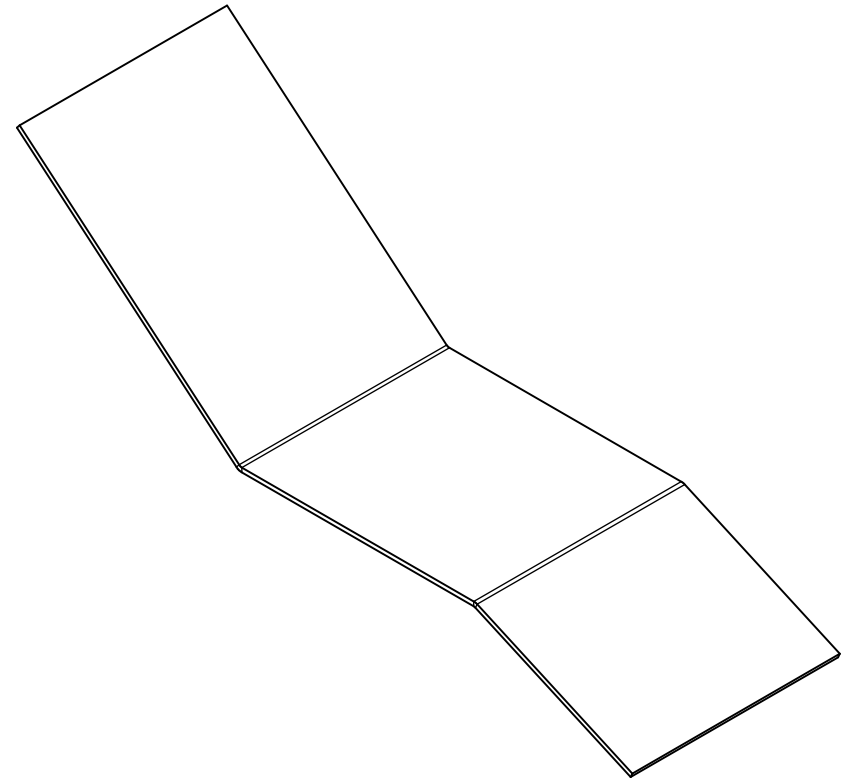
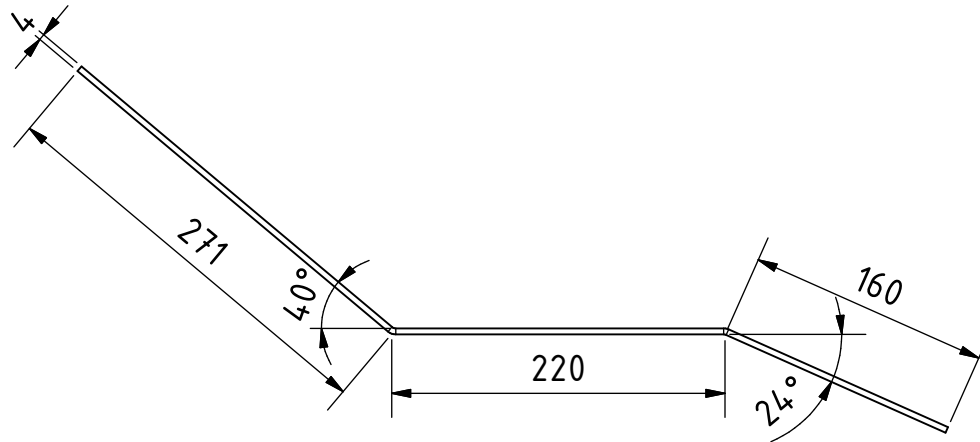
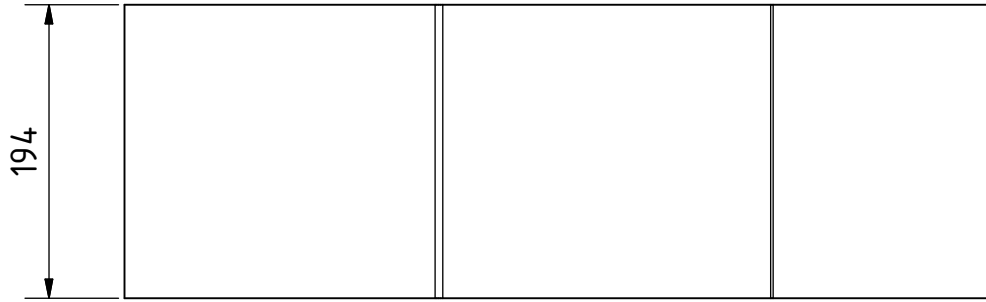
OHO e.V.

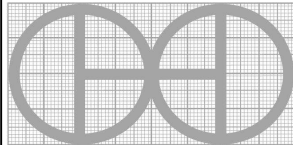
1 : 5

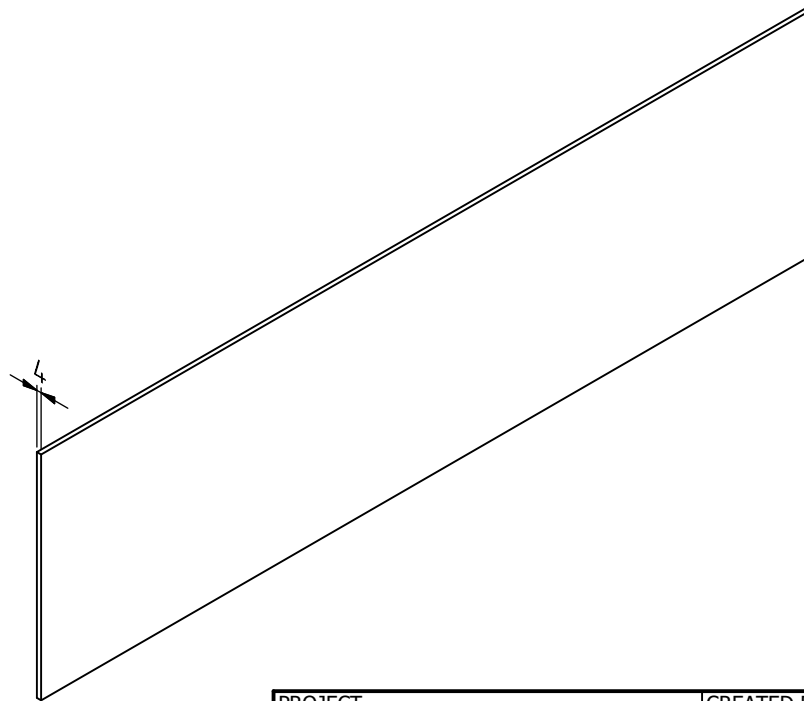
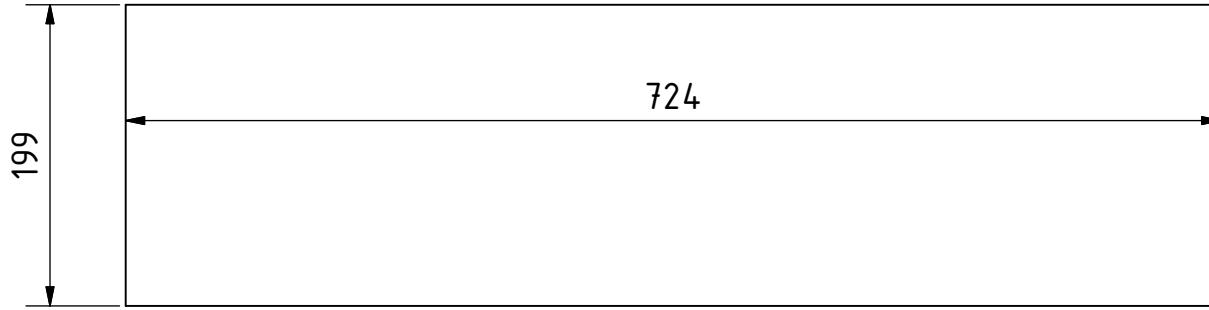


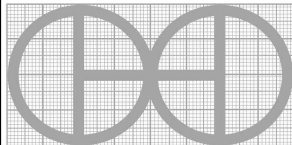
Symmetrical item

PROJECT		CREATED BY		APPROVED BY		DATE		VERSION	
Vertical Drum Hemp Harvester		A. Morillo		D. Jaeger		12-04-2024		0.05	
PART NAME				SPECIFICACIONES				CODE	
Part 1.1.2				Steel 235J2				1.1.2	
DEVELOPED BY			REDESIGNED BY			FILENAME			QTY
Hanfasser						1.1.1.ipt			2
LICENSE		DOC. TYPE		SCALE		SHEET			
CC-BY-SA 4.0		Part		1 : 5		20 /146			

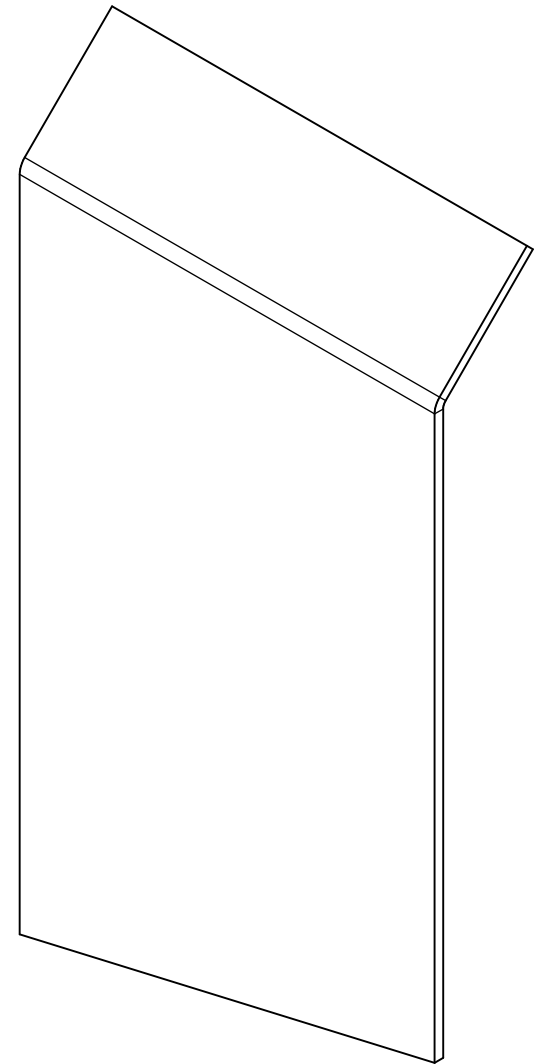
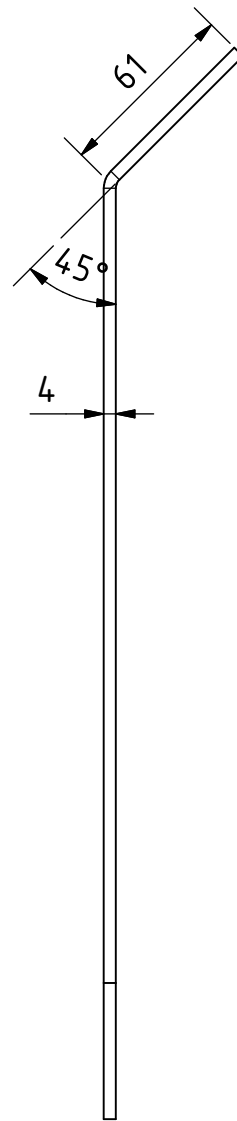
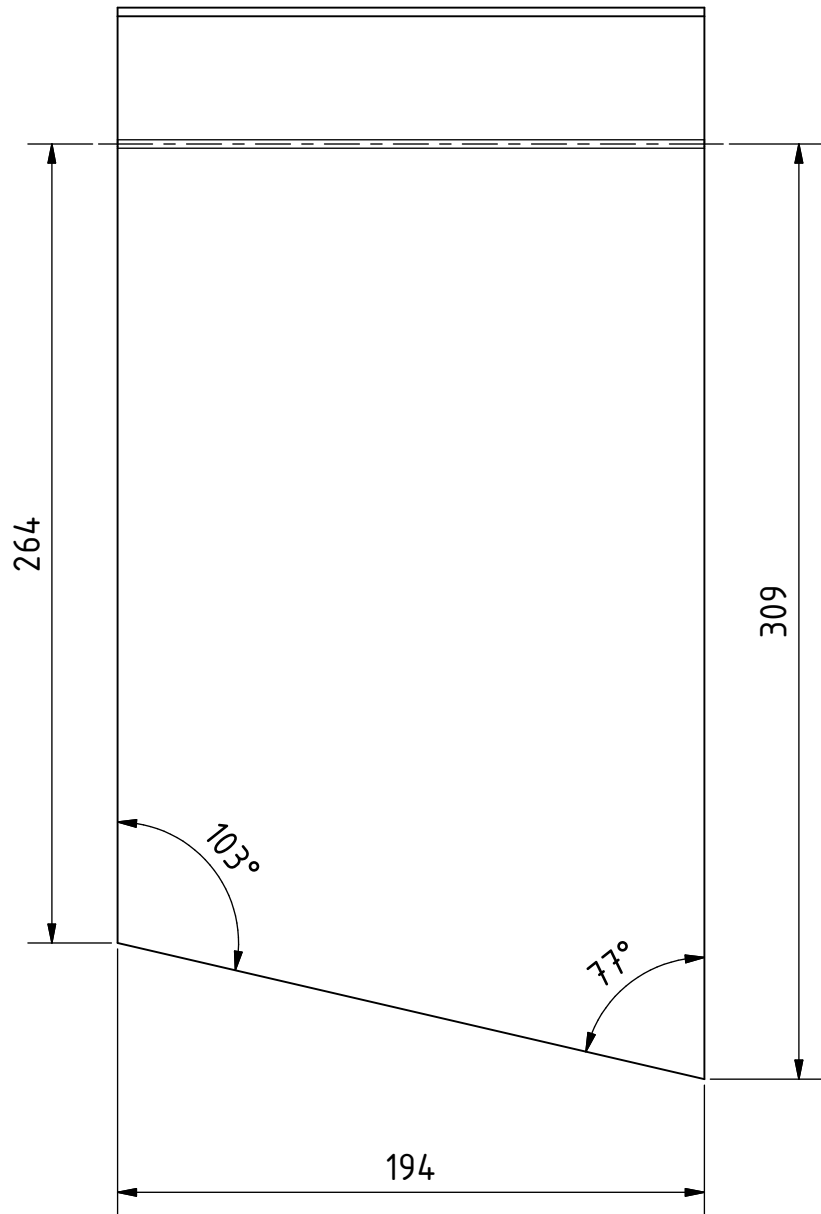


PROJECT	CREATED BY	APPROVED BY	DATE	VERSION	
Vertical Drum Hemp Harvester	A. Morillo	D. Jaeger	12-04-2024	0.05	
PART NAME	SPECIFICACIONES			CODE	
Part 1.1.3	Steel 235J2			1.1.3	
DEVELOPED BY	REDESIGNED BY	FILENAME		QTY	
Hanfasser		1.1.3.ipt		2	
		LICENSE	DOC. TYPE	SCALE	SHEET
		CC-BY-SA 4.0	Part	1 : 5	21 / 146

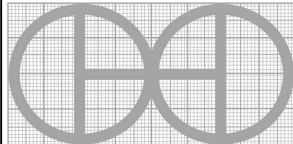


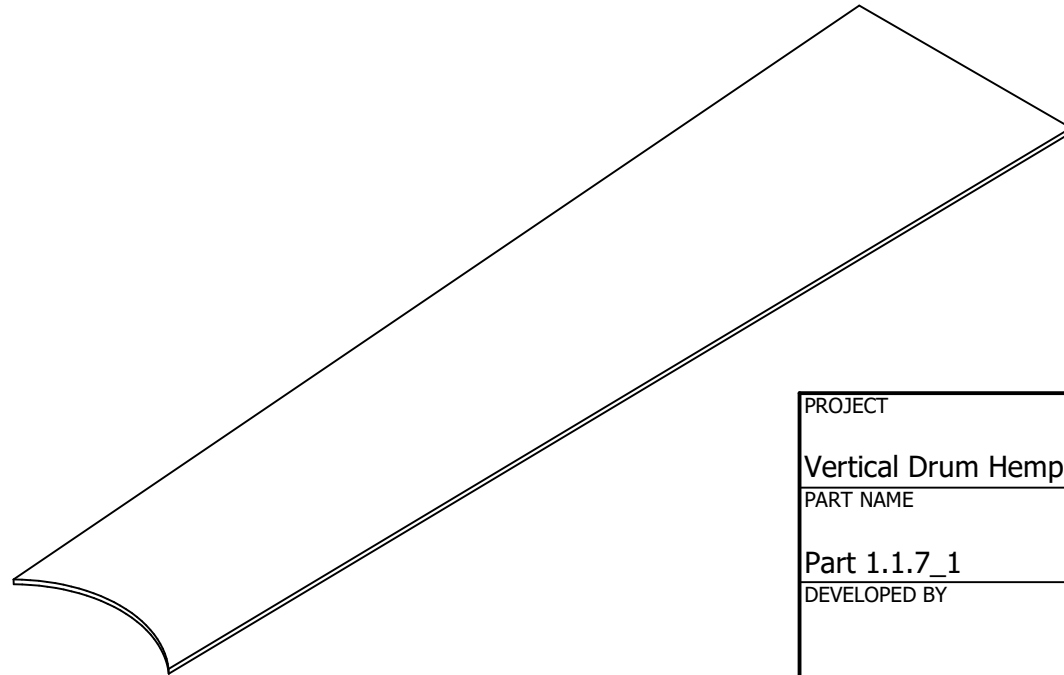
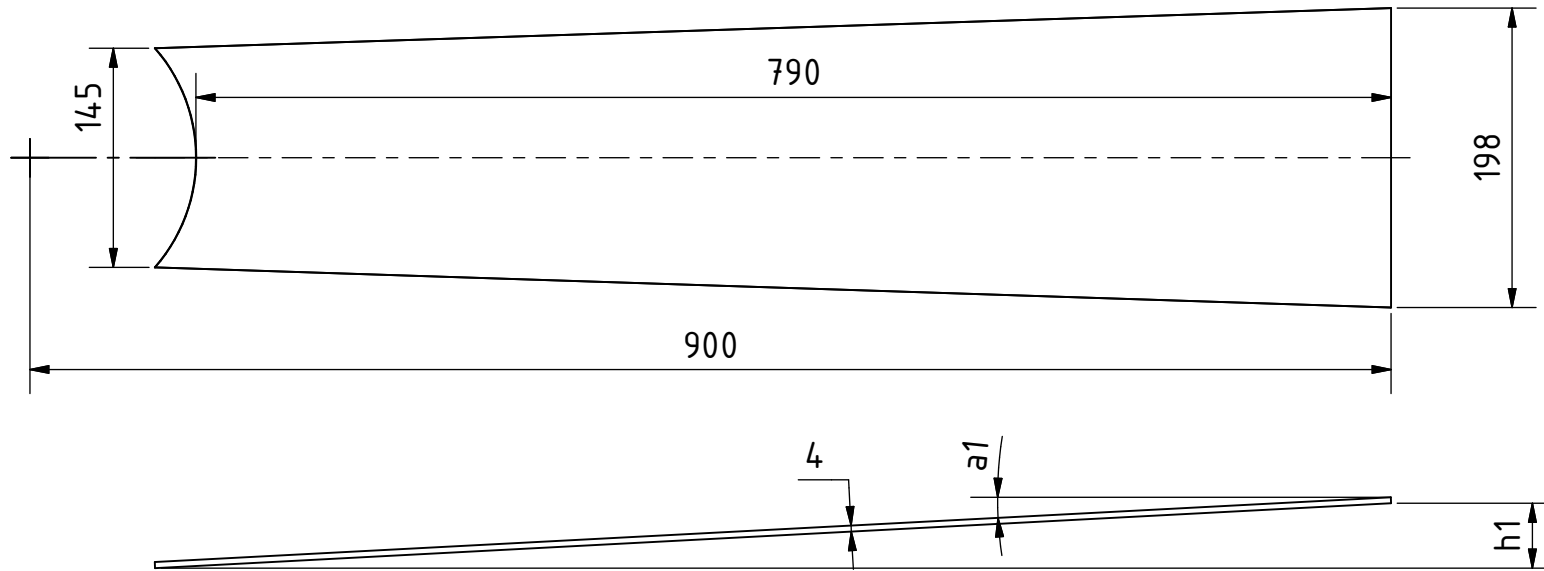
PROJECT	CREATED BY	APPROVED BY	DATE	VERSION	
Vertical Drum Hemp Harvester	A. Morillo	D. Jaeger	12-04-2024	0.05	
PART NAME	SPECIFICACIONES			CODE	
Part 1.1.4	Steel 235J2			1.1.4	
DEVELOPED BY	REDESIGNED BY	FILENAME		QTY	
Hanfasser		1.1.4.ipt		2	
		LICENSE	DOC. TYPE	SCALE	SHEET
		CC-BY-SA 4.0	Part	1 : 5	22 /146

OHO e.V.

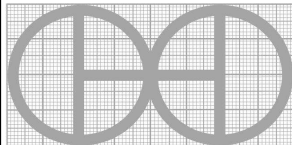


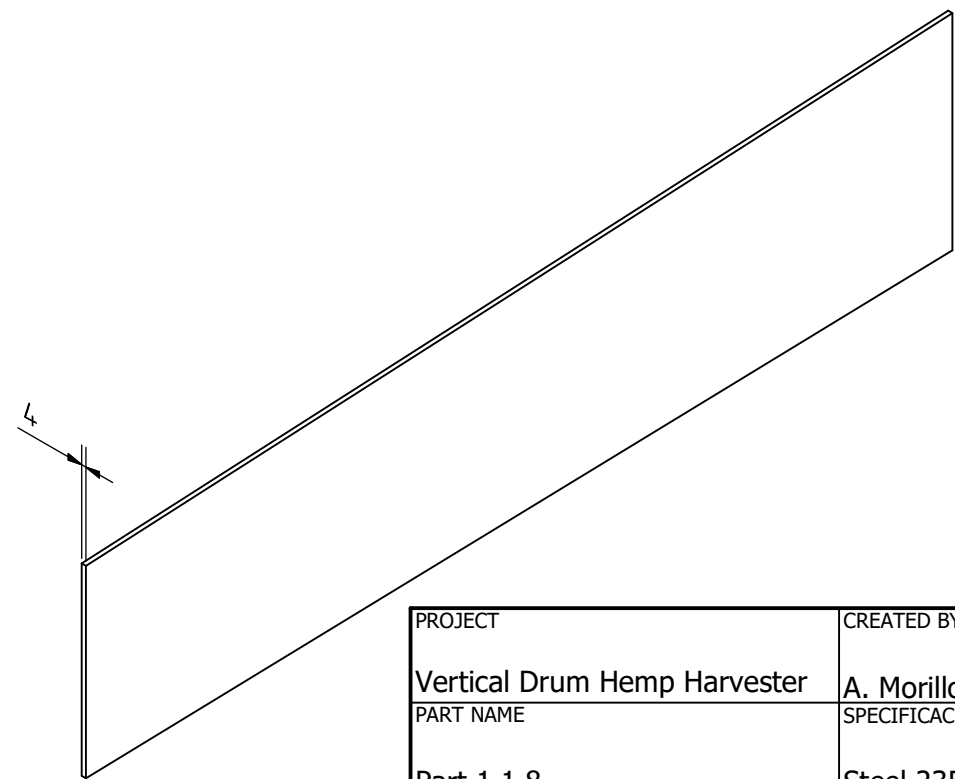
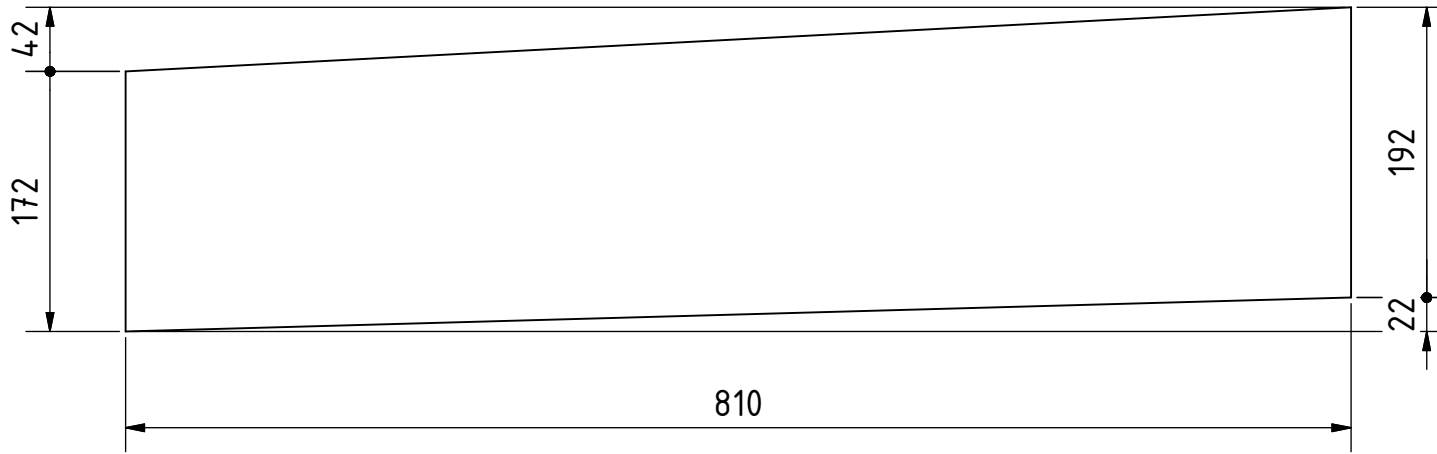
Symmetrical item

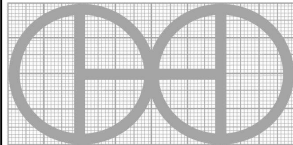
PROJECT	CREATED BY	APPROVED BY	DATE	VERSION	
Vertical Drum Hemp Harvester	A. Morillo	D. Jaeger	12-04-2024	0.05	
PART NAME	SPECIFICACIONES			CODE	
Part 1.1.5	Steel 235J2			1.1.5	
DEVELOPED BY	REDESIGNED BY	FILENAME		QTY	
Hanfasser		1.1.5.ipt		2	
		LICENSE	DOC. TYPE	SCALE	SHEET
		CC-BY-SA 4.0	Part	2:5	23 /146



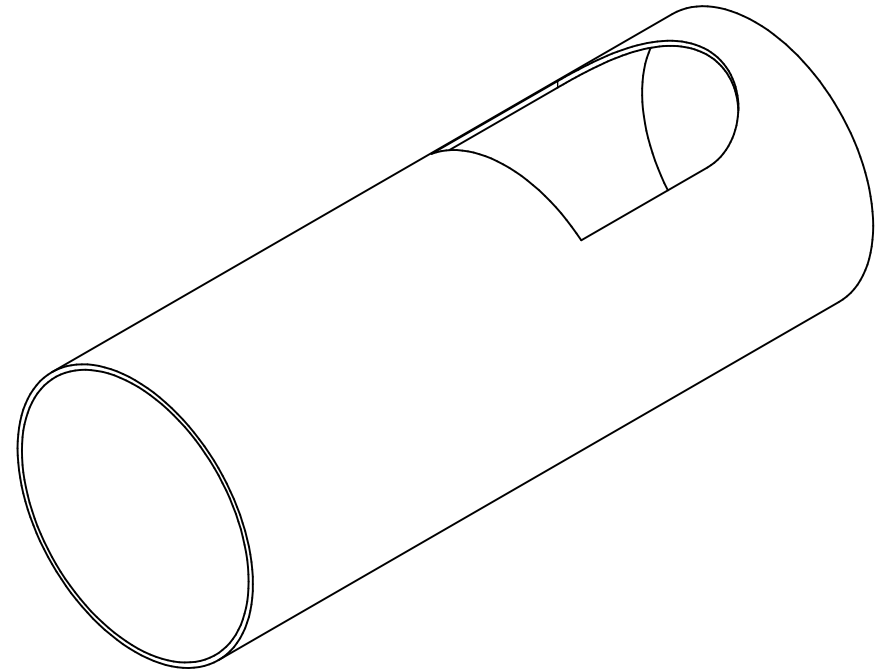
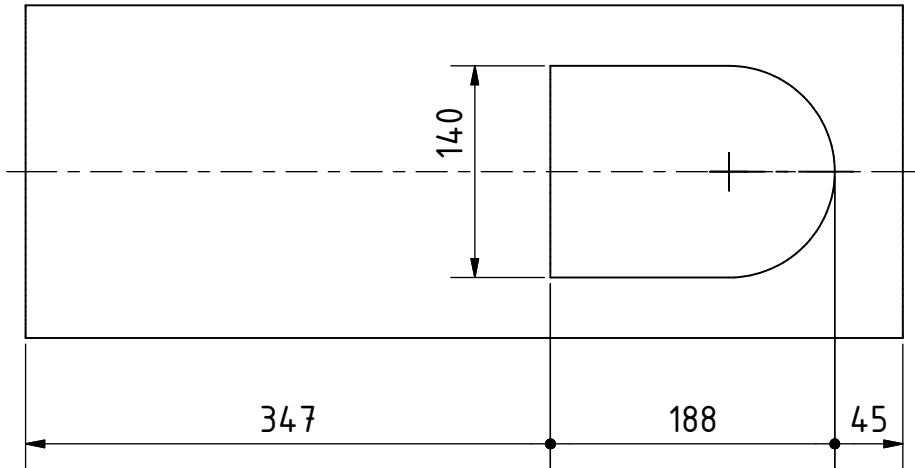
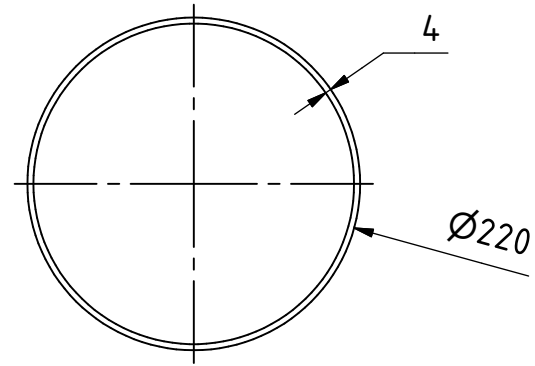
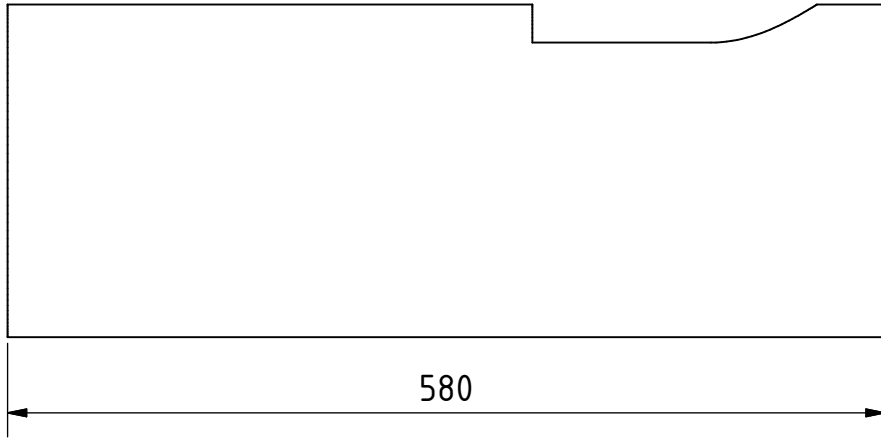
Size table		
Pos	a1	h1
1.1.7_1	3°	43mm
1.1.7_2	2°	22.7mm

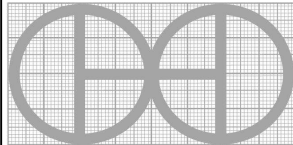
PROJECT	CREATED BY	APPROVED BY	DATE	VERSION	
Vertical Drum Hemp Harvester	A. Morillo	D. Jaeger	12-04-2024	0.05	
PART NAME	SPECIFICACIONES			CODE	
Part 1.1.7_1	Steel 235J2			1.1.7	
DEVELOPED BY	REDESIGNED BY	FILENAME		QTY	
Hanfasser		1.1.7_A.ipt		2	
		LICENSE	DOC. TYPE	SCALE	SHEET
		CC-BY-SA 4.0	Part	1:5	24 /146



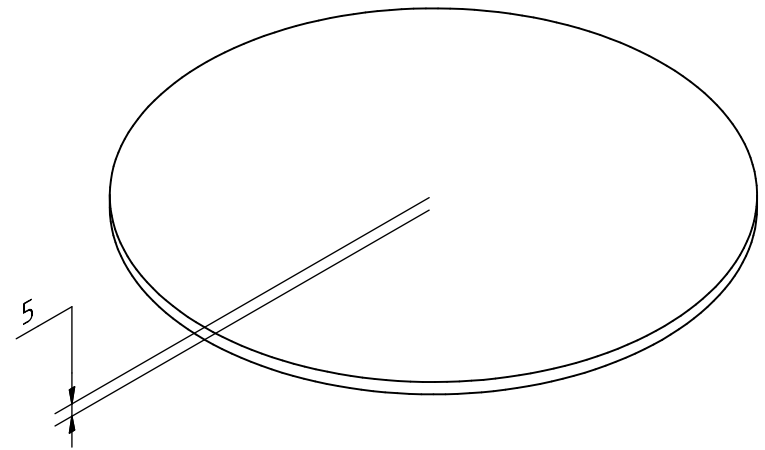
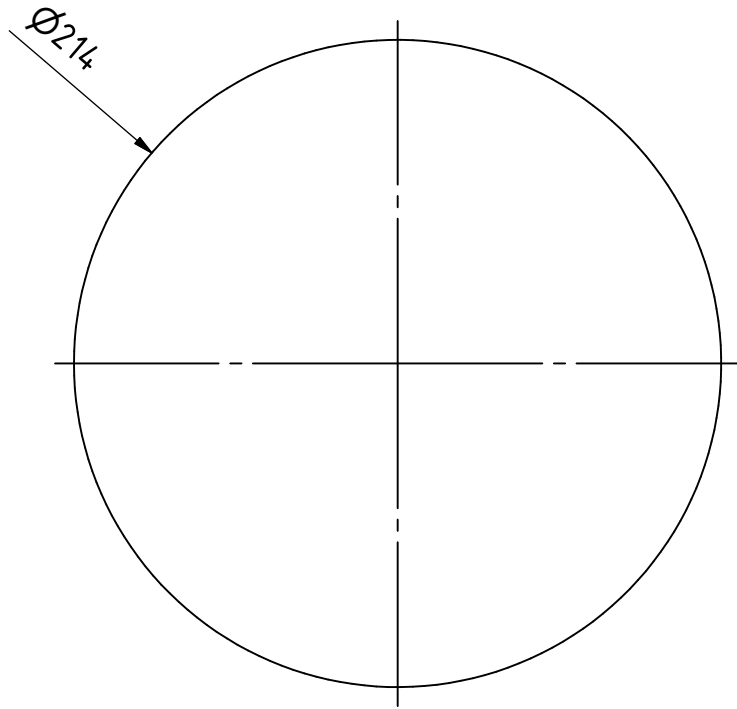
PROJECT	CREATED BY	APPROVED BY	DATE	VERSION	
Vertical Drum Hemp Harvester	A. Morillo	D. Jaeger	12-04-2024	0.05	
PART NAME	SPECIFICACIONES			CODE	
Part 1.1.8	Steel 235J2			1.1.8	
DEVELOPED BY	REDESIGNED BY	FILENAME		QTY	
Hanfasser		1.1.8.ipt		4	
		LICENSE	DOC. TYPE	SCALE	SHEET
		CC-BY-SA 4.0	Part	1:5	25 /146

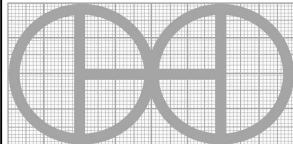
OHO e.V.



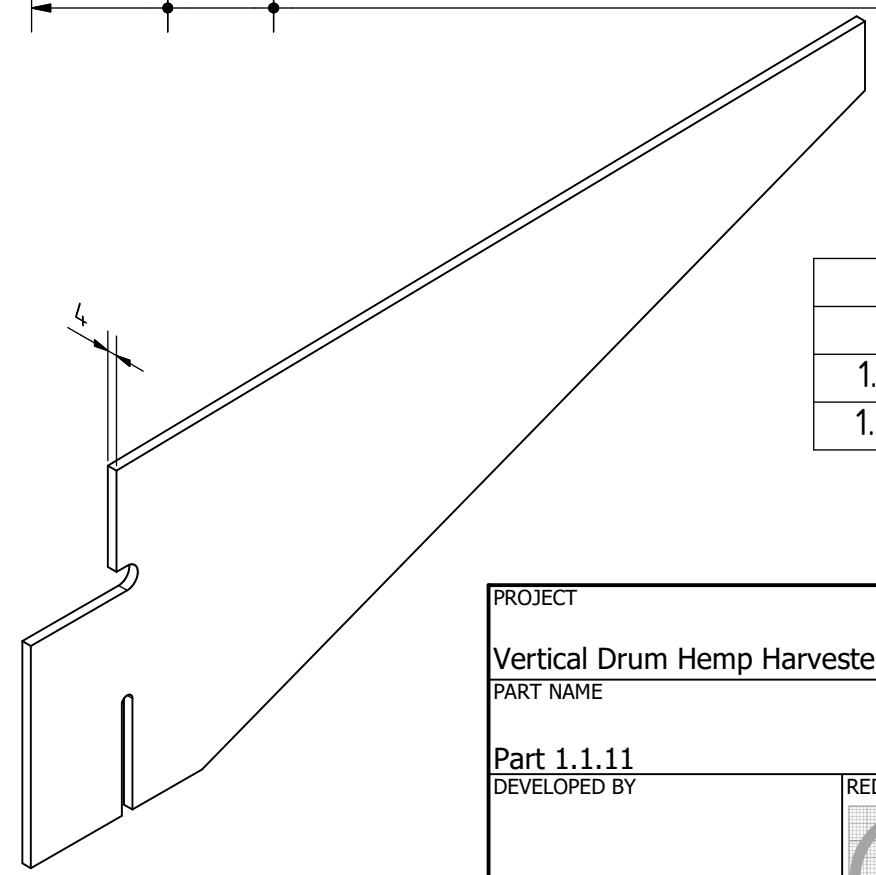
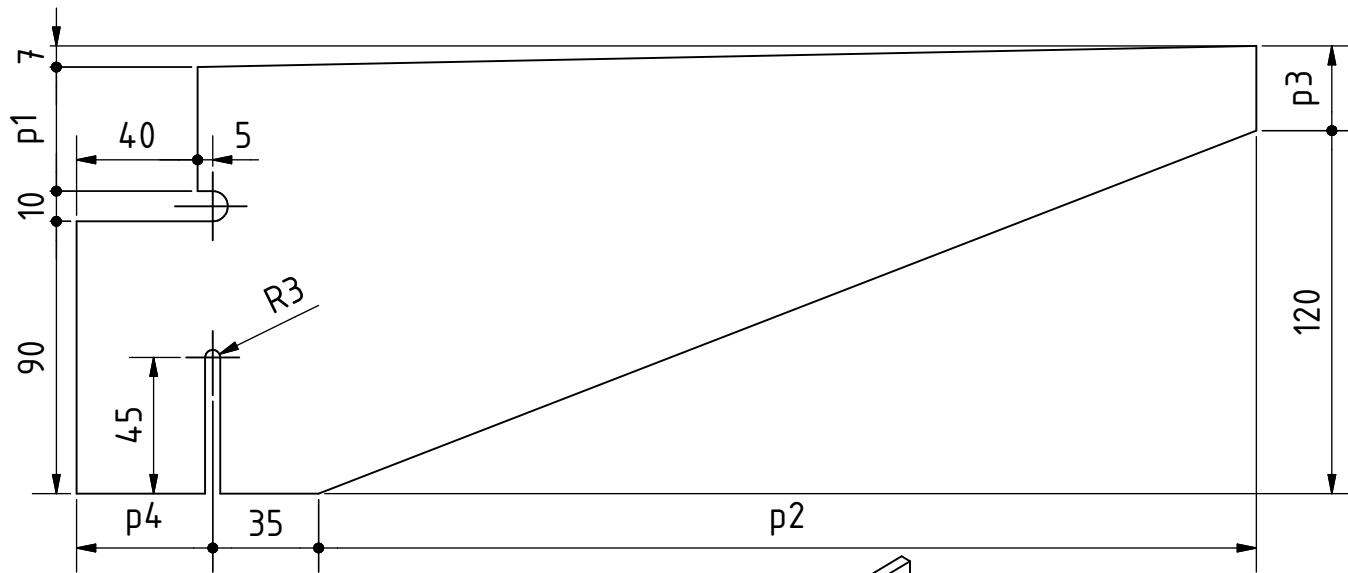
PROJECT	CREATED BY	APPROVED BY	DATE	VERSION
Vertical Drum Hemp Harvester	A. Morillo	D. Jaeger	12-04-2024	0.05
PART NAME	SPECIFICACIONES			CODE
Part 1.1.9	Steel 235J2			1.1.9
DEVELOPED BY	REDESIGNED BY	FILENAME		QTY
		1.1.9.ipt		2
Hanfasser		LICENSE	DOC. TYPE	SHEET
		CC-BY-SA 4.0	Part	26 / 146

OHO e.V.

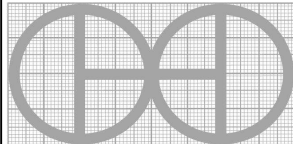


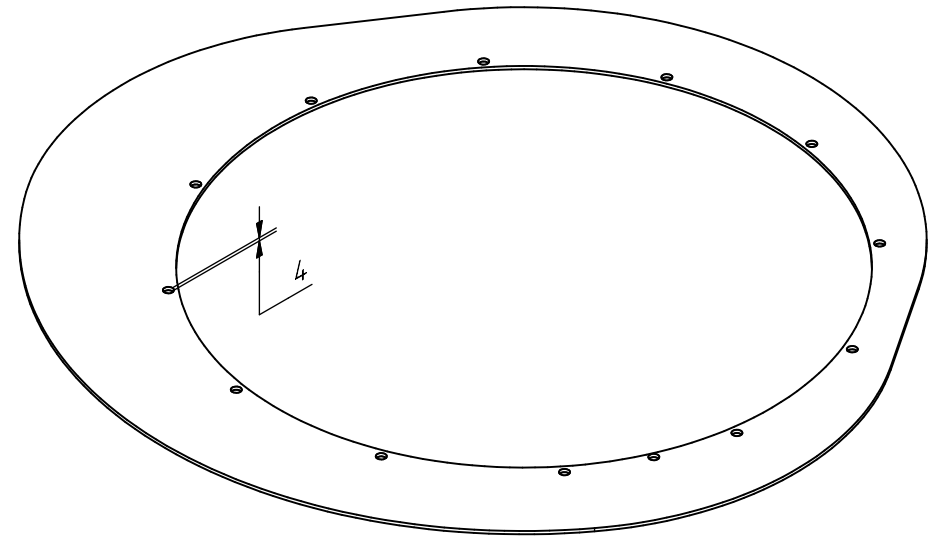
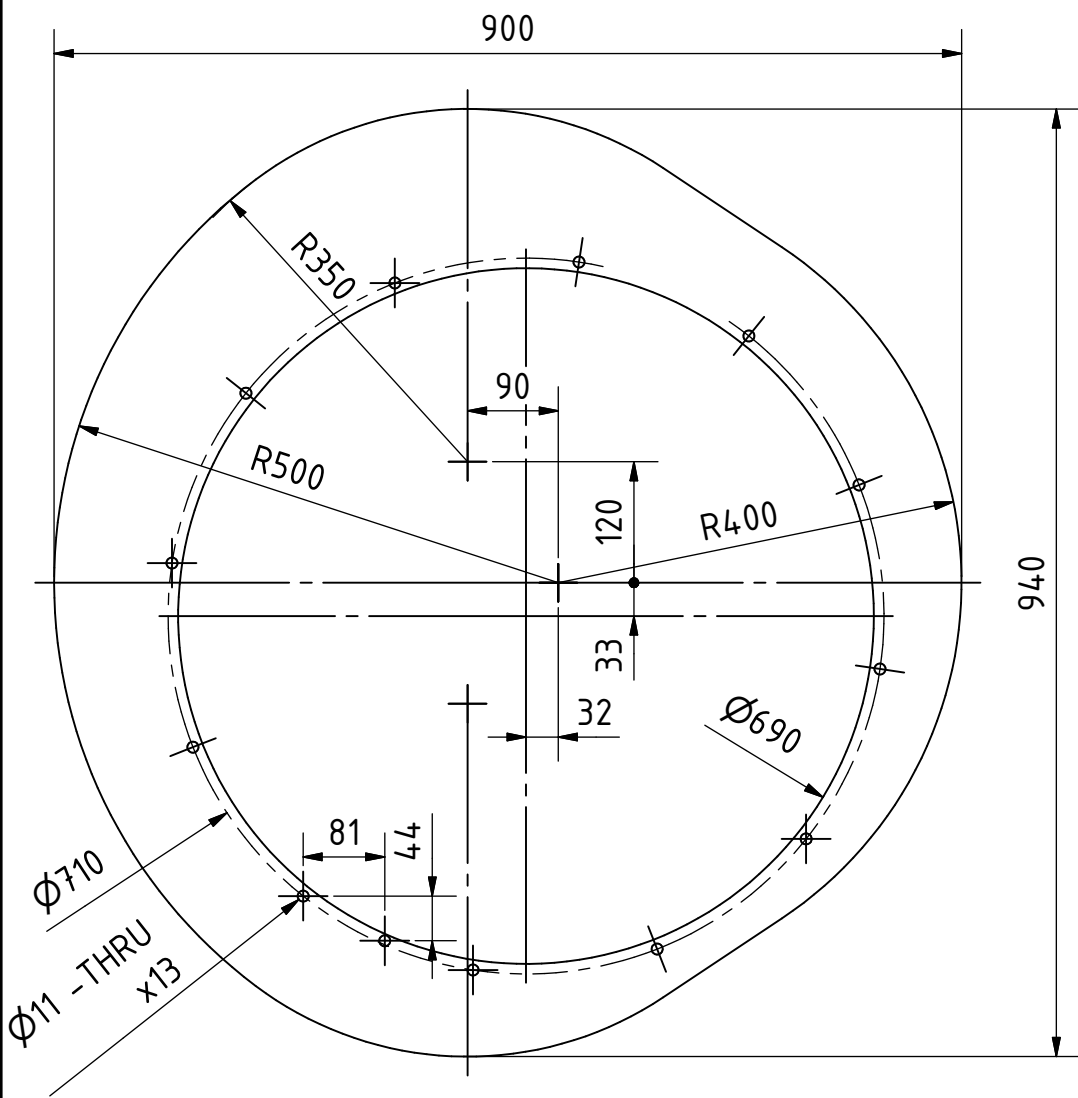
PROJECT	CREATED BY	APPROVED BY	DATE	VERSION	
Vertical Drum Hemp Harvester	A. Morillo	D. Jaeger	12-04-2024	0.05	
PART NAME	SPECIFICACIONES			CODE	
Part 1.1.10	Steel 235J2			1.1.10	
DEVELOPED BY	REDESIGNED BY	FILENAME		QTY	
Hanfasser		1.1.10.ipt		2	
		LICENSE	DOC. TYPE	SCALE	SHEET
		CC-BY-SA 4.0	Part	2 : 5	27 / 146

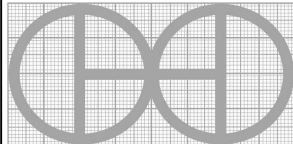
OHO e.V.



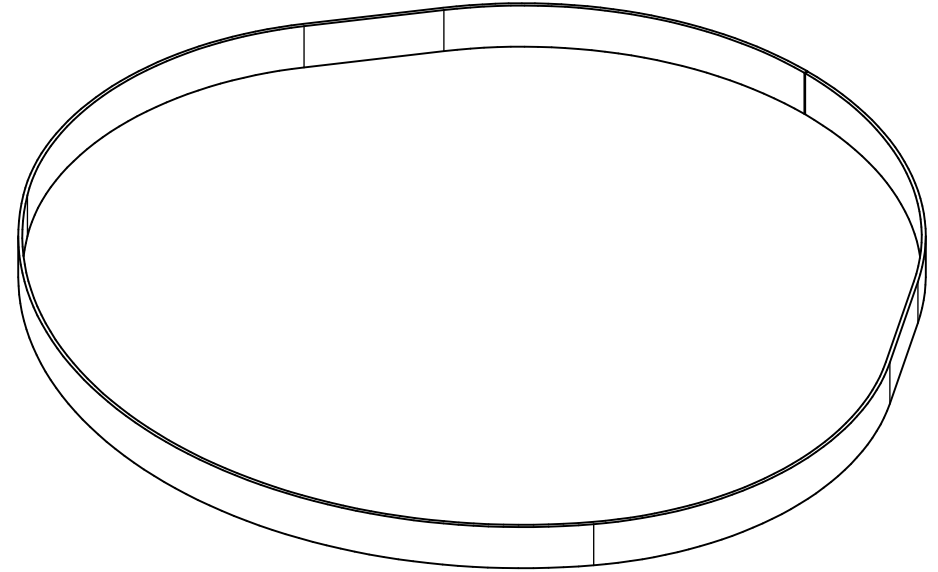
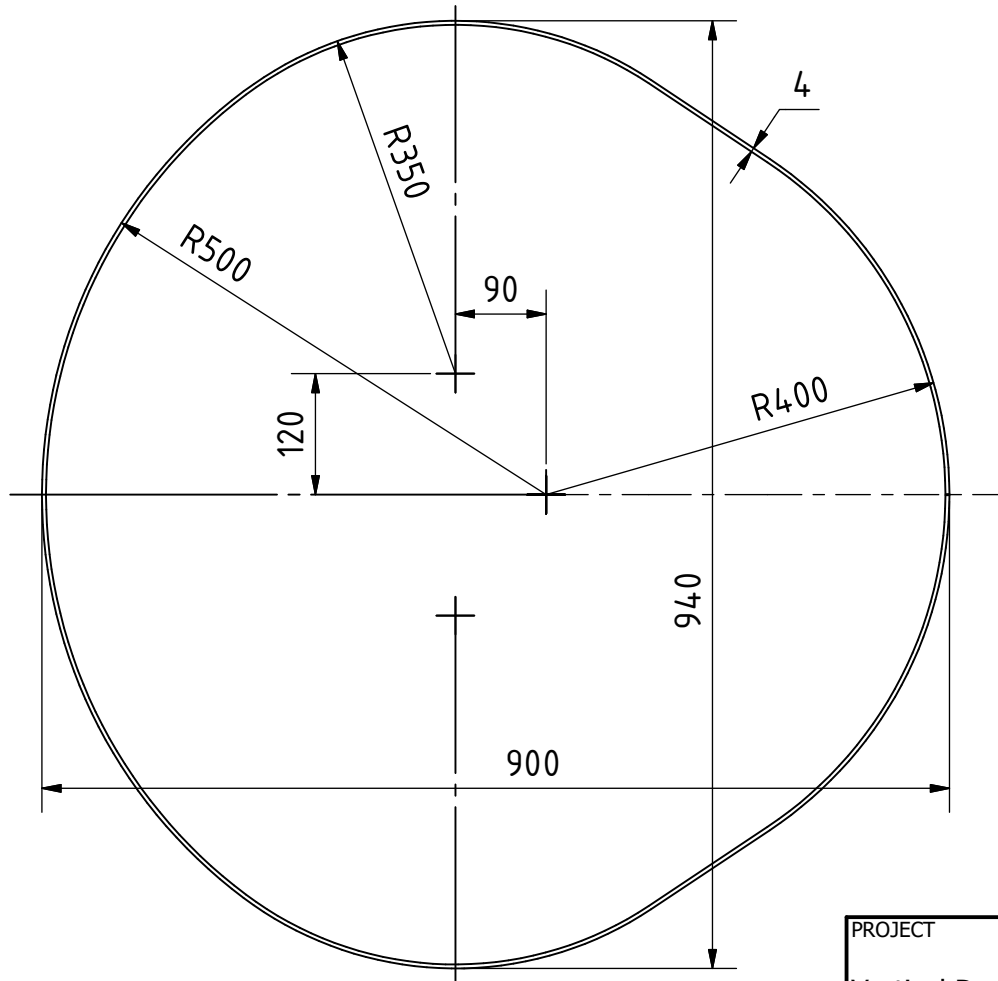
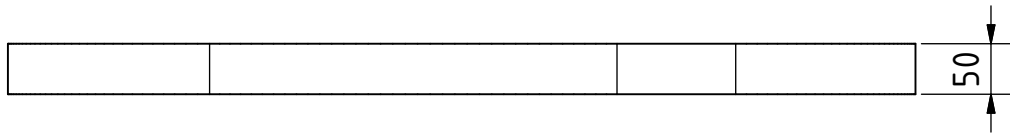
Size table				
Pos	p1	p2	p3	p4
1.1.11_1	41 mm	310 mm	28 mm	45 mm
1.1.11_2	40 mm	305 mm	27 mm	77 mm

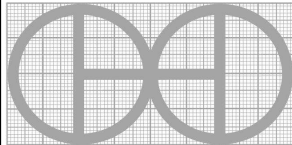
PROJECT	CREATED BY	APPROVED BY	DATE	VERSION	
Vertical Drum Hemp Harvester	A. Morillo	D. Jaeger	12-04-2024	0.05	
PART NAME	SPECIFICACIONES			CODE	
Part 1.1.11	Steel 235J2			1.1.11	
DEVELOPED BY	REDESIGNED BY	FILENAME		QTY	
		1.1.11.ipt		4	
Hanfasser		LICENSE	DOC. TYPE	SCALE	SHEET
		CC-BY-SA 4.0	Part	1 : 2	28 /146

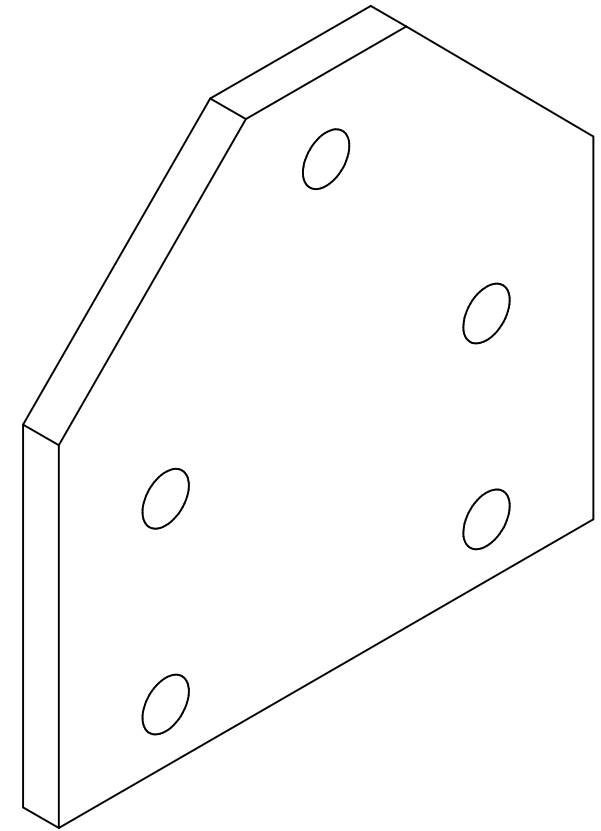
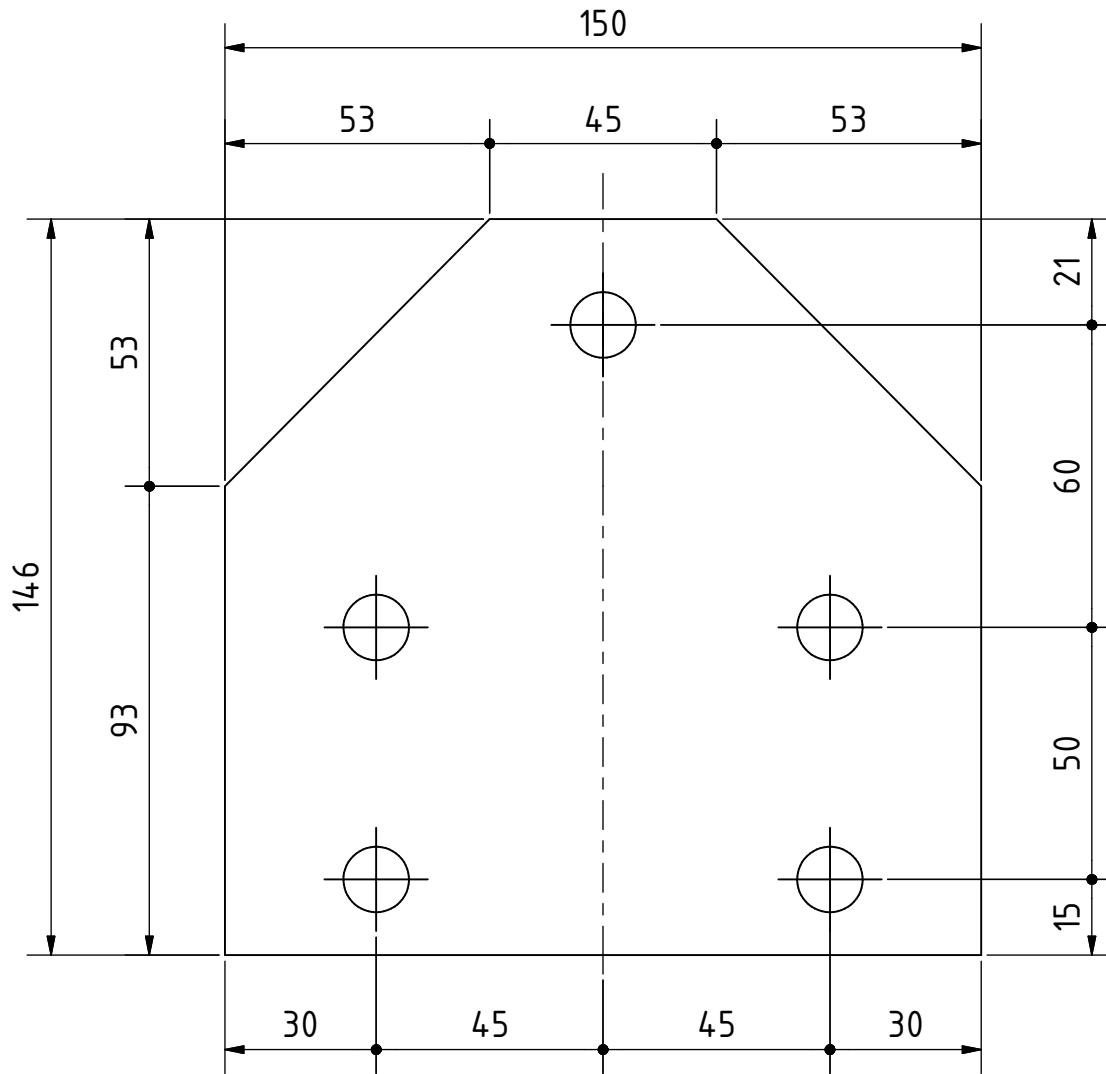


PROJECT	CREATED BY	APPROVED BY	DATE	VERSION
Vertical Drum Hemp Harvester	A. Morillo	D. Jaeger	12-04-2024	0.05
PART NAME	SPECIFICACIONES			CODE
Part 1.1.12	Steel 235J2			1.1.12
DEVELOPED BY	REDESIGNED BY	FILENAME		QTY
		1.1.12.ipt		4
		LICENSE	DOC. TYPE	SCALE
		CC-BY-SA 4.0	Part	2 : 15
				SHEET
				29 /146

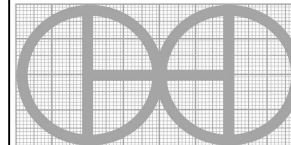
Hanfasser



PROJECT		CREATED BY		APPROVED BY		DATE		VERSION	
Vertical Drum Hemp Harvester		A. Morillo		D. Jaeger		12-04-2024		0.05	
PART NAME		SPECIFICACIONES						CODE	
Part 1.1.13		Steel 235J2						1.1.13	
DEVELOPED BY		REDESIGNED BY		FILENAME			QTY		
Hanfasser				1.1.13.ipt			2		
		OHO e.V.		LICENSE		DOC. TYPE		SCALE	
				CC-BY-SA 4.0		Part		2 : 15	
								30 /146	

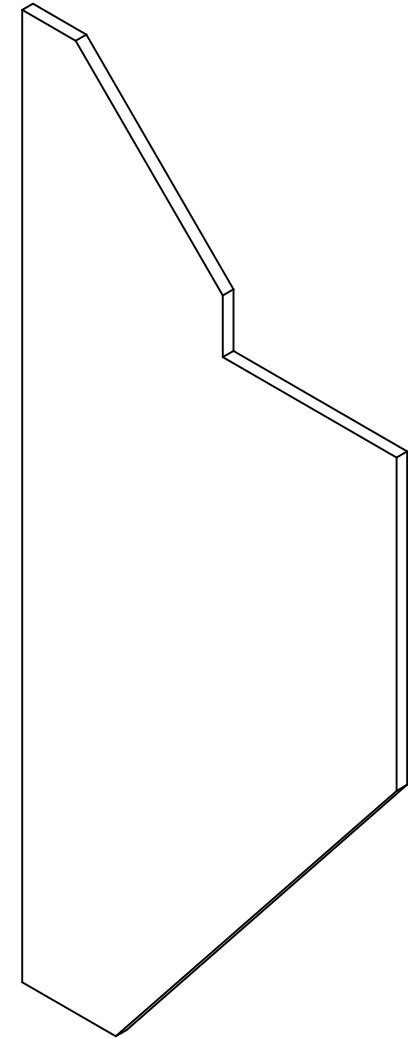
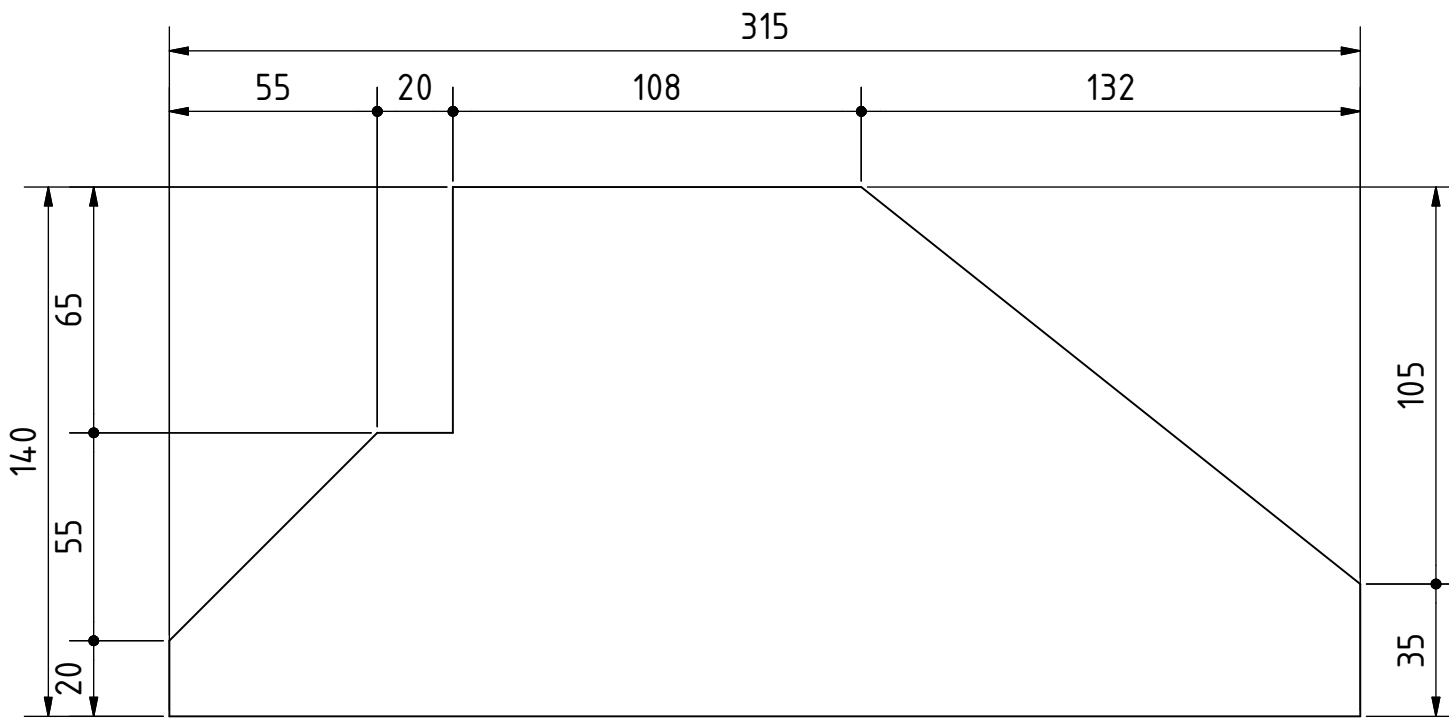


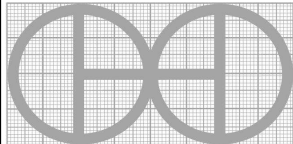
PROJECT	CREATED BY	APPROVED BY	DATE	VERSION
Vertical Drum Hemp Harvester	A. Morillo	D. Jaeger	12-04-2024	0.05
PART NAME	SPECIFICACIONES			CODE
Part 1.1.14	Steel 235J2			1.1.14
DEVELOPED BY	REDESIGNED BY	FILENAME		QTY
		1.1.14.ipt		6
		LICENSE	DOC. TYPE	SCALE
		CC-BY-SA 4.0	Part	2 : 3
				SHEET
				31 /146



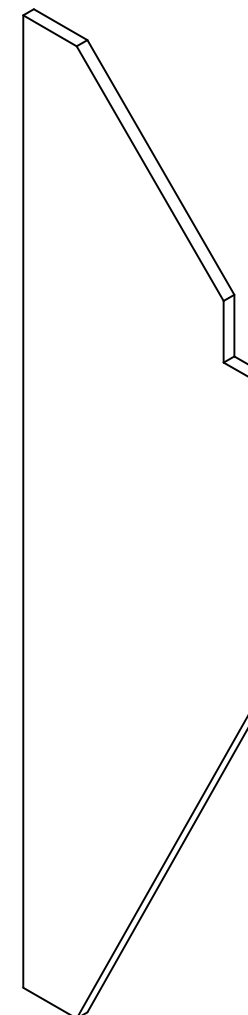
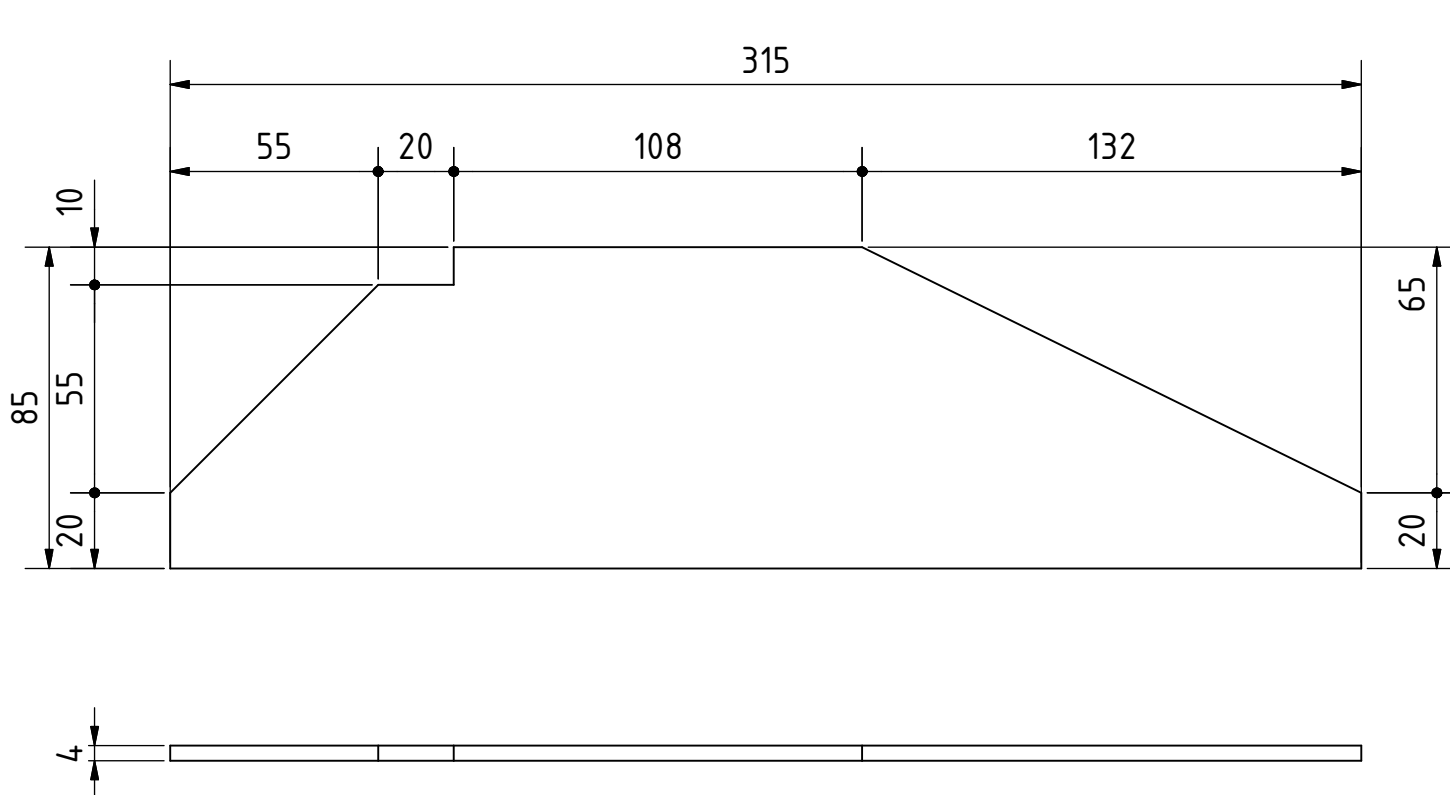
OHO e.V.

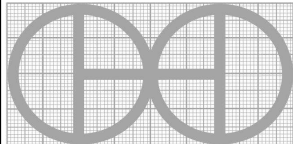
Hanfasser

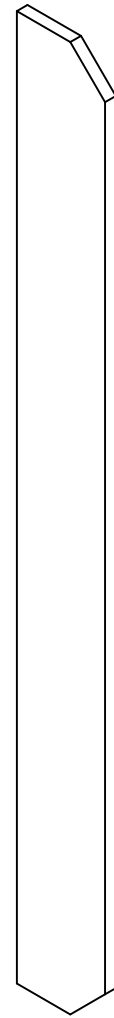
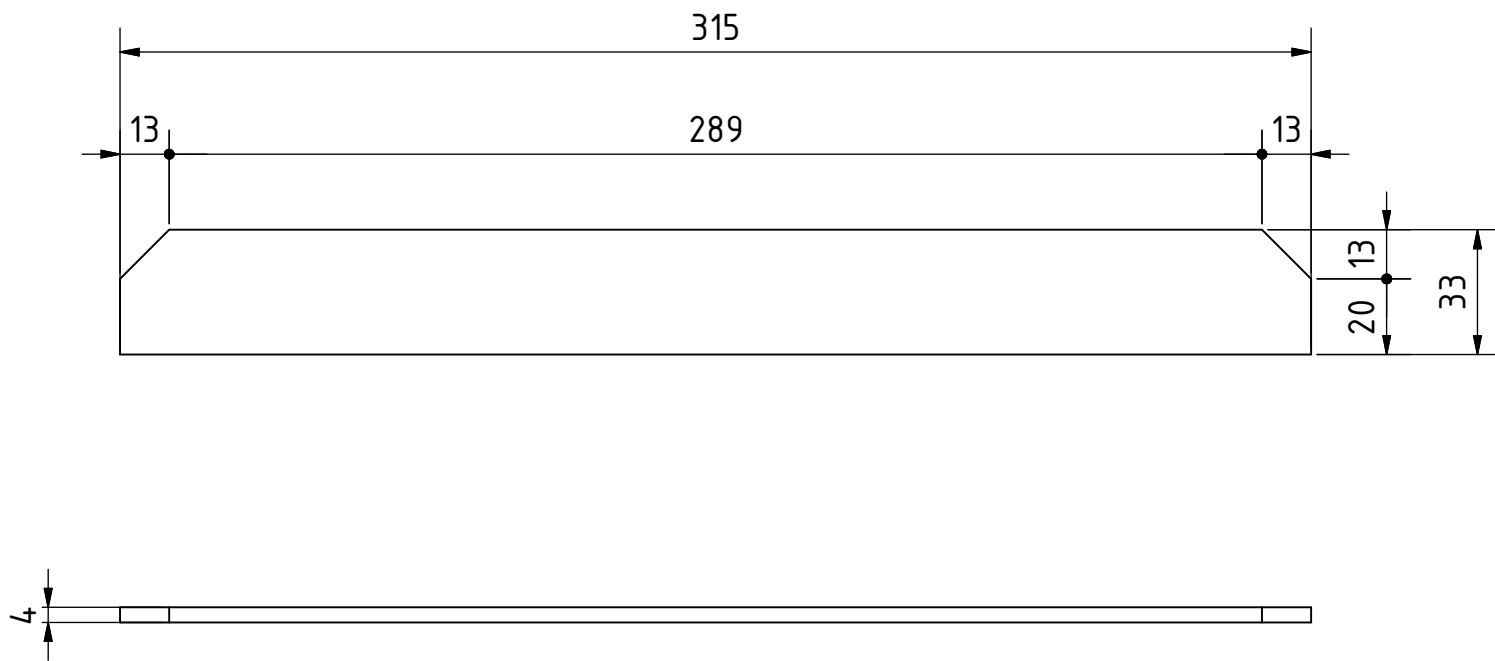


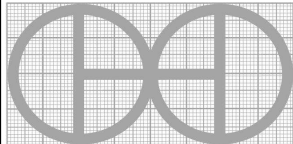
PROJECT	CREATED BY	APPROVED BY	DATE	VERSION
Vertical Drum Hemp Harvester	A. Morillo	D. Jaeger	12-04-2024	0.05
PART NAME	SPECIFICACIONES			CODE
Part 1.1.15	Steel 235J2			1.1.15
DEVELOPED BY	REDESIGNED BY	FILENAME		QTY
		1.1.15.ipt		8
Hanfasser		LICENSE	DOC. TYPE	SHEET
		CC-BY-SA 4.0	Part	1 : 2 32 /146

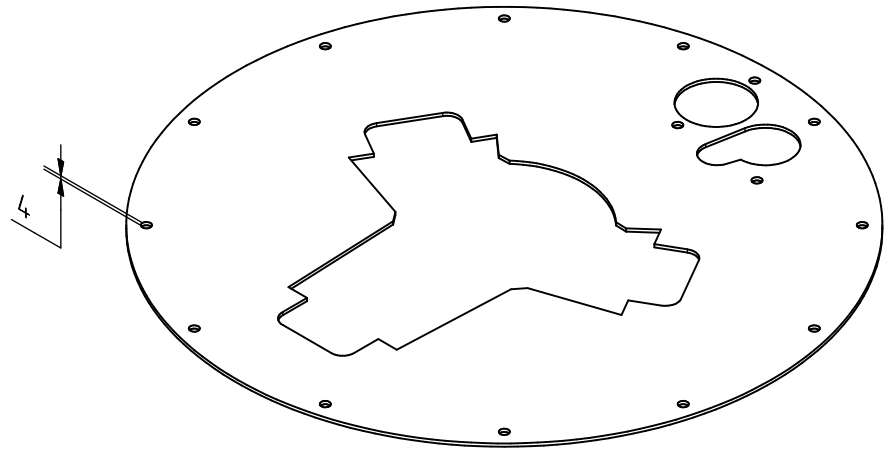
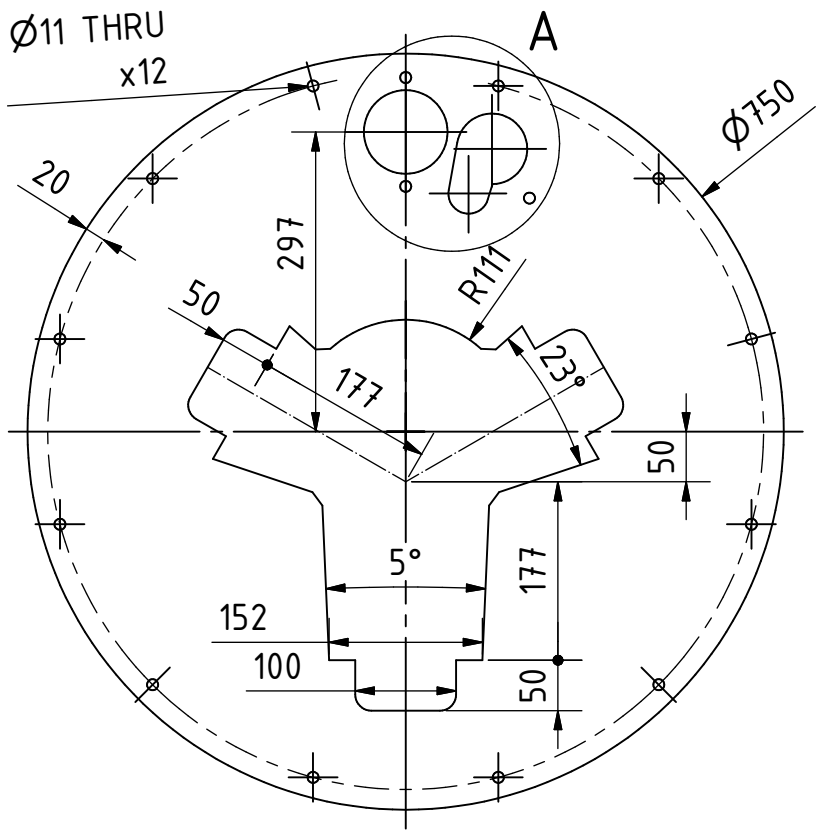
OHO e.V.



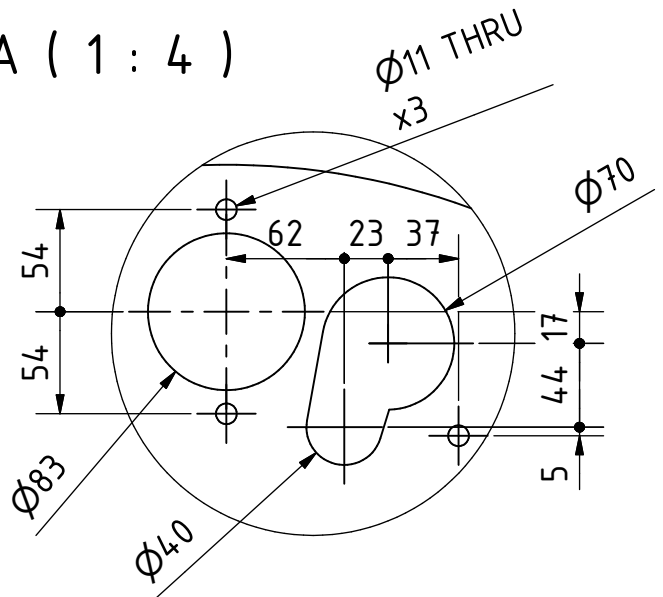
PROJECT		CREATED BY		APPROVED BY		DATE		VERSION	
Vertical Drum Hemp Harvester		A. Morillo		D. Jaeger		12-04-2024		0.05	
PART NAME		SPECIFICACIONES						CODE	
Part 1.1.15		Steel 235J2						1.1.15	
DEVELOPED BY		REDESIGNED BY		FILENAME			QTY		
Hanfasser				1.1.15.ipt			8		
				LICENSE	DOC. TYPE	SCALE	SHEET		
				CC-BY-SA 4.0	Part	1 : 2	33 /146		



PROJECT		CREATED BY		APPROVED BY		DATE		VERSION	
Vertical Drum Hemp Harvester		A. Morillo		D. Jaeger		12-04-2024		0.05	
PART NAME		SPECIFICACIONES						CODE	
Part 1.1.15		Steel 235J2						1.1.15	
DEVELOPED BY		REDESIGNED BY		FILENAME			QTY		
Hanfasser				1.1.15.ipt			8		
				LICENSE		DOC. TYPE		SCALE	
				CC-BY-SA 4.0		Part		1 : 2	
								SHEET	
								34 /146	

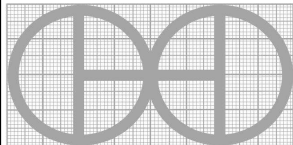


A (1 : 4)

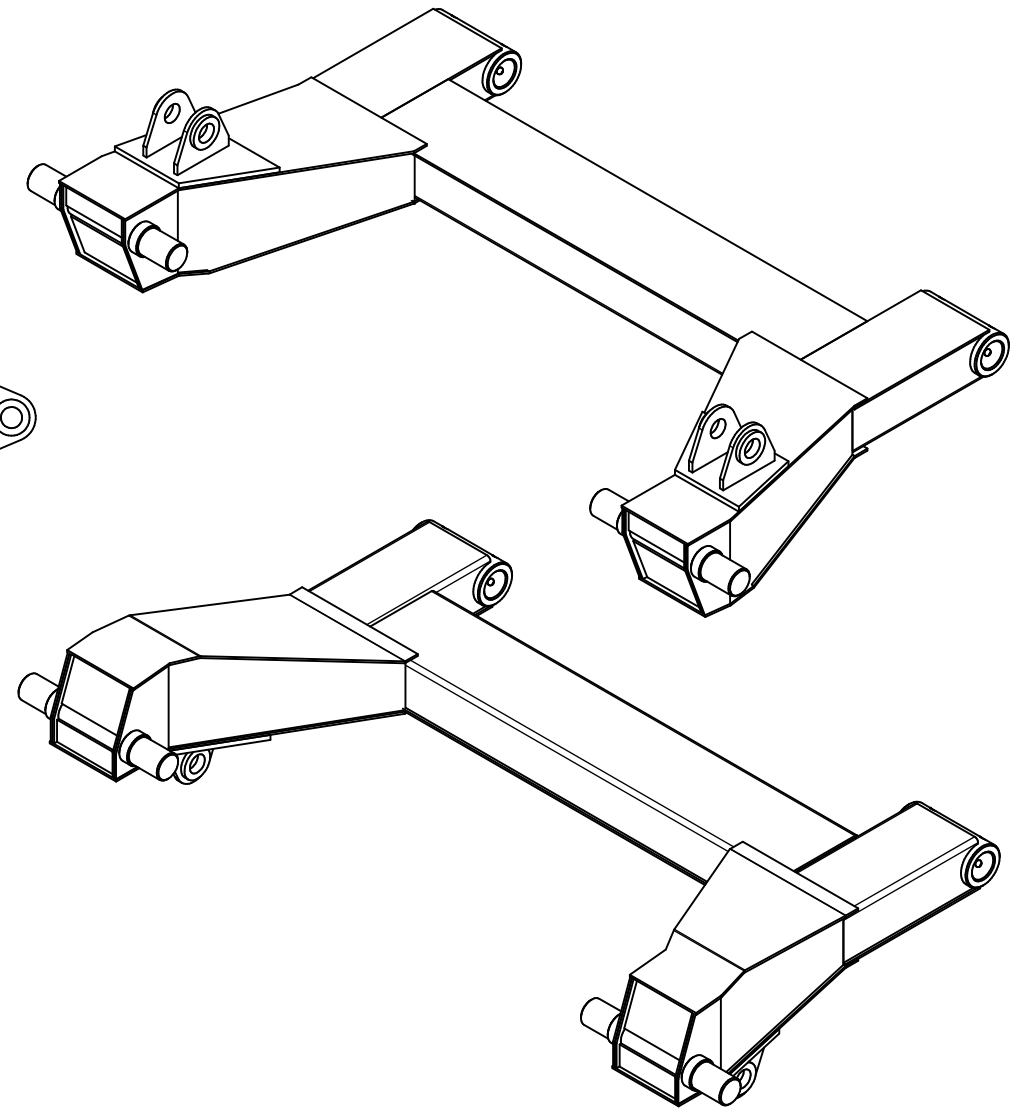
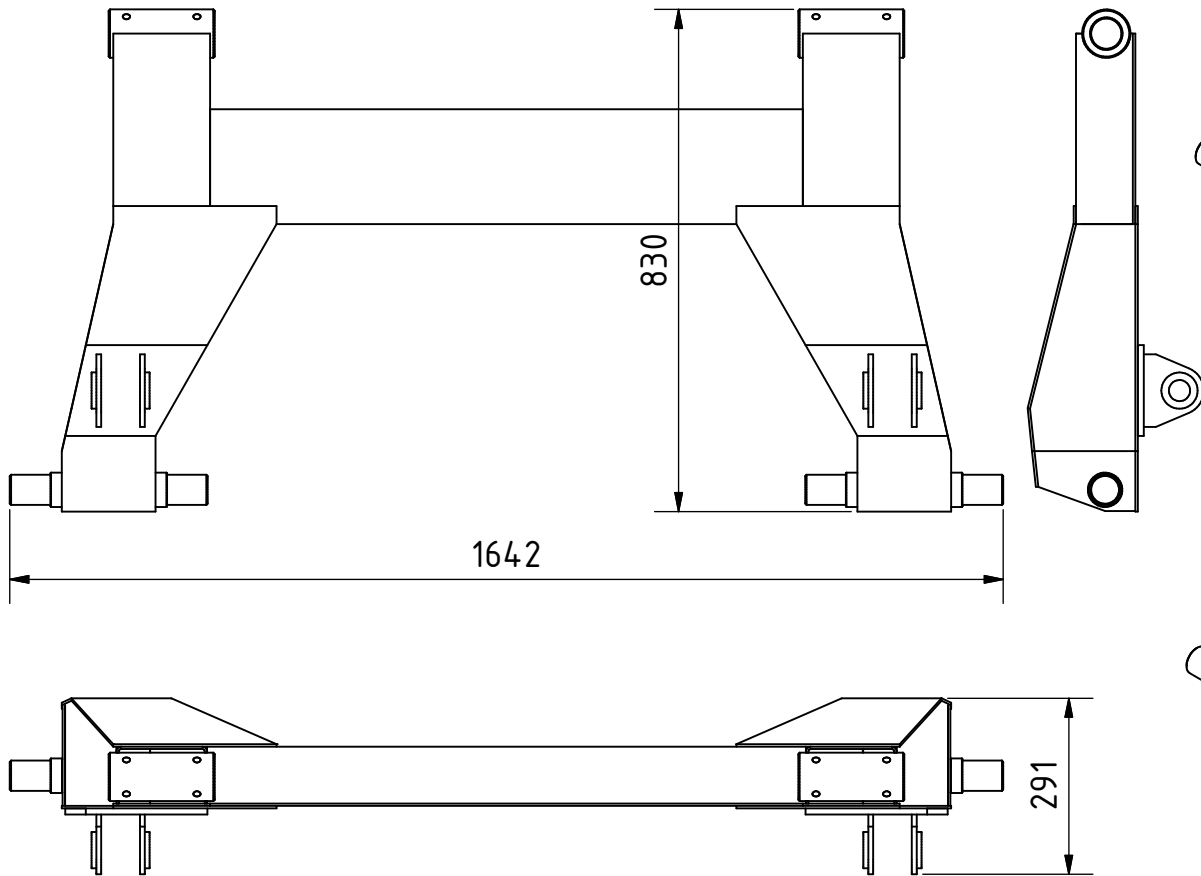


Symmetrical item

PROJECT	CREATED BY	APPROVED BY	DATE	VERSION
Vertical Drum Hemp Harvester	A. Morillo	D. Jaeger	12-04-2024	0.05
PART NAME	SPECIFICACIONES			CODE
Part 1.1.16	Steel 235J2			1.1.16
DEVELOPED BY	REDESIGNED BY	FILENAME	QTY	
		1.1.16.ipt	2	
		LICENSE	DOC. TYPE	SCALE SHEET
Hanfasser		CC-BY-SA 4.0	Part	2 : 15 35 /146

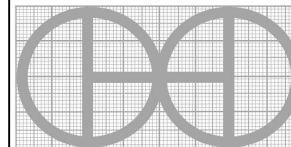


OHO e.V.

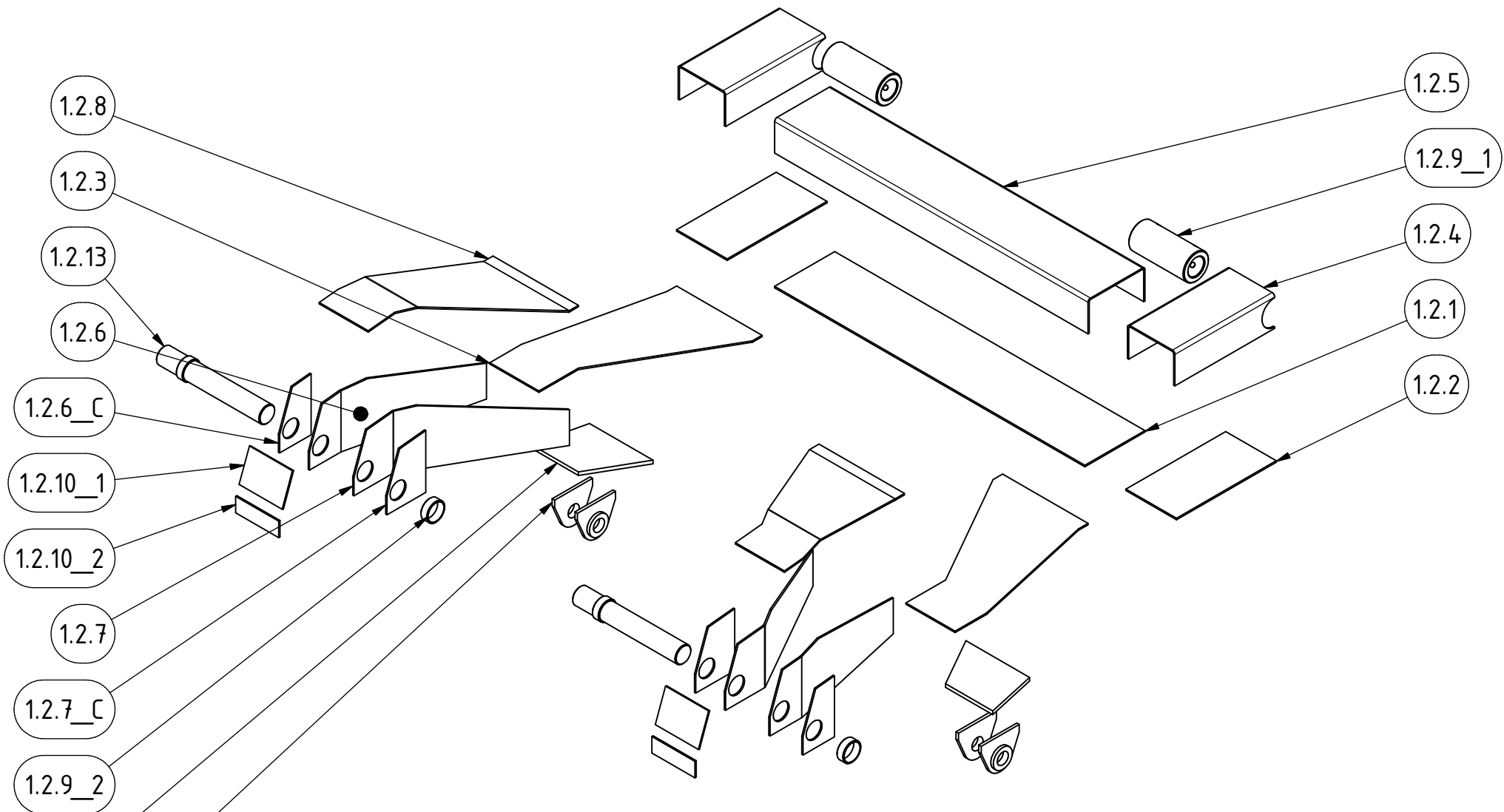


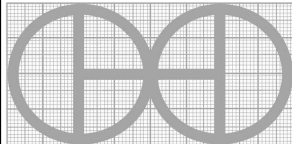
PROJECT	CREATED BY	APPROVED BY	DATE	VERSION
Vertical Drum Hemp Harvester	A. Morillo	D. Jaeger	12-04-2024	0.05
PART NAME	SPECIFICACIONES			CODE
Upper handlebar				1.2.0
DEVELOPED BY	REDESIGNED BY	FILENAME		QTY
		1.2.iam		1
		LICENSE	DOC. TYPE	SCALE
		CC-BY-SA 4.0	Assembly	2 : 25
				SHEET
				36 /146

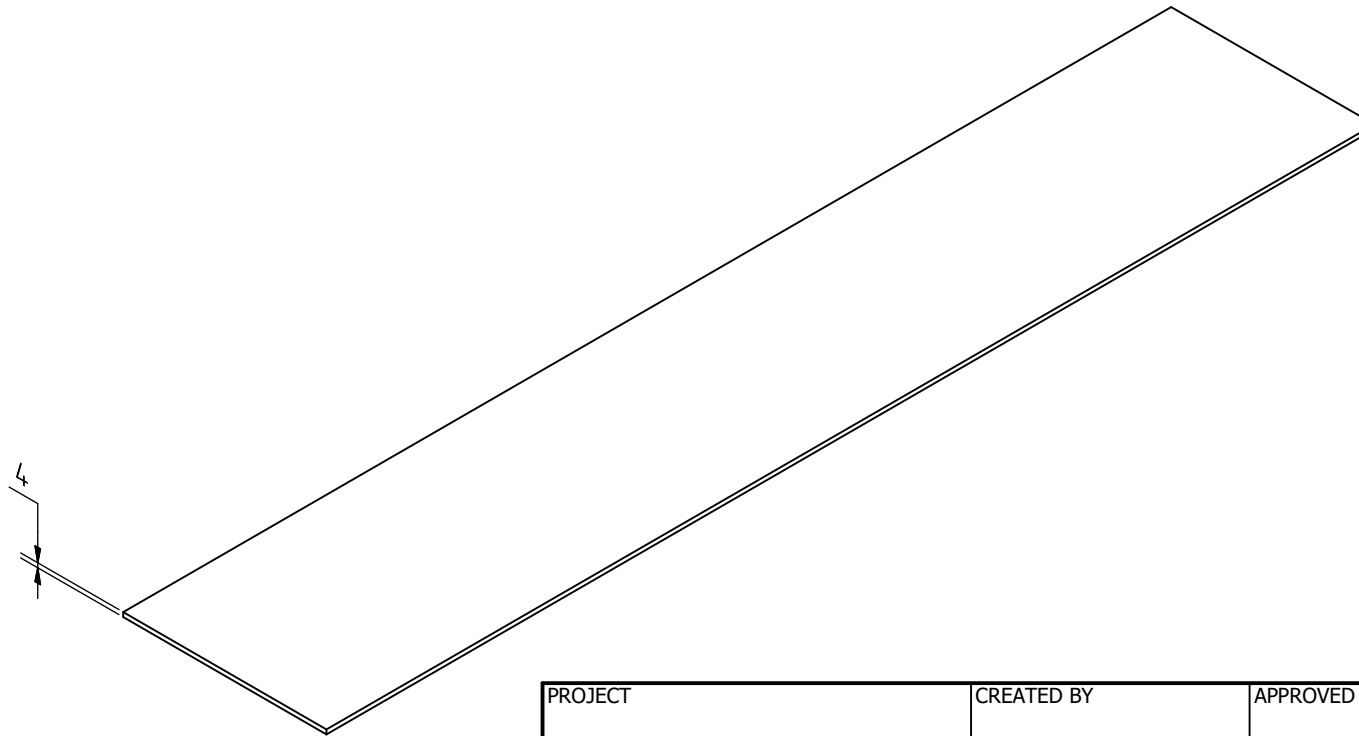
Hanfasser

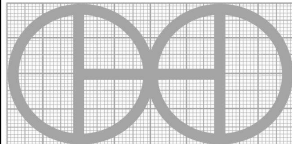


OHO e.V.

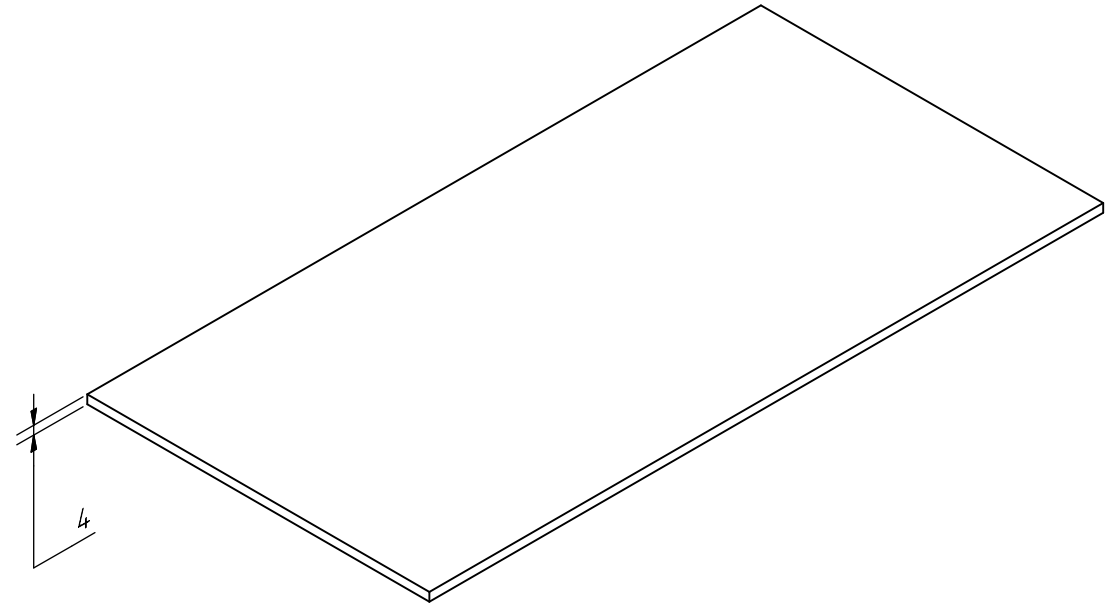
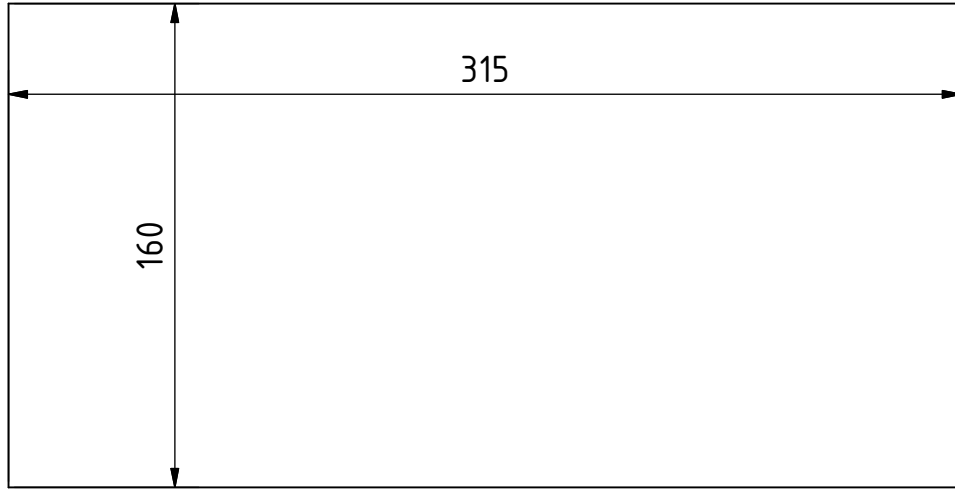


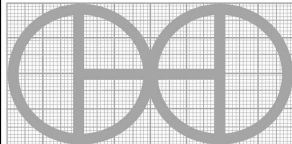
PROJECT		CREATED BY		APPROVED BY		DATE		VERSION		
Vertical Drum Hemp Harvester		A. Morillo		D. Jaeger		12-04-2024		0.05		
PART NAME				SPECIFICACIONES				CODE		
Upper handlebar								1.2.0		
DEVELOPED BY			REDESIGNED BY			FILENAME			QTY	
						1.2.ipn			1	
Hanfasser						OHO e.V.	LICENSE	DOC. TYPE	SCALE	SHEET
						CC-BY-SA 4.0	Assembly	2 : 25	37 /146	



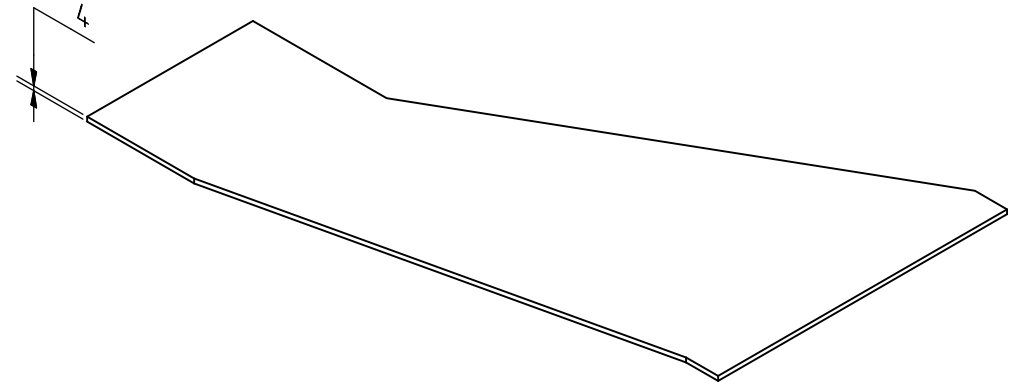
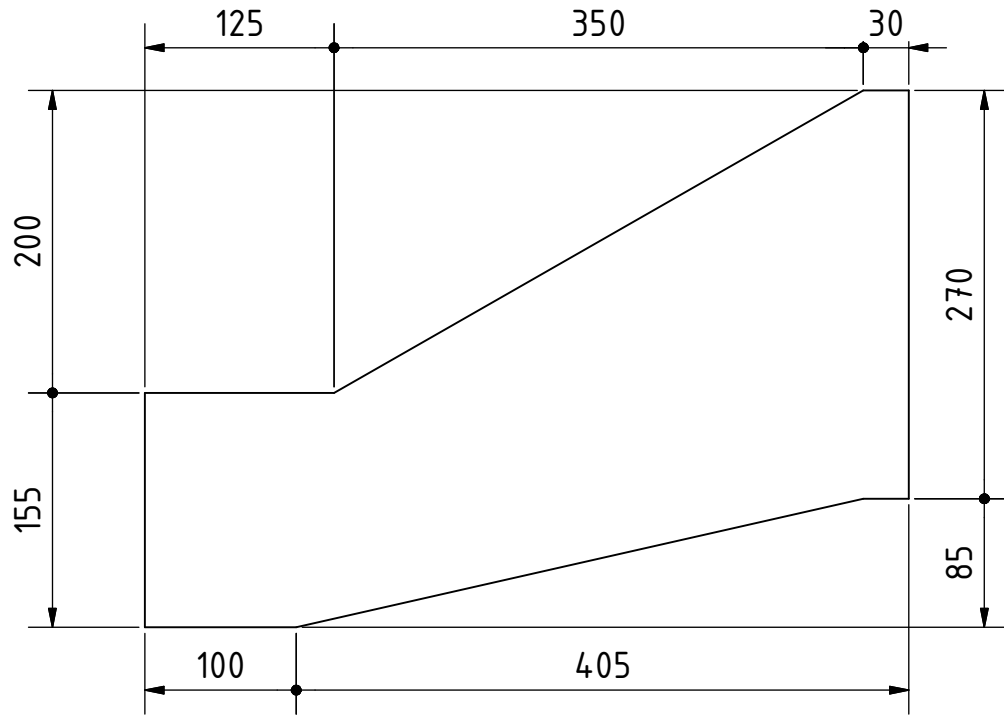
PROJECT	CREATED BY	APPROVED BY	DATE	VERSION	
Vertical Drum Hemp Harvester	A. Morillo	D. Jaeger	12-04-2024	0.05	
PART NAME	SPECIFICACIONES			CODE	
Part 1.2.1	Steel 235J2			1.2.1	
DEVELOPED BY	REDESIGNED BY	FILENAME		QTY	
Hanfasser		1.2.1.ipt		1	
		LICENSE	DOC. TYPE	SCALE	SHEET
		CC-BY-SA 4.0	Part	1 : 5	38 /146

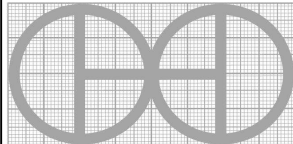
OHO e.V.

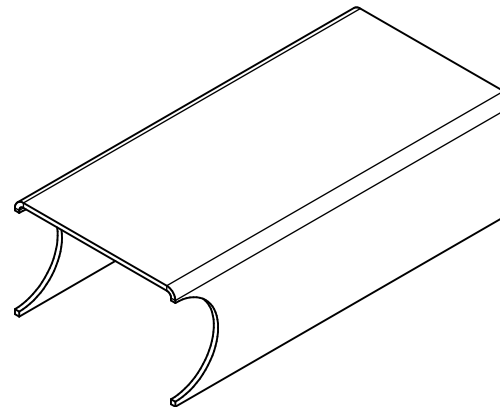
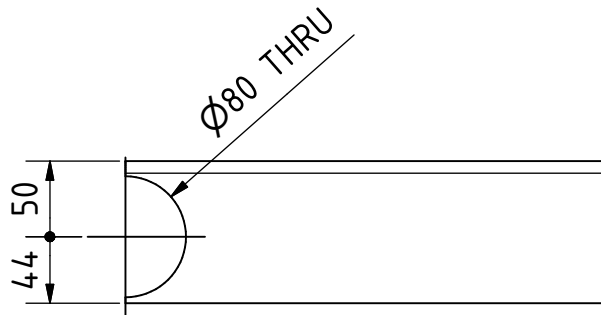
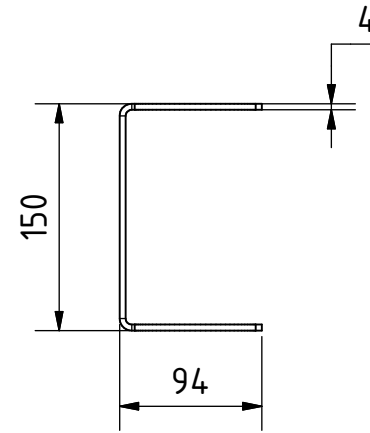
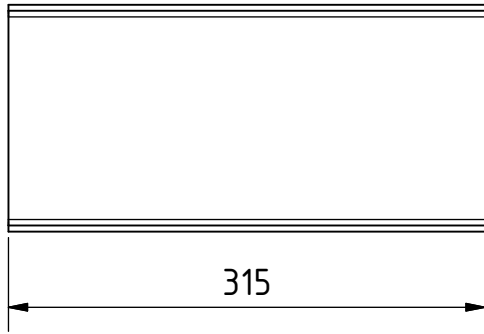


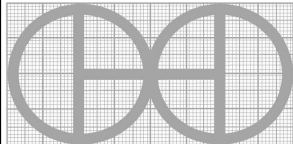
PROJECT	CREATED BY	APPROVED BY	DATE	VERSION	
Vertical Drum Hemp Harvester	A. Morillo	D. Jaeger	12-04-2024	0.05	
PART NAME	SPECIFICACIONES			CODE	
Part 1.2.2	Steel 235J2			1.2.2	
DEVELOPED BY	REDESIGNED BY	FILENAME		QTY	
Hanfasser		1.2.2.ipt		2	
		LICENSE	DOC. TYPE	SCALE	SHEET
		CC-BY-SA 4.0	Part	2 : 5	39 /146

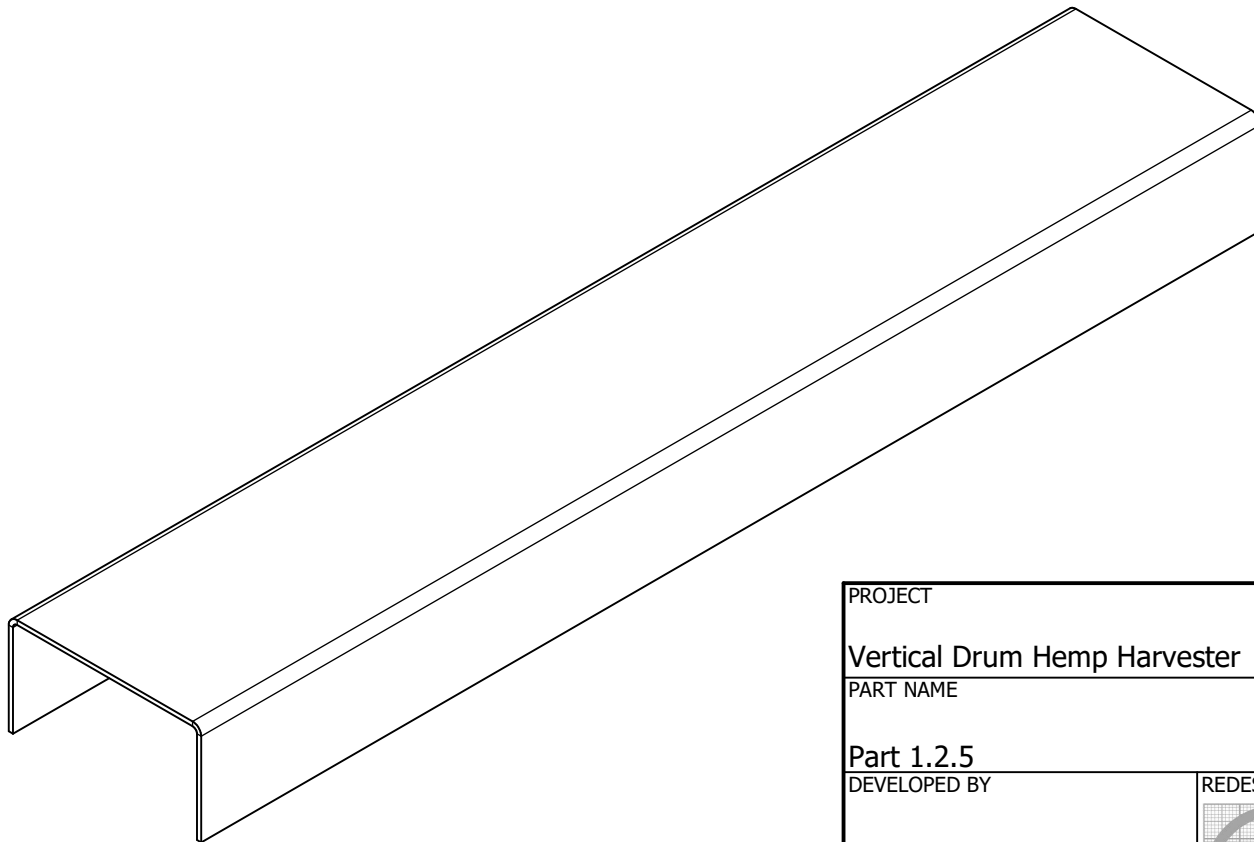
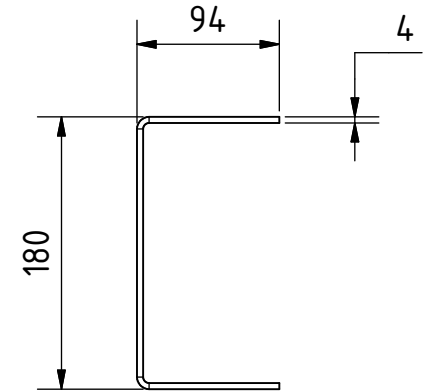
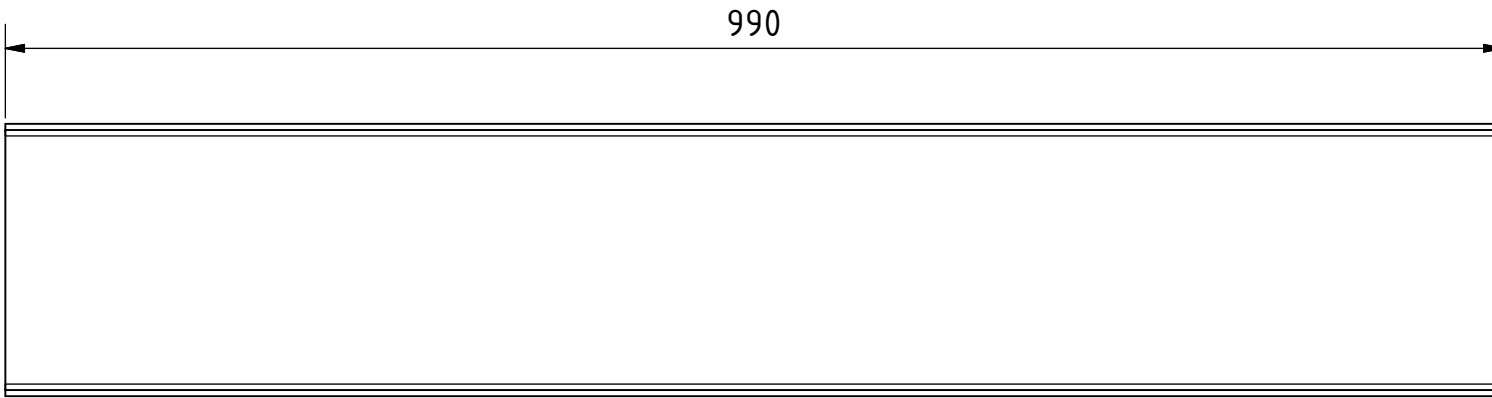
OHO e.V.

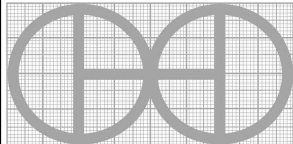


PROJECT		CREATED BY		APPROVED BY		DATE		VERSION	
Vertical Drum Hemp Harvester		A. Morillo		D. Jaeger		12-04-2024		0.05	
PART NAME		SPECIFICACIONES						CODE	
Part 1.2.3		Steel 235J2						1.2.3	
DEVELOPED BY		REDESIGNED BY		FILENAME				QTY	
Hanfasser				1.2.3.ipt				2	
				LICENSE		DOC. TYPE		SCALE	
				CC-BY-SA 4.0		Part		1 : 5	
								40 /146	

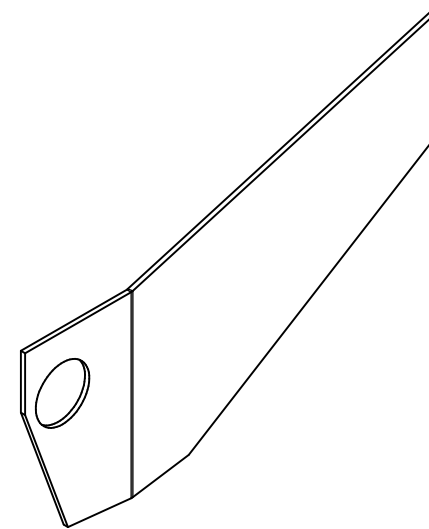
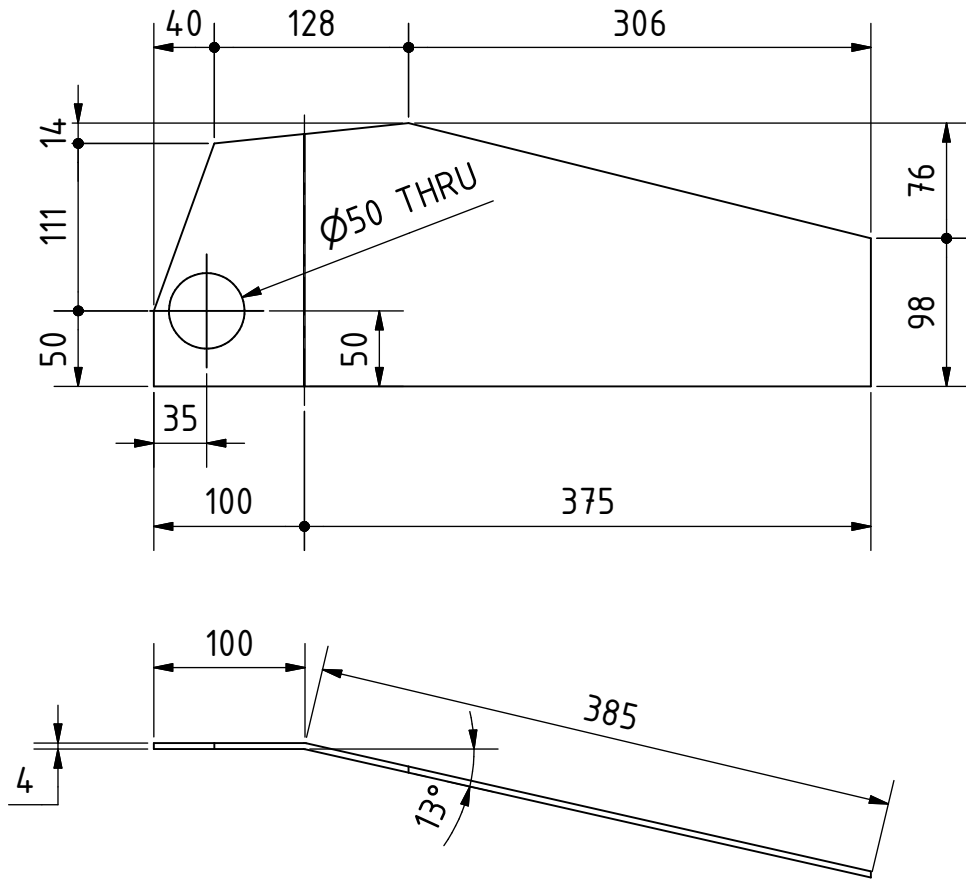


PROJECT	CREATED BY	APPROVED BY	DATE	VERSION	
Vertical Drum Hemp Harvester	A. Morillo	D. Jaeger	12-04-2024	0.05	
PART NAME	SPECIFICACIONES			CODE	
Part 1.2.4	Steel 235J2			1.2.4	
DEVELOPED BY	REDESIGNED BY	FILENAME		QTY	
Hanfasser		1.2.4.ipt		2	
		LICENSE	DOC. TYPE	SCALE	SHEET
		CC-BY-SA 4.0	Part	1 : 5	41 /146

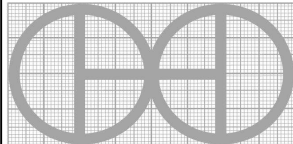


PROJECT	CREATED BY	APPROVED BY	DATE	VERSION	
Vertical Drum Hemp Harvester	A. Morillo	D. Jaeger	12-04-2024	0.05	
PART NAME	SPECIFICACIONES			CODE	
Part 1.2.5	Steel 235J2			1.2.5	
DEVELOPED BY	REDESIGNED BY	FILENAME	QTY		
Hanfasser		1.2.5.ipt	1		
		LICENSE	DOC. TYPE	SCALE	SHEET
		CC-BY-SA 4.0	Part	1 : 5	42 /146

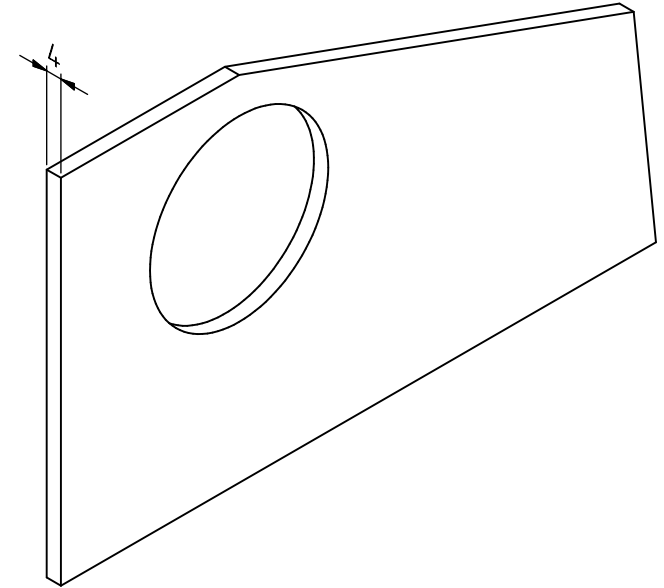
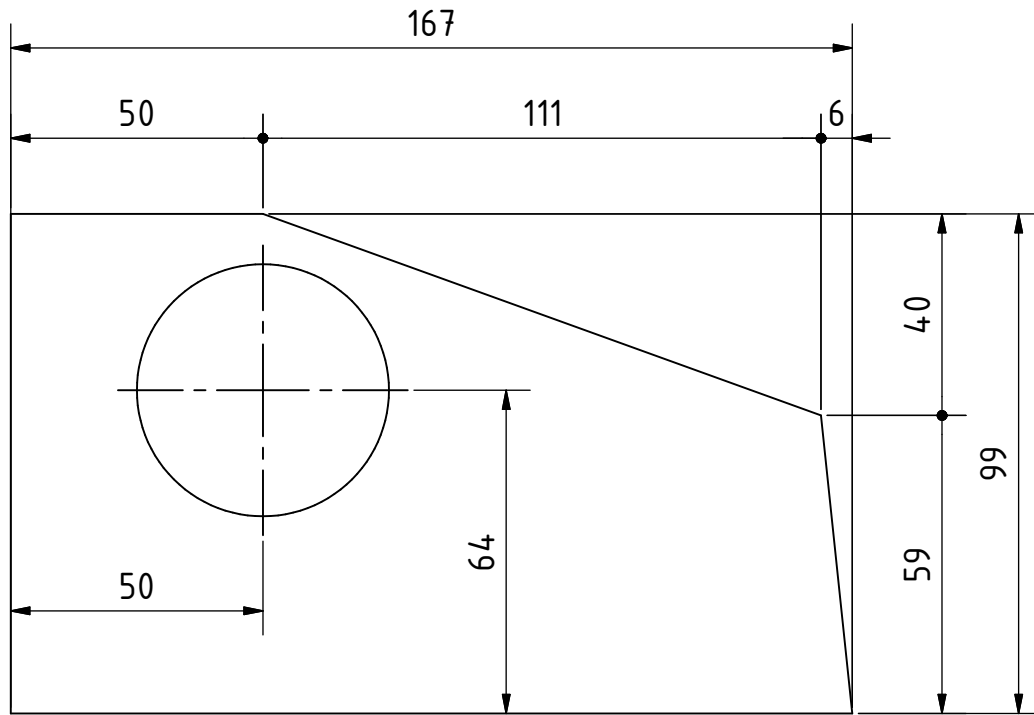
OHO e.V.

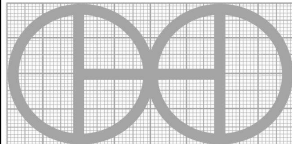


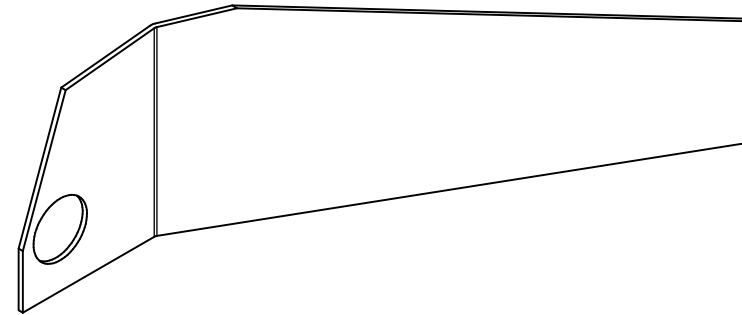
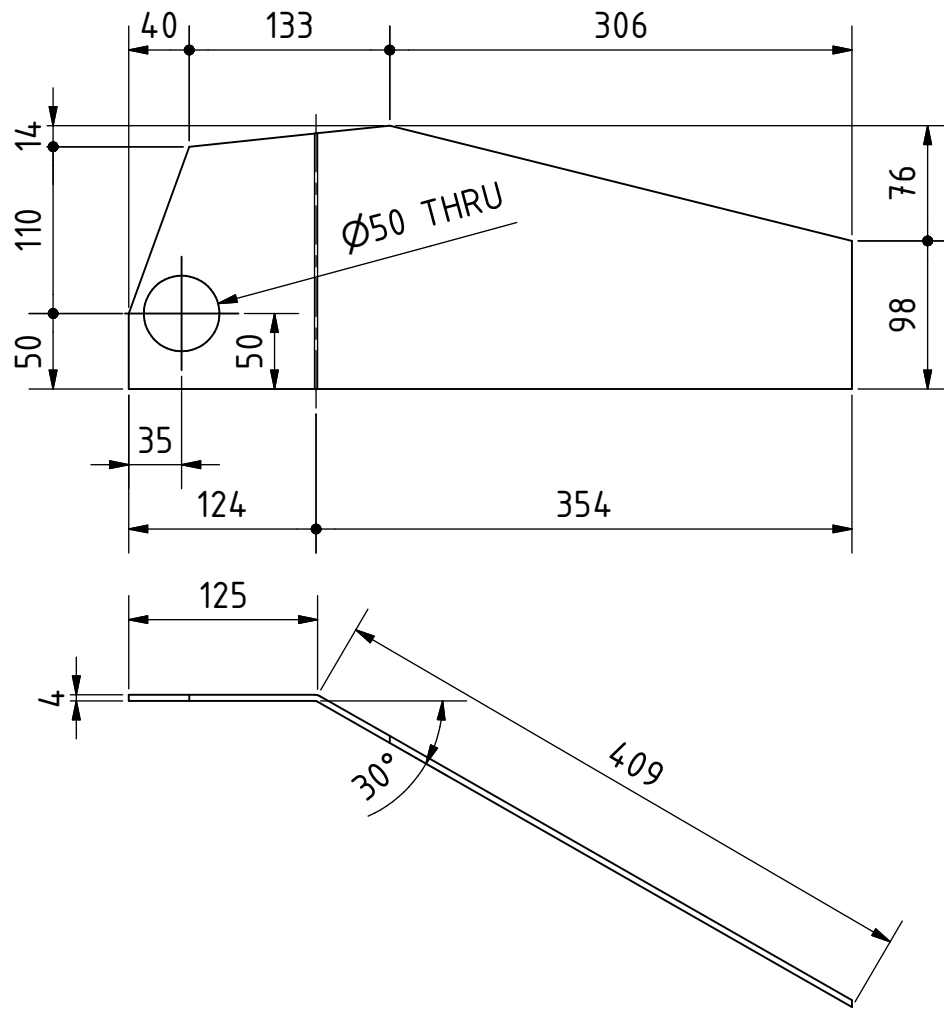
Symmetrical item

PROJECT	CREATED BY	APPROVED BY	DATE	VERSION
Vertical Drum Hemp Harvester	A. Morillo	D. Jaeger	12-04-2024	0.05
PART NAME	SPECIFICACIONES			CODE
Part 1.2.6				1.2.6
DEVELOPED BY	REDESIGNED BY	FILENAME		QTY
		1.2.6.ipt		
Handfasser		LICENSE	DOC. TYPE	SHEET
		CC-BY-SA 4.0	Part	1 : 5 43 /146

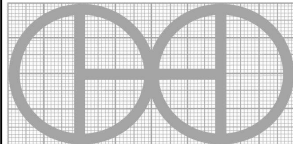
OHO e.V.

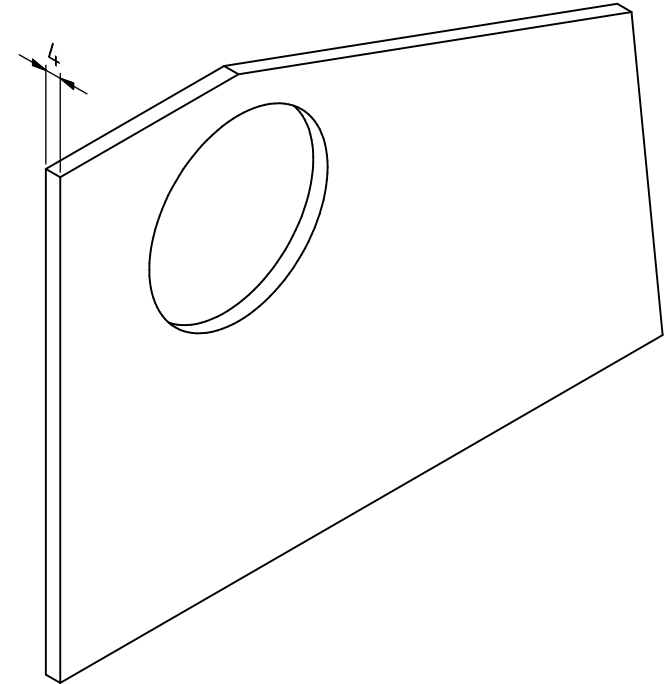
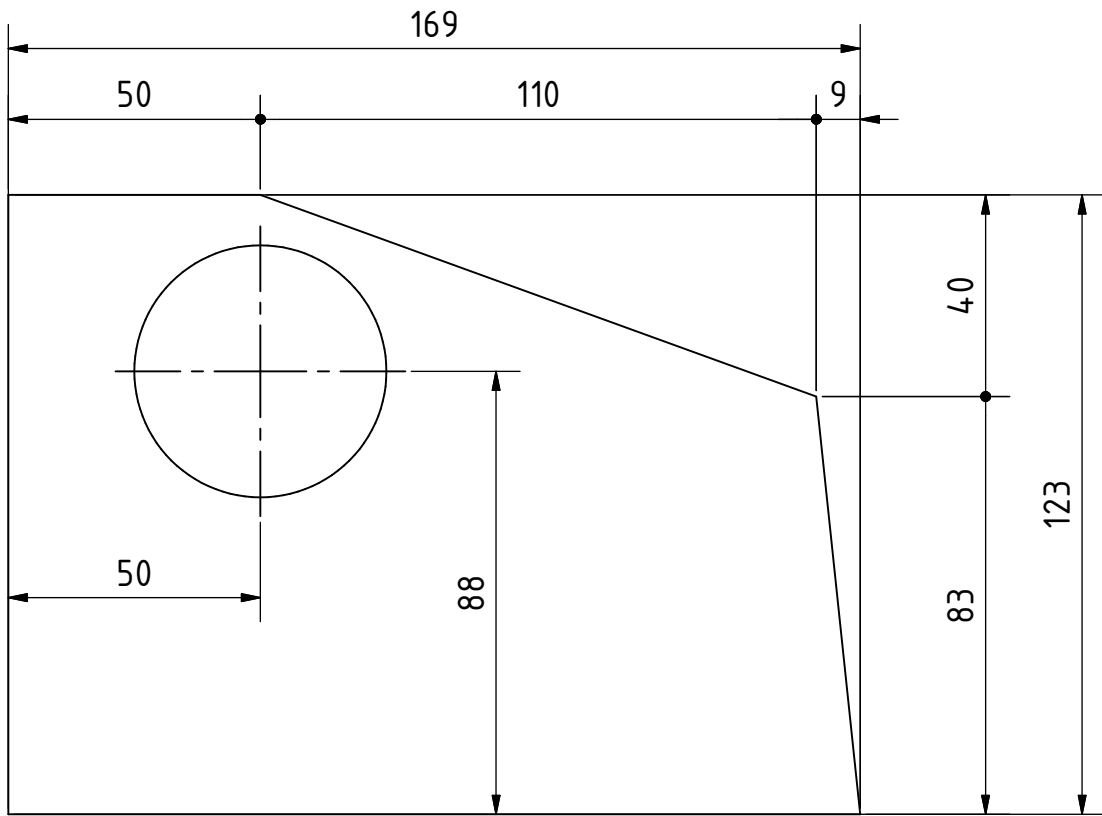


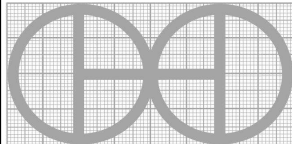
PROJECT		CREATED BY		APPROVED BY		DATE		VERSION	
Vertical Drum Hemp Harvester		A. Morillo		D. Jaeger		12-04-2024		0.05	
PART NAME		SPECIFICACIONES						CODE	
Part 1.2.6_C		Steel 235J2						1.2.6_C	
DEVELOPED BY		REDESIGNED BY		FILENAME				QTY	
Hanfasser				1.2.6_C.ipt				2	
				LICENSE		DOC. TYPE		SCALE	
				CC-BY-SA 4.0		Part		2 : 3	
								44 /146	

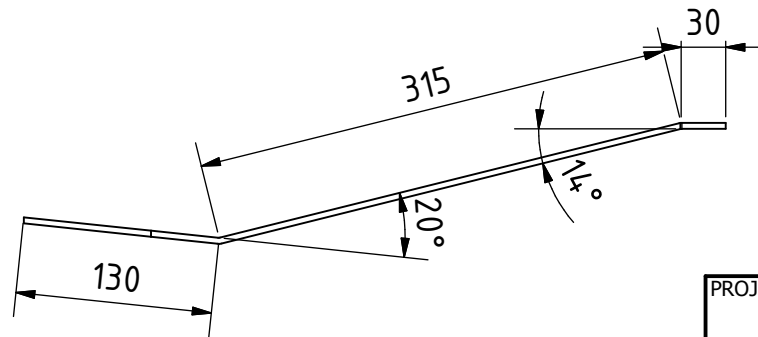
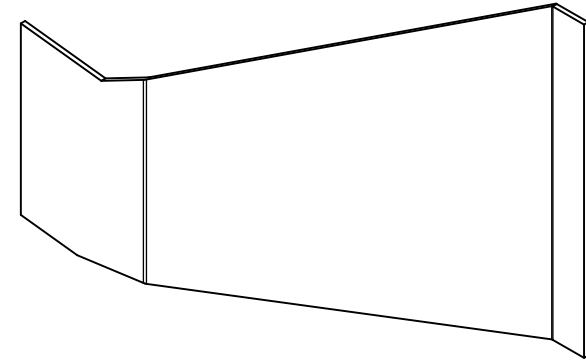
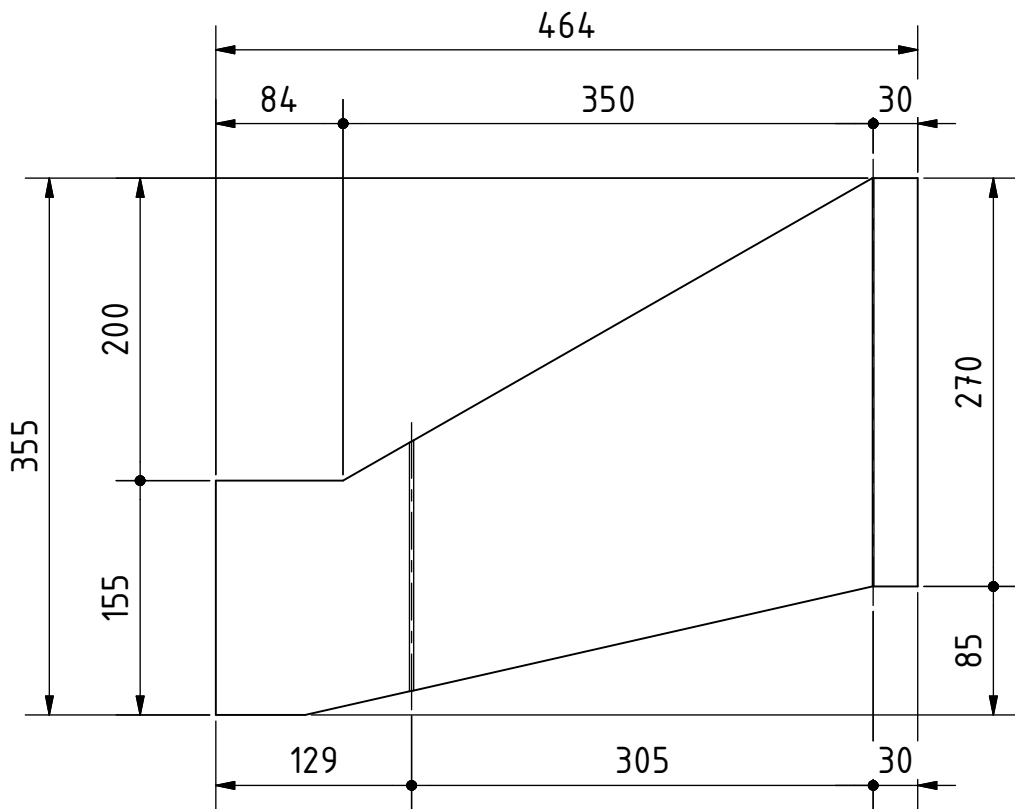


Symmetrical item

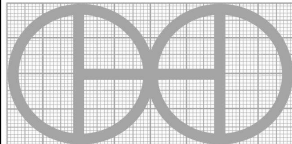
PROJECT	CREATED BY	APPROVED BY	DATE	VERSION
Vertical Drum Hemp Harvester	A. Morillo	D. Jaeger	12-04-2024	0.05
PART NAME	SPECIFICACIONES			CODE
Part 1.2.7				1.2.7
DEVELOPED BY	REDESIGNED BY	FILENAME		QTY
Handfasser		1.2.7.ipt		
		LICENSE	DOC. TYPE	SCALE
		CC-BY-SA 4.0	Part	1 : 5
				SHEET
				45 /146



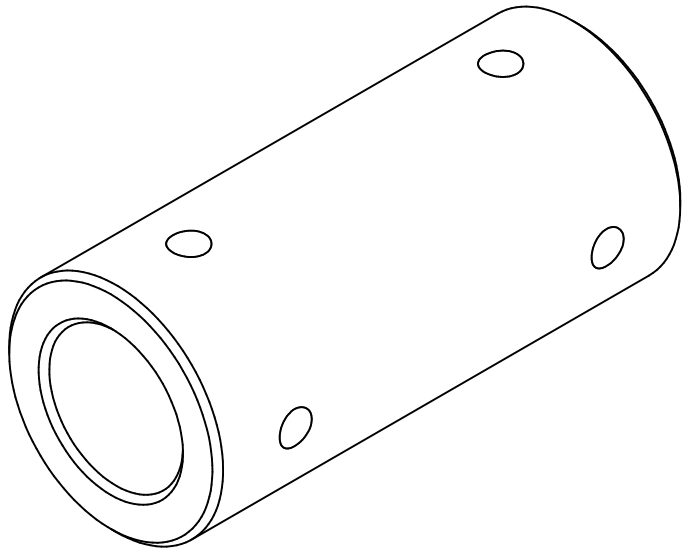
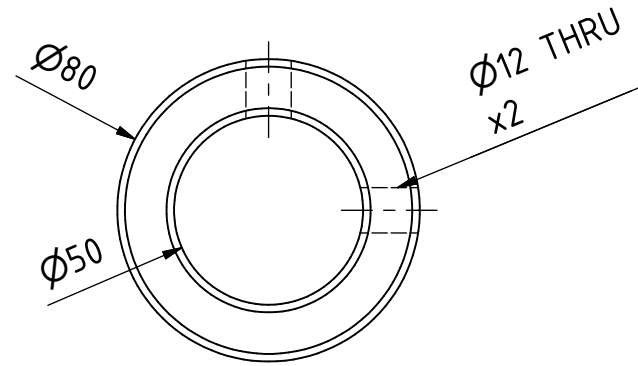
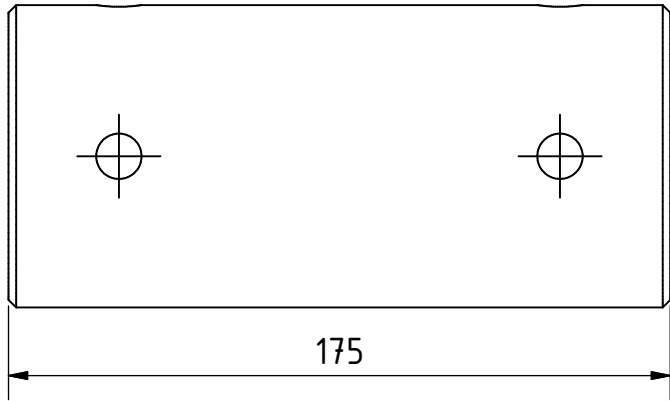
PROJECT	CREATED BY	APPROVED BY	DATE	VERSION	
Vertical Drum Hemp Harvester	A. Morillo	D. Jaeger	12-04-2024	0.05	
PART NAME	SPECIFICACIONES			CODE	
Part 1.2.7_C	Steel 235J2			1.2.7_C	
DEVELOPED BY	REDESIGNED BY	FILENAME		QTY	
Hanfasser		OHO e.V. 1.2.7_C.ipt		2	
		LICENSE	DOC. TYPE	SCALE	SHEET
		CC-BY-SA 4.0	Part	2 : 3	46 /146

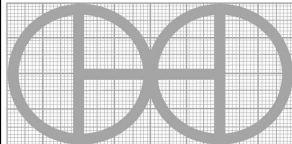


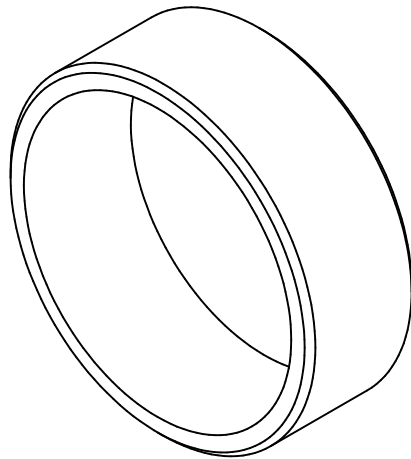
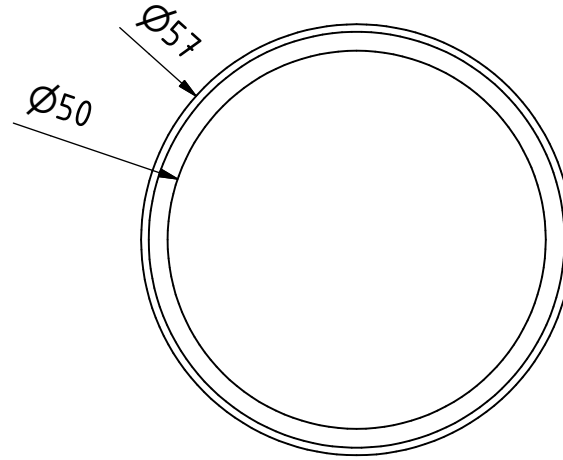
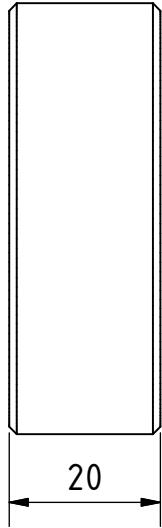
Symmetrical item

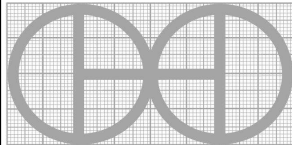
PROJECT	CREATED BY	APPROVED BY	DATE	VERSION	
Vertical Drum Hemp Harvester	A. Morillo	D. Jaeger	12-04-2024	0.05	
PART NAME	SPECIFICACIONES			CODE	
Part 1.2.8	Steel 235J2			1.2.8	
DEVELOPED BY	REDESIGNED BY	FILENAME	QTY		
Hanfasser		1.2.8.ipt	2		
		LICENSE	DOC. TYPE	SCALE	SHEET
		CC-BY-SA 4.0	Part	1 : 5	47 /146

OHO e.v.

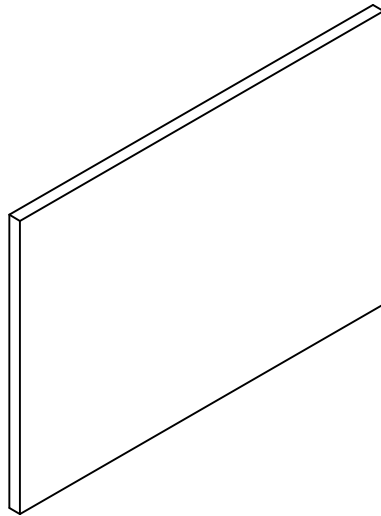
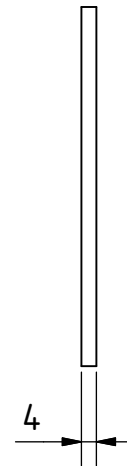


PROJECT	CREATED BY	APPROVED BY	DATE	VERSION
Vertical Drum Hemp Harvester	A. Morillo	D. Jaeger	12-04-2024	0.05
PART NAME	SPECIFICACIONES			CODE
Part 1.2.9_1	Steel 235J2			1.2.9_1
DEVELOPED BY	REDESIGNED BY	FILENAME		QTY
Hanfasser		1.2.9.ipt		2
		LICENSE	DOC. TYPE	SCALE
		CC-BY-SA 4.0	Part	1 : 2 48 /146

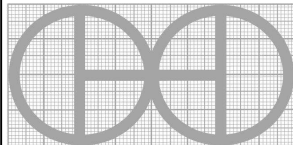


PROJECT	CREATED BY	APPROVED BY	DATE	VERSION	
Vertical Drum Hemp Harvester	A. Morillo	D. Jaeger	12-04-2024	0.05	
PART NAME	SPECIFICACIONES			CODE	
Part 1.2.9_2	Steel 235J2			1.2.9_2	
DEVELOPED BY	REDESIGNED BY	FILENAME		QTY	
Hanfasser		1.2.9_A.ipt		2	
		LICENSE	DOC. TYPE	SCALE	SHEET
		CC-BY-SA 4.0	Part	1 : 1	49 /146

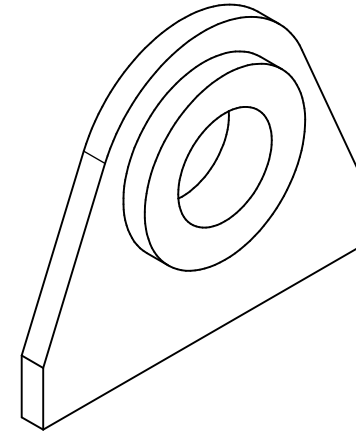
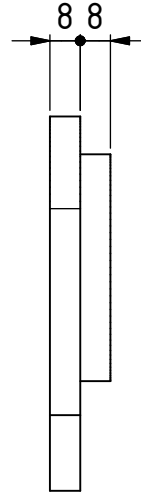
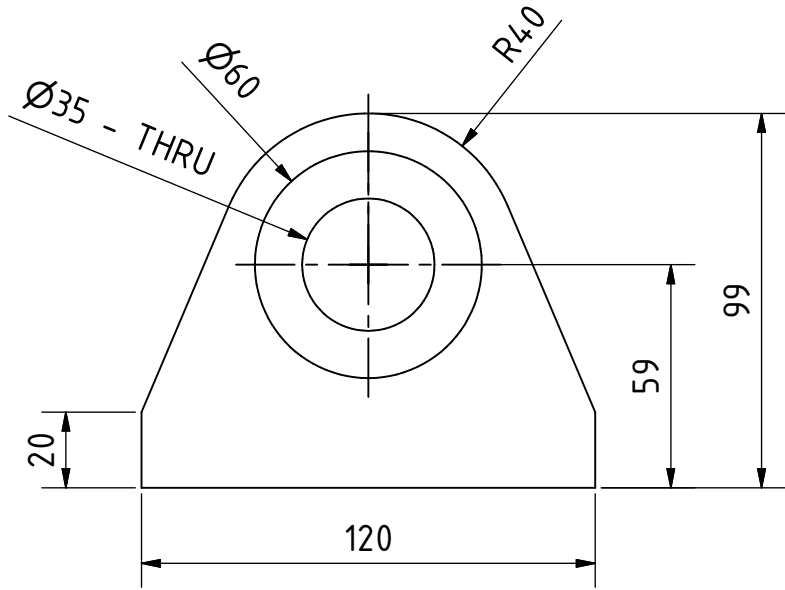
OHO e.V.

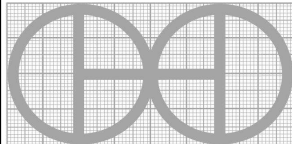


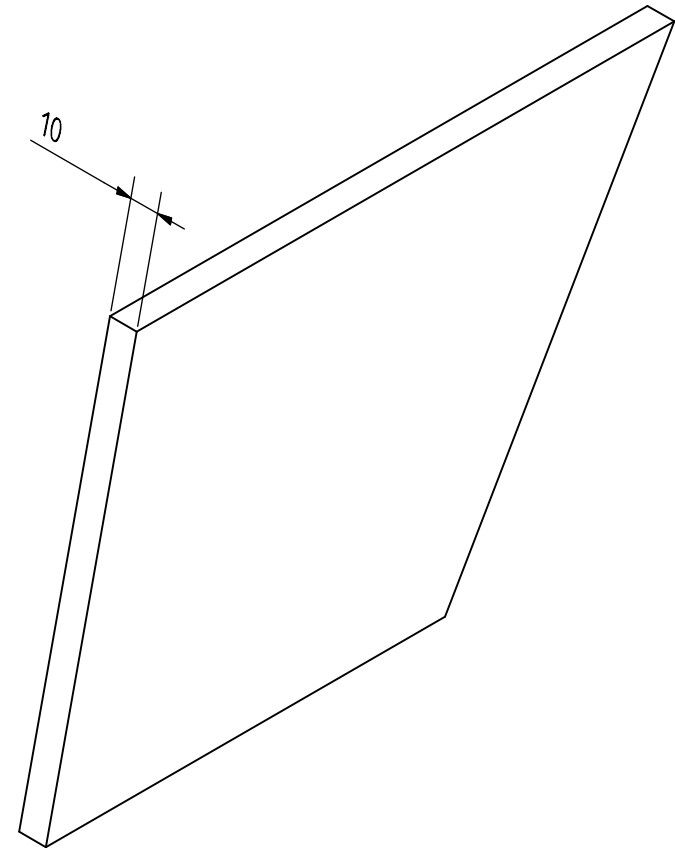
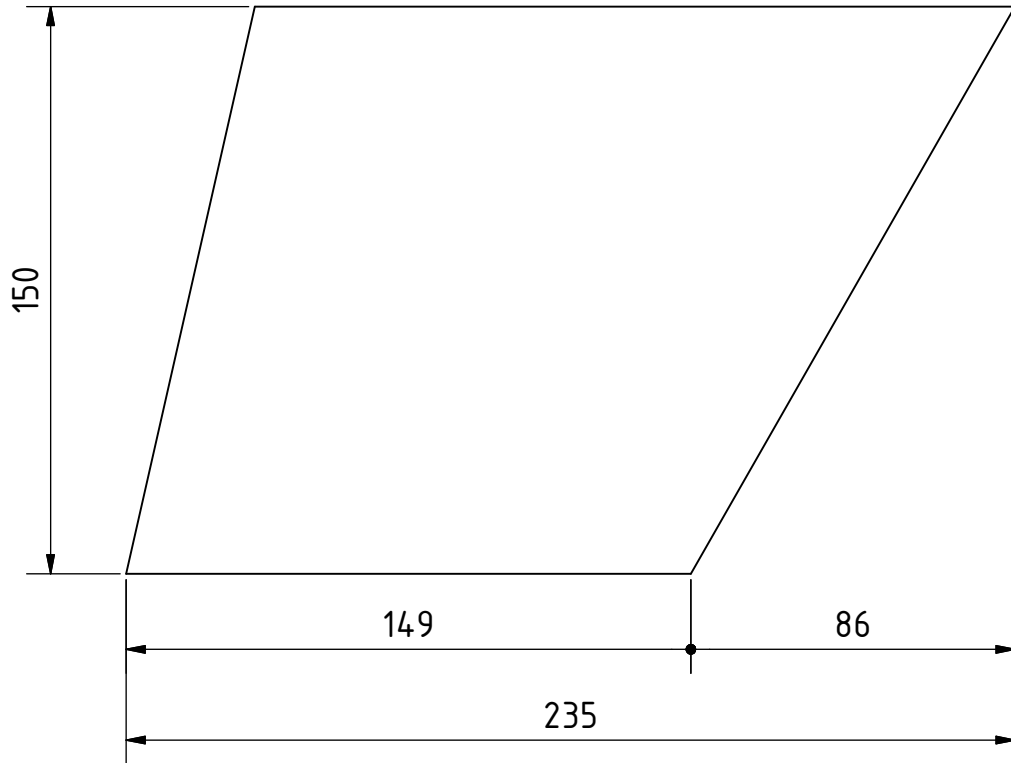
Size table	
Pos	d1
1.2.10_1	95 mm
1.2.10_2	45 mm

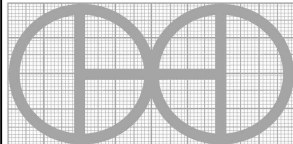
PROJECT	CREATED BY	APPROVED BY	DATE	VERSION	
Vertical Drum Hemp Harvester	A. Morillo	D. Jaeger	12-04-2024	0.05	
PART NAME	SPECIFICACIONES			CODE	
Part 1.2.10	Steel 235J2			1.2.10	
DEVELOPED BY	REDESIGNED BY	FILENAME		QTY	
Hanfasser		1.2.10.ipt		4 (2A,2B)	
		LICENSE	DOC. TYPE	SCALE	SHEET
		CC-BY-SA 4.0	Part	1 : 2	50 /146

OHO e.V.

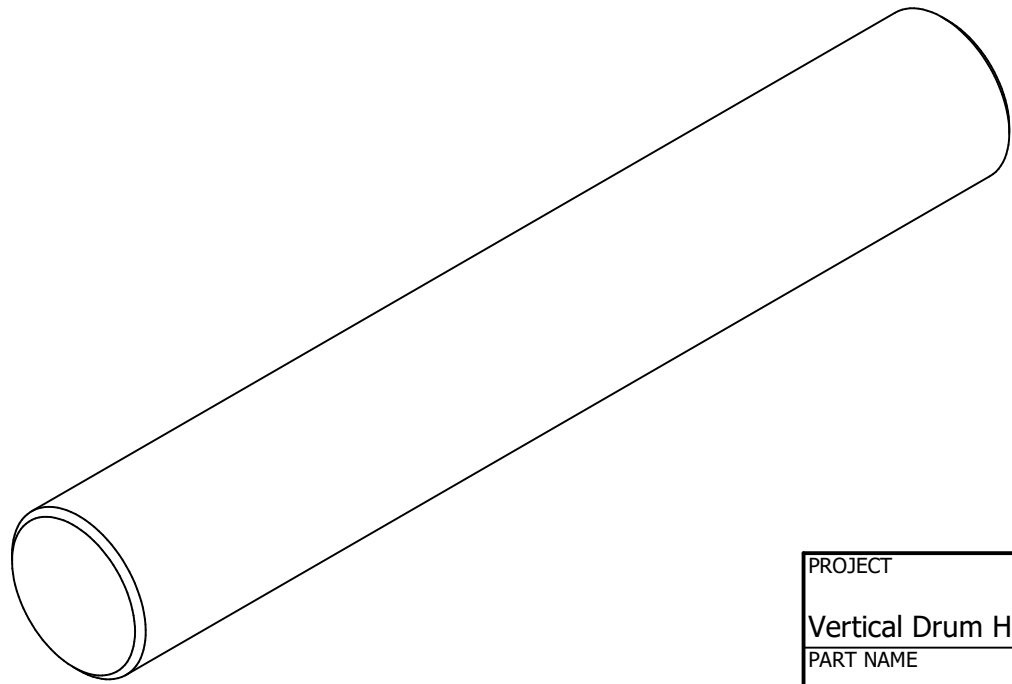
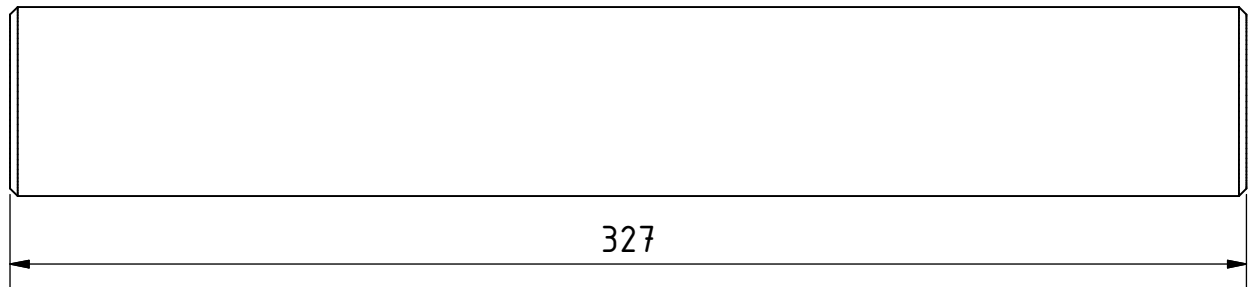
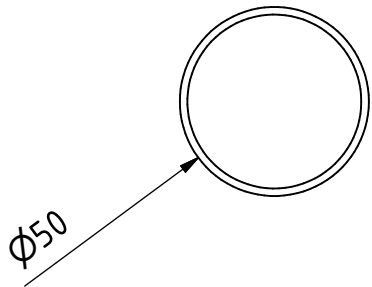


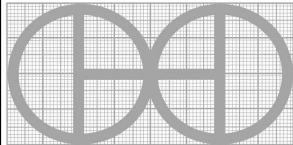
PROJECT	CREATED BY	APPROVED BY	DATE	VERSION	
Vertical Drum Hemp Harvester	A. Morillo	D. Jaeger	12-04-2024	0.05	
PART NAME	SPECIFICACIONES			CODE	
Upper handlebar_part11	Steel 235J2			1.2.11	
DEVELOPED BY	REDESIGNED BY	FILENAME		QTY	
Hanfasser		1.2.11.ipt		4	
		LICENSE	DOC. TYPE	SCALE	SHEET
		CC-BY-SA 4.0	Part	1 : 2	51 /146



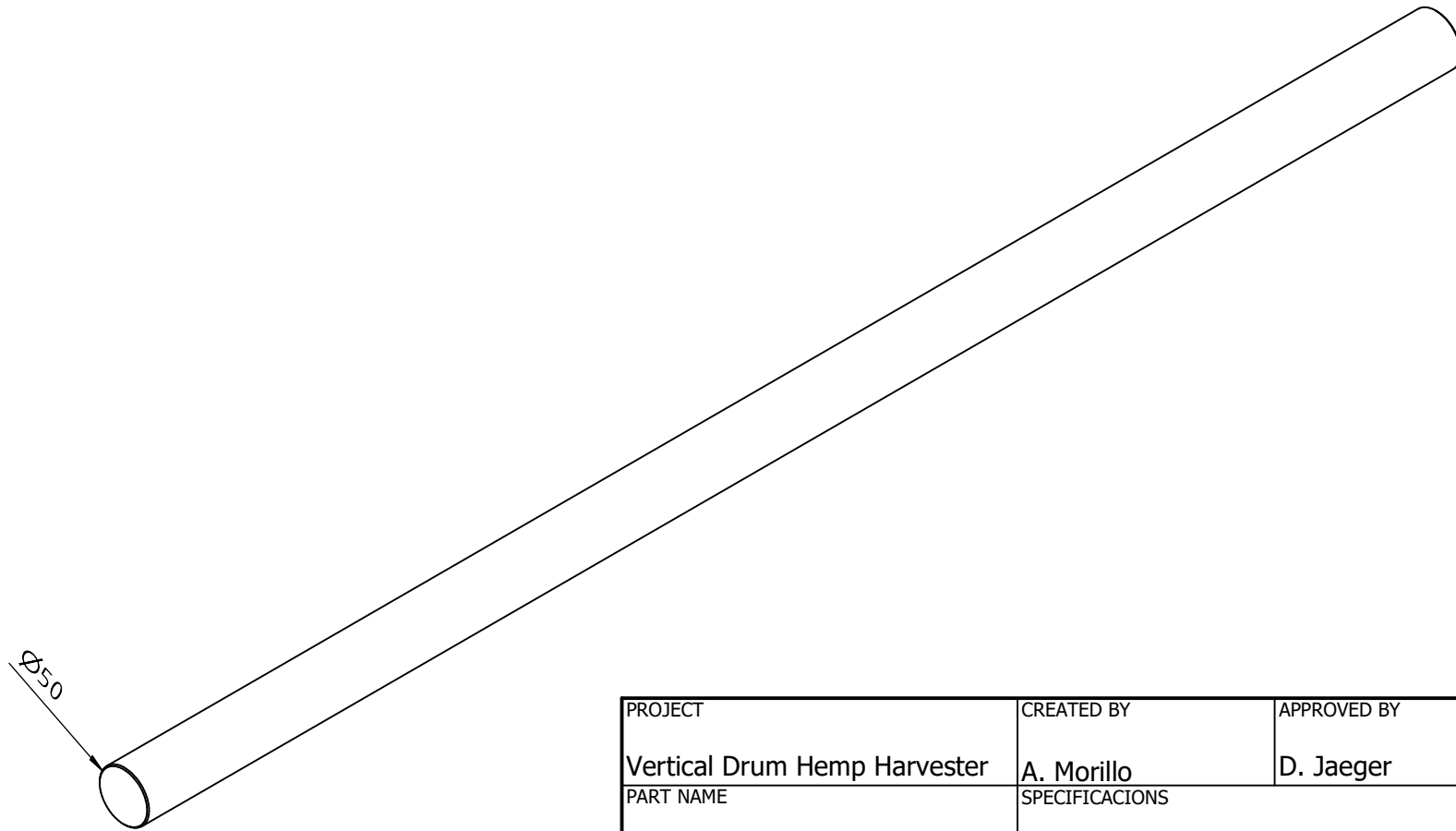
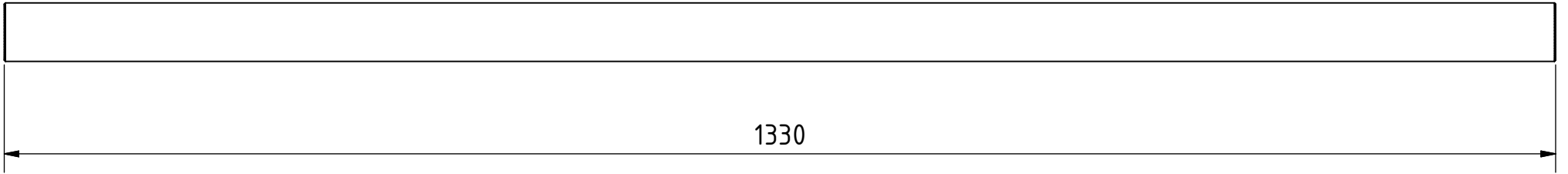
PROJECT	CREATED BY	APPROVED BY	DATE	VERSION	
Vertical Drum Hemp Harvester	A. Morillo	D. Jaeger	12-04-2024	0.05	
PART NAME	SPECIFICACIONES			CODE	
Upper handlebar_part11	Steel 235J2			1.2.12	
DEVELOPED BY	REDESIGNED BY	FILENAME		QTY	
Hanfasser		1.2.12.ipt		2	
		LICENSE	DOC. TYPE	SCALE	SHEET
		CC-BY-SA 4.0	Part	1 : 2	52 /146

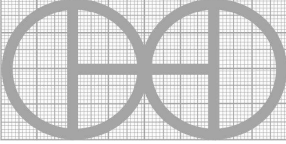
OHO e.V.



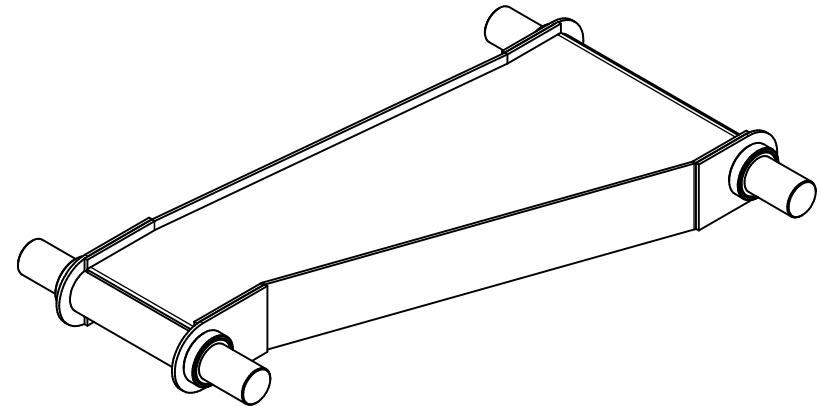
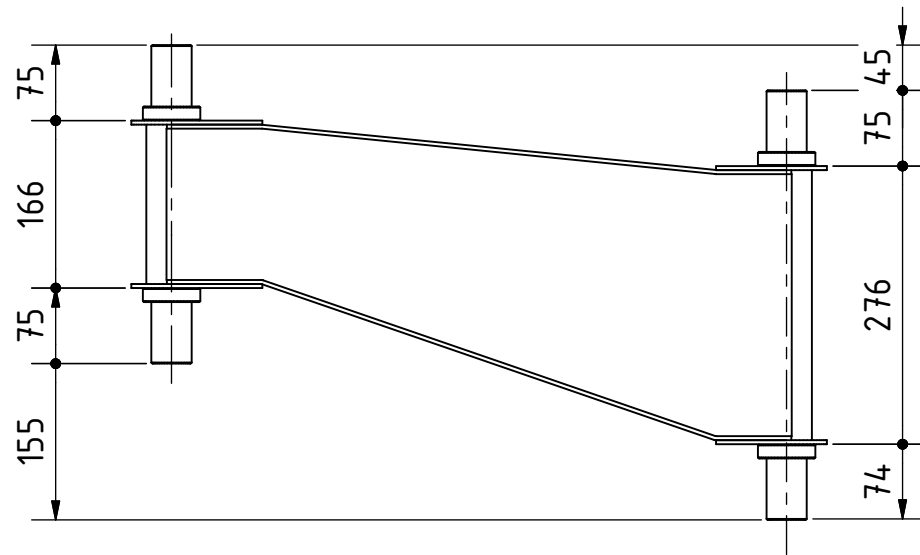
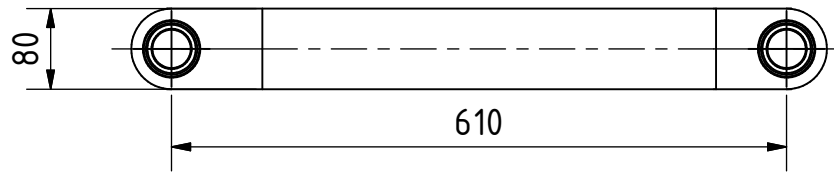
PROJECT	CREATED BY	APPROVED BY	DATE	VERSION	
Vertical Drum Hemp Harvester	A. Morillo	D. Jaeger	12-04-2024	0.05	
PART NAME	SPECIFICACIONES			CODE	
Upper handlebar_part11	Steel 235J2			1.2.13	
DEVELOPED BY	REDESIGNED BY	FILENAME		QTY	
Hanfasser		1.2.13.ipt		2	
		LICENSE	DOC. TYPE	SCALE	SHEET
		CC-BY-SA 4.0	Part	1 : 2	53 /146

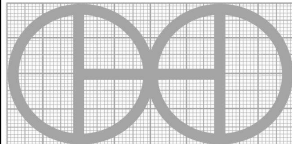
OHO e.V.

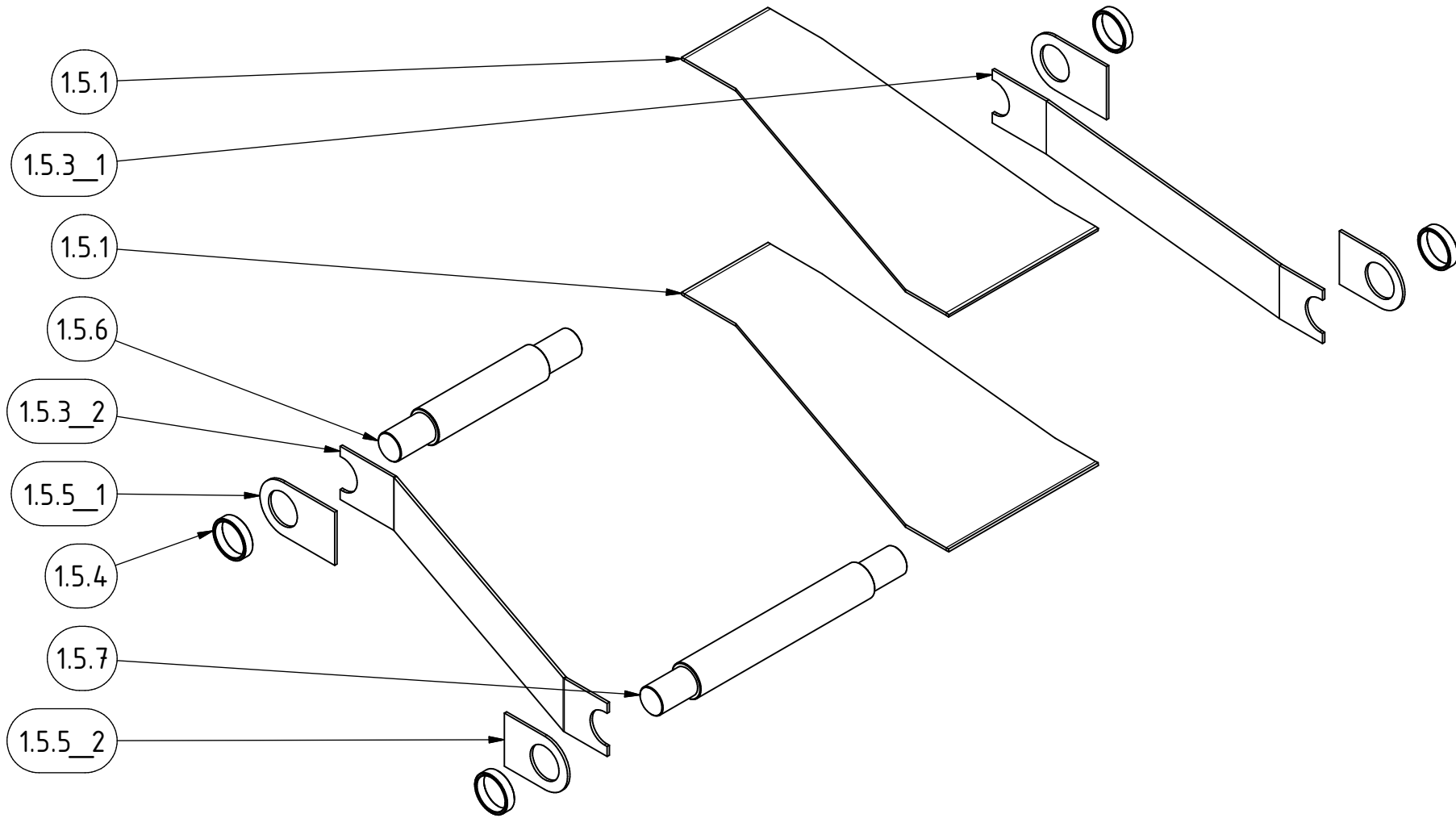


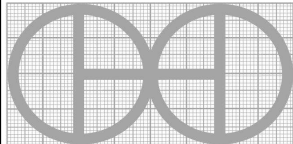
PROJECT	CREATED BY	APPROVED BY	DATE	VERSION	
Vertical Drum Hemp Harvester	A. Morillo	D. Jaeger	12-04-2024	0.05	
PART NAME	SPECIFICACIONES			CODE	
Axle	Steel 235J2			1.3.0	
DEVELOPED BY	REDESIGNED BY	FILENAME		QTY	
Hanfasser		1.3.ipt		1	
		LICENSE	DOC. TYPE	SCALE	SHEET
		CC-BY-SA 4.0	Part	1 : 5	54 /146

OHO e.V.

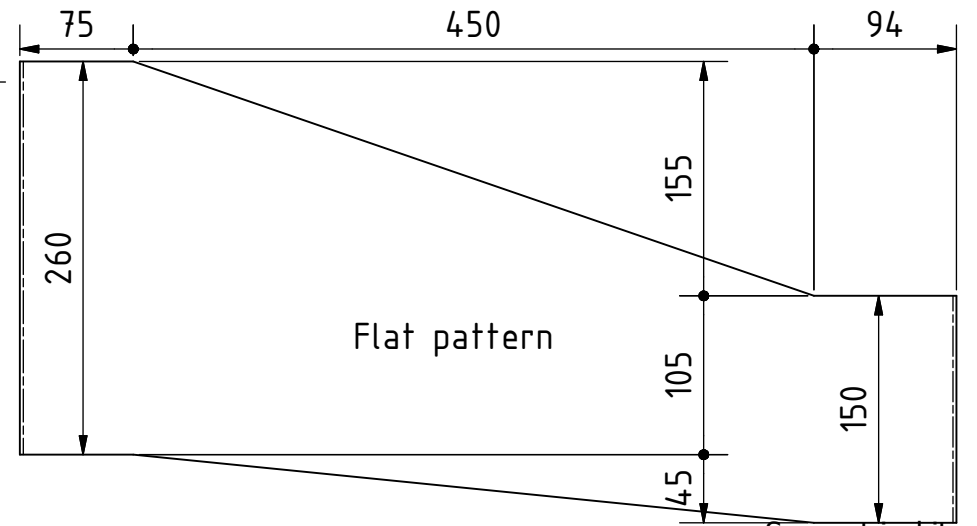
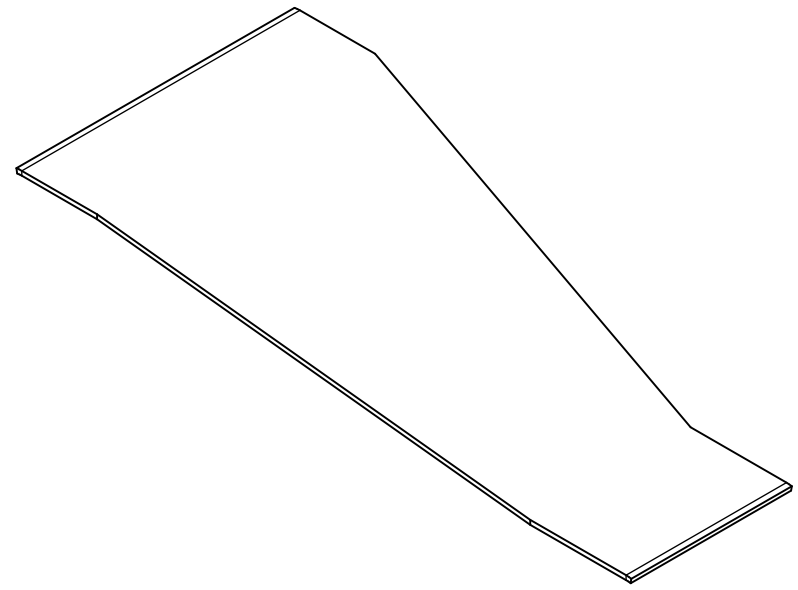
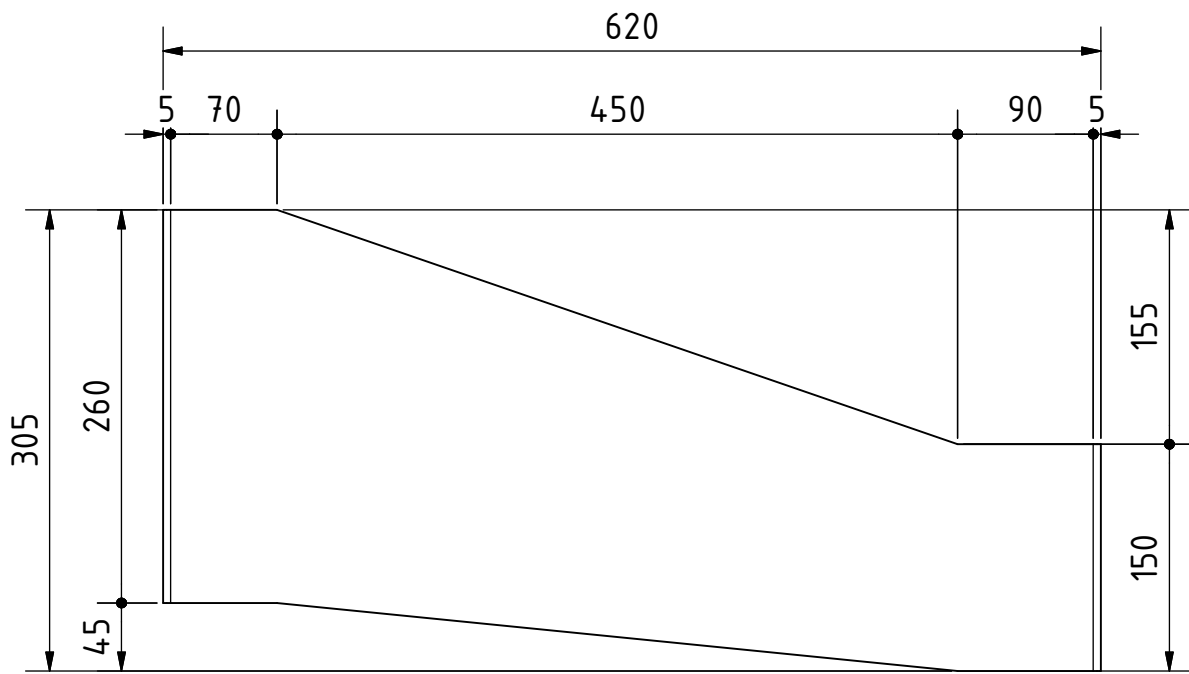


PROJECT	CREATED BY	APPROVED BY	DATE	VERSION
Vertical Drum Hemp Harvester	A. Morillo	D. Jaeger	12-04-2024	0.05
PART NAME	SPECIFICACIONES			CODE
Lower control arm				1.5.0
DEVELOPED BY	REDESIGNED BY	FILENAME	QTY	
		1.5.iam	2	
		LICENSE	DOC. TYPE	SCALE
Hanfasser		CC-BY-SA 4.0	Assembly	2 : 15
				SHEET
				55 /146



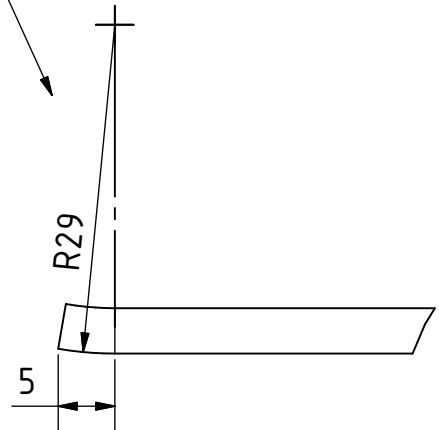
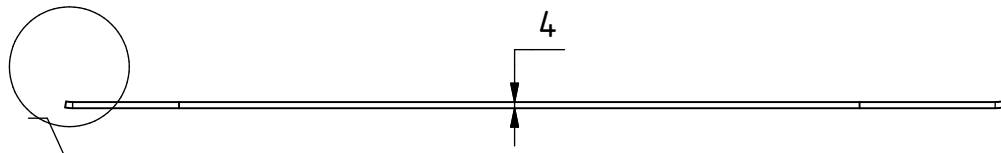
PROJECT	CREATED BY	APPROVED BY	DATE	VERSION
Vertical Drum Hemp Harvester	A. Morillo	D. Jaeger	12-04-2024	0.05
PART NAME	SPECIFICACIONES			CODE
Lower control arm				1.5.0
DEVELOPED BY	REDESIGNED BY	FILENAME	QTY	
		1.5.ipn	2	
Hanfasser		LICENSE	DOC. TYPE	SCALE
		CC-BY-SA 4.0	Assembly	2 : 15
				SHEET
				56 /146

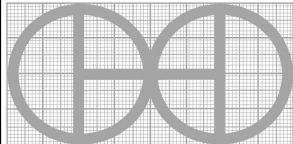
OHO e.V.

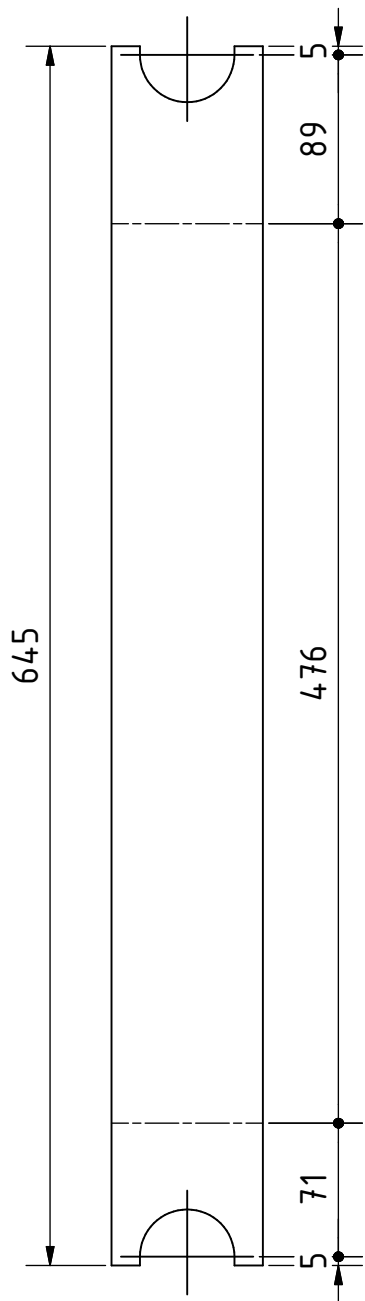


Flat pattern

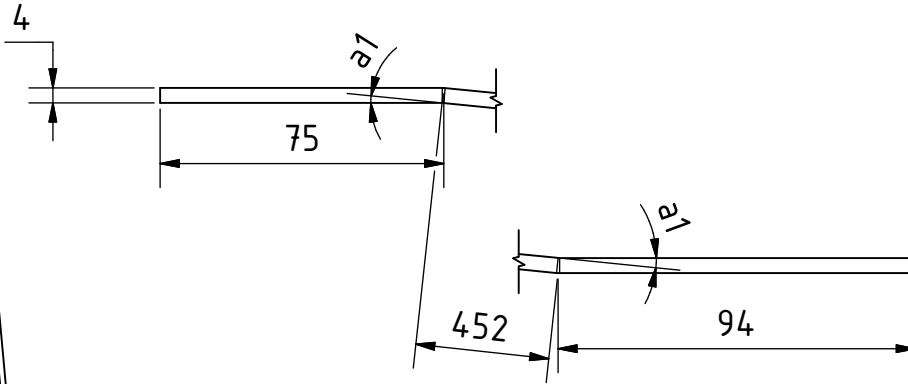
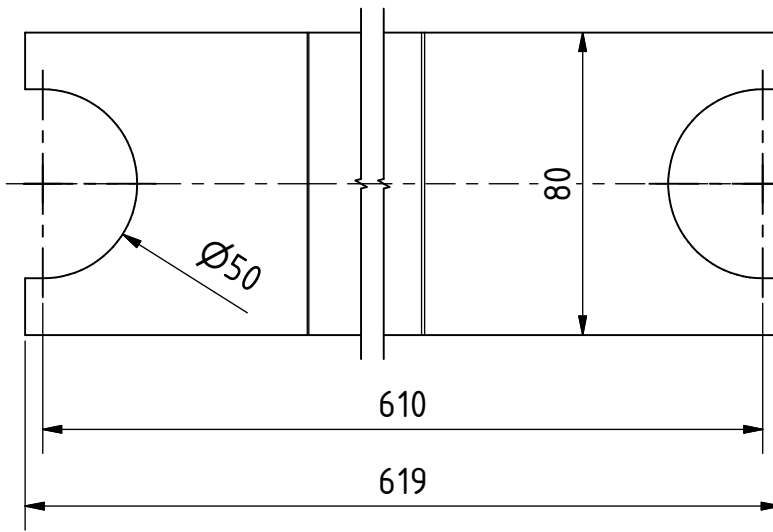
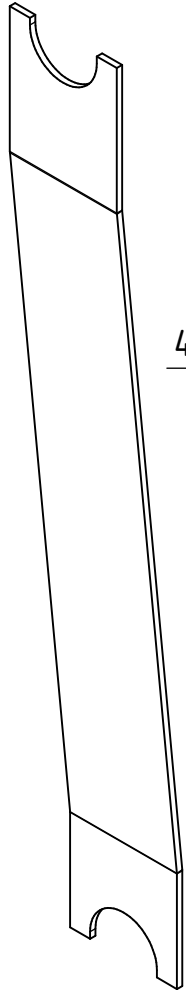
Symmetrical item



PROJECT	CREATED BY	APPROVED BY	DATE	VERSION	
Vertical Drum Hemp Harvester	A. Morillo	D. Jaeger	12-04-2024	0.05	
PART NAME	SPECIFICACIONES			CODE	
Part 1.5.1	Steel 235J2			1.5.1	
DEVELOPED BY	REDESIGNED BY	FILENAME	QTY		
Hanfasser		OHO e.V. 1.5.1.ipt	2		
		LICENSE	DOC. TYPE	SCALE	SHEET
		CC-BY-SA 4.0	Part	1 : 5	57 /146

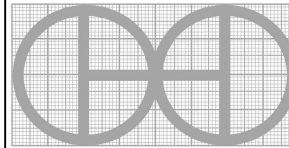


Flat pattern



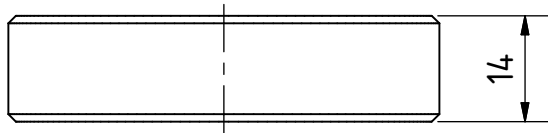
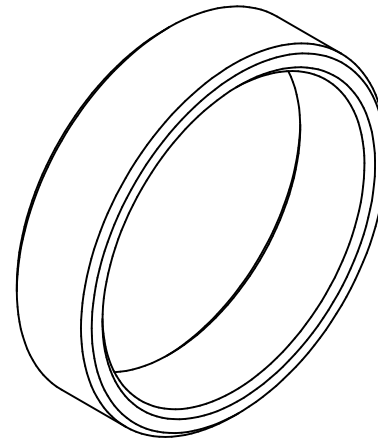
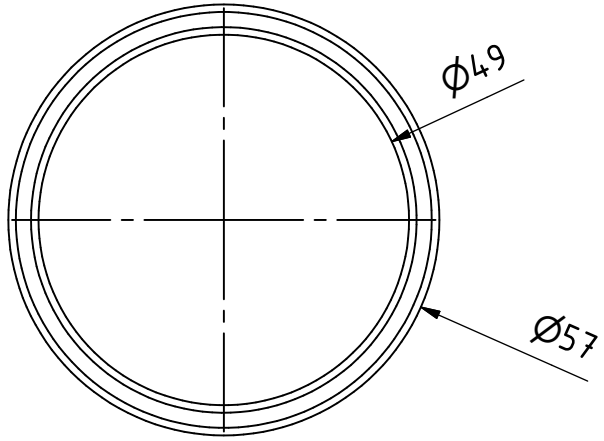
Size table	
Pos	a1
1.5.3_1	6°
1.5.3_2	11°

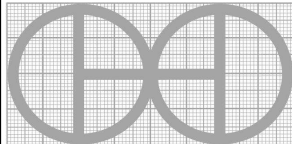
PROJECT	CREATED BY	APPROVED BY	DATE	VERSION
Vertical Drum Hemp Harvester	A. Morillo	D. Jaeger	12-04-2024	0.05
PART NAME	SPECIFICACIONES			CODE
Part 1.5.3	Steel 235J2			1.5.3
DEVELOPED BY	REDESIGNED BY	FILENAME		QTY
		1.5.3.ipt		8
		LICENSE	DOC. TYPE	SCALE
		CC-BY-SA 4.0	Part	1 : 2
				SHEET
				58 /146



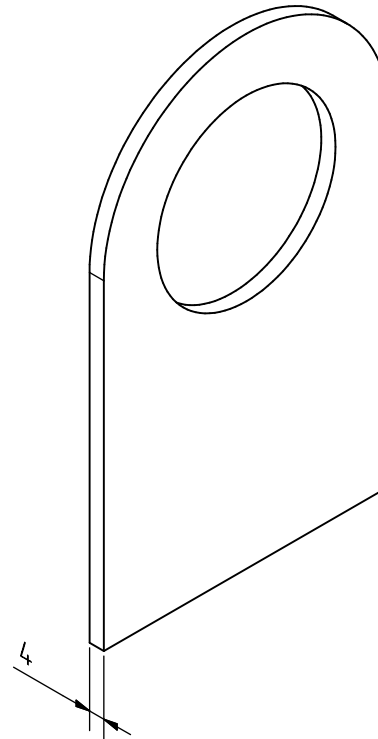
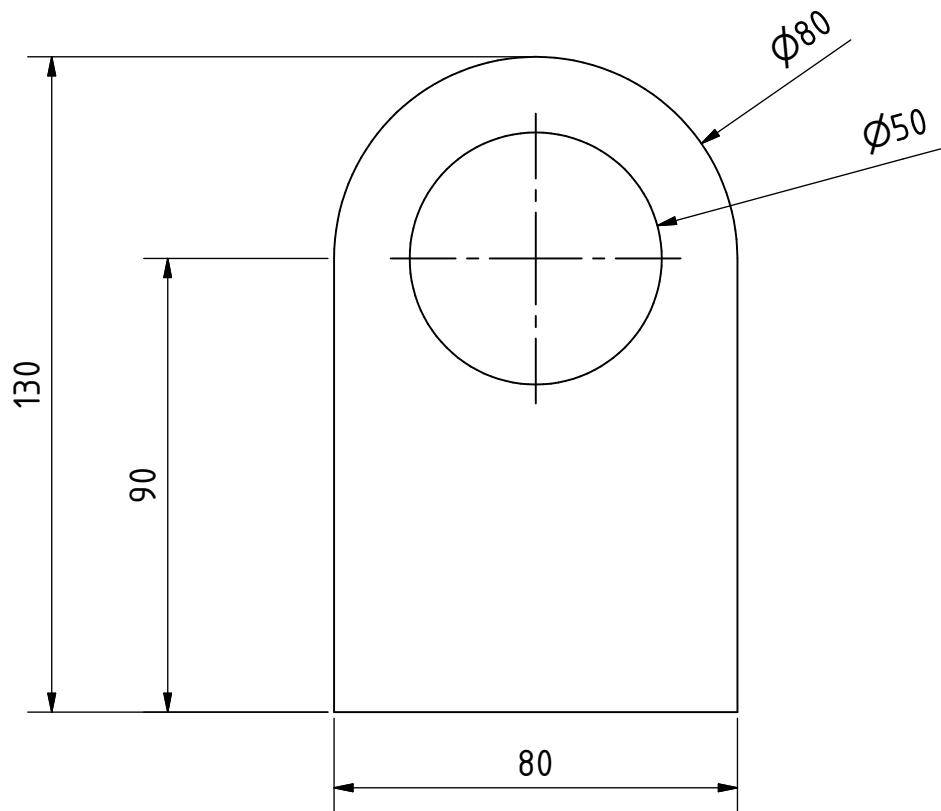
OHO e.V.

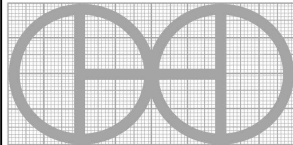
Hanfasser

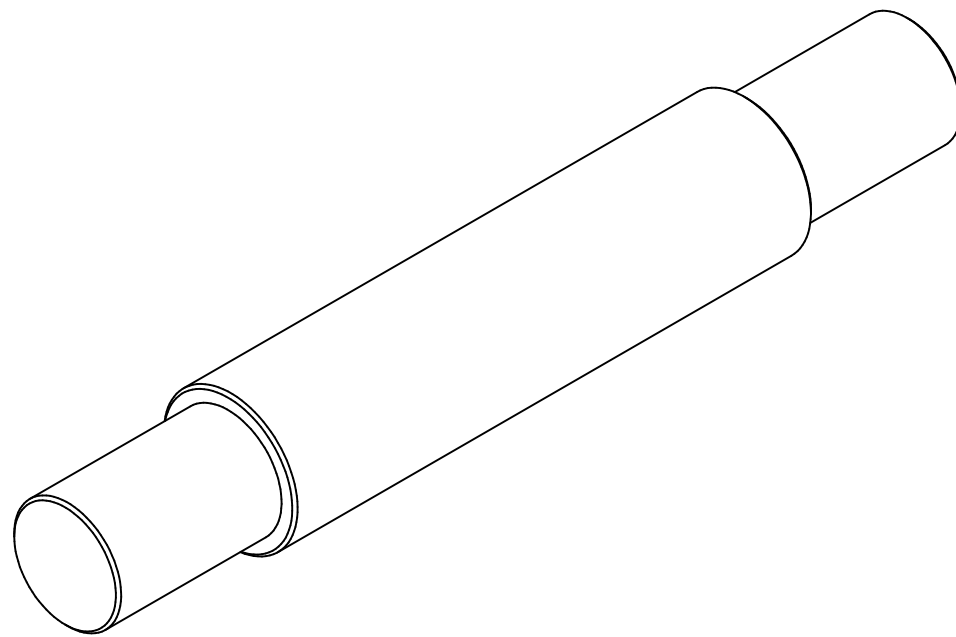
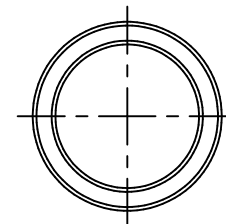
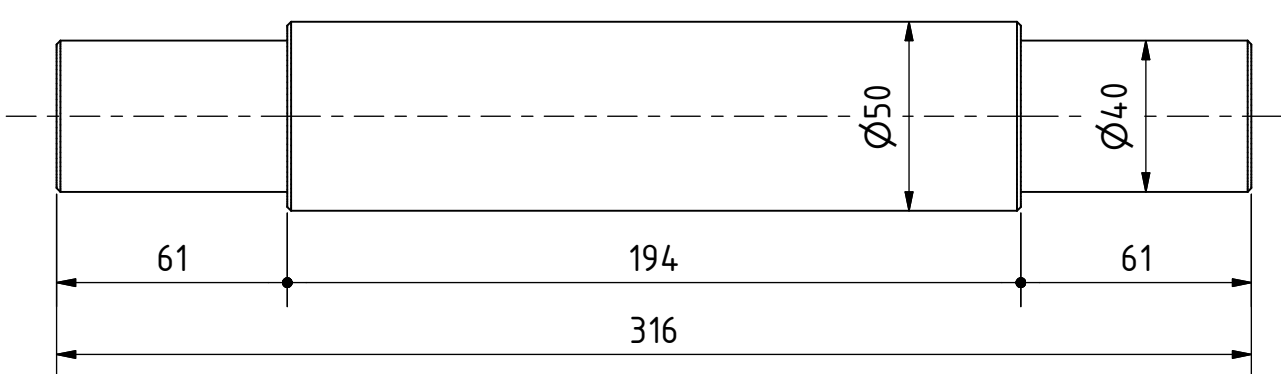


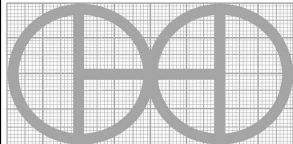
PROJECT	CREATED BY	APPROVED BY	DATE	VERSION	
Vertical Drum Hemp Harvester	A. Morillo	D. Jaeger	12-04-2024	0.05	
PART NAME	SPECIFICACIONES			CODE	
Part 1.5.4	Steel 235J2			1.5.4	
DEVELOPED BY	REDESIGNED BY	FILENAME		QTY	
Hanfasser		1.5.4.ipt		2	
		LICENSE	DOC. TYPE	SCALE	SHEET
		CC-BY-SA 4.0	Part	1 : 1	59 /146

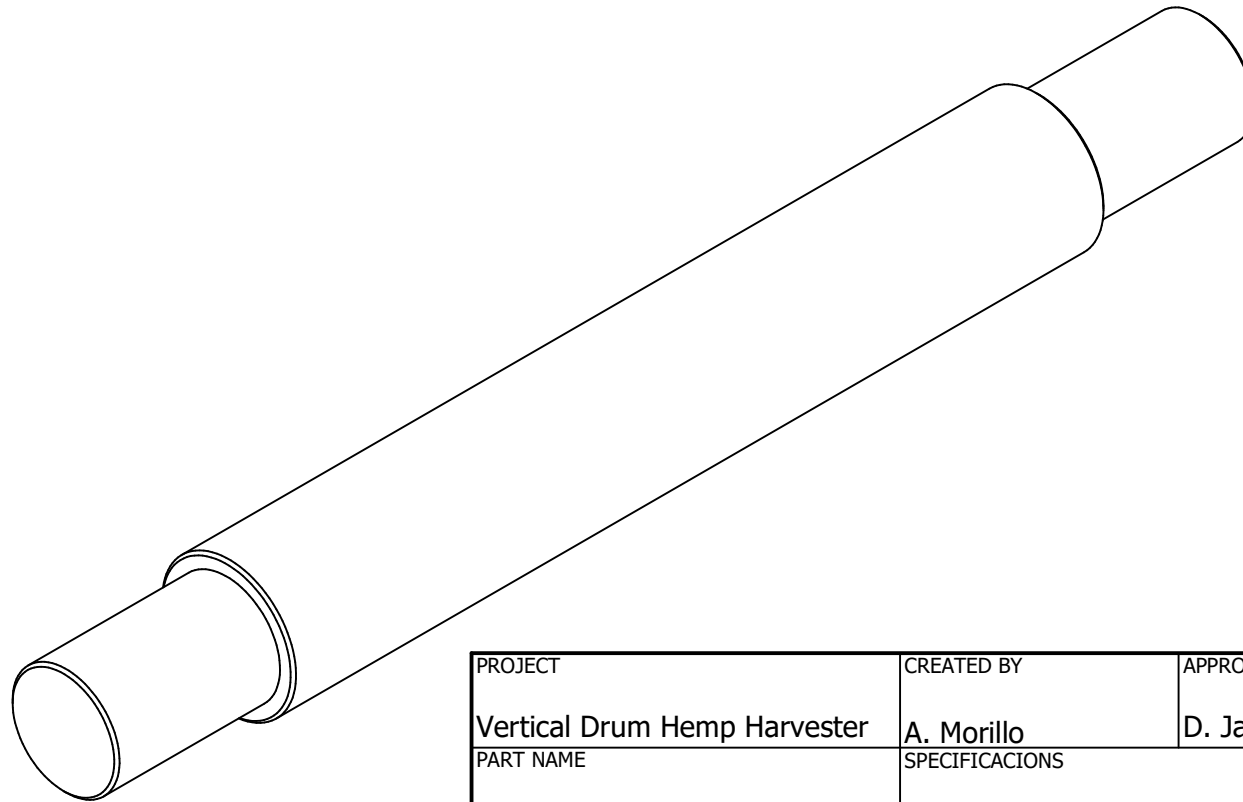
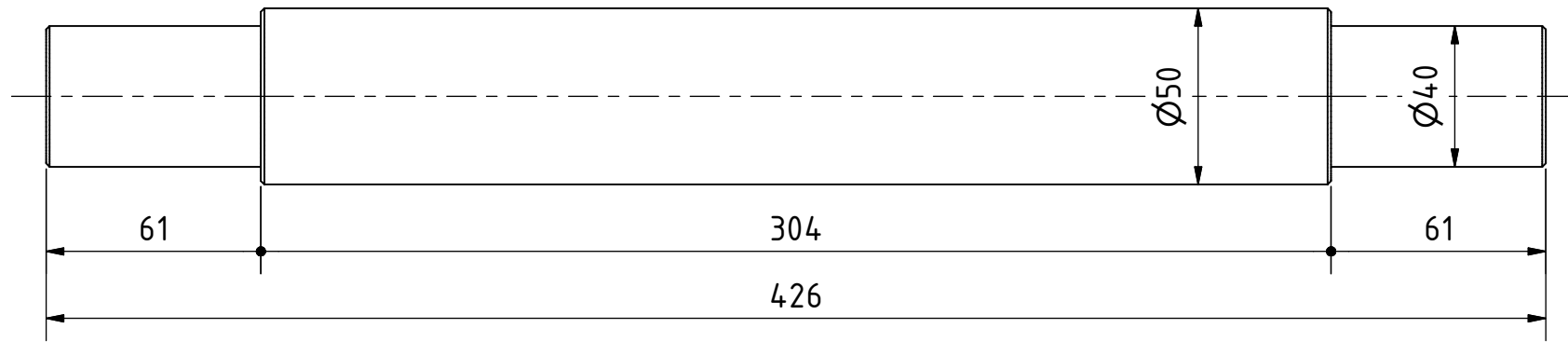
OHO e.V.

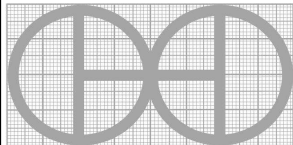


PROJECT	CREATED BY	APPROVED BY	DATE	VERSION	
Vertical Drum Hemp Harvester	A. Morillo	D. Jaeger	12-04-2024	0.05	
PART NAME	SPECIFICACIONES			CODE	
Part 1.5.5	Steel 235J2			1.5.5	
DEVELOPED BY	REDESIGNED BY	FILENAME		QTY	
Hanfasser		1.5.5.ipt		8	
		LICENSE	DOC. TYPE	SCALE	SHEET
		CC-BY-SA 4.0	Part	2 : 3	60 /146

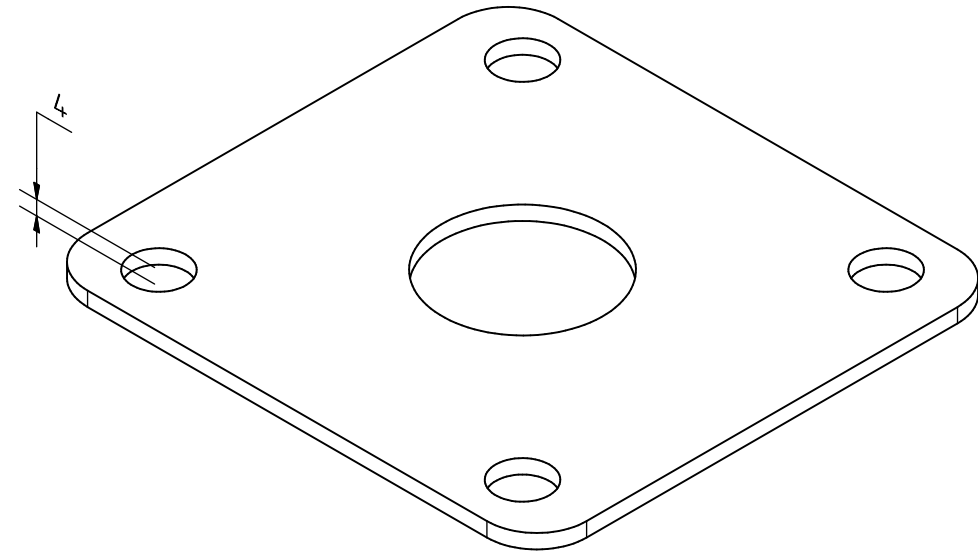
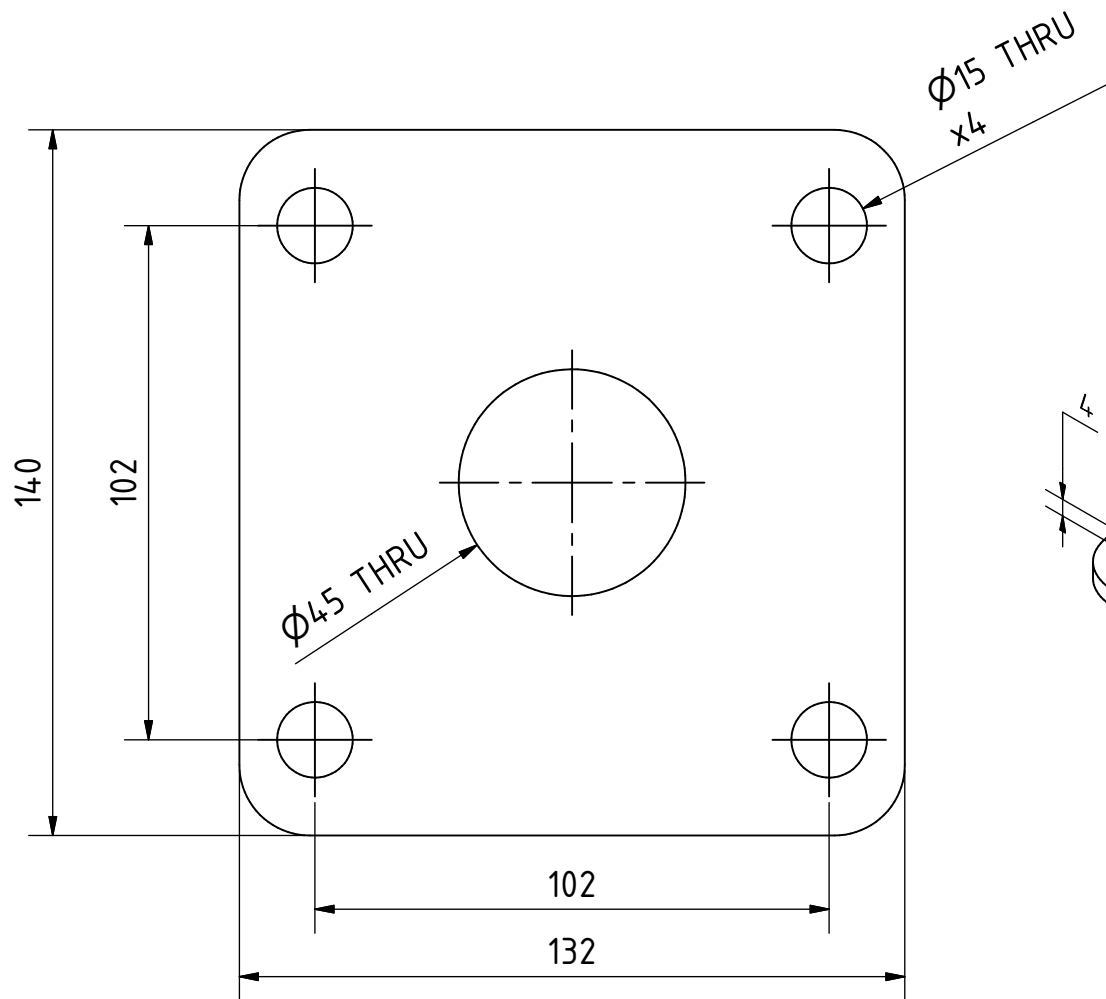


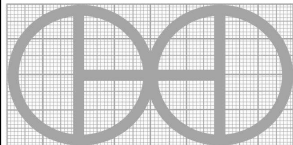
PROJECT		CREATED BY		APPROVED BY		DATE		VERSION	
Vertical Drum Hemp Harvester		A. Morillo		D. Jaeger		12-04-2024		0.05	
PART NAME		SPECIFICACIONES						CODE	
Part 1.5.6		Steel 235J2						1.5.6	
DEVELOPED BY		REDESIGNED BY		FILENAME				QTY	
Hanfasser				1.5.6.ipt				2	
				LICENSE		DOC. TYPE		SCALE	
				CC-BY-SA 4.0		Part		1 : 2	
								61 /146	

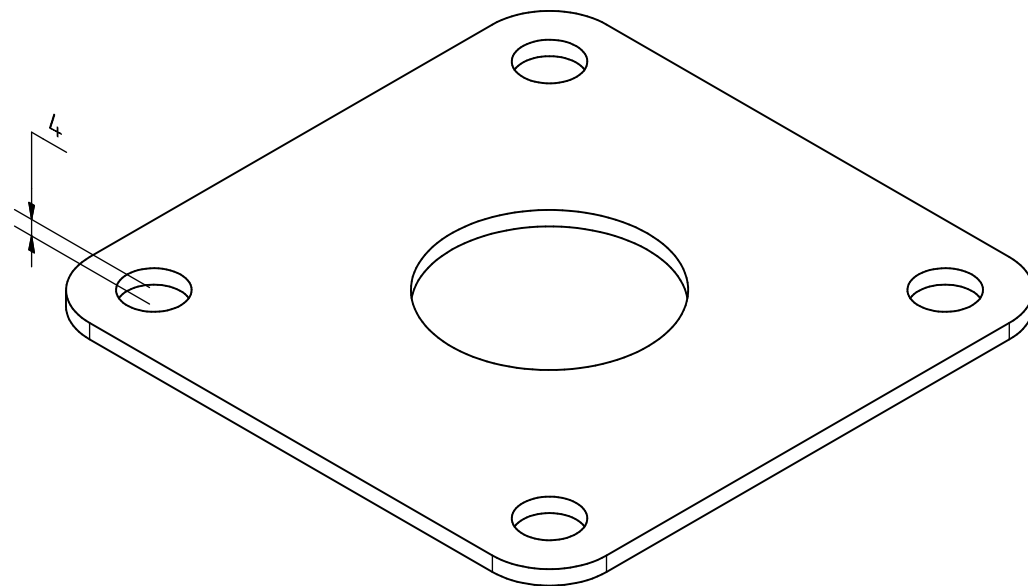
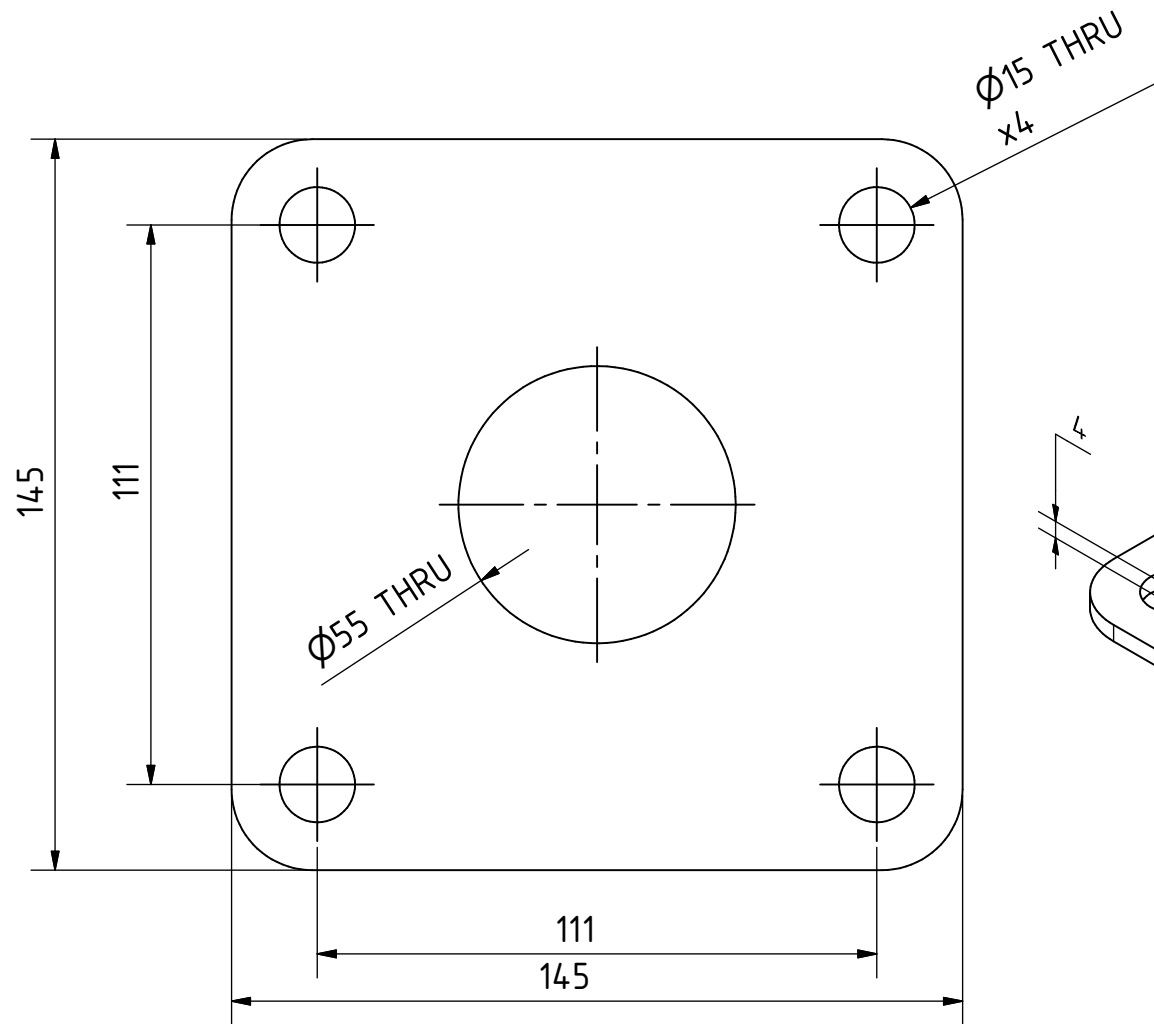


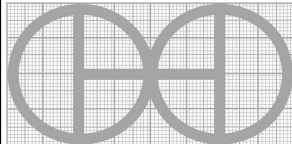
PROJECT	CREATED BY	APPROVED BY	DATE	VERSION	
Vertical Drum Hemp Harvester	A. Morillo	D. Jaeger	12-04-2024	0.05	
PART NAME	SPECIFICACIONES			CODE	
Part 1.5.7	Steel 235J2			1.5.7	
DEVELOPED BY	REDESIGNED BY	FILENAME		QTY	
Hanfasser		1.5.7.ipt		2	
		LICENSE	DOC. TYPE	SCALE	SHEET
		CC-BY-SA 4.0	Part	1 : 2	62 /146

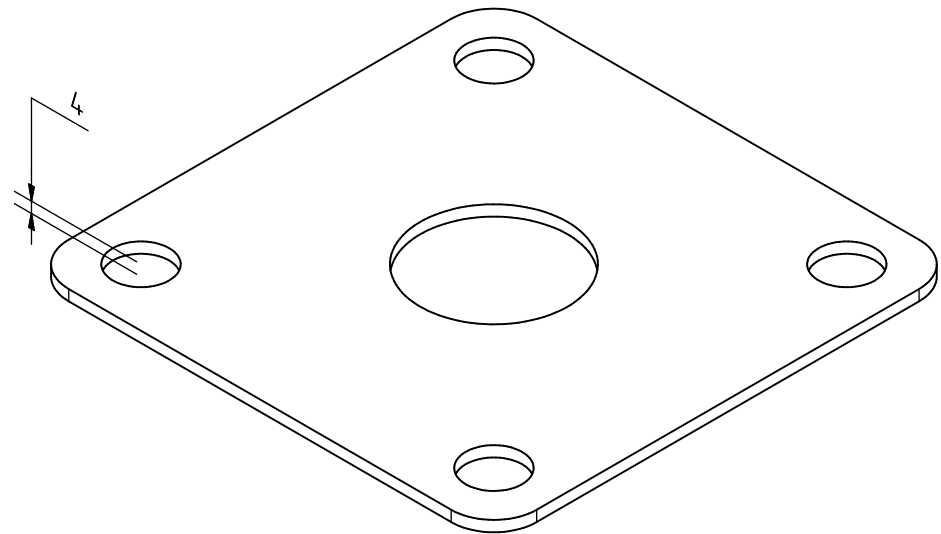
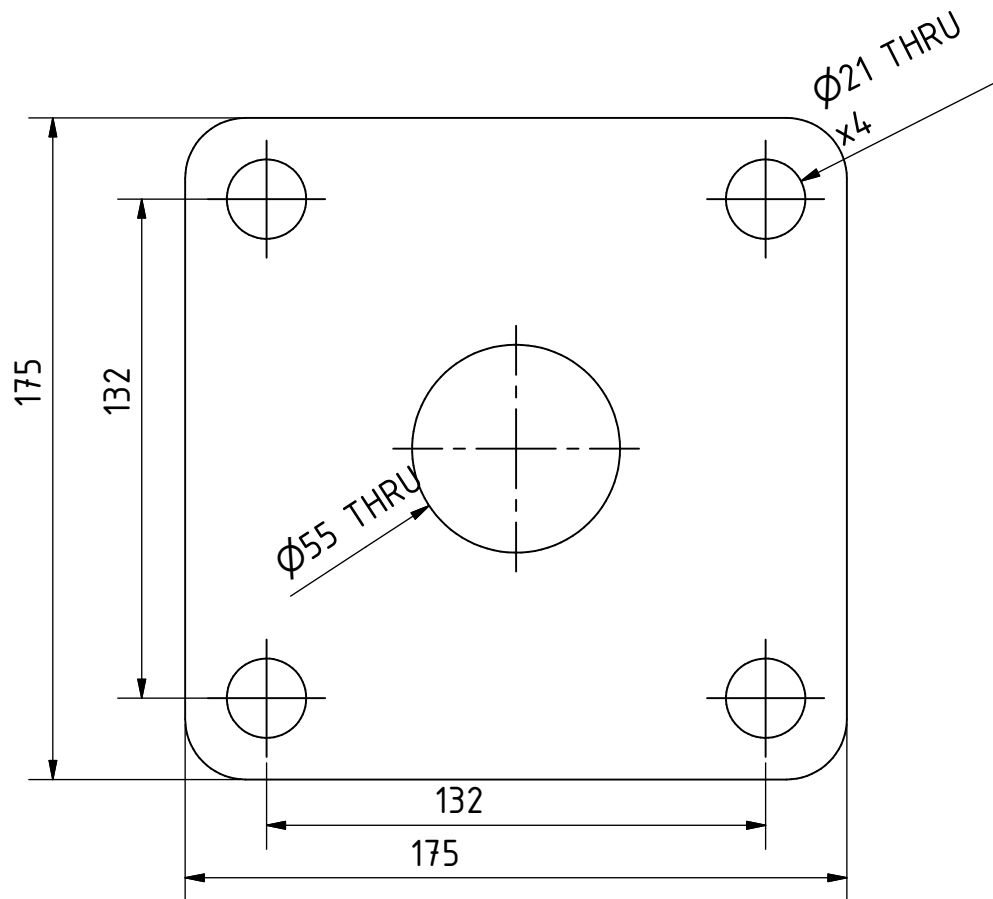
OHO e.V.

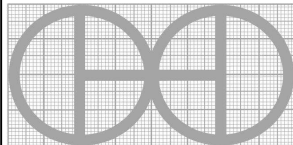


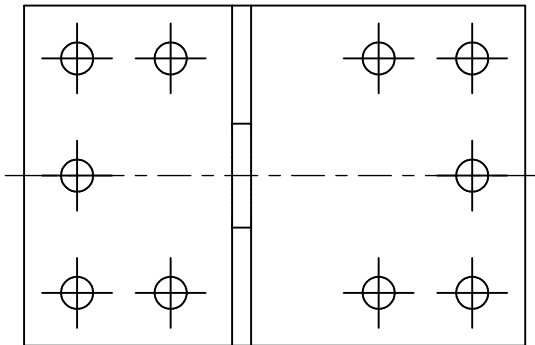
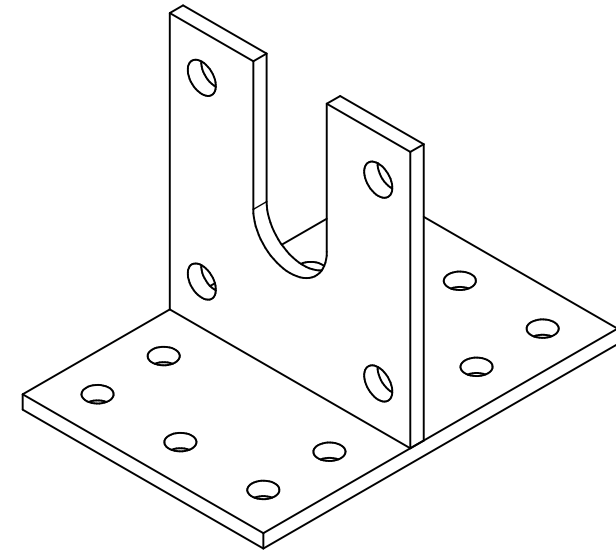
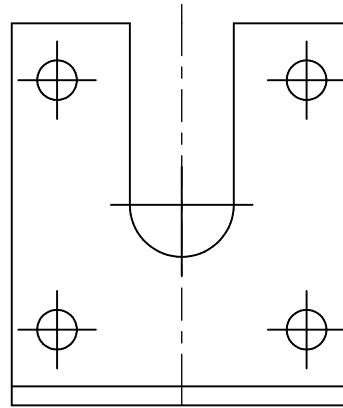
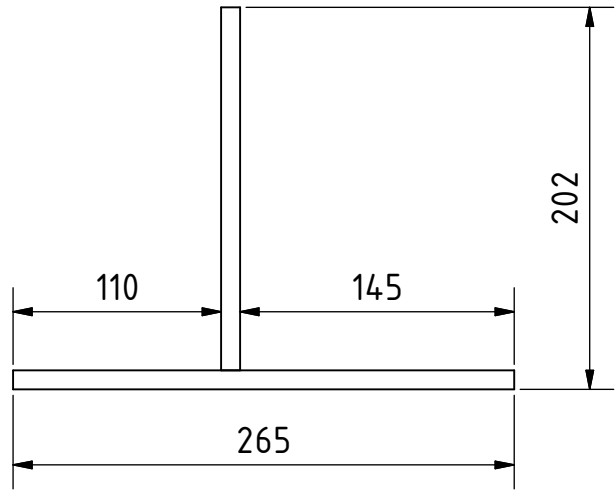
PROJECT	CREATED BY	APPROVED BY	DATE	VERSION	
Vertical Drum Hemp Harvester	A. Morillo	D. Jaeger	12-04-2024	0.05	
PART NAME	SPECIFICACIONES			CODE	
Reinforcement plate 2	Steel 235J2, For Bearing UCF 208			1.7.0	
DEVELOPED BY	REDESIGNED BY	FILENAME	QTY		
Hanfasser		1.7.ipt	8		
		LICENSE	DOC. TYPE	SCALE	SHEET
		CC-BY-SA 4.0	Part	2 : 3	63 /146



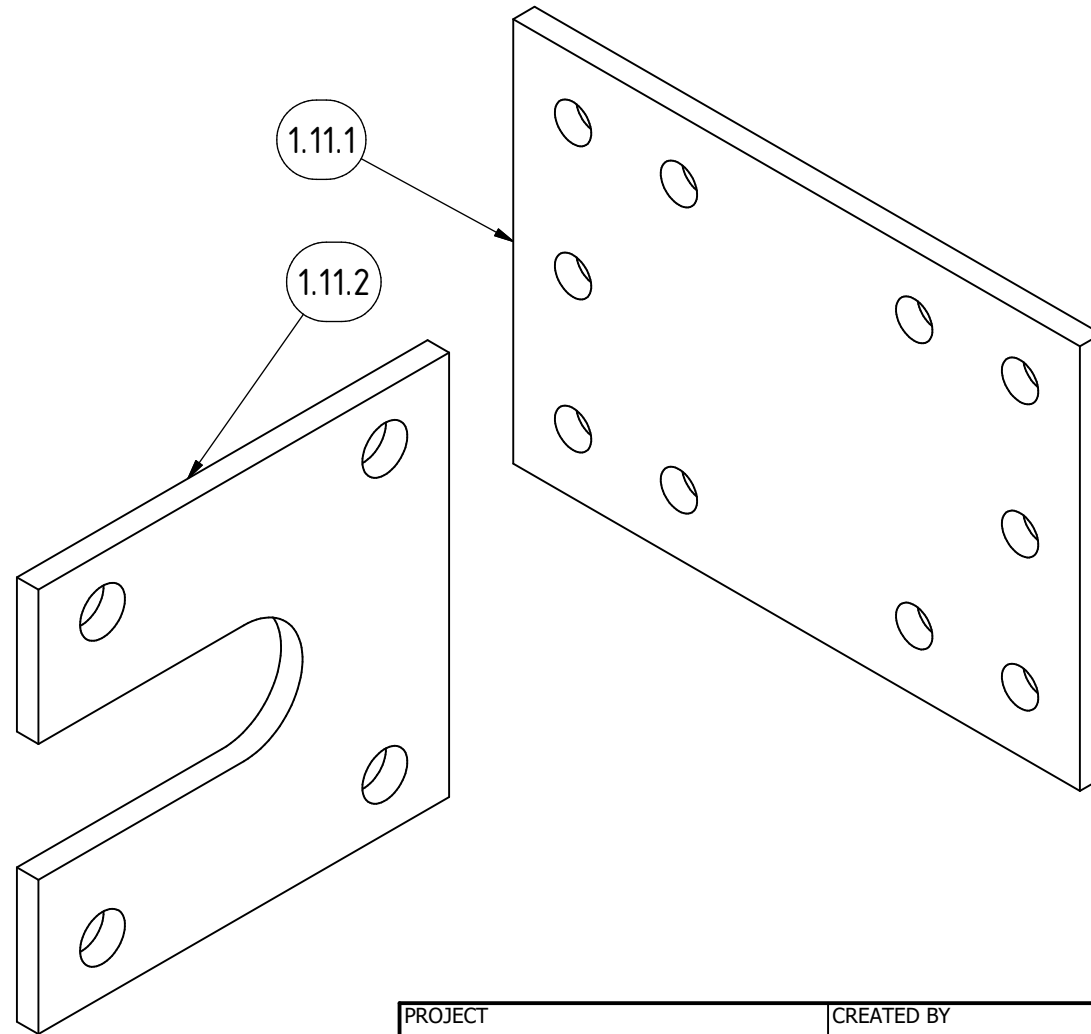
PROJECT	CREATED BY	APPROVED BY	DATE	VERSION
Vertical Drum Hemp Harvester	A. Morillo	D. Jaeger	12-04-2024	0.05
PART NAME	SPECIFICACIONES			CODE
Reinforcement plate	Steel 235J2, for bearing UCF 210			1.8.0
DEVELOPED BY	REDESIGNED BY	FILENAME		QTY
		1.8.ipt		4
		LICENSE	DOC. TYPE	SCALE
Hanfasser		CC-BY-SA 4.0	Part	2 : 3
				SHEET
				64 /146

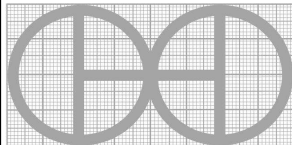


PROJECT	CREATED BY	APPROVED BY	DATE	VERSION
Vertical Drum Hemp Harvester	A. Morillo	D. Jaeger	12-04-2024	0.05
PART NAME	SPECIFICACIONES			CODE
Reinforcement plate	Steel 235J2, for bearing UCF 310			1.9.0
DEVELOPED BY	REDESIGNED BY	FILENAME		QTY
		1.9.ipt		4
		LICENSE	DOC. TYPE	SCALE
Hanfasser		CC-BY-SA 4.0	Part	1 : 2
				SHEET
				65 /146

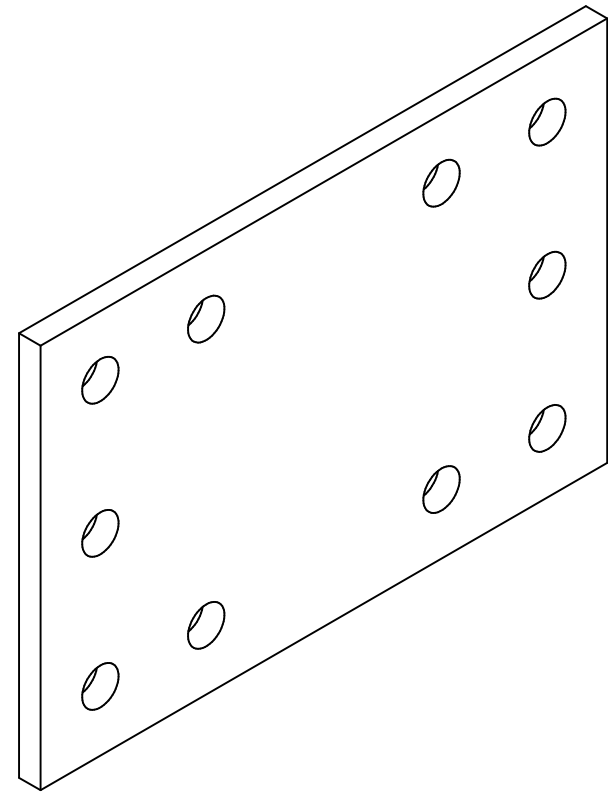
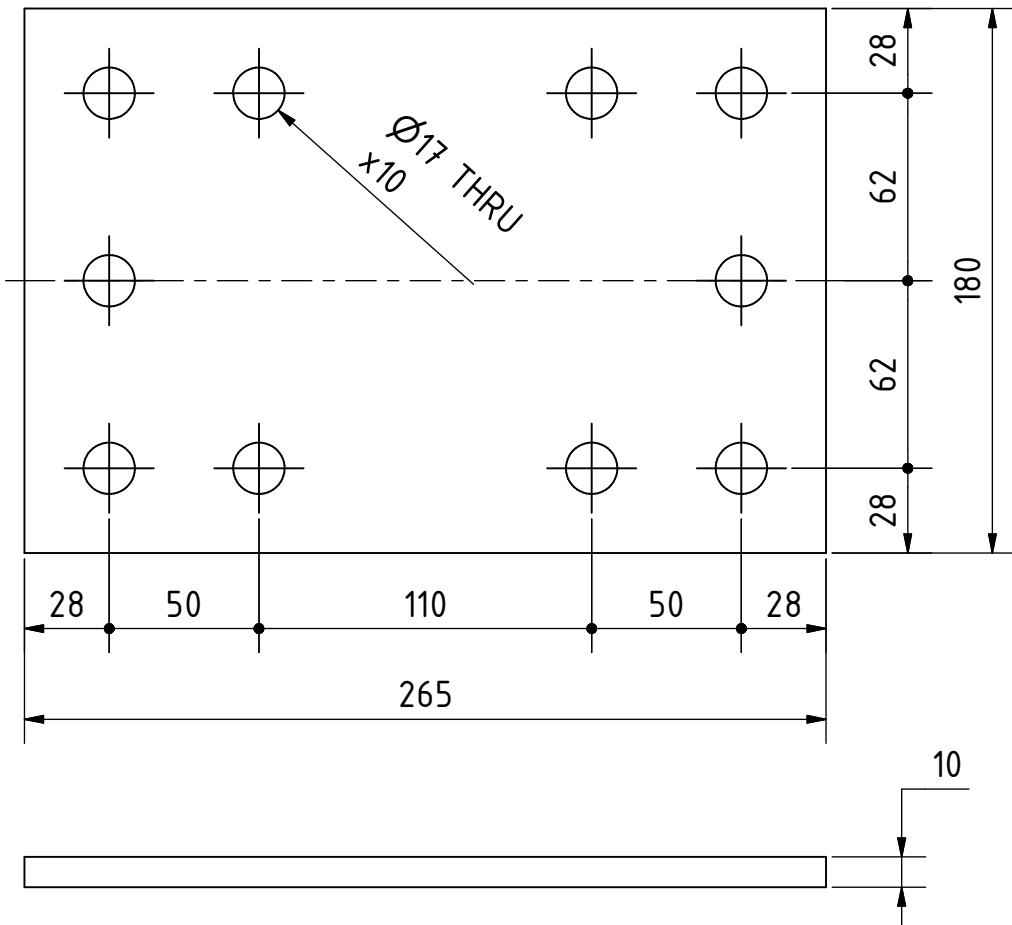


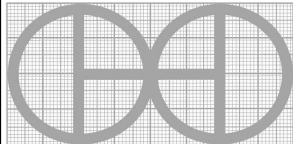
PROJECT	CREATED BY	APPROVED BY	DATE	VERSION
Vertical Drum Hemp Harvester	A. Morillo	D. Jaeger	12-04-2024	0.05
PART NAME	SPECIFICACIONES			CODE
Bracket for flange mounting				1.11.0
DEVELOPED BY	REDESIGNED BY	FILENAME		QTY
		1.11.iam		2
		LICENSE	DOC. TYPE	SCALE
Handfasser		CC-BY-SA 4.0	Assembly	1 : 4
				SHEET
				66 /146

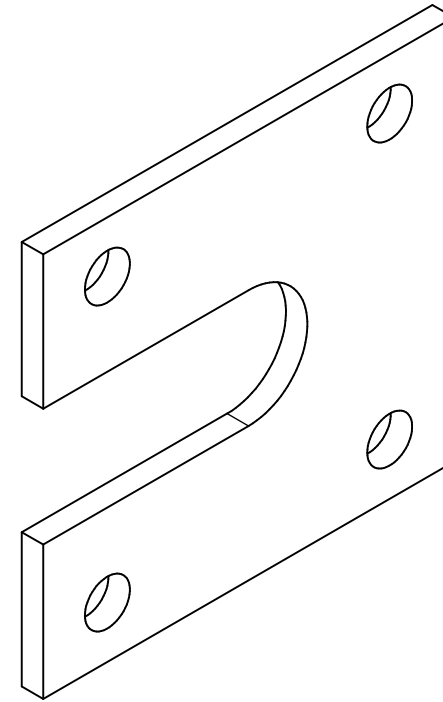
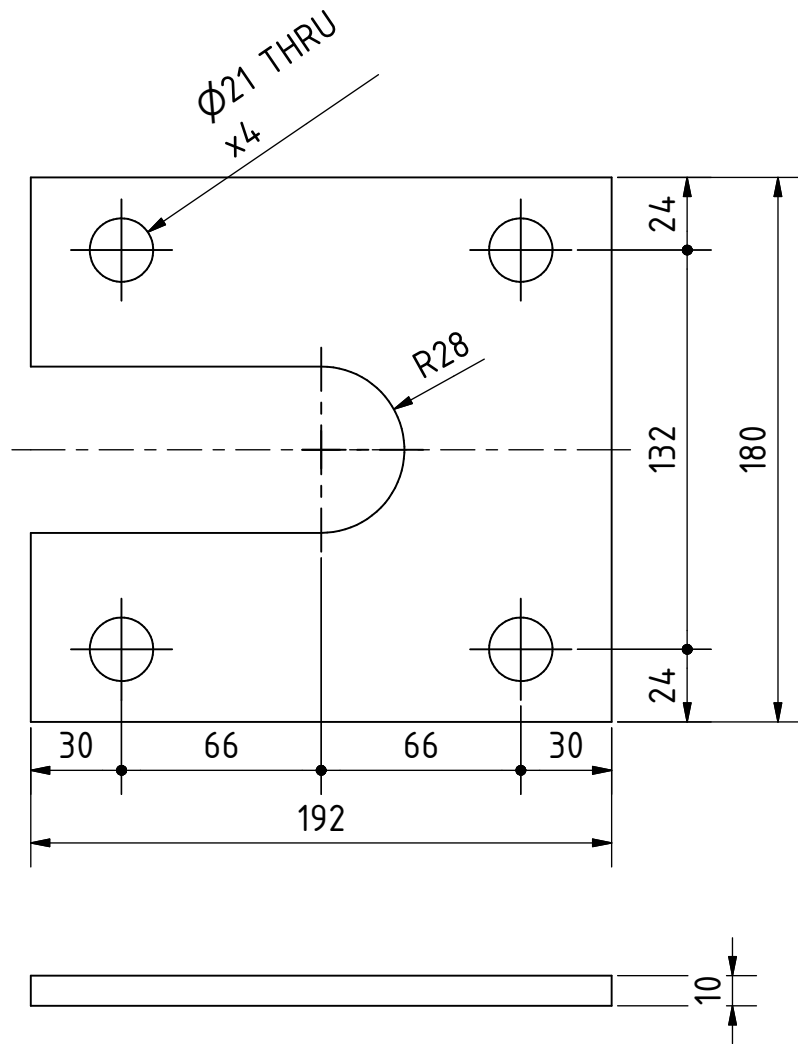


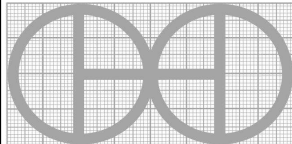
PROJECT	CREATED BY	APPROVED BY	DATE	VERSION
Vertical Drum Hemp Harvester	A. Morillo	D. Jaeger	12-04-2024	0.05
PART NAME	SPECIFICACIONES			CODE
Bracket for flange mounting				1.11.0
DEVELOPED BY	REDESIGNED BY	FILENAME	QTY	
		1.11.ipn	2	
		LICENSE	DOC. TYPE	SCALE
Hanfasser		CC-BY-SA 4.0	Assembly	2 : 5
				SHEET
				67 /146

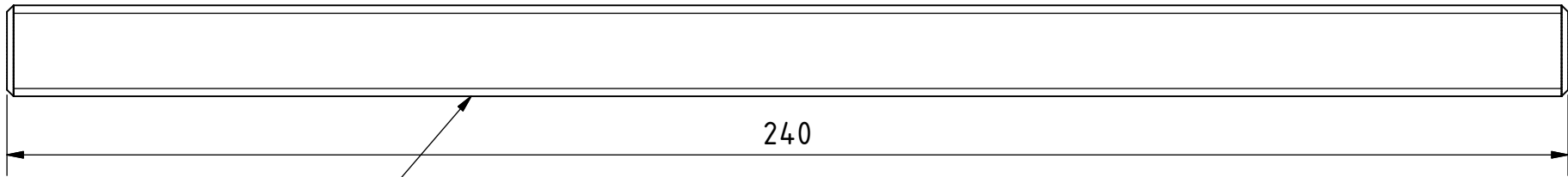
OHO e.V.



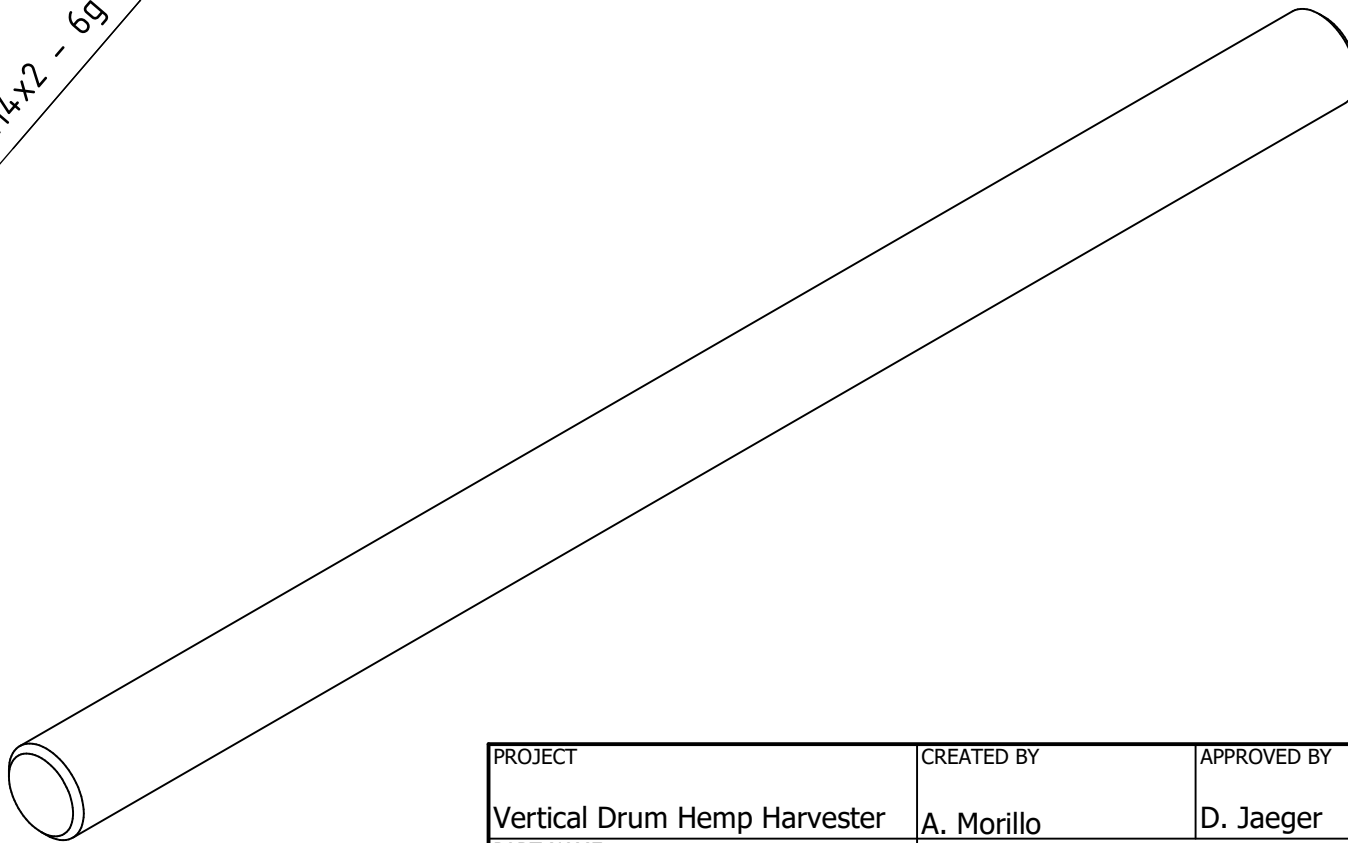
PROJECT	CREATED BY	APPROVED BY	DATE	VERSION
Vertical Drum Hemp Harvester	A. Morillo	D. Jaeger	12-04-2024	0.05
PART NAME	SPECIFICACIONES			CODE
Part 1.11.1	Steel 235J2			1.11.1
DEVELOPED BY	REDESIGNED BY	FILENAME		QTY
		1.11.1.ipt		2
		LICENSE	DOC. TYPE	SCALE
Hanfasser		CC-BY-SA 4.0	Part	2 : 5
				SHEET
				68 /146

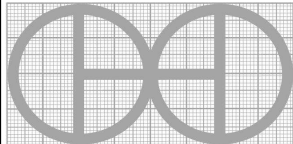


PROJECT	CREATED BY	APPROVED BY	DATE	VERSION
Vertical Drum Hemp Harvester	A. Morillo	D. Jaeger	12-04-2024	0.05
PART NAME	SPECIFICACIONES			CODE
Part 1.11.2	Steel 235J2			1.11.2
DEVELOPED BY	REDESIGNED BY	FILENAME		QTY
		1.11.2.ipt		2
Hanfasser		LICENSE	DOC. TYPE	SCALE
		CC-BY-SA 4.0	Part	2 : 5
				SHEET
				69 /146

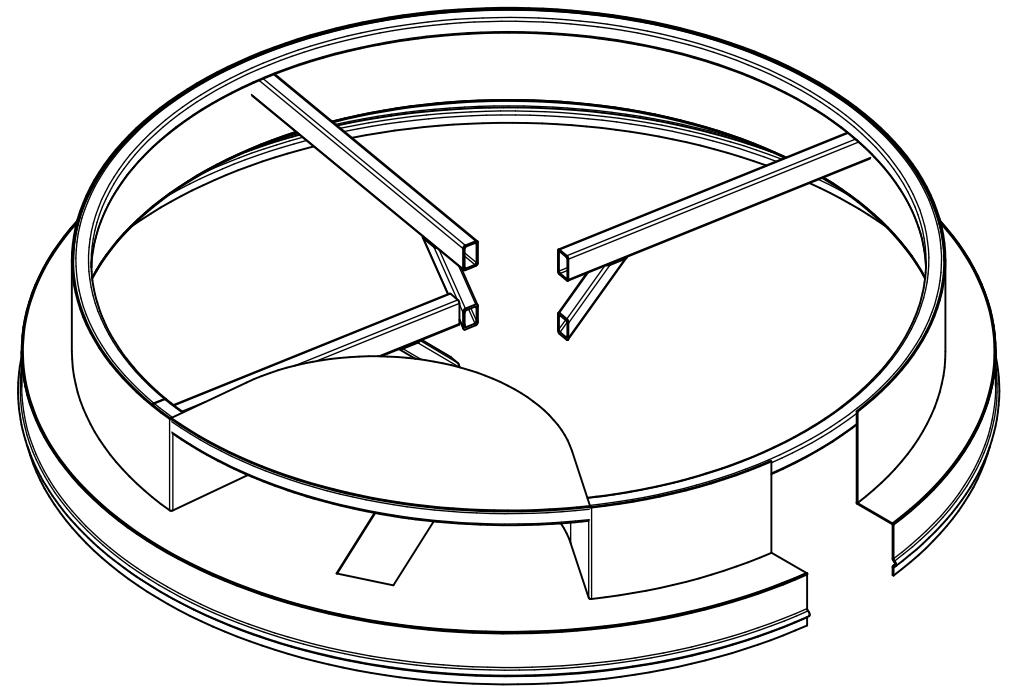
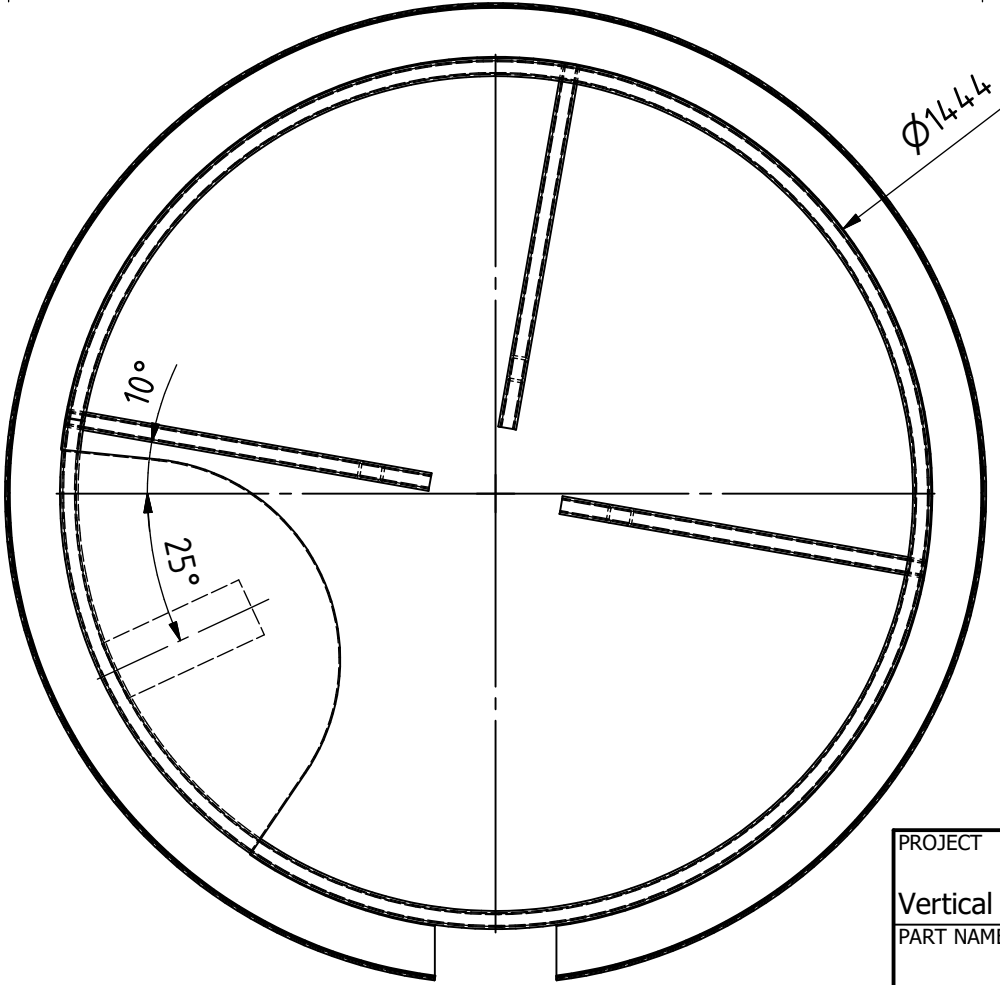
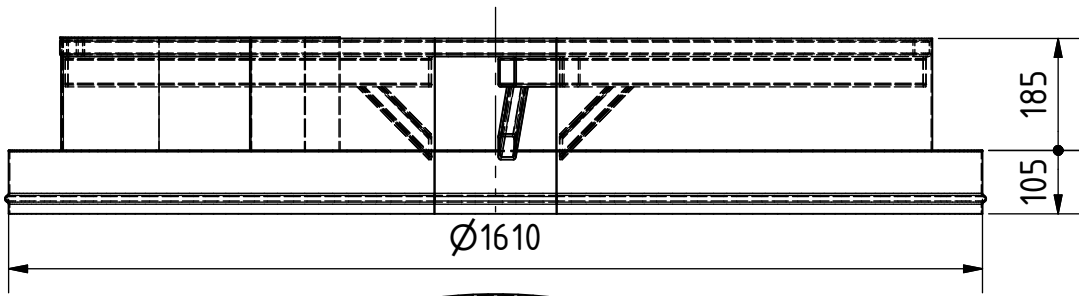


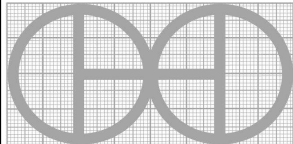
M14x2 - 6g

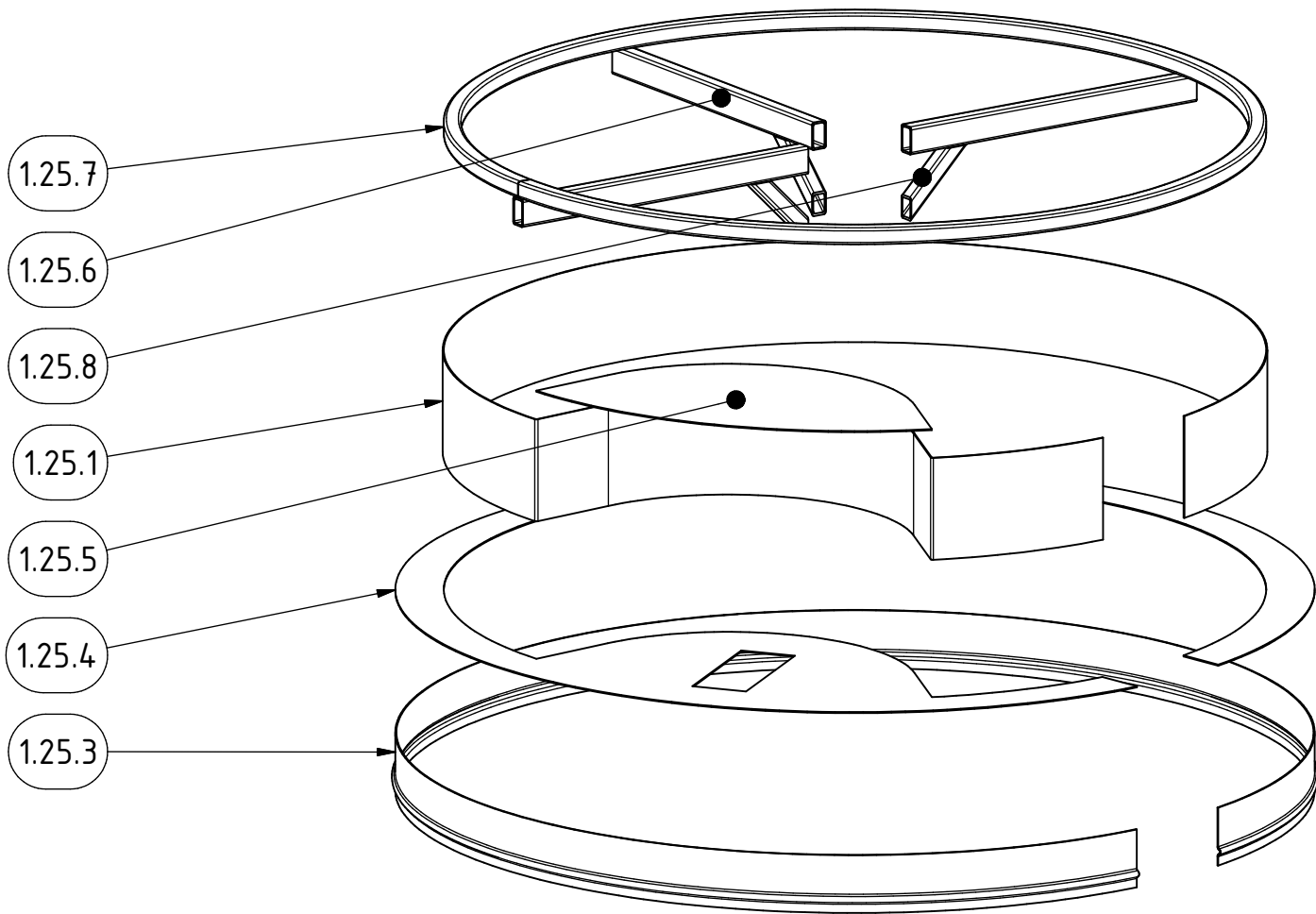


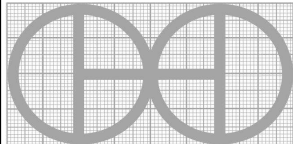
PROJECT	CREATED BY	APPROVED BY	DATE	VERSION	
Vertical Drum Hemp Harvester	A. Morillo	D. Jaeger	12-04-2024	0.05	
PART NAME	SPECIFICACIONES			CODE	
Thread M14	M14*240			1.24.0	
DEVELOPED BY	REDESIGNED BY	FILENAME		QTY	
Hanfasser		1.24.ipt		6	
		LICENSE	DOC. TYPE	SCALE	SHEET
		CC-BY-SA 4.0	Part	1 : 1	70 /146

OHO e.V.

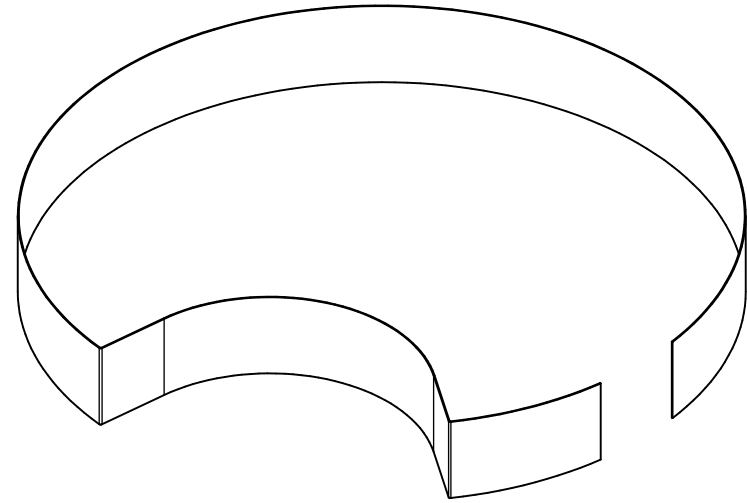
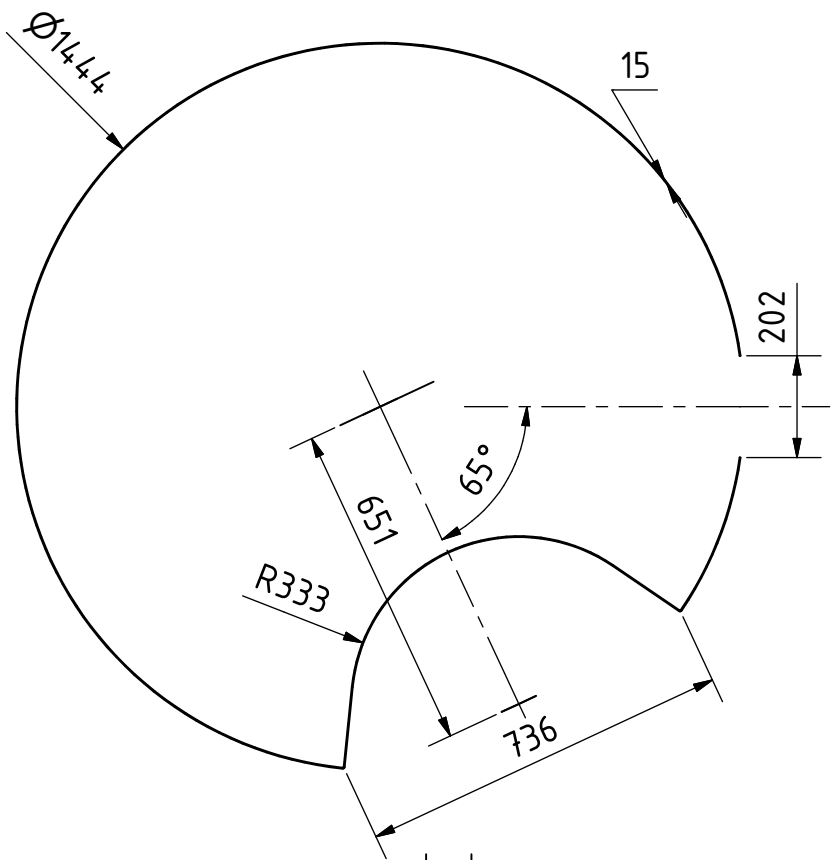


PROJECT	CREATED BY	APPROVED BY	DATE	VERSION
Vertical Drum Hemp Harvester	A. Morillo	D. Jaeger	12-04-2024	0.05
PART NAME	SPECIFICACIONES			CODE
Feeding drums 1				1.25.0
DEVELOPED BY	REDESIGNED BY	FILENAME	QTY	
		1.25.iam	2	
Hanfasser		LICENSE	DOC. TYPE	SCALE SHEET
		CC-BY-SA 4.0	Assembly	2 : 25 71 /146

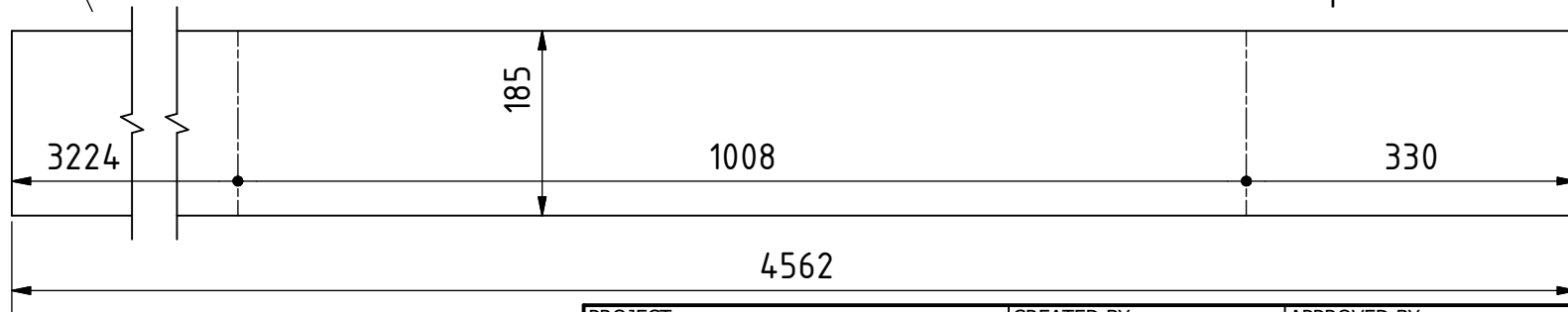


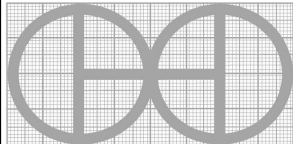
PROJECT	CREATED BY	APPROVED BY	DATE	VERSION
Vertical Drum Hemp Harvester	A. Morillo	D. Jaeger	12-04-2024	0.05
PART NAME	SPECIFICACIONES			CODE
Feeding drums 1				1.25.0
DEVELOPED BY	REDESIGNED BY	FILENAME		QTY
		1.25.ipn		2
Hanfasser		LICENSE	DOC. TYPE	SCALE
		CC-BY-SA 4.0	Assembly	2 : 25
				SHEET
				72 /146

OHO e.V.

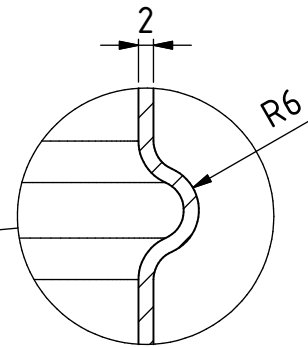
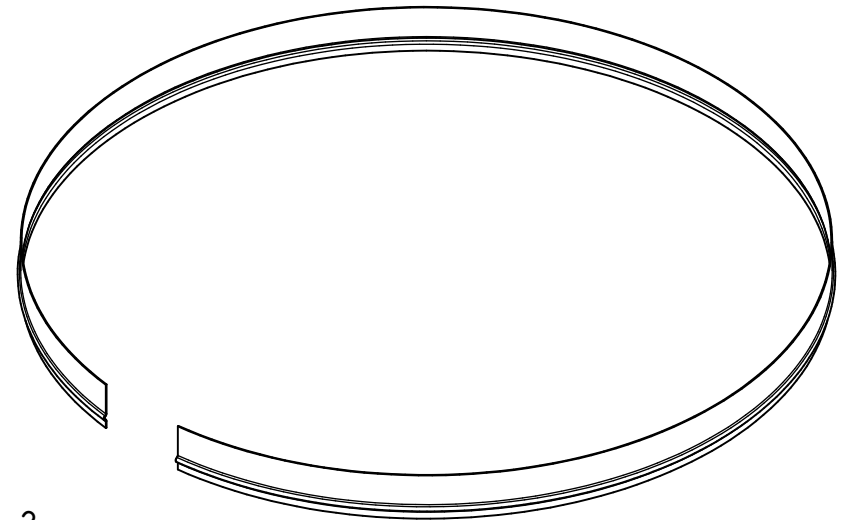
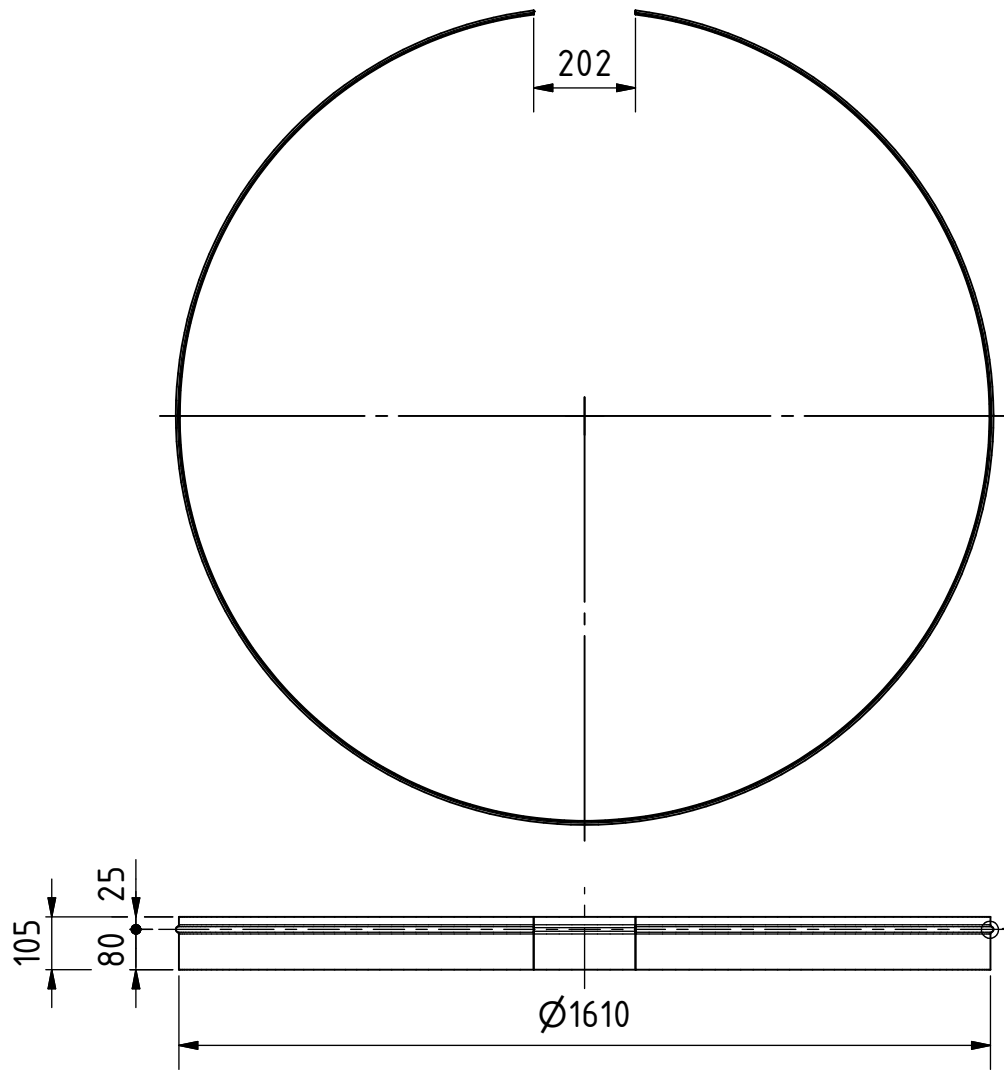


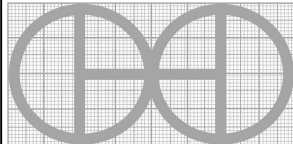
Flat pattern

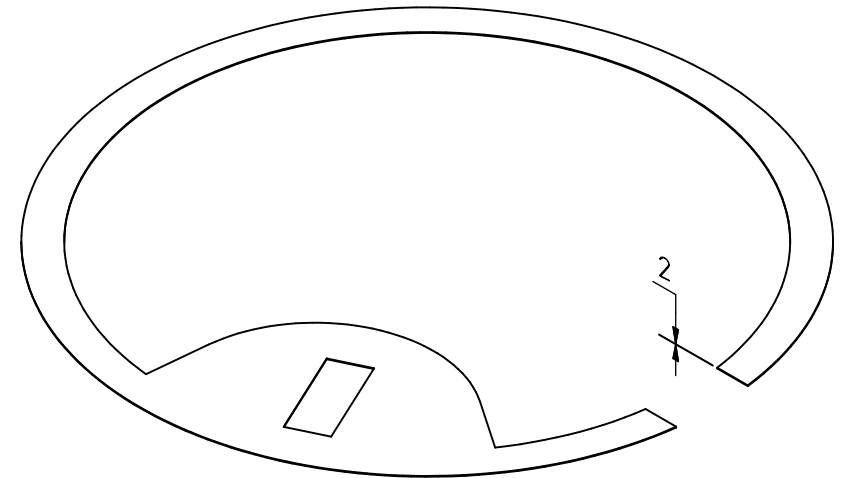
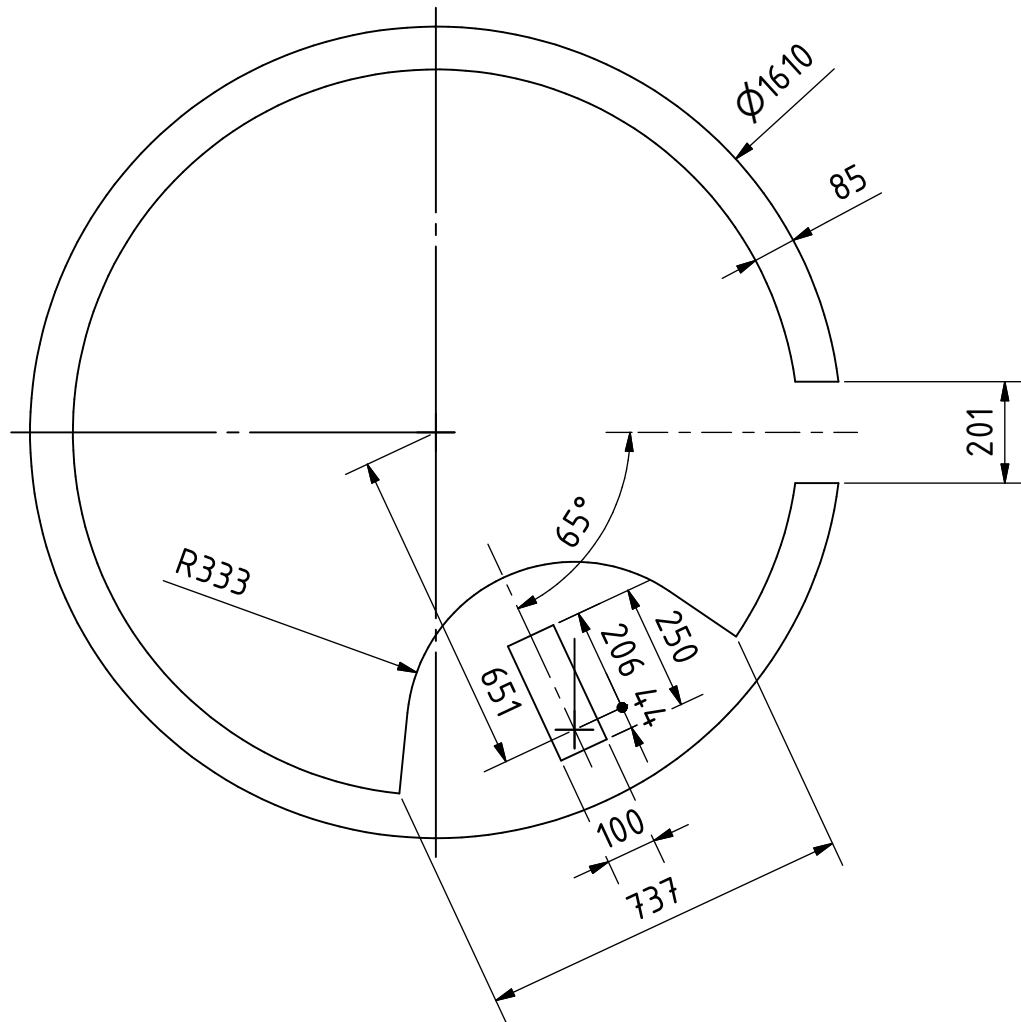


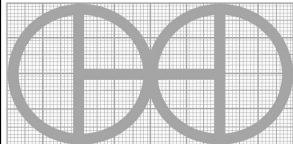
PROJECT	CREATED BY	APPROVED BY	DATE	VERSION
Vertical Drum Hemp Harvester	A. Morillo	D. Jaeger	12-04-2024	0.05
PART NAME	SPECIFICACIONES			CODE
Part 1.25.1	Steel 235J2			1.25.1
DEVELOPED BY	REDESIGNED BY	FILENAME		QTY
		1.25.1.ipt		2
Hanfasser		LICENSE	DOC. TYPE	SCALE
		CC-BY-SA 4.0	Part	1 : 15
				SHEET
				73 /146

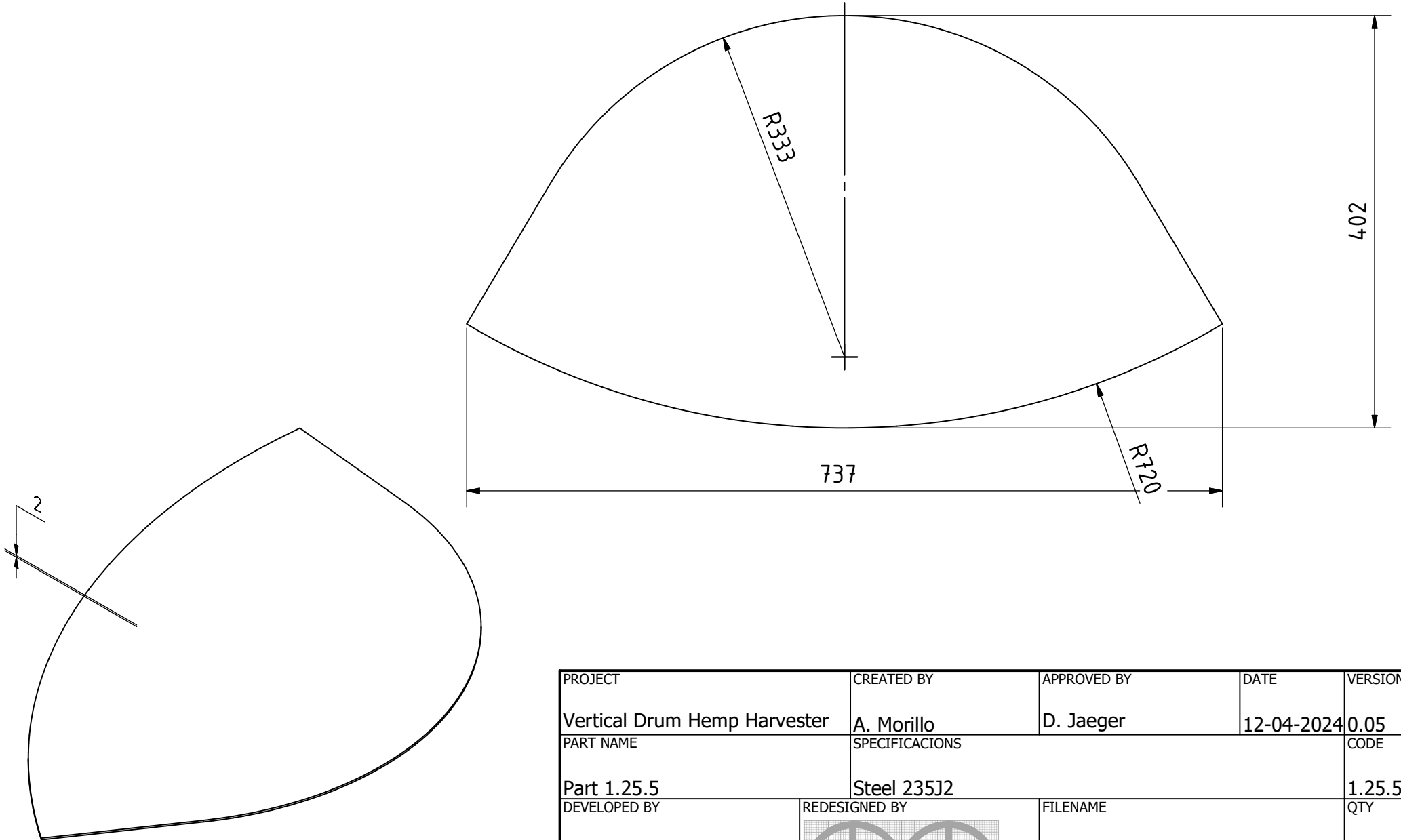
OHO e.V.

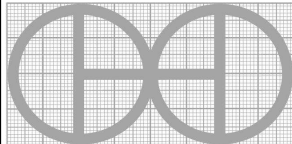


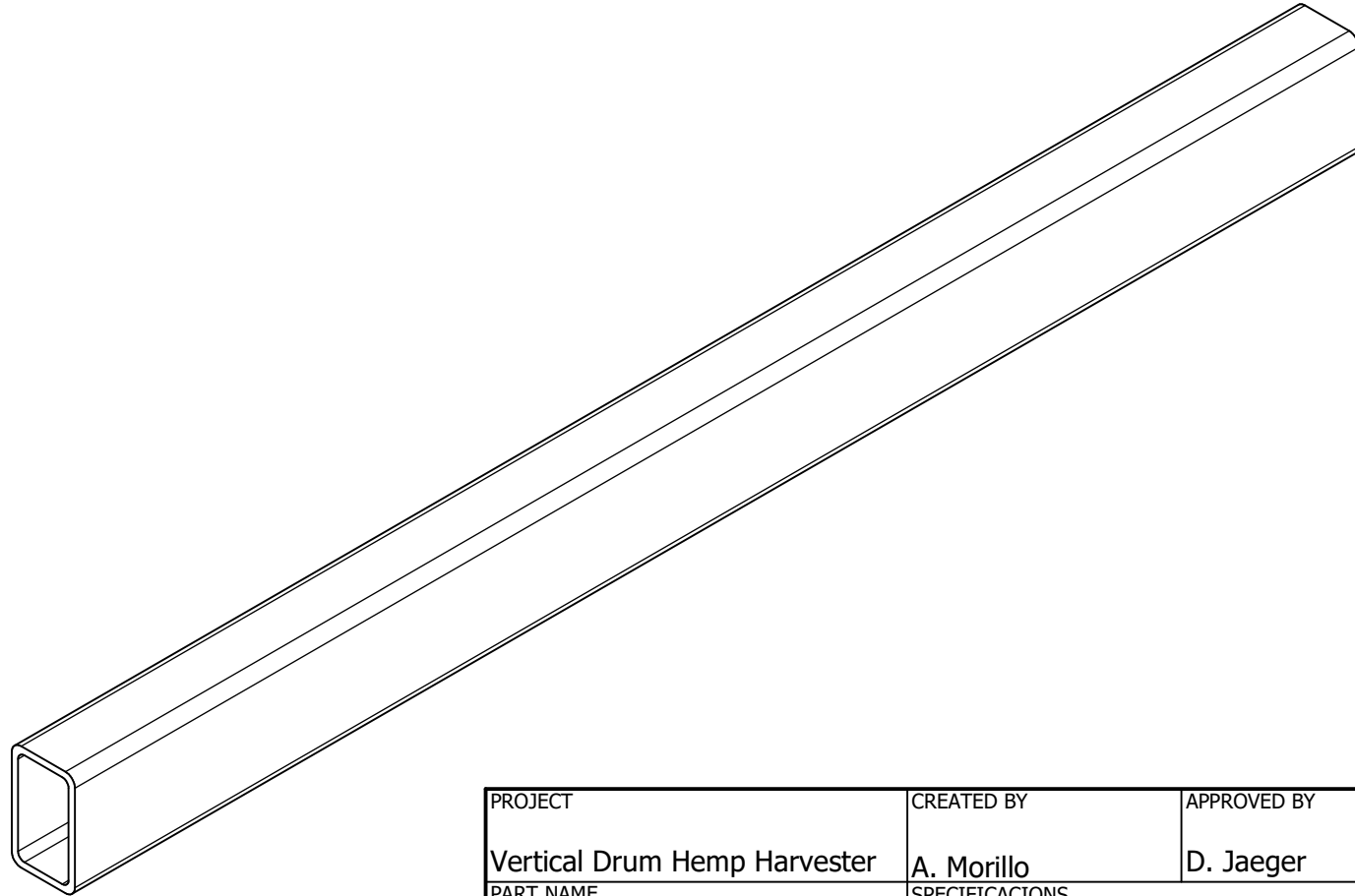
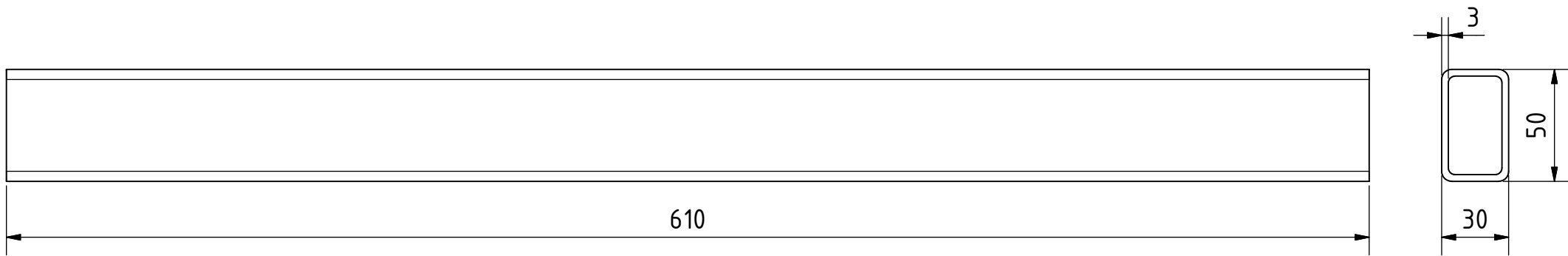
PROJECT	CREATED BY	APPROVED BY	DATE	VERSION	
Vertical Drum Hemp Harvester	A. Morillo	D. Jaeger	12-04-2024	0.05	
PART NAME	SPECIFICACIONES			CODE	
Part 1.25.3	Steel 235J2			1.25.3	
DEVELOPED BY	REDESIGNED BY	FILENAME	QTY		
Hanfasser		1.25.3.ipt	2		
		LICENSE	DOC. TYPE	SCALE	SHEET
		CC-BY-SA 4.0	Part	1 : 15	74 /146

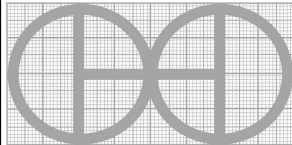


PROJECT	CREATED BY	APPROVED BY	DATE	VERSION	
Vertical Drum Hemp Harvester	A. Morillo	D. Jaeger	12-04-2024	0.05	
PART NAME	SPECIFICACIONES			CODE	
Part 1.25.4	Steel 235J2			1.25.4	
DEVELOPED BY	REDESIGNED BY	FILENAME		QTY	
Hanfasser		1.25.4.ipt		2	
		LICENSE	DOC. TYPE	SCALE	SHEET
		CC-BY-SA 4.0	Part	1 : 15	75 /146

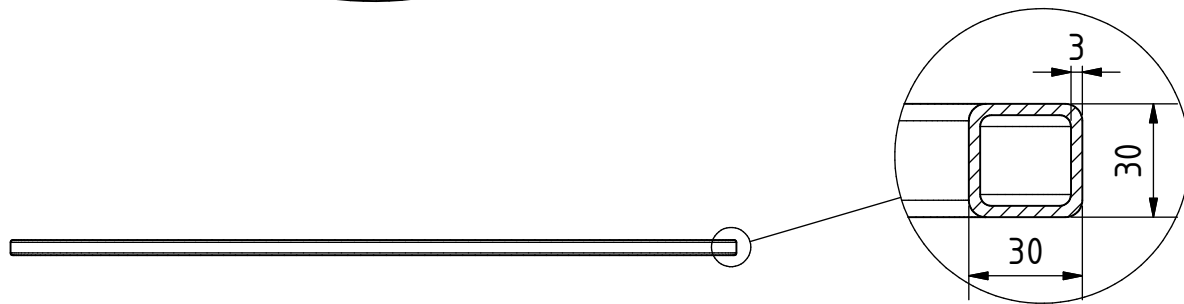
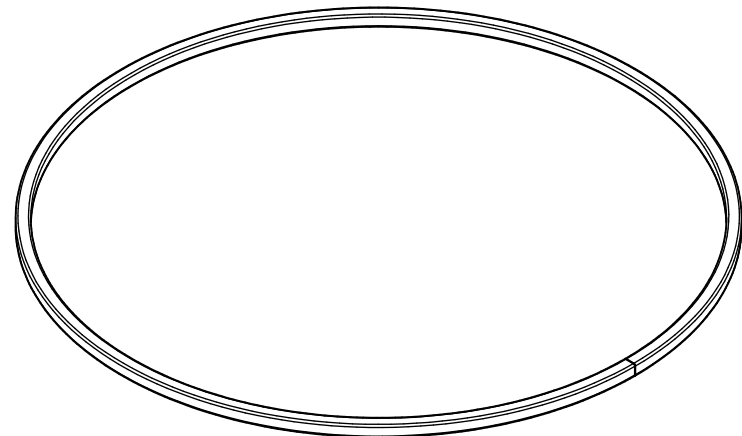
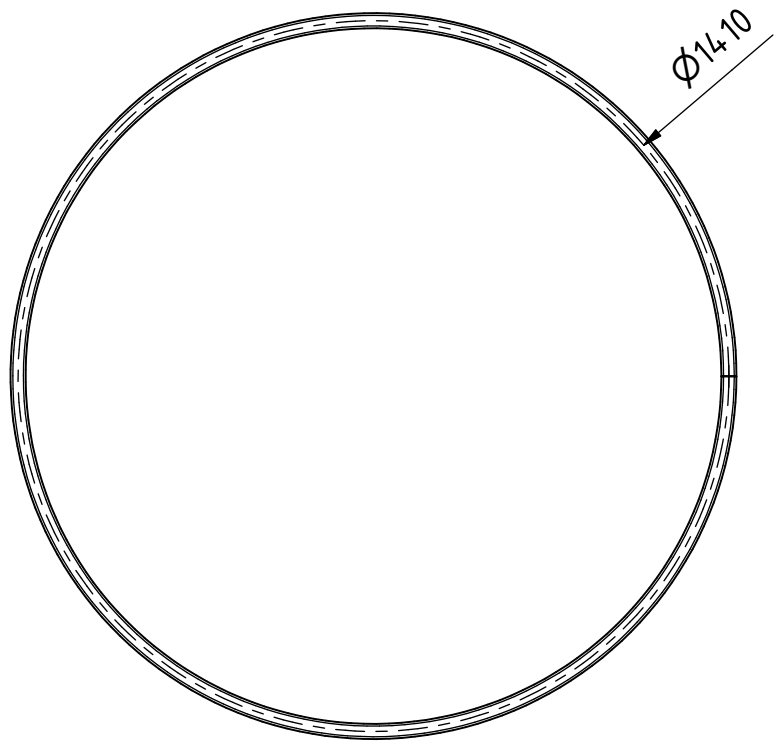


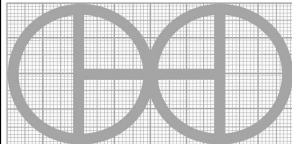
PROJECT	CREATED BY	APPROVED BY	DATE	VERSION	
Vertical Drum Hemp Harvester	A. Morillo	D. Jaeger	12-04-2024	0.05	
PART NAME	SPECIFICACIONES			CODE	
Part 1.25.5	Steel 235J2			1.25.5	
DEVELOPED BY	REDESIGNED BY	FILENAME		QTY	
Hanfasser		OHO e.V. 1.25.5.ipt		2	
		LICENSE	DOC. TYPE	SCALE	SHEET
		CC-BY-SA 4.0	Part	1 : 5	76 /146



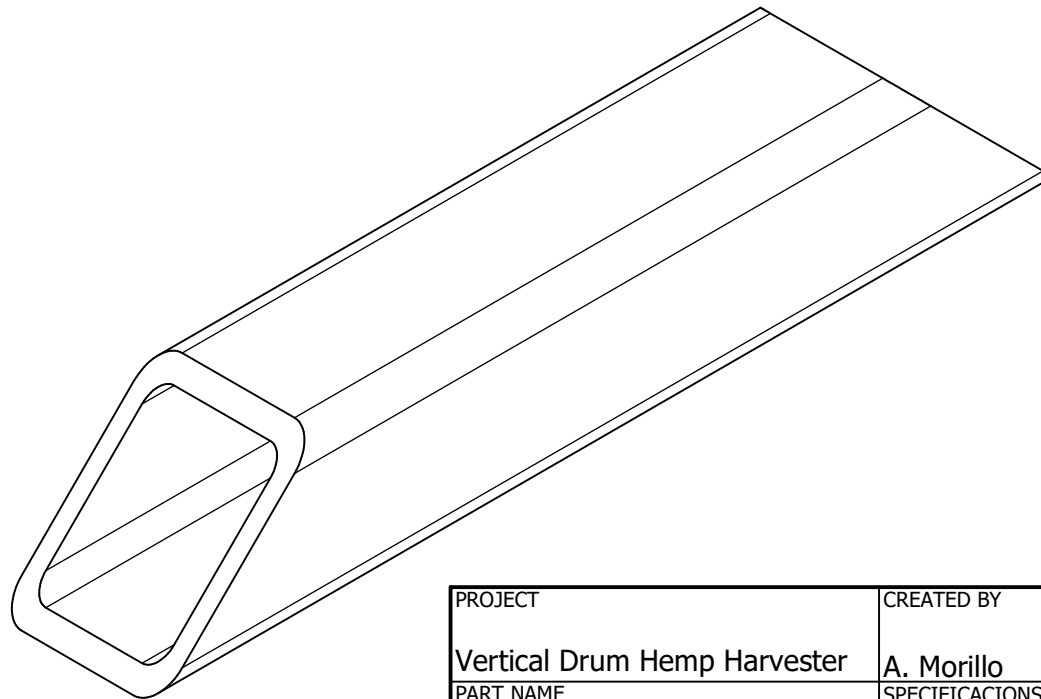
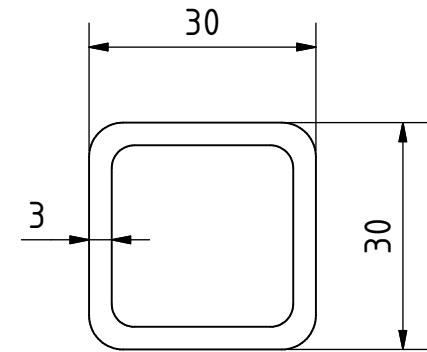
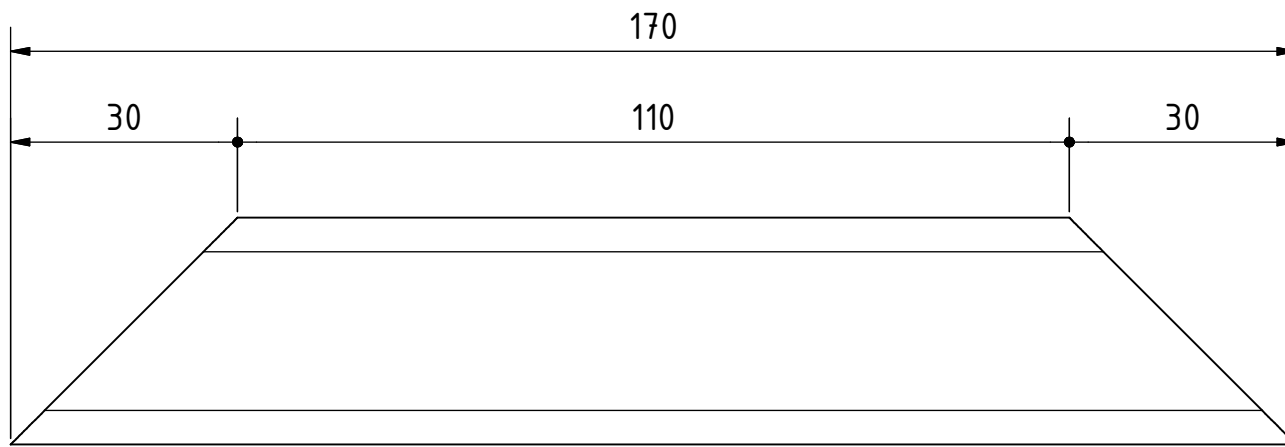
PROJECT	CREATED BY	APPROVED BY	DATE	VERSION	
Vertical Drum Hemp Harvester	A. Morillo	D. Jaeger	12-04-2024	0.05	
PART NAME	SPECIFICACIONES			CODE	
Part 1.25.6	Steel 235J2, rectangle profile 50*30*3			1.25.6	
DEVELOPED BY	REDESIGNED BY	FILENAME		QTY	
Hanfasser		1.25.6.ipt		6	
		LICENSE	DOC. TYPE	SCALE	SHEET
		CC-BY-SA 4.0	Part	2 : 5	77 /146

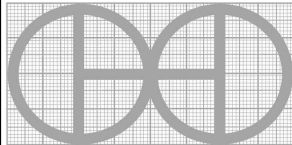
OHO e.V.

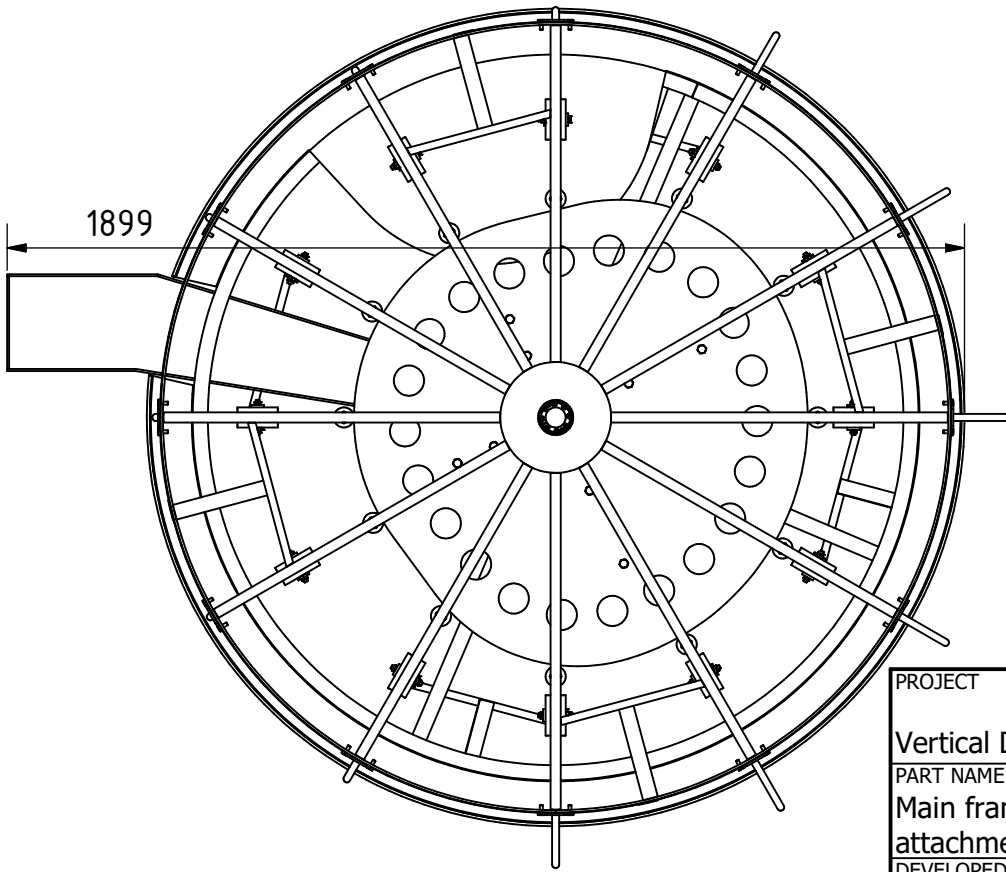
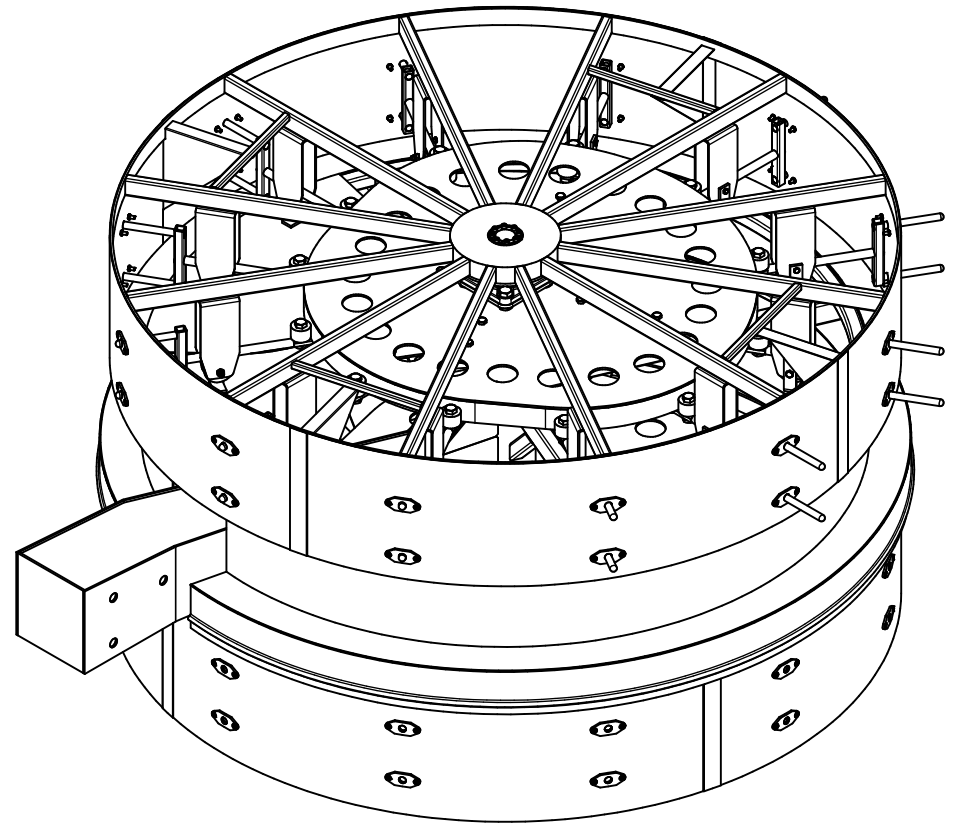
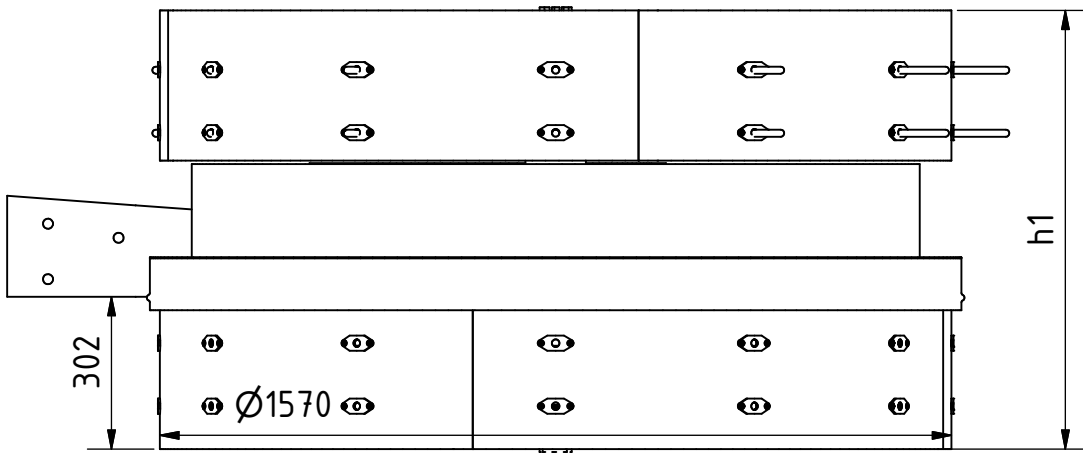


PROJECT	CREATED BY	APPROVED BY	DATE	VERSION
Vertical Drum Hemp Harvester	A. Morillo	D. Jaeger	12-04-2024	0.05
PART NAME	SPECIFICACIONES			CODE
Part 1.25.7	Steel 235J2, square profile 30*30*3			1.25.7
DEVELOPED BY	REDESIGNED BY	FILENAME		QTY
		1.25.7.ipt		2
Hanfasser		LICENSE	DOC. TYPE	SHEET
		CC-BY-SA 4.0	Part	78 /146
			SCALE	
			1 : 15	

OHO e.V.

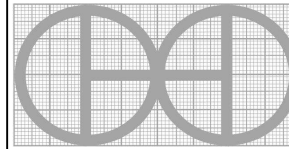


PROJECT	CREATED BY	APPROVED BY	DATE	VERSION	
Vertical Drum Hemp Harvester	A. Morillo	D. Jaeger	12-04-2024	0.05	
PART NAME	SPECIFICACIONES			CODE	
Part 1.25.8	Steel 235J2, square profile 30*30*3			1.25.8	
DEVELOPED BY	REDESIGNED BY	FILENAME		QTY	
		1.25.8.ipt		6	
Hanfasser		LICENSE	DOC. TYPE	SCALE	SHEET
		CC-BY-SA 4.0	Part	1 : 1	79 /146



Size table	
Pos	h1
2_A (right)	870 mm
2_B (left)	880 mm

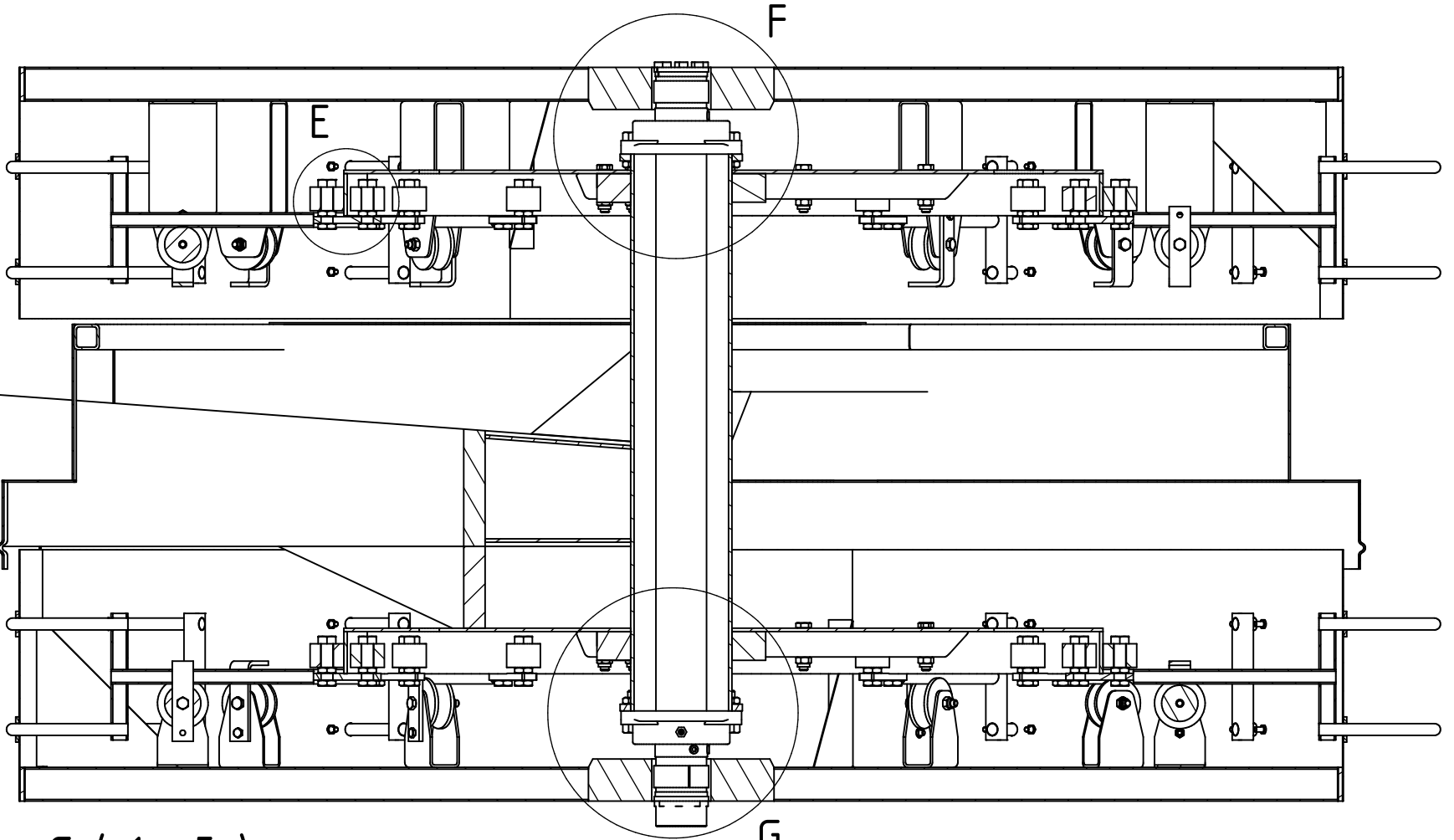
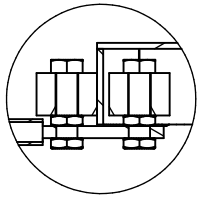
PROJECT	CREATED BY	APPROVED BY	DATE	VERSION
Vertical Drum Hemp Harvester	A. Morillo	D. Jaeger	12-04-2024	0.05
PART NAME	SPECIFICACIONES			CODE
Main frame top cpl with attachments				2.0.0
DEVELOPED BY	REDESIGNED BY	FILENAME	QTY	
		2.iam	2	
		LICENSE	DOC. TYPE	SCALE SHEET
		CC-BY-SA 4.0	Assembly	1 : 15 80 /146



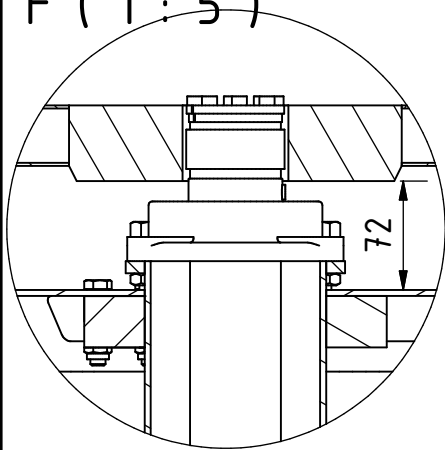
OHO e.V.

Hanfasser

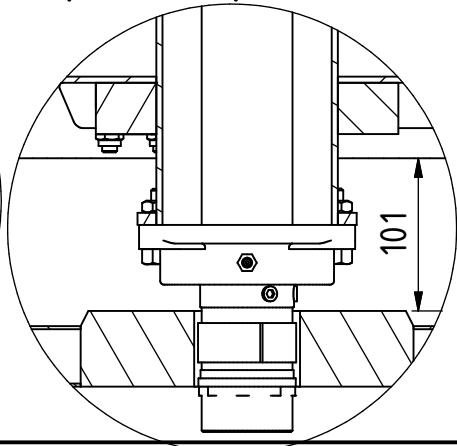
E (1 : 5)



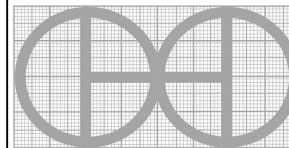
F (1 : 5)



G (1 : 5)

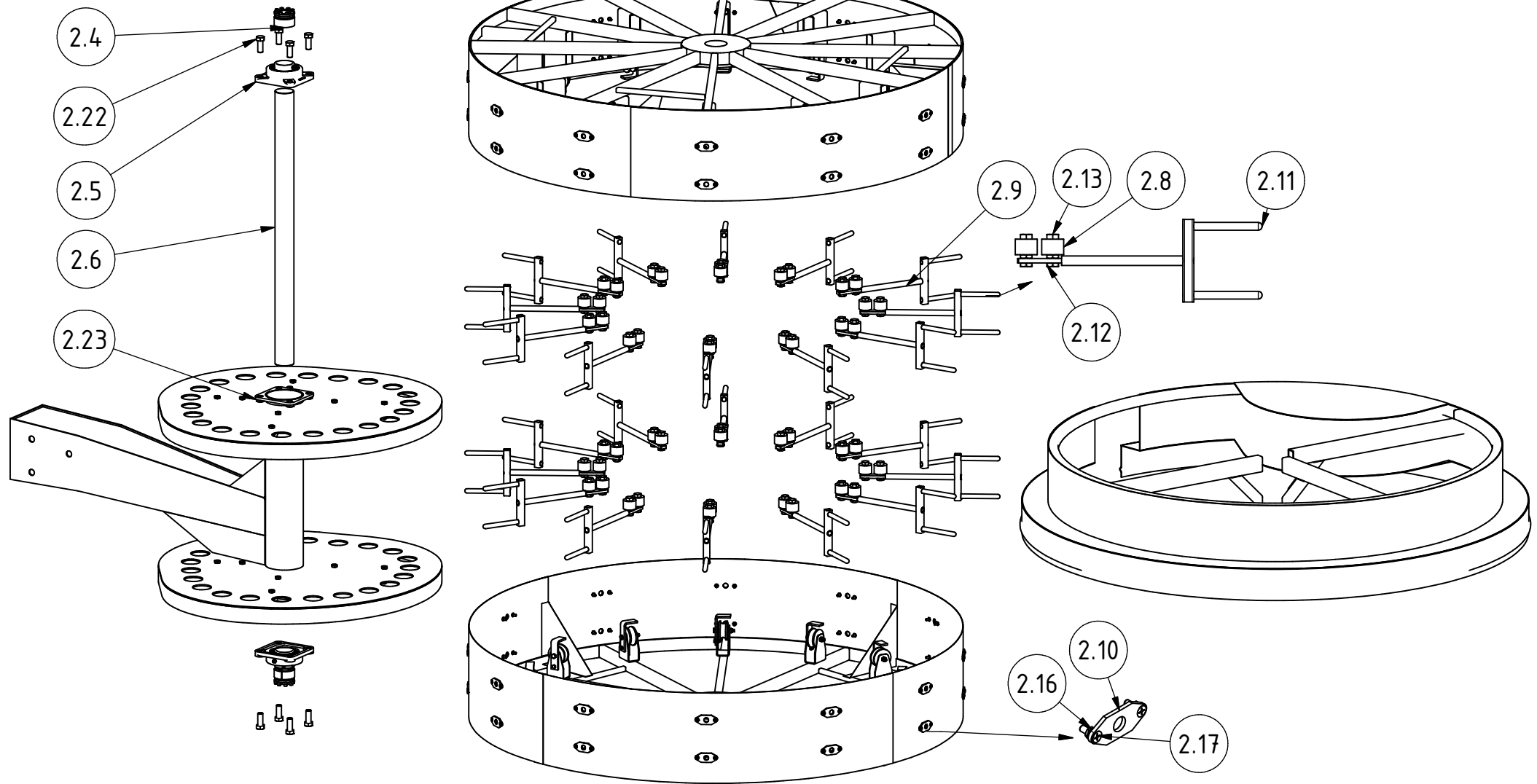


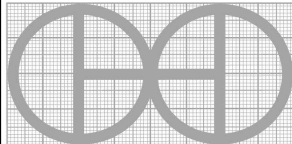
PROJECT	CREATED BY	APPROVED BY	DATE	VERSION
Vertical Drum Hemp Harvester	A. Morillo	D. Jaeger	12-04-2024	0.05
PART NAME	SPECIFICACIONES			CODE
Main frame top cpl with attachments				2.0.0
DEVELOPED BY	REDESIGNED BY	FILENAME	SCALE	QTY
		2.iam		2
		LICENSE	DOC. TYPE	SHEET
		CC-BY-SA 4.0	Assembly	81 /146

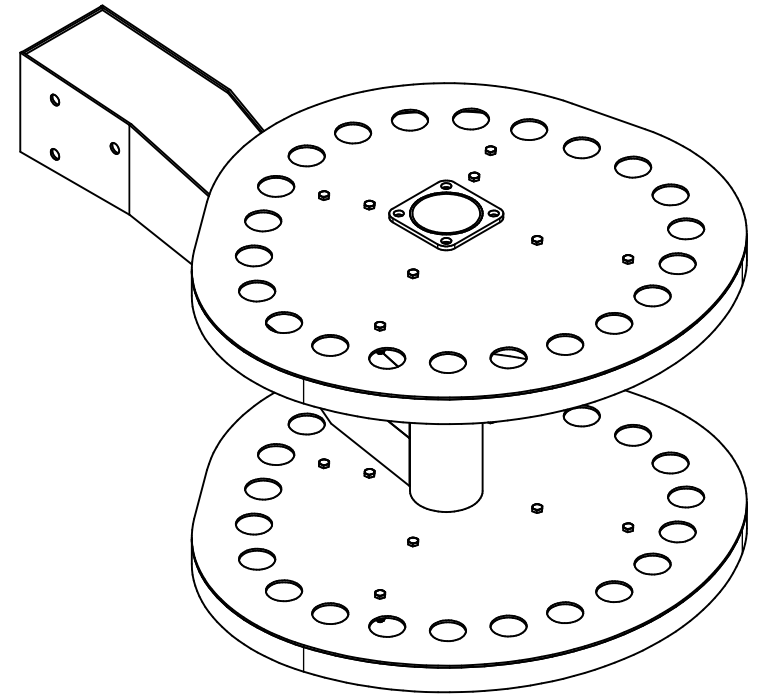
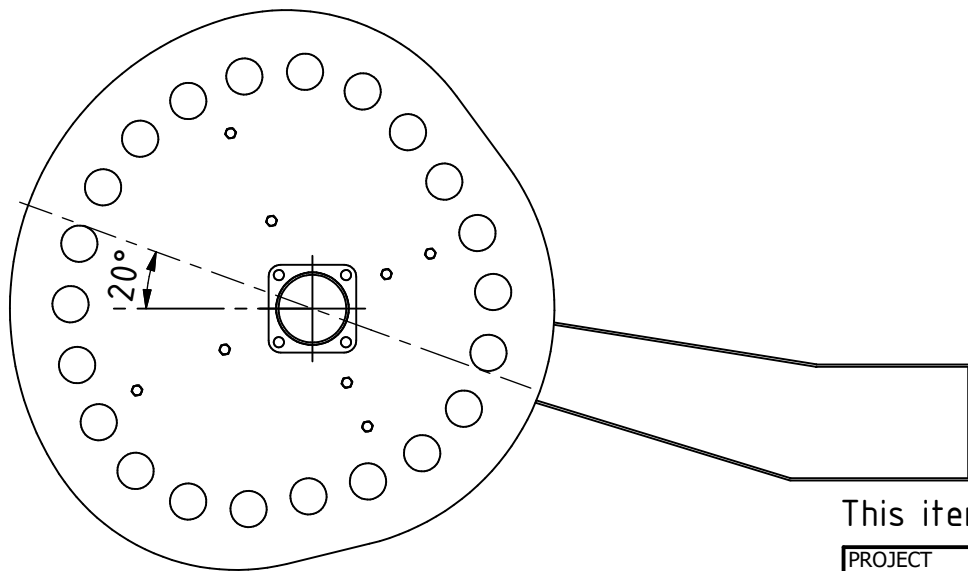
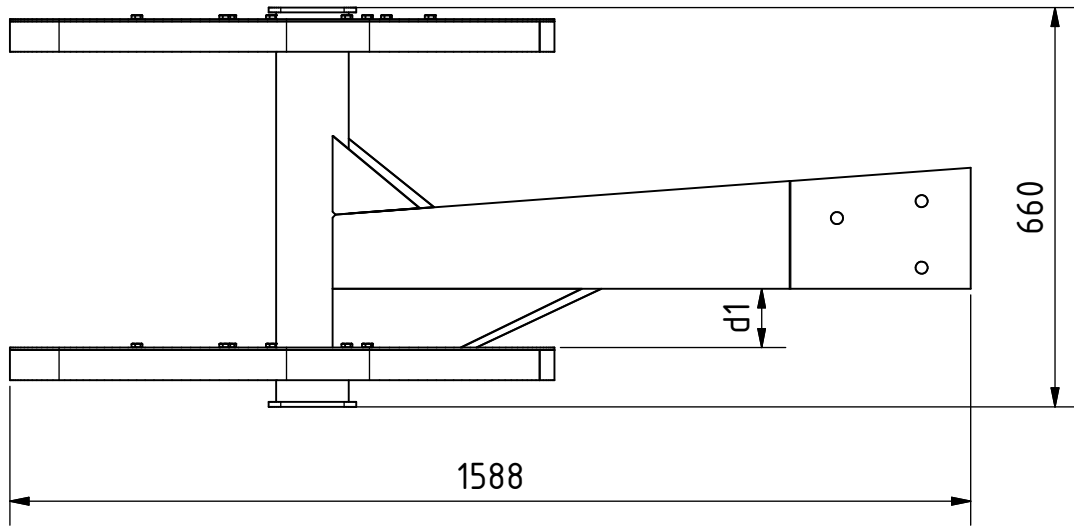


OHO e.v.

Hanfasser

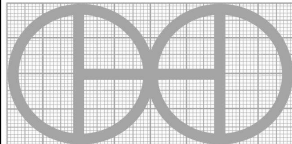


PROJECT	CREATED BY	APPROVED BY	DATE	VERSION
Vertical Drum Hemp Harvester	A. Morillo	D. Jaeger	12-04-2024	0.05
PART NAME	SPECIFICACIONES			CODE
Main frame top cpl with attachments				2.0.0
DEVELOPED BY	REDESIGNED BY	FILENAME	QTY	
		2.ipn	2	
		LICENSE	DOC. TYPE	SHEET
Hanfasser		CC-BY-SA 4.0	Assembly	82 / 146



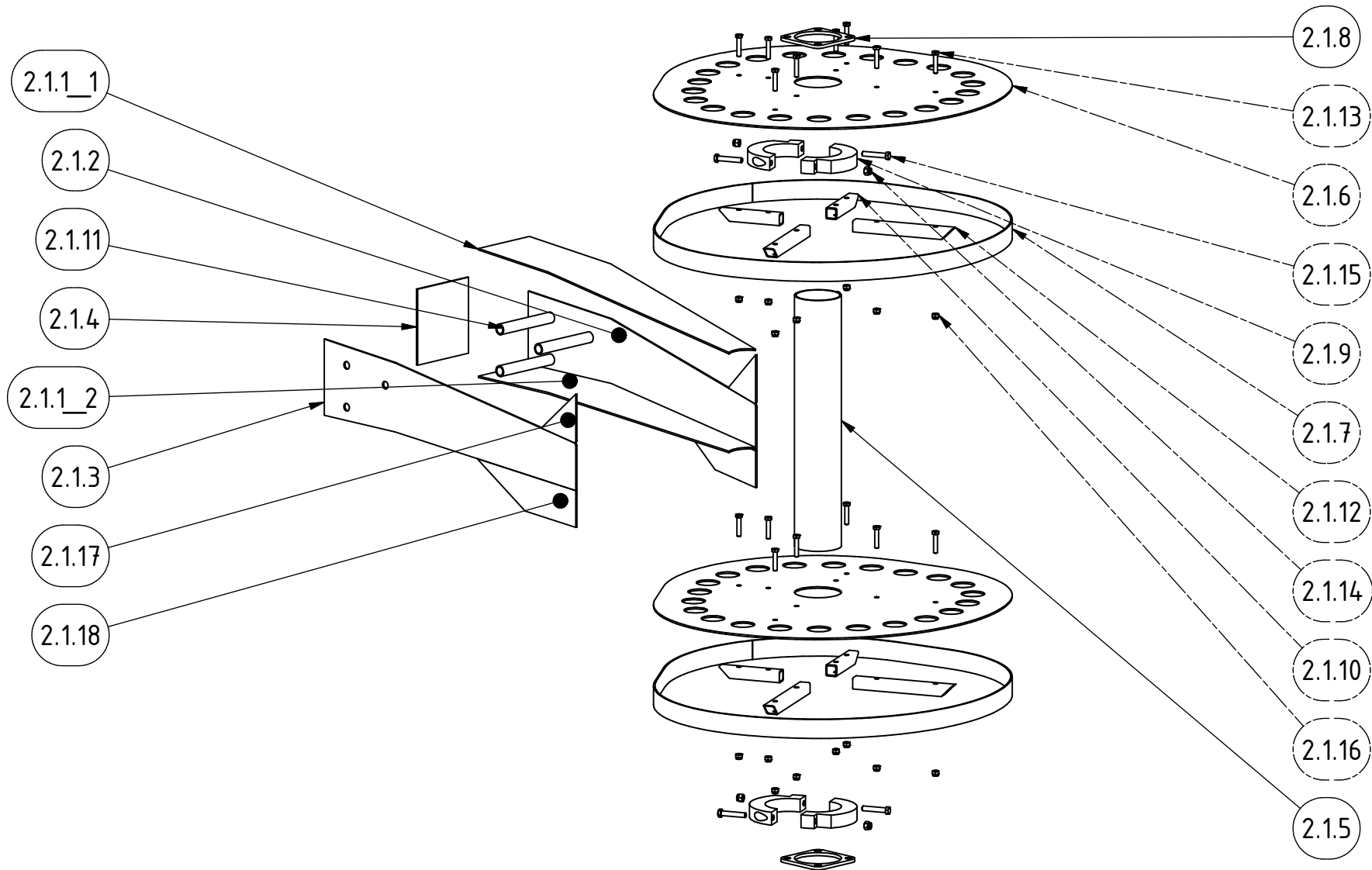
Size table	
Pos	d1
2.1_A (right)	97 mm
2.1_B (left)	137 mm

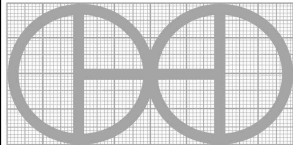
This item was adjusted to avoid interference problems

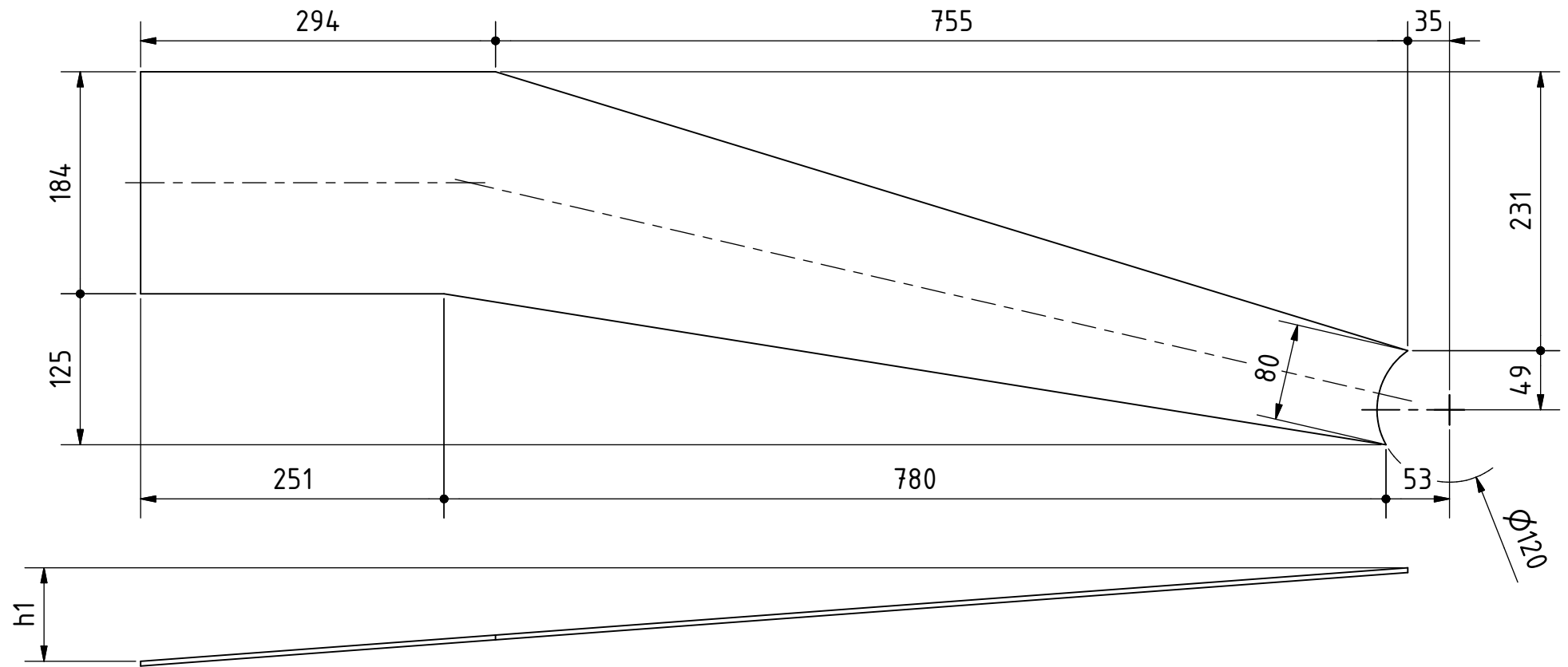
PROJECT	CREATED BY	APPROVED BY	DATE	VERSION
Vertical Drum Hemp Harvester	A. Morillo	D. Jaeger	12-04-2024	0.05
PART NAME	SPECIFICACIONES			CODE
Main frame top				2.1.0
DEVELOPED BY	REDESIGNED BY	FILENAME	QTY	
		2.1.iam	2	
Hanfasser		LICENSE	DOC. TYPE	SHEET
		CC-BY-SA 4.0	Assembly	83 /146

OHO e.V.

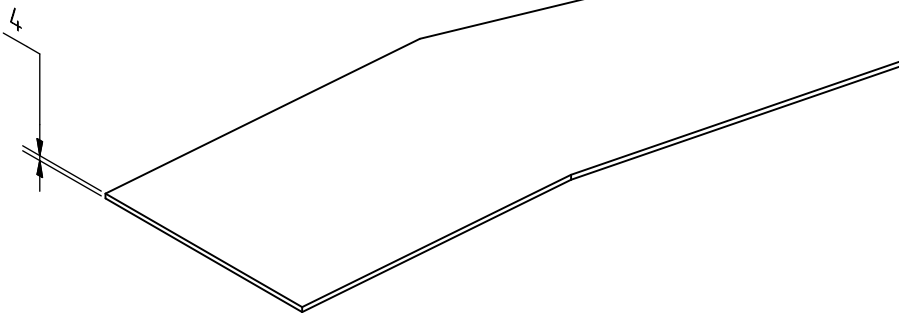
SCALE 2 : 25

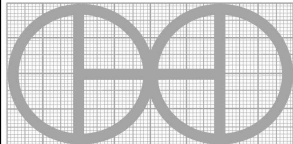
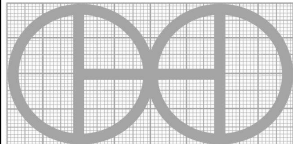


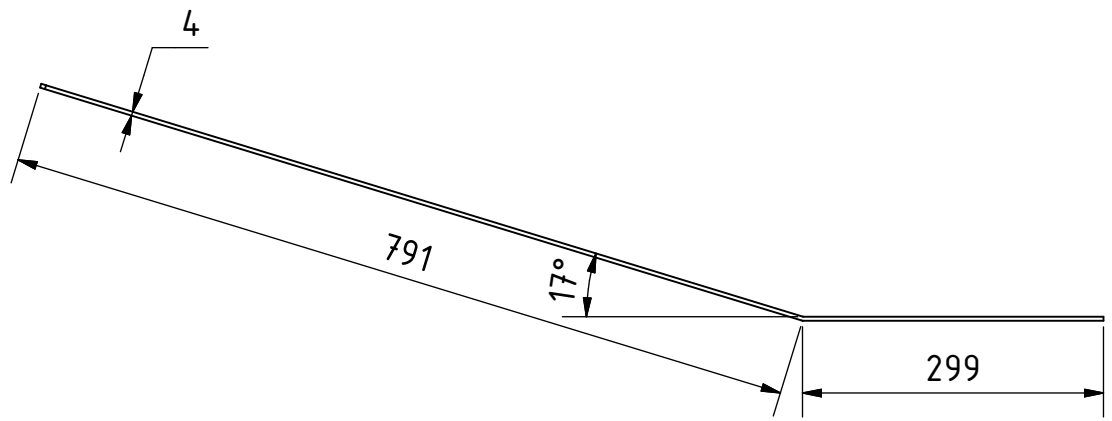
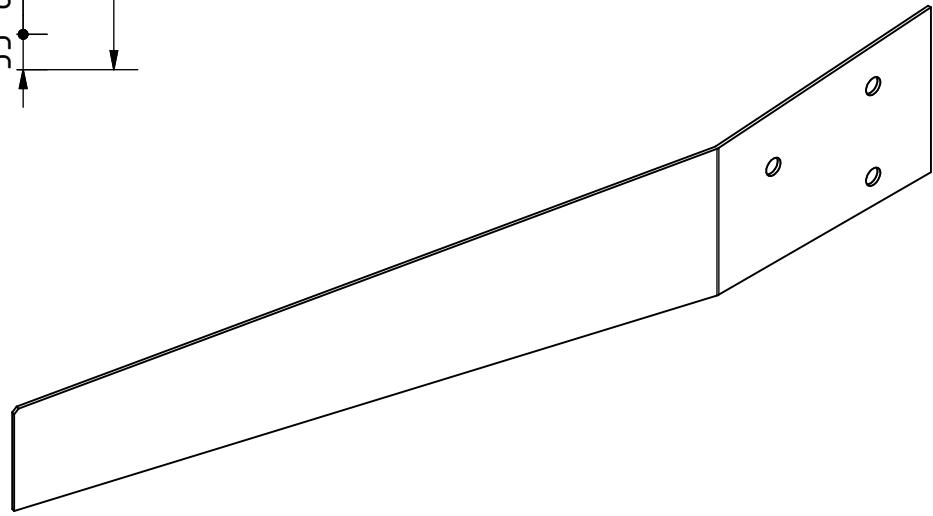
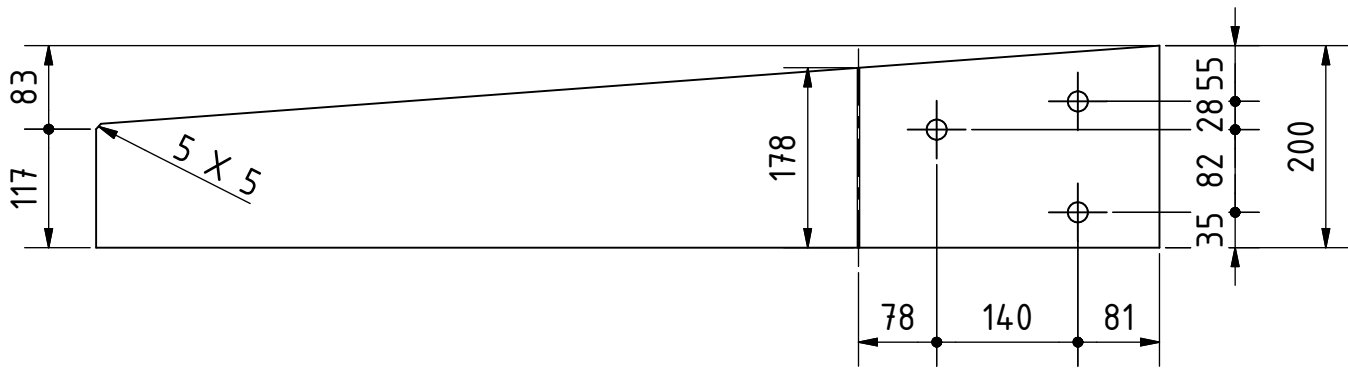
PROJECT		CREATED BY		APPROVED BY		DATE		VERSION	
Vertical Drum Hemp Harvester		A. Morillo		D. Jaeger		12-04-2024		0.05	
PART NAME				SPECIFICACIONES				CODE	
Main frame top								2.1.0	
DEVELOPED BY			REDESIGNED BY			FILENAME			QTY
Hanfasser						2.1.ipn			2
LICENSE		DOC. TYPE		SCALE		SHEET			
CC-BY-SA 4.0		Assembly		1 : 15		84 /146			



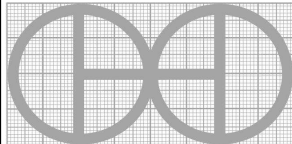
Size table	
Pos	h1
2.1.1_1	80 mm
2.1.1_2	0 mm

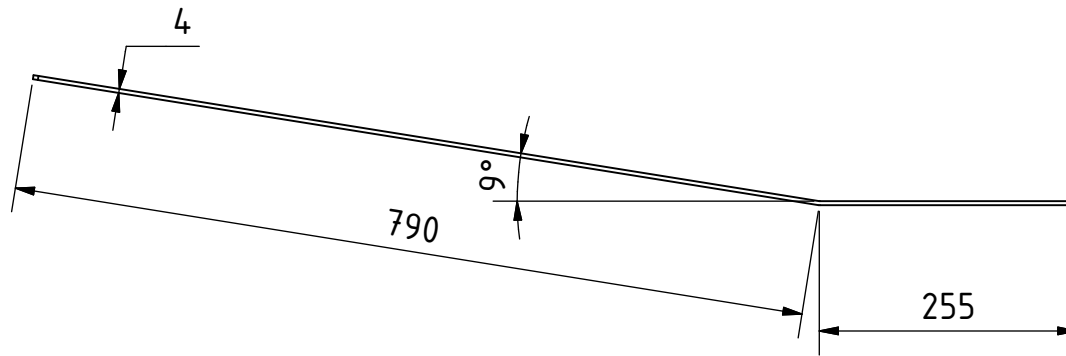
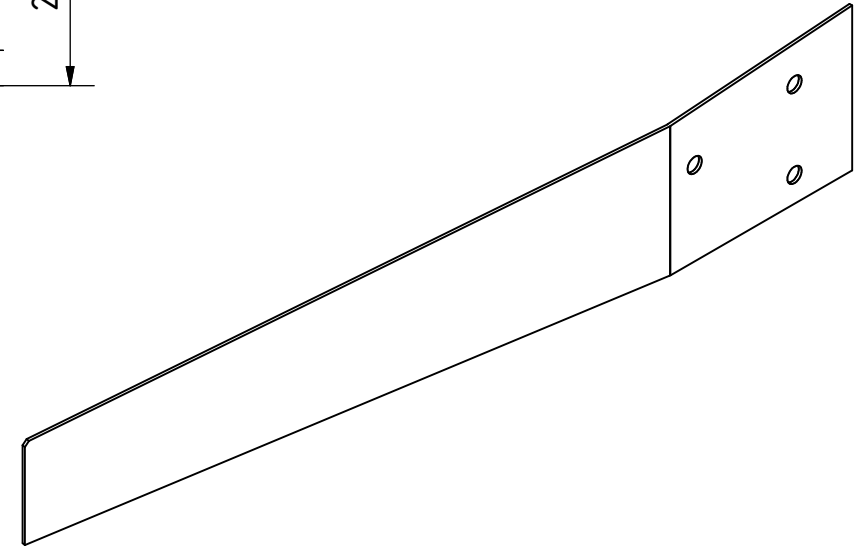
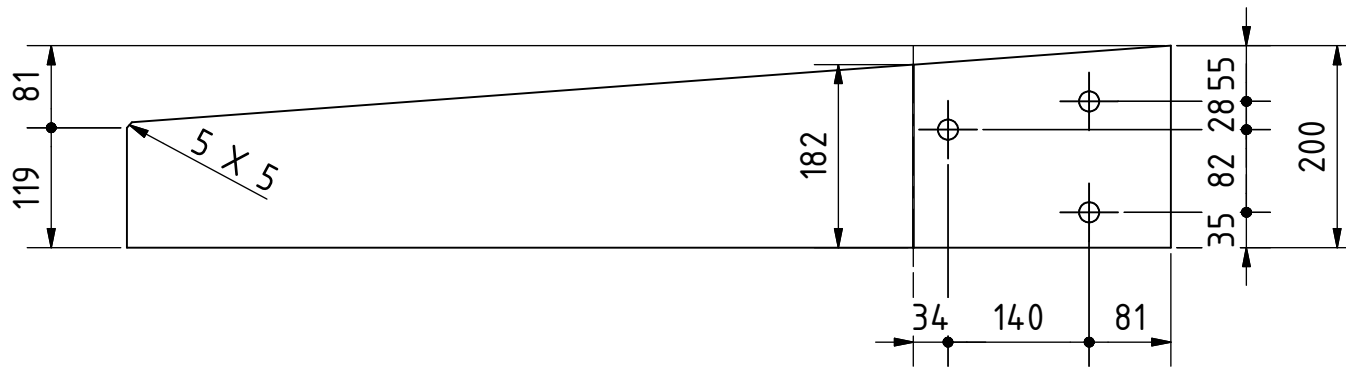


PROJECT	CREATED BY	APPROVED BY	DATE	VERSION	
Vertical Drum Hemp Harvester	A. Morillo	D. Jaeger	12-04-2024	0.05	
PART NAME	SPECIFICACIONES			CODE	
Part 2.1.1	Steel 235J2			2.1.1	
DEVELOPED BY	REDESIGNED BY	FILENAME		QTY	
		2.1.1.ipt		4	
Hanfasser		LICENSE	DOC. TYPE	SCALE	SHEET
		CC-BY-SA 4.0	Part	1 : 5	85 /146

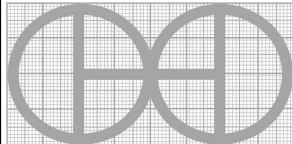


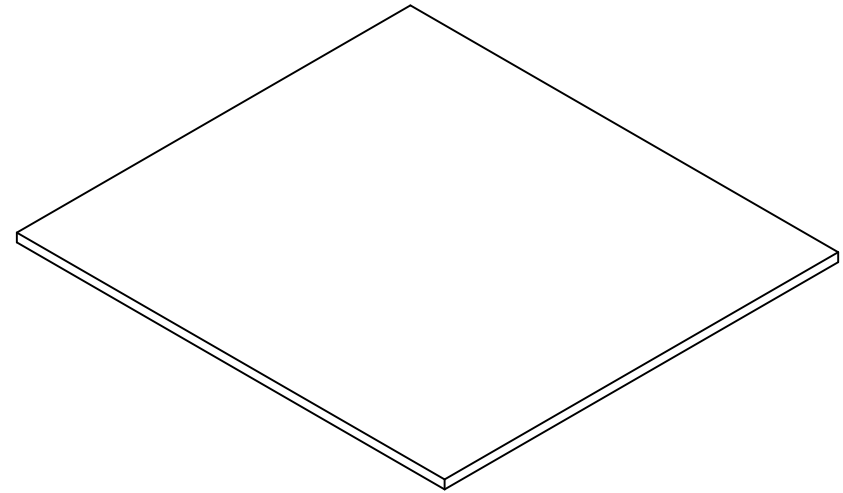
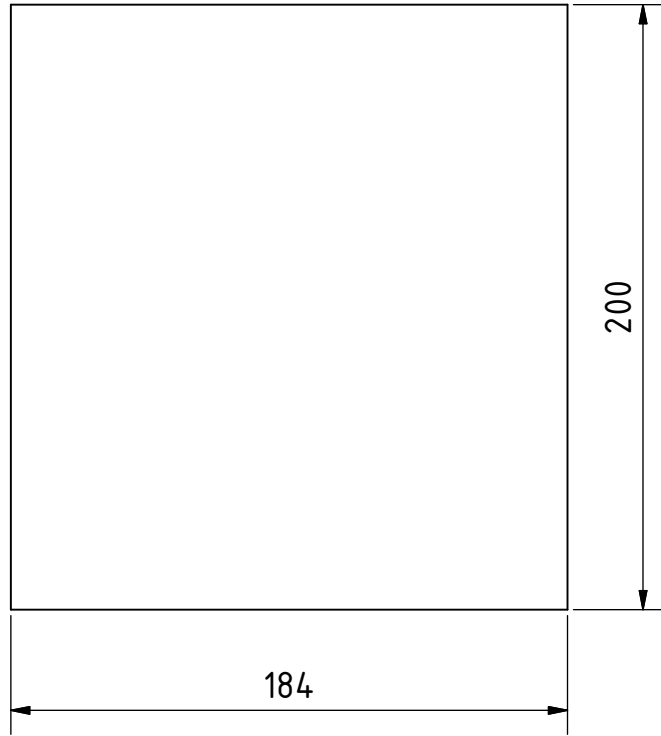
Symmetrical item

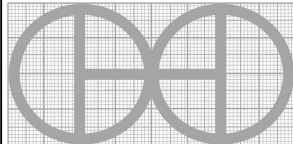
PROJECT	CREATED BY	APPROVED BY	DATE	VERSION	
Vertical Drum Hemp Harvester	A. Morillo	D. Jaeger	12-04-2024	0.05	
PART NAME	SPECIFICACIONES			CODE	
Part 2.1.2	Steel 235J2			2.1.2	
DEVELOPED BY	REDESIGNED BY	FILENAME		QTY	
Hanfasser		2.1.2.ipt		2	
		LICENSE	DOC. TYPE	SCALE	SHEET
		CC-BY-SA 4.0	Part	2 : 15	86 /146



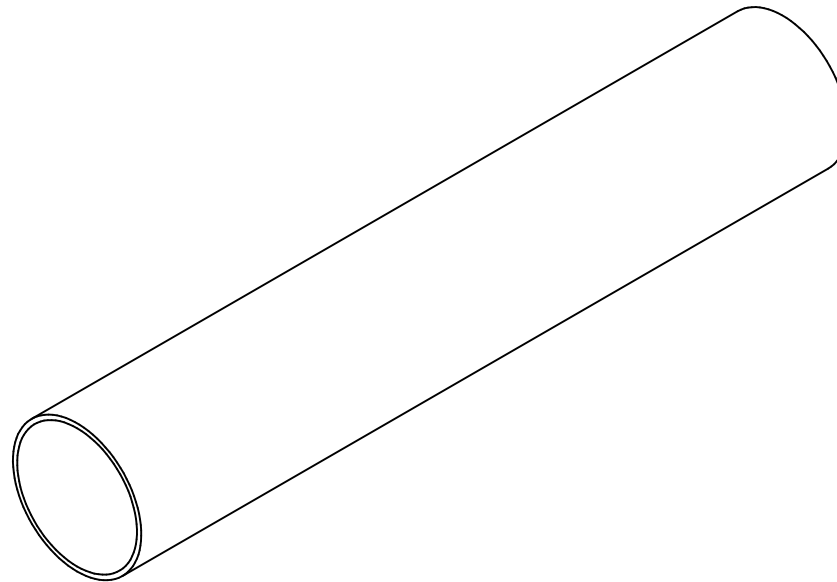
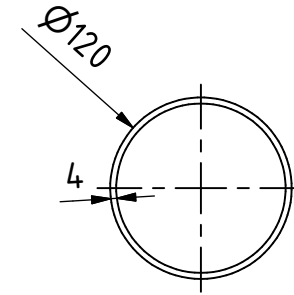
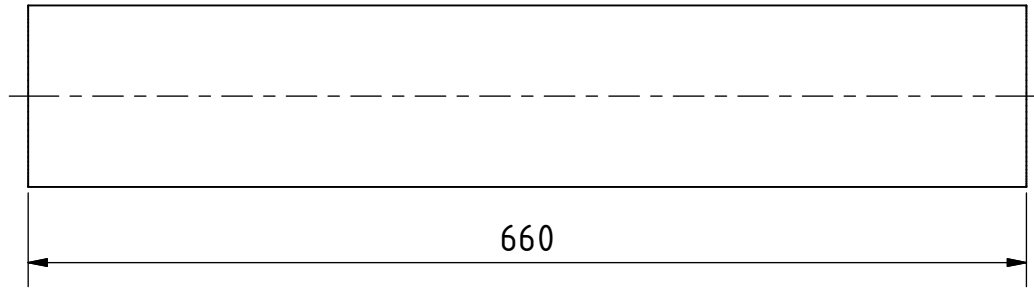
Symmetrical item

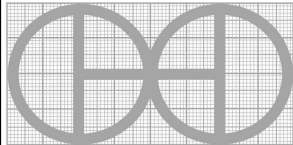
PROJECT	CREATED BY	APPROVED BY	DATE	VERSION	
Vertical Drum Hemp Harvester	A. Morillo	D. Jaeger	12-04-2024	0.05	
PART NAME	SPECIFICACIONES			CODE	
Part 2.1.3	Steel 235J2			2.1.3	
DEVELOPED BY	REDESIGNED BY	FILENAME		QTY	
Hanfasser		2.1.3.ipt		2	
		LICENSE	DOC. TYPE	SCALE	SHEET
		CC-BY-SA 4.0	Part	2 : 15	87 /146



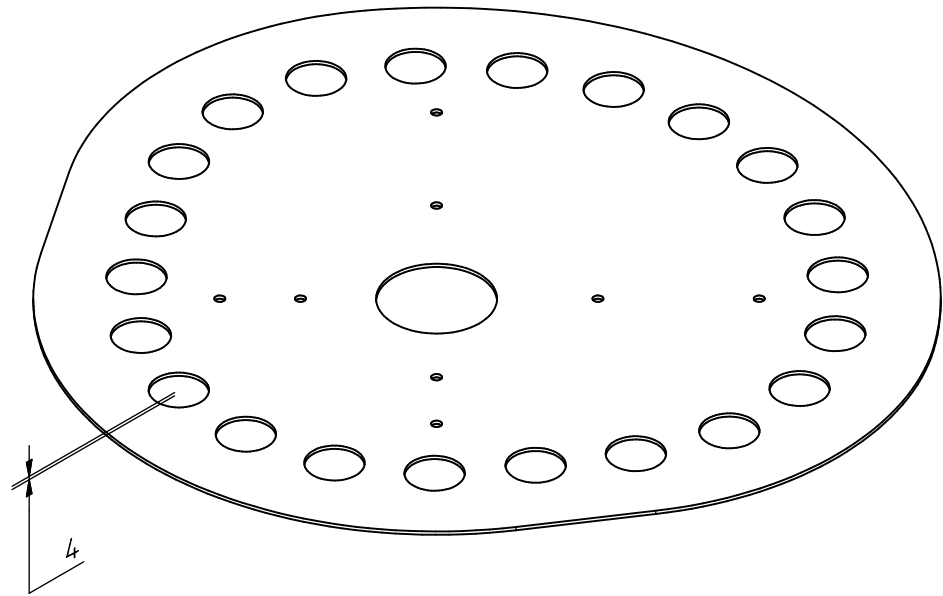
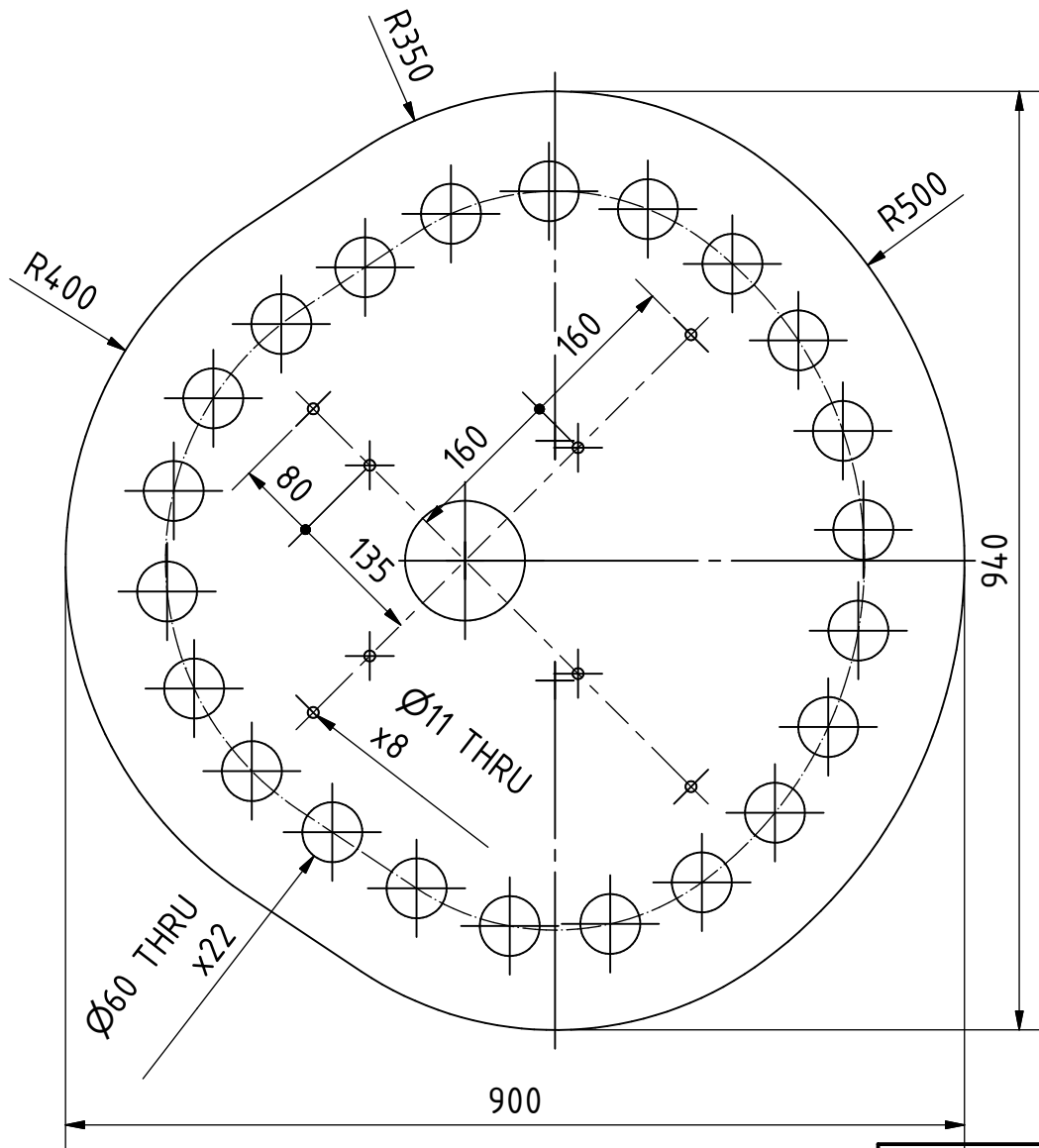
PROJECT	CREATED BY	APPROVED BY	DATE	VERSION	
Vertical Drum Hemp Harvester	A. Morillo	D. Jaeger	12-04-2024	0.05	
PART NAME	SPECIFICACIONES			CODE	
Part 2.1.4	Steel 235J2			2.1.4	
DEVELOPED BY	REDESIGNED BY	FILENAME		QTY	
Hanfasser		2.1.4.ipt		2	
		LICENSE	DOC. TYPE	SCALE	SHEET
		CC-BY-SA 4.0	Part	2 : 5	88 /146

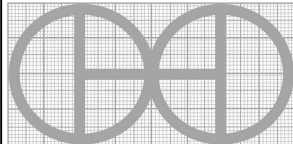
OHO e.V.

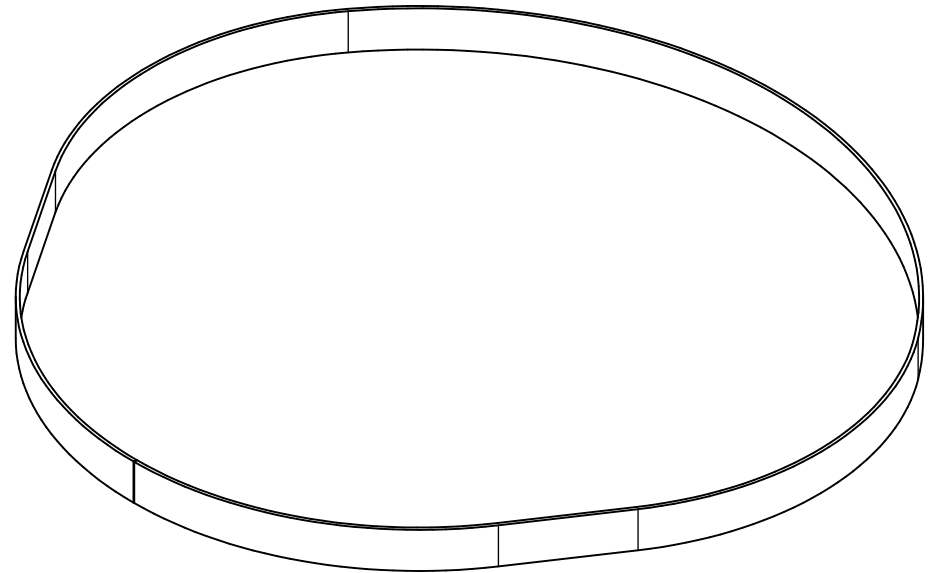
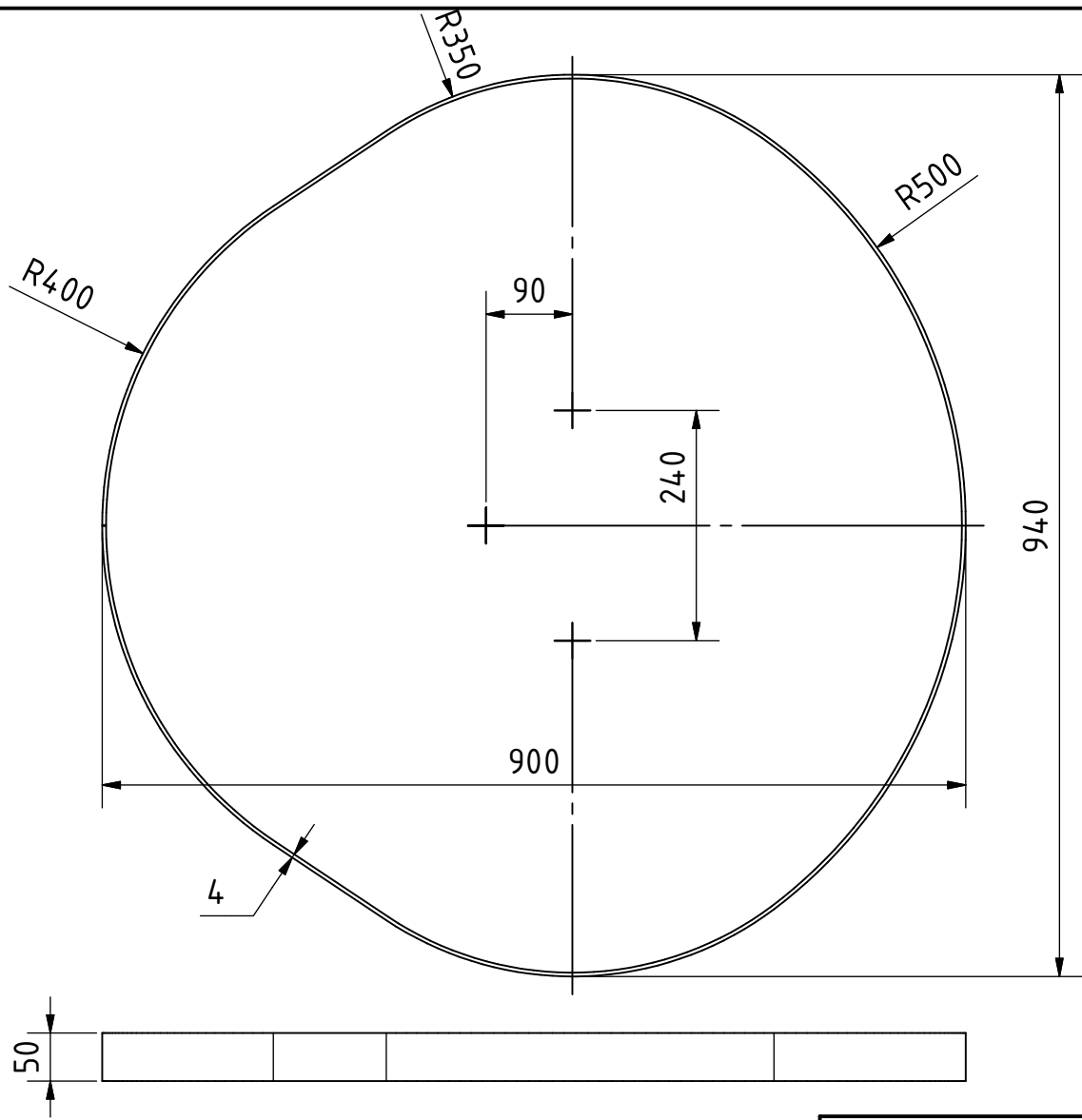


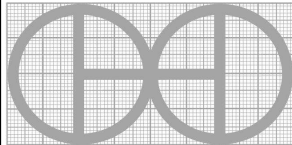
PROJECT	CREATED BY	APPROVED BY	DATE	VERSION	
Vertical Drum Hemp Harvester	A. Morillo	D. Jaeger	12-04-2024	0.05	
PART NAME	SPECIFICACIONES			CODE	
Part 2.1.5	Steel 235J2			2.1.5	
DEVELOPED BY	REDESIGNED BY	FILENAME		QTY	
Hanfasser		2.1.5.ipt		2	
		LICENSE	DOC. TYPE	SCALE	SHEET
		CC-BY-SA 4.0	Part	1 : 5	89 /146

OHO e.V.



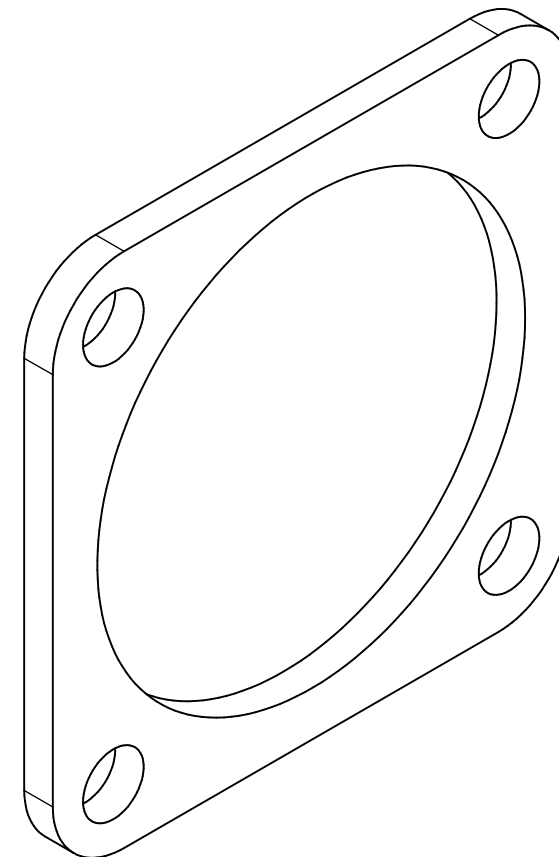
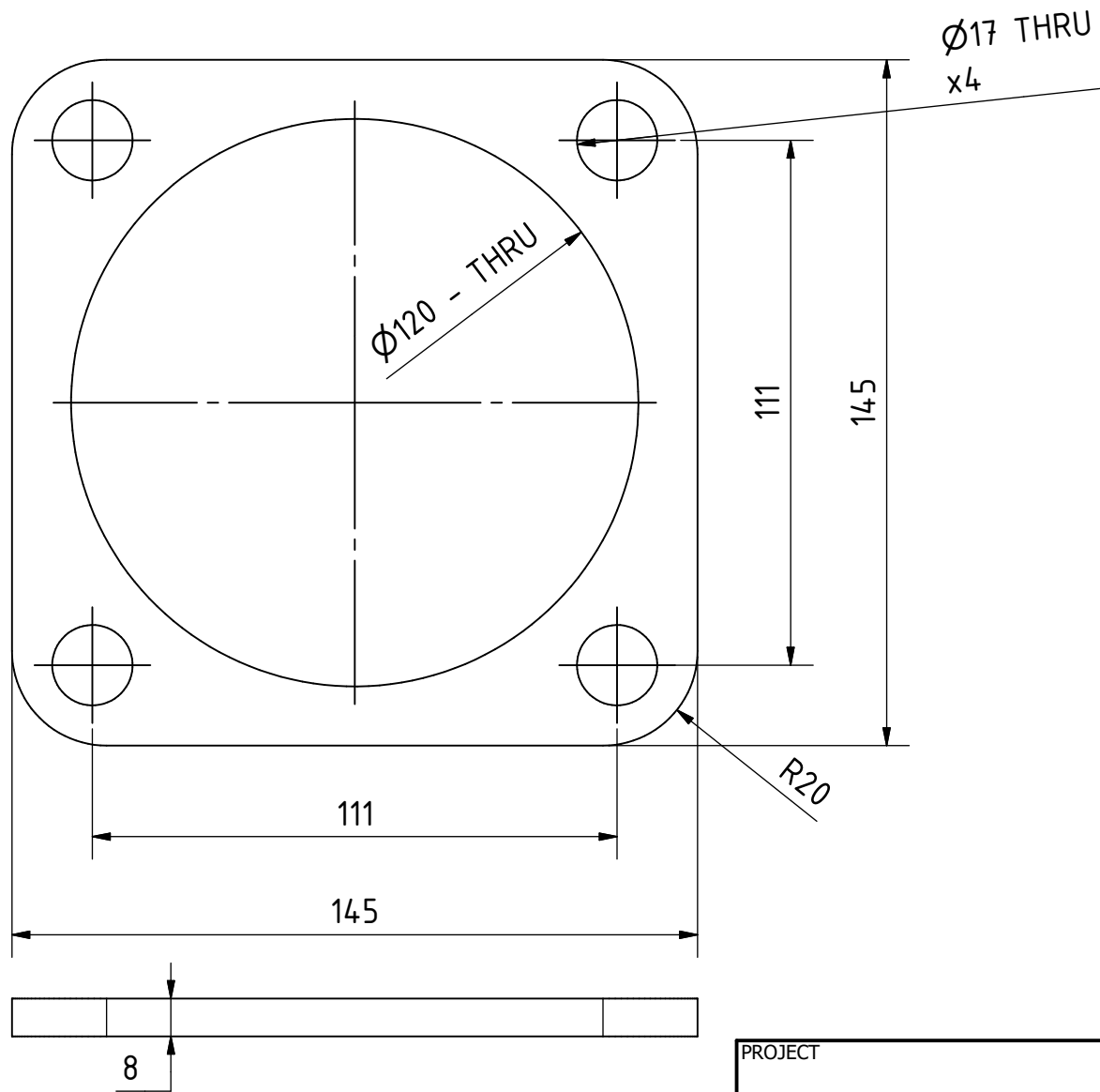
PROJECT		CREATED BY		APPROVED BY		DATE		VERSION		
Vertical Drum Hemp Harvester		A. Morillo		D. Jaeger		12-04-2024		0.05		
PART NAME		SPECIFICACIONES							CODE	
Part 2.1.6		Steel 235J2							2.1.6	
DEVELOPED BY		REDESIGNED BY		FILENAME				QTY		
Hanfasser				2.1.6.ipt				4		
		OHO e.V.		LICENSE		DOC. TYPE		SCALE		
				CC-BY-SA 4.0		Part		2 : 15		
								90 /146		

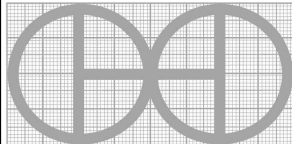


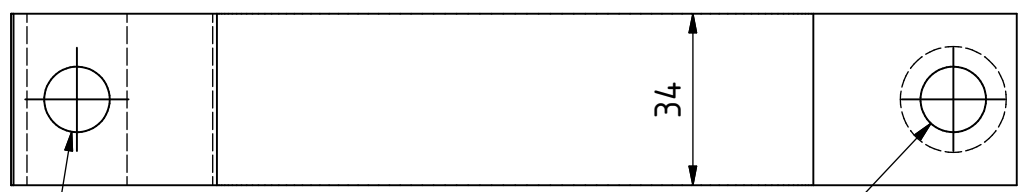
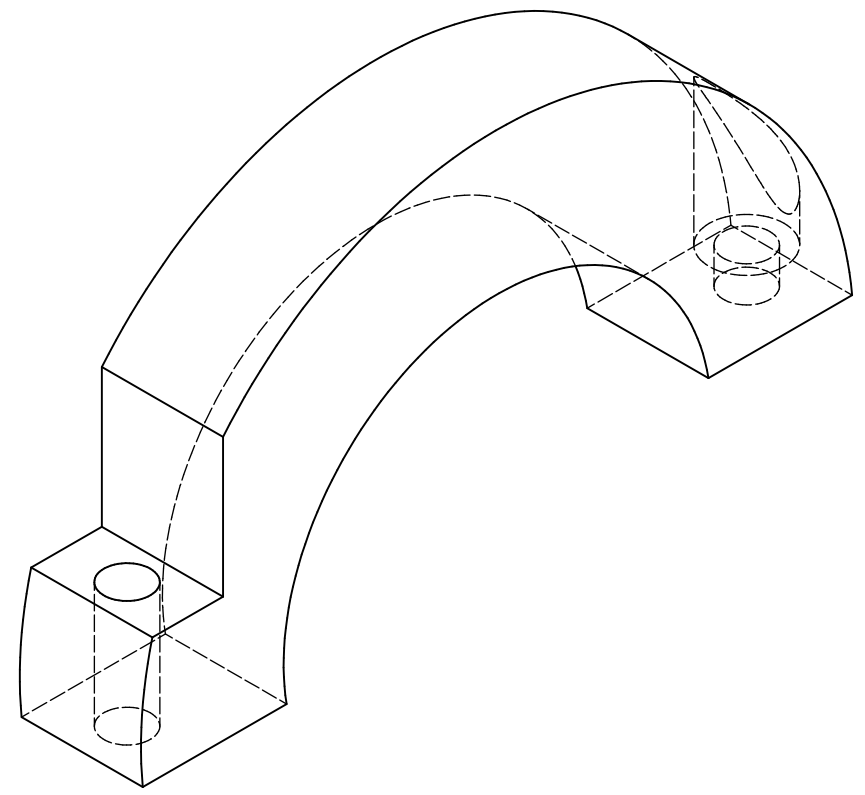
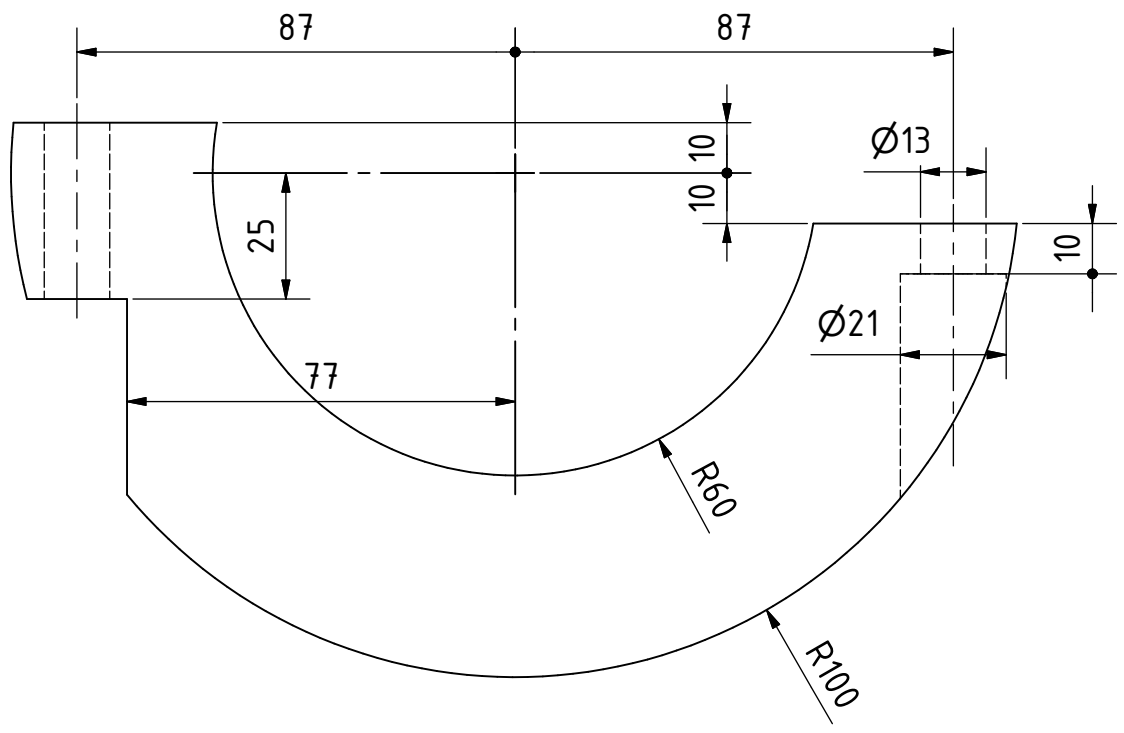
PROJECT	CREATED BY	APPROVED BY	DATE	VERSION
Vertical Drum Hemp Harvester	A. Morillo	D. Jaeger	12-04-2024	0.05
PART NAME	SPECIFICACIONES			CODE
Part 2.1.7	Steel 235J2			2.1.7
DEVELOPED BY	REDESIGNED BY	FILENAME		QTY
		2.1.7.ipt		4
		LICENSE	DOC. TYPE	SHEET
Hanfasser		CC-BY-SA 4.0	Part	91 / 146

OHO e.V.

2 : 15



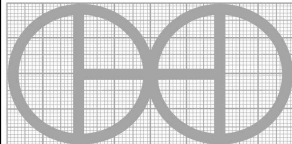
PROJECT	CREATED BY	APPROVED BY	DATE	VERSION	
Vertical Drum Hemp Harvester	A. Morillo	D. Jaeger	12-04-2024	0.05	
PART NAME	SPECIFICACIONES			CODE	
Part 2.1.8	Steel 235J2			2.1.8	
DEVELOPED BY	REDESIGNED BY	FILENAME		QTY	
Hanfasser		2.1.8.ipt		4	
		LICENSE	DOC. TYPE	SCALE	SHEET
		CC-BY-SA 4.0	Part	2 : 3	92 /146

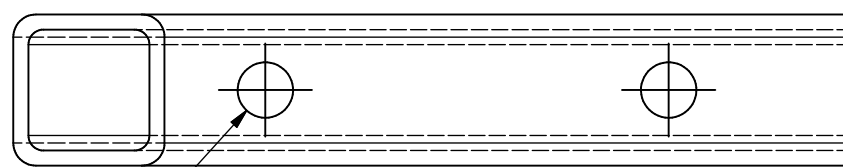
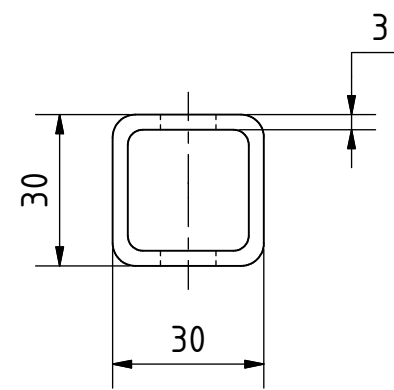
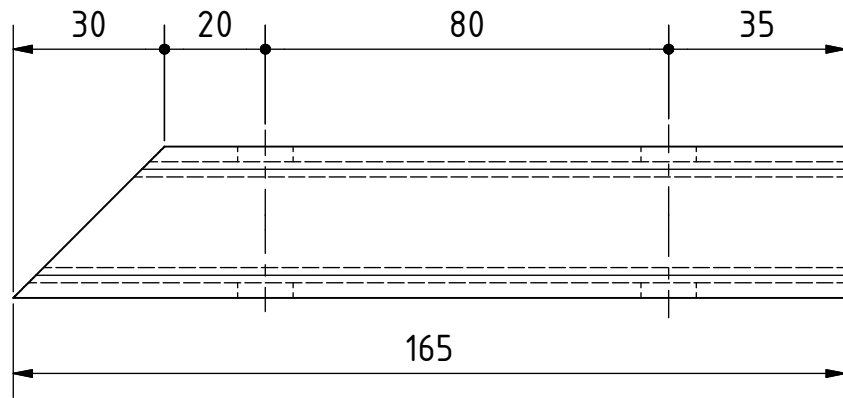


Ø13 THRU

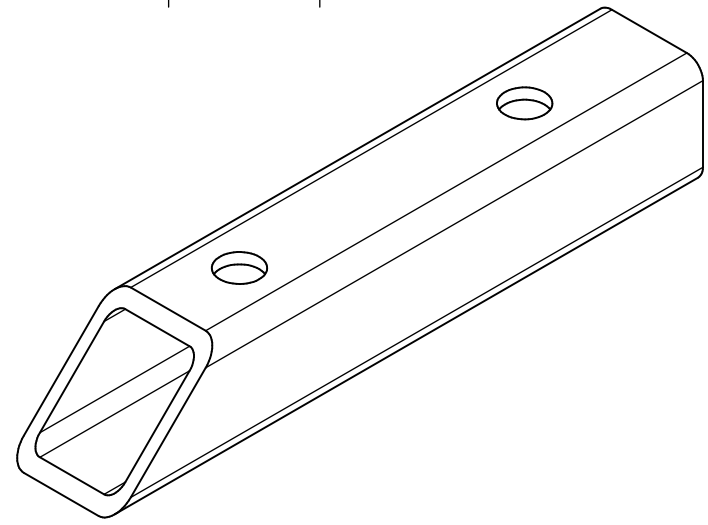
Ø13 THRU
DIN 974 - Ø21

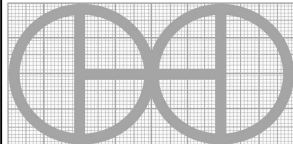
Verify material

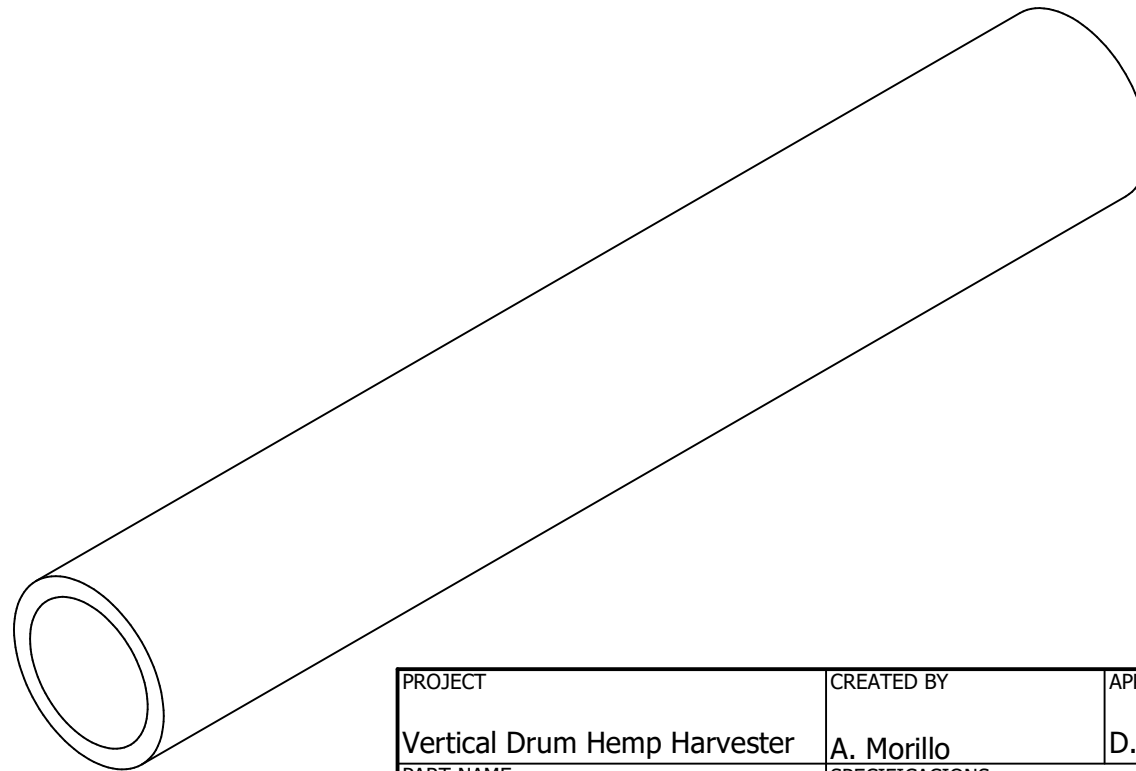
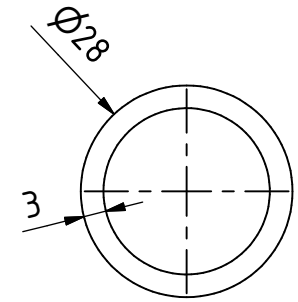
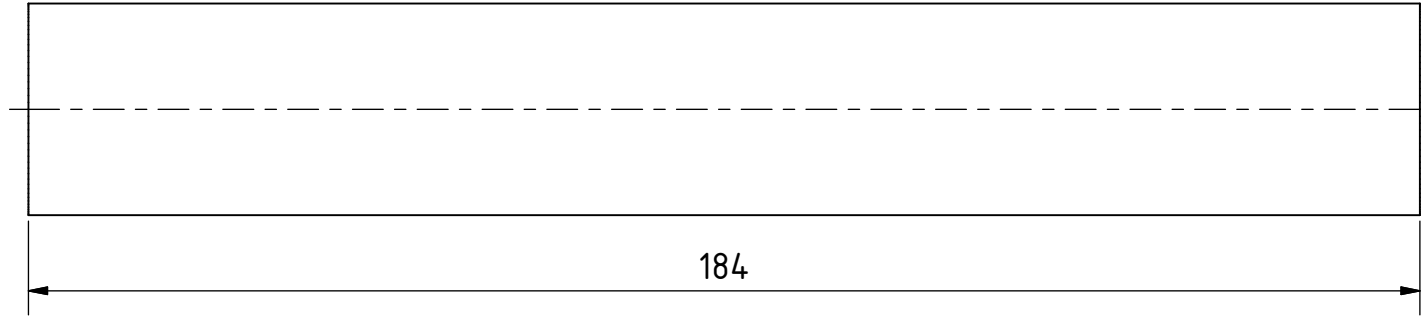
PROJECT	CREATED BY	APPROVED BY	DATE	VERSION
Vertical Drum Hemp Harvester	A. Morillo	D. Jaeger	12-04-2024	0.05
PART NAME	SPECIFICACIONES			CODE
Part 2.1.9	Cast iron (*)			2.1.9
DEVELOPED BY	REDESIGNED BY	FILENAME		QTY
		2.1.9.ipt		4
		LICENSE	DOC. TYPE	SCALE
Hanfasser		CC-BY-SA 4.0	Part	2 : 3
				93 /146

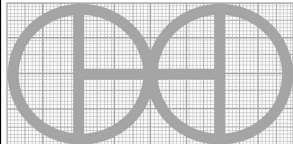


Ø11 - THRU
x2

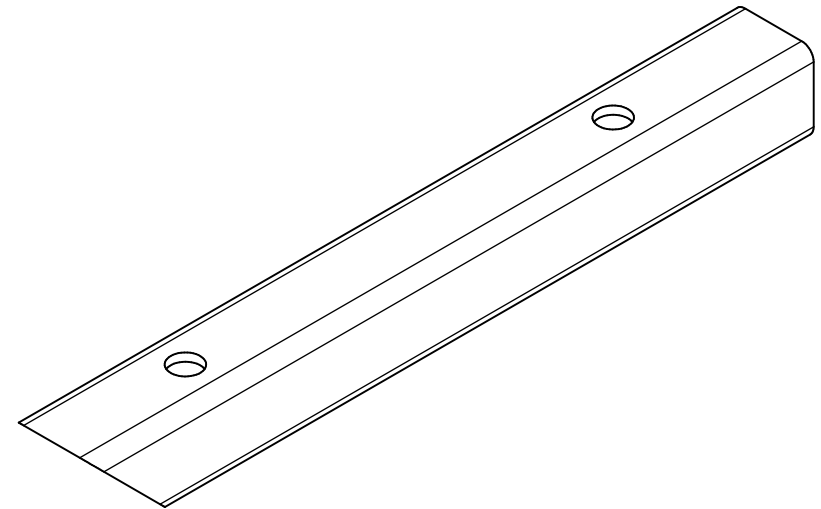
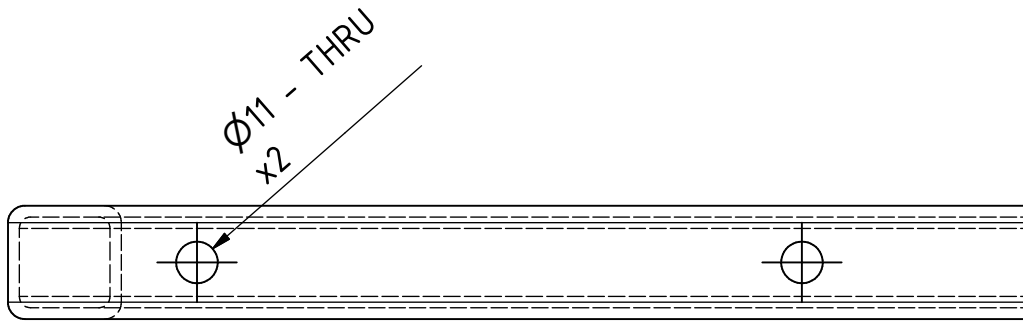
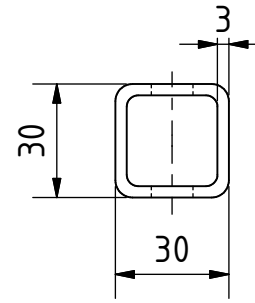
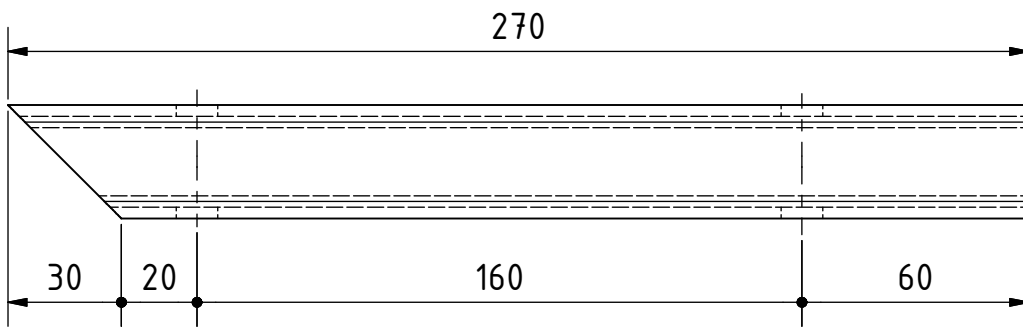


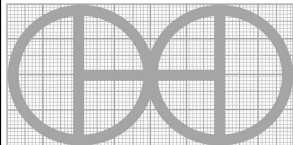
PROJECT	CREATED BY	APPROVED BY	DATE	VERSION
Vertical Drum Hemp Harvester	A. Morillo	D. Jaeger	12-04-2024	0.05
PART NAME	SPECIFICACIONES			CODE
Part 2.1.10	Steel 235J2			2.1.10
DEVELOPED BY	REDESIGNED BY	FILENAME		QTY
		2.1.10.ipt		8
		LICENSE	DOC. TYPE	SHEET
Hanfasser		CC-BY-SA 4.0	Part	2 : 3 94 /146

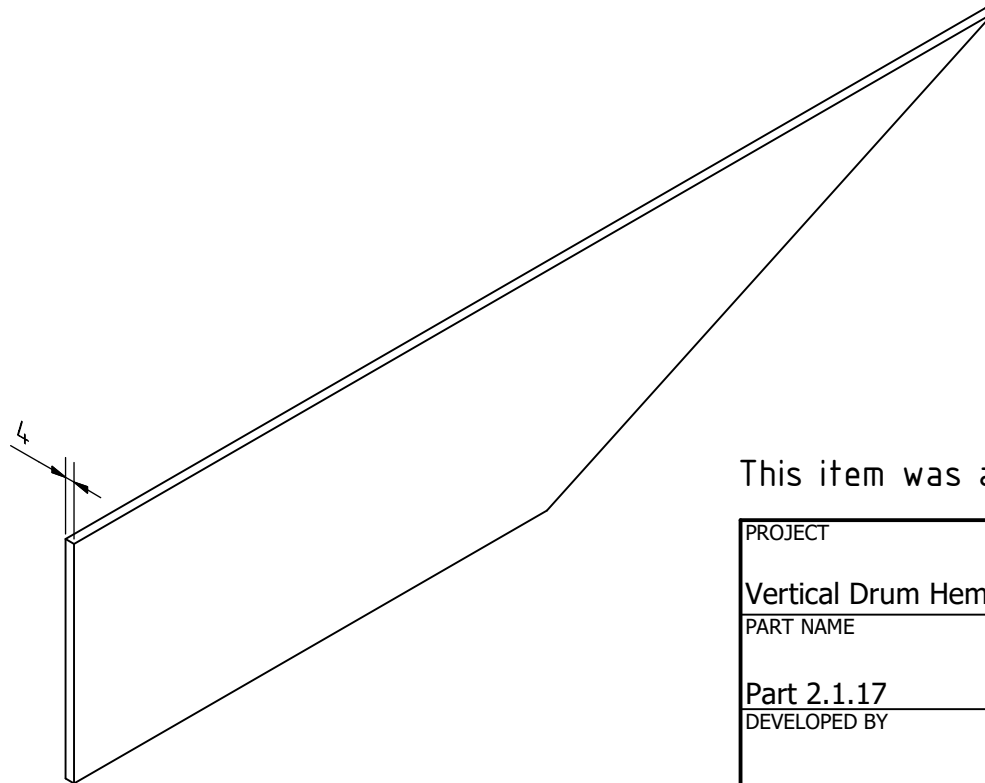
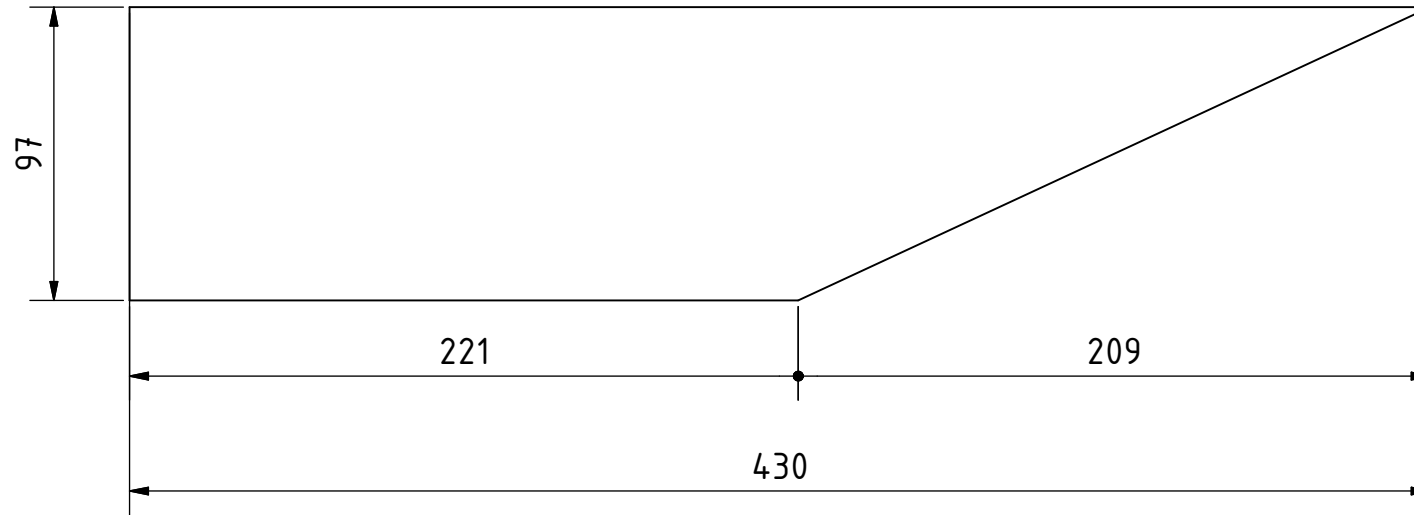


PROJECT	CREATED BY	APPROVED BY	DATE	VERSION	
Vertical Drum Hemp Harvester	A. Morillo	D. Jaeger	12-04-2024	0.05	
PART NAME	SPECIFICACIONES			CODE	
Part 2.1.11	Steel 235J2			2.1.11	
DEVELOPED BY	REDESIGNED BY	FILENAME		QTY	
Hanfasser		2.1.11.ipt		6	
		LICENSE	DOC. TYPE	SCALE	SHEET
		CC-BY-SA 4.0	Part	1 : 1	95 /146

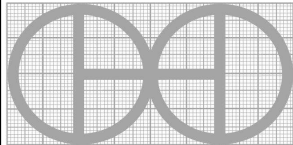
OHO e.V.



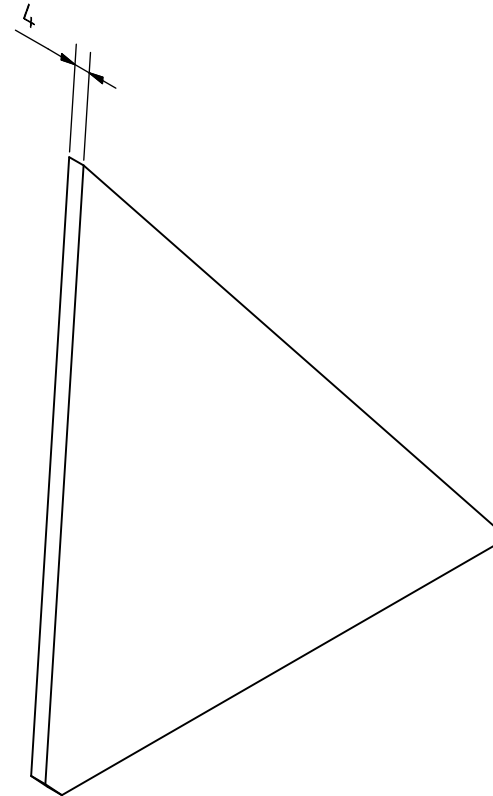
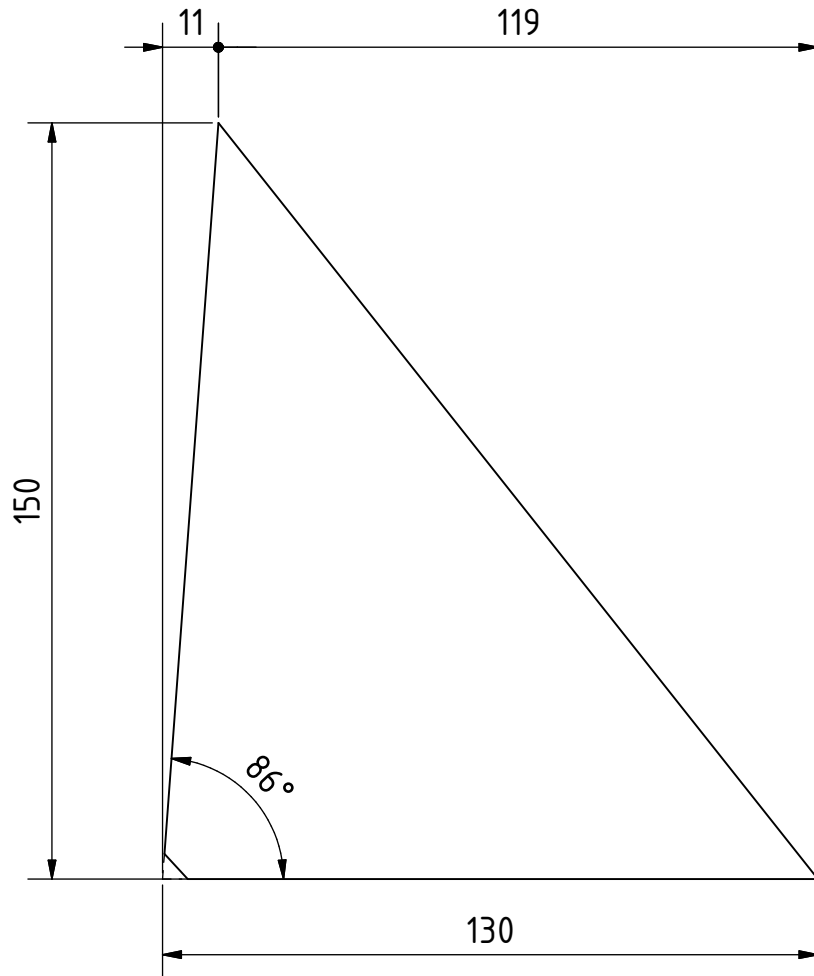
PROJECT	CREATED BY	APPROVED BY	DATE	VERSION
Vertical Drum Hemp Harvester	A. Morillo	D. Jaeger	12-04-2024	0.05
PART NAME	SPECIFICACIONES			CODE
Part 2.1.12	Steel 235J2			2.1.12
DEVELOPED BY	REDESIGNED BY	FILENAME		QTY
		2.1.12.ipt		8
Hanfasser		LICENSE	DOC. TYPE	SHEET
		CC-BY-SA 4.0	Part	1 : 2 96 /146



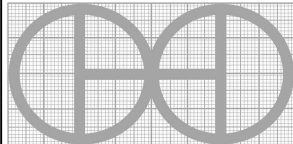
This item was adjusted to avoid interference problems

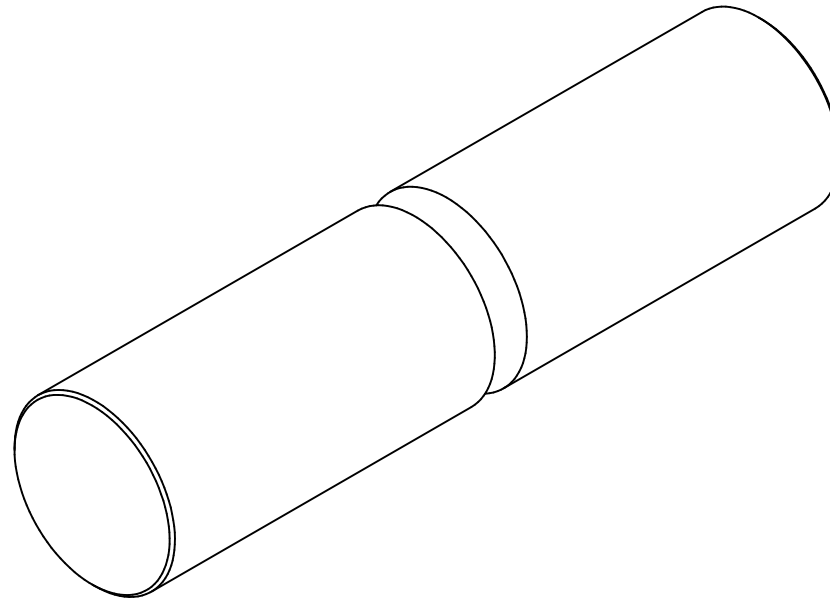
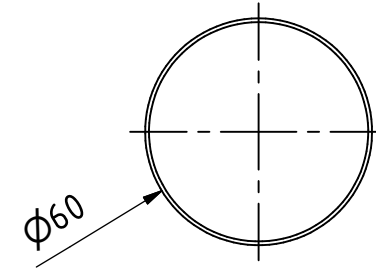
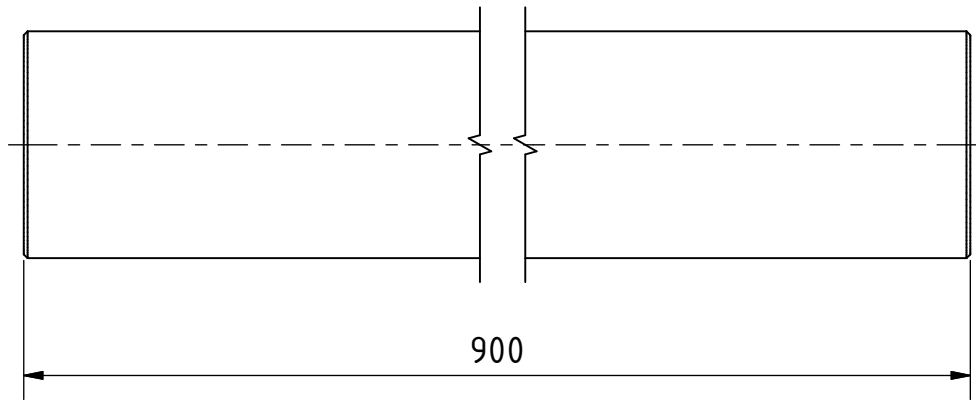
PROJECT	CREATED BY	APPROVED BY	DATE	VERSION	
Vertical Drum Hemp Harvester	A. Morillo	D. Jaeger	12-04-2024	0.05	
PART NAME	SPECIFICACIONES			CODE	
Part 2.1.17	Steel 235J2			2.1.17	
DEVELOPED BY	REDESIGNED BY	FILENAME		QTY	
Hanfasser		2.1.17.ipt		4	
		LICENSE	DOC. TYPE	SCALE	SHEET
		CC-BY-SA 4.0	Part	2 : 5	97 /146

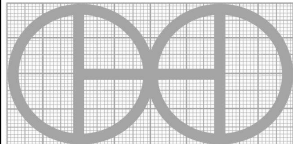
OHO e.V.



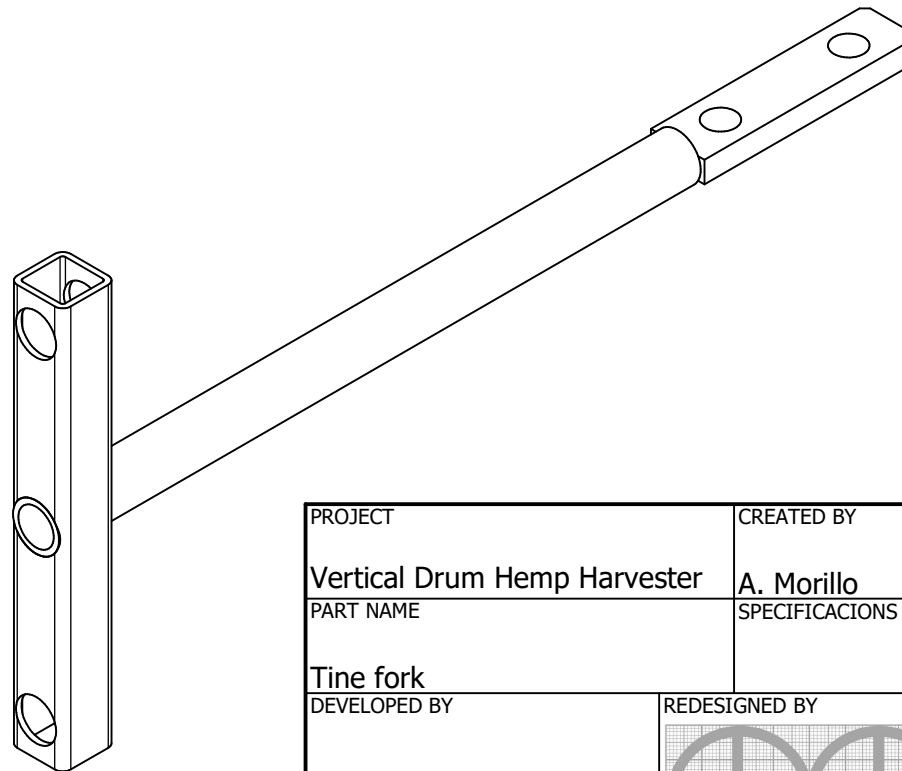
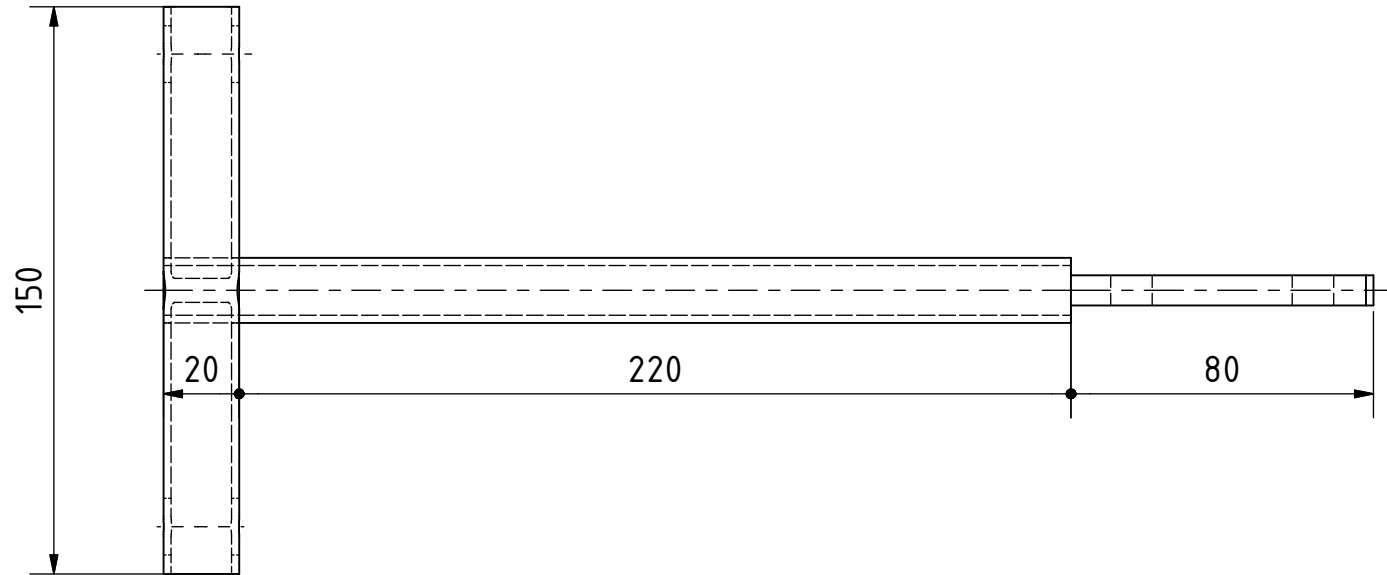
This item was adjusted to avoid interference problems

PROJECT	CREATED BY	APPROVED BY	DATE	VERSION	
Vertical Drum Hemp Harvester	A. Morillo	D. Jaeger	12-04-2024	0.05	
PART NAME	SPECIFICACIONES			CODE	
Part 2.1.18	Steel 235J2			2.1.18	
DEVELOPED BY	REDESIGNED BY	FILENAME		QTY	
Hanfasser		2.1.18.ipt		4	
		LICENSE	DOC. TYPE	SCALE	SHEET
		CC-BY-SA 4.0	Part	2 : 3	98 /146

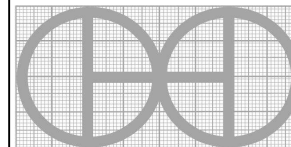


PROJECT	CREATED BY	APPROVED BY	DATE	VERSION	
Vertical Drum Hemp Harvester	A. Morillo	D. Jaeger	12-04-2024	0.05	
PART NAME	SPECIFICACIONES			CODE	
Axle for drum mounting diam. 40	Steel 235J2			2.6.0	
DEVELOPED BY	REDESIGNED BY	FILENAME		QTY	
Hanfasser		2.6.ipt		2	
		LICENSE	DOC. TYPE	SCALE	SHEET
		CC-BY-SA 4.0	Part	1 : 2	99 /146

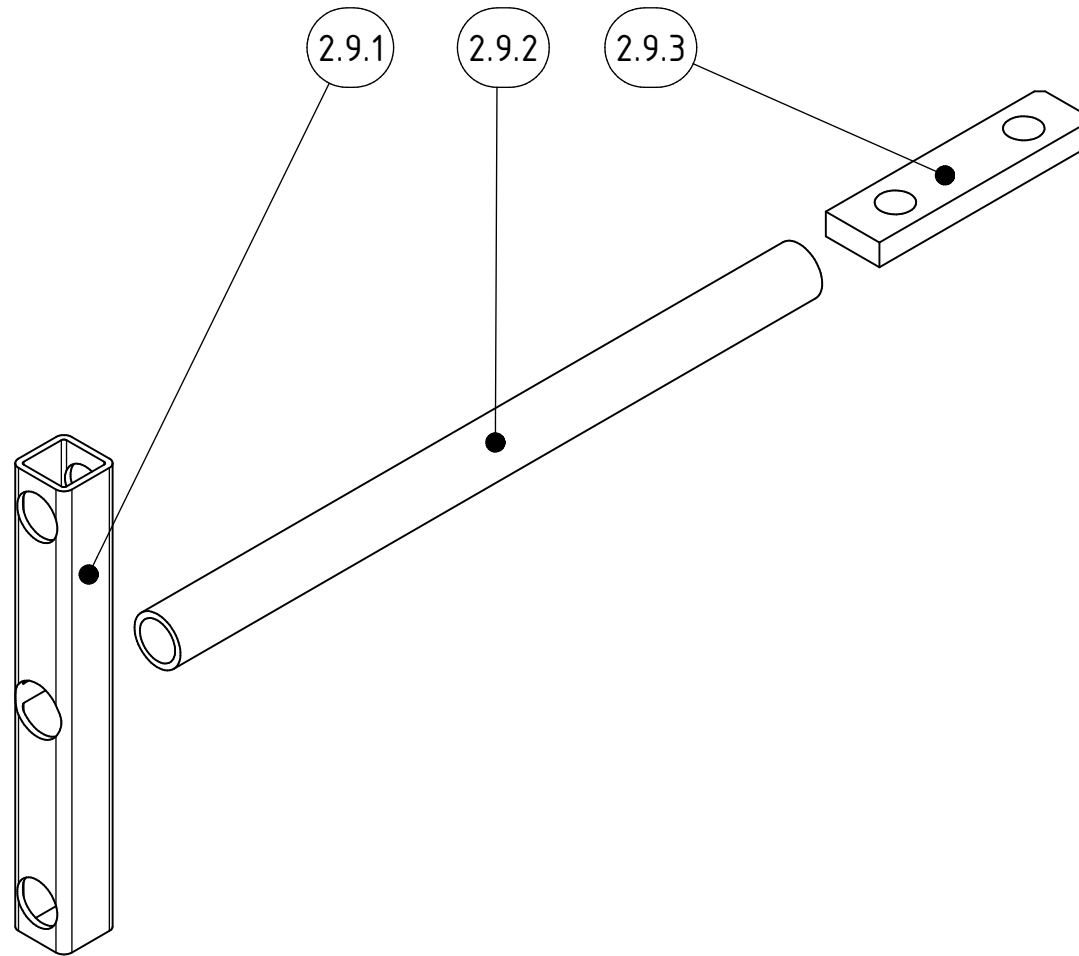
OHO e.V.

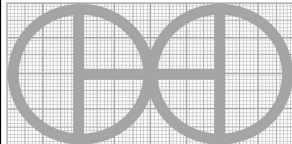


PROJECT	CREATED BY	APPROVED BY	DATE	VERSION
Vertical Drum Hemp Harvester	A. Morillo	D. Jaeger	12-04-2024	0.05
PART NAME	SPECIFICACIONES			CODE
Tine fork				2.9.0
DEVELOPED BY	REDESIGNED BY	FILENAME		QTY
		2.9.iam		48
		LICENSE	DOC. TYPE	SCALE
Handfasser		CC-BY-SA 4.0	Assembly	1 : 2
				SHEET
				100 /146

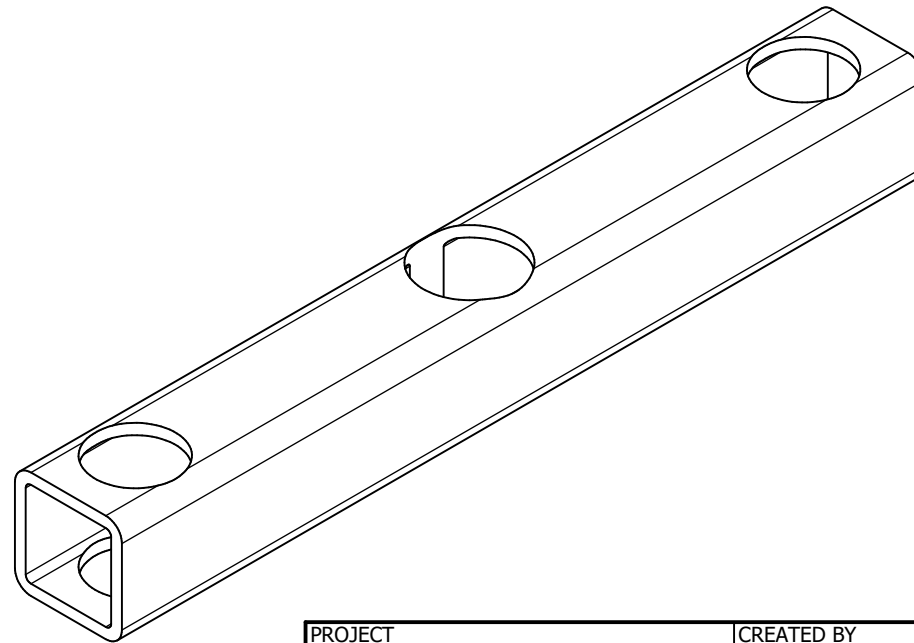
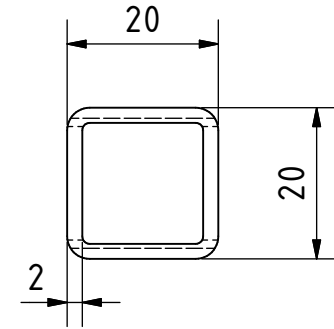
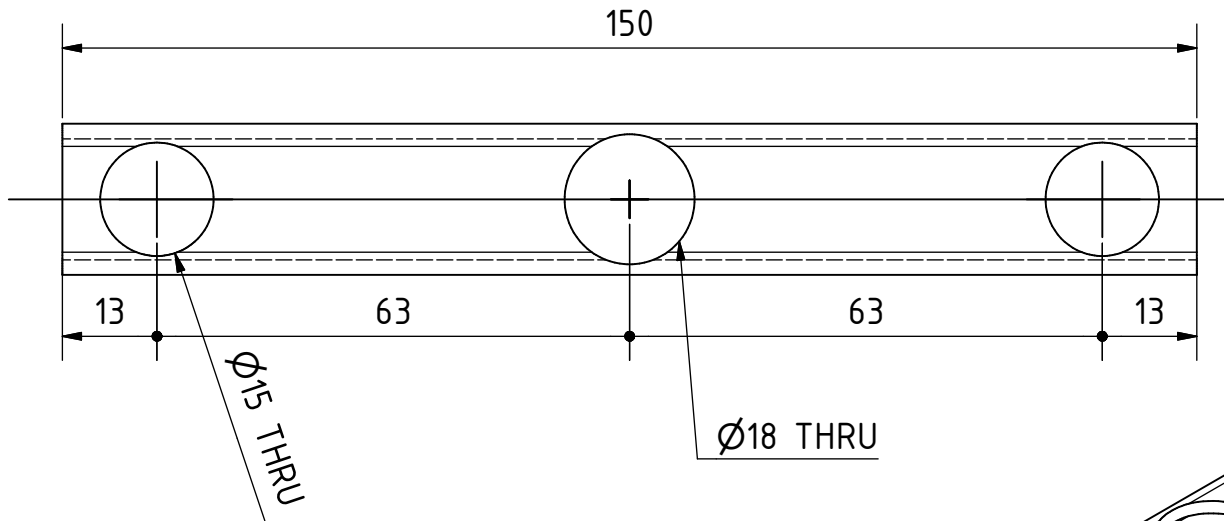


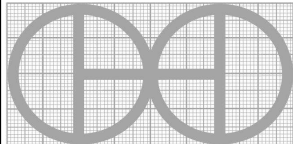
OHO e.V.

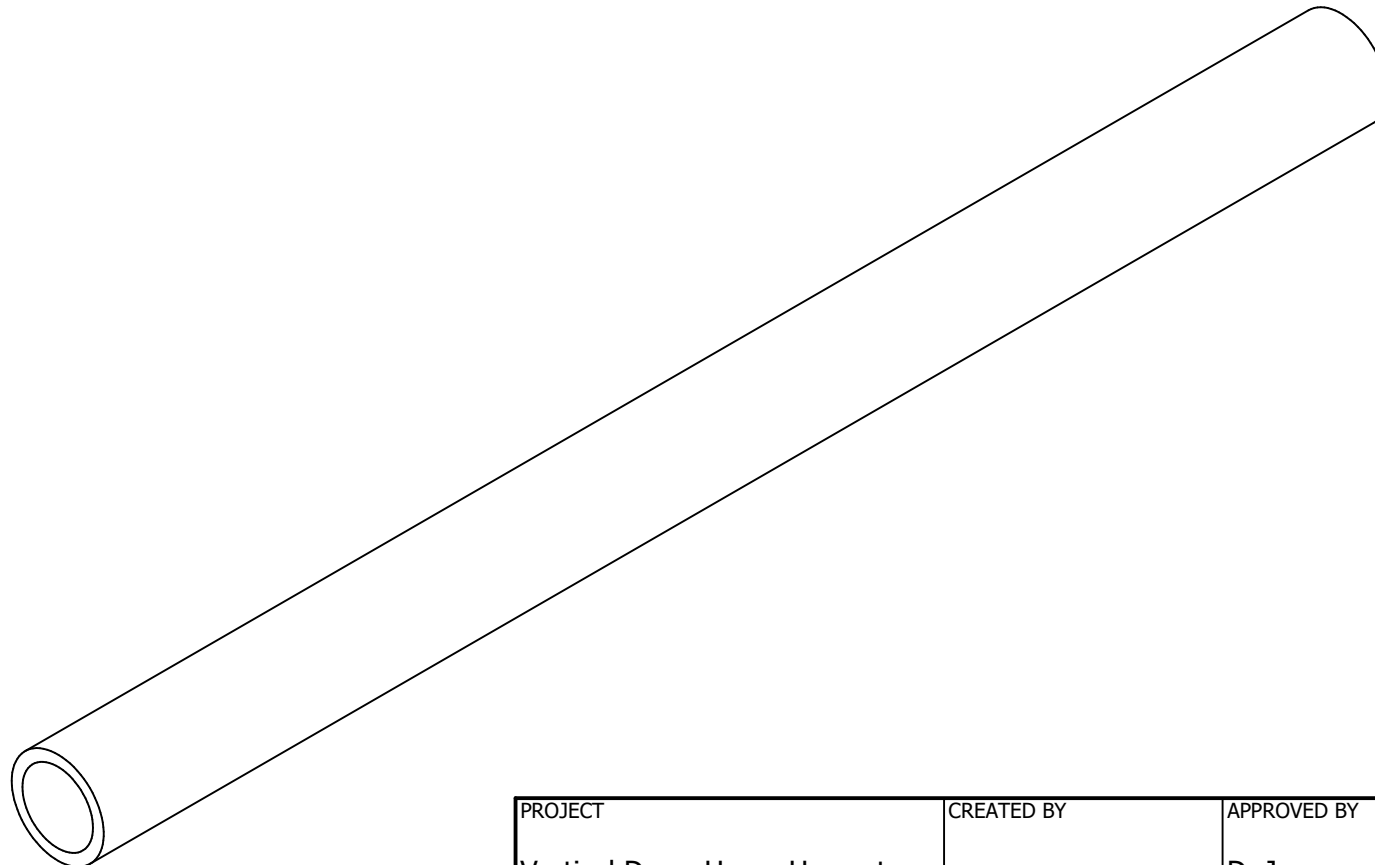
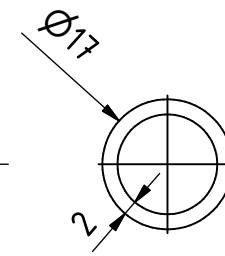
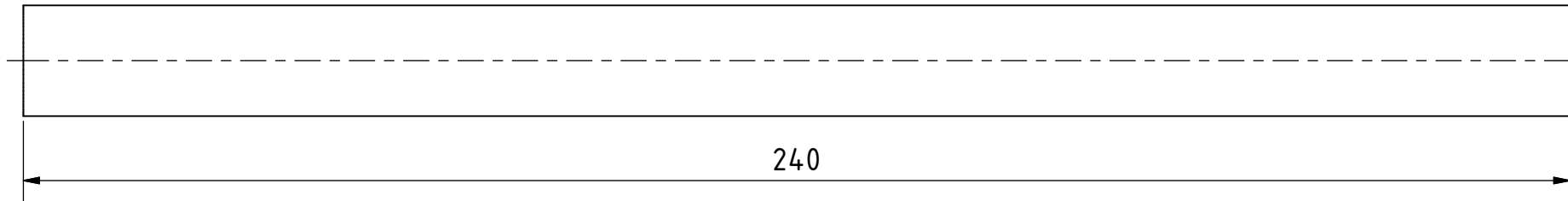


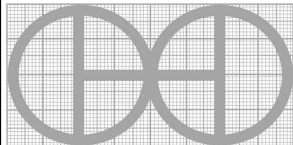
PROJECT	CREATED BY	APPROVED BY	DATE	VERSION
Vertical Drum Hemp Harvester	A. Morillo	D. Jaeger	12-04-2024	0.05
PART NAME	SPECIFICACIONES			CODE
Tine fork				2.9.0
DEVELOPED BY	REDESIGNED BY	FILENAME		QTY
		2.9.ipn		48
Hanfasser		LICENSE	DOC. TYPE	SHEET
		CC-BY-SA 4.0	Assembly	101 /146
		SCALE	1 : 2	

OHO e.V.

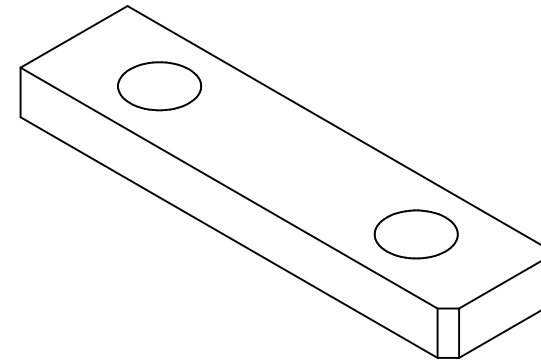
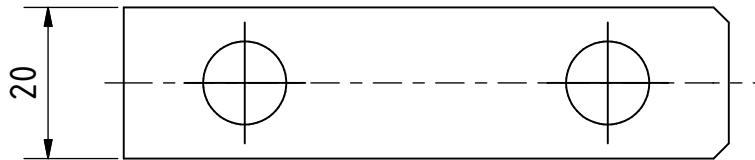
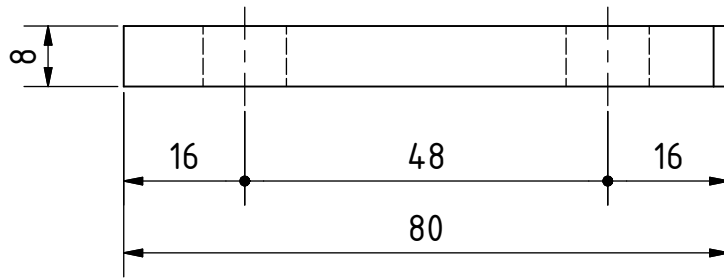


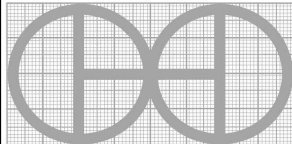
PROJECT	CREATED BY	APPROVED BY	DATE	VERSION	
Vertical Drum Hemp Harvester	A. Morillo	D. Jaeger	12-04-2024	0.05	
PART NAME	SPECIFICACIONES			CODE	
Part 2.9.1	Steel 235J2			2.9.1	
DEVELOPED BY	REDESIGNED BY	FILENAME		QTY	
		2.9.1.ipt		48	
Hanfasser		LICENSE	DOC. TYPE	SCALE	SHEET
		CC-BY-SA 4.0	Part	1 : 1	102 /146

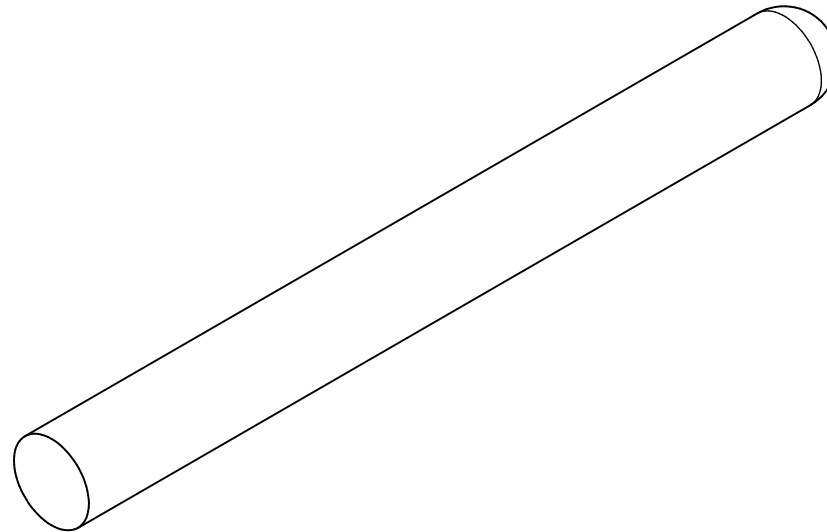
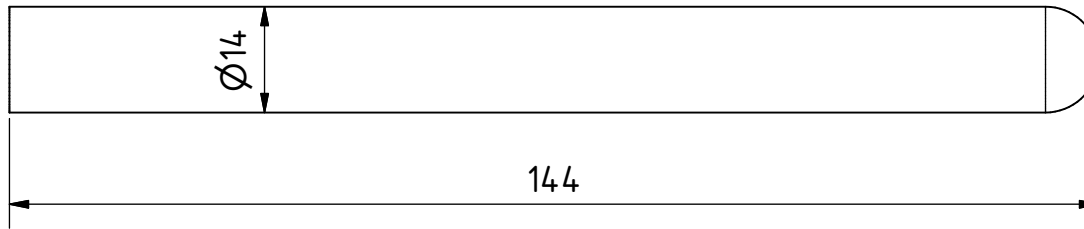


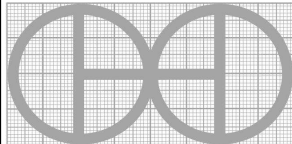
PROJECT	CREATED BY	APPROVED BY	DATE	VERSION	
Vertical Drum Hemp Harvester	A. Morillo	D. Jaeger	12-04-2024	0.05	
PART NAME	SPECIFICACIONES			CODE	
Part 2.9.2	Steel 235J2			2.9.2	
DEVELOPED BY	REDESIGNED BY	FILENAME		QTY	
Hanfasser		2.9.2.ipt		48	
		LICENSE	DOC. TYPE	SCALE	SHEET
		CC-BY-SA 4.0	Part	1 : 1	103 /146

OHO e.V.

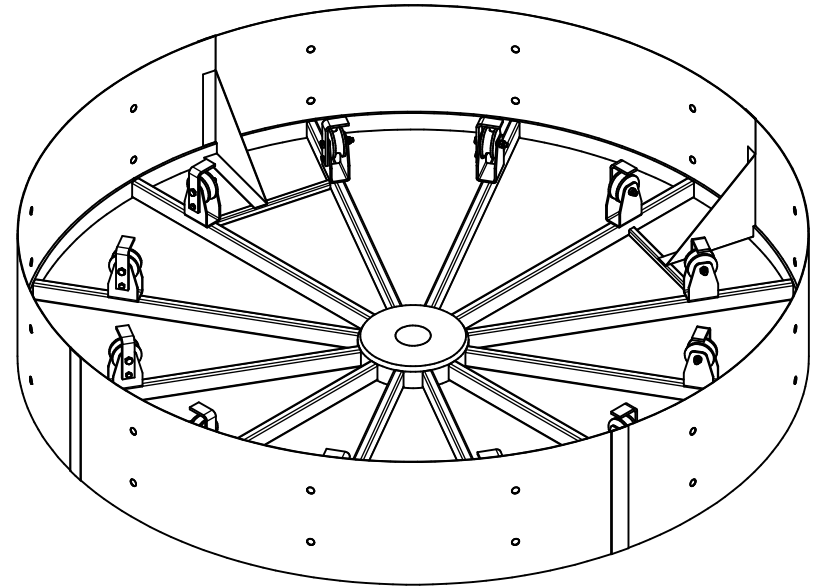
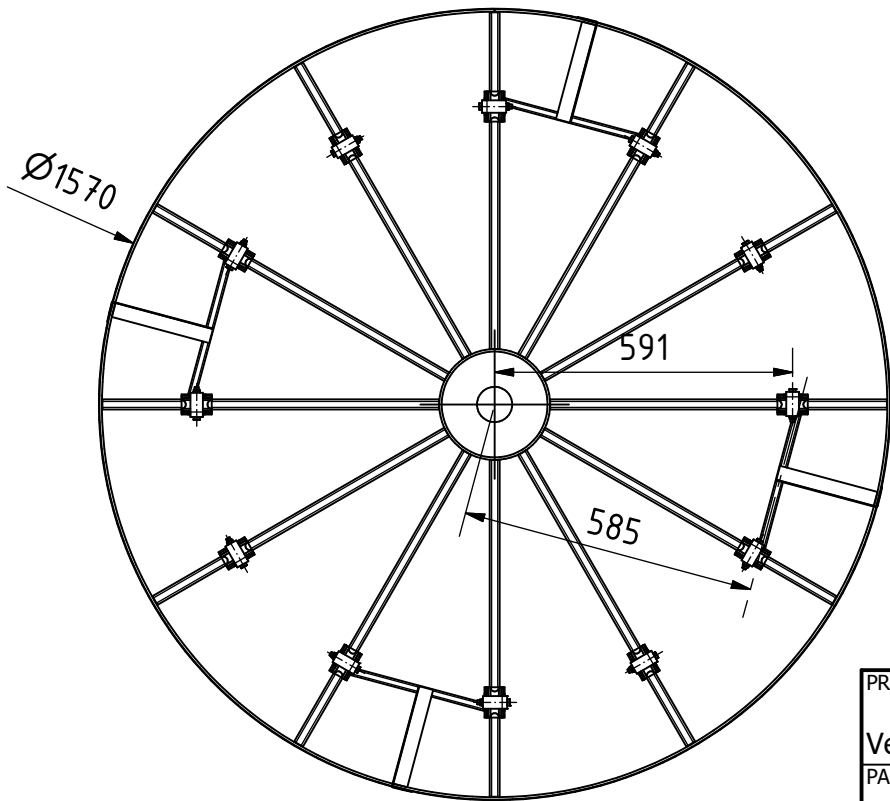
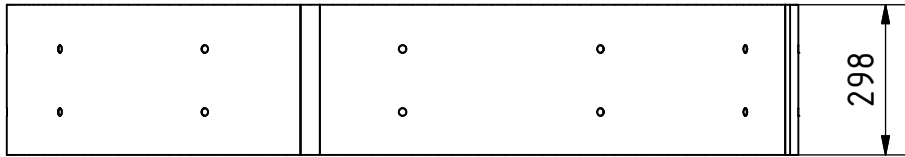


PROJECT	CREATED BY	APPROVED BY	DATE	VERSION	
Vertical Drum Hemp Harvester	A. Morillo	D. Jaeger	12-04-2024	0.05	
PART NAME	SPECIFICACIONES			CODE	
Part 2.9.3	Steel 235J2			2.9.3	
DEVELOPED BY	REDESIGNED BY	FILENAME		QTY	
Hanfasser		2.9.3.ipt		48	
		LICENSE	DOC. TYPE	SCALE	SHEET
		CC-BY-SA 4.0	Part	1 : 1	104 / 146

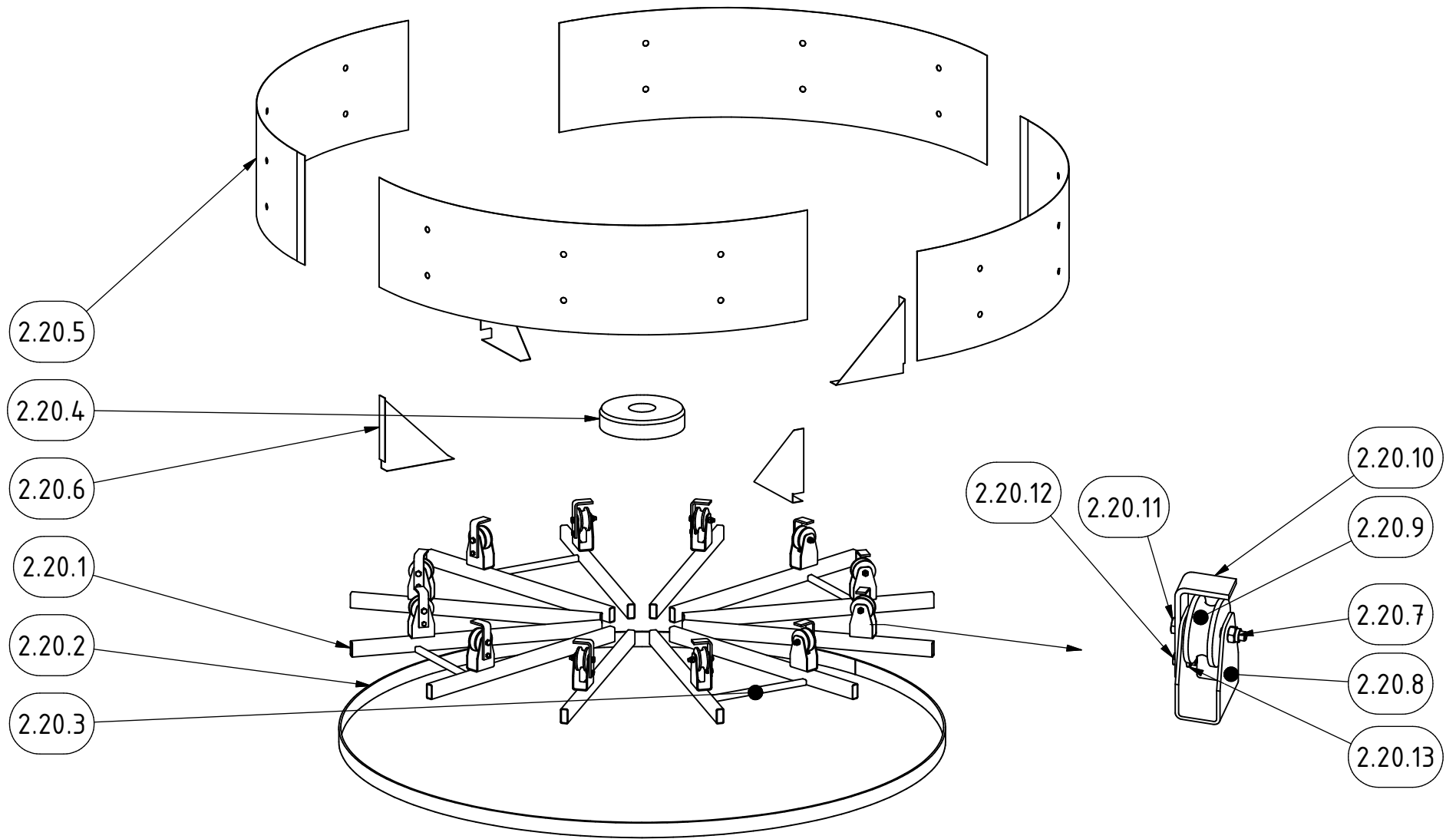


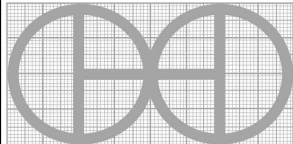
PROJECT	CREATED BY	APPROVED BY	DATE	VERSION	
Vertical Drum Hemp Harvester	A. Morillo	D. Jaeger	12-04-2024	0.05	
PART NAME	SPECIFICACIONES			CODE	
Tines	D: 14mm, L: 144mm, Steel 235J2			2.11.0	
DEVELOPED BY	REDESIGNED BY	FILENAME		QTY	
Hanfasser		2.11.ipt		96	
		LICENSE	DOC. TYPE	SCALE	SHEET
		CC-BY-SA 4.0	Part	1 : 1	105 /146

OHO e.V.

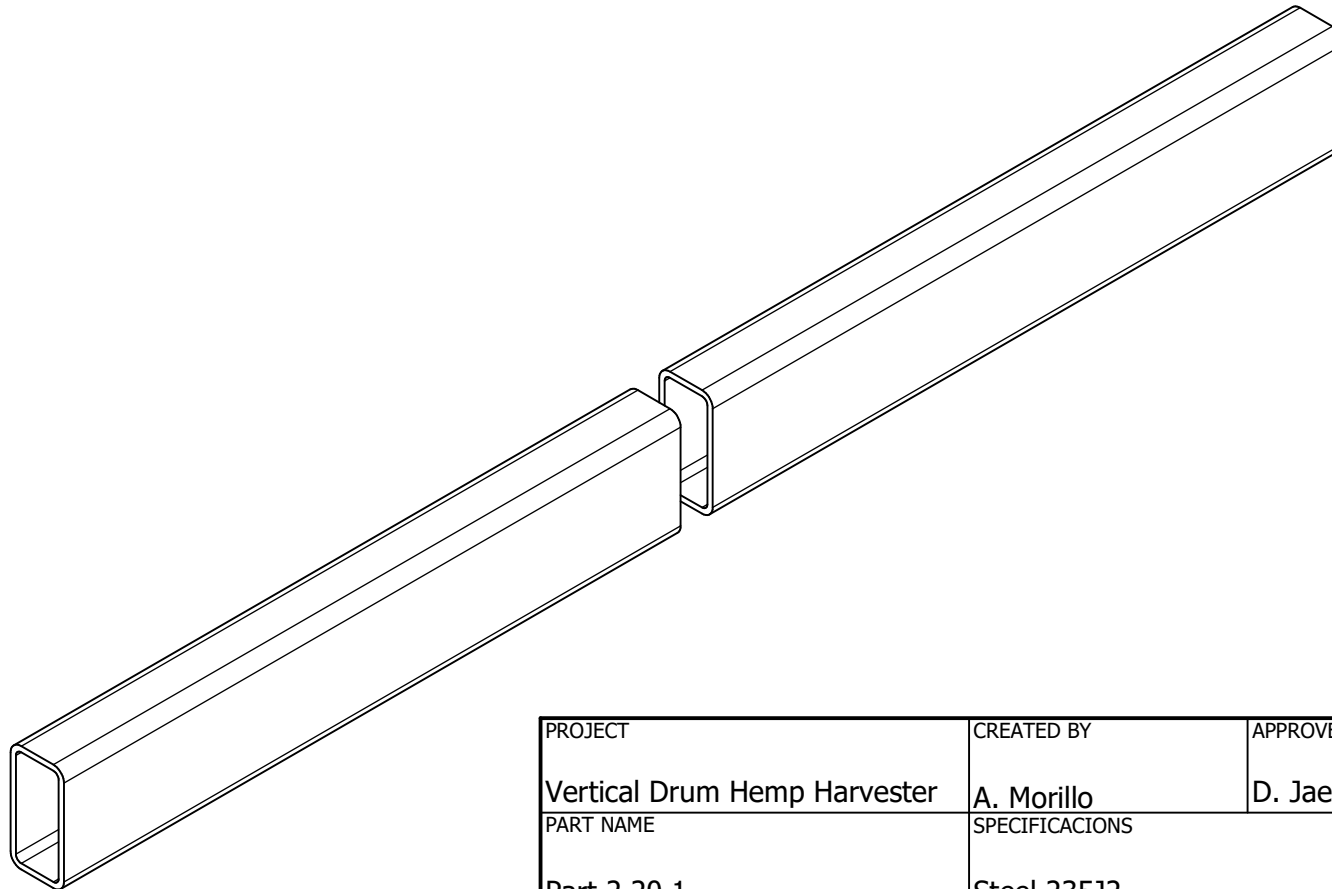
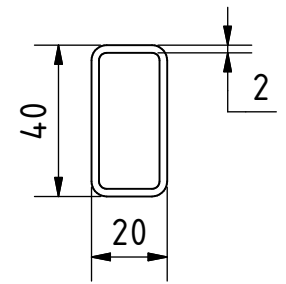
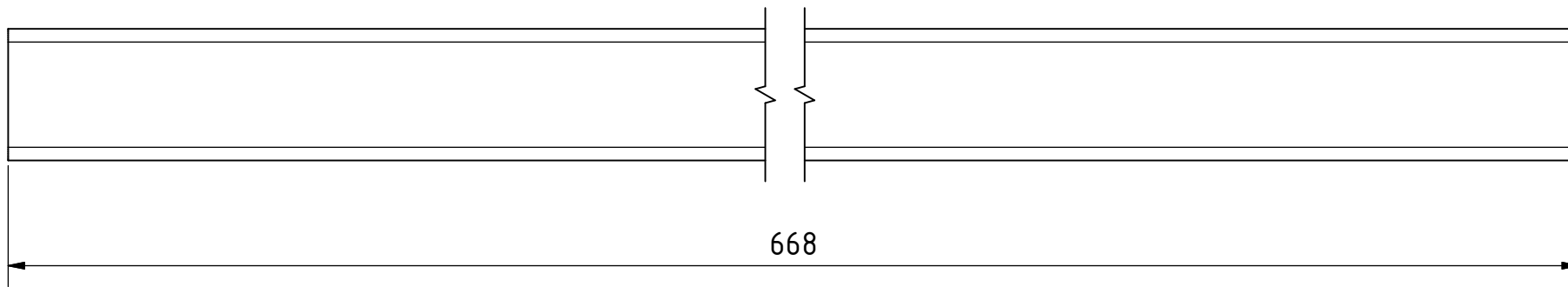


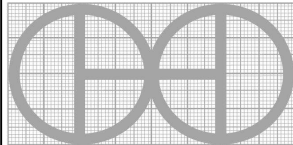
PROJECT	CREATED BY	APPROVED BY	DATE	VERSION
Vertical Drum Hemp Harvester	A. Morillo	D. Jaeger	12-04-2024	0.05
PART NAME	SPECIFICACIONES			CODE
Feed drum_center cpl				2.20.0
DEVELOPED BY	REDESIGNED BY	FILENAME	QTY	
		2.20.iam	2	
		LICENSE	DOC. TYPE	SCALE
Hanfasser		CC-BY-SA 4.0	Assembly	1 : 15
				SHEET
				106 /146



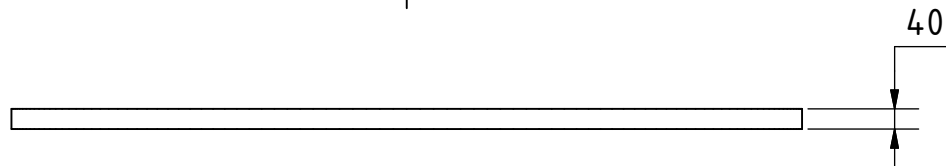
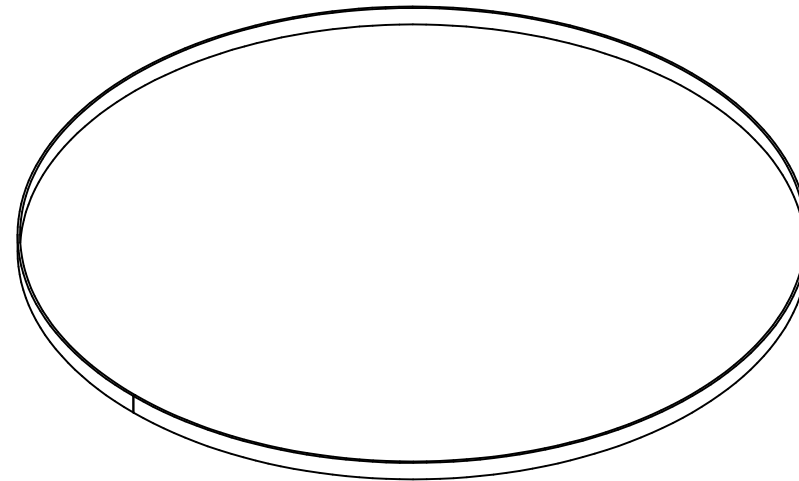
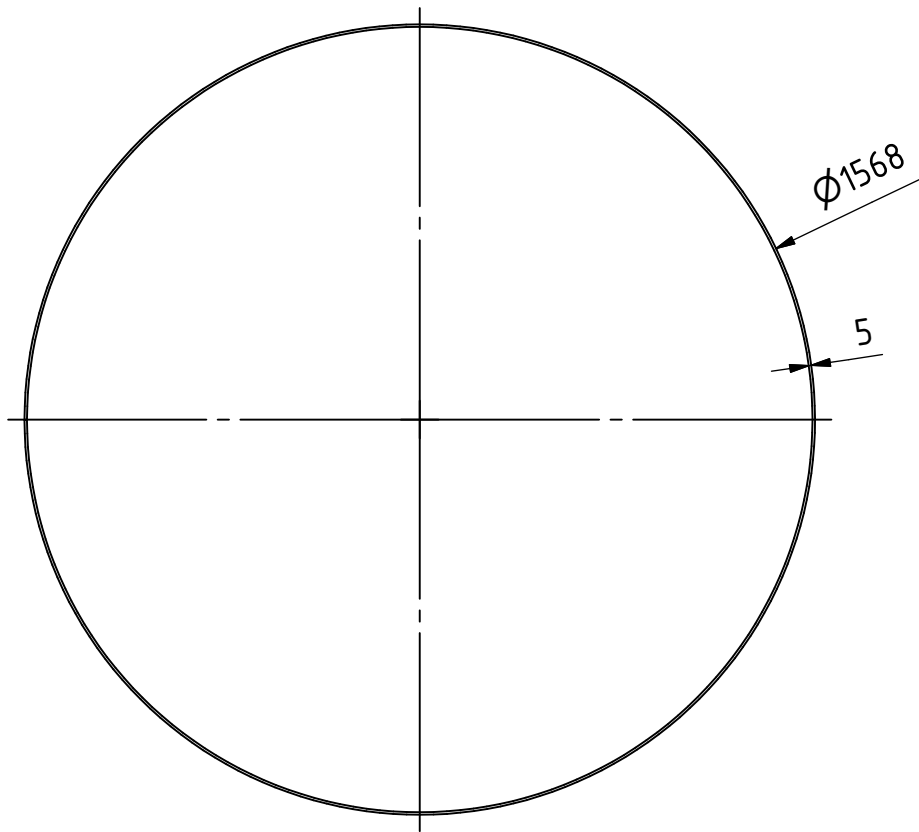
PROJECT	CREATED BY	APPROVED BY	DATE	VERSION
Vertical Drum Hemp Harvester	A. Morillo	D. Jaeger	12-04-2024	0.05
PART NAME	SPECIFICACIONES			CODE
Feed drum_center cpl				2.20.0
DEVELOPED BY	REDESIGNED BY	FILENAME		QTY
		2.20.ipn		2
Hanfasser		LICENSE	DOC. TYPE	SHEET
		CC-BY-SA 4.0	Assembly	107 /146

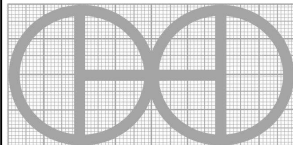
OHO e.V.



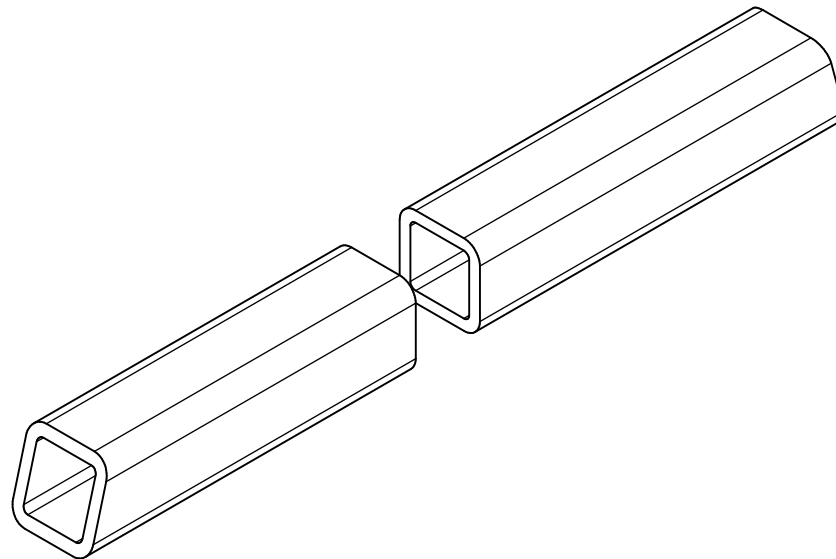
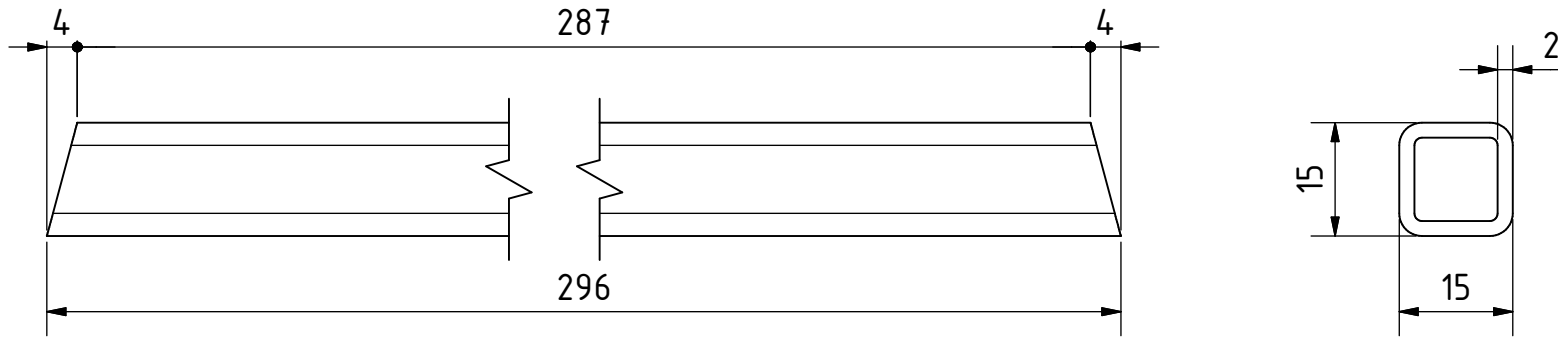
PROJECT	CREATED BY	APPROVED BY	DATE	VERSION	
Vertical Drum Hemp Harvester	A. Morillo	D. Jaeger	12-04-2024	0.05	
PART NAME	SPECIFICACIONES			CODE	
Part 2.20.1	Steel 235J2			2.20.1	
DEVELOPED BY	REDESIGNED BY	FILENAME		QTY	
Hanfasser		2.20.1.ipt		24	
		LICENSE	DOC. TYPE	SCALE	SHEET
		CC-BY-SA 4.0	Part	1 : 2	108 /146

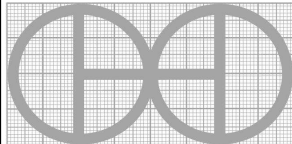
OHO e.V.

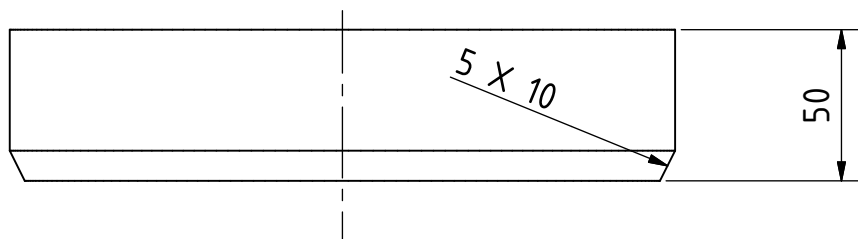
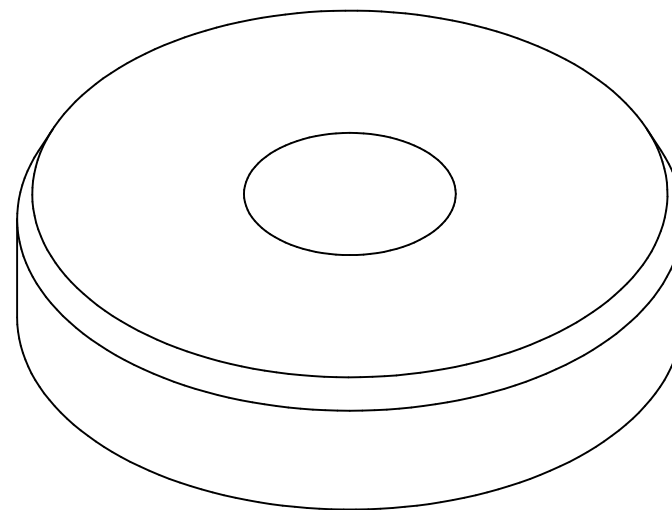
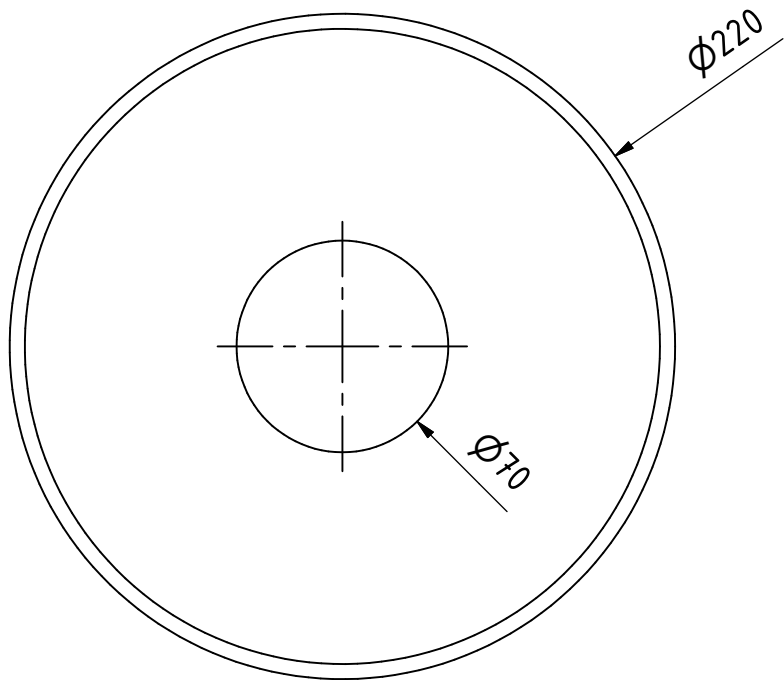


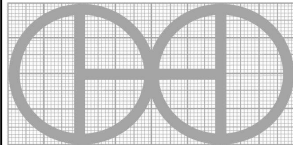
PROJECT	CREATED BY	APPROVED BY	DATE	VERSION	
Vertical Drum Hemp Harvester	A. Morillo	D. Jaeger	12-04-2024	0.05	
PART NAME	SPECIFICACIONES			CODE	
Part 2.20.2	Steel 235J2			2.20.2	
DEVELOPED BY	REDESIGNED BY	FILENAME		QTY	
Hanfasser		2.20.2.ipt		2	
		LICENSE	DOC. TYPE	SCALE	SHEET
		CC-BY-SA 4.0	Part	1 : 15	109 /146

OHO e.V.

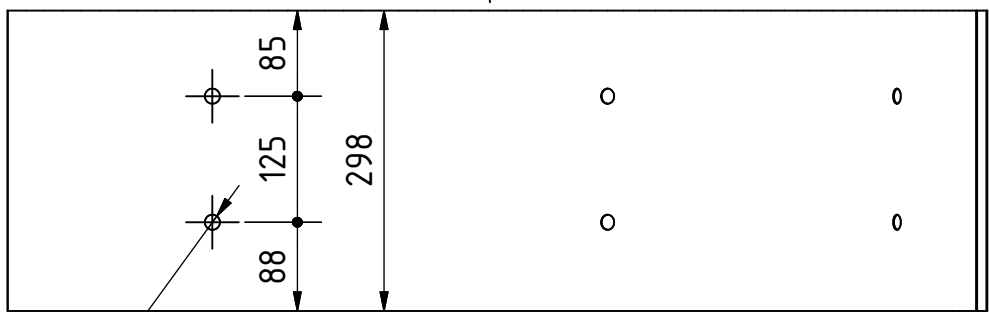
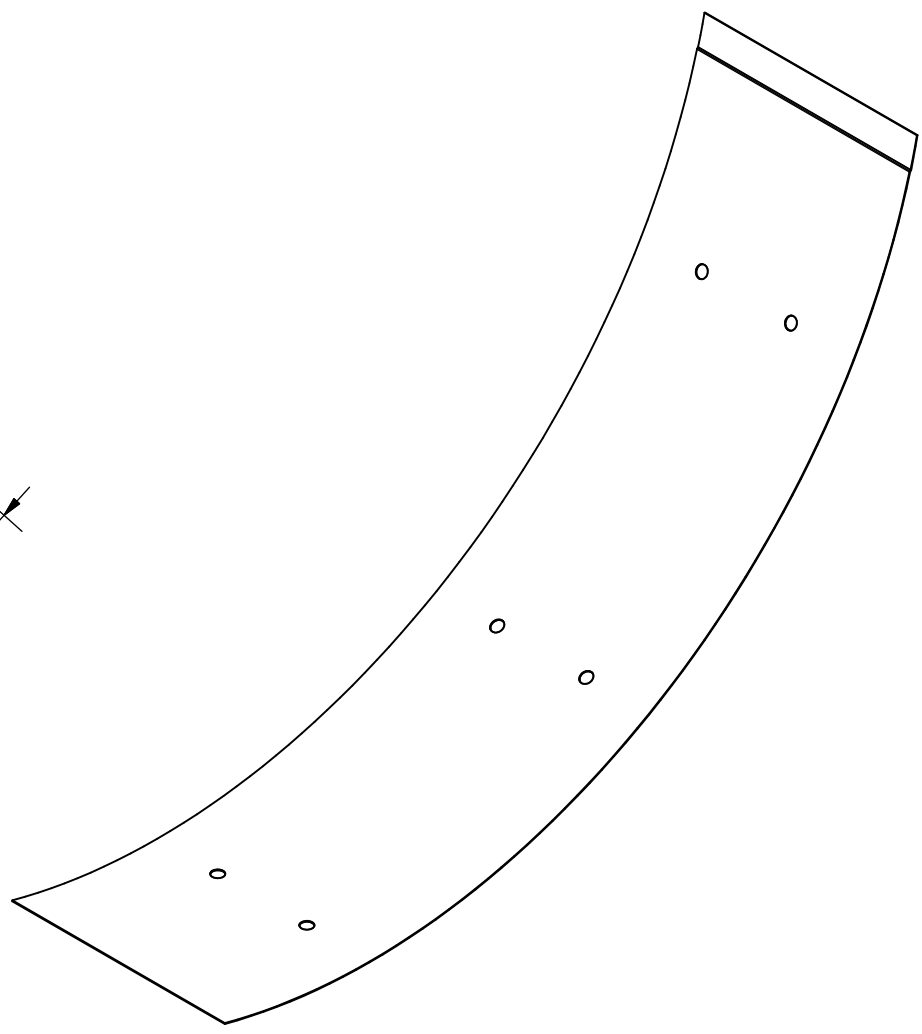
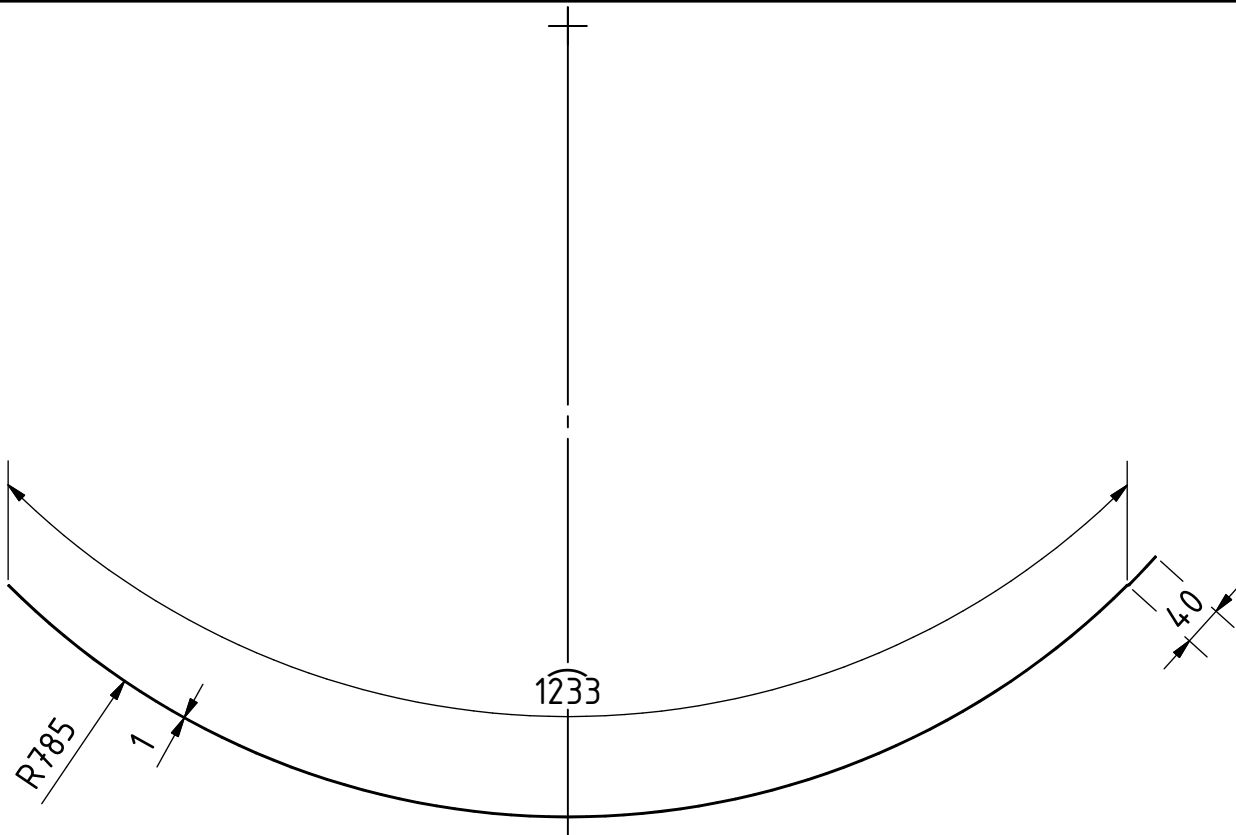


PROJECT	CREATED BY	APPROVED BY	DATE	VERSION	
Vertical Drum Hemp Harvester	A. Morillo	D. Jaeger	12-04-2024	0.05	
PART NAME	SPECIFICACIONES			CODE	
Part 2.20.3	Steel 235J2			2.20.3	
DEVELOPED BY	REDESIGNED BY	FILENAME		QTY	
Hanfasser		2.20.3.ipt		8	
		LICENSE	DOC. TYPE	SCALE	SHEET
		CC-BY-SA 4.0	Part	1 : 1	110 /146

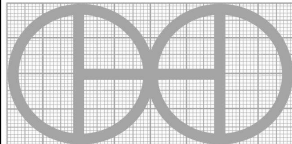


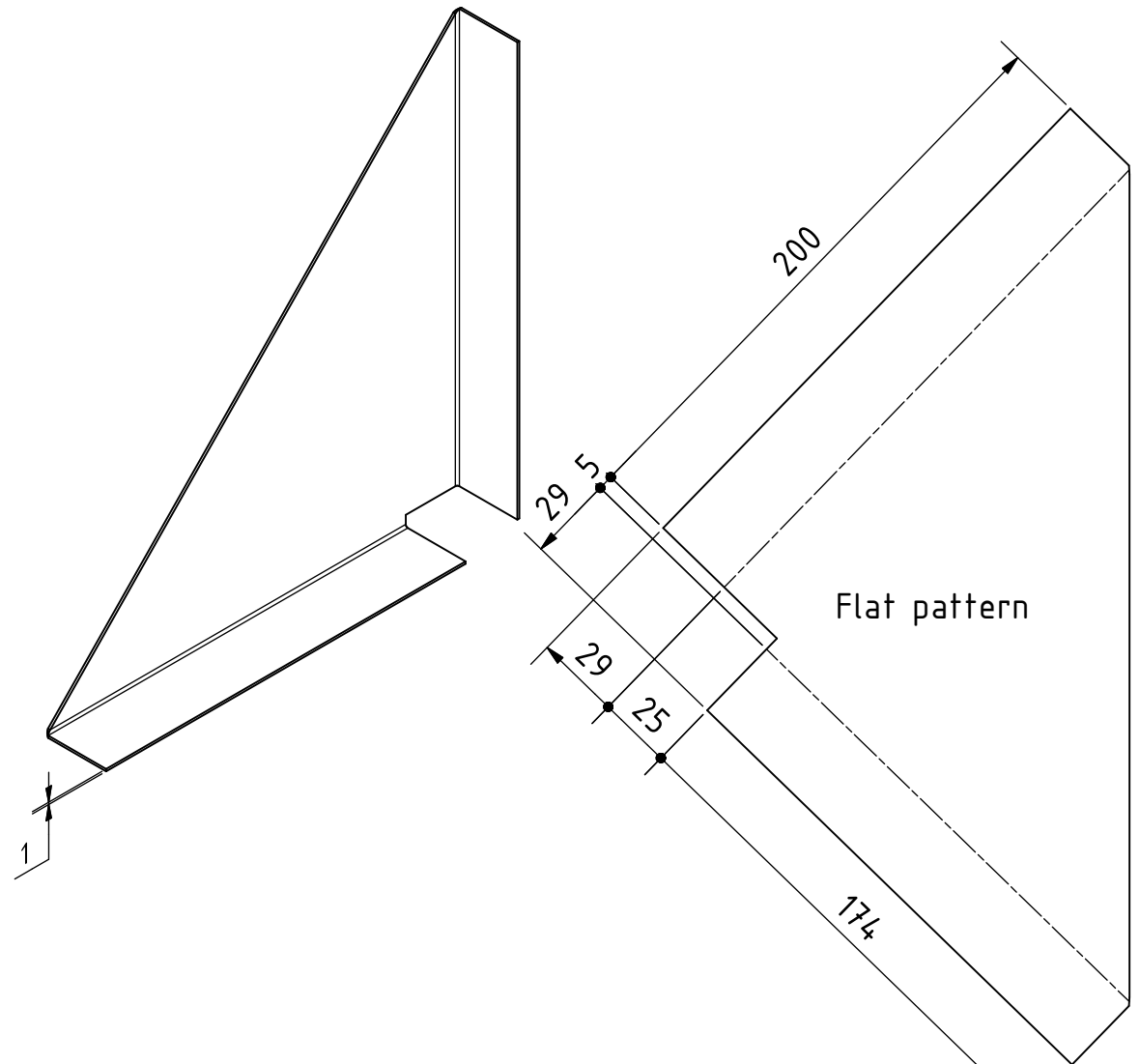
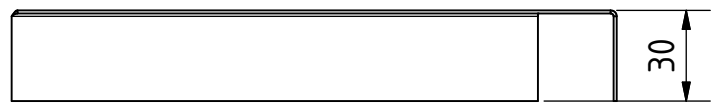
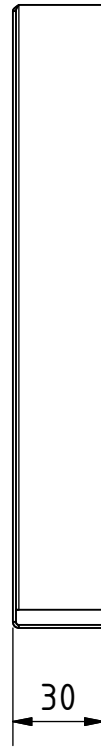
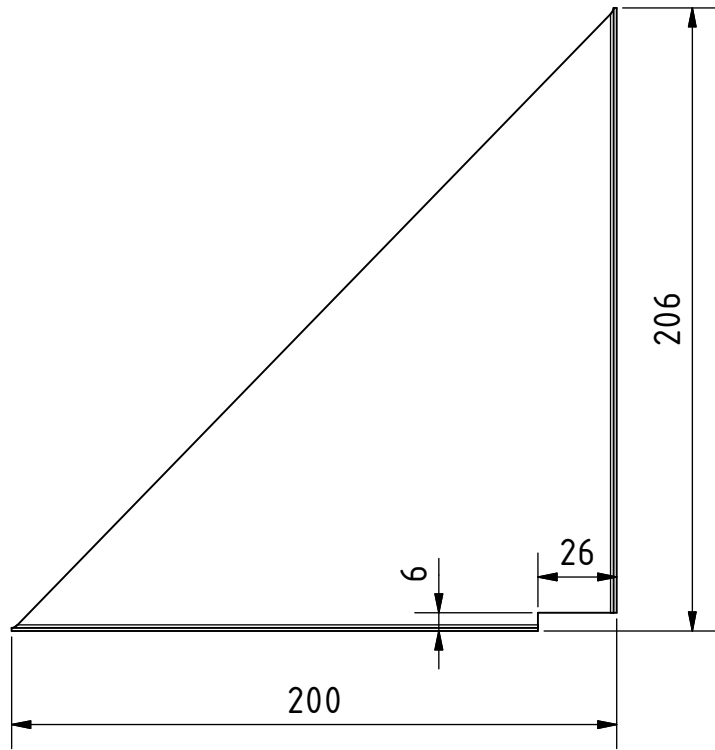
PROJECT	CREATED BY	APPROVED BY	DATE	VERSION	
Vertical Drum Hemp Harvester	A. Morillo	D. Jaeger	12-04-2024	0.05	
PART NAME	SPECIFICACIONES			CODE	
Part 2.20.4	Cast iron (*)			2.20.4	
DEVELOPED BY	REDESIGNED BY	FILENAME		QTY	
Hanfasser		2.20.4.ipt		2	
		LICENSE	DOC. TYPE	SCALE	SHEET
		CC-BY-SA 4.0	Part	2 : 5	111 /146

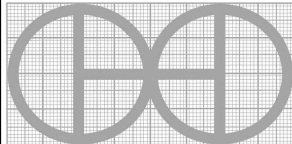
OHO e.V.

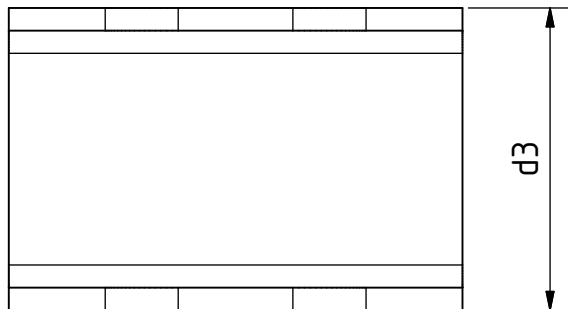
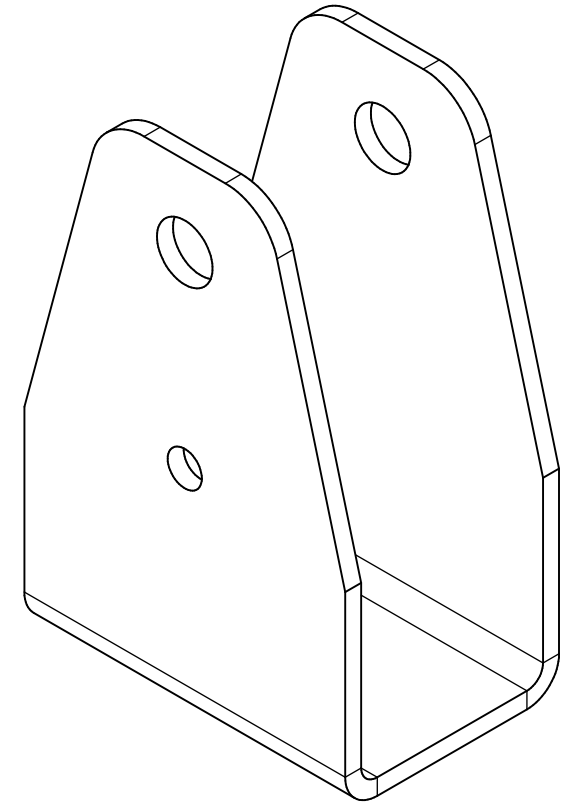
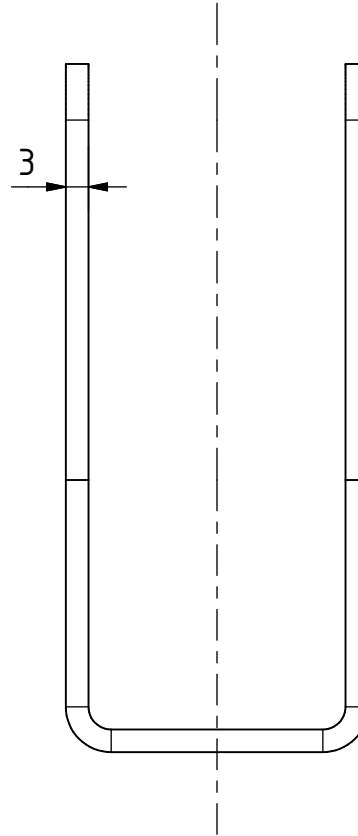
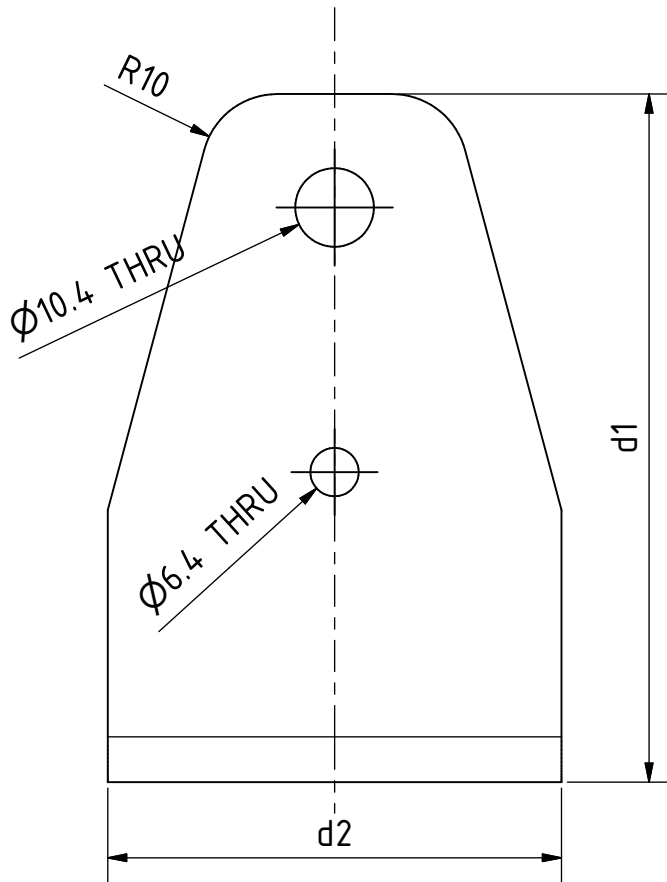


Ø15 THRU
x6

PROJECT		CREATED BY		APPROVED BY		DATE		VERSION		
Vertical Drum Hemp Harvester		A. Morillo		D. Jaeger		12-04-2024		0.05		
PART NAME		SPECIFICACIONES								CODE
Part 2.20.5		Steel 235J2								2.20.5
DEVELOPED BY		REDESIGNED BY		FILENAME				QTY		
Hanfasser				2.20.5.ipt				8		
		OHO e.V.		LICENSE		DOC. TYPE		SCALE		SHEET
				CC-BY-SA 4.0		Part		2 : 15		112 /146

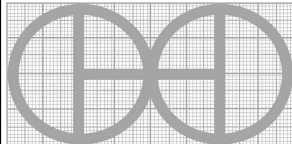


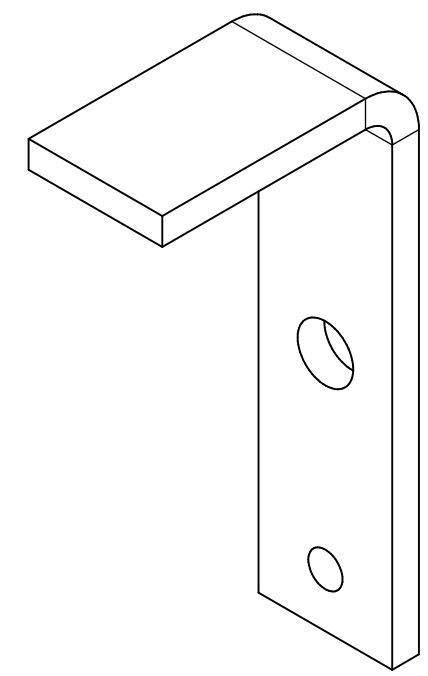
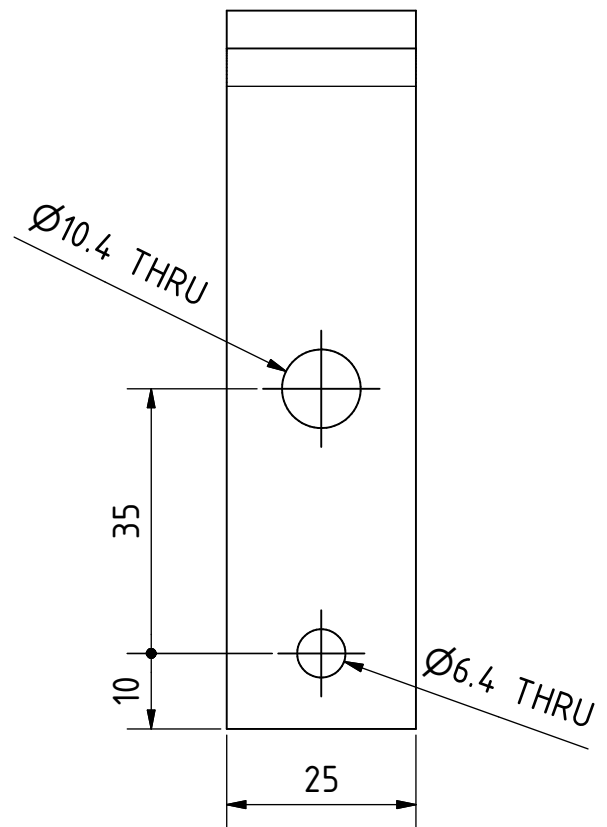
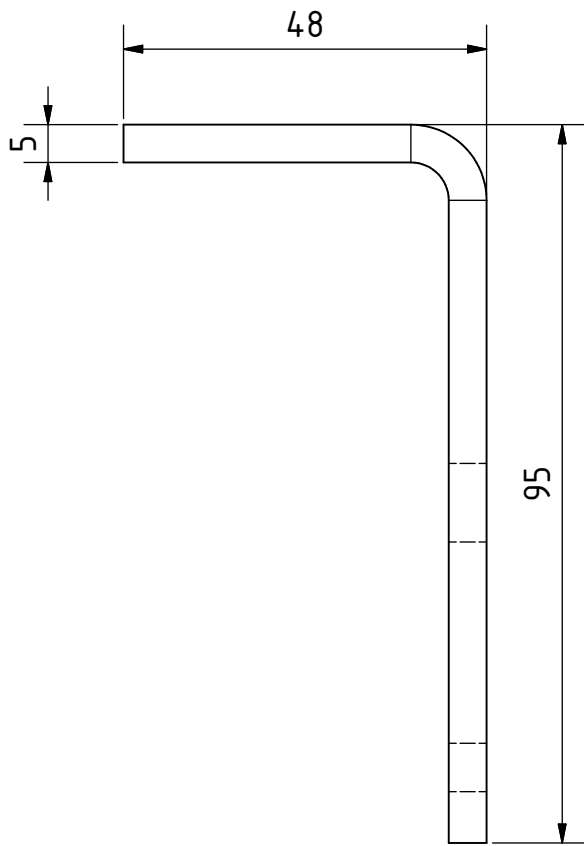
PROJECT	CREATED BY	APPROVED BY	DATE	VERSION	
Vertical Drum Hemp Harvester	A. Morillo	D. Jaeger	12-04-2024	0.05	
PART NAME	SPECIFICACIONES			CODE	
Part 2.20.6	Steel 235J2			2.20.6	
DEVELOPED BY	REDESIGNED BY	FILENAME		QTY	
Hanfasser		2.20.6.ipt		8	
		LICENSE	DOC. TYPE	SCALE	SHEET
		CC-BY-SA 4.0	Part	2 : 5	113 /146

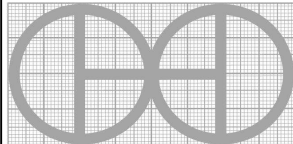


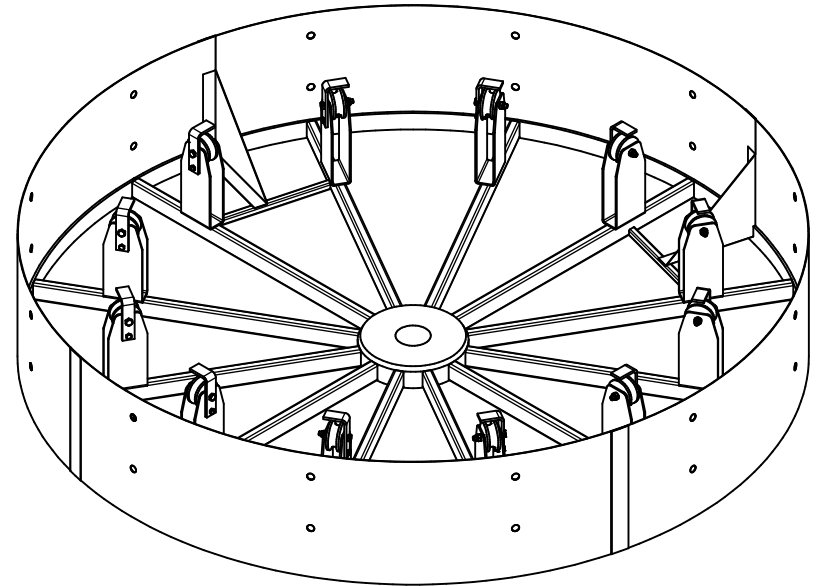
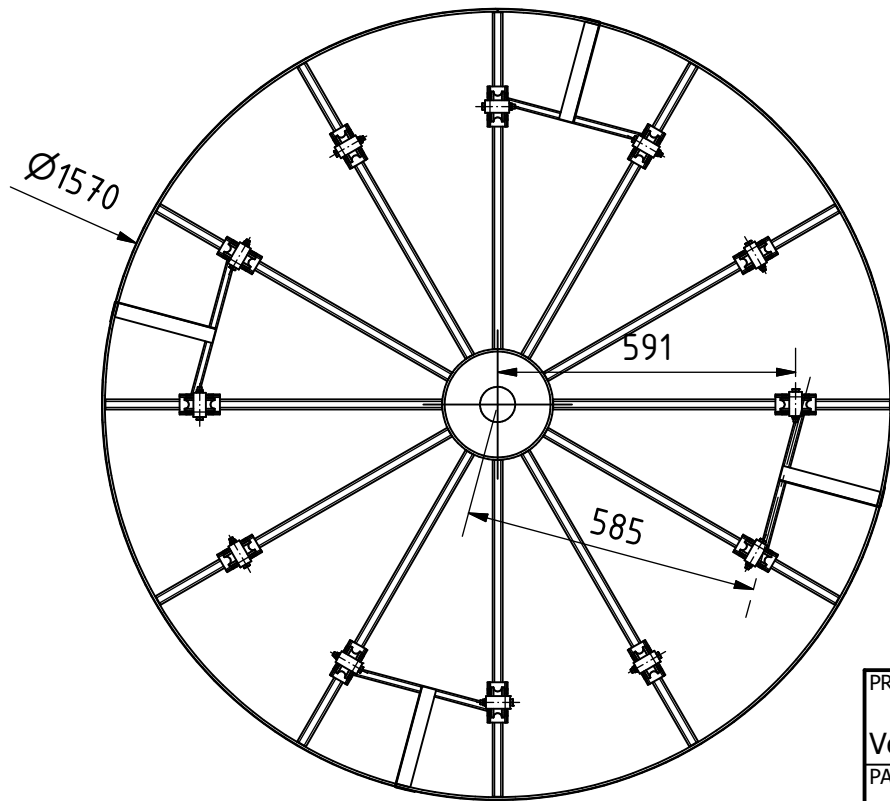
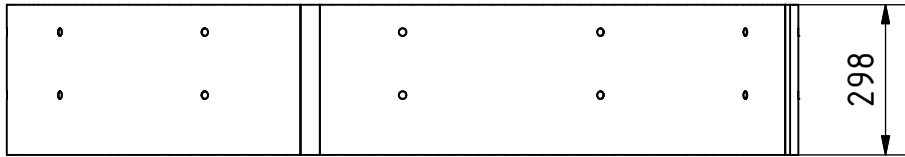
Size table			
Pos	d1	d2	d3
2.20.8_A (right)	91 mm	60 mm	40 mm
2.20.8_B (left)	97 mm	50mm	40 mm

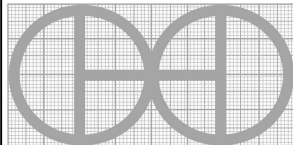
This item was adjusted to avoid interference problems

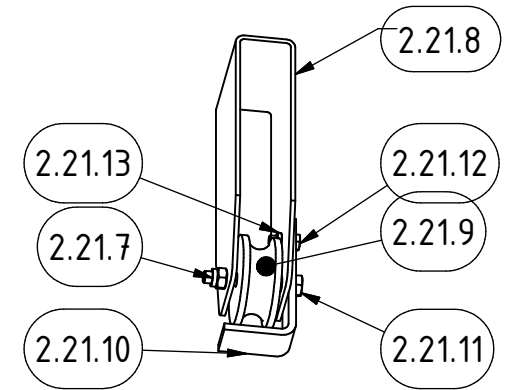
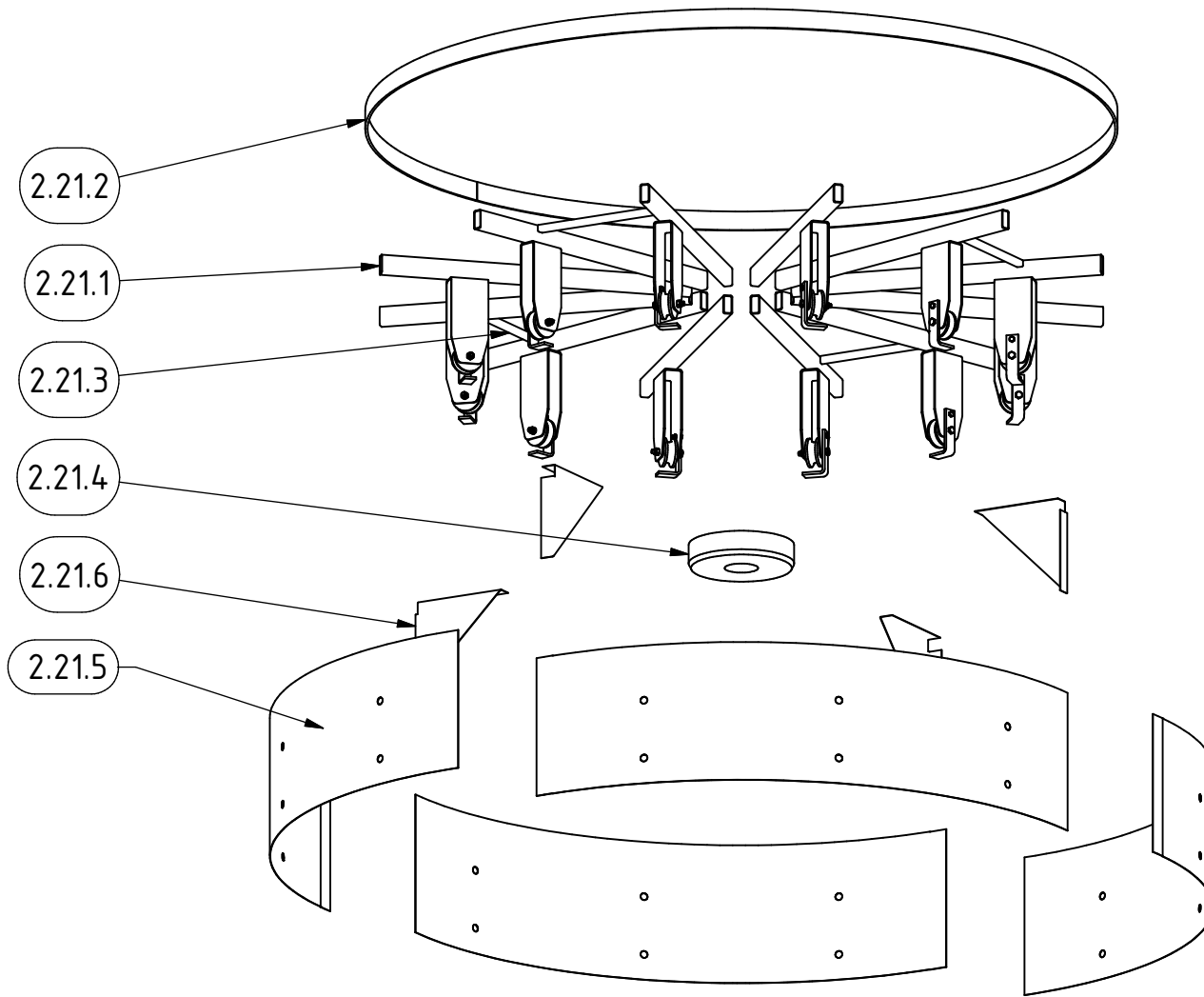
PROJECT	CREATED BY	APPROVED BY	DATE	VERSION	
Vertical Drum Hemp Harvester	A. Morillo	D. Jaeger	12-04-2024	0.05	
PART NAME	SPECIFICACIONES			CODE	
Part 2.20.8	Steel 235J2			2.20.8	
DEVELOPED BY	REDESIGNED BY	FILENAME		QTY	
Hanfasser		2.20.8.ipt		24	
		LICENSE	DOC. TYPE	SCALE	SHEET
		CC-BY-SA 4.0	Part	1 : 1	114 /146

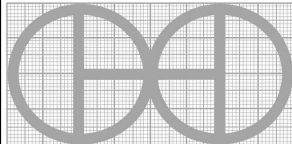


PROJECT	CREATED BY	APPROVED BY	DATE	VERSION	
Vertical Drum Hemp Harvester	A. Morillo	D. Jaeger	12-04-2024	0.05	
PART NAME	SPECIFICACIONES			CODE	
Part 2.20.10	Steel 235J2			2.20.10	
DEVELOPED BY	REDESIGNED BY	FILENAME		QTY	
Hanfasser		2.20.10.ipt		24	
		LICENSE	DOC. TYPE	SCALE	SHEET
		CC-BY-SA 4.0	Part	1 : 1	115 /146

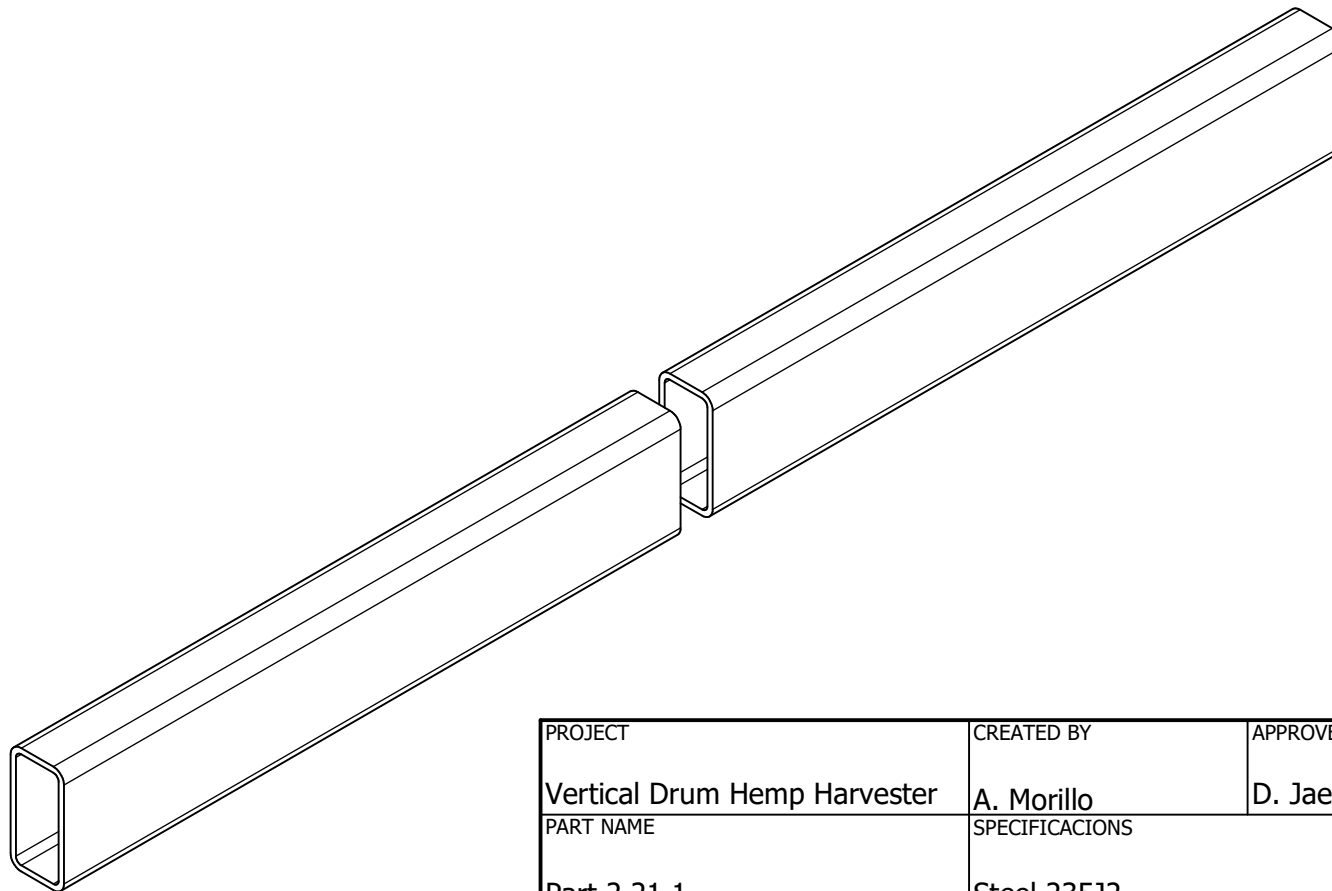
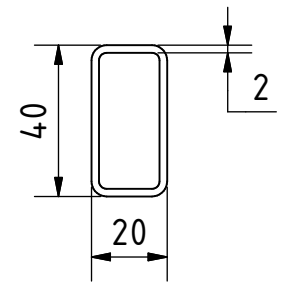
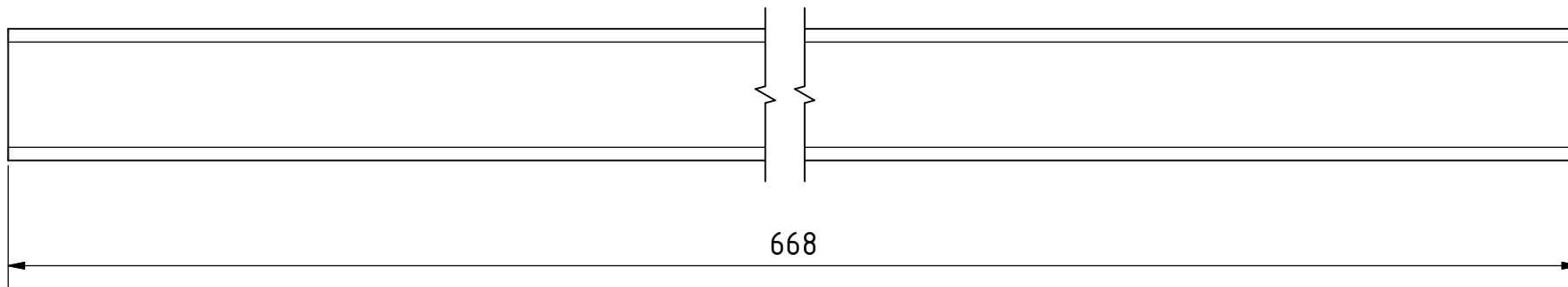


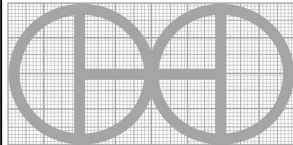
PROJECT	CREATED BY	APPROVED BY	DATE	VERSION
Vertical Drum Hemp Harvester	A. Morillo	D. Jaeger	12-04-2024	0.05
PART NAME	SPECIFICACIONES			CODE
Feed drum_top cpl				2.21.0
DEVELOPED BY	REDESIGNED BY	FILENAME	QTY	
		2.21.iam	2	
		LICENSE	DOC. TYPE	SCALE
Hanfasser		CC-BY-SA 4.0	Assembly	1 : 15
				SHEET
				116 /146



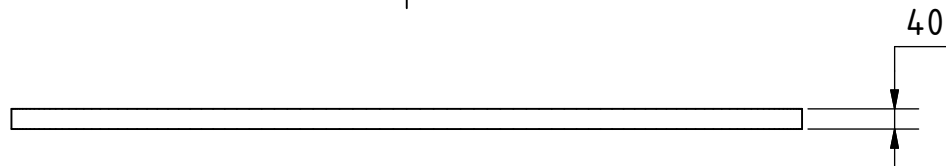
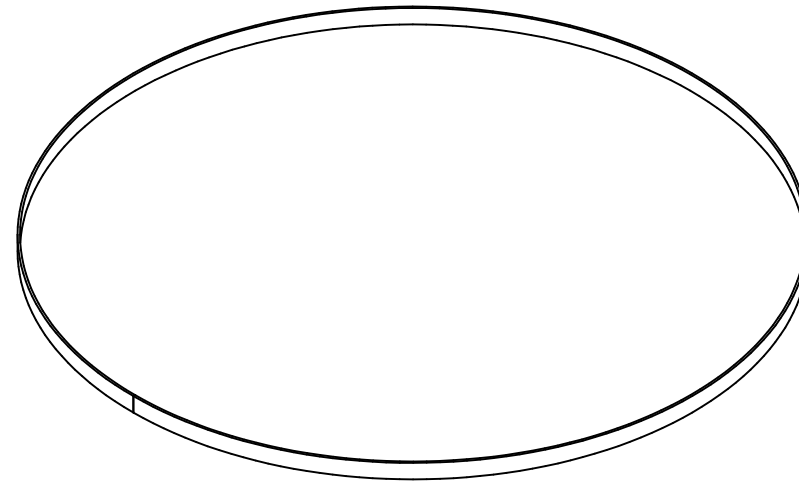
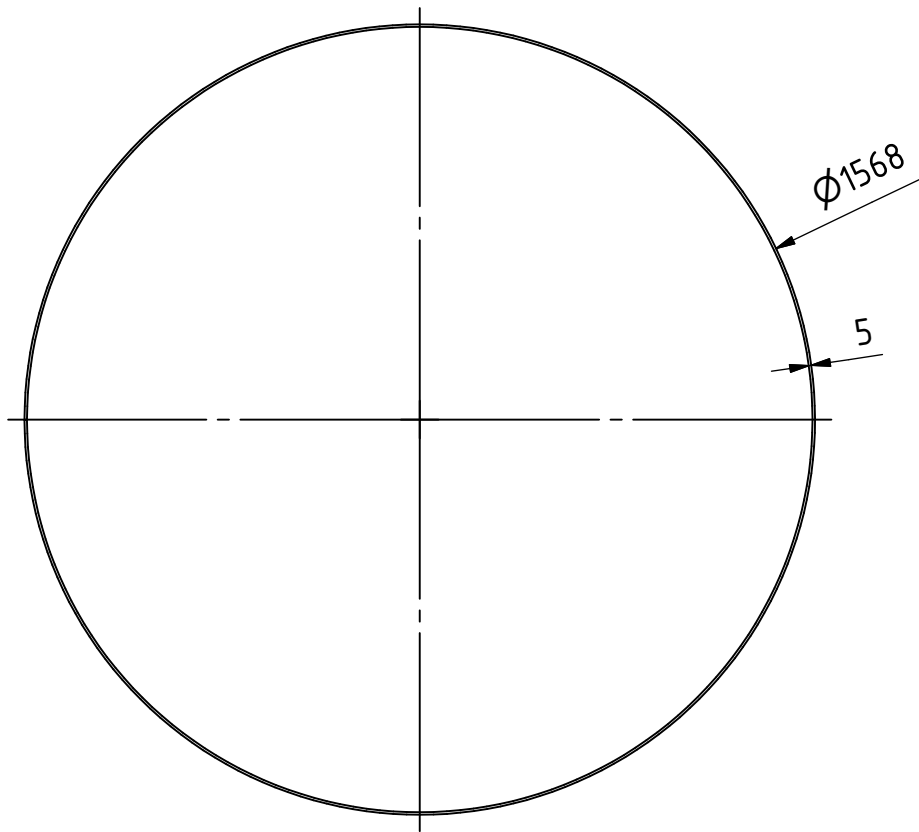
PROJECT	CREATED BY	APPROVED BY	DATE	VERSION
Vertical Drum Hemp Harvester	A. Morillo	D. Jaeger	12-04-2024	0.05
PART NAME	SPECIFICACIONES			CODE
Feed drum_top cpl				2.21.0
DEVELOPED BY	REDESIGNED BY	FILENAME		QTY
		2.21.ipn		2
Hanfasser		LICENSE	DOC. TYPE	SCALE
		CC-BY-SA 4.0	Assembly	1 : 15
				SHEET
				117 /146

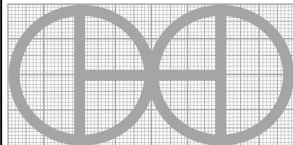
OHO e.V.



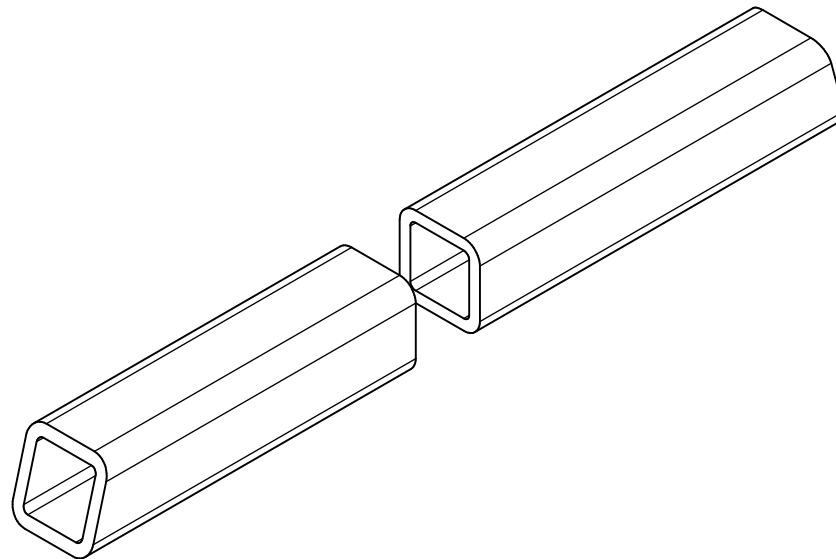
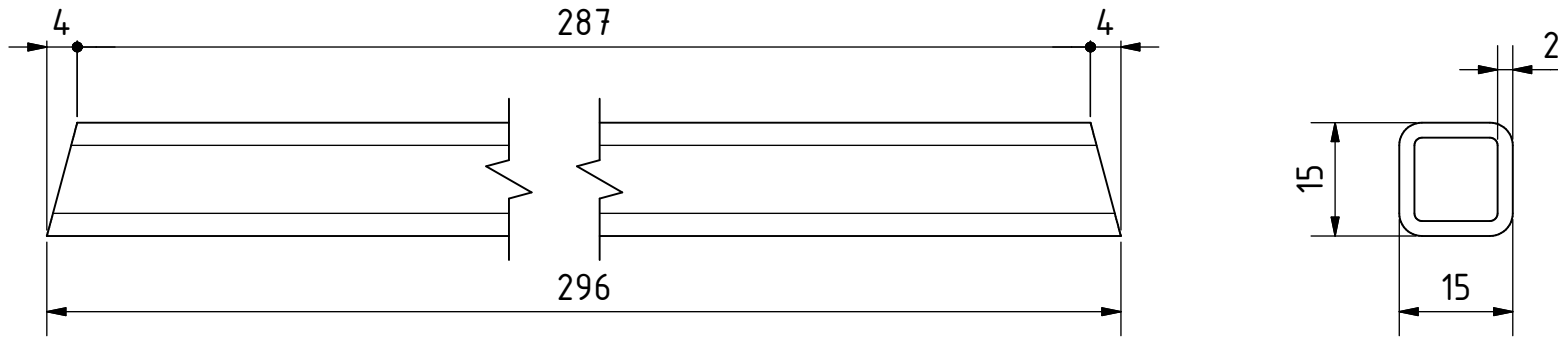
PROJECT	CREATED BY	APPROVED BY	DATE	VERSION	
Vertical Drum Hemp Harvester	A. Morillo	D. Jaeger	12-04-2024	0.05	
PART NAME	SPECIFICACIONES			CODE	
Part 2.21.1	Steel 235J2			2.21.1	
DEVELOPED BY	REDESIGNED BY	FILENAME		QTY	
Hanfasser		2.21.1.ipt		24	
		LICENSE	DOC. TYPE	SCALE	SHEET
		CC-BY-SA 4.0	Part	1 : 2	118 /146

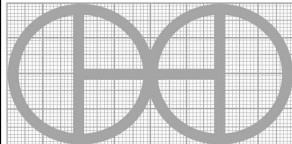
OHO e.V.

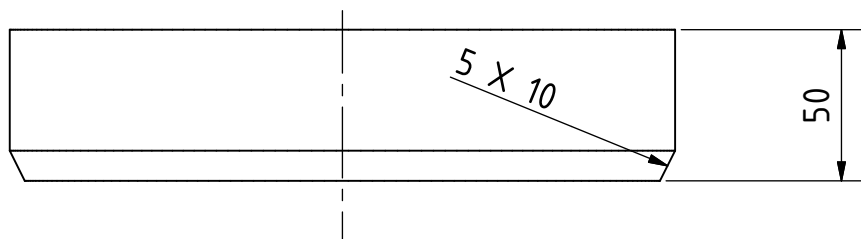
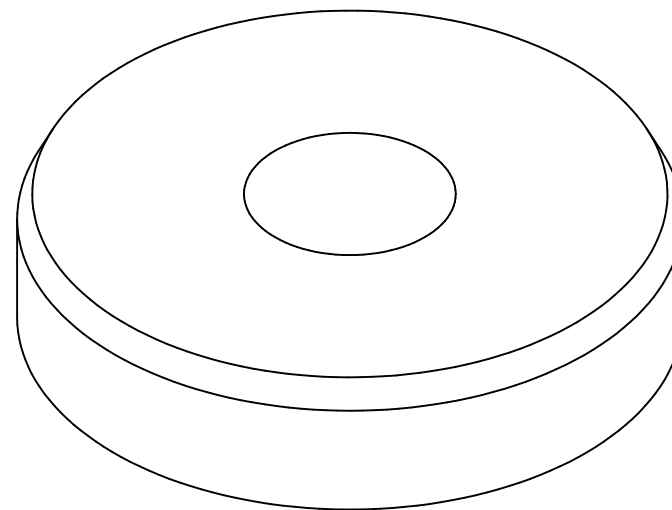
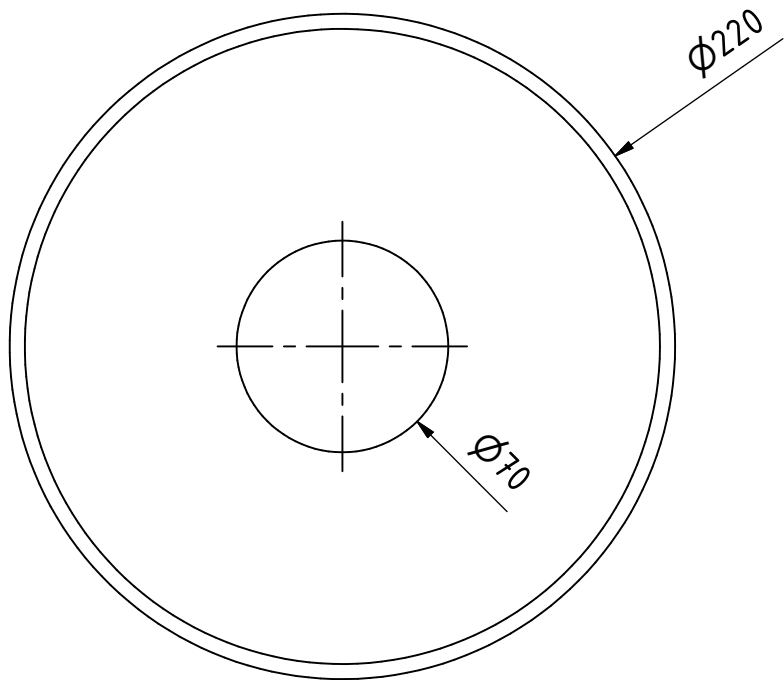


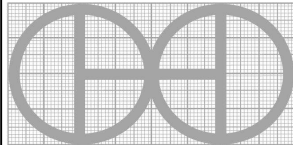
PROJECT	CREATED BY	APPROVED BY	DATE	VERSION	
Vertical Drum Hemp Harvester	A. Morillo	D. Jaeger	12-04-2024	0.05	
PART NAME	SPECIFICACIONES			CODE	
Part 2.21.2	Steel 235J2			2.21.2	
DEVELOPED BY	REDESIGNED BY	FILENAME		QTY	
Hanfasser		2.21.2.ipt		2	
		LICENSE	DOC. TYPE	SCALE	SHEET
		CC-BY-SA 4.0	Part	1 : 15	119 /146

OHO e.V.

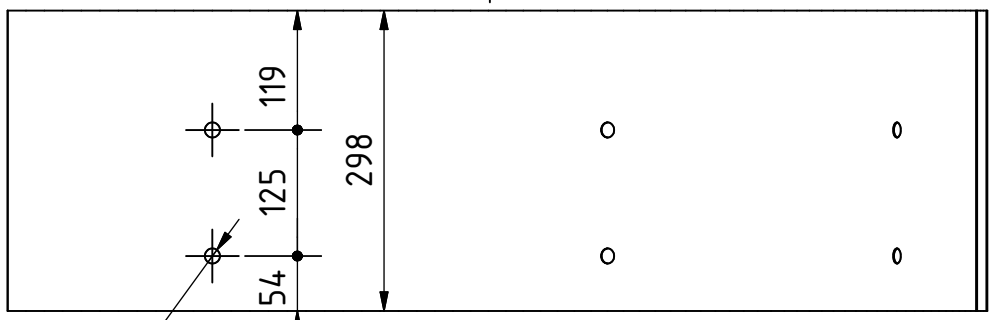
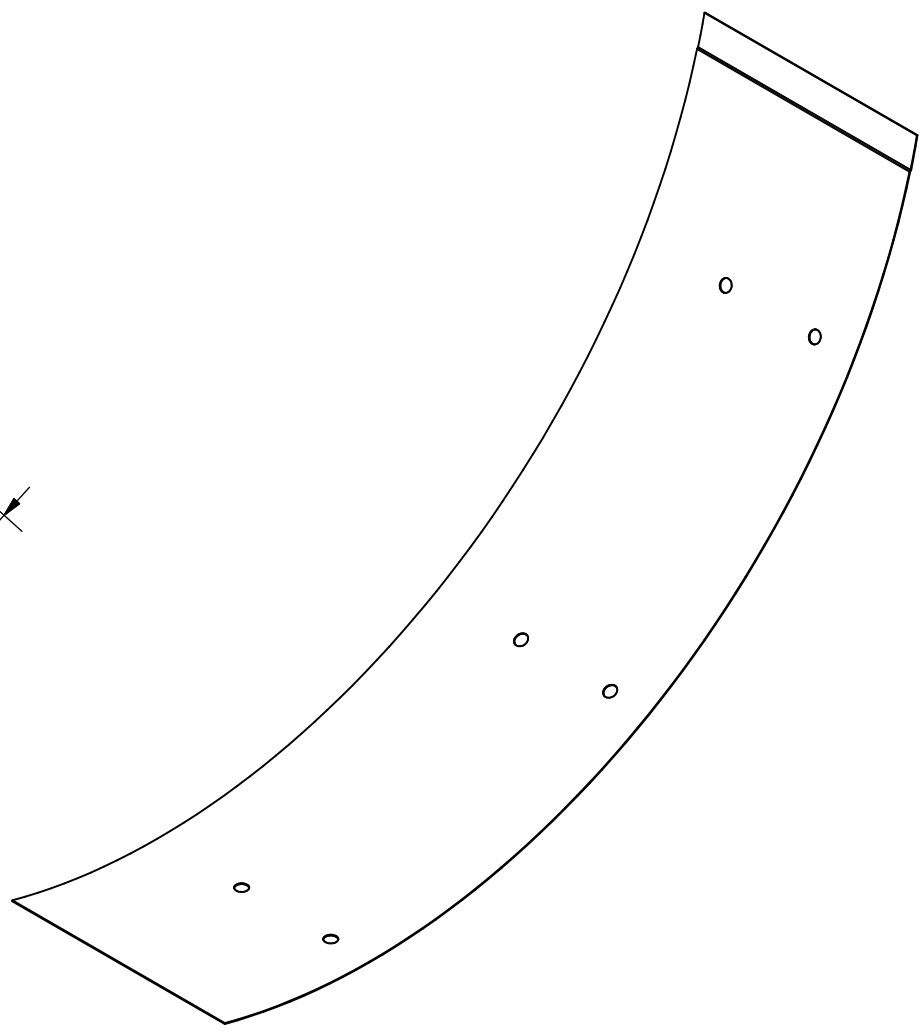
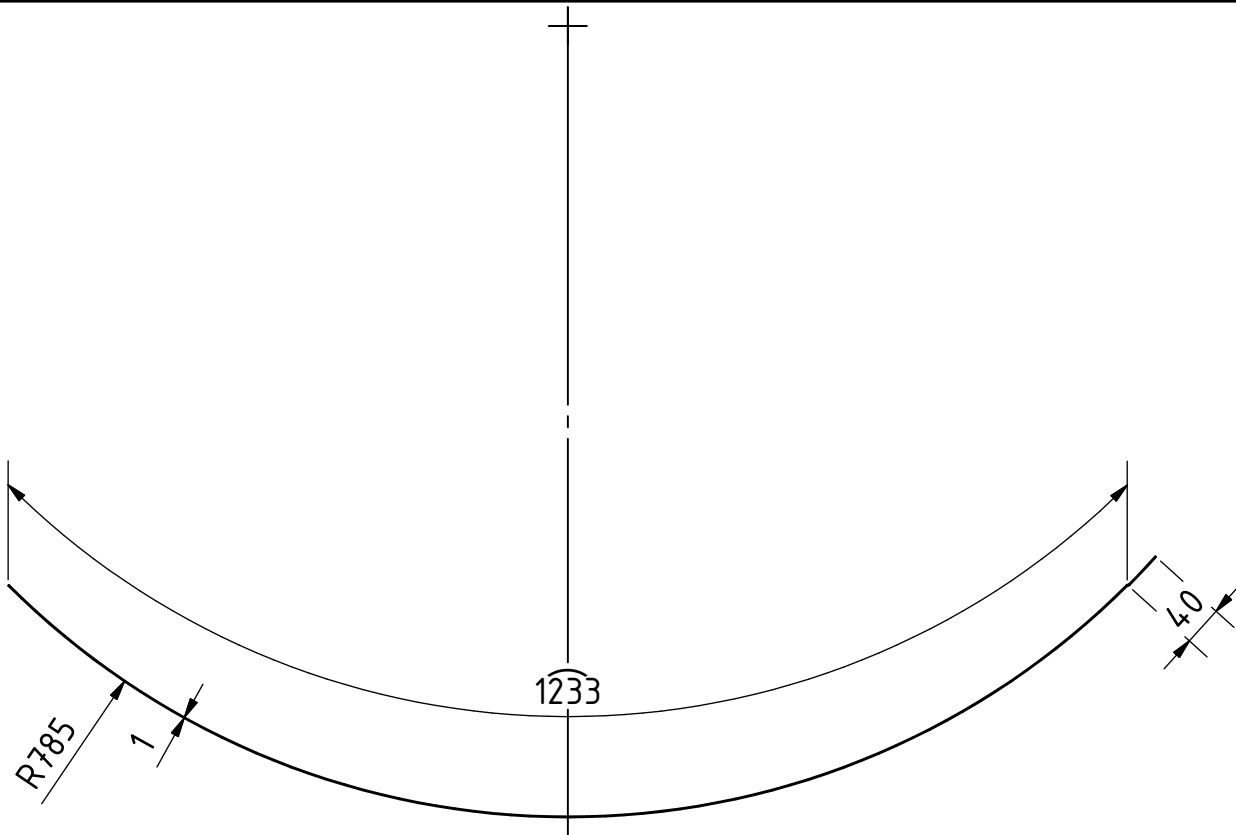


PROJECT	CREATED BY	APPROVED BY	DATE	VERSION	
Vertical Drum Hemp Harvester	A. Morillo	D. Jaeger	12-04-2024	0.05	
PART NAME	SPECIFICACIONES			CODE	
Part 2.21.3	Steel 235J2			2.21.3	
DEVELOPED BY	REDESIGNED BY	FILENAME		QTY	
Hanfasser		2.21.3.ipt		8	
		LICENSE	DOC. TYPE	SCALE	SHEET
		CC-BY-SA 4.0	Part	1 : 1	120 /146

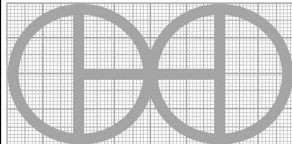


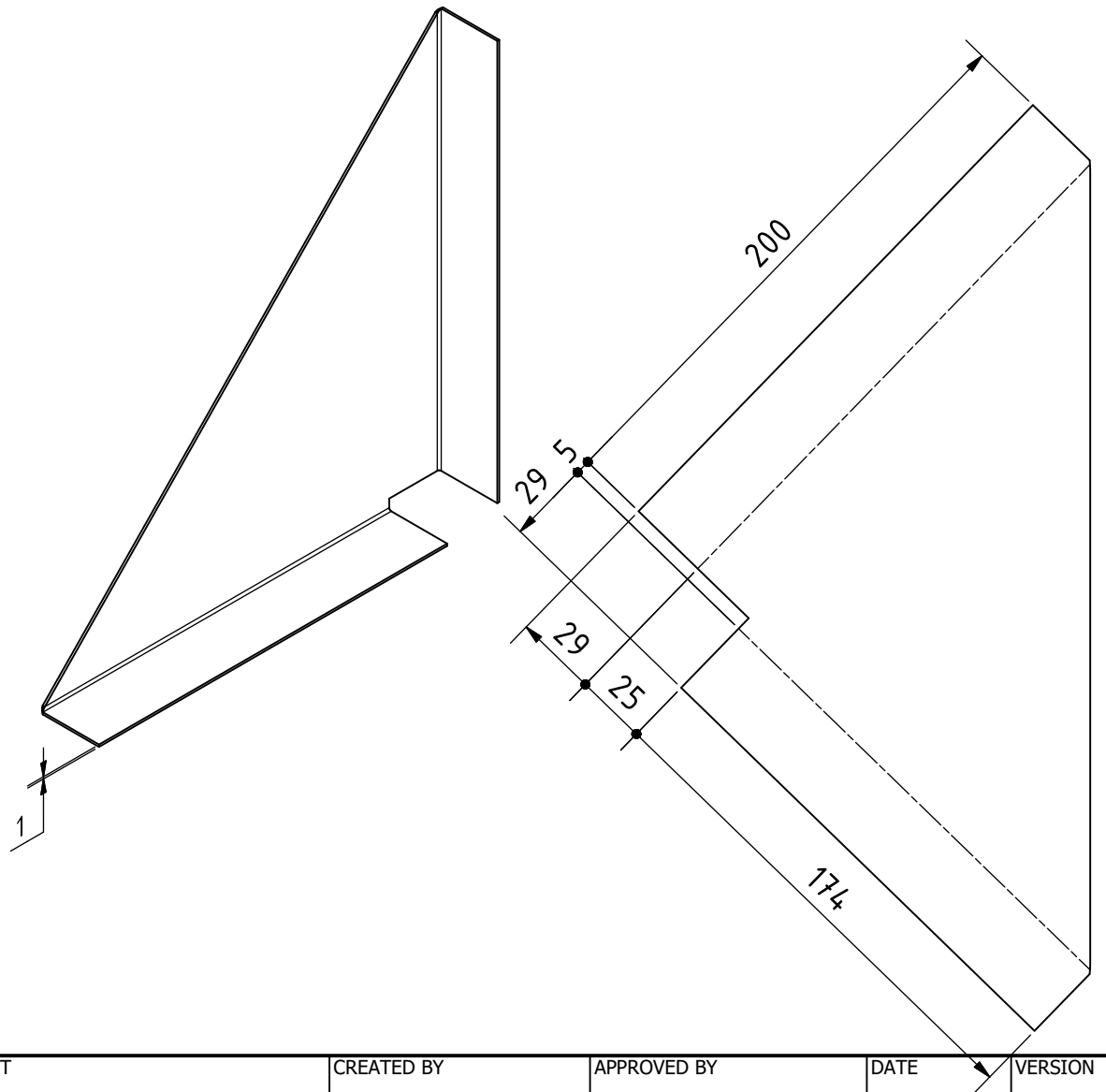
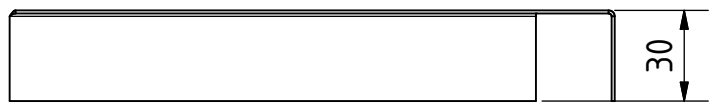
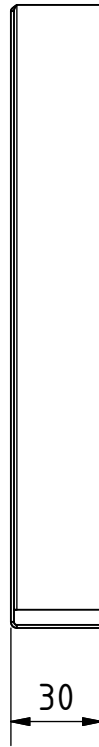
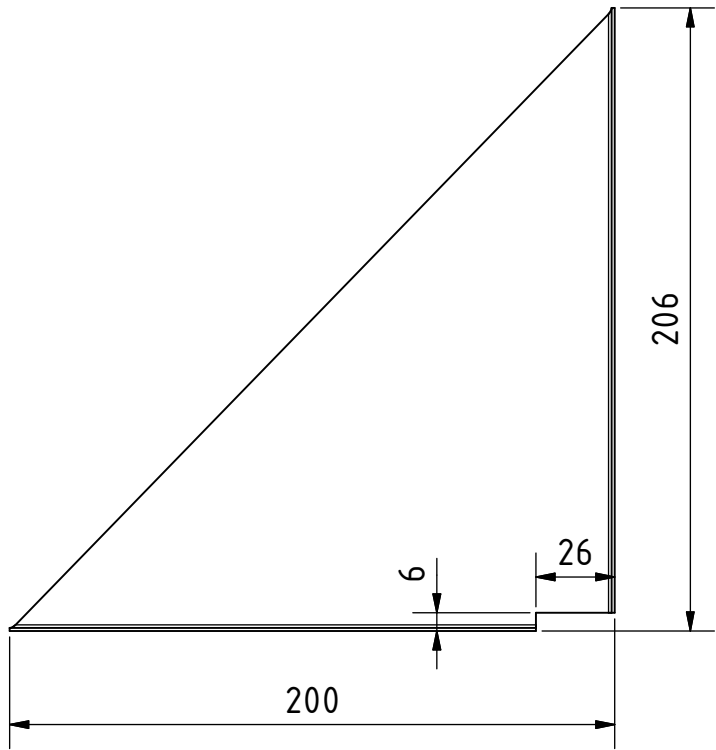
PROJECT	CREATED BY	APPROVED BY	DATE	VERSION	
Vertical Drum Hemp Harvester	A. Morillo	D. Jaeger	12-04-2024	0.05	
PART NAME	SPECIFICACIONES			CODE	
Part 2.21.4	Cast Iron (*)			2.21.4	
DEVELOPED BY	REDESIGNED BY	FILENAME		QTY	
Hanfasser		2.21.4.ipt		2	
		LICENSE	DOC. TYPE	SCALE	SHEET
		CC-BY-SA 4.0	Part	2 : 5	121 /146

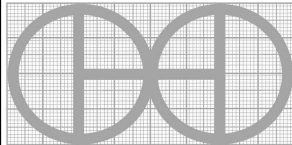
OHO e.V.

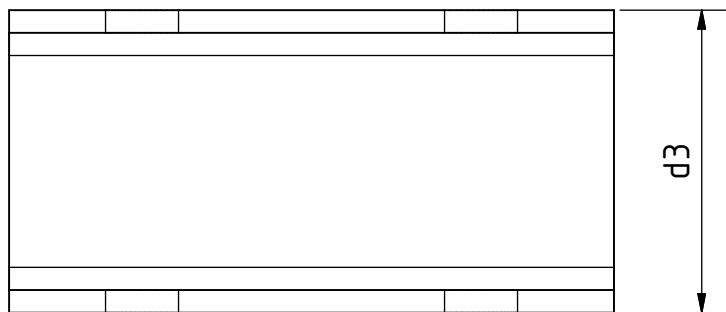
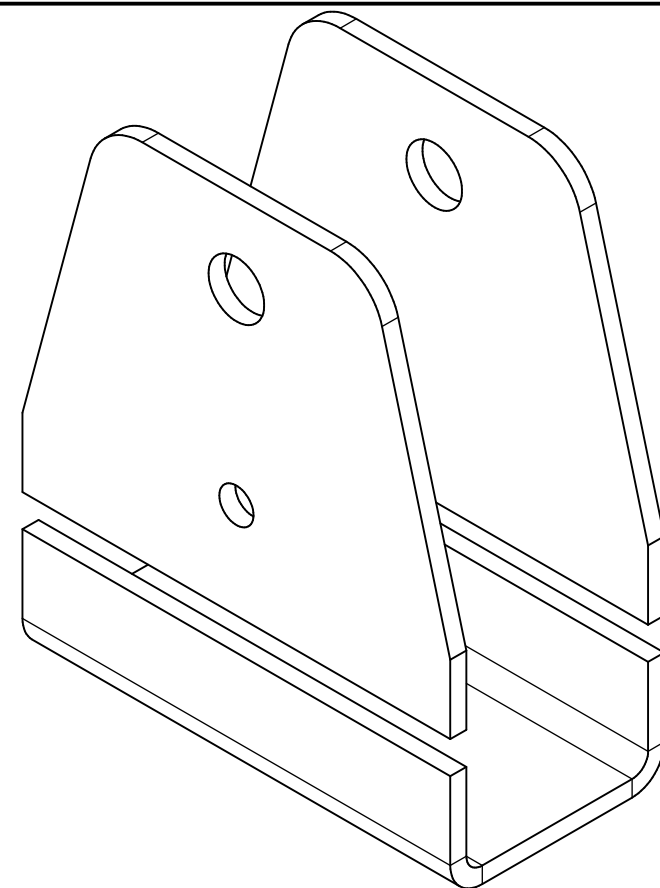
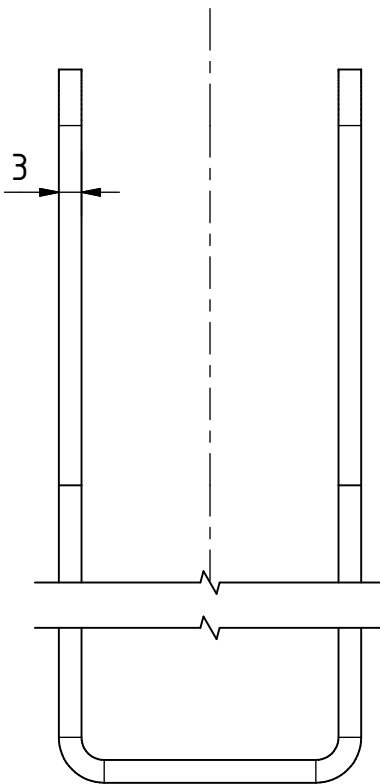
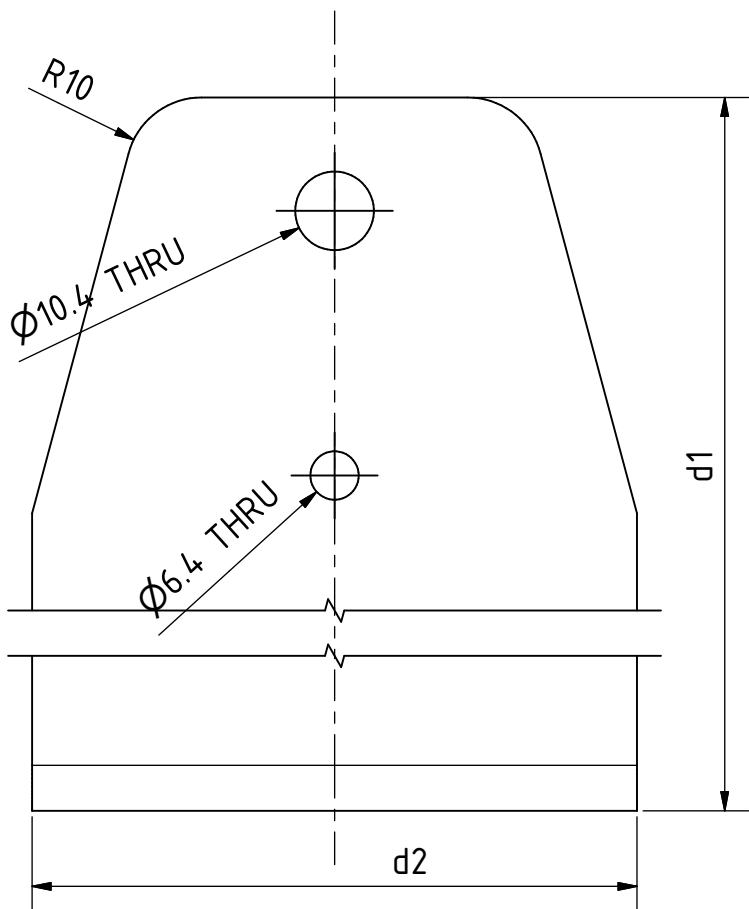


Ø15 THRU
x6

PROJECT		CREATED BY		APPROVED BY		DATE		VERSION		
Vertical Drum Hemp Harvester		A. Morillo		D. Jaeger		12-04-2024		0.05		
PART NAME		SPECIFICACIONES								CODE
Part 2.21.5		Steel 235J2								2.21.5
DEVELOPED BY		REDESIGNED BY		FILENAME				QTY		
Hanfasser				2.21.5.ipt				8		
		OHO e.V.		LICENSE		DOC. TYPE		SCALE		SHEET
				CC-BY-SA 4.0		Part		2 : 15		122 /146

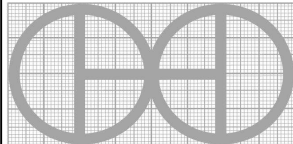


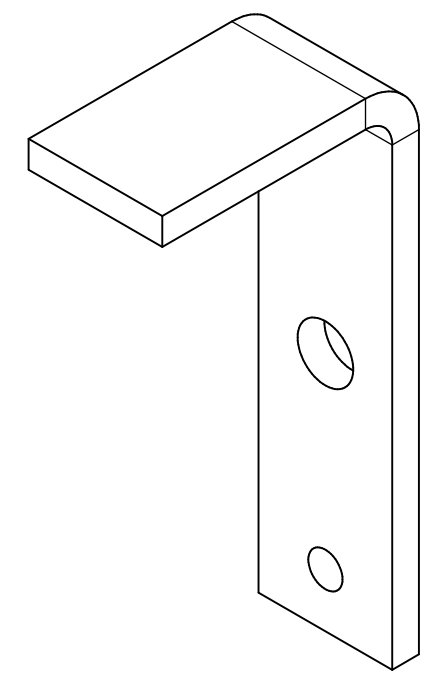
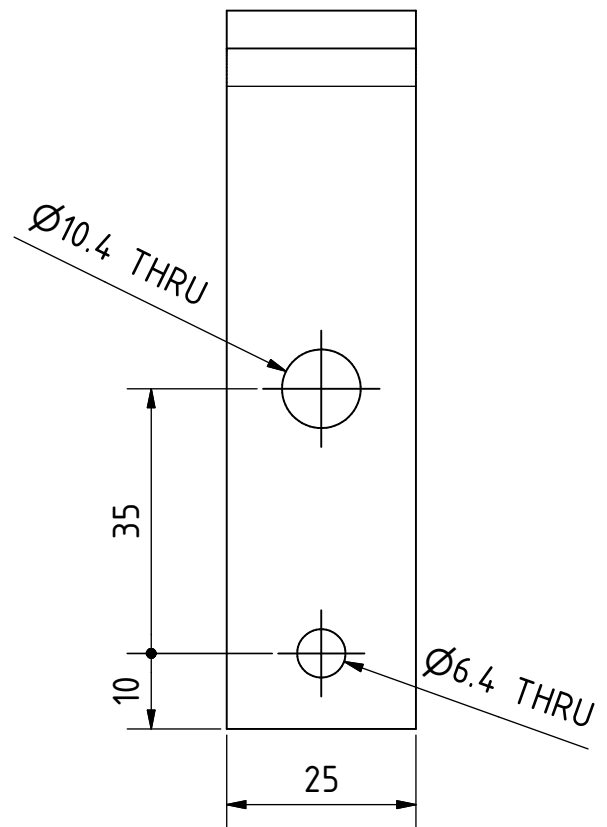
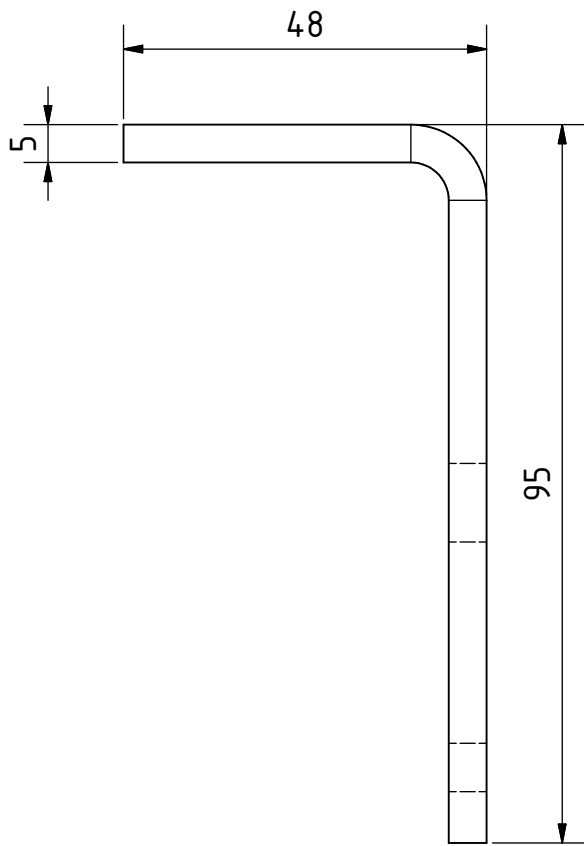
PROJECT	CREATED BY	APPROVED BY	DATE	VERSION
Vertical Drum Hemp Harvester	A. Morillo	D. Jaeger	12-04-2024	0.05
PART NAME	SPECIFICACIONES			CODE
Part 2.21.6	Steel 235J2			2.21.6
DEVELOPED BY	REDESIGNED BY	FILENAME	QTY	
		2.21.6.ipt	8	
Hanfasser		LICENSE	DOC. TYPE	SCALE
		CC-BY-SA 4.0	Part	2 : 5
				SHEET
				123 /146

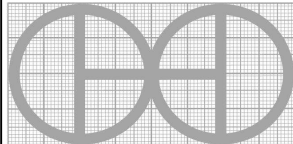


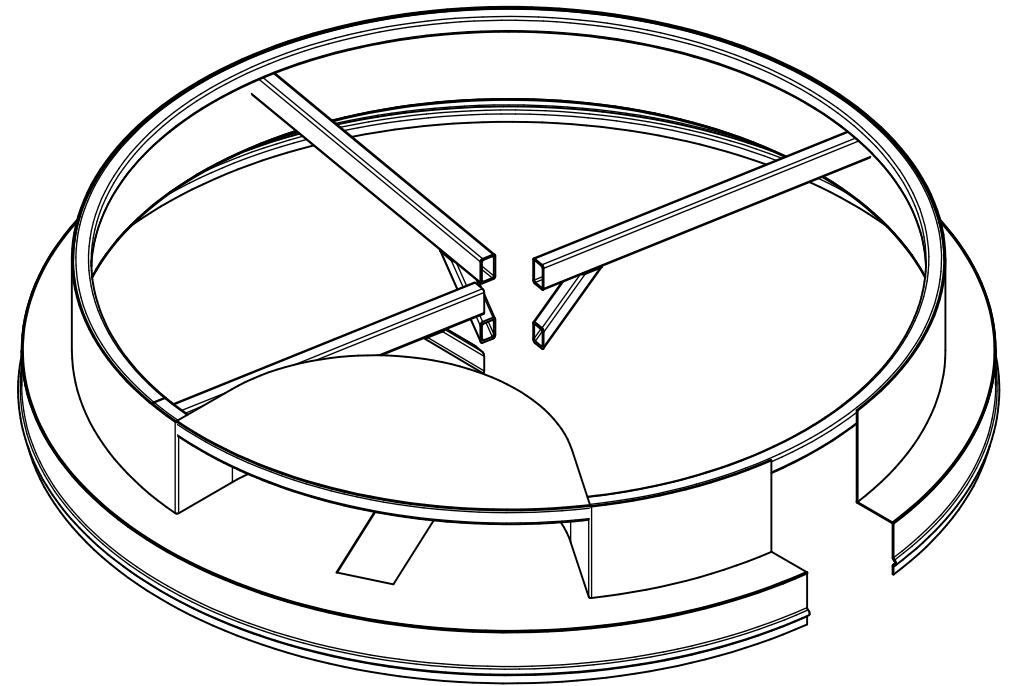
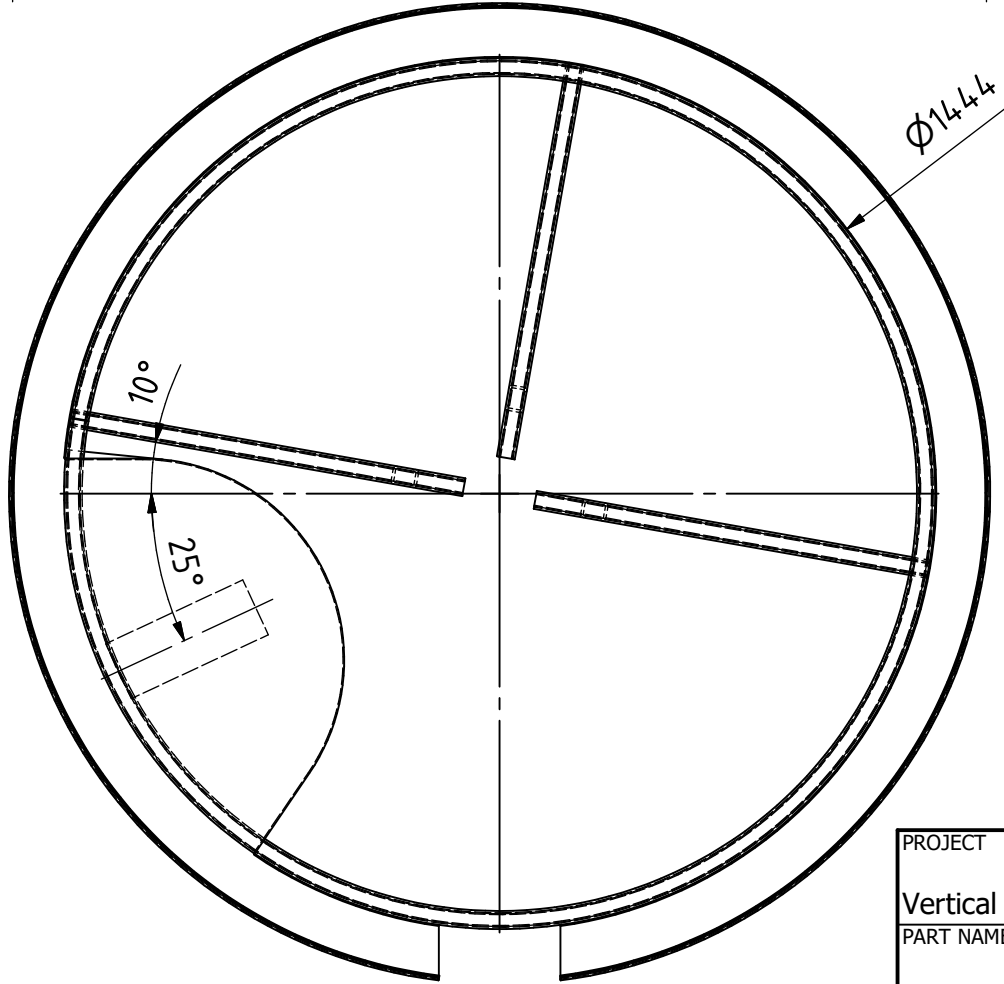
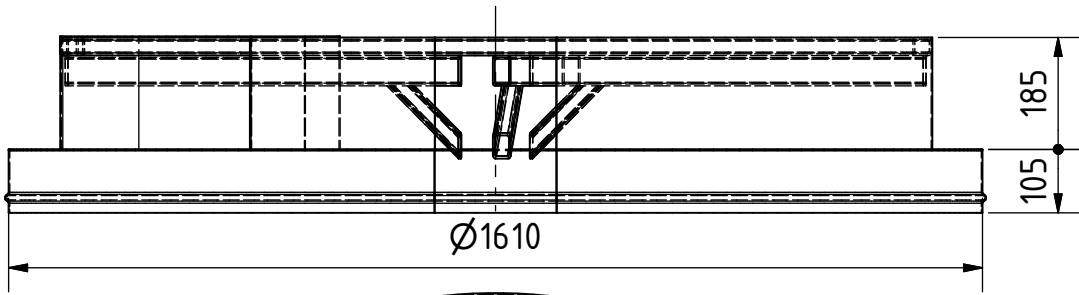
Size table			
Pos	d1	d2	d3
2.21.8_A (right)	185 mm	80 mm	40 mm
2.21.8_B (left)	190 mm	80 mm	40 mm

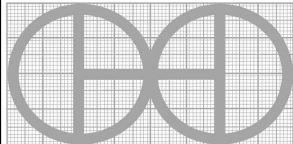
This item was adjusted to avoid interference problems

PROJECT	CREATED BY	APPROVED BY	DATE	VERSION
Vertical Drum Hemp Harvester	A. Morillo	D. Jaeger	12-04-2024	0.05
PART NAME	SPECIFICACIONES			CODE
Part 2.21.8	Steel 235J2			2.21.8
DEVELOPED BY	REDESIGNED BY	FILENAME		QTY
		2.21.8.ipt		24
		LICENSE	DOC. TYPE	SHEET
Hanfasser		CC-BY-SA 4.0	Part	124 /146
		OHO e.V.	SCALE	
			1 : 1	

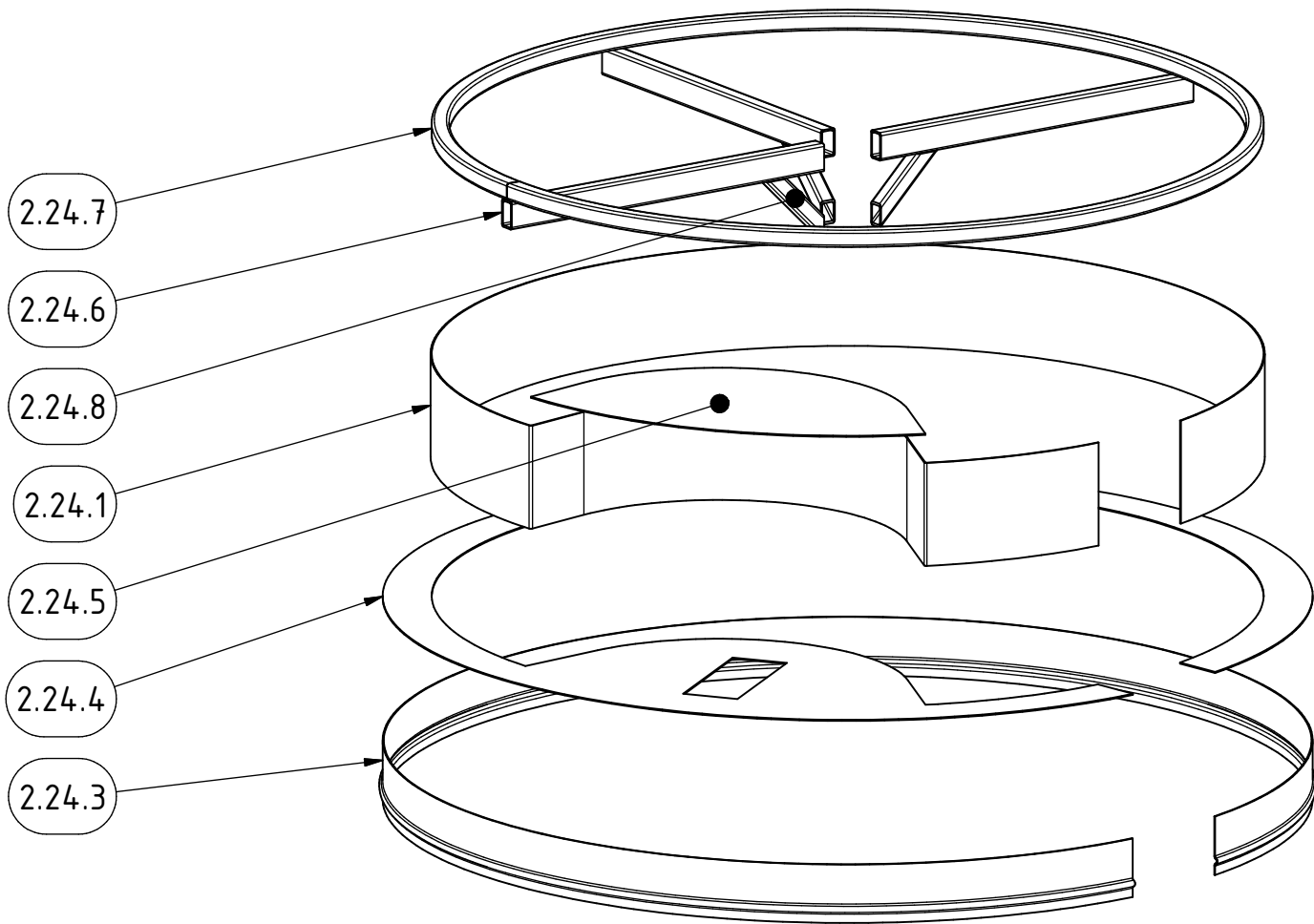


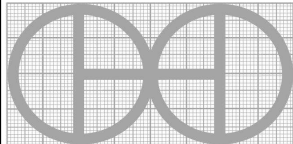
PROJECT	CREATED BY	APPROVED BY	DATE	VERSION
Vertical Drum Hemp Harvester	A. Morillo	D. Jaeger	12-04-2024	0.05
PART NAME	SPECIFICACIONES			CODE
Part 2.21.10	Steel 235J2			2.21.10
DEVELOPED BY	REDESIGNED BY	FILENAME		QTY
		2.21.10.ipt		24
Hanfasser		LICENSE	DOC. TYPE	SCALE
		CC-BY-SA 4.0	Part	1 : 1
				SHEET
				125 /146



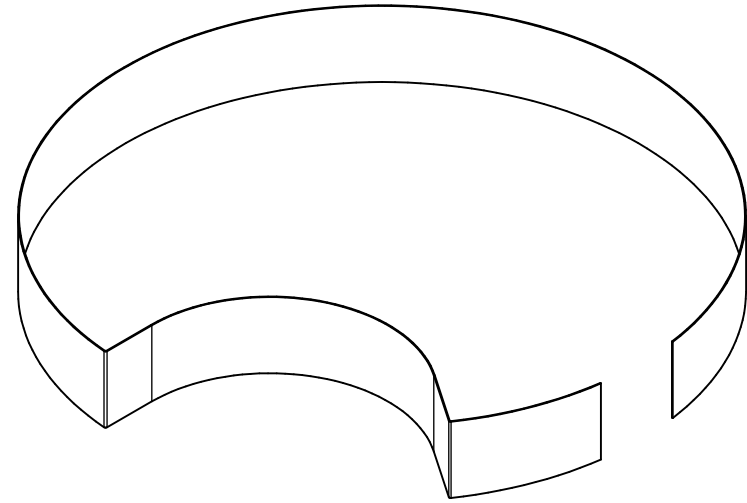
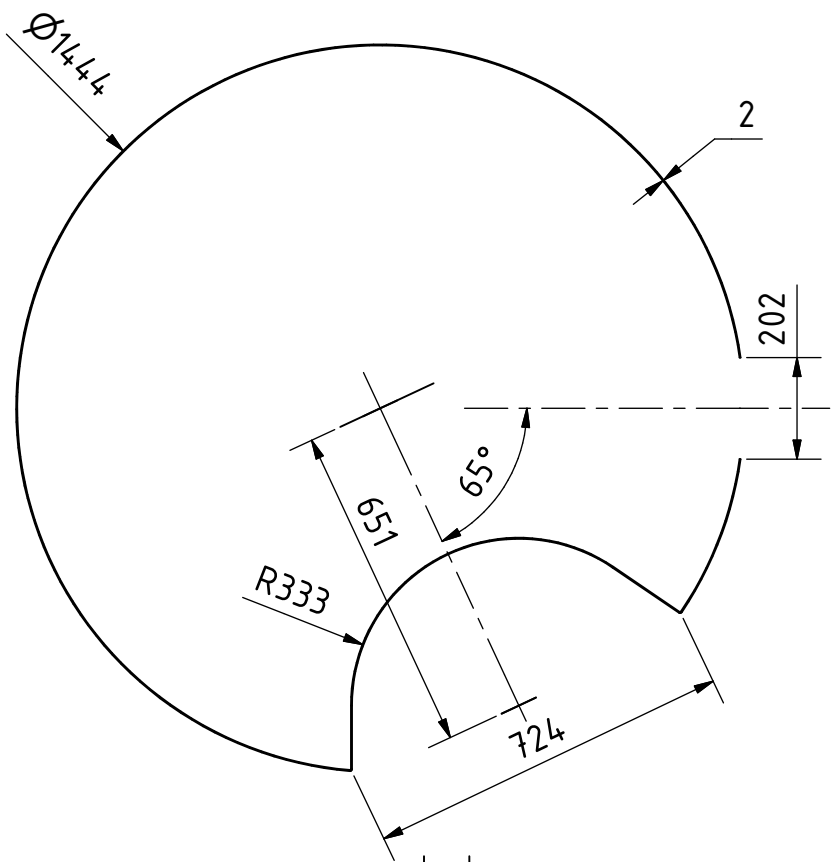
PROJECT	CREATED BY	APPROVED BY	DATE	VERSION
Vertical Drum Hemp Harvester	A. Morillo	D. Jaeger	12-04-2024	0.05
PART NAME	SPECIFICACIONES			CODE
Feeding drums 2				2.24.0
DEVELOPED BY	REDESIGNED BY	FILENAME		QTY
		2.24.iam		2
Hanfasser		LICENSE	DOC. TYPE	SCALE
		CC-BY-SA 4.0	Assembly	2 : 25
				SHEET
				126 /146

OHO e.V.

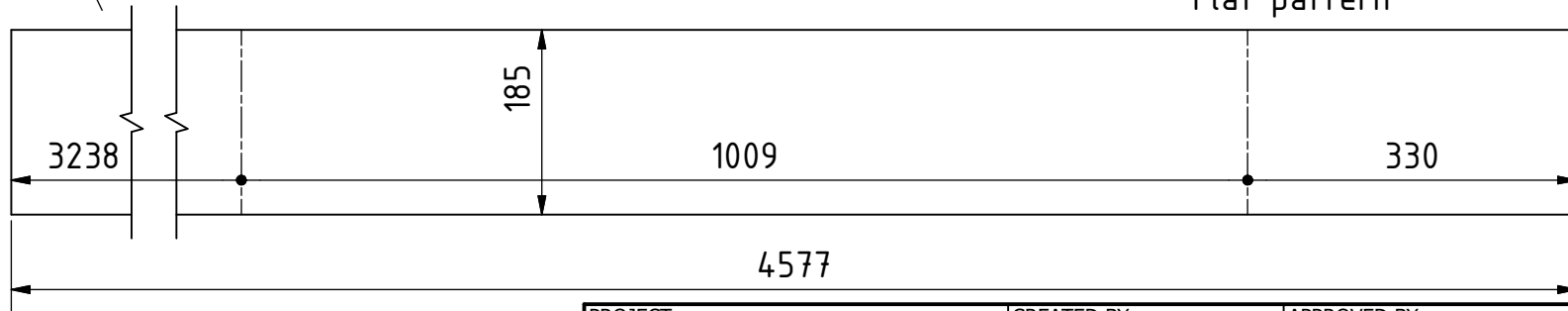


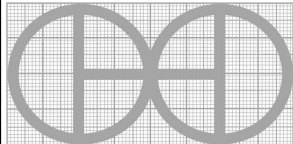
PROJECT	CREATED BY	APPROVED BY	DATE	VERSION
Vertical Drum Hemp Harvester	A. Morillo	D. Jaeger	12-04-2024	0.05
PART NAME	SPECIFICACIONES			CODE
Feeding drums 2				2.24.0
DEVELOPED BY	REDESIGNED BY	FILENAME		QTY
		2.24.ipn		2
Hanfasser		LICENSE	DOC. TYPE	SCALE
		CC-BY-SA 4.0	Assembly	2 : 25
				SHEET
				127 /146

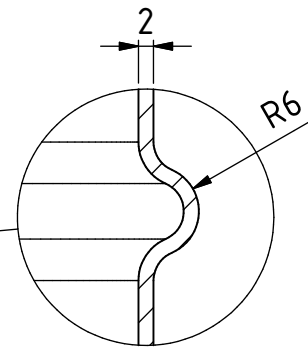
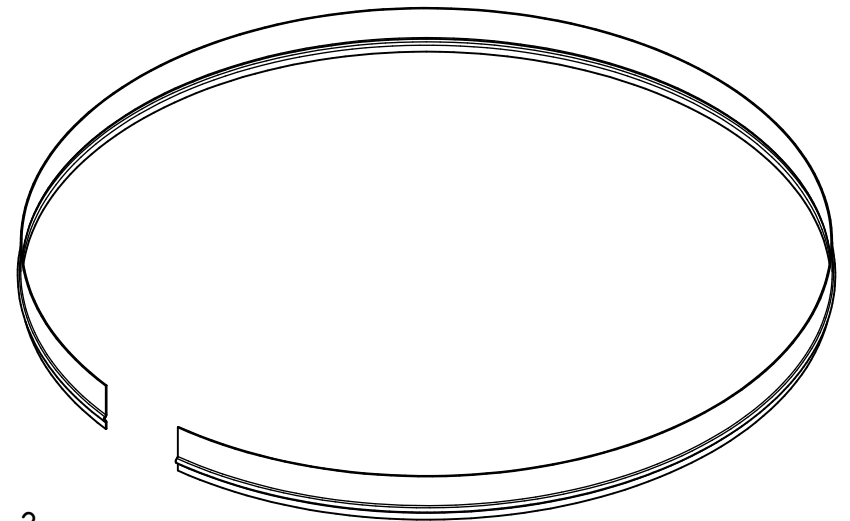
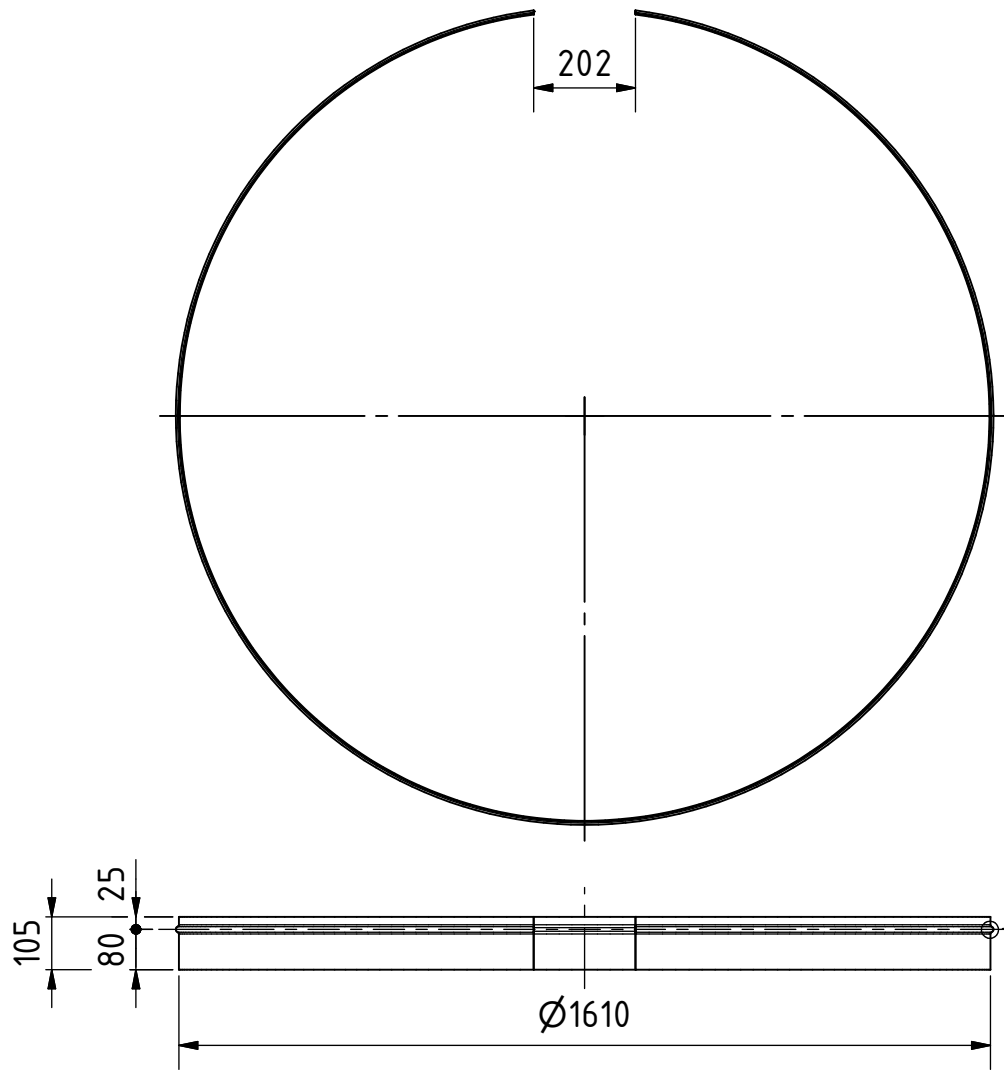
OHO e.V.

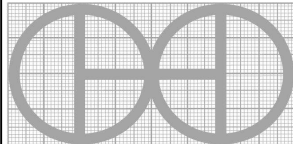


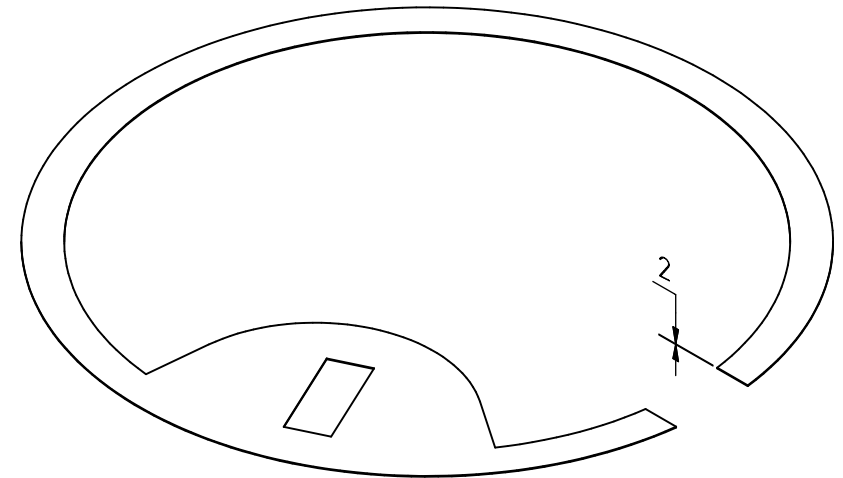
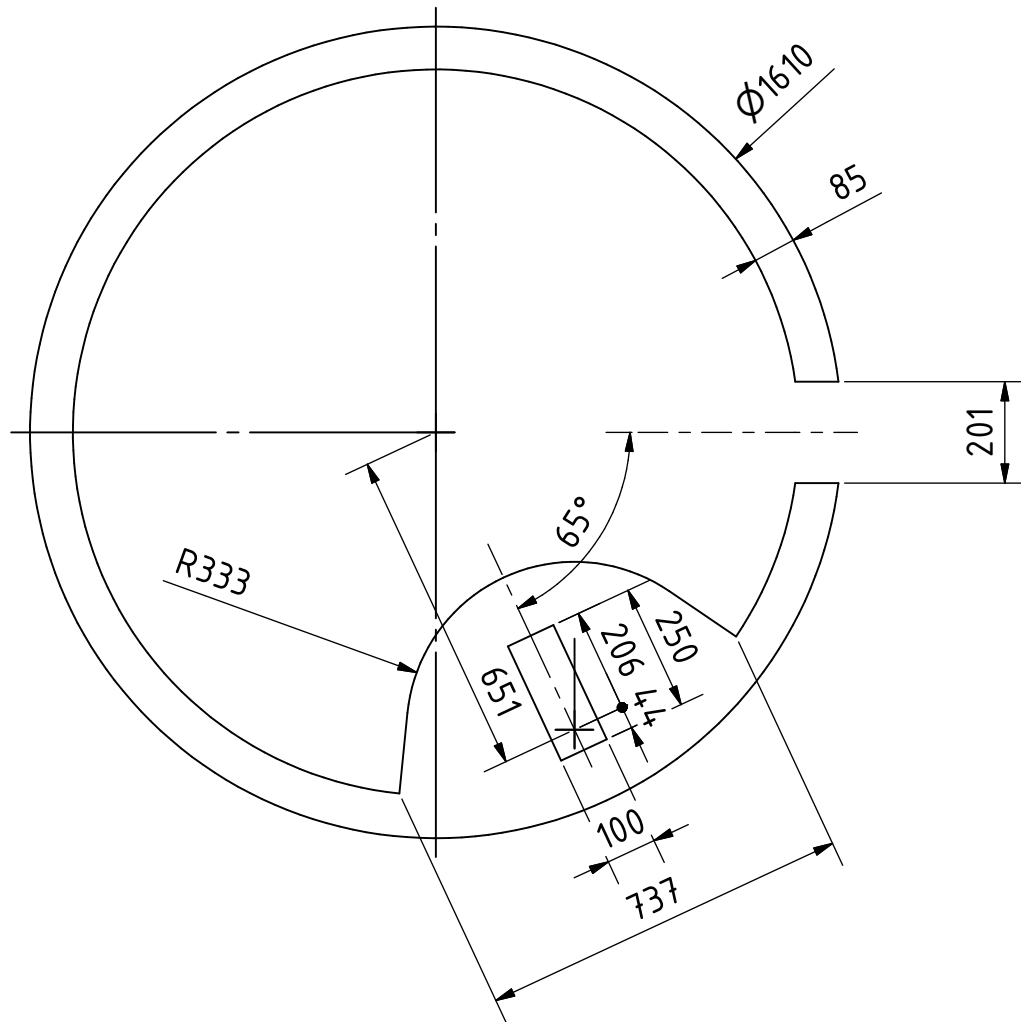
Flat pattern

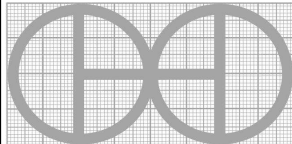


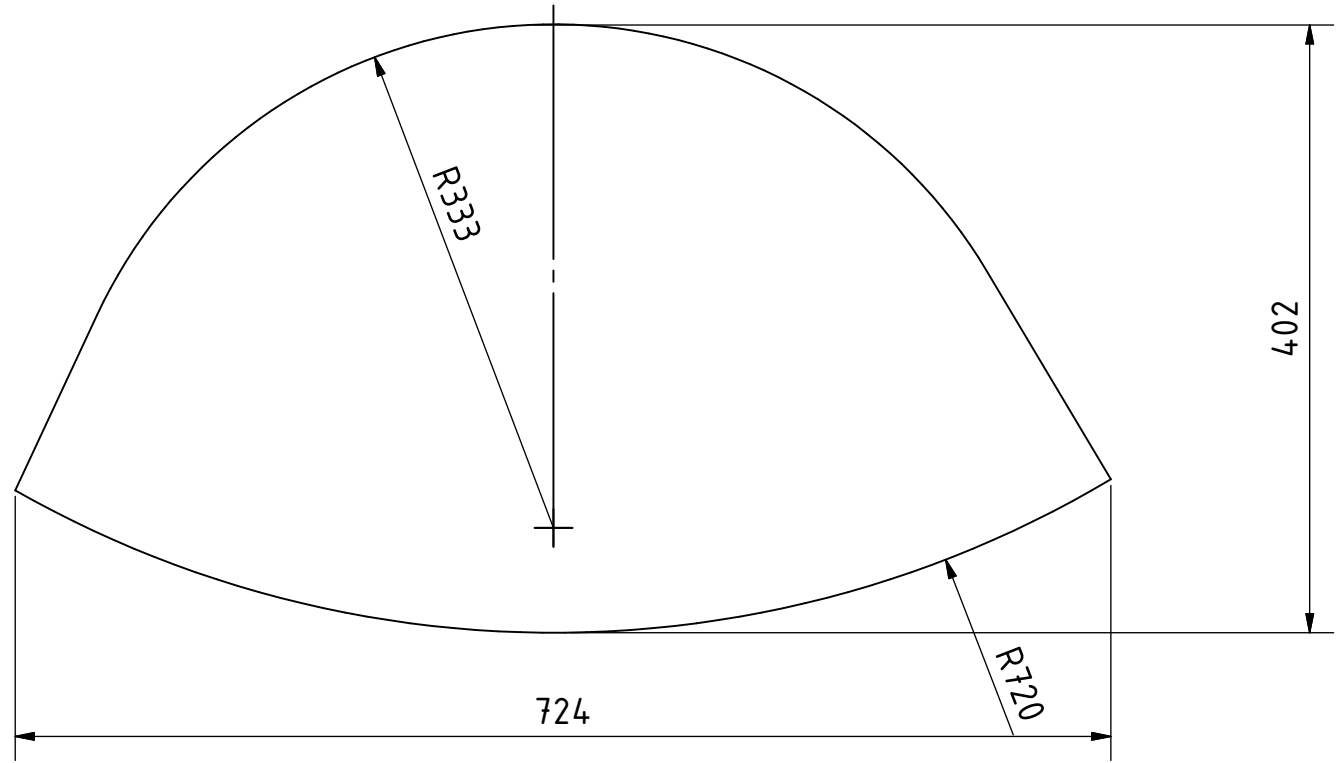
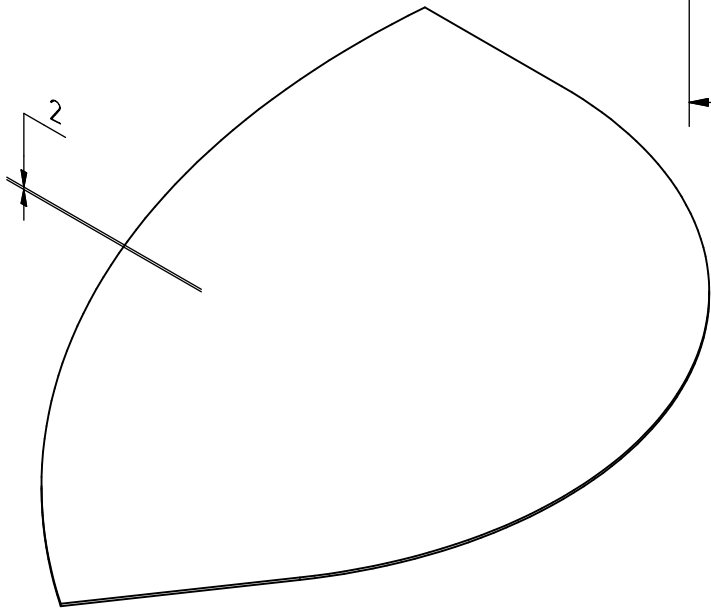
PROJECT	CREATED BY	APPROVED BY	DATE	VERSION	
Vertical Drum Hemp Harvester	A. Morillo	D. Jaeger	12-04-2024	0.05	
PART NAME	SPECIFICACIONES			CODE	
Part 2.24.1	Steel 235J2			2.24.1	
DEVELOPED BY	REDESIGNED BY	FILENAME		QTY	
Hanfasser		2.24.1.ipt		2	
		LICENSE	DOC. TYPE	SCALE	SHEET
		CC-BY-SA 4.0	Part	1 : 15	128 /146

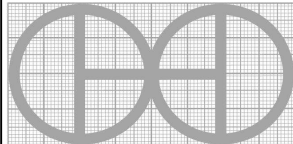


PROJECT	CREATED BY	APPROVED BY	DATE	VERSION	
Vertical Drum Hemp Harvester	A. Morillo	D. Jaeger	12-04-2024	0.05	
PART NAME	SPECIFICACIONES			CODE	
Part 2.24.3	Steel 235J2			2.24.3	
DEVELOPED BY	REDESIGNED BY	FILENAME		QTY	
Hanfasser		2.24.3.ipt		2	
		LICENSE	DOC. TYPE	SCALE	SHEET
		CC-BY-SA 4.0	Part	1 : 15	129 /146

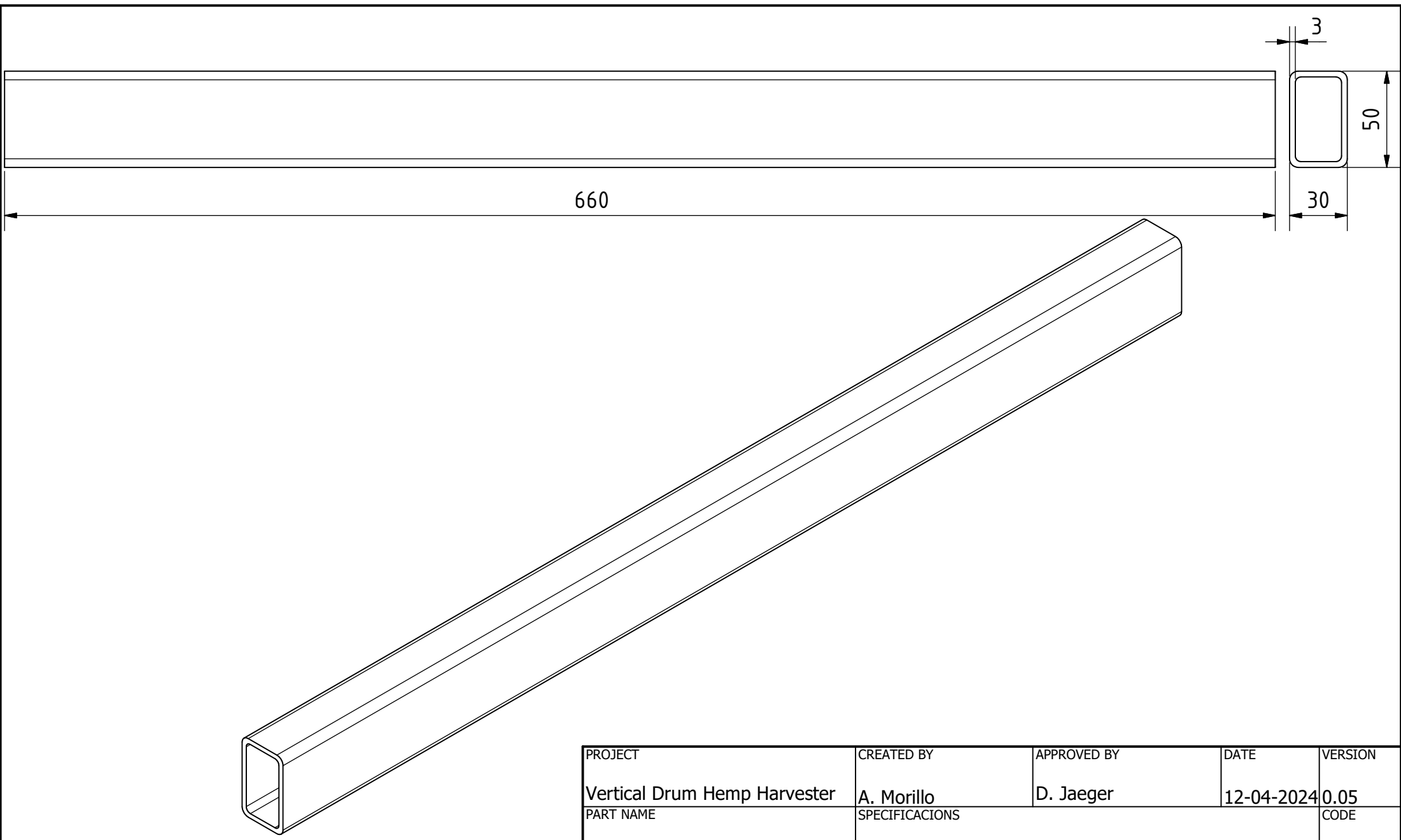


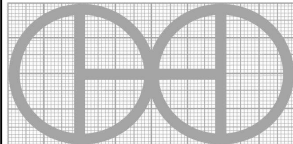
PROJECT	CREATED BY	APPROVED BY	DATE	VERSION	
Vertical Drum Hemp Harvester	A. Morillo	D. Jaeger	12-04-2024	0.05	
PART NAME	SPECIFICACIONES			CODE	
Part 2.24.4	Steel 235J2			2.24.4	
DEVELOPED BY	REDESIGNED BY	FILENAME		QTY	
Hanfasser		2.24.4.ipt		2	
		LICENSE	DOC. TYPE	SCALE	SHEET
		CC-BY-SA 4.0	Part	1 : 1	130 /146



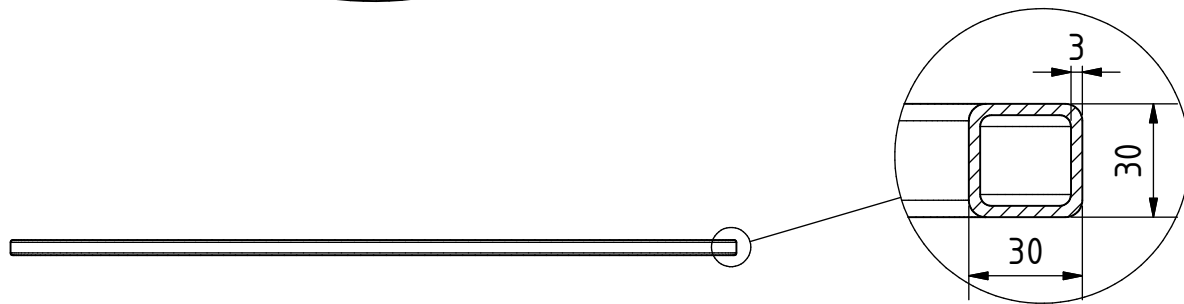
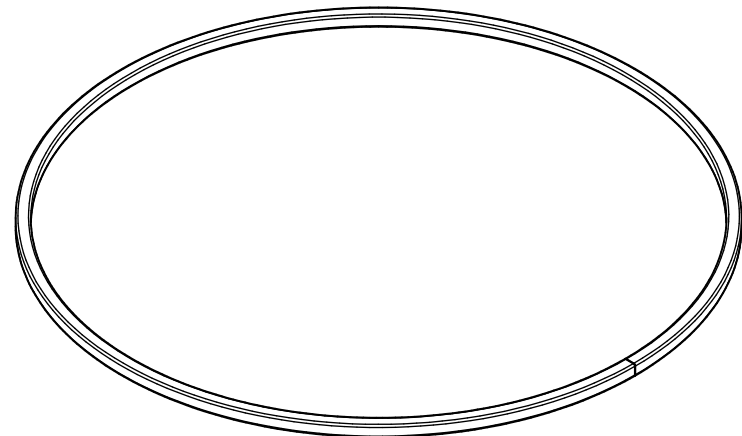
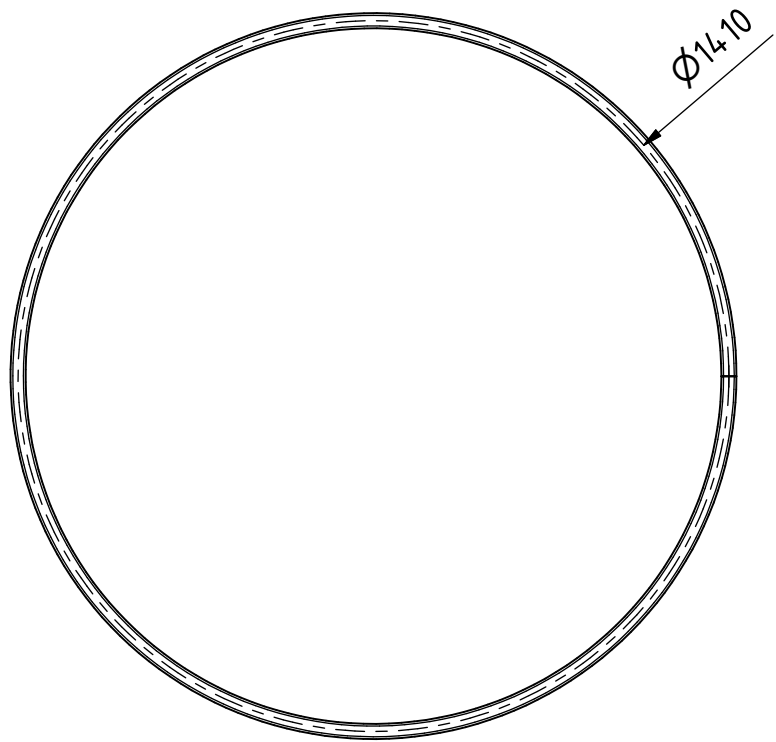
PROJECT	CREATED BY	APPROVED BY	DATE	VERSION	
Vertical Drum Hemp Harvester	A. Morillo	D. Jaeger	12-04-2024	0.05	
PART NAME	SPECIFICACIONES			CODE	
Part 2.24.5	Steel 235J2			2.24.5	
DEVELOPED BY	REDESIGNED BY	FILENAME		QTY	
Hanfasser		2.24.5.ipt		2	
		LICENSE	DOC. TYPE	SCALE	SHEET
		CC-BY-SA 4.0	Part	1 : 5	131 /146

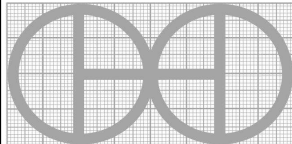
OHO e.V.

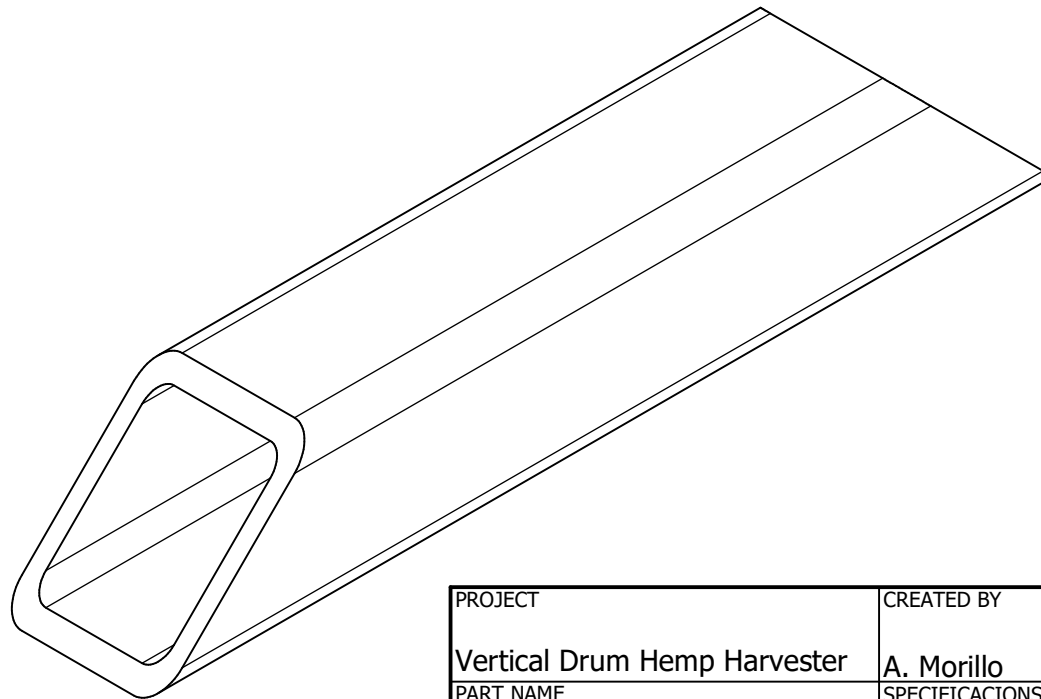
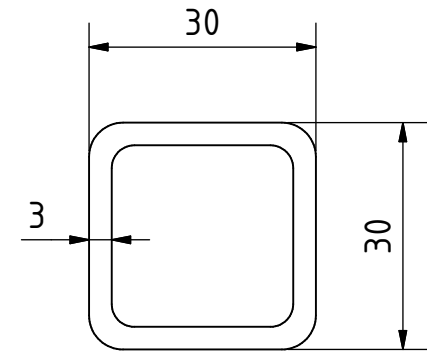
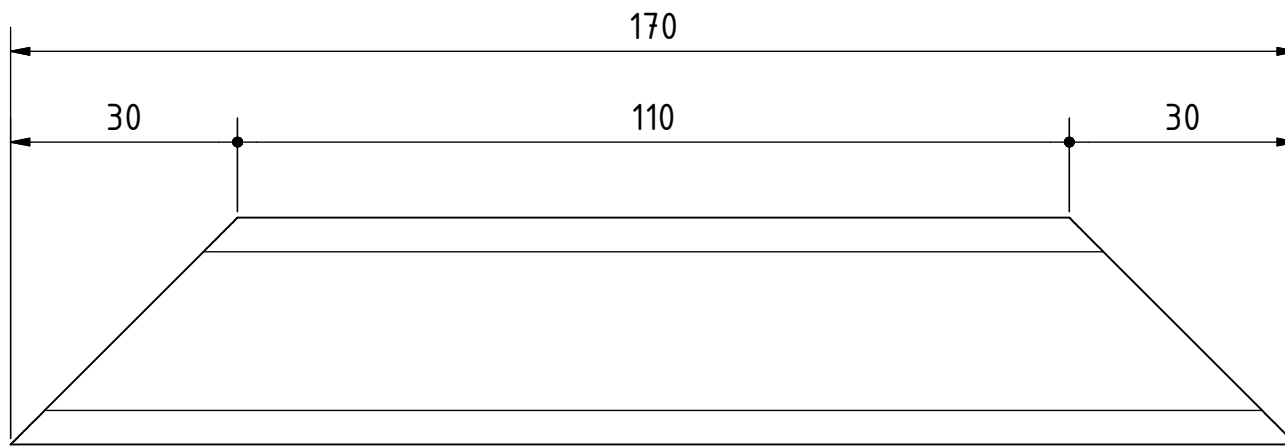


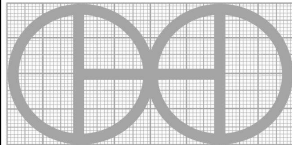
PROJECT	CREATED BY	APPROVED BY	DATE	VERSION	
Vertical Drum Hemp Harvester	A. Morillo	D. Jaeger	12-04-2024	0.05	
PART NAME	SPECIFICACIONES			CODE	
Part 2.24.6	Steel 235J2, rectangle profile 50*30*3			2.24.6	
DEVELOPED BY	REDESIGNED BY	FILENAME		QTY	
Hanfasser		2.24.6.ipt		6	
		LICENSE	DOC. TYPE	SCALE	SHEET
		CC-BY-SA 4.0	Part	2 : 5	132 /146

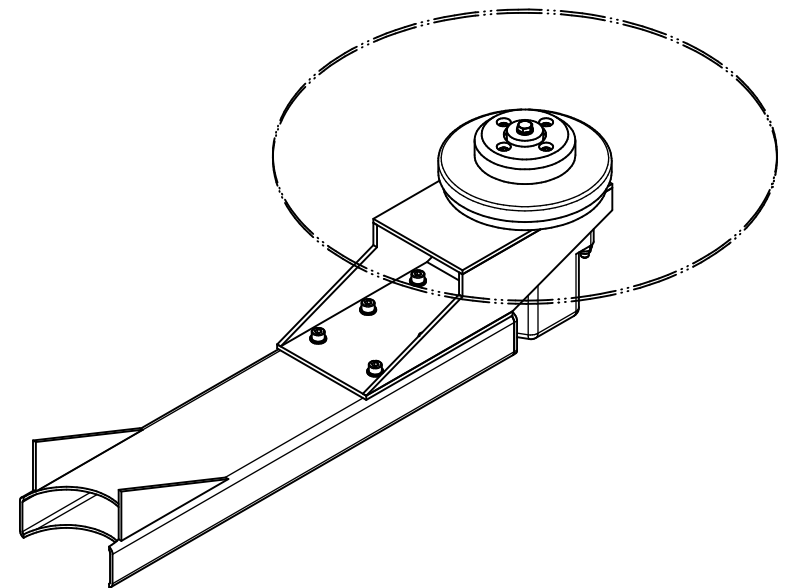
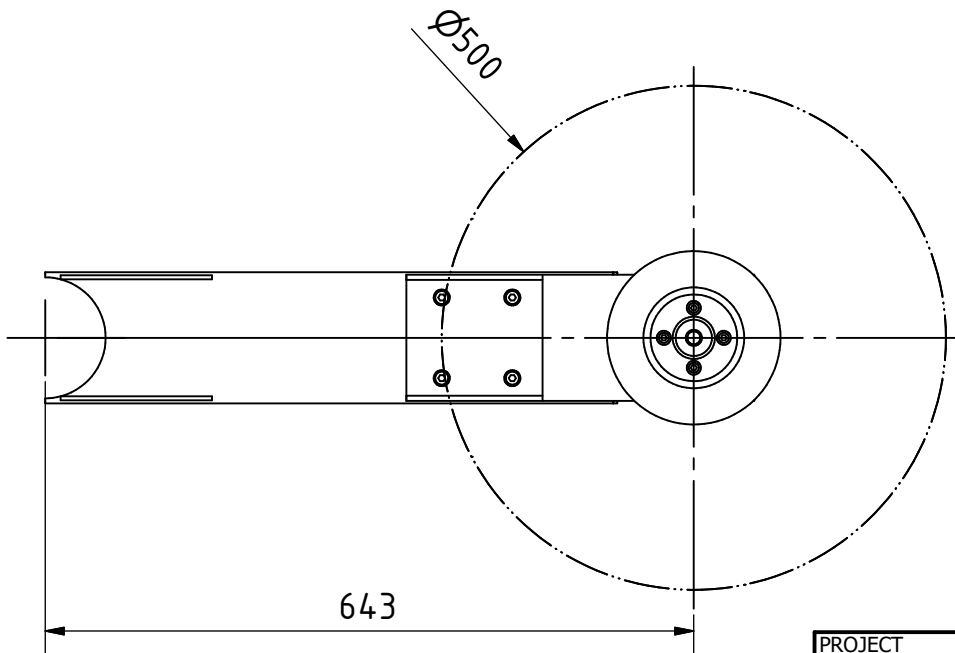
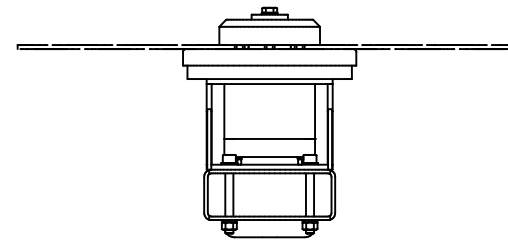
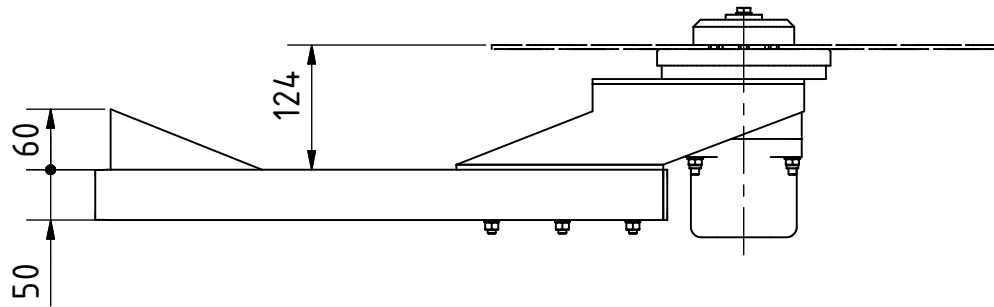
OHO e.V.



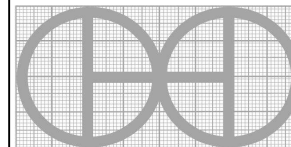
PROJECT	CREATED BY	APPROVED BY	DATE	VERSION	
Vertical Drum Hemp Harvester	A. Morillo	D. Jaeger	12-04-2024	0.05	
PART NAME	SPECIFICACIONES			CODE	
Part 2.24.7	Steel 235J2, square profile 30*30*3			2.24.7	
DEVELOPED BY	REDESIGNED BY	FILENAME		QTY	
Hanfasser		2.24.7.ipt		2	
		LICENSE	DOC. TYPE	SCALE	SHEET
		CC-BY-SA 4.0	Part	1 : 15	133 /146



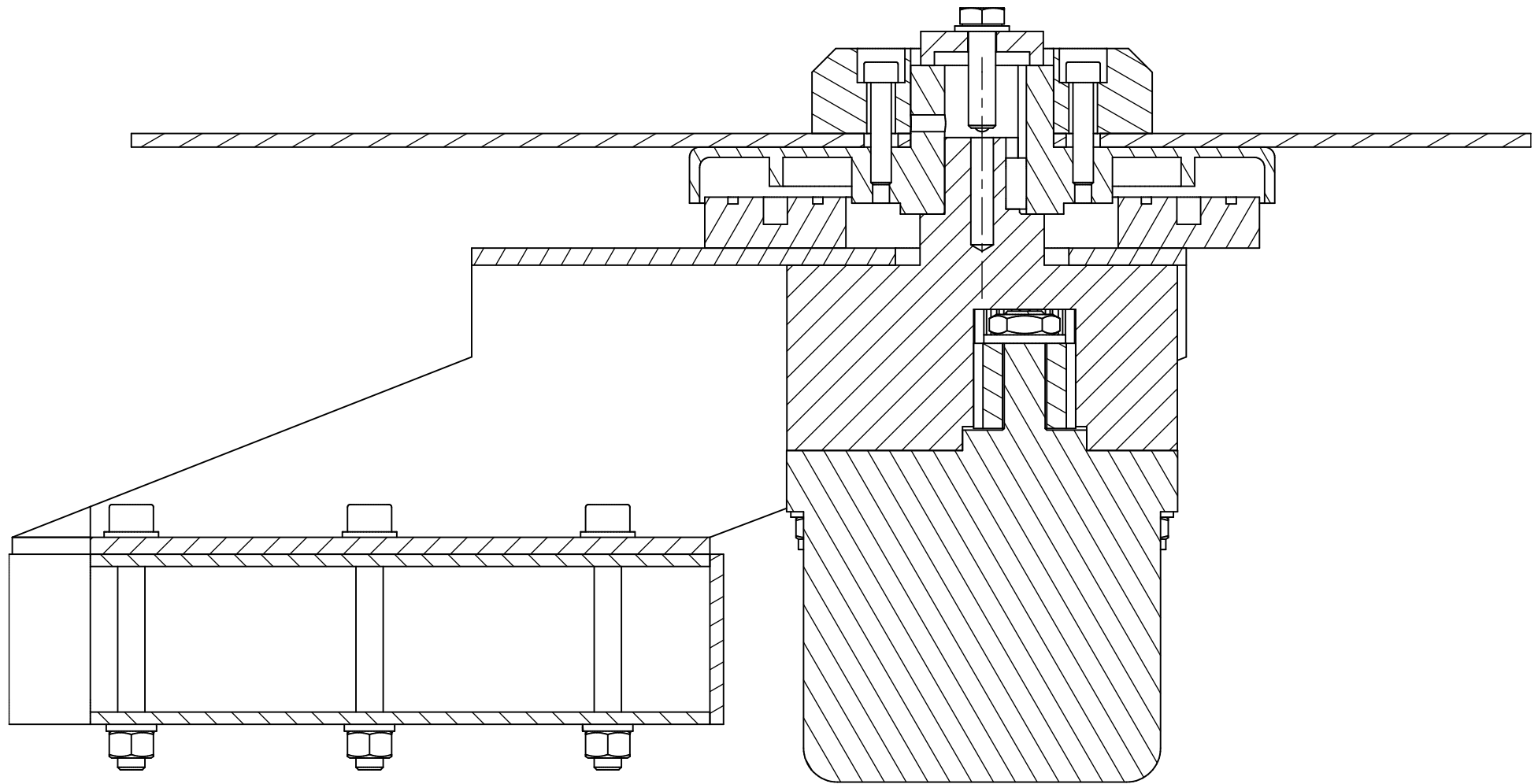
PROJECT	CREATED BY	APPROVED BY	DATE	VERSION	
Vertical Drum Hemp Harvester	A. Morillo	D. Jaeger	12-04-2024	0.05	
PART NAME	SPECIFICACIONES			CODE	
Part 2.24.8	Steel 235J2, square profile 30*30*3			2.24.8	
DEVELOPED BY	REDESIGNED BY	FILENAME		QTY	
		2.24.8.ipt		6	
Hanfasser		LICENSE	DOC. TYPE	SCALE	SHEET
		CC-BY-SA 4.0	Part	1 : 1	134 /146



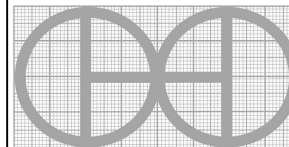
PROJECT	CREATED BY	APPROVED BY	DATE	VERSION
Vertical Drum Hemp Harvester	A. Morillo	D. Jaeger	12-04-2024	0.05
PART NAME	SPECIFICACIONES			CODE
Circular saws				3.0.0
DEVELOPED BY	REDESIGNED BY	FILENAME		QTY
		3.iam		6
		LICENSE	DOC. TYPE	SHEET
Hanfasser		CC-BY-SA 4.0	Assembly	135 /146



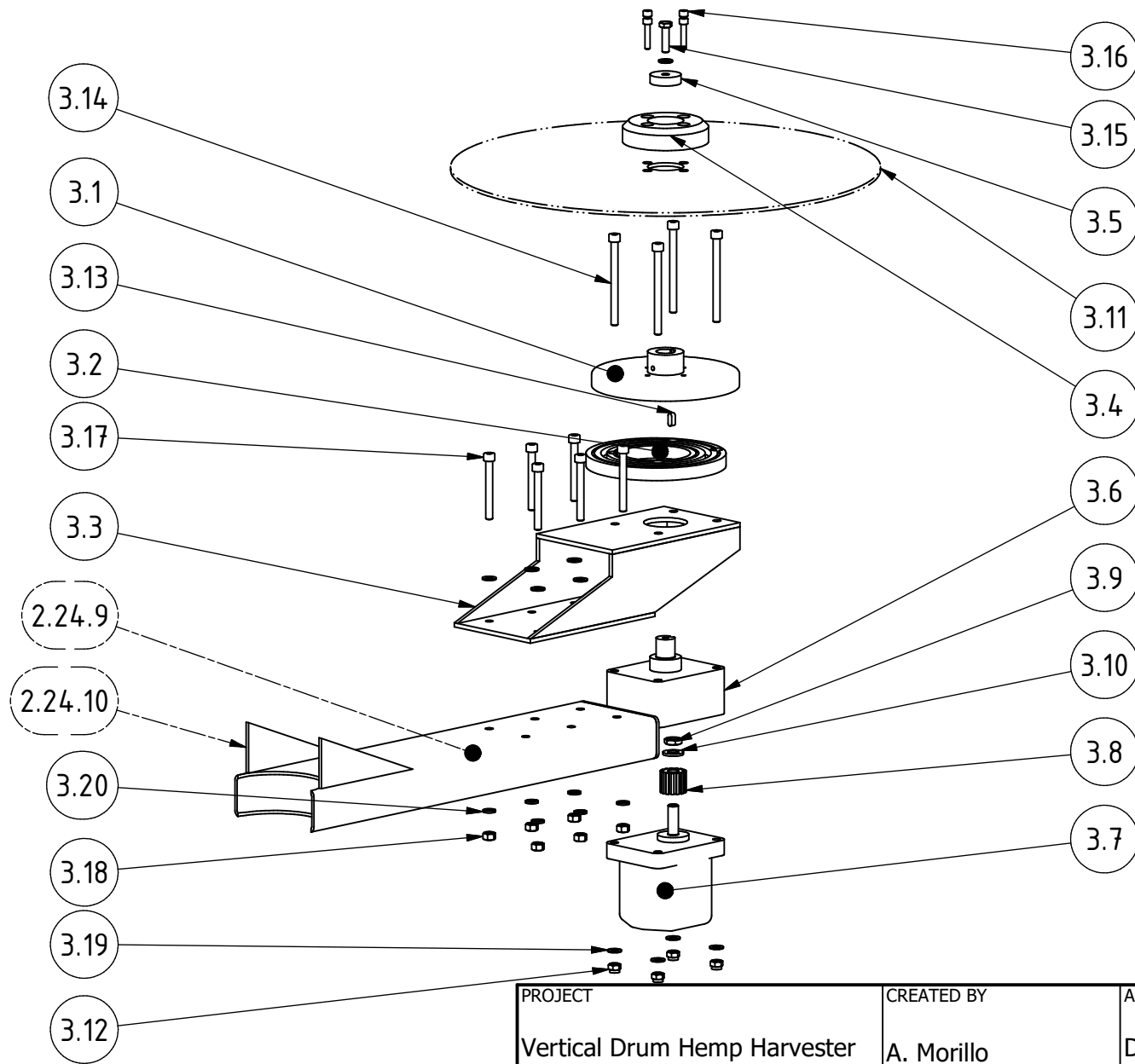
OHO e.V.

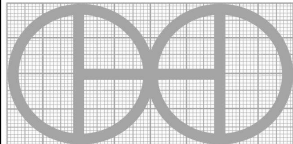


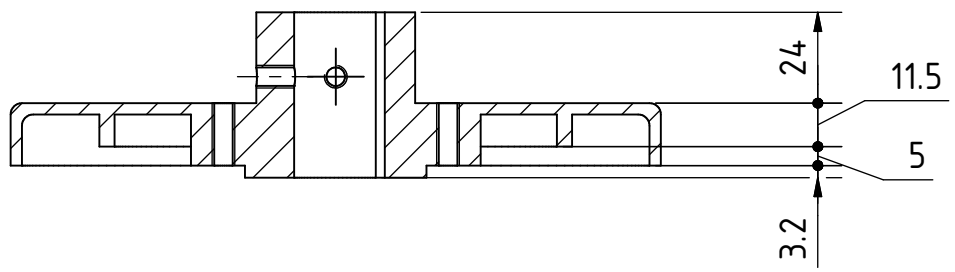
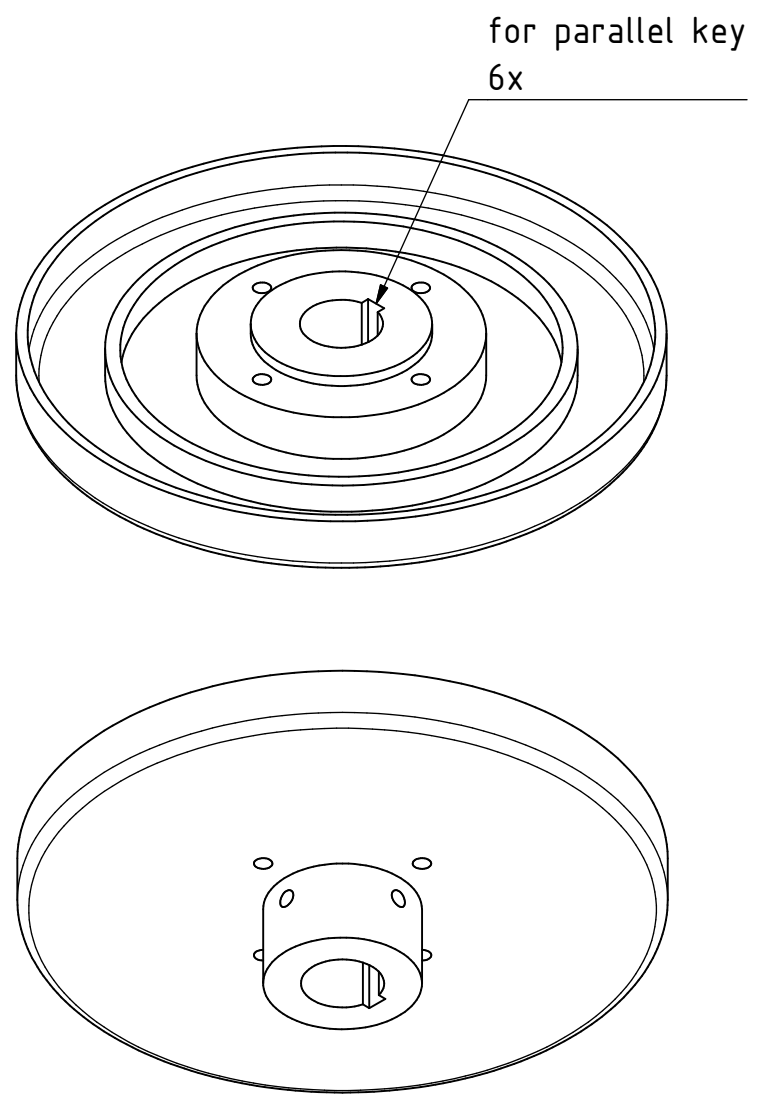
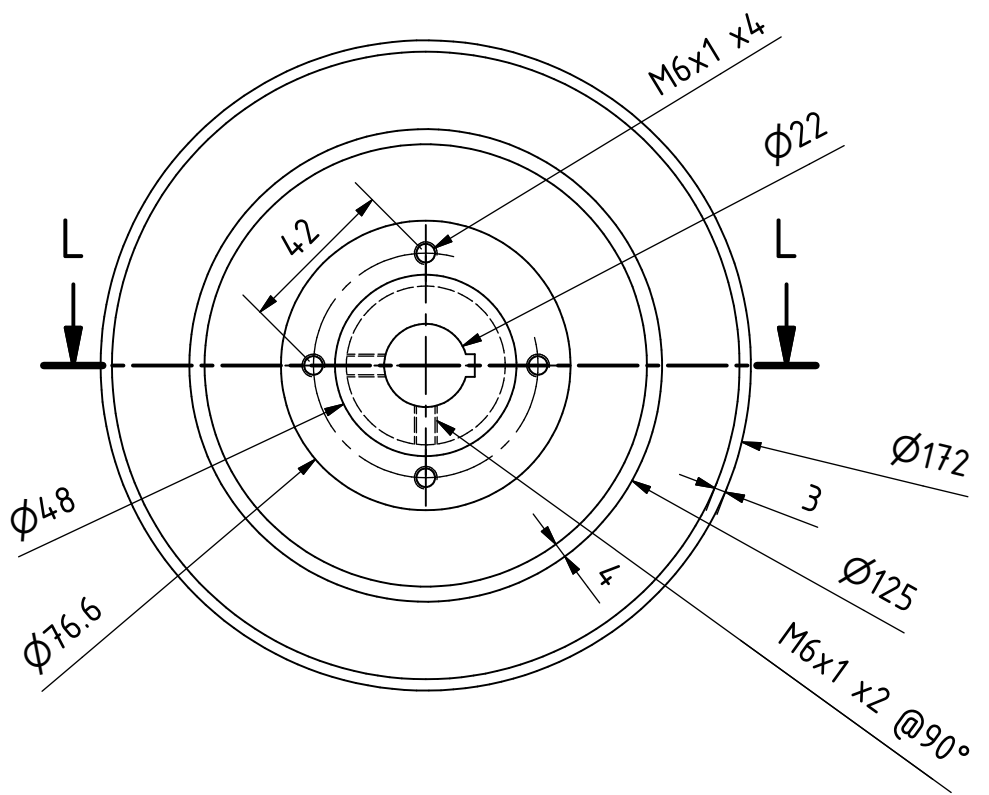
PROJECT	CREATED BY	APPROVED BY	DATE	VERSION
Vertical Drum Hemp Harvester	A. Morillo	D. Jaeger	12-04-2024	0.05
PART NAME	SPECIFICACIONES			CODE
Circular saws				3.0.0
DEVELOPED BY	REDESIGNED BY	FILENAME		QTY
		3.iam		6
		LICENSE	DOC. TYPE	SCALE
Handfasser		CC-BY-SA 4.0	Assembly	4 : 7
				SHEET
				136 /146

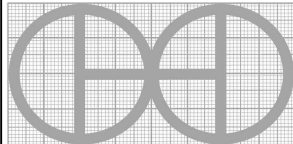


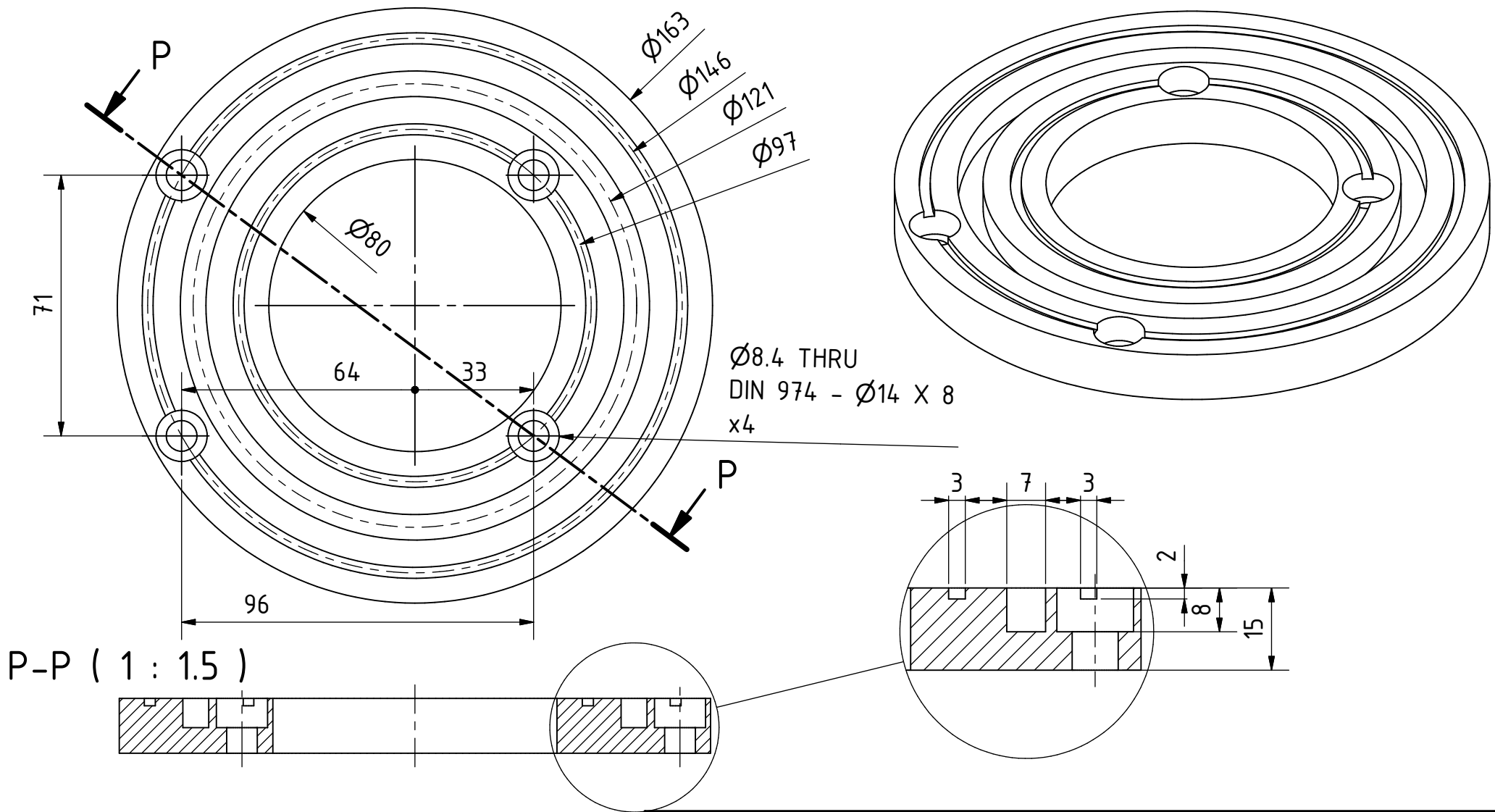
OHO e.V.

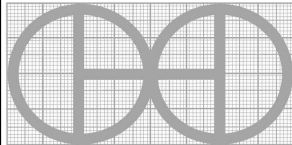


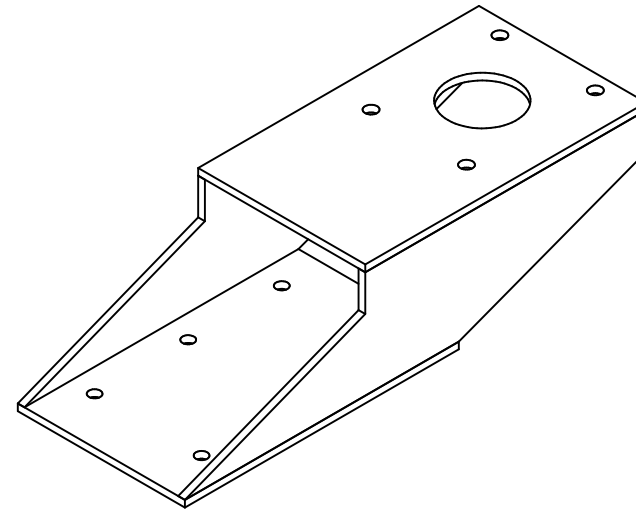
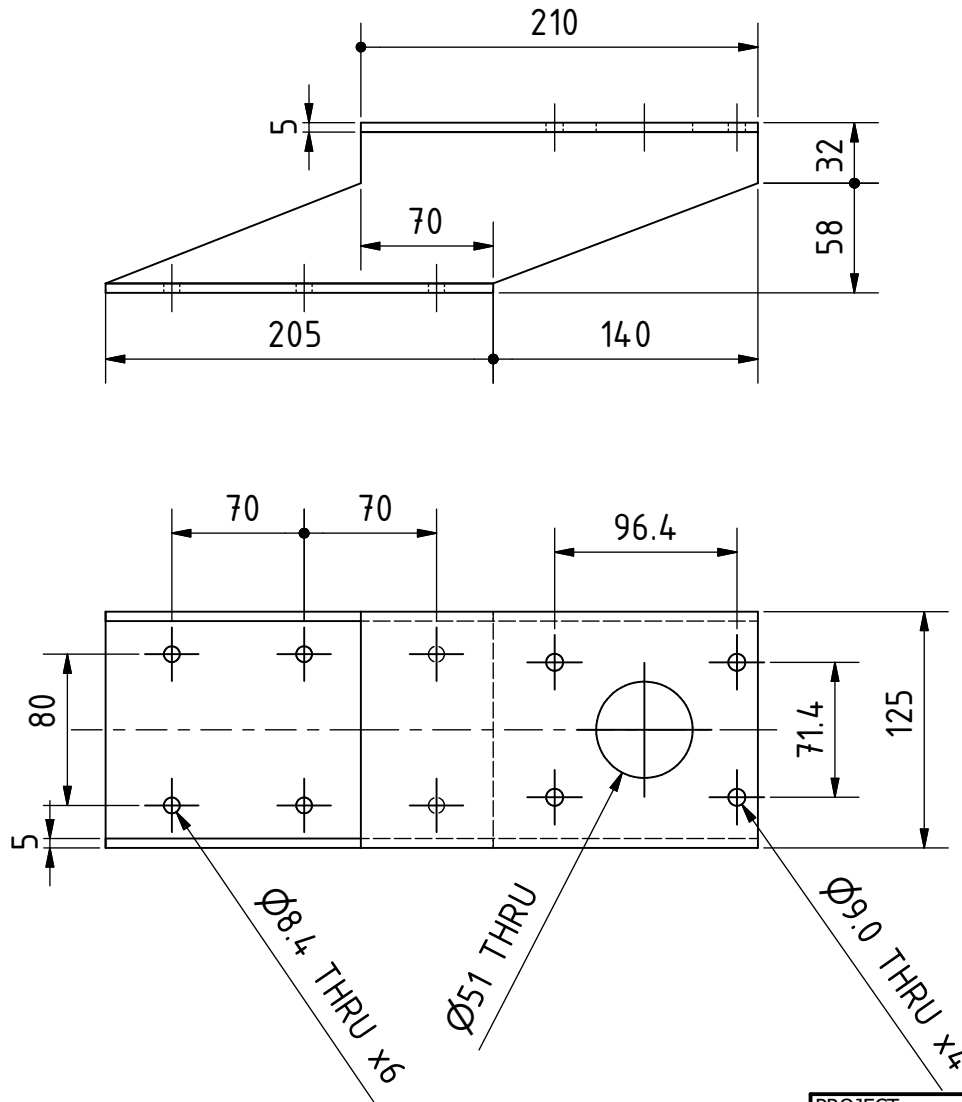
PROJECT	CREATED BY	APPROVED BY	DATE	VERSION
Vertical Drum Hemp Harvester	A. Morillo	D. Jaeger	12-04-2024	0.05
PART NAME	SPECIFICACIONES			CODE
Circular saws				3.0.0
DEVELOPED BY	REDESIGNED BY	FILENAME	QTY	
		3.ipn	6	
Hanfasser		LICENSE	DOC. TYPE	SCALE
		CC-BY-SA 4.0	Assembly	2 : 15
				SHEET
				137 /146



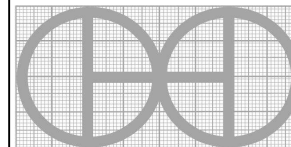
PROJECT		CREATED BY		APPROVED BY		DATE		VERSION		
Vertical Drum Hemp Harvester		A. Morillo		D. Jaeger		12-04-2024		0.05		
PART NAME		SPECIFICACIONES							CODE	
Circular saw fastening lower part		Steel 235J2							3.1.0	
DEVELOPED BY		REDESIGNED BY		FILENAME				QTY		
Hanfasser				3.1.ipt				6		
		OHO e.V.		LICENSE		DOC. TYPE		SCALE		
				CC-BY-SA 4.0		Part		1 : 2		
								SHEET		
								138 /146		



PROJECT	CREATED BY	APPROVED BY	DATE	VERSION
Vertical Drum Hemp Harvester	A. Morillo	D. Jaeger	12-04-2024	0.05
PART NAME	SPECIFICACIONES			CODE
Motor mounting plate	Steel 235J2			3.2.0
DEVELOPED BY	REDESIGNED BY	FILENAME		QTY
		3.2.ipt		6
		LICENSE	DOC. TYPE	SHEET
Hanfasser		CC-BY-SA 4.0	Part	139 /146
			SCALE	
			2 : 3	

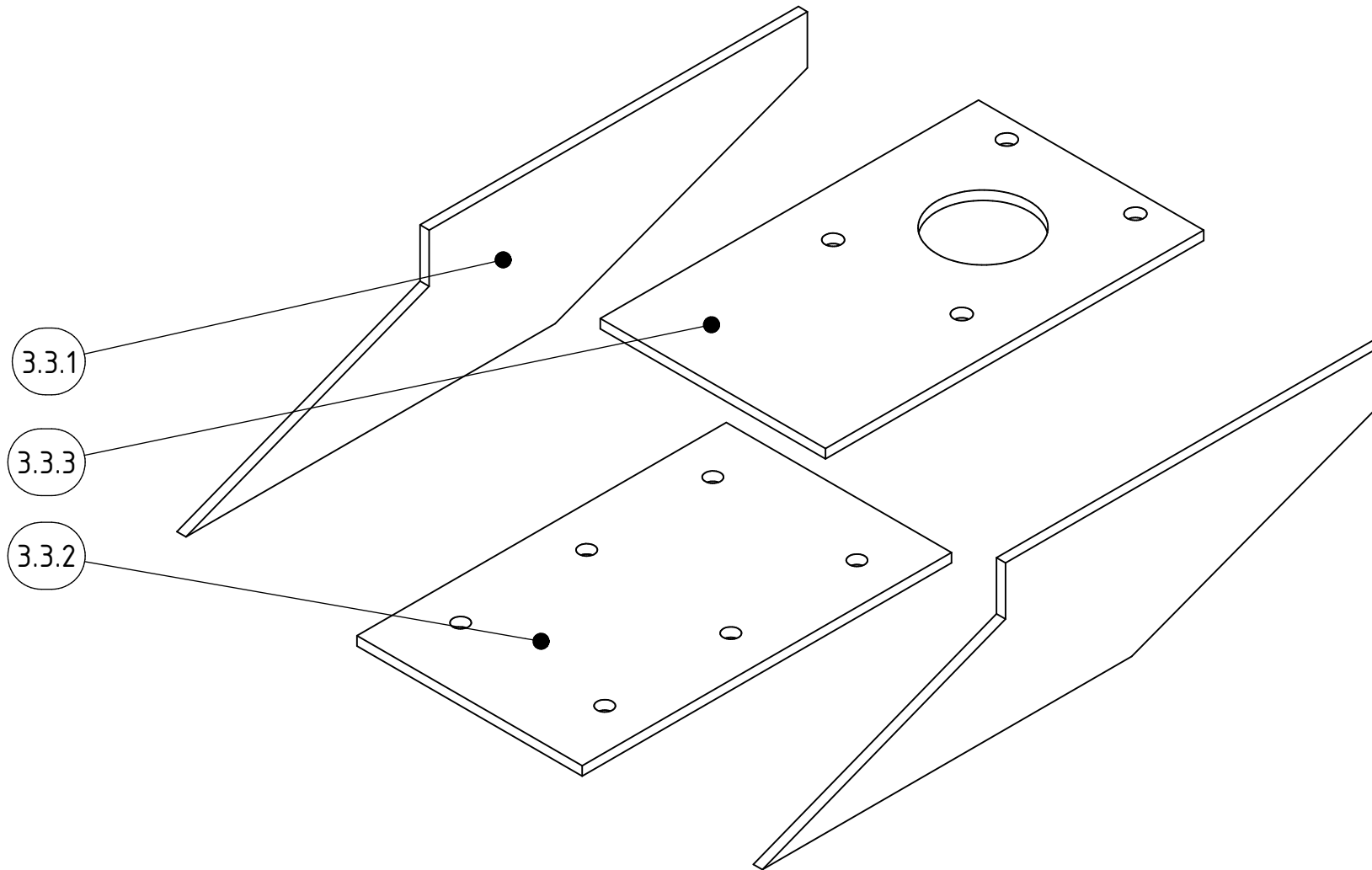


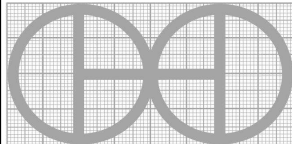
PROJECT	CREATED BY	APPROVED BY	DATE	VERSION
Vertical Drum Hemp Harvester	A. Morillo	D. Jaeger	12-04-2024	0.05
PART NAME	SPECIFICACIONES			CODE
Console for circular saw	Steel 235J2			3.3.0
DEVELOPED BY	REDESIGNED BY	FILENAME		QTY
		3.3.iam		6
		LICENSE	DOC. TYPE	SCALE
		CC-BY-SA 4.0	Assembly	1 : 4
				SHEET
				140 /146

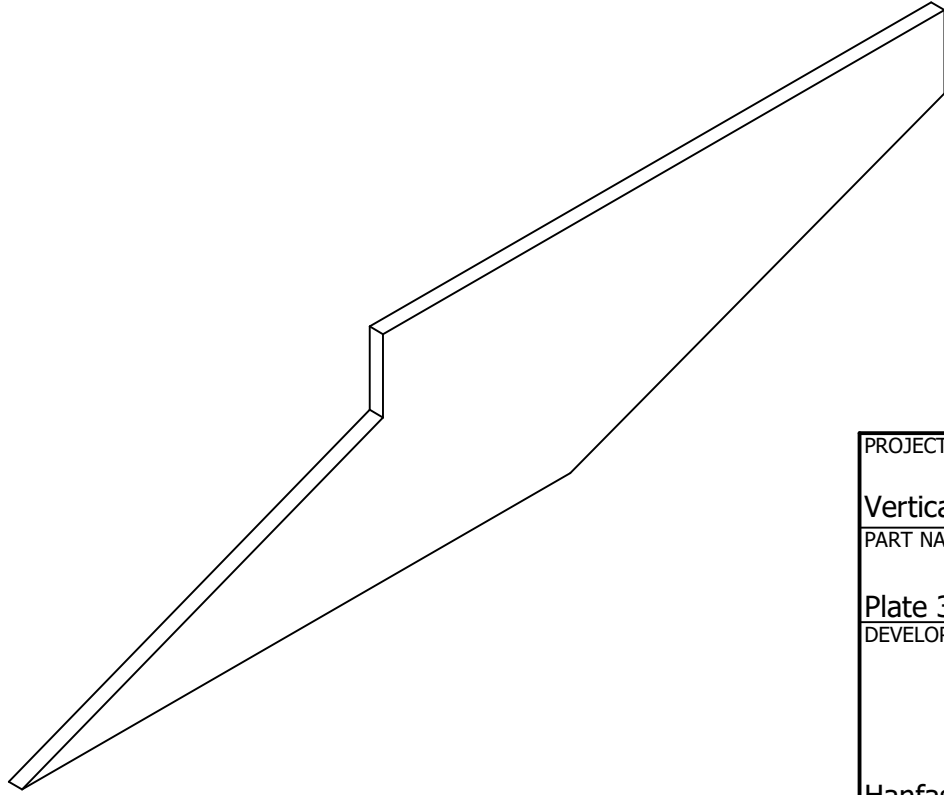
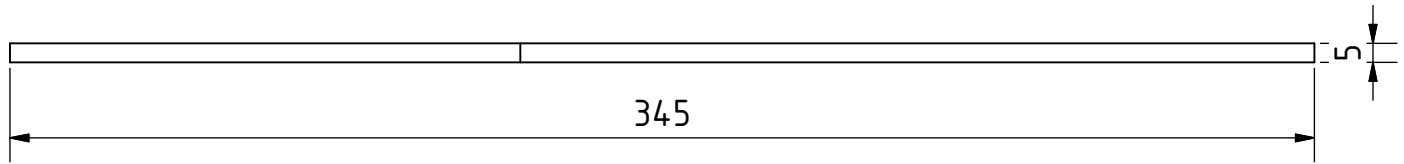
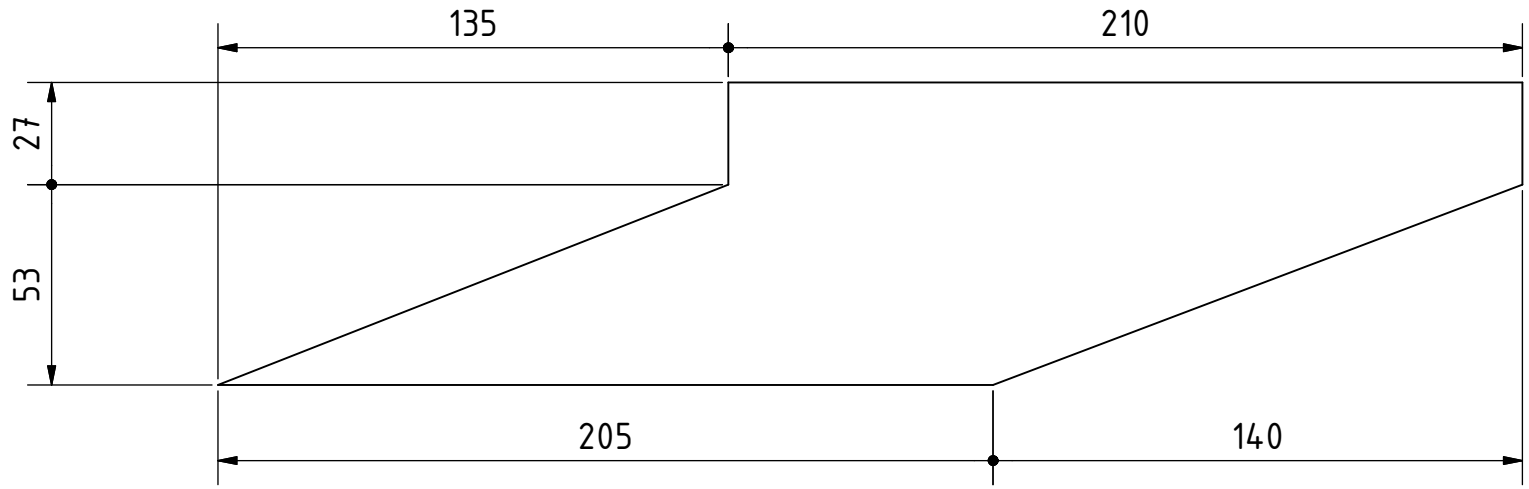


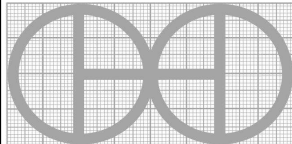
OHO e.V.

Hanfasser

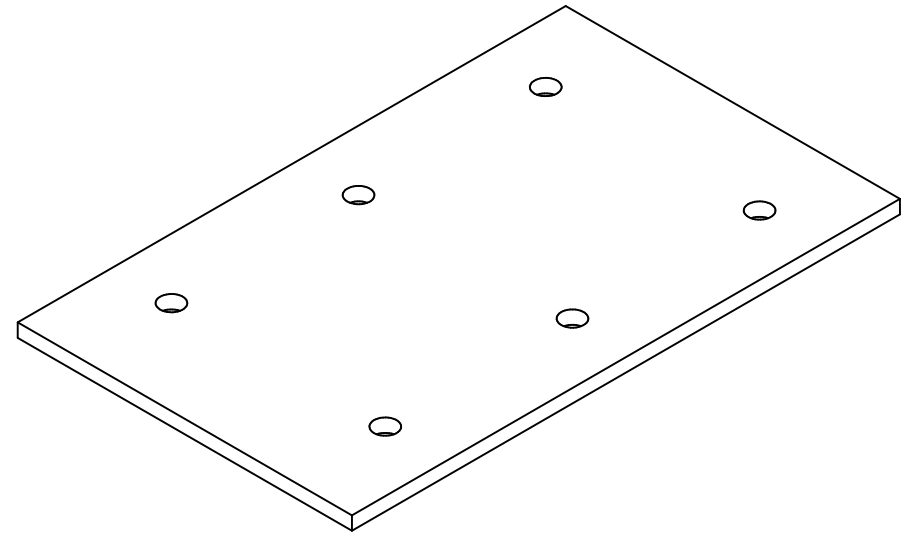
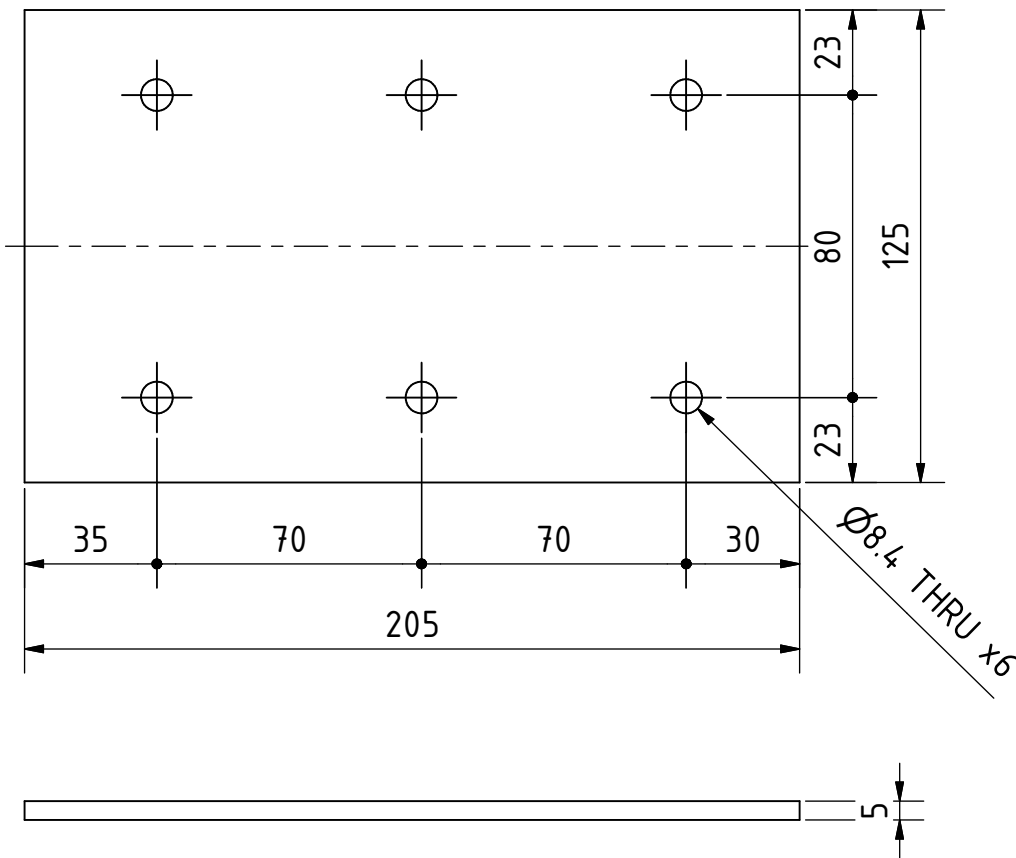


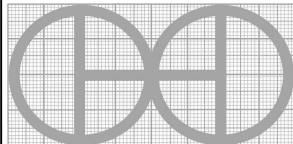
PROJECT	CREATED BY	APPROVED BY	DATE	VERSION	
Vertical Drum Hemp Harvester	A. Morillo	D. Jaeger	12-04-2024	0.05	
PART NAME	SPECIFICACIONES			CODE	
Console for circular saw	Steel 235J2			3.3.0	
DEVELOPED BY	REDESIGNED BY	FILENAME		QTY	
Hanfasser		3.3.ipn		6	
		LICENSE	DOC. TYPE	SCALE	SHEET
		CC-BY-SA 4.0	Assembly	2 : 5	141 /146

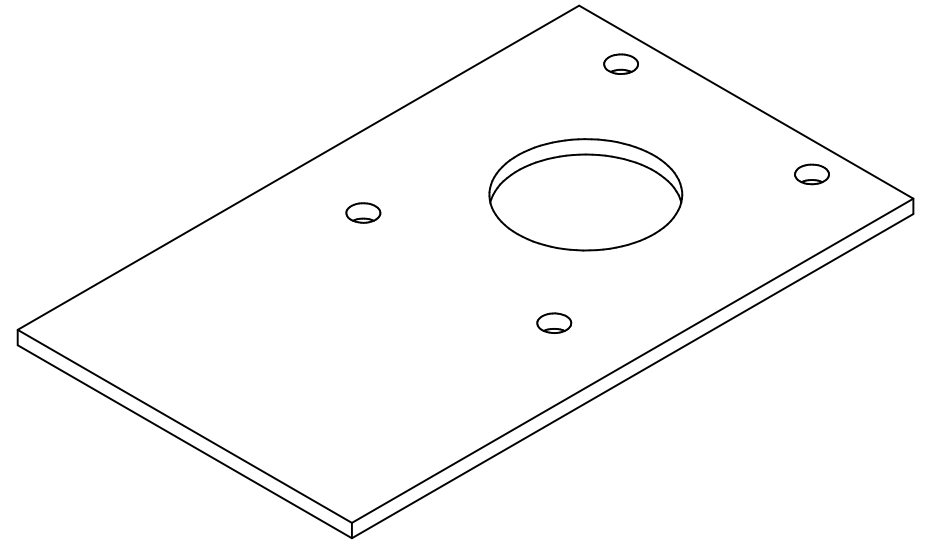
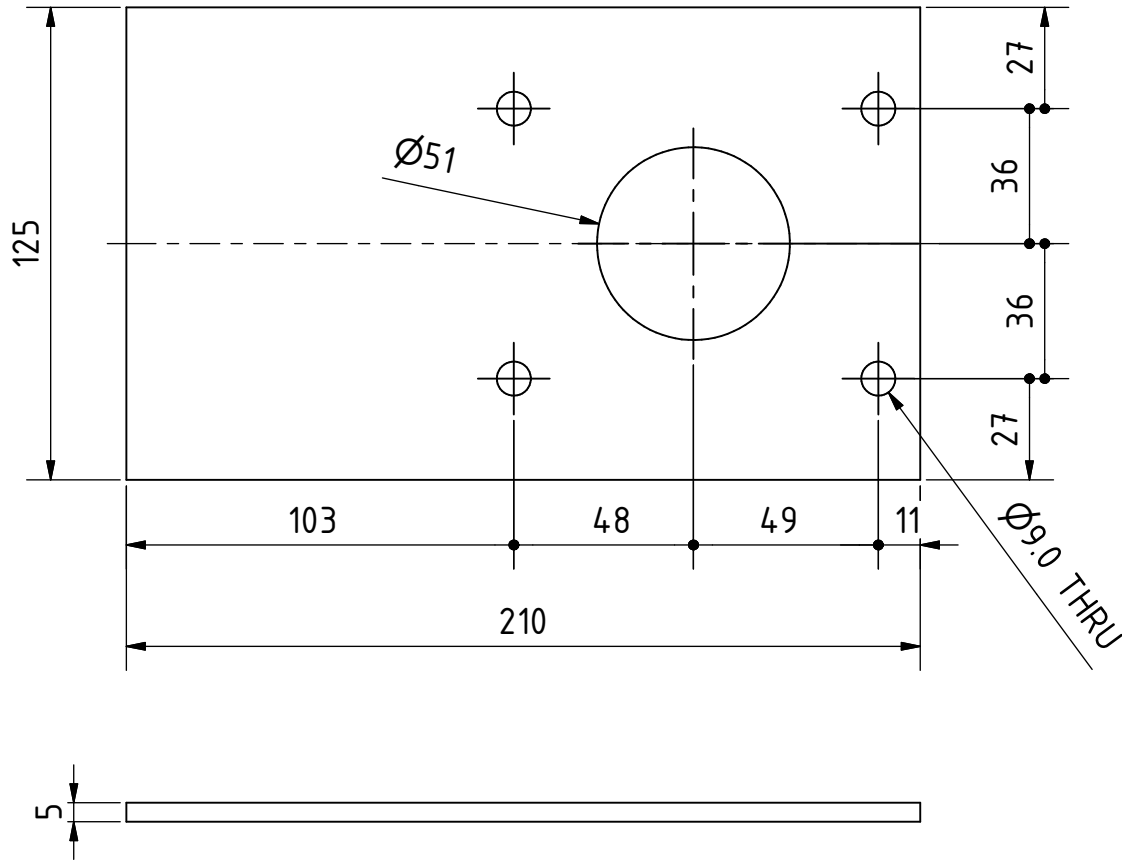


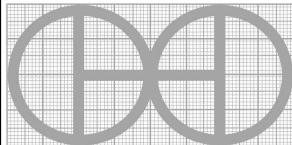
PROJECT	CREATED BY	APPROVED BY	DATE	VERSION	
Vertical Drum Hemp Harvester	A. Morillo	D. Jaeger	12-04-2024	0.05	
PART NAME	SPECIFICACIONES			CODE	
Plate 3.3.1	Steel 235J2			3.3.1	
DEVELOPED BY	REDESIGNED BY	FILENAME		QTY	
Hanfasser		3.3.1.ipt		12	
		LICENSE	DOC. TYPE	SCALE	SHEET
		CC-BY-SA 4.0	Part	1 : 2	142 /146

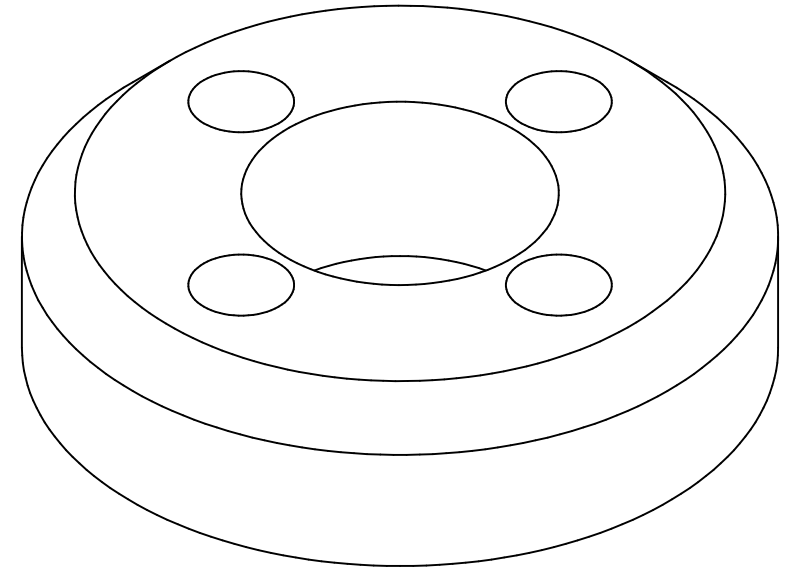
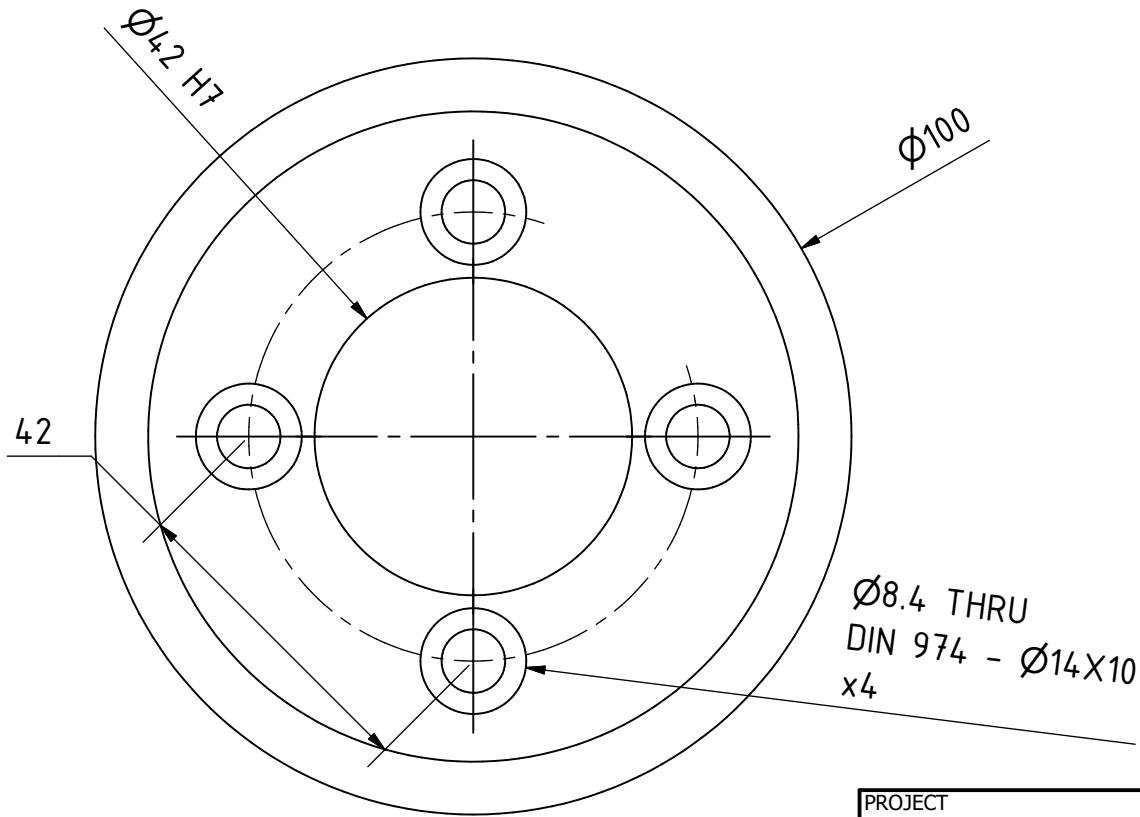
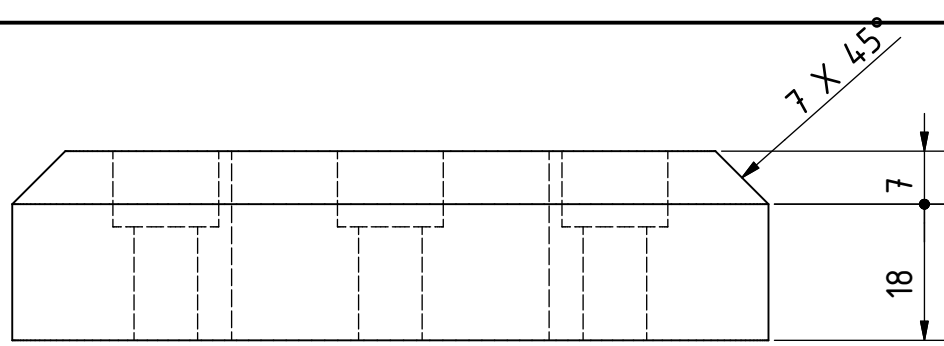
OHO e.V.

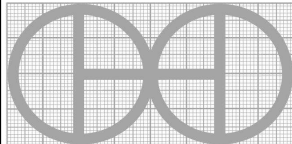


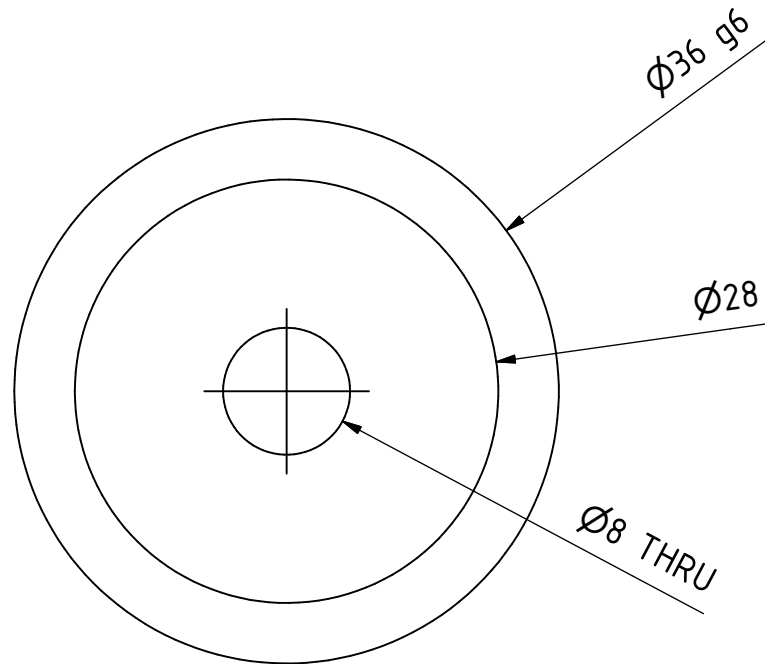
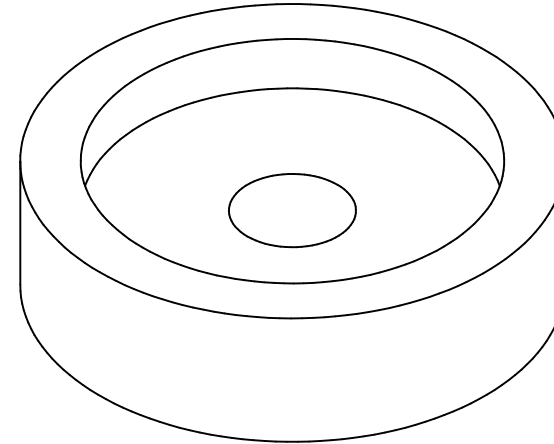
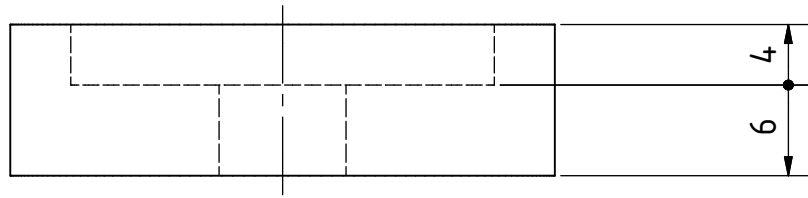
PROJECT	CREATED BY	APPROVED BY	DATE	VERSION	
Vertical Drum Hemp Harvester	A. Morillo	D. Jaeger	12-04-2024	0.05	
PART NAME	SPECIFICACIONES			CODE	
Plate 3.3.2	Steel 235J2			3.3.2	
DEVELOPED BY	REDESIGNED BY	FILENAME		QTY	
Hanfasser		3.3.2.ipt		6	
		LICENSE	DOC. TYPE	SCALE	SHEET
		CC-BY-SA 4.0	Part	1 : 2	143 /146

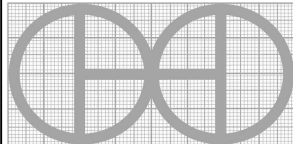


PROJECT	CREATED BY	APPROVED BY	DATE	VERSION
Vertical Drum Hemp Harvester	A. Morillo	D. Jaeger	12-04-2024	0.05
PART NAME	SPECIFICACIONES			CODE
Plate 3.3.3	Steel 235J2			3.3.3
DEVELOPED BY	REDESIGNED BY	FILENAME		QTY
		3.3.3.ipt		6
Hanfasser		LICENSE	DOC. TYPE	SCALE
		CC-BY-SA 4.0	Part	1 : 2
				SHEET
				144 /146



PROJECT	CREATED BY	APPROVED BY	DATE	VERSION
Vertical Drum Hemp Harvester	A. Morillo	D. Jaeger	12-04-2024	0.05
PART NAME	SPECIFICACIONES			CODE
Circular saw attachment upper part	Steel 235J2			3.4.0
DEVELOPED BY	REDESIGNED BY	FILENAME		QTY
		3.4.ipt		6
Hanfasser		LICENSE	DOC. TYPE	SCALE
		CC-BY-SA 4.0	Part	1 : 1
				SHEET
				145 /146



PROJECT	CREATED BY	APPROVED BY	DATE	VERSION	
Vertical Drum Hemp Harvester	A. Morillo	D. Jaeger	12-04-2024	0.05	
PART NAME	SPECIFICACIONES			CODE	
U Washer	Steel 235J2			3.5.0	
DEVELOPED BY	REDESIGNED BY	FILENAME		QTY	
Hanfasser		3.5.ipt		6	
		LICENSE	DOC. TYPE	SCALE	SHEET
		CC-BY-SA 4.0	Part	2 : 1	146 /146

OHO e.V.