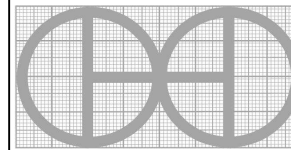
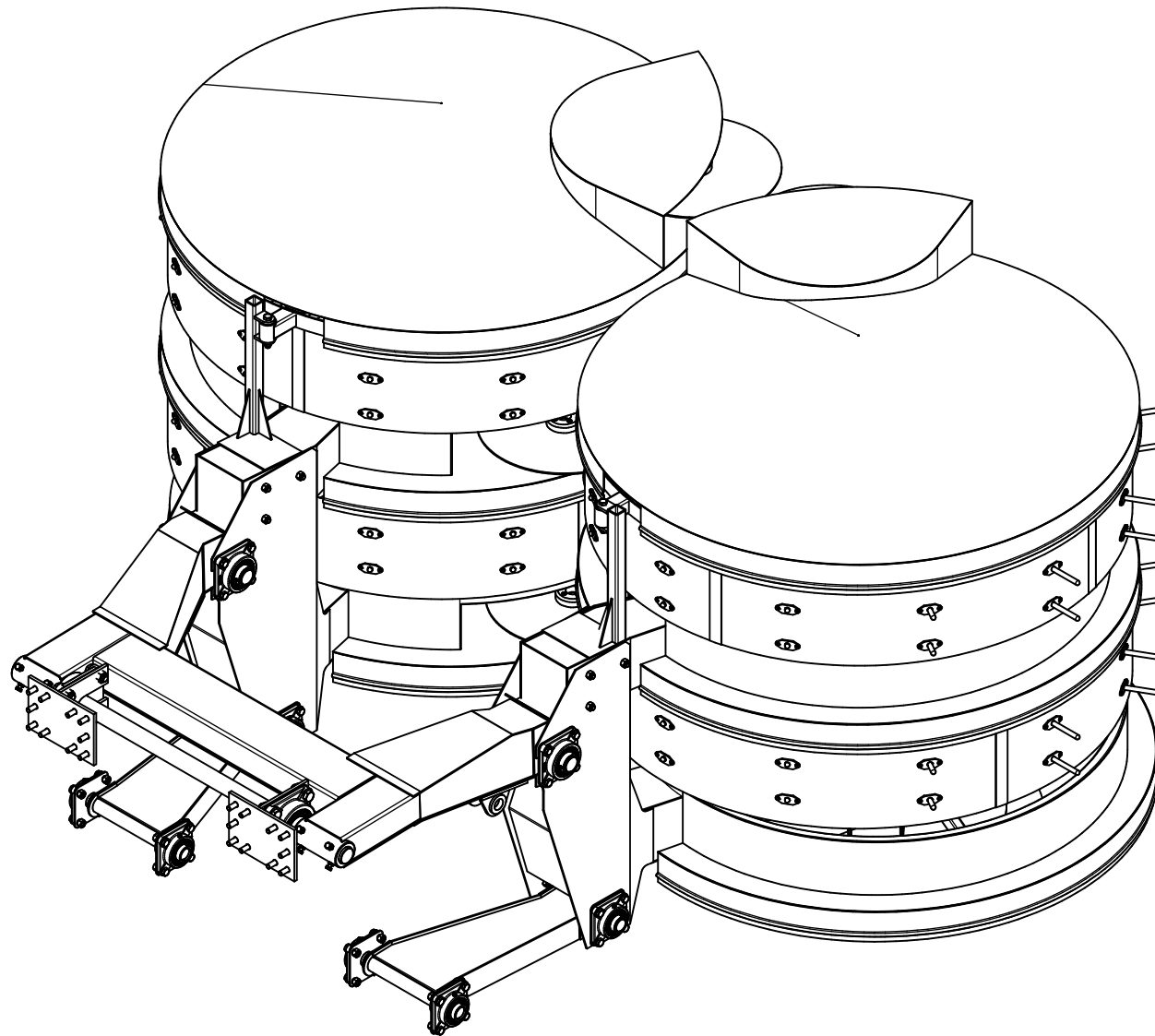
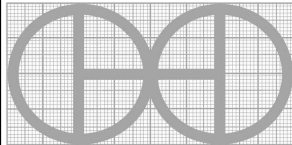


PROJECT	CREATED BY	APPROVED BY	DATE	VERSION
Vertical Drum Hemp Harvester	A. Morillo	D. Jaeger	12-04-2024	0.05
PART NAME	SPECIFICACIONES			CODE
3D views				A1
DEVELOPED BY	REDESIGNED BY	FILENAME	QTY	
		Vertical Drum Hemp Harvester.iam	1	
		LICENSE	DOC. TYPE	SCALE SHEET
Hanfasser		CC-BY-SA 4.0	Assembly	1 : 30 1 / 147

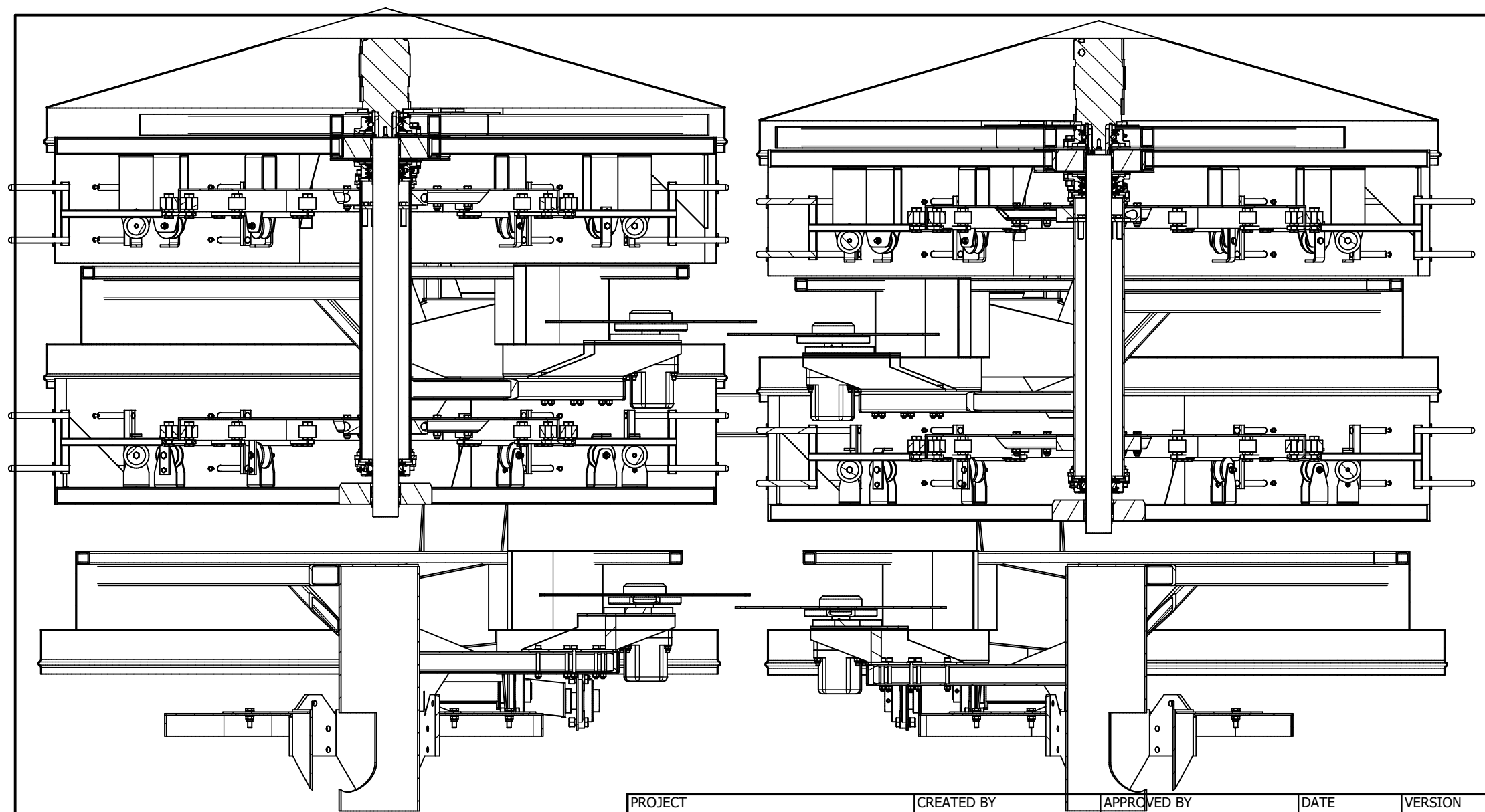


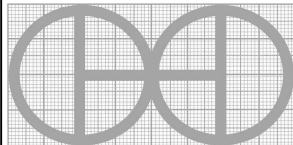
OHO e.V.



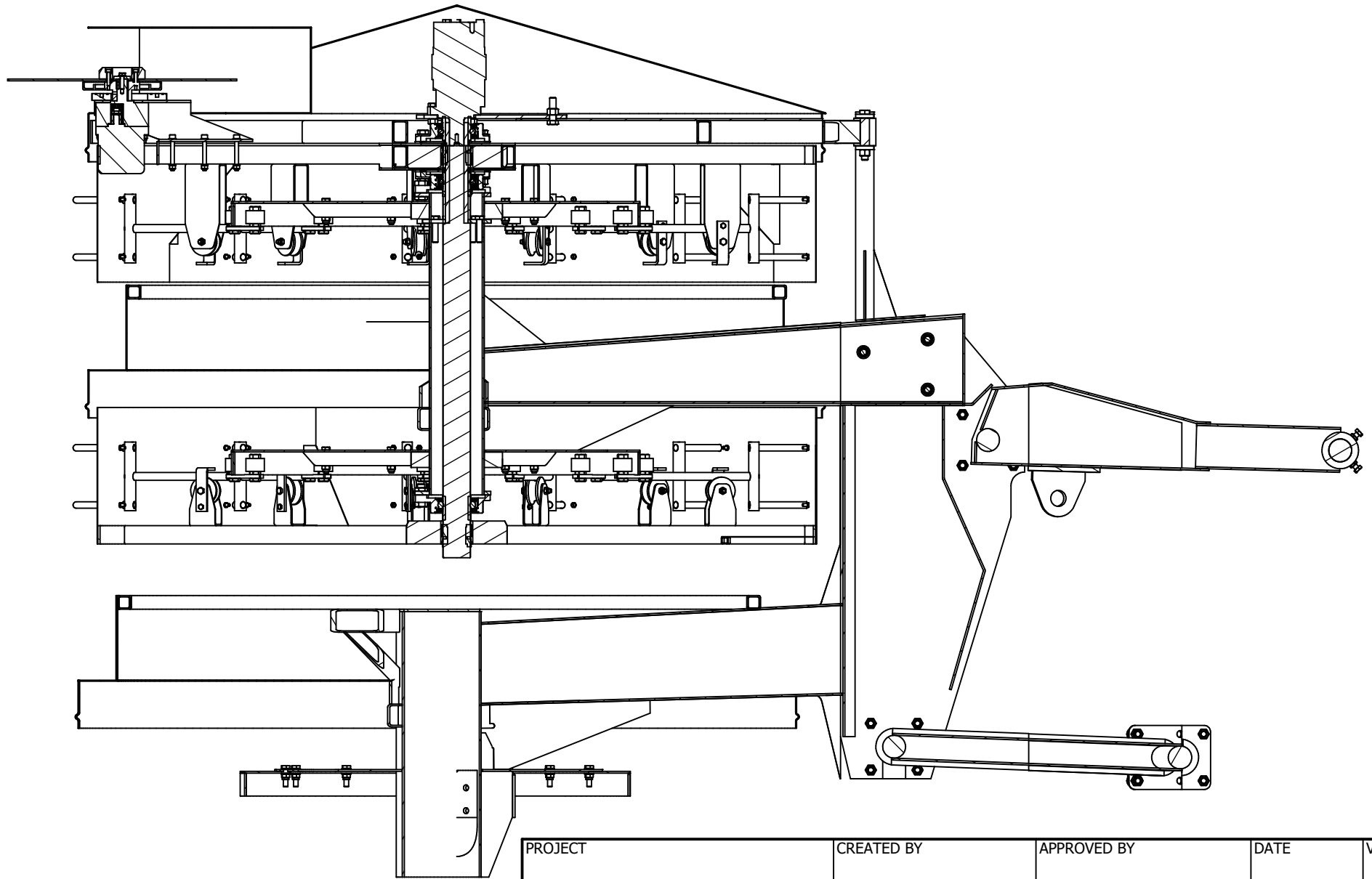
PROJECT	CREATED BY	APPROVED BY	DATE	VERSION
Vertical Drum Hemp Harvester	A. Morillo	D. Jaeger	12-04-2024	0.05
PART NAME	SPECIFICACIONES			CODE
3D views				A1
DEVELOPED BY	REDESIGNED BY	FILENAME	QTY	
		Vertical Drum Hemp Harvester.iam	1	
		LICENSE	DOC. TYPE	SCALE
Hanfasser		CC-BY-SA 4.0	Assembly	1 : 20
				SHEET
				2 / 147

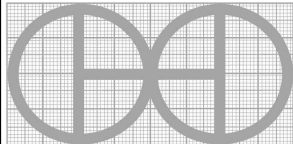
OHO e.V.

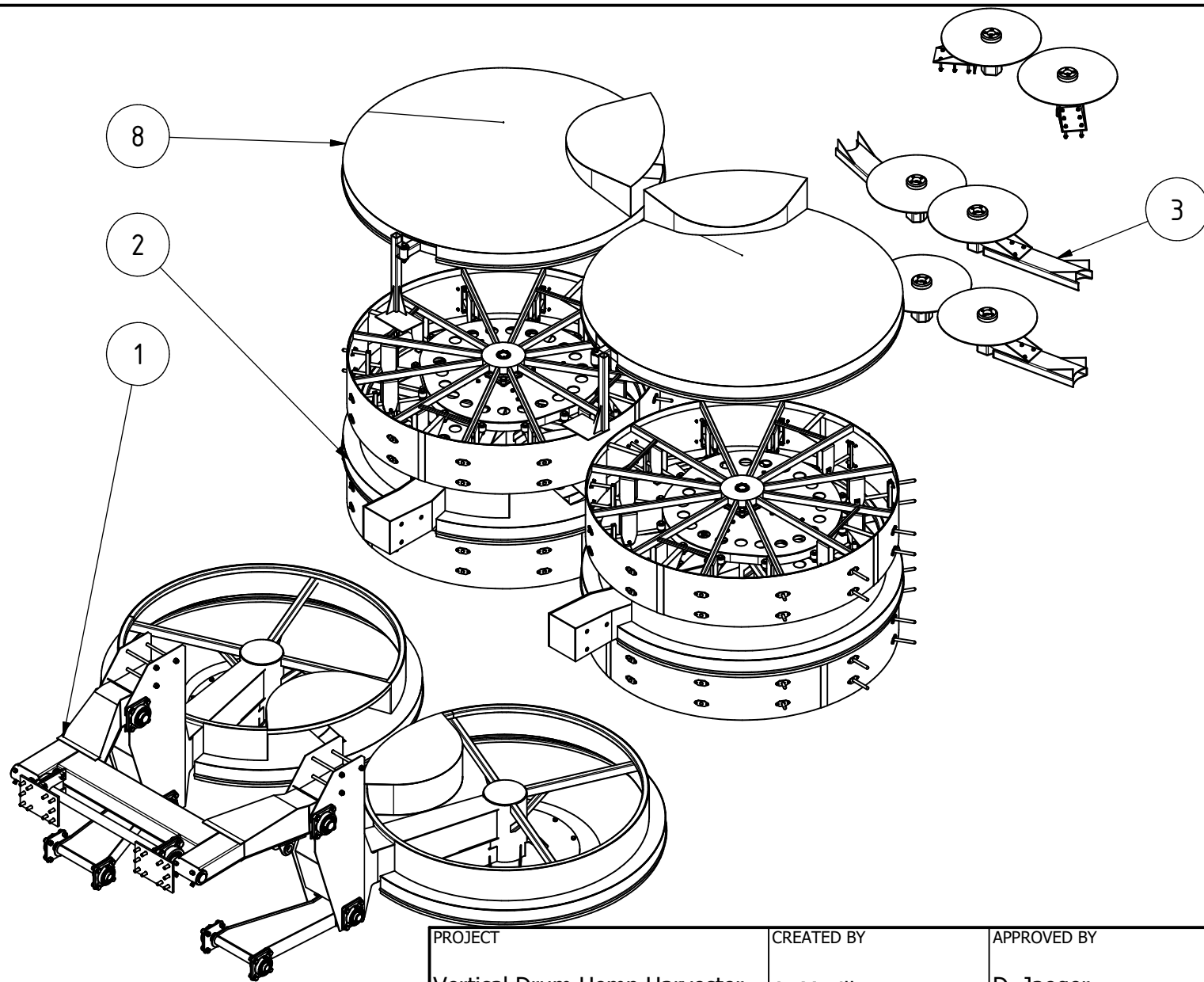


PROJECT	CREATED BY	APPROVED BY	DATE	VERSION	
Vertical Drum Hemp Harvester	A. Morillo	D. Jaeger	12-04-2024	0.05	
PART NAME	SPECIFICACIONES			CODE	
3D views				A1	
DEVELOPED BY	REDESIGNED BY	FILENAME	QTY		
		Vertical Drum Hemp Harvester.iam	1		
Hanfasser		LICENSE	DOC. TYPE	SCALE	SHEET
		CC-BY-SA 4.0	Assembly	1 : 12	3 / 147

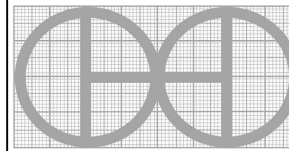
OHO e.V.



PROJECT	CREATED BY	APPROVED BY	DATE	VERSION
Vertical Drum Hemp Harvester	A. Morillo	D. Jaeger	12-04-2024	0.05
PART NAME	SPECIFICACIONES			CODE
3D views				A1
DEVELOPED BY	REDESIGNED BY	FILENAME	QTY	
		Vertical Drum Hemp Harvester.iam	1	
		LICENSE	DOC. TYPE	SHEET
Hanfasser		CC-BY-SA 4.0	Assembly	4 / 147
		OHO e.V.	SCALE	
			1 : 12	



PROJECT	CREATED BY	APPROVED BY	DATE	VERSION
Vertical Drum Hemp Harvester	A. Morillo	D. Jaeger	12-04-2024	0.05
PART NAME	SPECIFICACIONES			CODE
Explodewd view				A2
DEVELOPED BY	REDESIGNED BY	FILENAME		QTY
		Vertical Drum Hemp Harvester.ipn		1
		LICENSE	DOC. TYPE	SCALE
		CC-BY-SA 4.0	Assembly	1 : 25
				SHEET
				5 /147

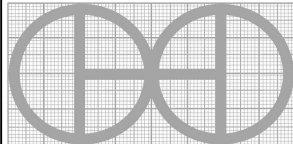


Hanfasser

OHO e.V.

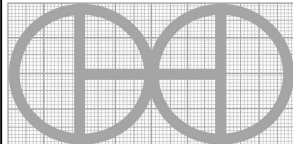
PARTS LIST

POS	QTY	PART NAME	FILE NAME	PART TYPE	SPECIFICATIONS	SHEET
A1	1	3D views	Vertical Drum Hemp Harvester.iam			1-4
A2	1	Explodewd view	Vertical Drum Hemp Harvester.ipn			5
B1		Parts list				6
B2		Parts list				7
B3		Parts list				8
B4		Parts list				9
B5		Parts list				10
B6		Parts list				11
B7		Parts list				12
B8		Parts list				13
1.0.0	1	Main frame base and parallelogram swing arm	1.iam			14
1.0.0	1	Main frame base and parallelogram swing arm	1.iam			15
1.0.0	1	Main frame base and parallelogram swing arm	1.iam			16
1.1.0	2	Main frame base	1.1.iam			17
1.1.0	2	Main frame base	1.1.iam			18
1.1.0	2	Main frame base	1.1.iam			19
1.1.1	2	Part 1.1.1	1.1.1.ipt	Production	Steel 235J2	20
1.1.2	2	Part 1.1.2	1.1.1.ipt	Production	Steel 235J2	21
1.1.3	2	Part 1.1.3	1.1.3.ipt	Production	Steel 235J2	22
1.1.4	2	Part 1.1.4	1.1.4.ipt	Production	Steel 235J2	23
1.1.5	2	Part 1.1.5	1.1.5.ipt	Production	Steel 235J2	24
1.1.7	2	Part 1.1.7_1	1.1.7_A.ipt	Production	Steel 235J2	25
1.1.8	4	Part 1.1.8	1.1.8.ipt	Production	Steel 235J2	26
1.1.9	2	Part 1.1.9	1.1.9.ipt	Production	Steel 235J2	27
1.1.10	2	Part 1.1.10	1.1.10.ipt	Production	Steel 235J2	28

PROJECT		CREATED BY	APPROVED BY	DATE	VERSION
Vertical Drum Hemp Harvester		A. Morillo	D. Jaeger	12-04-2024	0.05
PART NAME		SPECIFICACIONES			CODE
Parts list					B1
DEVELOPED BY		REDESIGNED BY	FILENAME		QTY
Hanfasser			OHO e.v.		
		LICENSE	DOC. TYPE	SCALE	SHEET
		CC-BY-SA 4.0	Parts list		6 /147

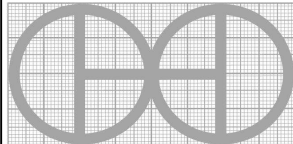
PARTS LIST

POS	QTY	PART NAME	FILE NAME	PART TYPE	SPECIFICATIONS	SHEET
1.1.11	4	Part 1.1.11	1.1.11.ipt	Production	Steel 235J2	29
1.1.12	4	Part 1.1.12	1.1.12.ipt	Production	Steel 235J2	30
1.1.13	2	Part 1.1.13	1.1.13.ipt	Production	Steel 235J2	31
1.1.14	6	Part 1.1.14	1.1.14.ipt	Production	Steel 235J2	32
1.1.15	8	Part 1.1.15	1.1.15.ipt	Production	Steel 235J2	33
1.1.15	8	Part 1.1.15	1.1.15.ipt	Production	Steel 235J2	34
1.1.15	8	Part 1.1.15	1.1.15.ipt	Production	Steel 235J2	35
1.1.16	2	Part 1.1.16	1.1.16.ipt	Production	Steel 235J2	36
1.1.17	24	Part 1.1.17		Standard	Hex bolt M10*40	
1.1.18	24	Part 1.1.18		Standard	Lock nut M10	
1.1.19	24	Part 1.1.19		Standard	Plain washer D11*20	
1.2.0	1	Upper handlebar	1.2.iam			37
1.2.0	1	Upper handlebar	1.2.ipn			38
1.2.1	1	Part 1.2.1	1.2.1.ipt	Production	Steel 235J2	39
1.2.2	2	Part 1.2.2	1.2.2.ipt	Production	Steel 235J2	40
1.2.3	2	Part 1.2.3	1.2.3.ipt	Production	Steel 235J2	41
1.2.4	2	Part 1.2.4	1.2.4.ipt	Production	Steel 235J2	42
1.2.5	1	Part 1.2.5	1.2.5.ipt	Production	Steel 235J2	43
1.2.6		Part 1.2.6	1.2.6.ipt	Production		44
1.2.6_C	2	Part 1.2.6_C	1.2.6_C.ipt	Production	Steel 235J2	45
1.2.7		Part 1.2.7	1.2.7.ipt	Production		46
1.2.7_C	2	Part 1.2.7_C	1.2.7_C.ipt	Production	Steel 235J2	47
1.2.8	2	Part 1.2.8	1.2.8.ipt	Production	Steel 235J2	48
1.2.9_1	2	Part 1.2.9_1	1.2.9.ipt	Production	Steel 235J2	49
1.2.9_2	2	Part 1.2.9_2	1.2.9_A.ipt	Production	Steel 235J2	50
1.2.10	4 (2A,2B)	Part 1.2.10	1.2.10.ipt	Production	Steel 235J2	51
1.2.11	4	Upper handlebar_part11	1.2.11.ipt	Production	Steel 235J2	52
1.2.12	2	Upper handlebar_part11	1.2.12.ipt	Production	Steel 235J2	53
1.2.13	2	Upper handlebar_part11	1.2.13.ipt	Production	Steel 235J2	54
1.3.0	1	Axle	1.3.ipt	Production	Steel 235J2	55

PROJECT		CREATED BY	APPROVED BY	DATE	VERSION
Vertical Drum Hemp Harvester		A. Morillo	D. Jaeger	12-04-2024	0.05
PART NAME		SPECIFICACIONES			CODE
Parts list					B2
DEVELOPED BY		REDESIGNED BY	FILENAME		QTY
Hanfasser			OHO e.V.		
		LICENSE	DOC. TYPE	SCALE	SHEET
		CC-BY-SA 4.0	Parts list		7 /147

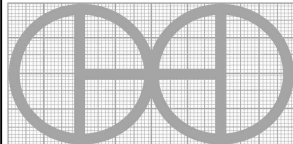
PARTS LIST

POS	QTY	PART NAME	FILE NAME	PART TYPE	SPECIFICATIONS	SHEET
1.4.0	4	Flange bearing UCF 310		Buy	UCF 310	
1.5.0	2	Lower control arm	1.5.iam			56
1.5.0	2	Lower control arm	1.5.ipn			57
1.5.1	2	Part 1.5.1	1.5.1.ipt	Production	Steel 235J2	58
1.5.3	8	Part 1.5.3	1.5.3.ipt	Production	Steel 235J2	59
1.5.4	2	Part 1.5.4	1.5.4.ipt	Production	Steel 235J2	60
1.5.5	8	Part 1.5.5	1.5.5.ipt	Production	Steel 235J2	61
1.5.6	2	Part 1.5.6	1.5.6.ipt	Production	Steel 235J2	62
1.5.7	2	Part 1.5.7	1.5.7.ipt	Production	Steel 235J2	63
1.6.0	8	Flange bearing UCF 208		Buy	UCF 208	
1.7.0	8	Reinforcement plate 2	1.7.ipt	Production	Steel 235J2, For Bearing UCF 208	64
1.8.0	4	Reinforcement plate	1.8.ipt	Production	Steel 235J2, for bearing UCF 210	65
1.9.0	4	Reinforcement plate	1.9.ipt	Production	Steel 235J2, for bearing UCF 310	66
1.10.0	4	Flange bearing UCF 210		Buy	UCF 210	
1.11.0	2	Bracket for flange mounting	1.11.iam			67
1.11.0	2	Bracket for flange mounting	1.11.ipn			68
1.11.1	2	Part 1.11.1	1.11.1.ipt	Production	Steel 235J2	69
1.11.2	2	Part 1.11.2	1.11.2.ipt	Production	Steel 235J2	70
1.12.0	8	Screw M16		Standard	M20*55	
1.13.0	68	Screw M14		Standard	M14*45	
1.16.0	8	Clamping screw		Standard	M10*30	
1.17.0	8	Hex nut M20		Standard	M20	
1.18.0	8	Hex nut M10		Standard	M10	
1.20.0	60	Hex nut M14		Standard	M14	
1.24.0	6	Thread M14	1.24.ipt	Production	M14*240	71
1.25.0	2	Feeding drums 1	1.25.iam			72
1.25.0	2	Feeding drums 1	1.25.ipn			73
1.25.1	2	Part 1.25.1	1.25.1.ipt	Production	Steel 235J2	74
1.25.3	2	Part 1.25.3	1.25.3.ipt	Production	Steel 235J2	75
1.25.4	2	Part 1.25.4	1.25.4.ipt	Production	Steel 235J2	76
1.25.5	2	Part 1.25.5	1.25.5.ipt	Production	Steel 235J2	77

PROJECT		CREATED BY	APPROVED BY	DATE	VERSION
Vertical Drum Hemp Harvester		A. Morillo	D. Jaeger	12-04-2024	0.05
PART NAME		SPECIFICACIONES			CODE
Parts list					B3
DEVELOPED BY		REDESIGNED BY	FILENAME		QTY
Hanfasser			OHO e.V.		
		LICENSE	DOC. TYPE	SCALE	SHEET
		CC-BY-SA 4.0	Parts list		8 /147

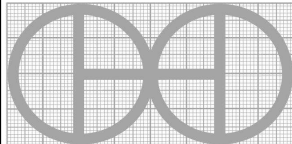
PARTS LIST

POS	QTY	PART NAME	FILE NAME	PART TYPE	SPECIFICATIONS	SHEET
1.25.6	6	Part 1.25.6	1.25.6.ipt	Production	Steel 235J2, rectangle profile 50*30*3	78
1.25.7	2	Part 1.25.7	1.25.7.ipt	Production	Steel 235J2, square profile 30*30*3	79
1.25.8	6	Part 1.25.8	1.25.8.ipt	Production	Steel 235J2, square profile 30*30*3	80
2.0.0	2	Main frame top cpl with attachments	2.iam			81
2.0.0	2	Main frame top cpl with attachments	2.iam			82
2.0.0	2	Main frame top cpl with attachments	2.ipn			83
2.1.0	2	Main frame top	2.1.iam			84
2.1.0	2	Main frame top	2.1.ipn			85
2.1.1	4	Part 2.1.1	2.1.1.ipt	Production	Steel 235J2	86
2.1.2	2	Part 2.1.2	2.1.2.ipt	Production	Steel 235J2	87
2.1.3	2	Part 2.1.3	2.1.3.ipt	Production	Steel 235J2	88
2.1.4	2	Part 2.1.4	2.1.4.ipt	Production	Steel 235J2	89
2.1.5	2	Part 2.1.5	2.1.5.ipt	Production	Steel 235J2	90
2.1.6	4	Part 2.1.6	2.1.6.ipt	Production	Steel 235J2	91
2.1.7	4	Part 2.1.7	2.1.7.ipt	Production	Steel 235J2	92
2.1.8	4	Part 2.1.8	2.1.8.ipt	Production	Steel 235J2	93
2.1.9	4	Part 2.1.9	2.1.9.ipt	Production	Cast iron (*)	94
2.1.10	8	Part 2.1.10	2.1.10.ipt	Production	Steel 235J2	95
2.1.11	6	Part 2.1.11	2.1.11.ipt	Production	Steel 235J2	96
2.1.12	8	Part 2.1.12	2.1.12.ipt	Production	Steel 235J2	97
2.1.13	32	Part 2.1.13		Standard	Hex bolt M10*50	
2.1.14	8	Part 2.1.14		Standard	Lock nut M10	
2.1.15	8	Part 2.1.15		Standard	Hexagon bolt M12*65	
2.1.16	32	Part 2.1.16		Standard	Lock nut M12	
2.1.17	4	Part 2.1.17	2.1.17.ipt	Production	Steel 235J2	98
2.1.18	4	Part 2.1.18	2.1.18.ipt	Production	Steel 235J2	99
2.4.0	4	Clamping set		Buy	Clampex KTR 200_TLK 130 40 x 65	
2.5.0	4	Flange bearing		Buy	UCF 210	

PROJECT		CREATED BY		APPROVED BY		DATE		VERSION	
Vertical Drum Hemp Harvester		A. Morillo		D. Jaeger		12-04-2024		0.05	
PART NAME				SPECIFICACIONES				CODE	
Parts list								B4	
DEVELOPED BY			REDESIGNED BY			FILENAME			QTY
Hanfasser						OHO e.V.			
LICENSE		DOC. TYPE		SCALE		SHEET			
CC-BY-SA 4.0		Parts list				9 / 147			

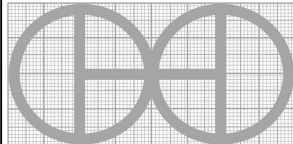
PARTS LIST

POS	QTY	PART NAME	FILE NAME	PART TYPE	SPECIFICATIONS	SHEET
2.6.0	2	Axle for drum mounting diam. 40	2.6.ipt	Production	Steel 235J2	100
2.8.0	96	Sliding piece		Buy	Follower roller, De:40mm, h:28mm	
2.9.0	48	Tine fork	2.9.iam			101
2.9.0	48	Tine fork	2.9.ipn			102
2.9.1	48	Part 2.9.1	2.9.1.ipt	Production	Steel 235J2	103
2.9.2	48	Part 2.9.2	2.9.2.ipt	Production	Steel 235J2	104
2.9.3	48	Part 2.9.3	2.9.3.ipt	Production	Steel 235J2	105
2.10.0	48	Tine bush		Buy	Tine bush, Aluminum (*)	
2.11.0	96	Tines	2.11.ipt	Production	D: 14mm, L: 144mm, Steel 235J2	106
2.12.0	96	Hexagon nut M14		Standard	M14	
2.13.0	48	Hexagon bolt M14_50		Standard	Hexagon bolt M14*50	
2.16.0	192	Hexagon nut M 6		Standard	M6	
2.17.0	192	Phillips screw M6x20.		Standard	M6 x 20	
2.20.0	2	Feed drum_center cpl	2.20.iam			107
2.20.0	2	Feed drum_center cpl	2.20.ipn			108
2.20.1	24	Part 2.20.1	2.20.1.ipt	Production	Steel 235J2	109
2.20.2	2	Part 2.20.2	2.20.2.ipt	Production	Steel 235J2	110
2.20.3	8	Part 2.20.3	2.20.3.ipt	Production	Steel 235J2	111
2.20.4	2	Part 2.20.4	2.20.4.ipt	Production	Cast iron (*)	112
2.20.5	8	Part 2.20.5	2.20.5.ipt	Production	Steel 235J2	113
2.20.6	8	Part 2.20.6	2.20.6.ipt	Production	Steel 235J2	114
2.20.7	24	Part 2.20.7		Standard	Lock nut M8	
2.20.8	24	Part 2.20.8	2.20.8.ipt	Production	Steel 235J2	115
2.20.9	24	Part 2.20.9		Buy	Wheel, Diameter 60, thickness 26, Hole: 8, Nylon or Teflon (*)	
2.20.10	24	Part 2.20.10	2.20.10.ipt	Production	Steel 235J2	116
2.20.11	24	Part 2.20.11		Standard	Hex bolt M8*60	

PROJECT		CREATED BY	APPROVED BY	DATE	VERSION
Vertical Drum Hemp Harvester		A. Morillo	D. Jaeger	12-04-2024	0.05
PART NAME		SPECIFICACIONES			CODE
Parts list					B5
DEVELOPED BY		REDESIGNED BY	FILENAME		QTY
Hanfasser			OHO e.V.		
		LICENSE	DOC. TYPE	SCALE	SHEET
		CC-BY-SA 4.0	Parts list		10 /147

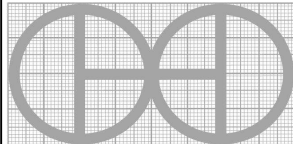
PARTS LIST

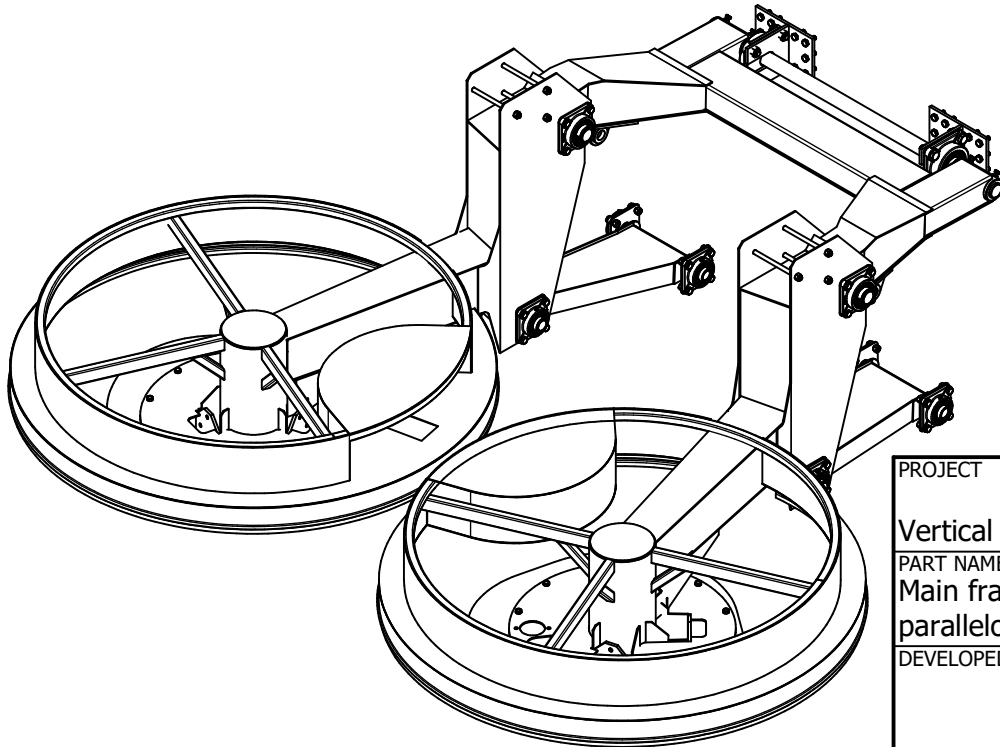
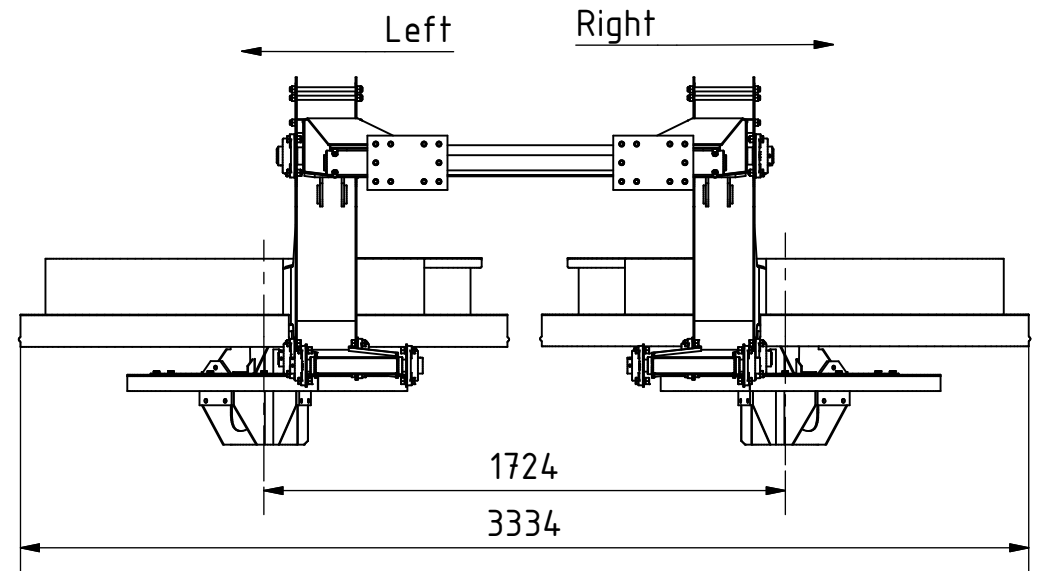
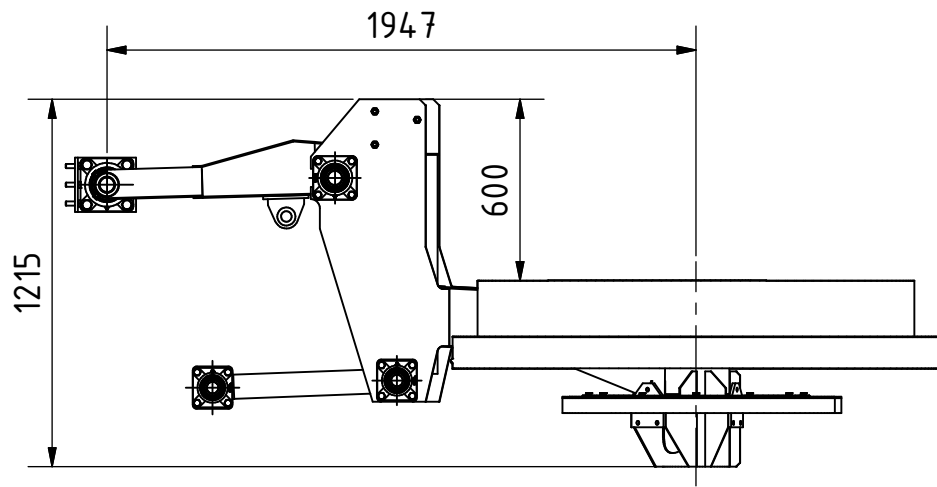
POS	QTY	PART NAME	FILE NAME	PART TYPE	SPECIFICATIONS	SHEET
2.20.12	24	Part 2.20.12		Standard	Hex bolt M6*16	
2.20.13	24	Part 2.20.13		Standard	Hex nut M6	
2.21.0	2	Feed drum_top cpl	2.21.iam			117
2.21.0	2	Feed drum_top cpl	2.21.ipn			118
2.21.1	24	Part 2.21.1	2.21.1.ipt	Production	Steel 235J2	119
2.21.2	2	Part 2.21.2	2.21.2.ipt	Production	Steel 235J2	120
2.21.3	8	Part 2.21.3	2.21.3.ipt	Production	Steel 235J2	121
2.21.4	2	Part 2.21.4	2.21.4.ipt	Production	Cast Iron (*)	122
2.21.5	8	Part 2.21.5	2.21.5.ipt	Production	Steel 235J2	123
2.21.6	8	Part 2.21.6	2.21.6.ipt	Production	Steel 235J2	124
2.21.7	24	Part 2.21.7		Standard	Lock nut M8	
2.21.8	24	Part 2.21.8	2.21.8.ipt	Production	Steel 235J2	125
2.21.9	24	Part 2.21.9		Buy	Wheel, Diameter 60, thickness 26, Hole: 8, Nylon or Teflon (*)	
2.21.10	24	Part 2.21.10	2.21.10.ipt	Production	Steel 235J2	126
2.21.11	24	Part 2.21.11		Standard	Hex bolt M8*60	
2.21.12	24	Part 2.21.12		Standard	Hex bolt M6*16	
2.21.13	24	Part 2.21.13		Standard	Hex nut M6	
2.22.0	16	Hexagon head screw M 16		Standard	Hex bolt M16*40	
2.23.0	16	Hexagon nut M16		Standard	Hexagon nut M16, DIN 439-2	
2.24.0	2	Feeding drums 2	2.24.iam			127
2.24.0	2	Feeding drums 2	2.24.ipn			128
2.24.1	2	Part 2.24.1	2.24.1.ipt	Production	Steel 235J2	129
2.24.3	2	Part 2.24.3	2.24.3.ipt	Production	Steel 235J2	130
2.24.4	2	Part 2.24.4	2.24.4.ipt	Production	Steel 235J2	131
2.24.5	2	Part 2.24.5	2.24.5.ipt	Production	Steel 235J2	132
2.24.6	6	Part 2.24.6	2.24.6.ipt	Production	Steel 235J2, rectangle profile 50*30*3	133
2.24.7	2	Part 2.24.7	2.24.7.ipt	Production	Steel 235J2, square profile 30*30*3	134
2.24.8	6	Part 2.24.8	2.24.8.ipt	Production	Steel 235J2, square profile 30*30*3	135
3.0.0	6	Circular saws	3.iam			136-138

PROJECT		CREATED BY	APPROVED BY	DATE	VERSION
Vertical Drum Hemp Harvester		A. Morillo	D. Jaeger	12-04-2024	0.05
PART NAME		SPECIFICACIONES			CODE
Parts list					B6
DEVELOPED BY		REDESIGNED BY	FILENAME		QTY
Hanfasser			OHO e.V.		
		LICENSE	DOC. TYPE	SCALE	SHEET
		CC-BY-SA 4.0	Parts list		11 /147

PARTS LIST

POS	QTY	PART NAME	FILE NAME	PART TYPE	SPECIFICATIONS	SHEET
3.1.0	6	Circular saw fastening lower part	3.1.ipt	Production	Steel 235J2	139
3.2.0	6	Motor mounting plate	3.2.ipt	Production	Steel 235J2	140
3.3.0	6	Console for circular saw	3.3.iam	Production	Steel 235J2	141
3.3.0	6	Console for circular saw	3.3.ipn	Production	Steel 235J2	142
3.3.1	12	Plate 3.3.1	3.3.1.ipt	Production	Steel 235J2	143
3.3.2	6	Plate 3.3.2	3.3.2.ipt	Production	Steel 235J2	144
3.3.3	6	Plate 3.3.3	3.3.3.ipt	Production	Steel 235J2	145
3.4.0	6	Circular saw attachment upper part	3.4.ipt	Production	Steel 235J2	146
3.5.0	6	U Washer	3.5.ipt	Production	Steel 235J2	147
3.6.0	6	Bearing support		Buy	Front bearing cpl. SUR/2 Shaft diam. 22. Includes Angular contact ball bearing 3208 B 2 RSR TVH	
3.7.0	6	Gear motor		Buy	KV 2 M/17-K 1:8 D=36,5	
3.8.0	6	Clutch hub		Buy	BF 2T Z=15 (1 :8)	
3.9.0	6	Hex Nut		Standard	M12	
3.10.0	6	Flat washer		Standard	for M12	
3.11.0	6	Circular saw blade		Buy	type 05 carbide tipped diam. 500 Z 144	
3.12.0	24	Lock Nut		Standard	M8, DIN 6924	
3.13.0	6	Parallel key		Standard	6x	
3.14.0	24	Hex socket screw		Standard	M8x100	
3.15.0	6	Hex bolt		Standard	M8x30	
3.16.0	24	Socket Hex bolt		Standard	M6x30	
3.17.0	24	Socket Hex bolt		Standard	M8x70	
3.18.0	24	Hex Nut		Standard	M8	
3.19.0	40	Plain washer		Standard	For M8	
3.20.0	24	Spring Washer		Standard	Din 127 A8	

PROJECT		CREATED BY		APPROVED BY		DATE		VERSION	
Vertical Drum Hemp Harvester		A. Morillo		D. Jaeger		12-04-2024		0.05	
PART NAME			SPECIFICACIONES					CODE	
								B7	
DEVELOPED BY			REDESIGNED BY		FILENAME				QTY
Hanfasser					OHO e.V.				
LICENSE		DOC. TYPE		SCALE		SHEET			
CC-BY-SA 4.0		Parts list				12 /147			

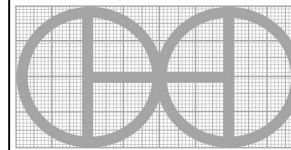


(*)

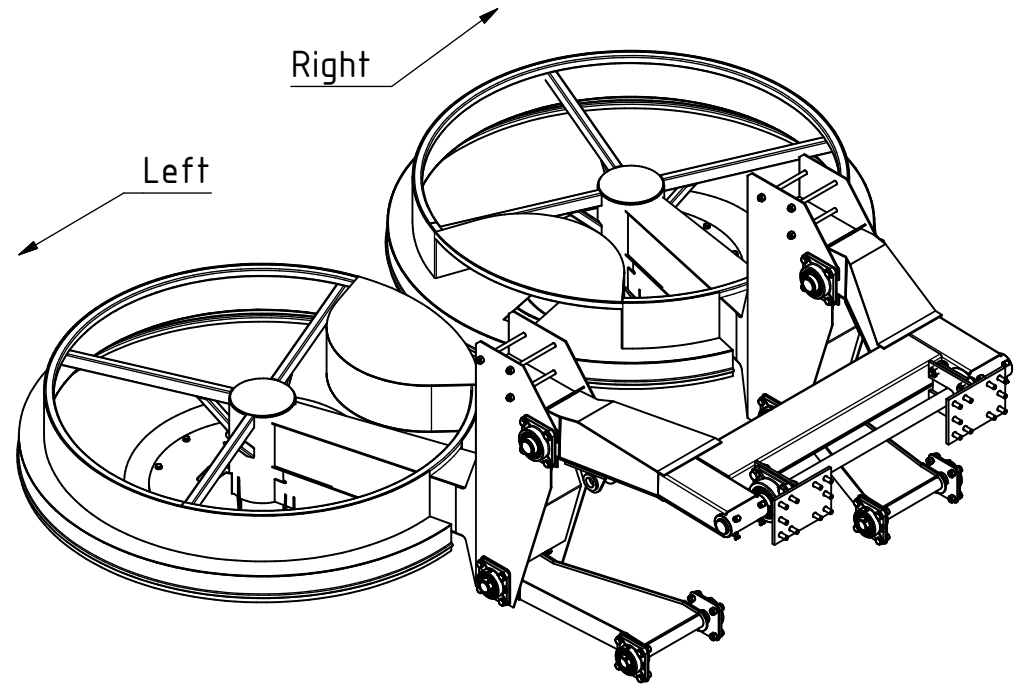
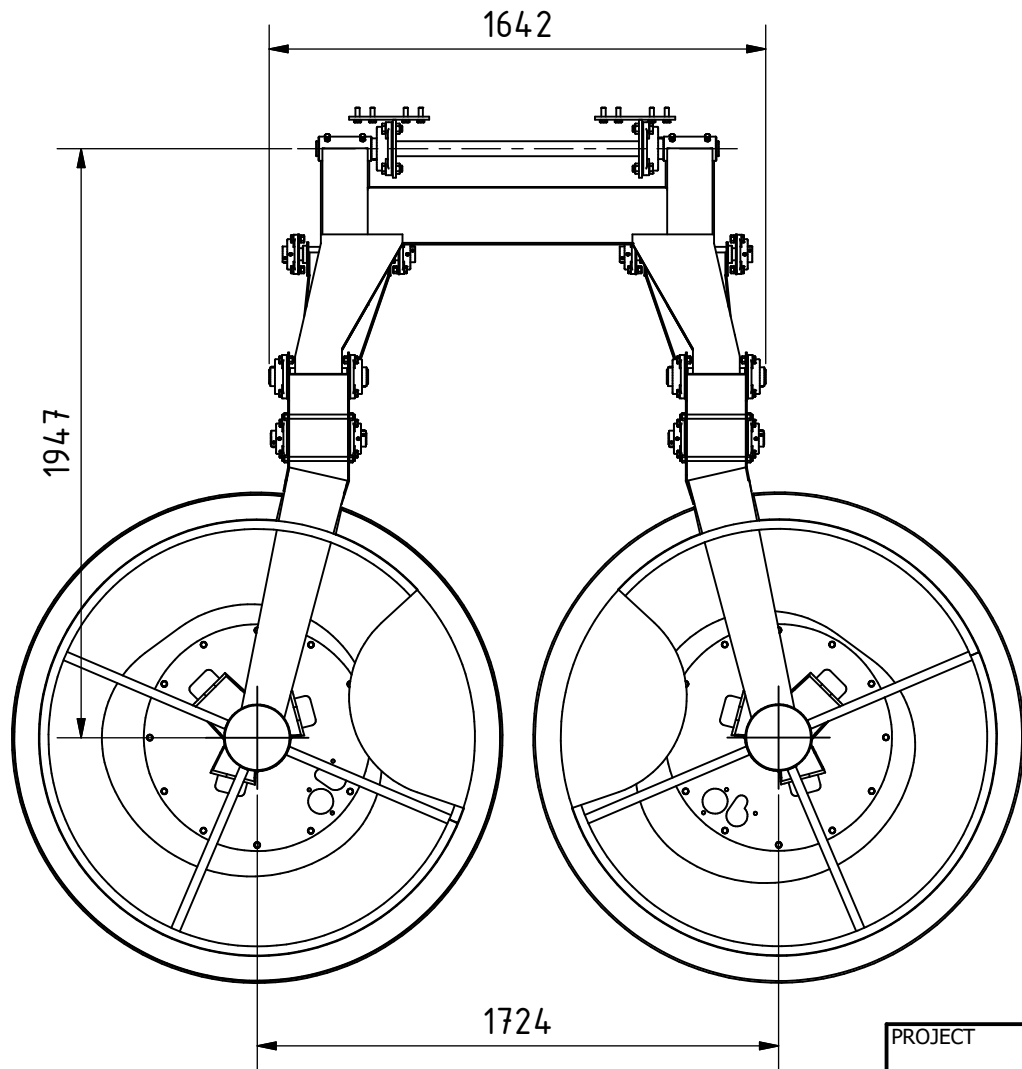
- Some parts from the original catalog were not included here because they were not seen in the existing equipment.
- Other pieces were reorganized in sub-assemblies, to expedite the work with the CAD program (few cases).
- Some parts and assemblies have been adjusted to avoid interference conflicts and to match the received measurements as closely as possible

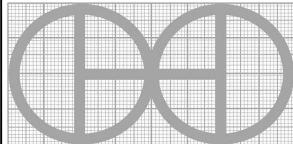
PROJECT	CREATED BY	APPROVED BY	DATE	VERSION
Vertical Drum Hemp Harvester	A. Morillo	D. Jaeger	12-04-2024	0.05
PART NAME	SPECIFICACIONES			CODE
Main frame base and parallelogram swing arm				1.0.0
DEVELOPED BY	REDESIGNED BY	FILENAME		QTY
		1.iam		1
		LICENSE	DOC. TYPE	SCALE
		CC-BY-SA 4.0	Assembly	1 : 25
				SHEET
				14 / 147

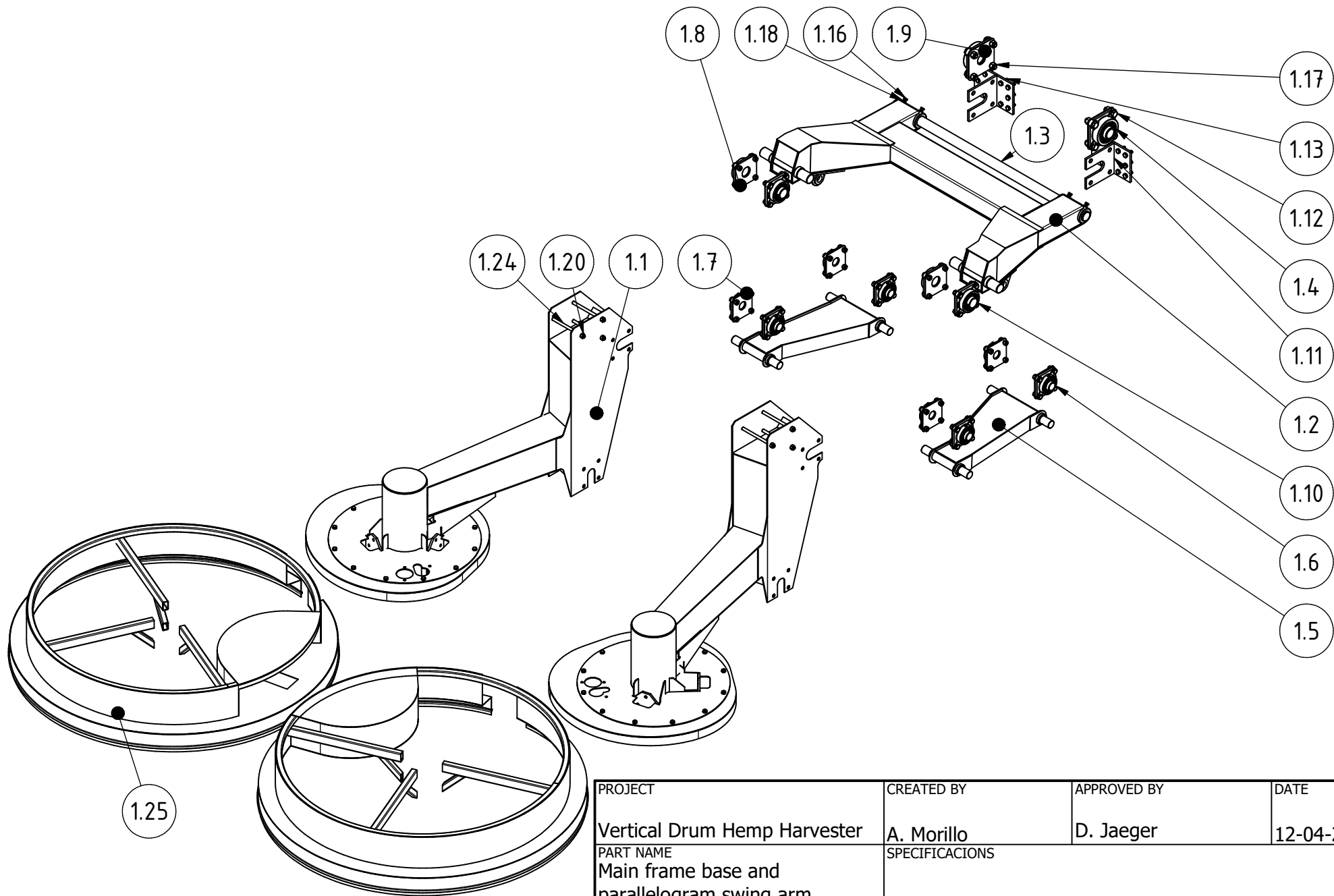
Hanfasser

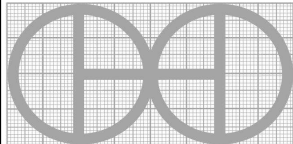


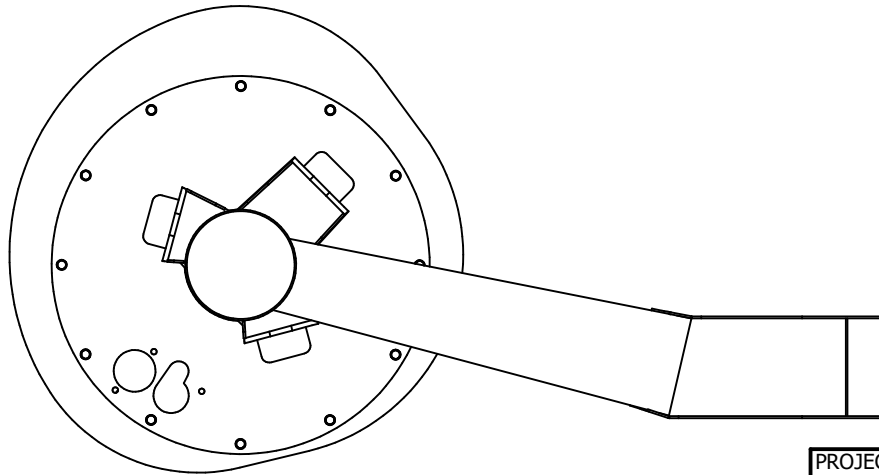
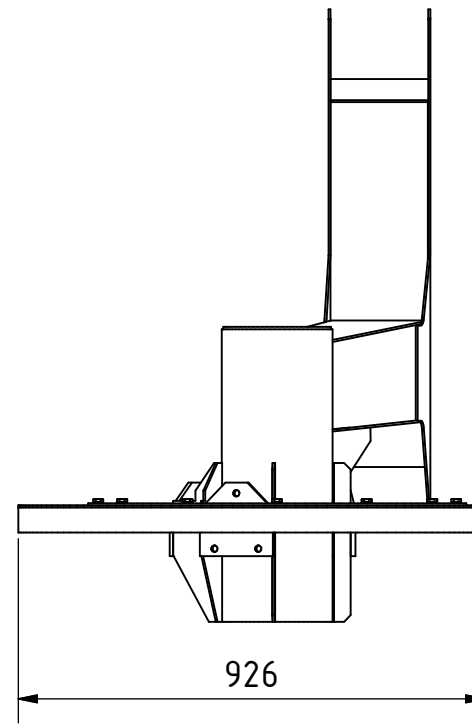
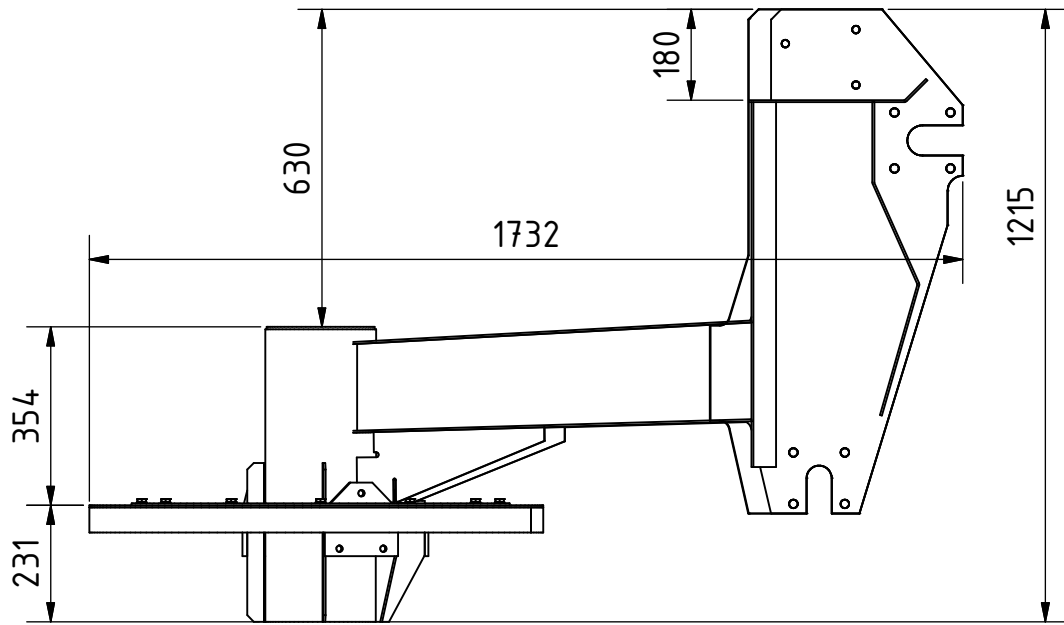
OHO e.V.



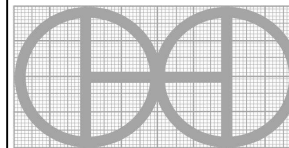
PROJECT	CREATED BY	APPROVED BY	DATE	VERSION
Vertical Drum Hemp Harvester	A. Morillo	D. Jaeger	12-04-2024	0.05
PART NAME	SPECIFICACIONES			CODE
Main frame base and parallelogram swing arm				1.0.0
DEVELOPED BY	REDESIGNED BY	FILENAME	QTY	
		1.iam	1	
		LICENSE	DOC. TYPE	SCALE
Hanfasser		CC-BY-SA 4.0	Assembly	1 : 25
				SHEET
				15 /147



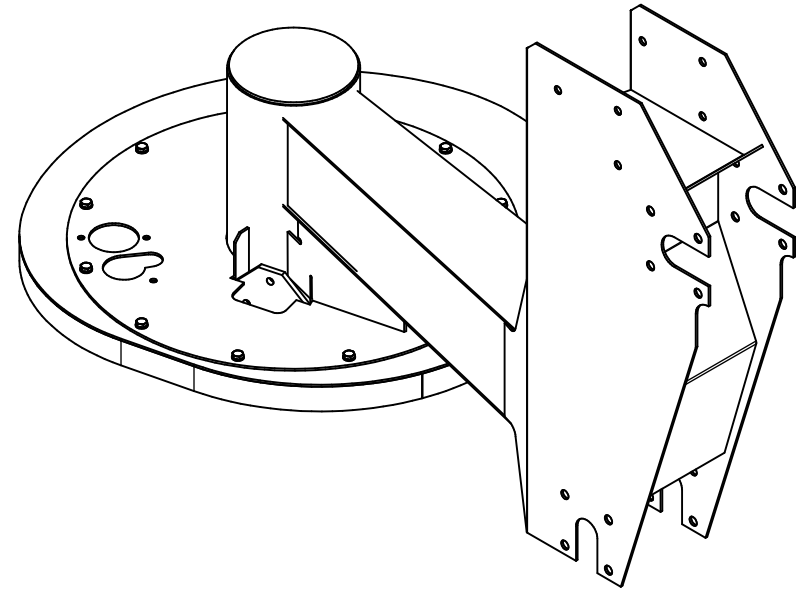
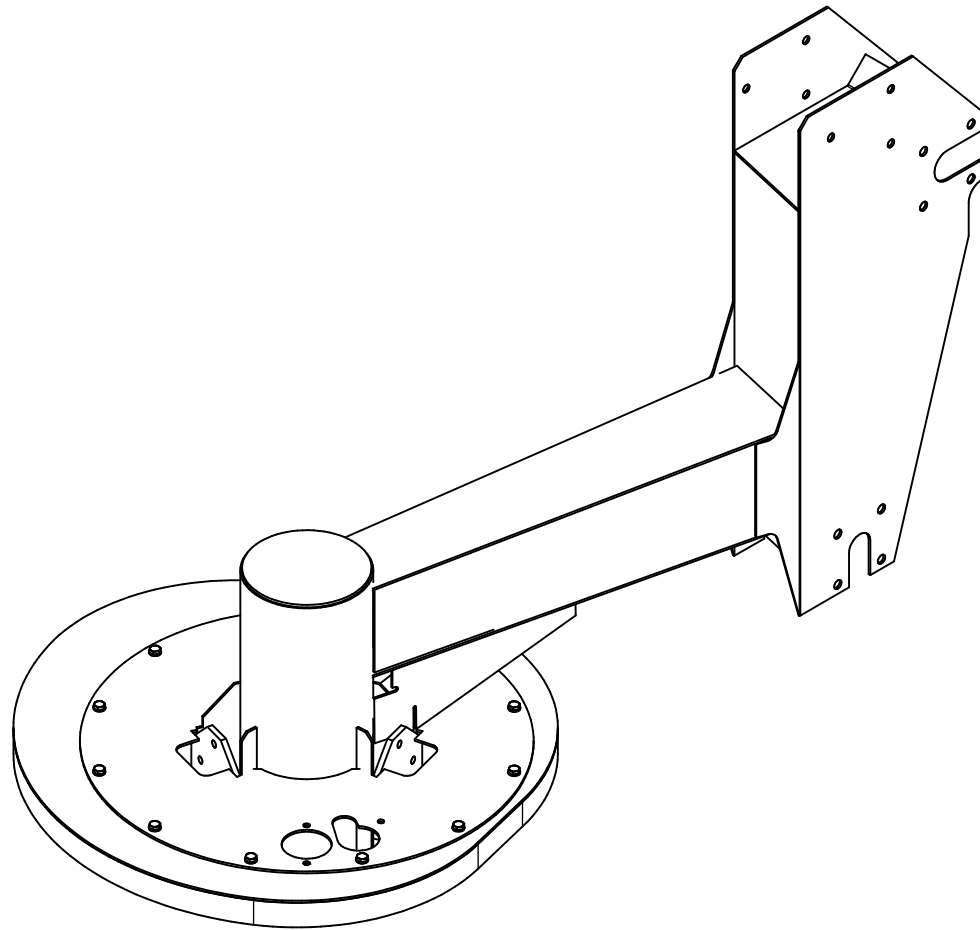
PROJECT		CREATED BY		APPROVED BY		DATE		VERSION	
Vertical Drum Hemp Harvester		A. Morillo		D. Jaeger		12-04-2024		0.05	
PART NAME		SPECIFICACIONES						CODE	
Main frame base and parallelogram swing arm								1.0.0	
DEVELOPED BY		REDESIGNED BY		FILENAME		QTY			
Hanfasser				1.iam		1			
		OHO e.V.		LICENSE		DOC. TYPE		SCALE	
		CC-BY-SA 4.0		Assembly		1 : 25		16 /147	



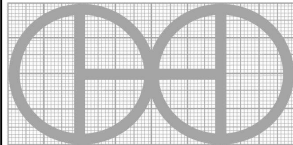
PROJECT	CREATED BY	APPROVED BY	DATE	VERSION
Vertical Drum Hemp Harvester	A. Morillo	D. Jaeger	12-04-2024	0.05
PART NAME	SPECIFICACIONES			CODE
Main frame base				1.1.0
DEVELOPED BY	REDESIGNED BY	FILENAME		QTY
		1.1.iam		2
		LICENSE	DOC. TYPE	SCALE
Handfasser		CC-BY-SA 4.0	Assembly	1 : 15
				17 /147



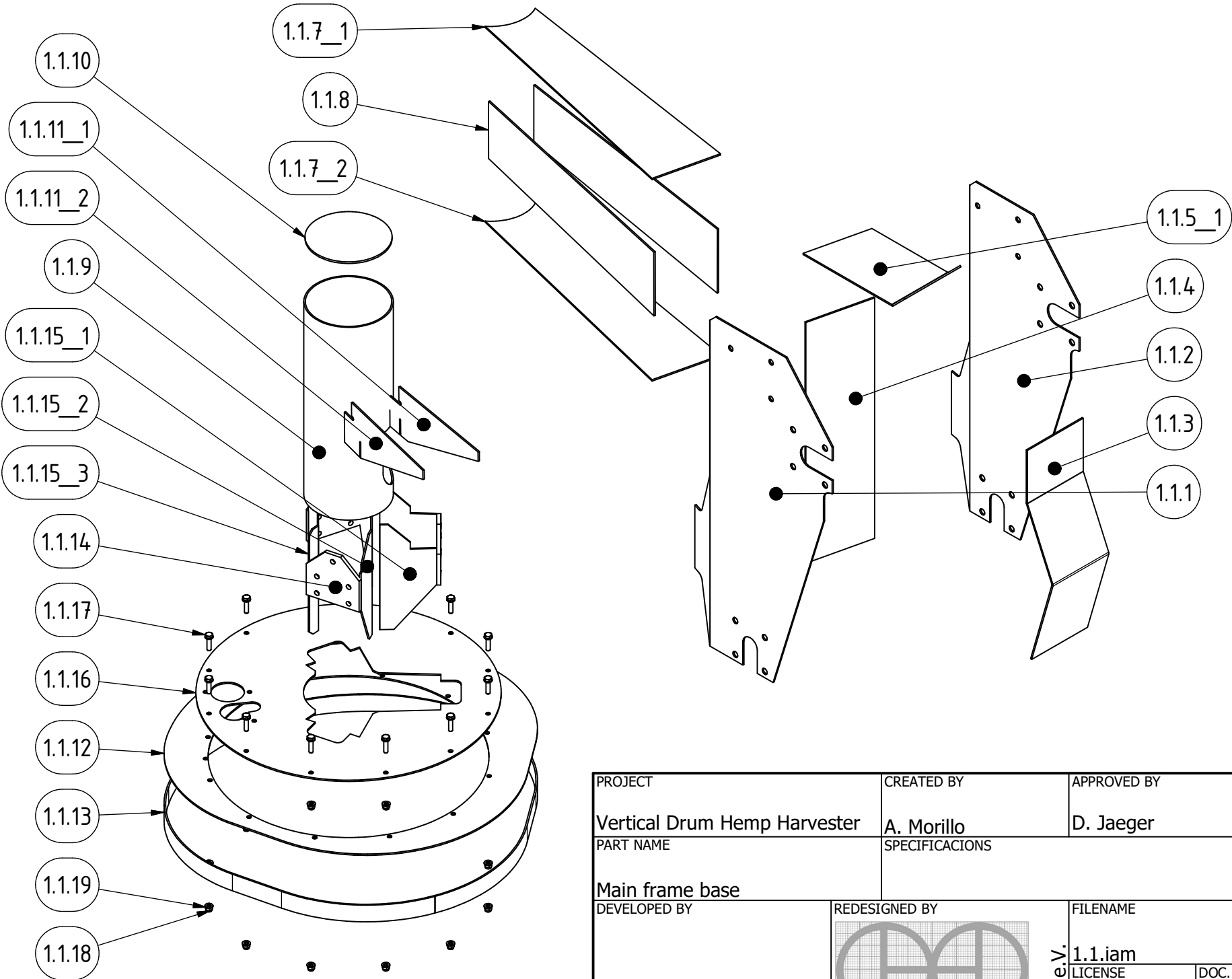
OHO e.V.

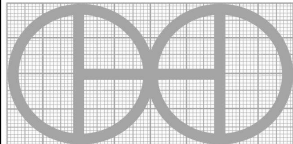


Symmetrical set

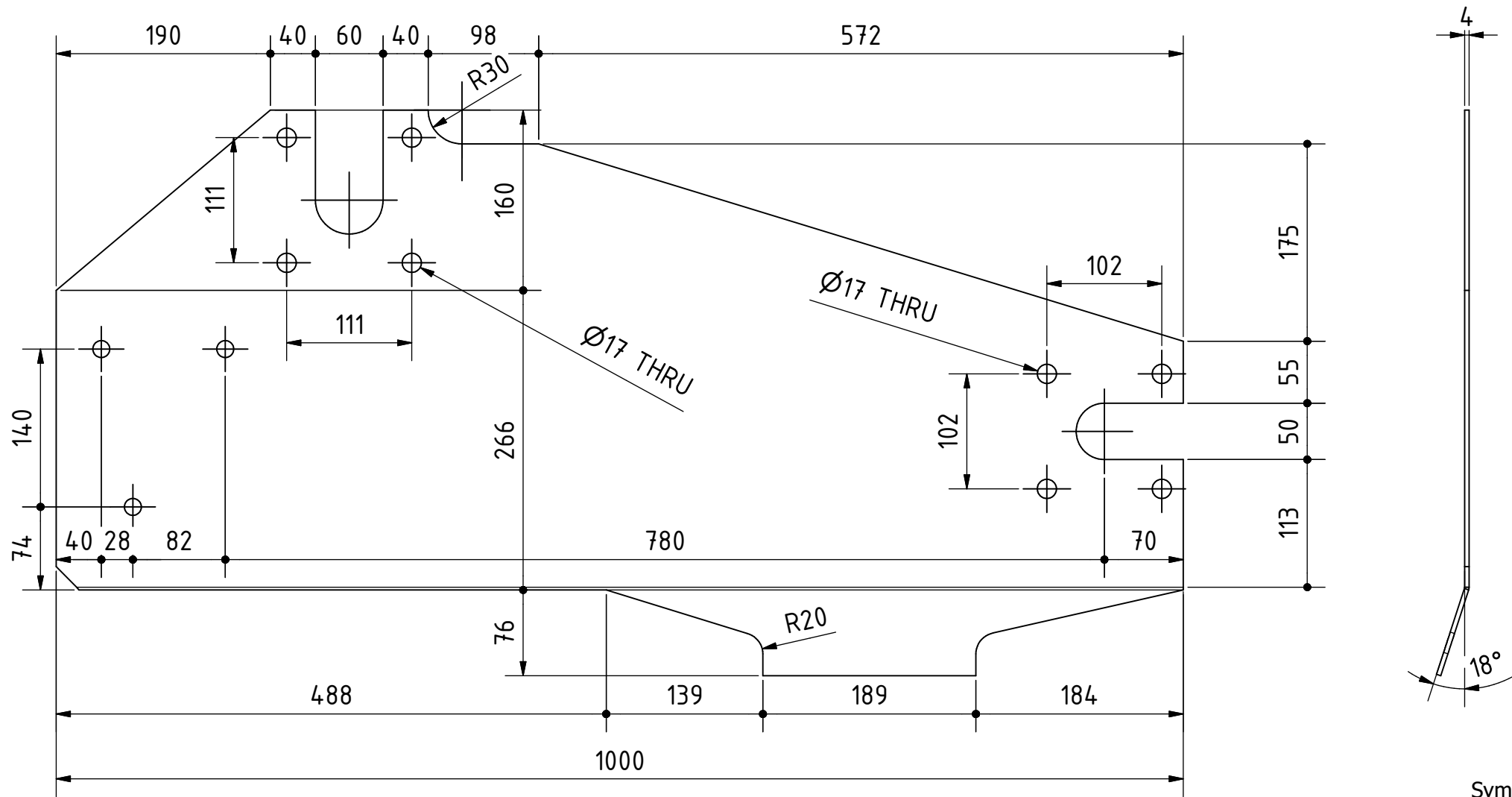
PROJECT	CREATED BY	APPROVED BY	DATE	VERSION
Vertical Drum Hemp Harvester	A. Morillo	D. Jaeger	12-04-2024	0.05
PART NAME	SPECIFICACIONES			CODE
Main frame base				1.1.0
DEVELOPED BY	REDESIGNED BY	FILENAME		QTY
		1.1.iam		2
Hanfasser		LICENSE	DOC. TYPE	SHEET
		CC-BY-SA 4.0	Assembly	18 /147
			SCALE	
			1 : 15	

OHO e.V.

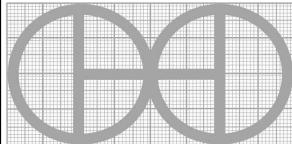


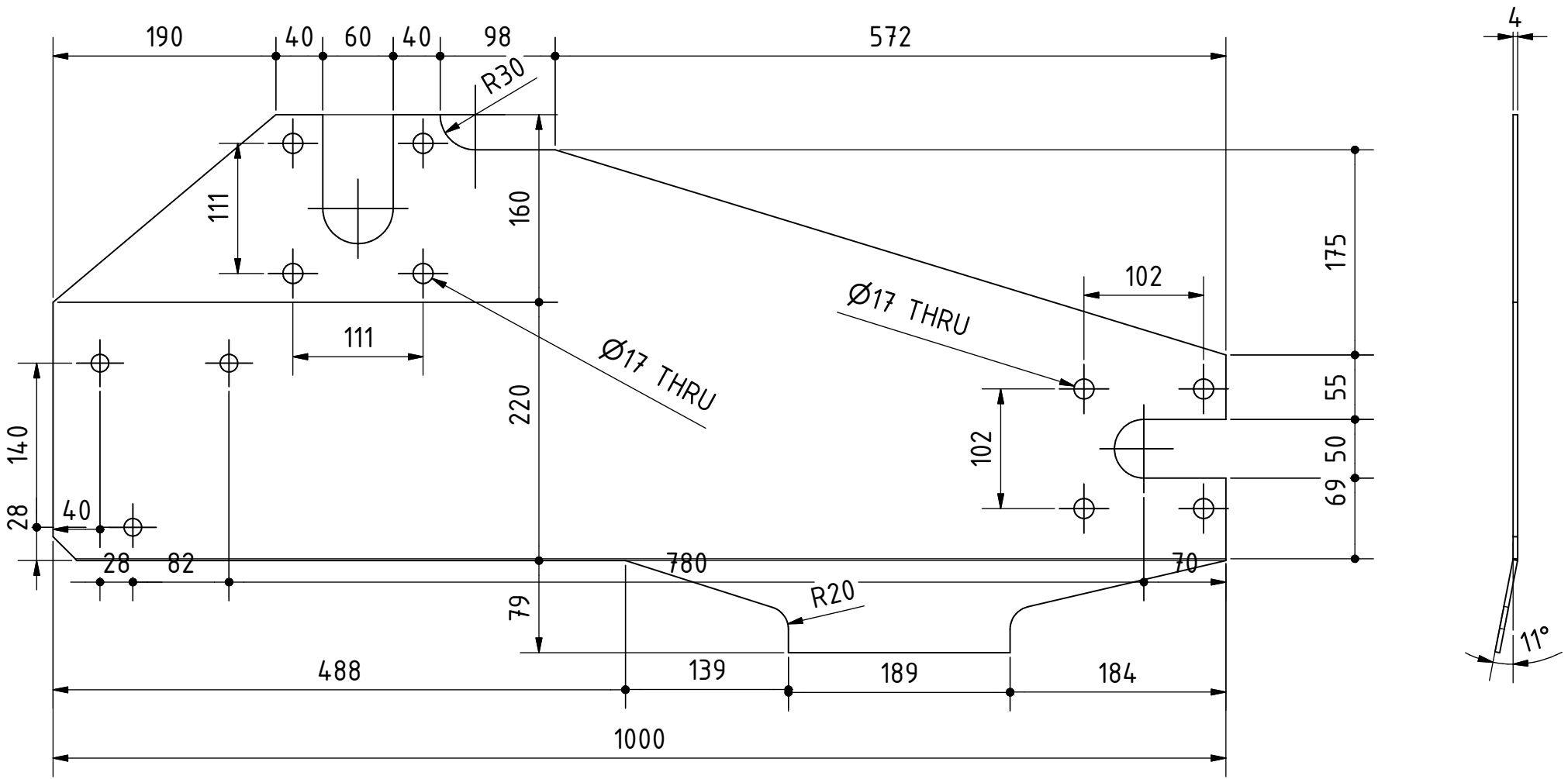
PROJECT	CREATED BY	APPROVED BY	DATE	VERSION
Vertical Drum Hemp Harvester	A. Morillo	D. Jaeger	12-04-2024	0.05
PART NAME	SPECIFICACIONES			CODE
Main frame base				1.1.0
DEVELOPED BY	REDESIGNED BY	FILENAME	QTY	
		1.1.iam	2	
Hanfasser		LICENSE	DOC. TYPE	SCALE
		CC-BY-SA 4.0	Assembly	2:25
				SHEET
				19 /147

OHO e.V.

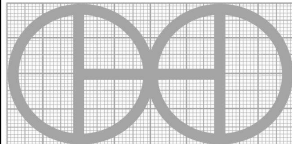


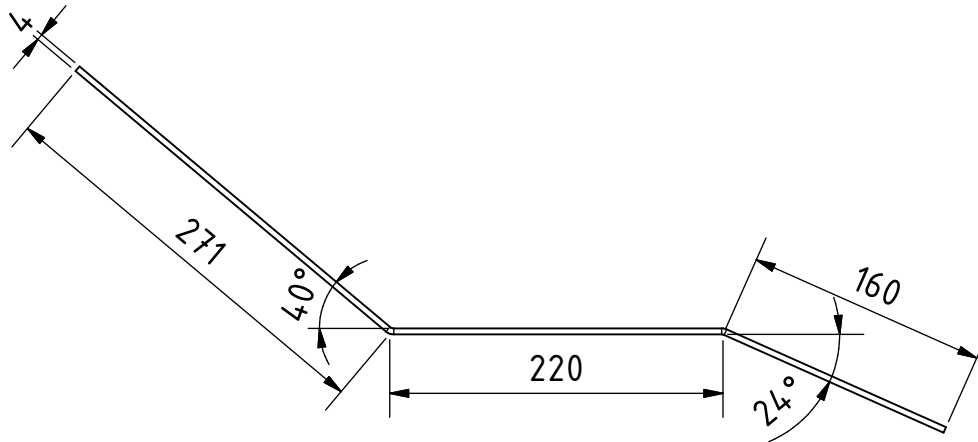
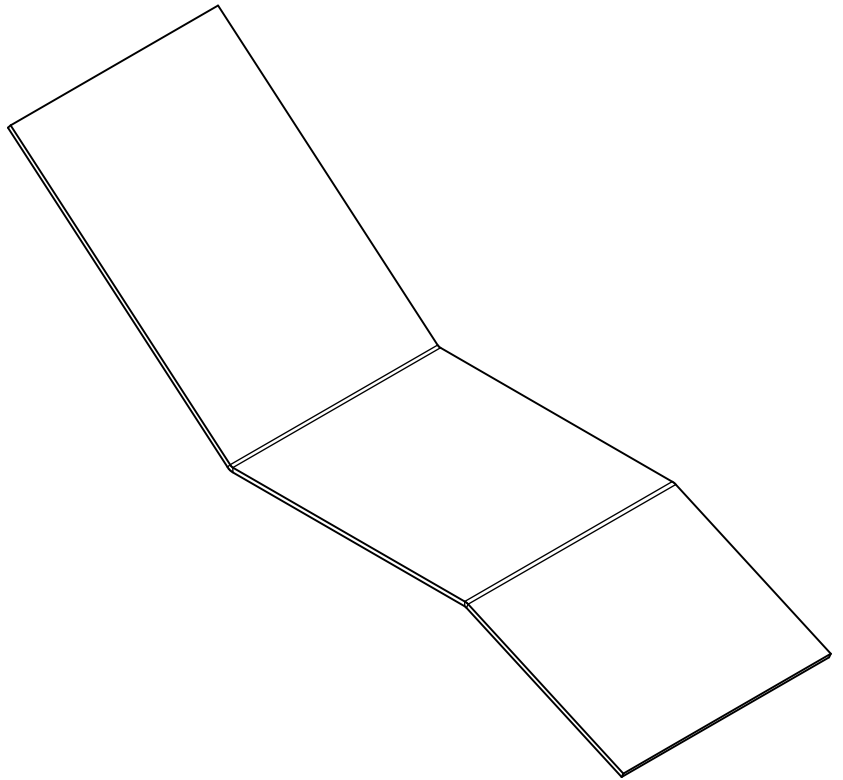
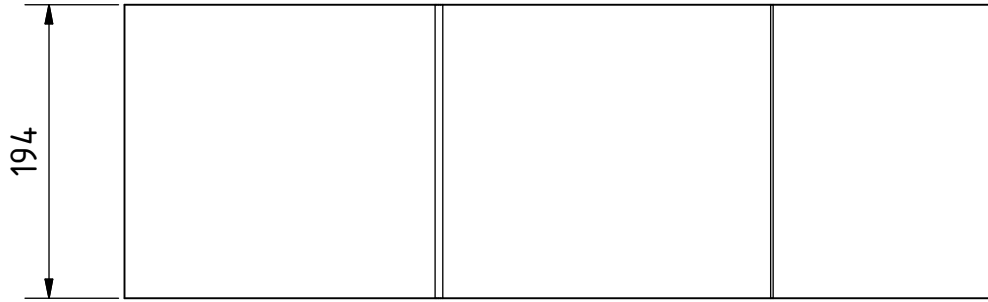
Symmetrical item

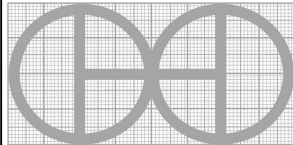
PROJECT		CREATED BY		APPROVED BY		DATE		VERSION		
Vertical Drum Hemp Harvester		A. Morillo		D. Jaeger		12-04-2024		0.05		
PART NAME		SPECIFICACIONES							CODE	
Part 1.1.1		Steel 235J2							1.1.1	
DEVELOPED BY		REDESIGNED BY		FILENAME				QTY		
Hanfasser				1.1.1.ipt				2		
		OHO e.V.		LICENSE		DOC. TYPE		SCALE		
				CC-BY-SA 4.0		Part		1 : 5		
								20 /147		

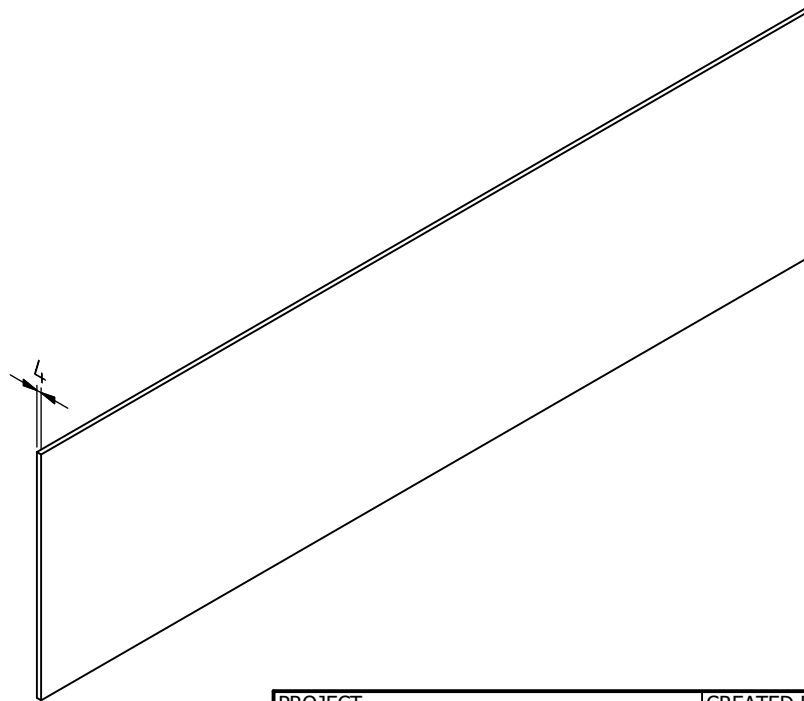
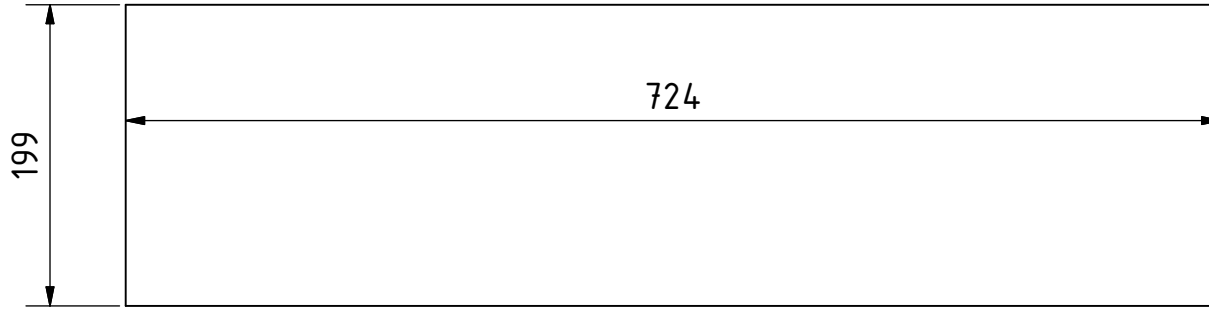


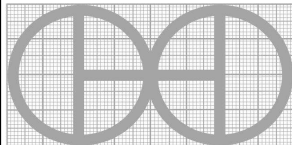
Symmetrical item

PROJECT		CREATED BY		APPROVED BY		DATE		VERSION		
Vertical Drum Hemp Harvester		A. Morillo		D. Jaeger		12-04-2024		0.05		
PART NAME		SPECIFICACIONES								CODE
Part 1.1.2		Steel 235J2								1.1.2
DEVELOPED BY		REDESIGNED BY		FILENAME				QTY		
Hanfasser				1.1.1.ipt				2		
		OHO e.V.		LICENSE		DOC. TYPE		SCALE		
				CC-BY-SA 4.0		Part		1 : 5		
								21 / 147		

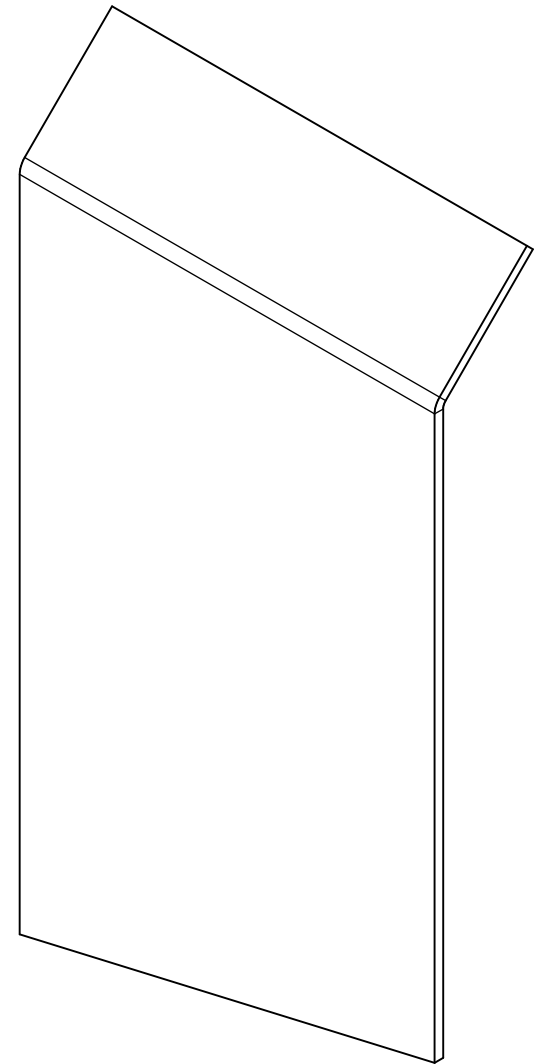
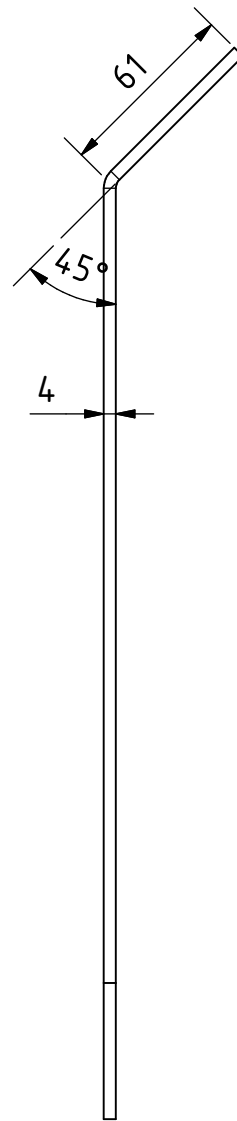
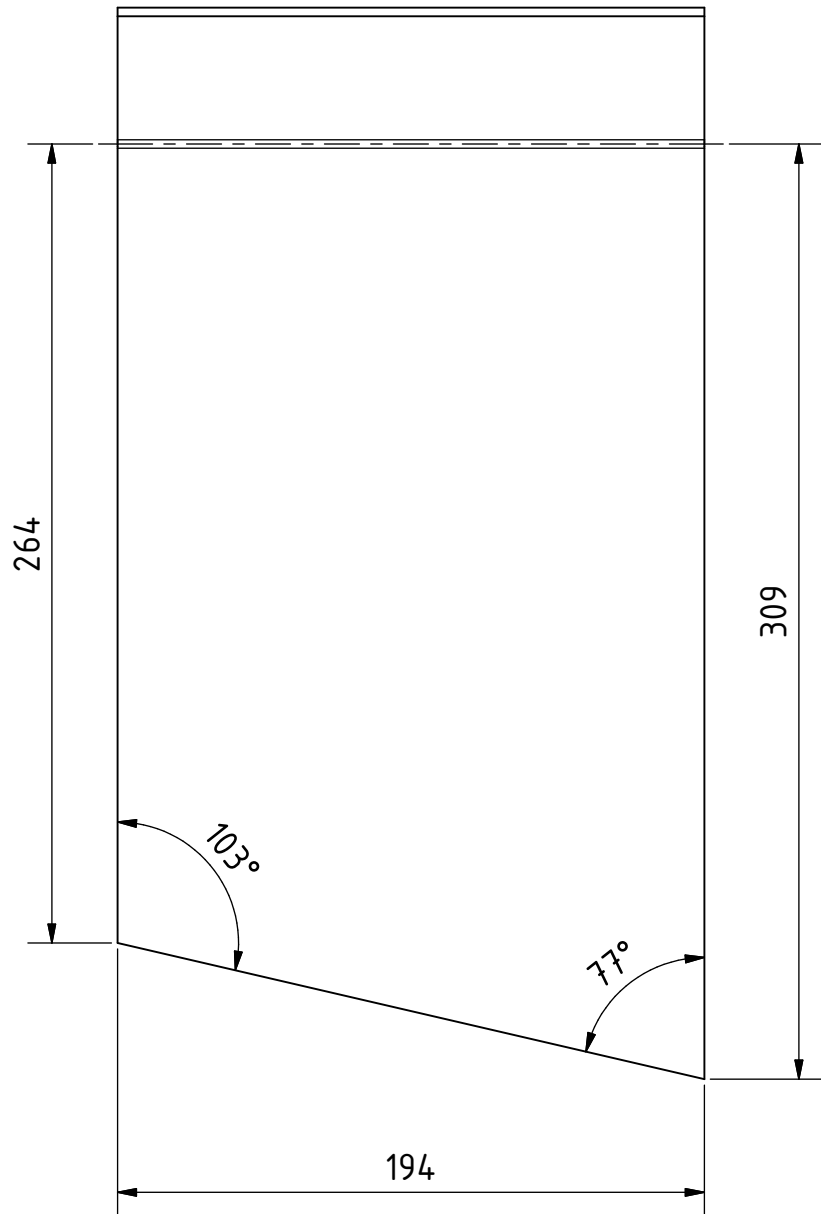


PROJECT	CREATED BY	APPROVED BY	DATE	VERSION	
Vertical Drum Hemp Harvester	A. Morillo	D. Jaeger	12-04-2024	0.05	
PART NAME	SPECIFICACIONES			CODE	
Part 1.1.3	Steel 235J2			1.1.3	
DEVELOPED BY	REDESIGNED BY	FILENAME		QTY	
Hanfasser		1.1.3.ipt		2	
		LICENSE	DOC. TYPE	SCALE	SHEET
		CC-BY-SA 4.0	Part	1 : 5	22 /147

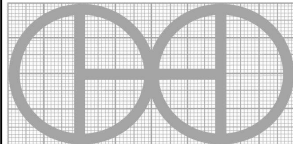


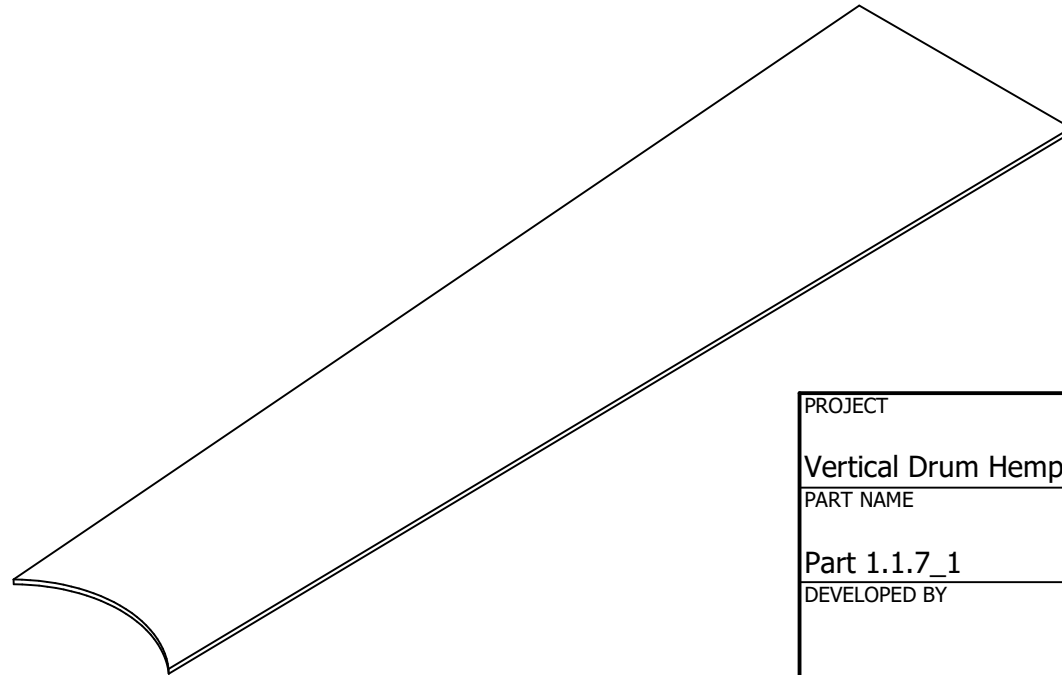
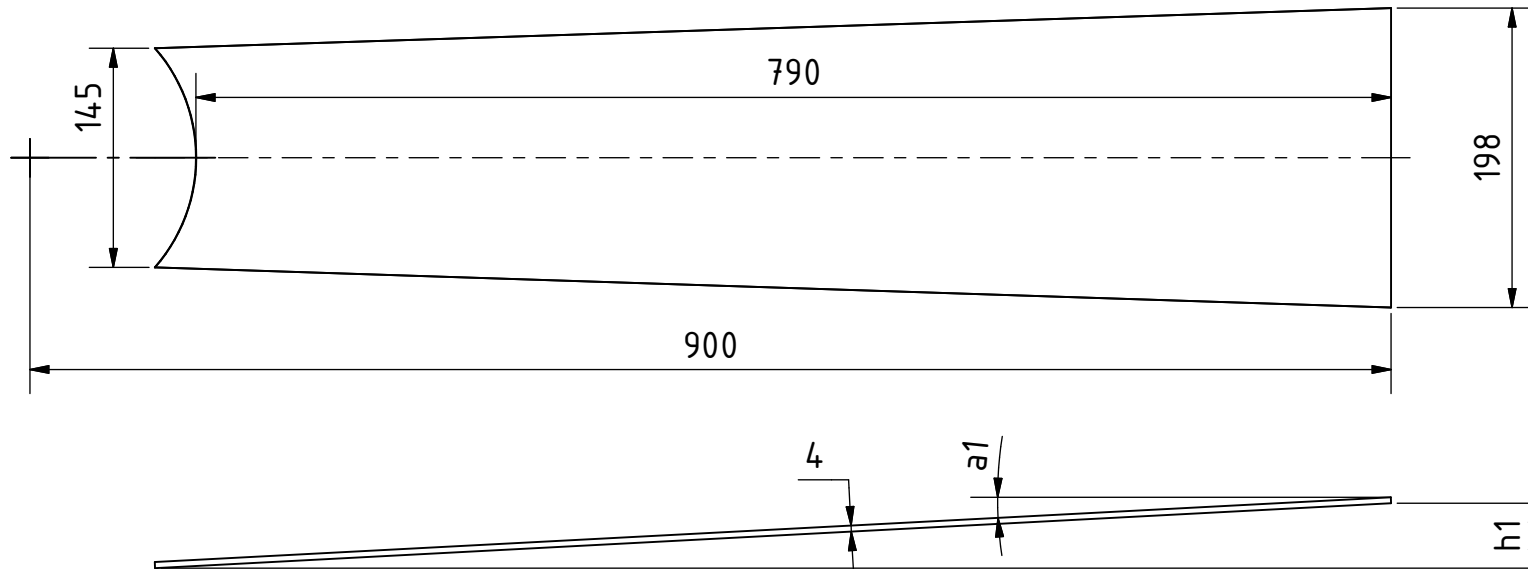
PROJECT	CREATED BY	APPROVED BY	DATE	VERSION	
Vertical Drum Hemp Harvester	A. Morillo	D. Jaeger	12-04-2024	0.05	
PART NAME	SPECIFICACIONES			CODE	
Part 1.1.4	Steel 235J2			1.1.4	
DEVELOPED BY	REDESIGNED BY	FILENAME		QTY	
Hanfasser		1.1.4.ipt		2	
		LICENSE	DOC. TYPE	SCALE	SHEET
		CC-BY-SA 4.0	Part	1 : 5	23 /147

OHO e.V.

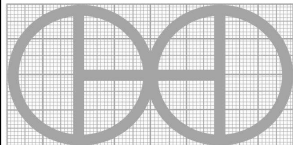


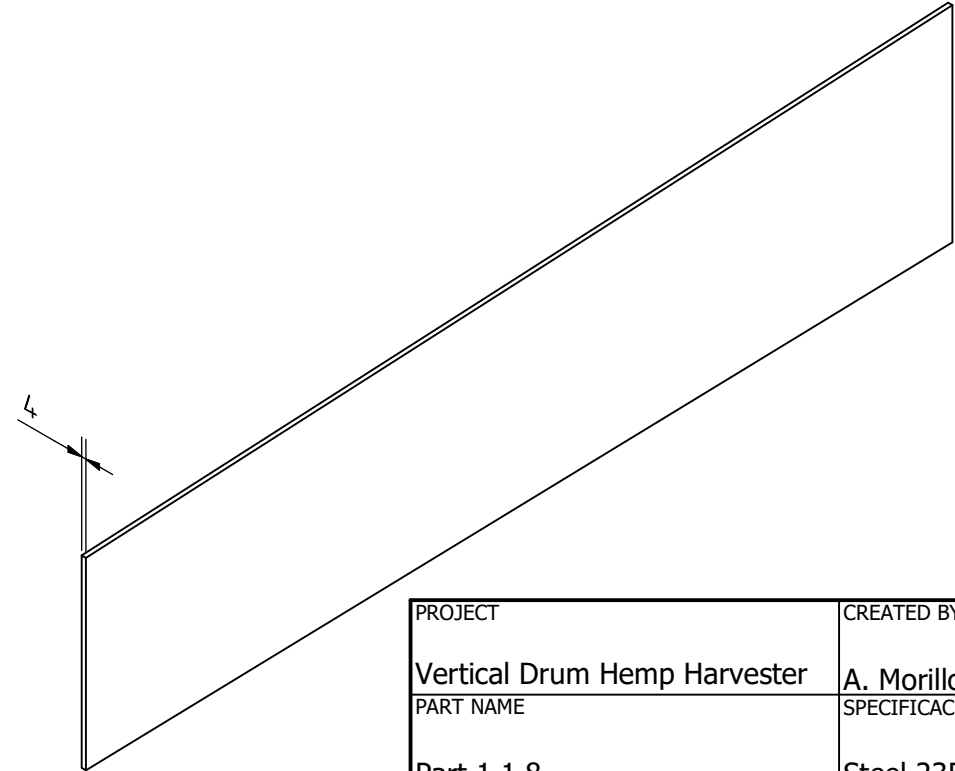
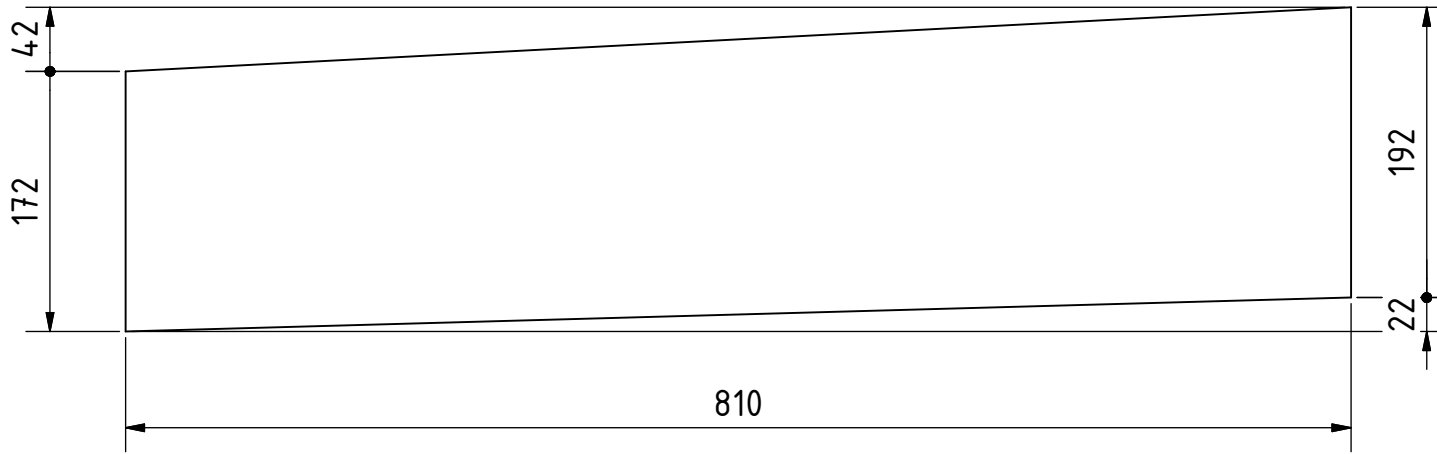
Symmetrical item

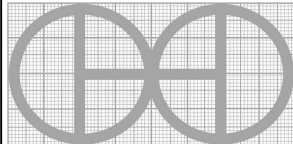
PROJECT	CREATED BY	APPROVED BY	DATE	VERSION	
Vertical Drum Hemp Harvester	A. Morillo	D. Jaeger	12-04-2024	0.05	
PART NAME	SPECIFICACIONES			CODE	
Part 1.1.5	Steel 235J2			1.1.5	
DEVELOPED BY	REDESIGNED BY	FILENAME		QTY	
Hanfasser		1.1.5.ipt		2	
		LICENSE	DOC. TYPE	SCALE	SHEET
		CC-BY-SA 4.0	Part	2:5	24 / 147



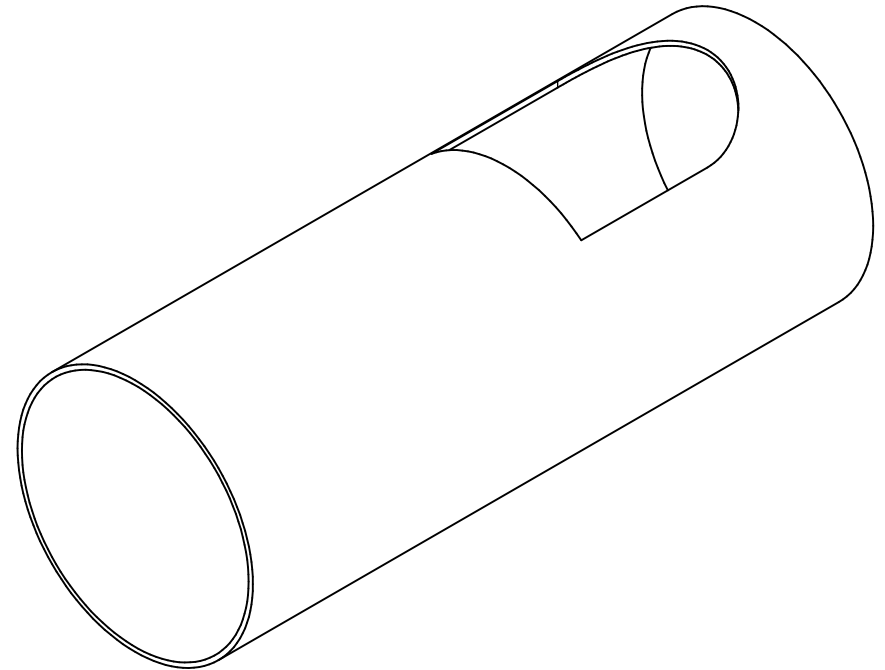
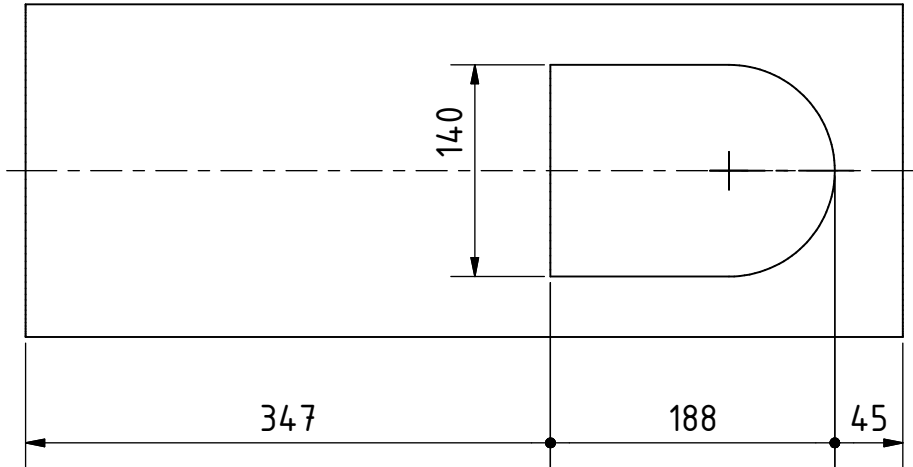
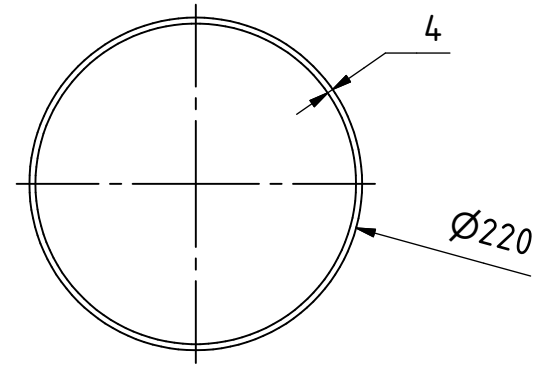
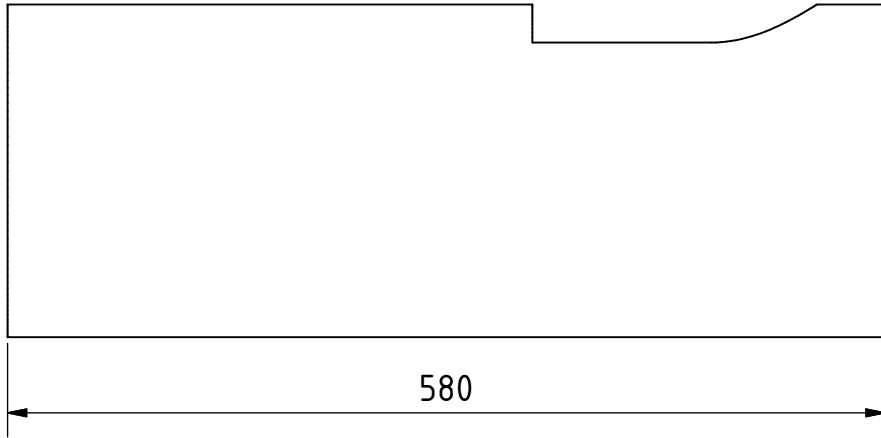
Size table		
Pos	a1	h1
1.1.7_1	3°	43mm
1.1.7_2	2°	22.7mm

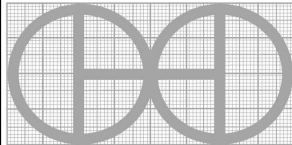
PROJECT	CREATED BY	APPROVED BY	DATE	VERSION	
Vertical Drum Hemp Harvester	A. Morillo	D. Jaeger	12-04-2024	0.05	
PART NAME	SPECIFICACIONES			CODE	
Part 1.1.7_1	Steel 235J2			1.1.7	
DEVELOPED BY	REDESIGNED BY	FILENAME		QTY	
Hanfasser		1.1.7_A.ipt		2	
		LICENSE	DOC. TYPE	SCALE	SHEET
		CC-BY-SA 4.0	Part	1:5	25 /147

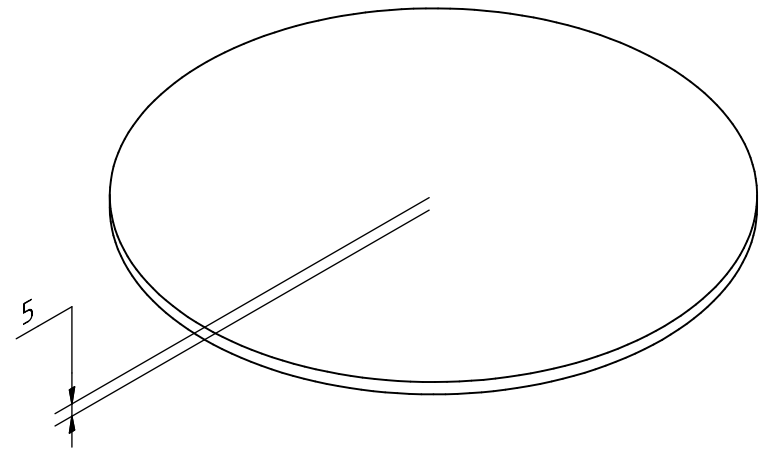
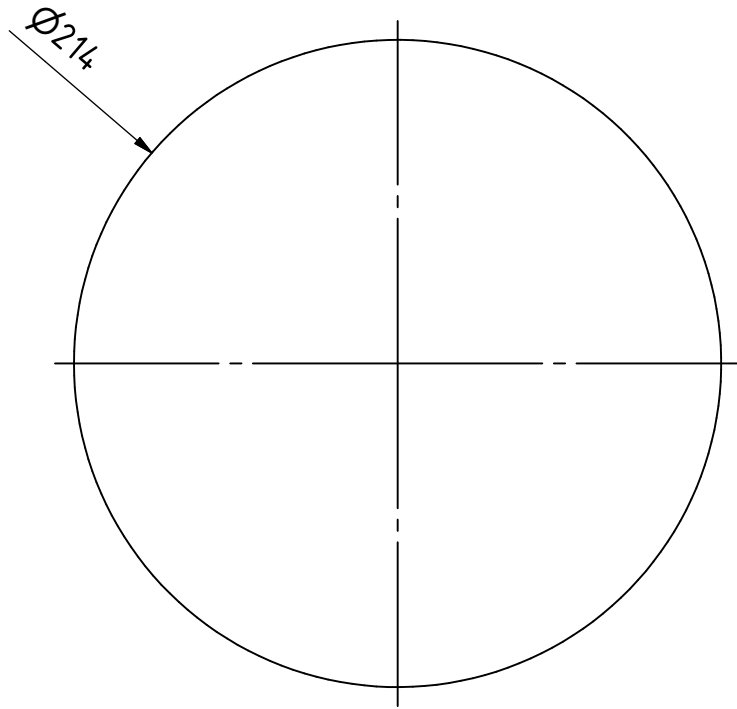


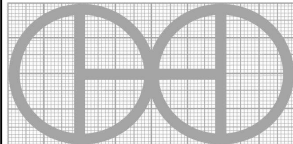
PROJECT	CREATED BY	APPROVED BY	DATE	VERSION	
Vertical Drum Hemp Harvester	A. Morillo	D. Jaeger	12-04-2024	0.05	
PART NAME	SPECIFICACIONES			CODE	
Part 1.1.8	Steel 235J2			1.1.8	
DEVELOPED BY	REDESIGNED BY	FILENAME		QTY	
Hanfasser		1.1.8.ipt		4	
		LICENSE	DOC. TYPE	SCALE	SHEET
		CC-BY-SA 4.0	Part	1:5	26 /147

OHO e.V.

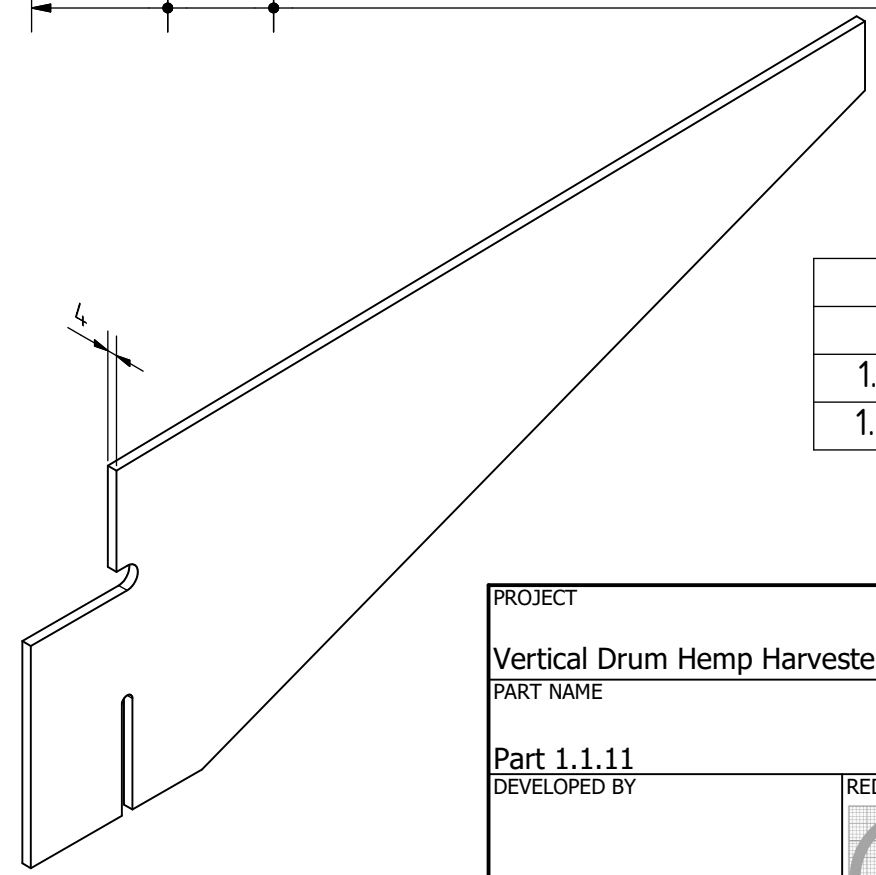
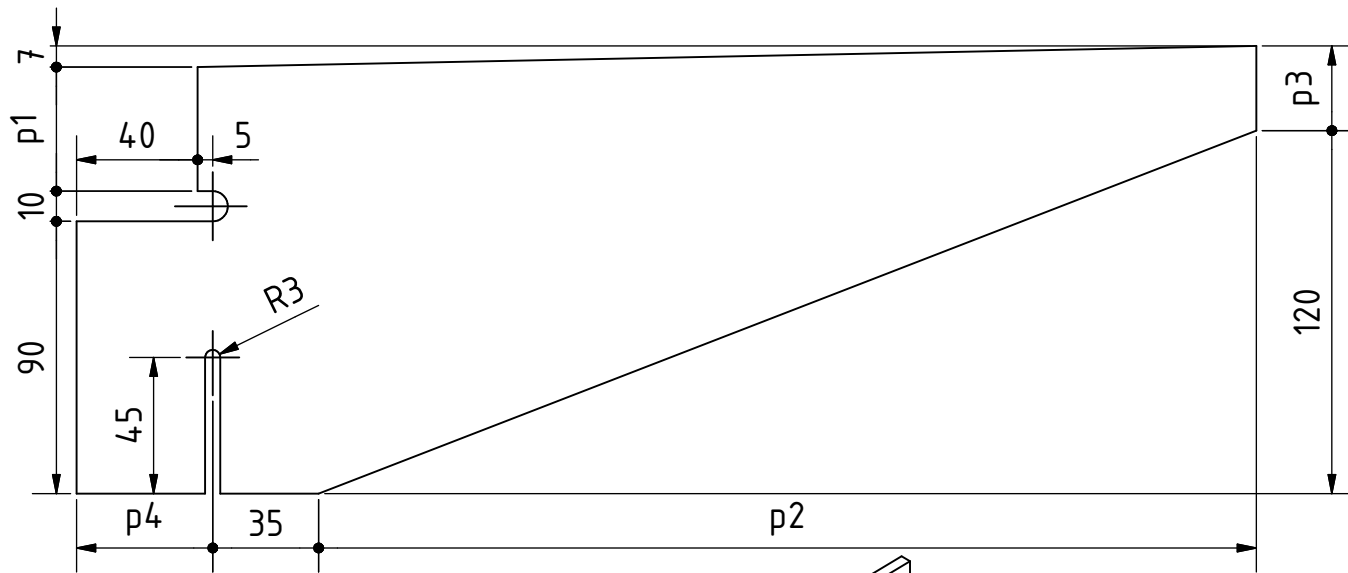


PROJECT	CREATED BY	APPROVED BY	DATE	VERSION	
Vertical Drum Hemp Harvester	A. Morillo	D. Jaeger	12-04-2024	0.05	
PART NAME	SPECIFICACIONES			CODE	
Part 1.1.9	Steel 235J2			1.1.9	
DEVELOPED BY	REDESIGNED BY	FILENAME		QTY	
Hanfasser		1.1.9.ipt		2	
		LICENSE	DOC. TYPE	SCALE	SHEET
		CC-BY-SA 4.0	Part	1:5	27 /147



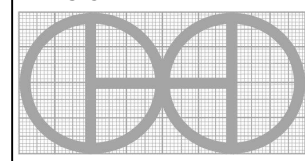
PROJECT	CREATED BY	APPROVED BY	DATE	VERSION	
Vertical Drum Hemp Harvester	A. Morillo	D. Jaeger	12-04-2024	0.05	
PART NAME	SPECIFICACIONES			CODE	
Part 1.1.10	Steel 235J2			1.1.10	
DEVELOPED BY	REDESIGNED BY	FILENAME		QTY	
Hanfasser		1.1.10.ipt		2	
		LICENSE	DOC. TYPE	SCALE	SHEET
		CC-BY-SA 4.0	Part	2 : 5	28 /147

OHO e.V.



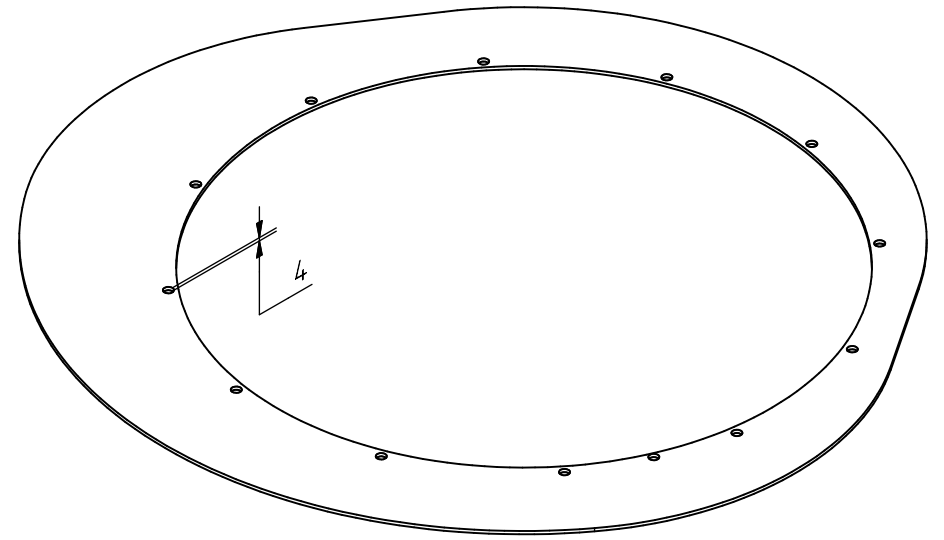
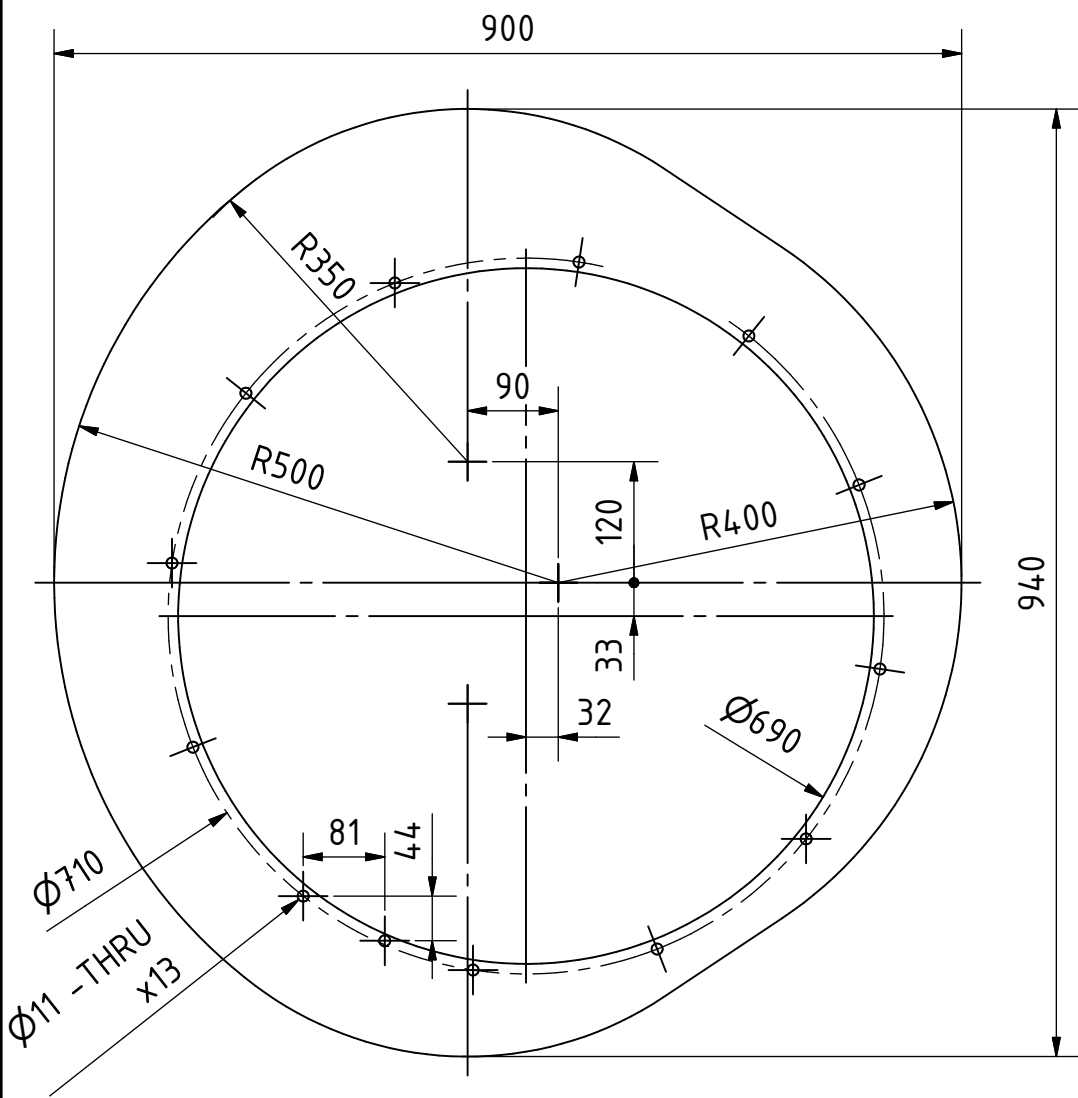
Size table				
Pos	p1	p2	p3	p4
1.1.11_1	41 mm	310 mm	28 mm	45 mm
1.1.11_2	40 mm	305 mm	27 mm	77 mm

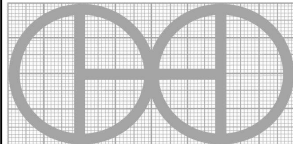
PROJECT	CREATED BY	APPROVED BY	DATE	VERSION
Vertical Drum Hemp Harvester	A. Morillo	D. Jaeger	12-04-2024	0.05
PART NAME	SPECIFICACIONES			CODE
Part 1.1.11	Steel 235J2			1.1.11
DEVELOPED BY	REDESIGNED BY	FILENAME		QTY
		1.1.11.ipt		4
		LICENSE	DOC. TYPE	SCALE
		CC-BY-SA 4.0	Part	1 : 2
				SHEET
				29 /147

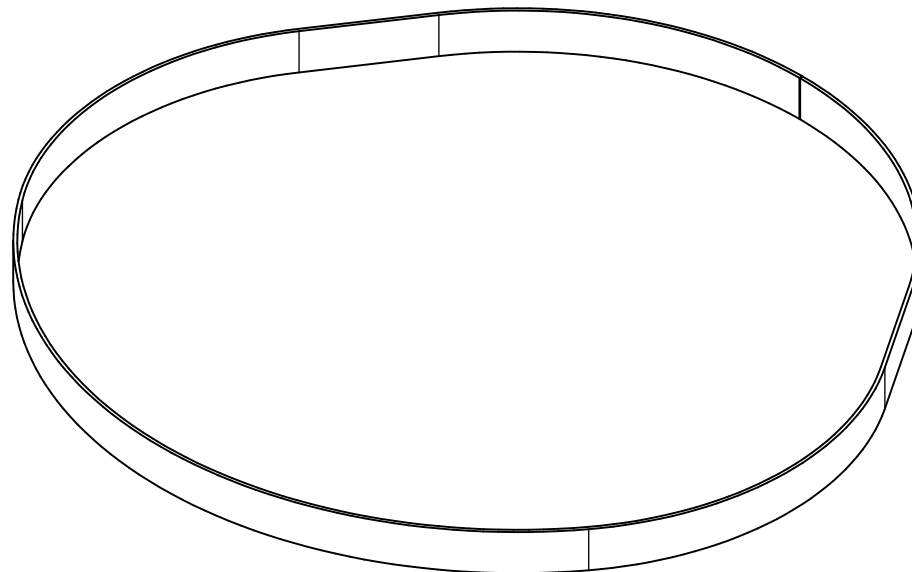
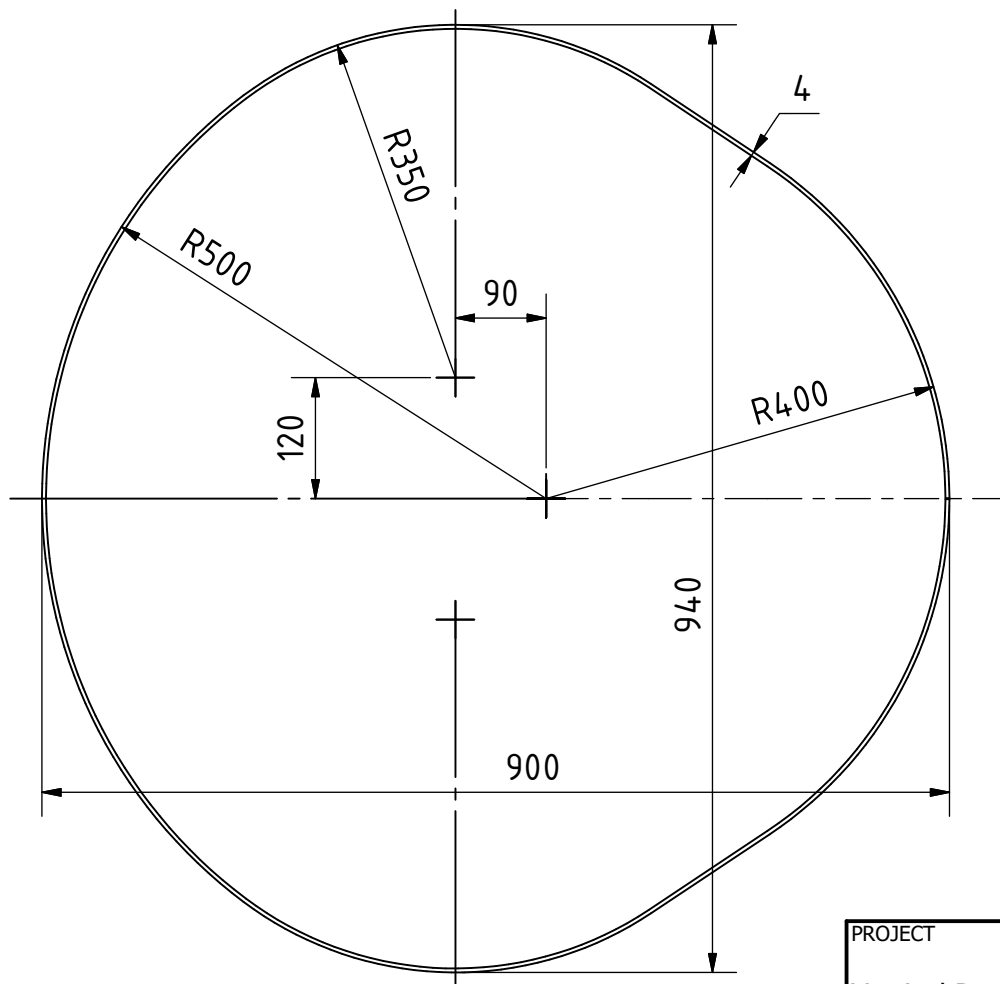
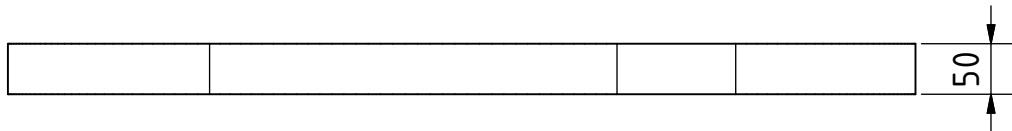


OHO e.V.

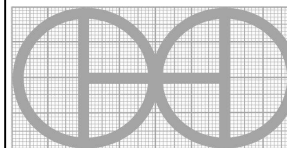
Hanfasser



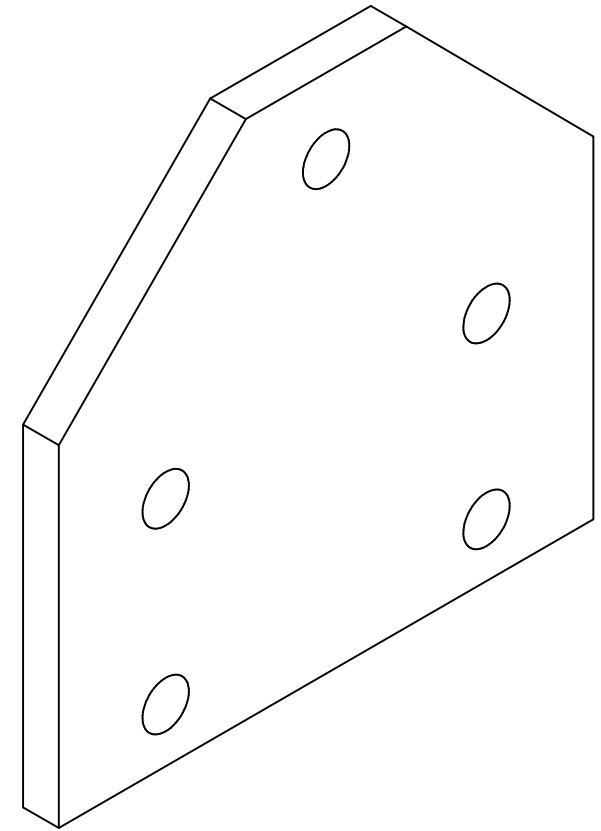
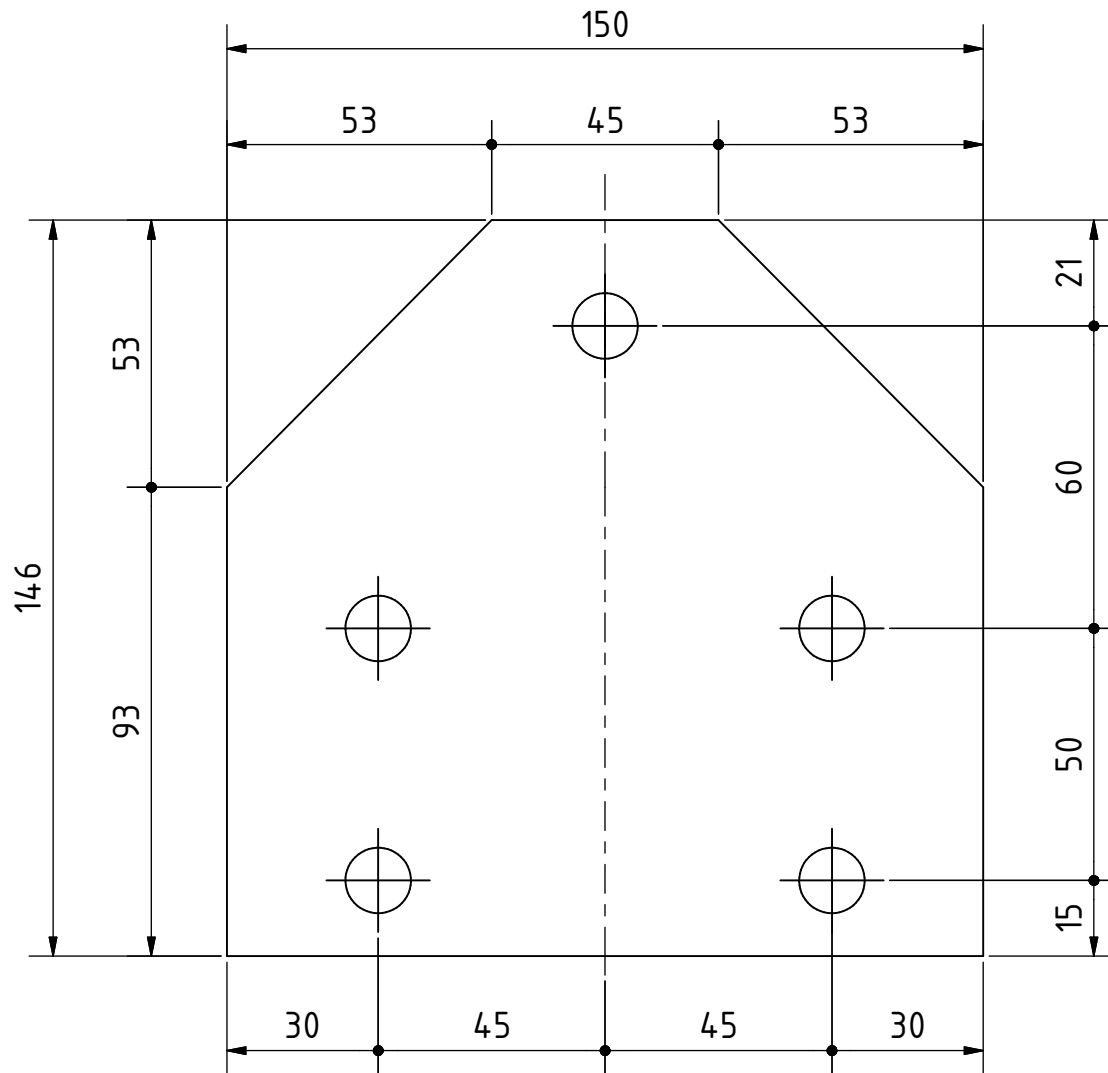
PROJECT		CREATED BY		APPROVED BY		DATE		VERSION		
Vertical Drum Hemp Harvester		A. Morillo		D. Jaeger		12-04-2024		0.05		
PART NAME		SPECIFICACIONES							CODE	
Part 1.1.12		Steel 235J2							1.1.12	
DEVELOPED BY		REDESIGNED BY		FILENAME				QTY		
Hanfasser				1.1.12.ipt				4		
		OHO e.V.		LICENSE		DOC. TYPE		SCALE		
				CC-BY-SA 4.0		Part		2 : 15		
								30 /147		

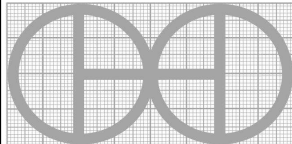


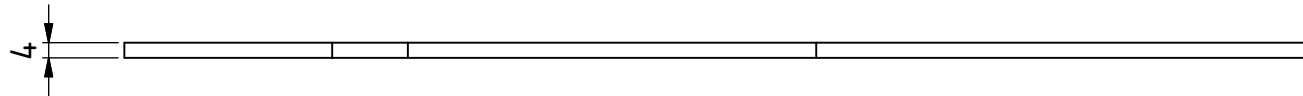
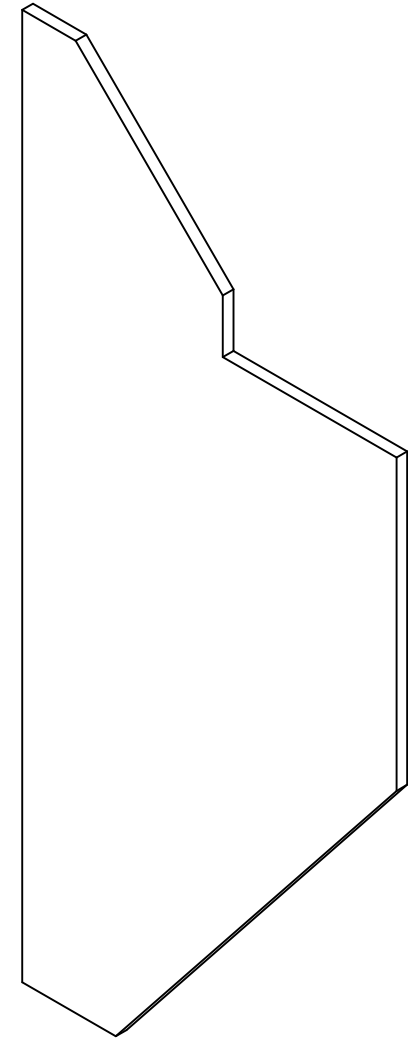
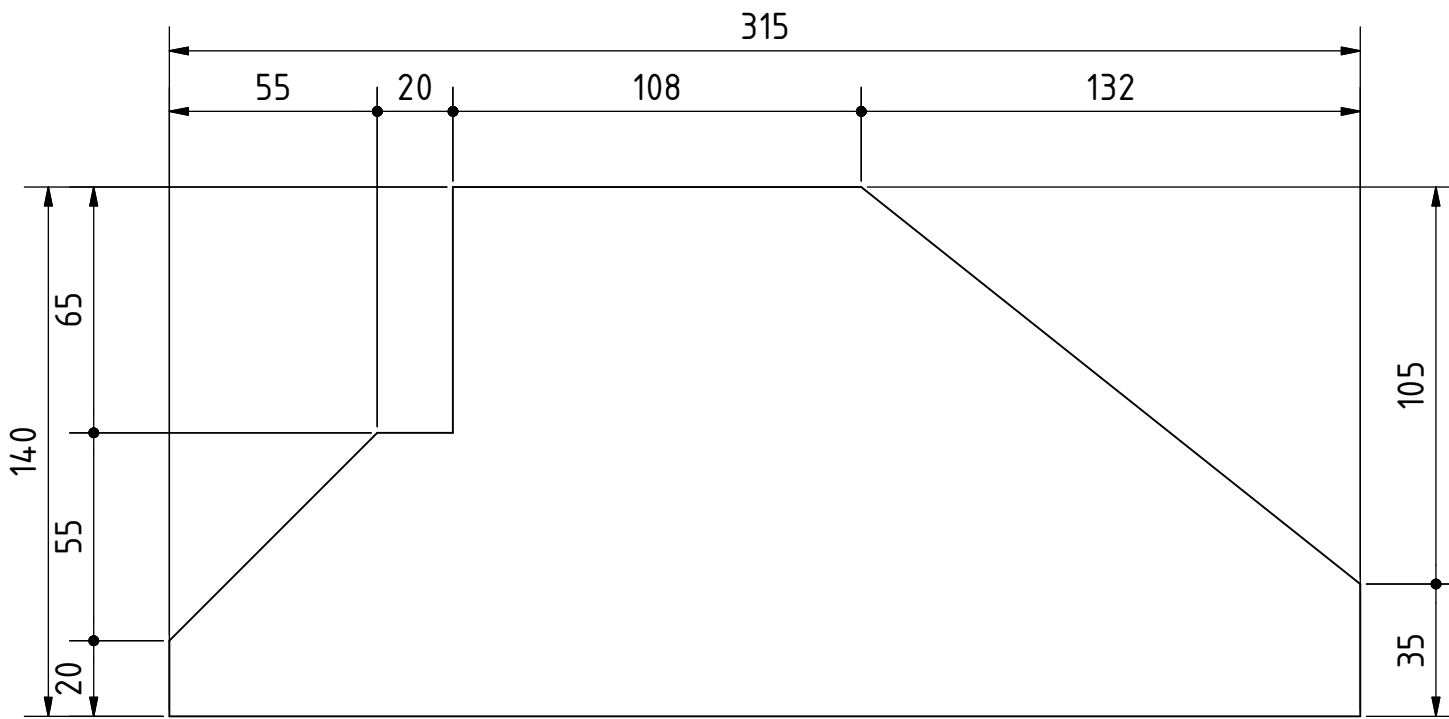
PROJECT	CREATED BY	APPROVED BY	DATE	VERSION
Vertical Drum Hemp Harvester	A. Morillo	D. Jaeger	12-04-2024	0.05
PART NAME	SPECIFICACIONES			CODE
Part 1.1.13	Steel 235J2			1.1.13
DEVELOPED BY	REDESIGNED BY	FILENAME		QTY
		1.1.13.ipt		2
		LICENSE	DOC. TYPE	SCALE
		CC-BY-SA 4.0	Part	2 : 15
Handfasser				31 / 147

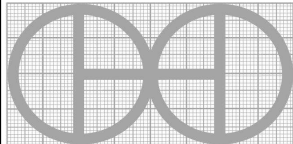


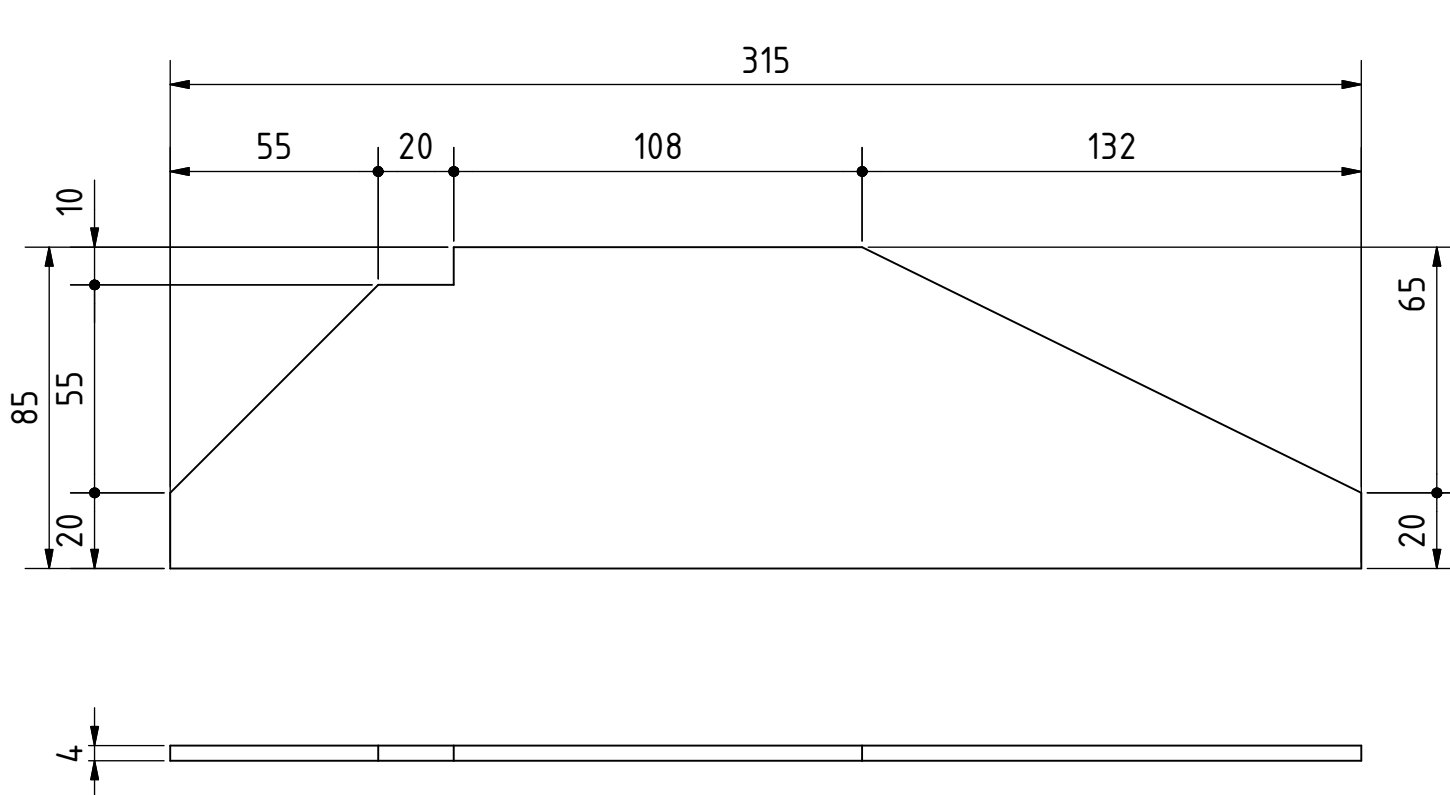
OHO e.V.

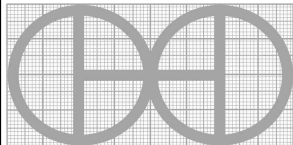


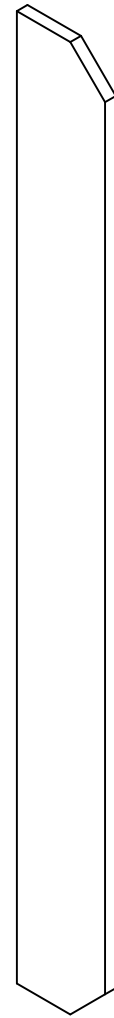
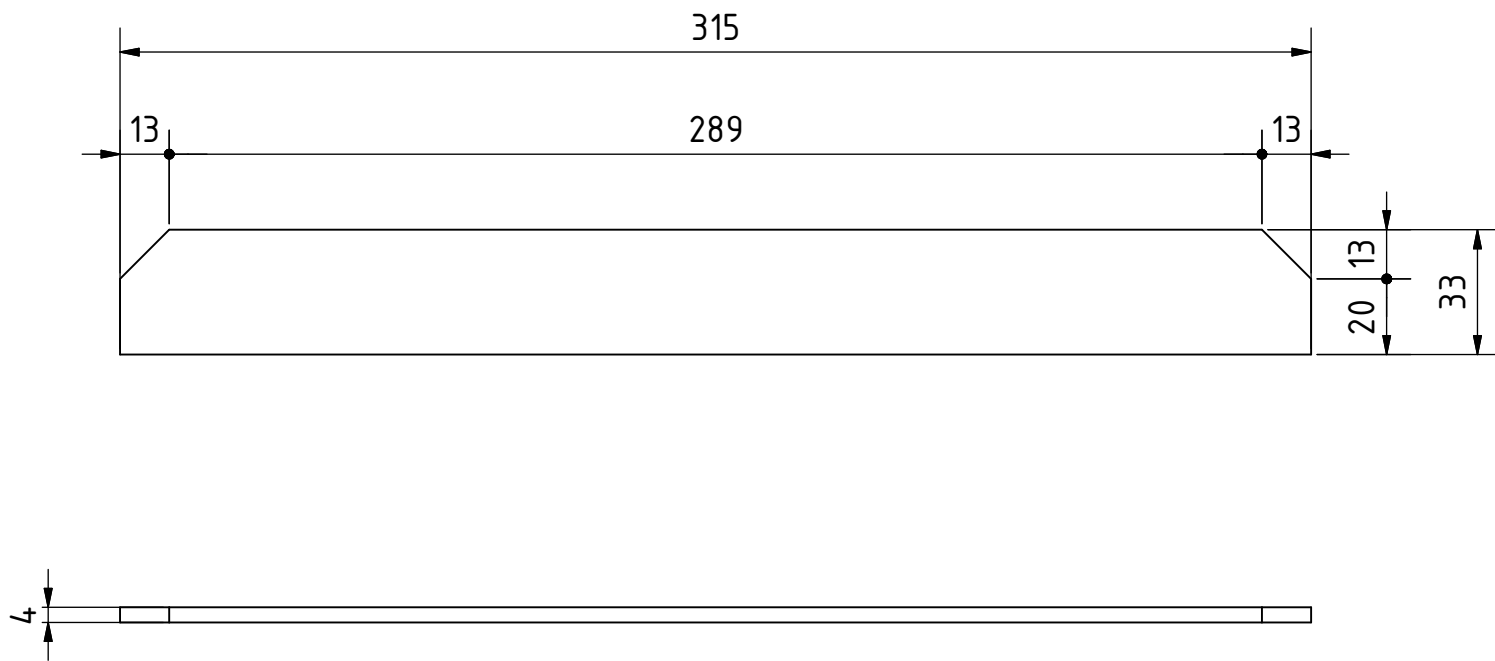
PROJECT	CREATED BY	APPROVED BY	DATE	VERSION
Vertical Drum Hemp Harvester	A. Morillo	D. Jaeger	12-04-2024	0.05
PART NAME	SPECIFICACIONES			CODE
Part 1.1.14	Steel 235J2			1.1.14
DEVELOPED BY	REDESIGNED BY	FILENAME		QTY
		1.1.14.ipt		6
		LICENSE	DOC. TYPE	SCALE
Hanfasser		CC-BY-SA 4.0	Part	2 : 3
				SHEET
				32 /147

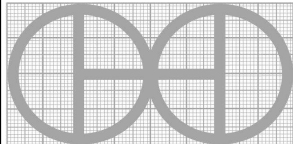


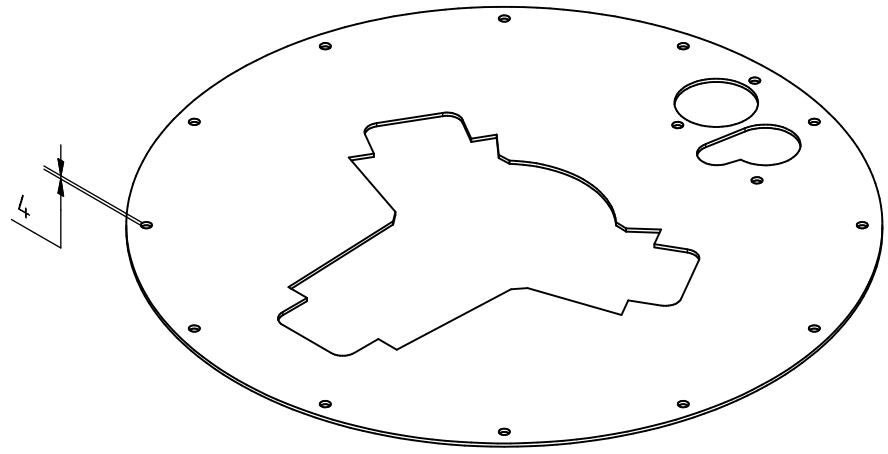
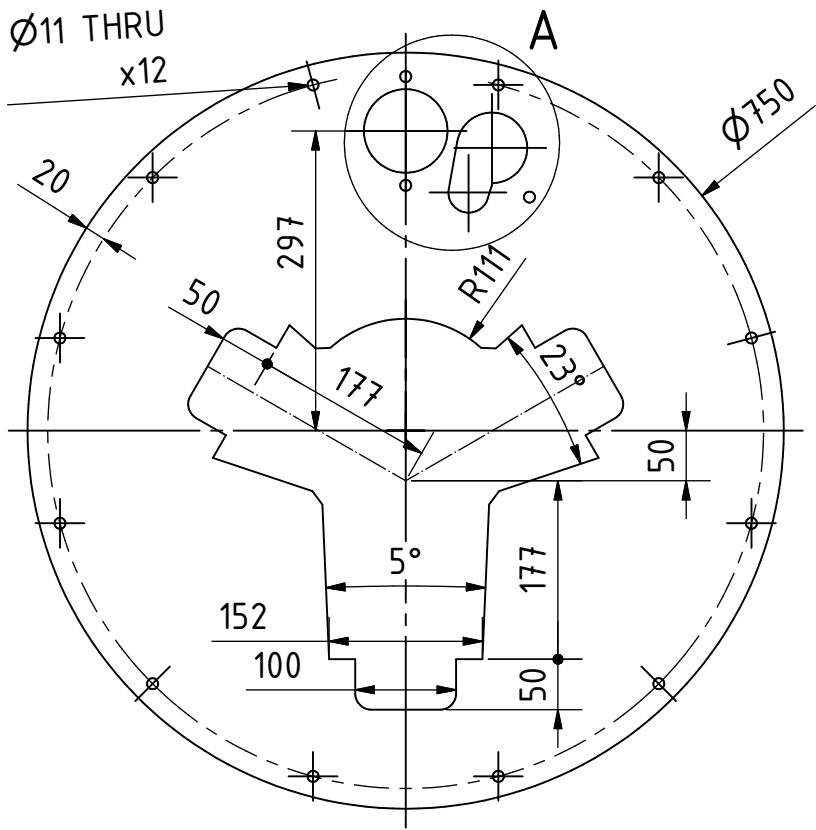
PROJECT	CREATED BY	APPROVED BY	DATE	VERSION
Vertical Drum Hemp Harvester	A. Morillo	D. Jaeger	12-04-2024	0.05
PART NAME	SPECIFICACIONES			CODE
Part 1.1.15	Steel 235J2			1.1.15
DEVELOPED BY	REDESIGNED BY	FILENAME		QTY
		1.1.15.ipt		8
Hanfasser		LICENSE	DOC. TYPE	SCALE
		CC-BY-SA 4.0	Part	1 : 2
				SHEET
				33 /147



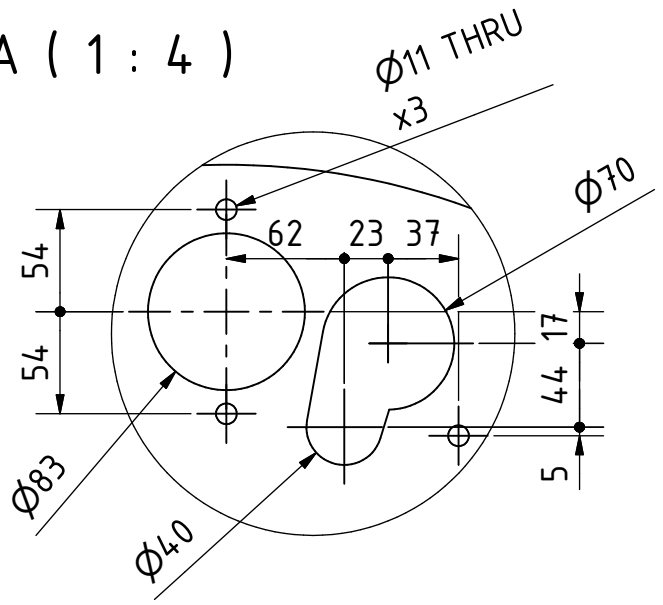
PROJECT	CREATED BY	APPROVED BY	DATE	VERSION	
Vertical Drum Hemp Harvester	A. Morillo	D. Jaeger	12-04-2024	0.05	
PART NAME	SPECIFICACIONES			CODE	
Part 1.1.15	Steel 235J2			1.1.15	
DEVELOPED BY	REDESIGNED BY	FILENAME		QTY	
Hanfasser		1.1.15.ipt		8	
		LICENSE	DOC. TYPE	SCALE	SHEET
		CC-BY-SA 4.0	Part	1 : 2	34 /147



PROJECT		CREATED BY		APPROVED BY		DATE		VERSION	
Vertical Drum Hemp Harvester		A. Morillo		D. Jaeger		12-04-2024		0.05	
PART NAME		SPECIFICACIONES						CODE	
Part 1.1.15		Steel 235J2						1.1.15	
DEVELOPED BY		REDESIGNED BY		FILENAME			QTY		
Hanfasser				1.1.15.ipt			8		
		OHO e.V.		LICENSE		DOC. TYPE		SCALE	
				CC-BY-SA 4.0		Part		1 : 2	
								SHEET	
								35 /147	

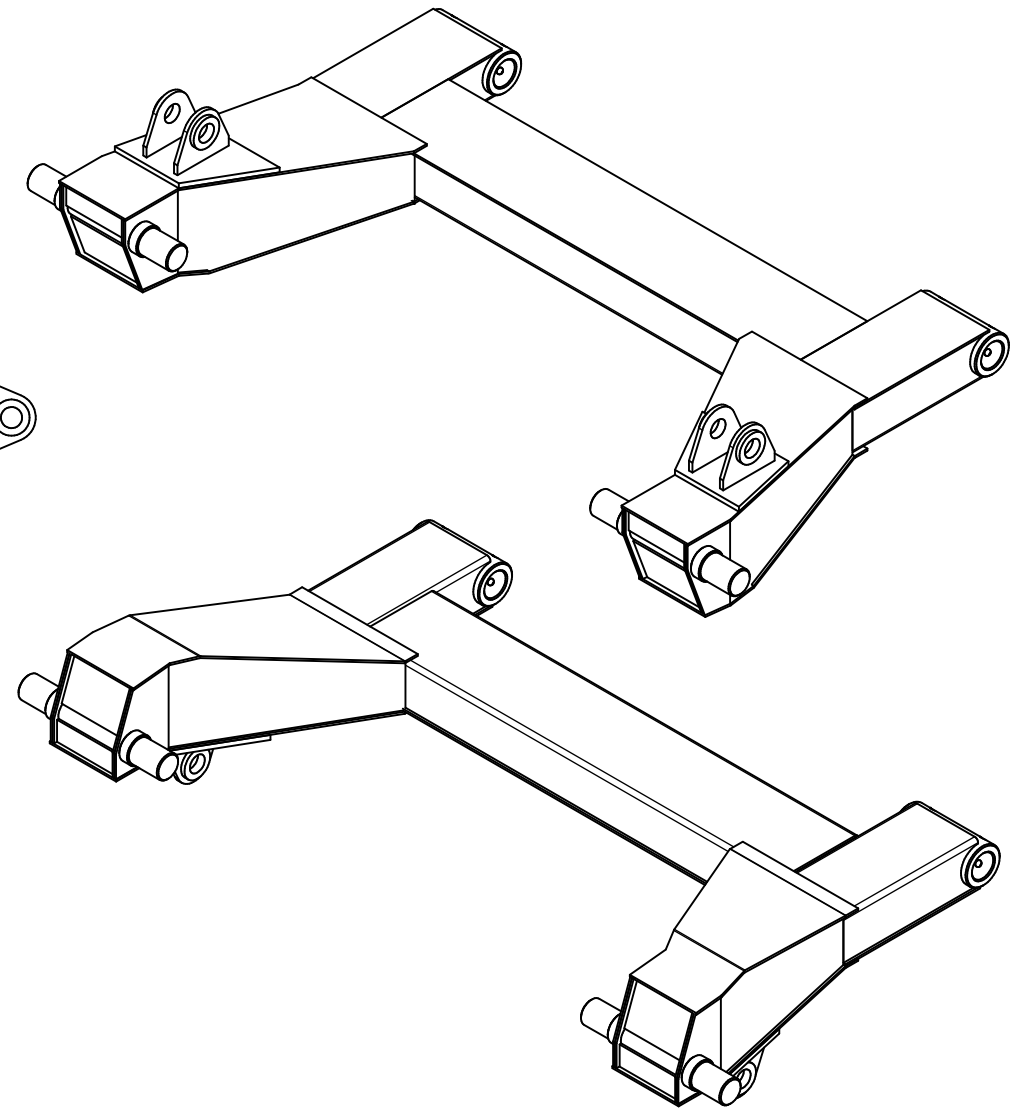
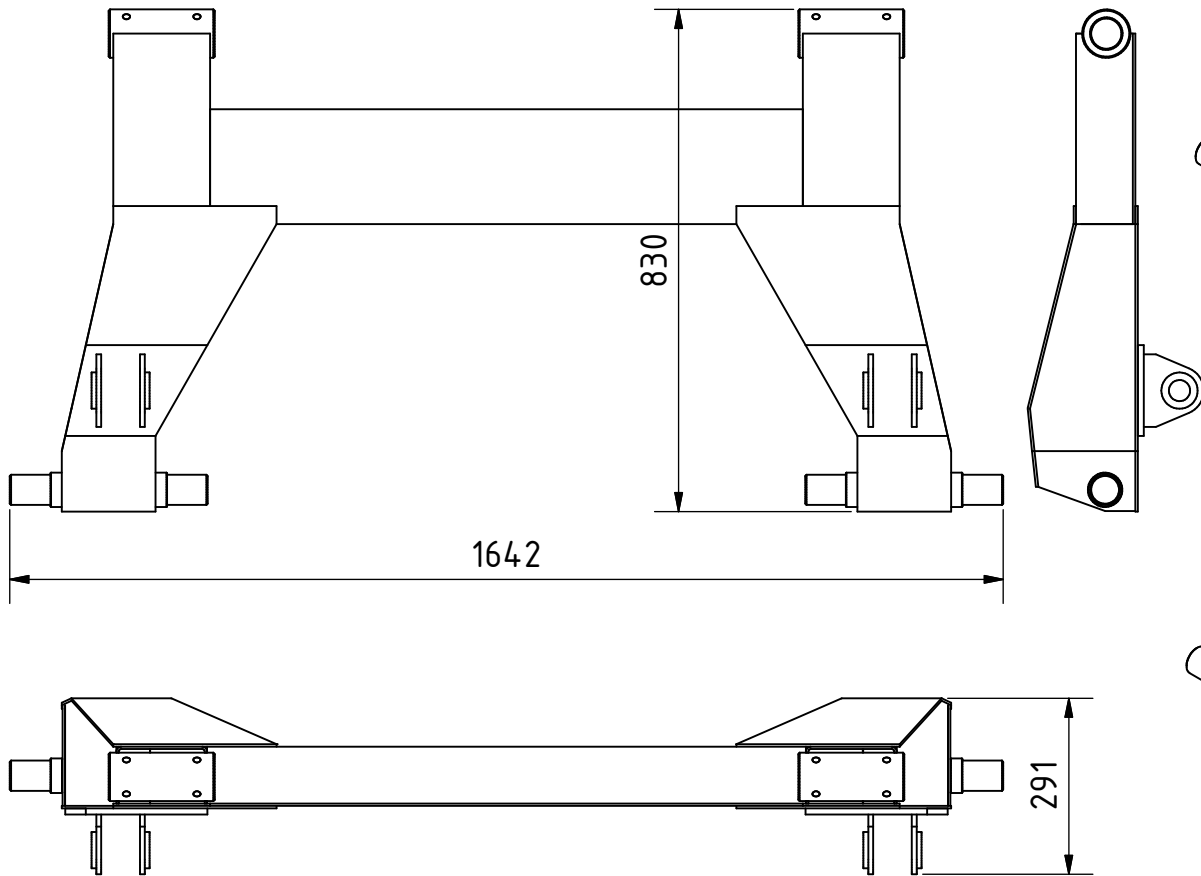


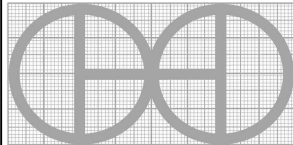
A (1 : 4)



Symmetrical item

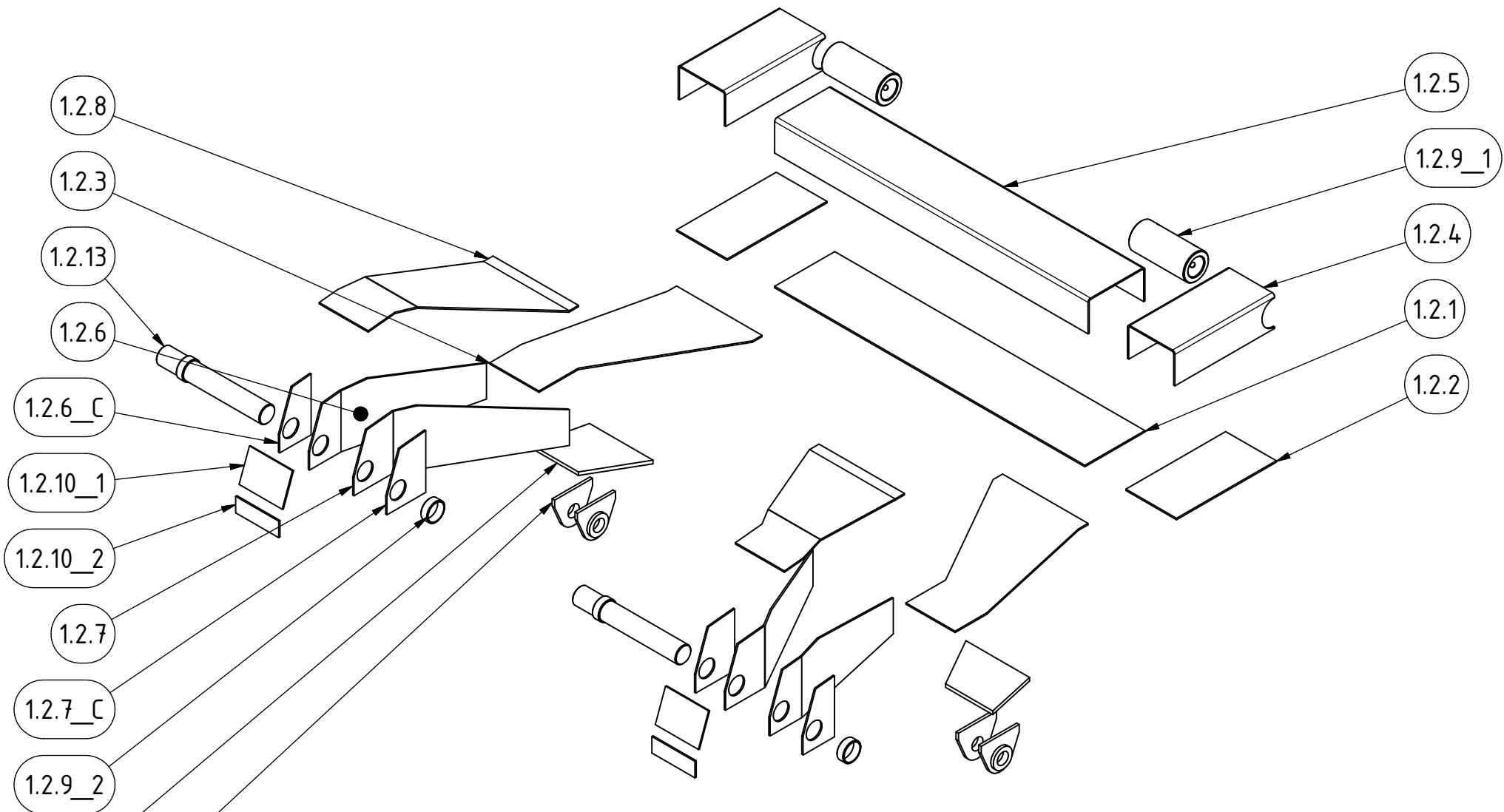
PROJECT	CREATED BY	APPROVED BY	DATE	VERSION		
Vertical Drum Hemp Harvester	A. Morillo	D. Jaeger	12-04-2024	0.05		
PART NAME	SPECIFICACIONES			CODE		
Part 1.1.16	Steel 235J2			1.1.16		
DEVELOPED BY	REDESIGNED BY	FILENAME	QTY			
Hanfasser		OHO e.v.	2			
		1.1.16.ipt	LICENSE	DOC. TYPE	SCALE	SHEET
		CC-BY-SA 4.0	Part	2 : 15	36 /147	

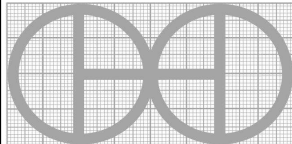


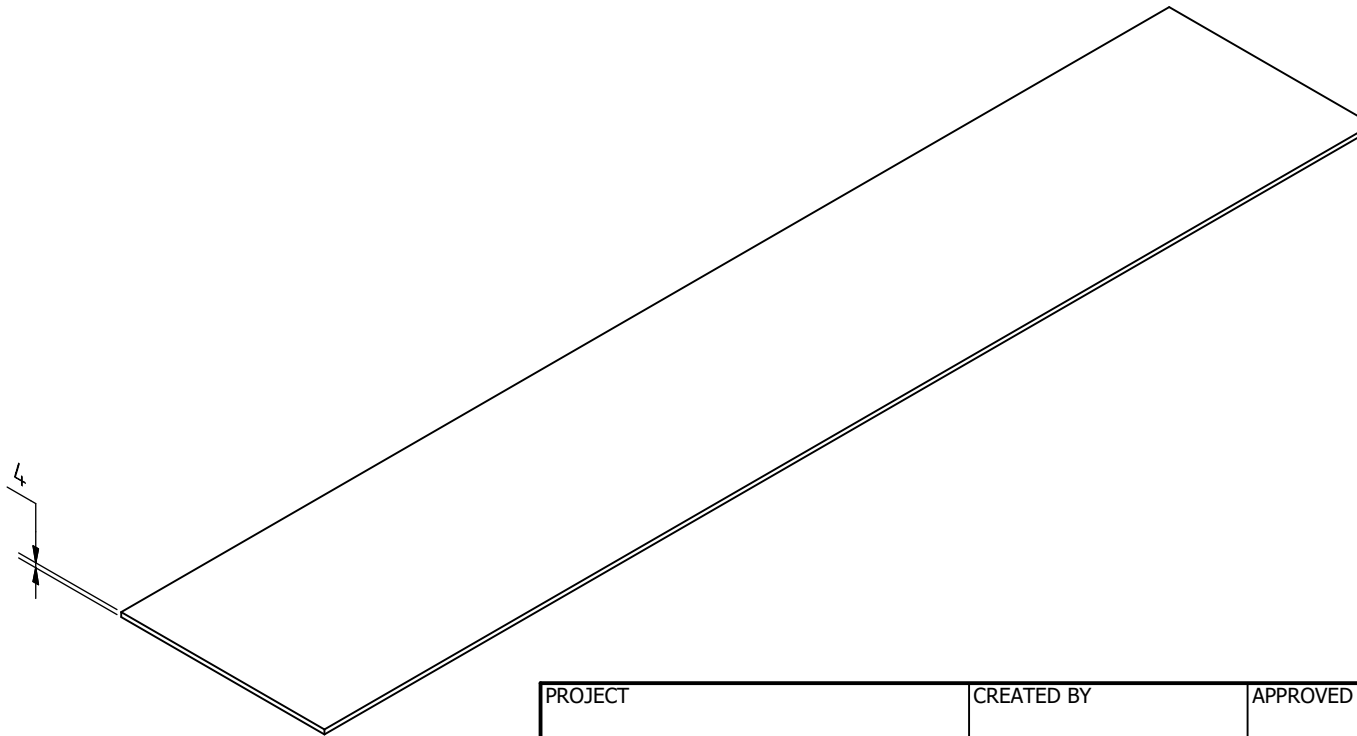
PROJECT	CREATED BY	APPROVED BY	DATE	VERSION
Vertical Drum Hemp Harvester	A. Morillo	D. Jaeger	12-04-2024	0.05
PART NAME	SPECIFICACIONES			CODE
Upper handlebar				1.2.0
DEVELOPED BY	REDESIGNED BY	FILENAME		QTY
		1.2.iam		1
		LICENSE	DOC. TYPE	SHEET
Hanfasser		CC-BY-SA 4.0	Assembly	37 /147

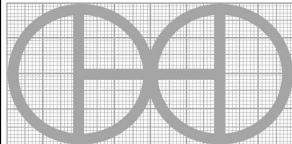
OHO e.V.

2 : 25

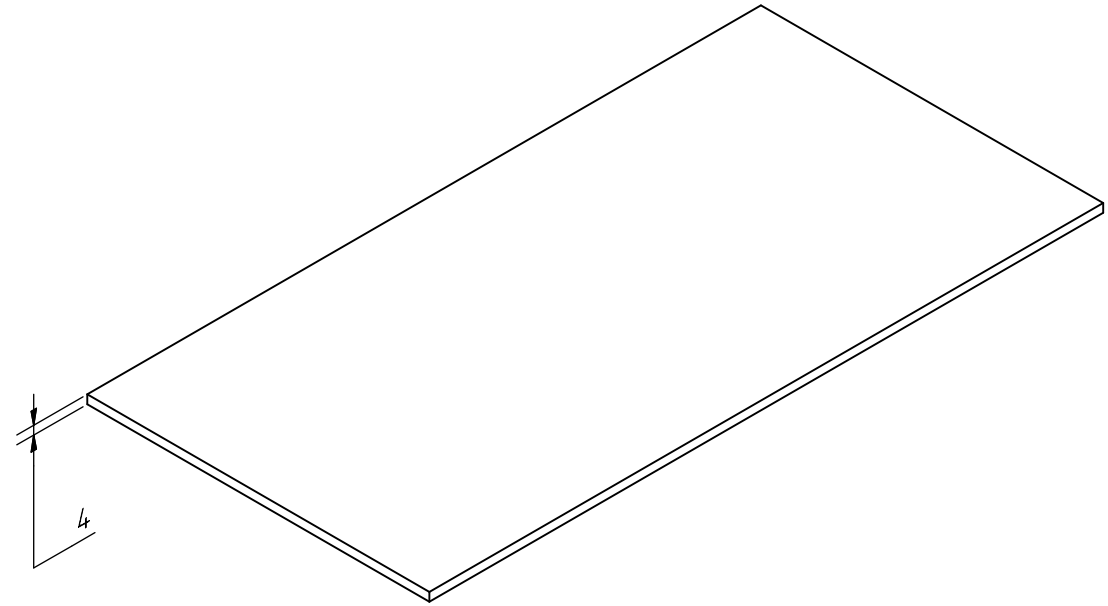


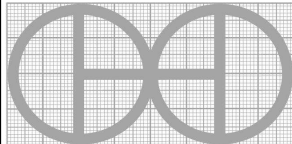
PROJECT		CREATED BY		APPROVED BY		DATE		VERSION	
Vertical Drum Hemp Harvester		A. Morillo		D. Jaeger		12-04-2024		0.05	
PART NAME				SPECIFICACIONES				CODE	
Upper handlebar								1.2.0	
DEVELOPED BY			REDESIGNED BY			FILENAME			QTY
Hanfasser						1.2.ipn			1
LICENSE		DOC. TYPE		SCALE		SHEET			
CC-BY-SA 4.0		Assembly		2 : 25		38 /147			

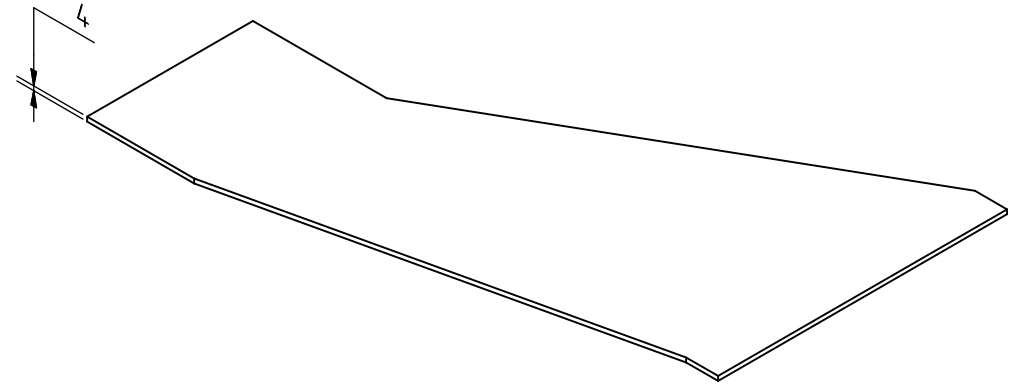
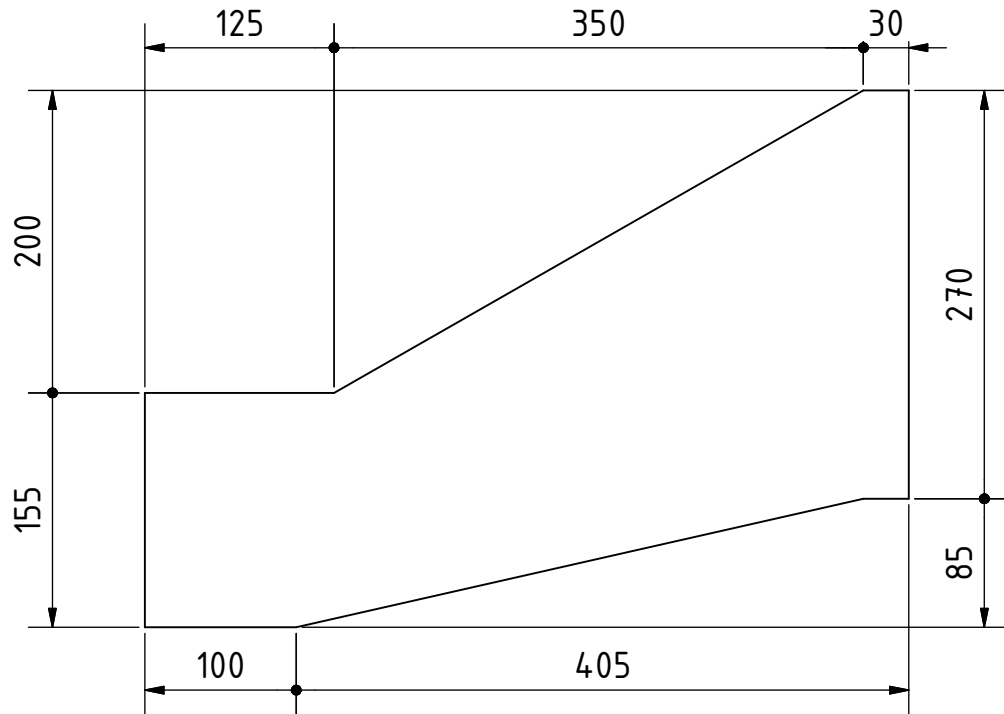


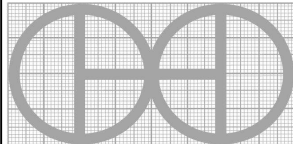
PROJECT	CREATED BY	APPROVED BY	DATE	VERSION	
Vertical Drum Hemp Harvester	A. Morillo	D. Jaeger	12-04-2024	0.05	
PART NAME	SPECIFICACIONES			CODE	
Part 1.2.1	Steel 235J2			1.2.1	
DEVELOPED BY	REDESIGNED BY	FILENAME		QTY	
Hanfasser		1.2.1.ipt		1	
		LICENSE	DOC. TYPE	SCALE	SHEET
		CC-BY-SA 4.0	Part	1 : 5	39 /147

OHO e.V.

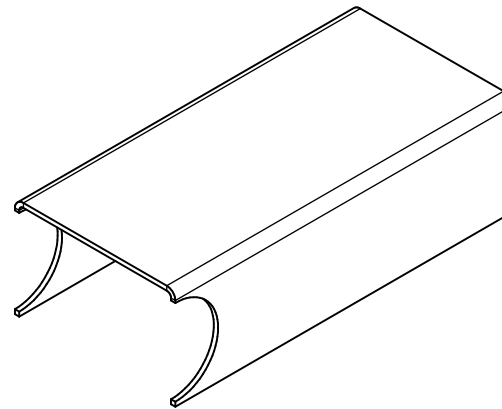
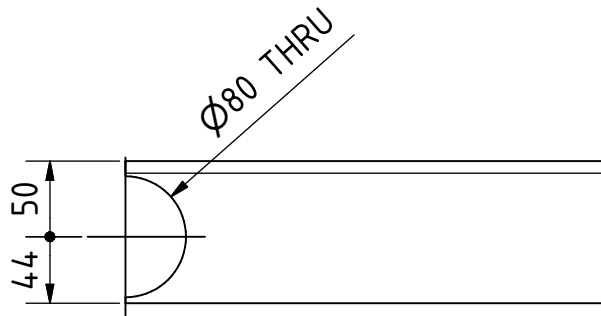
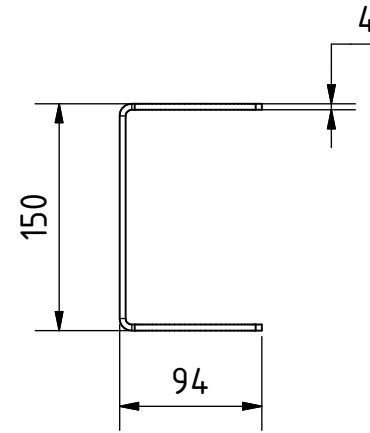
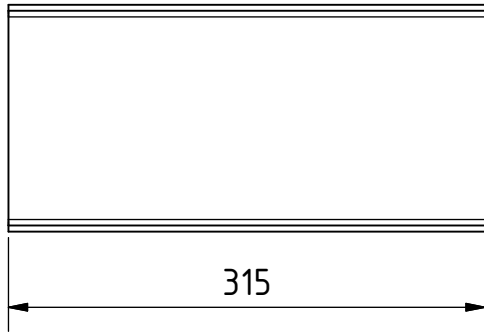


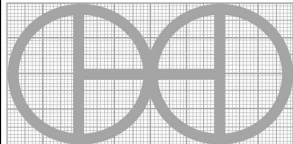
PROJECT		CREATED BY		APPROVED BY		DATE		VERSION	
Vertical Drum Hemp Harvester		A. Morillo		D. Jaeger		12-04-2024		0.05	
PART NAME		SPECIFICACIONES						CODE	
Part 1.2.2		Steel 235J2						1.2.2	
DEVELOPED BY		REDESIGNED BY		FILENAME				QTY	
Hanfasser				1.2.2.ipt				2	
				LICENSE		DOC. TYPE		SCALE	
				CC-BY-SA 4.0		Part		2 : 5	
								40 /147	

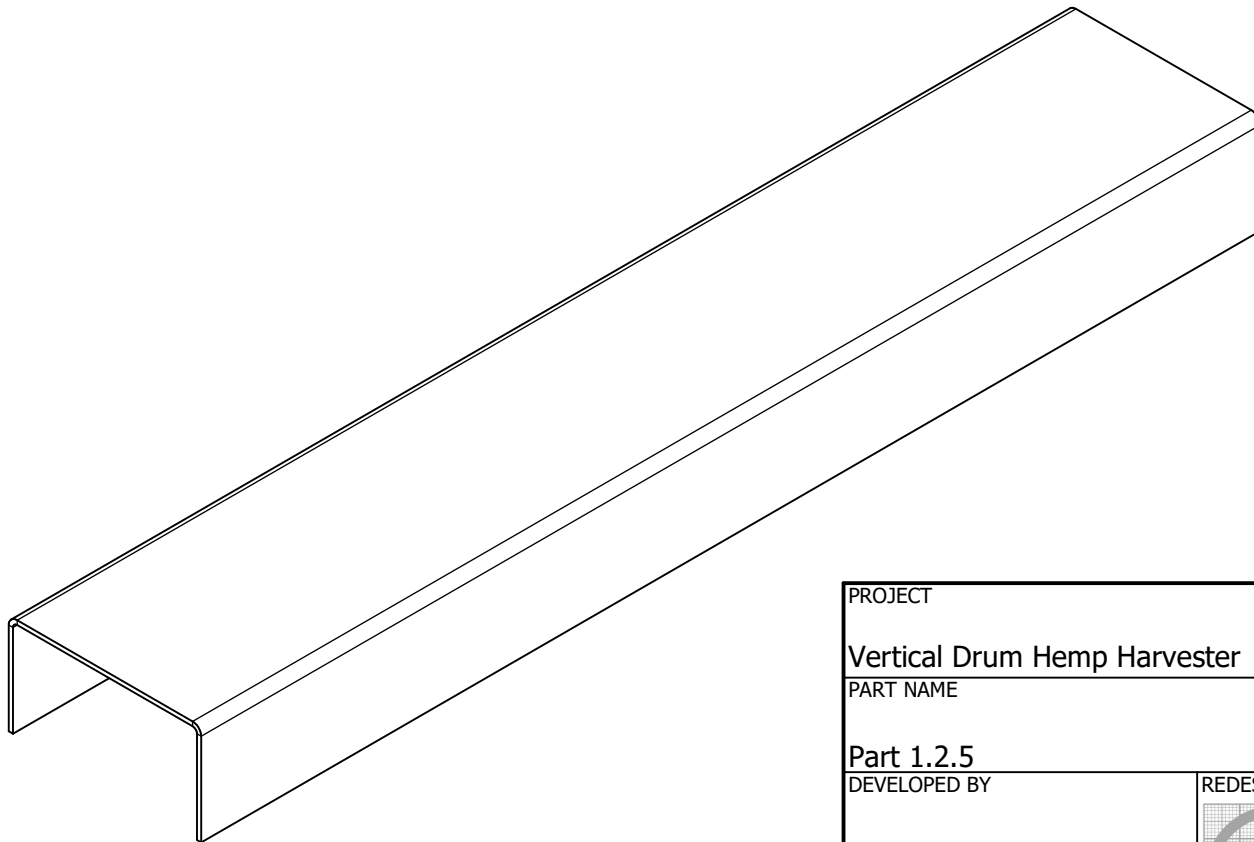
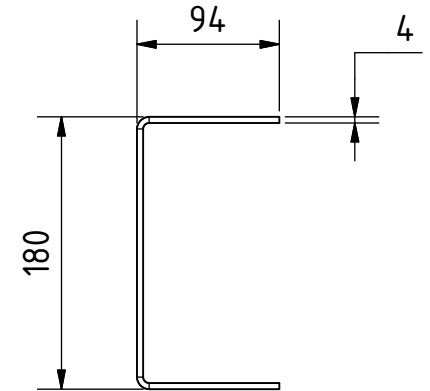
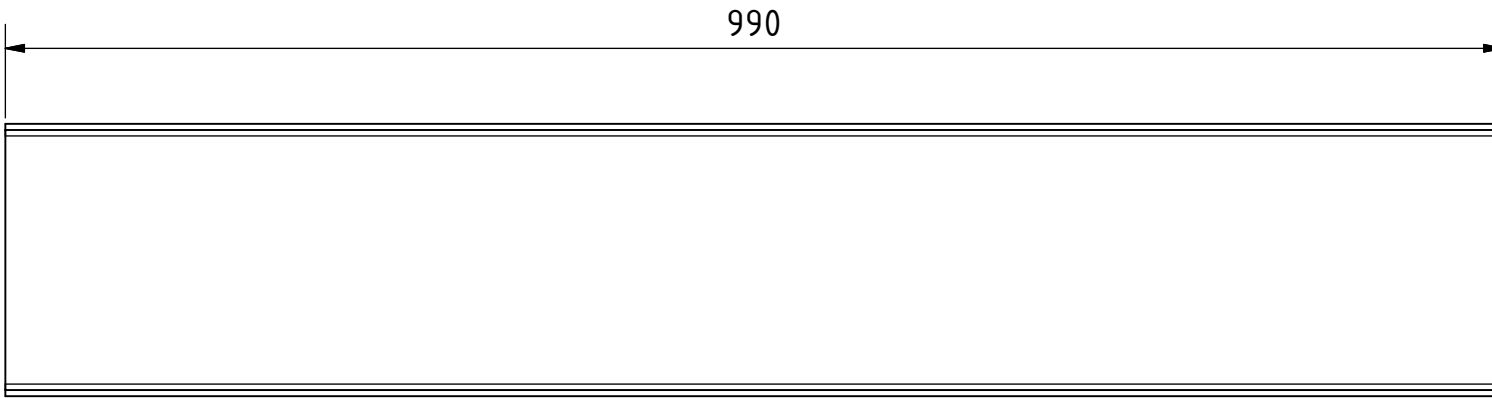


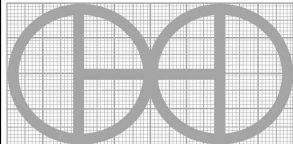
PROJECT	CREATED BY	APPROVED BY	DATE	VERSION	
Vertical Drum Hemp Harvester	A. Morillo	D. Jaeger	12-04-2024	0.05	
PART NAME	SPECIFICACIONES			CODE	
Part 1.2.3	Steel 235J2			1.2.3	
DEVELOPED BY	REDESIGNED BY	FILENAME		QTY	
Hanfasser		1.2.3.ipt		2	
		LICENSE	DOC. TYPE	SCALE	SHEET
		CC-BY-SA 4.0	Part	1 : 5	41 /147

OHO e.V.

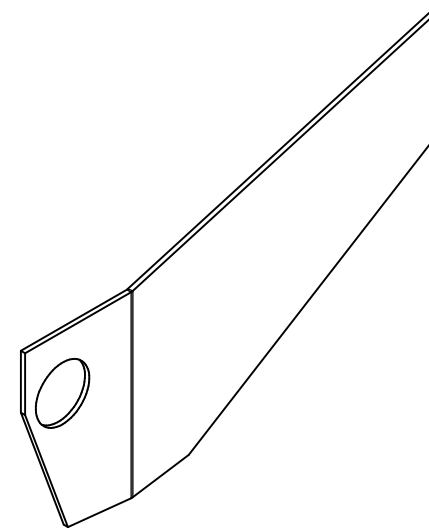
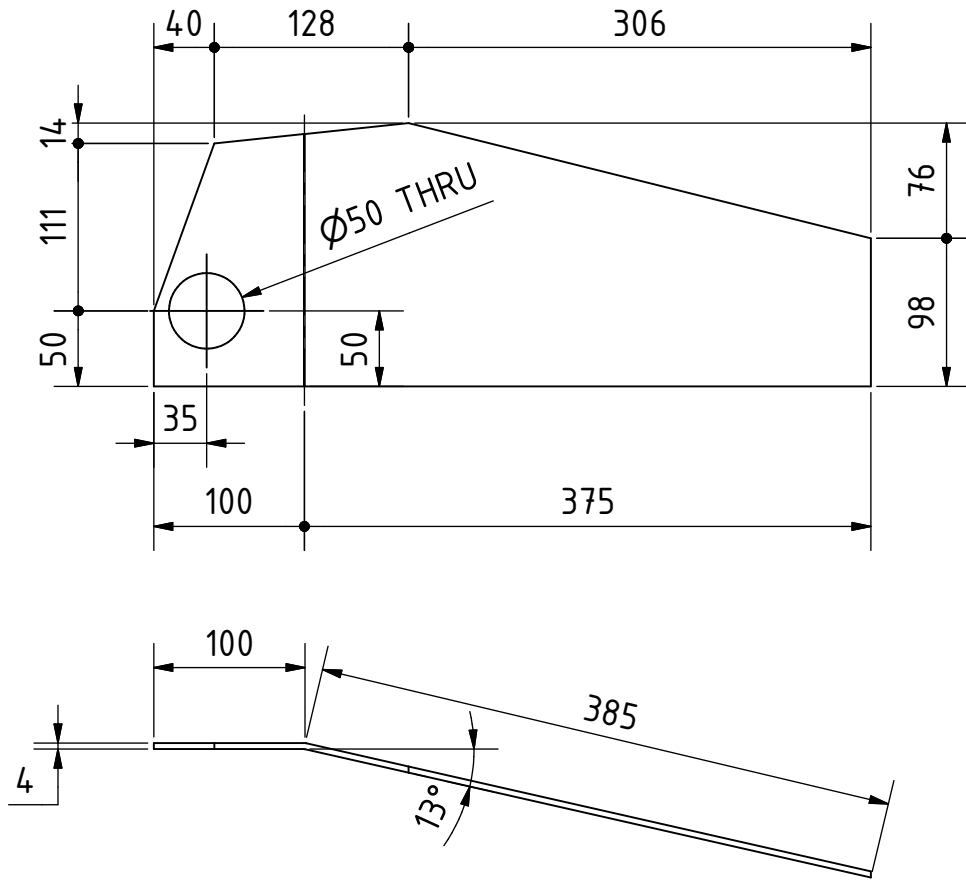


PROJECT	CREATED BY	APPROVED BY	DATE	VERSION	
Vertical Drum Hemp Harvester	A. Morillo	D. Jaeger	12-04-2024	0.05	
PART NAME	SPECIFICACIONES			CODE	
Part 1.2.4	Steel 235J2			1.2.4	
DEVELOPED BY	REDESIGNED BY	FILENAME		QTY	
Hanfasser		1.2.4.ipt		2	
		LICENSE	DOC. TYPE	SCALE	SHEET
		CC-BY-SA 4.0	Part	1 : 5	42 /147

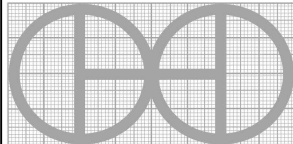


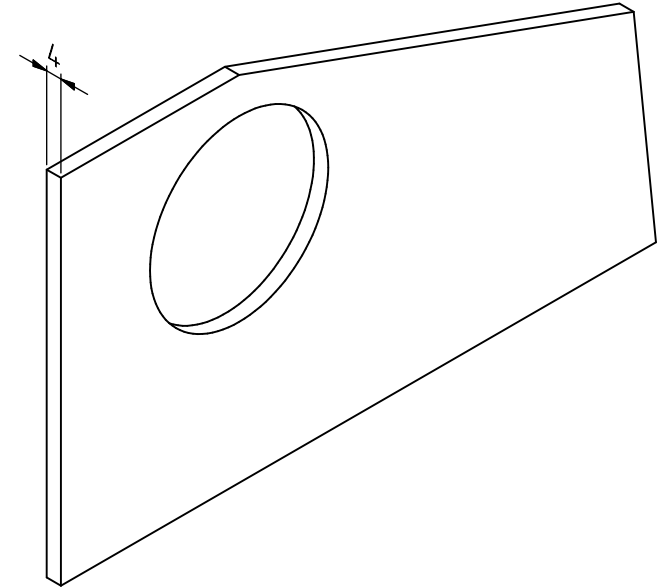
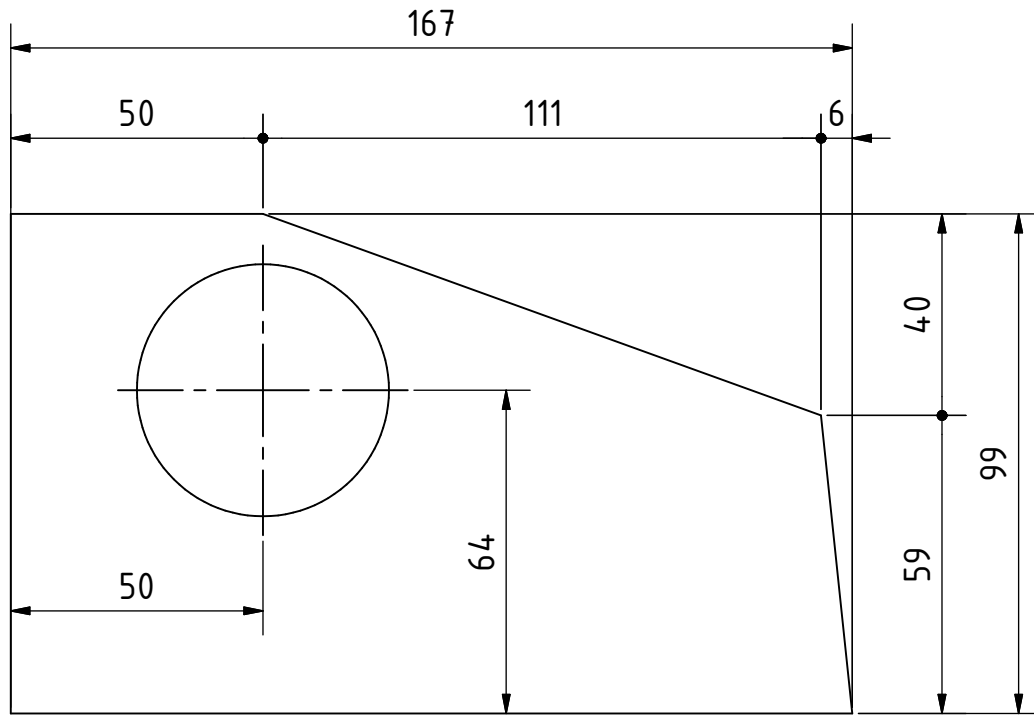
PROJECT	CREATED BY	APPROVED BY	DATE	VERSION	
Vertical Drum Hemp Harvester	A. Morillo	D. Jaeger	12-04-2024	0.05	
PART NAME	SPECIFICACIONES			CODE	
Part 1.2.5	Steel 235J2			1.2.5	
DEVELOPED BY	REDESIGNED BY	FILENAME	QTY		
Hanfasser		1.2.5.ipt	1		
		LICENSE	DOC. TYPE	SCALE	SHEET
		CC-BY-SA 4.0	Part	1 : 5	43 /147

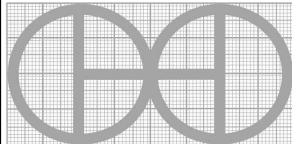
OHO e.V.

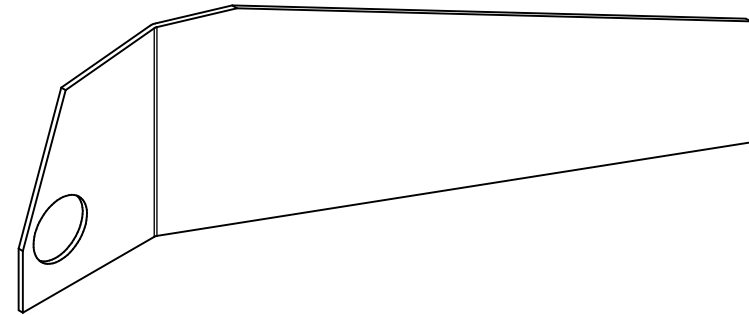
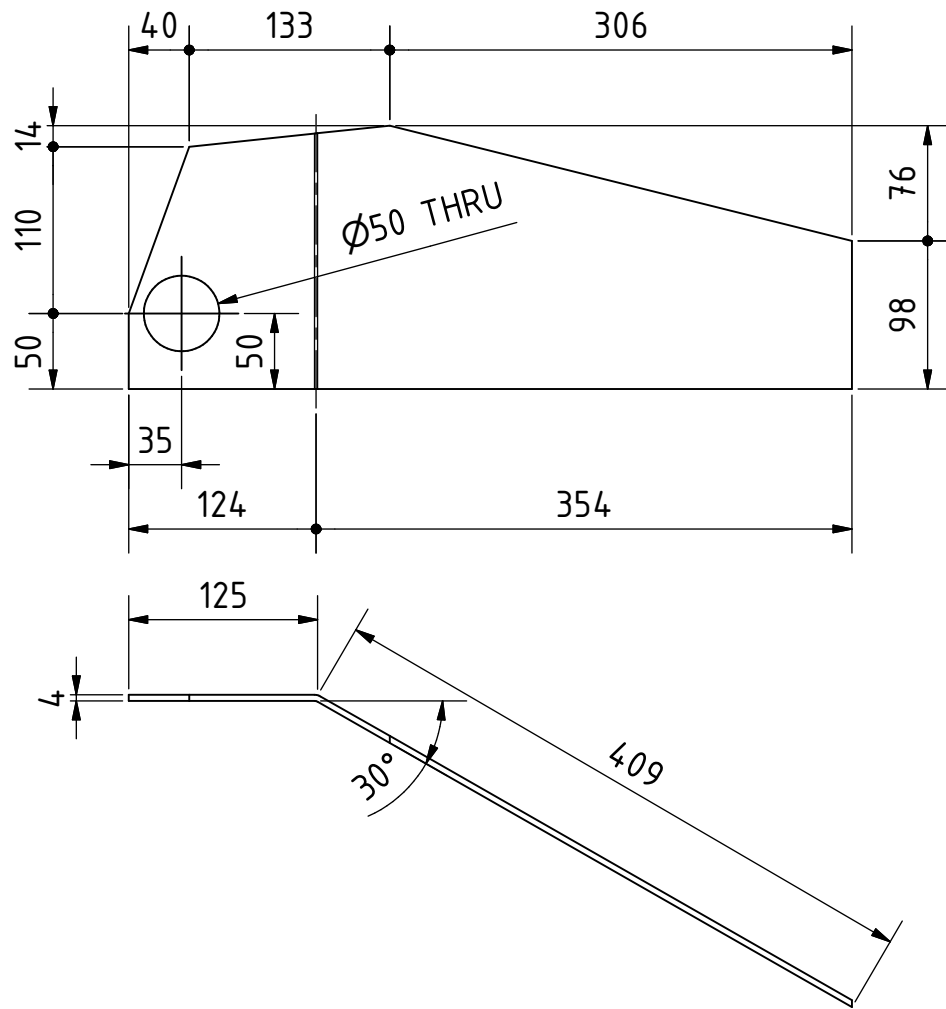


Symmetrical item

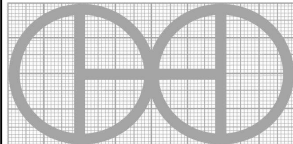
PROJECT	CREATED BY	APPROVED BY	DATE	VERSION	
Vertical Drum Hemp Harvester	A. Morillo	D. Jaeger	12-04-2024	0.05	
PART NAME	SPECIFICACIONES			CODE	
Part 1.2.6				1.2.6	
DEVELOPED BY	REDESIGNED BY	FILENAME		QTY	
		1.2.6.ipt			
Handfasser		LICENSE	DOC. TYPE	SCALE	SHEET
		CC-BY-SA 4.0	Part	1 : 5	44 /147

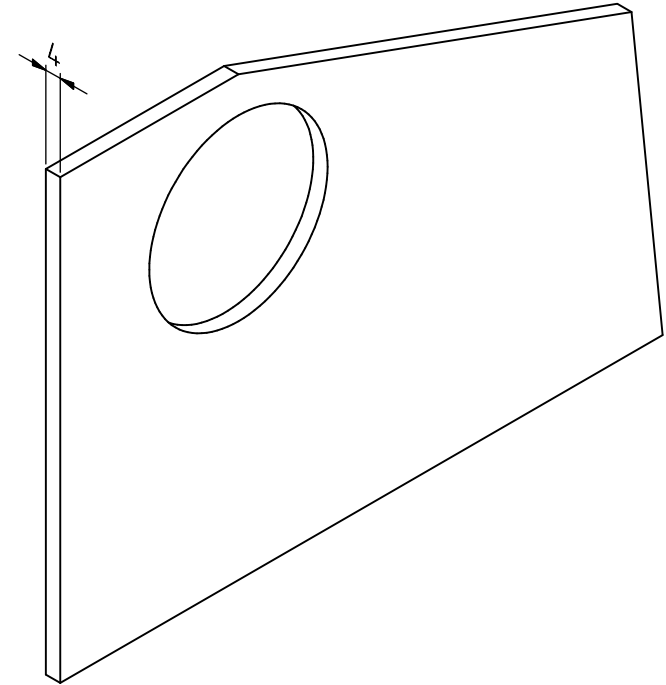
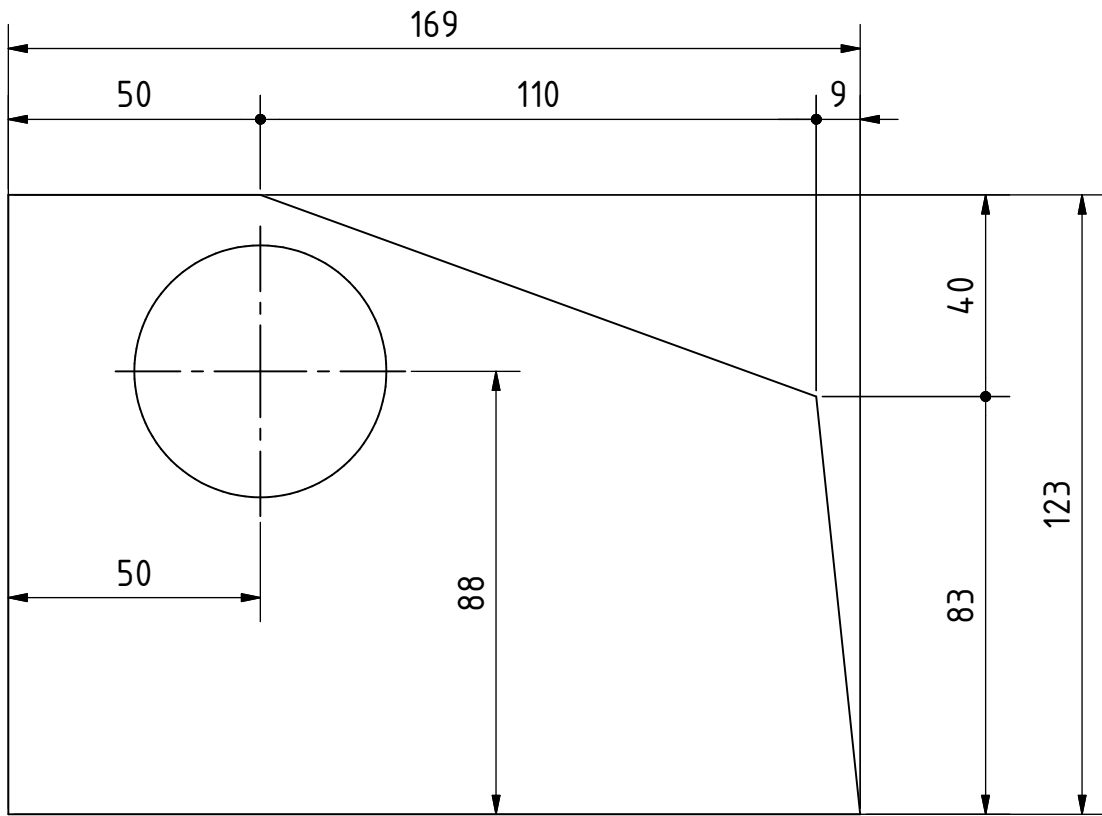


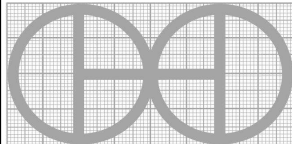
PROJECT		CREATED BY		APPROVED BY		DATE		VERSION		
Vertical Drum Hemp Harvester		A. Morillo		D. Jaeger		12-04-2024		0.05		
PART NAME		SPECIFICACIONES							CODE	
Part 1.2.6_C		Steel 235J2							1.2.6_C	
DEVELOPED BY		REDESIGNED BY		FILENAME				QTY		
Hanfasser				1.2.6_C.ipt				2		
		OHO e.V.		LICENSE		DOC. TYPE		SCALE		
				CC-BY-SA 4.0		Part		2 : 3		
								45 /147		

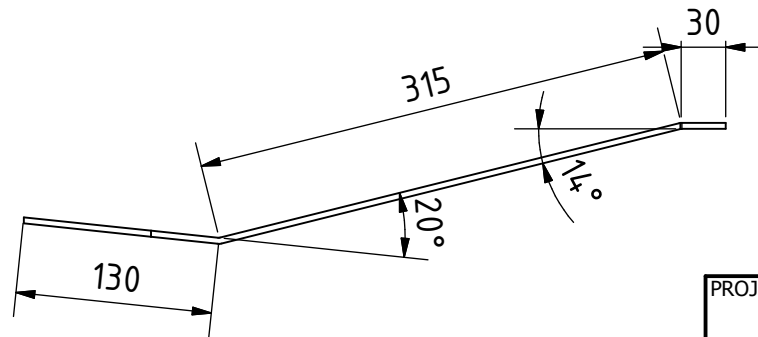
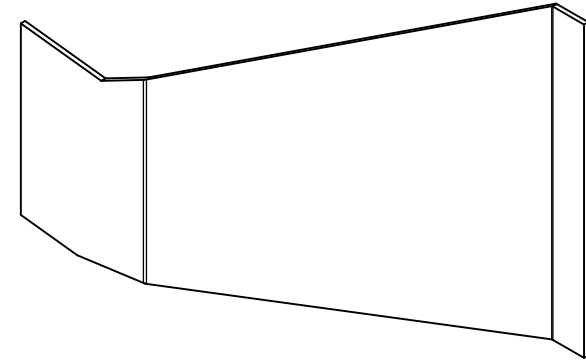
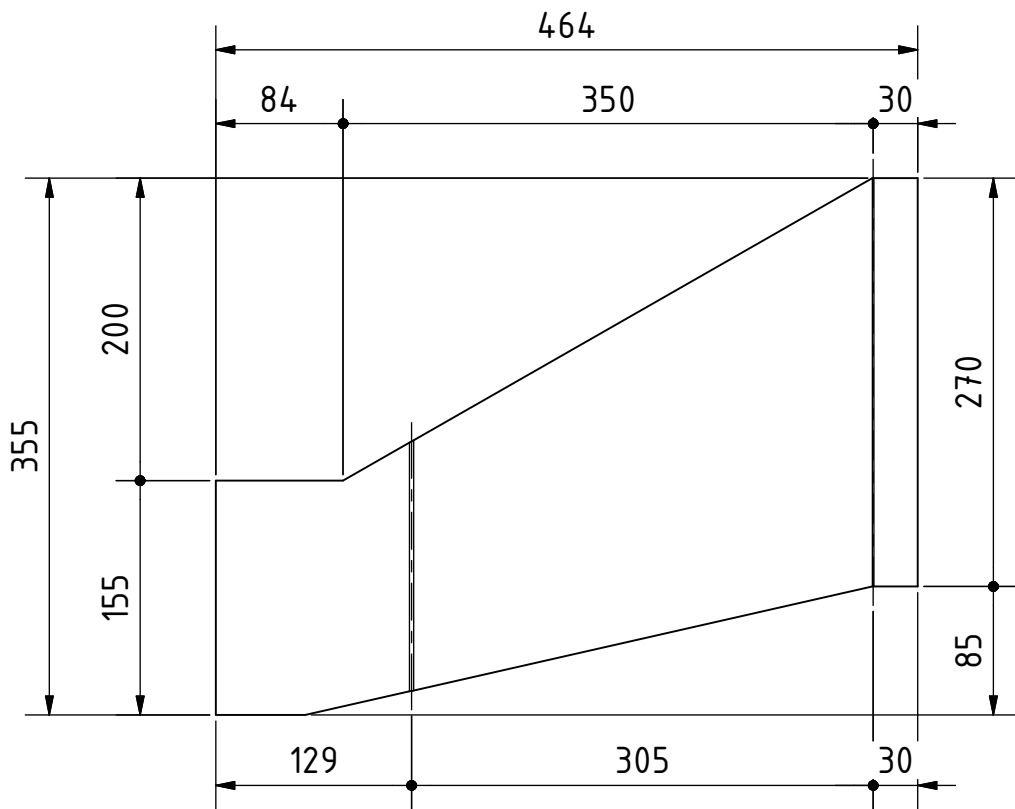


Symmetrical item

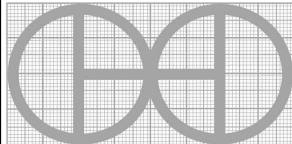
PROJECT	CREATED BY	APPROVED BY	DATE	VERSION
Vertical Drum Hemp Harvester	A. Morillo	D. Jaeger	12-04-2024	0.05
PART NAME	SPECIFICACIONES			CODE
Part 1.2.7				1.2.7
DEVELOPED BY	REDESIGNED BY	FILENAME		QTY
Handfasser		1.2.7.ipt		
		LICENSE	DOC. TYPE	SCALE
		CC-BY-SA 4.0	Part	1 : 5
				SHEET
				46 /147



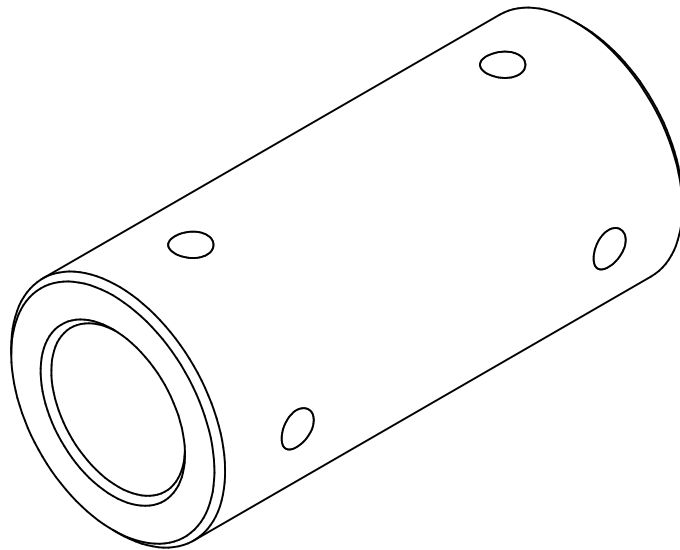
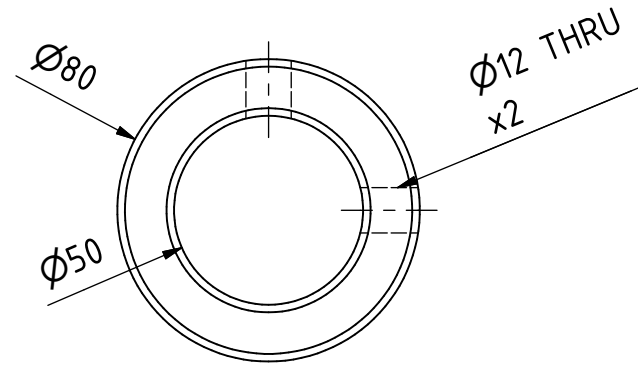
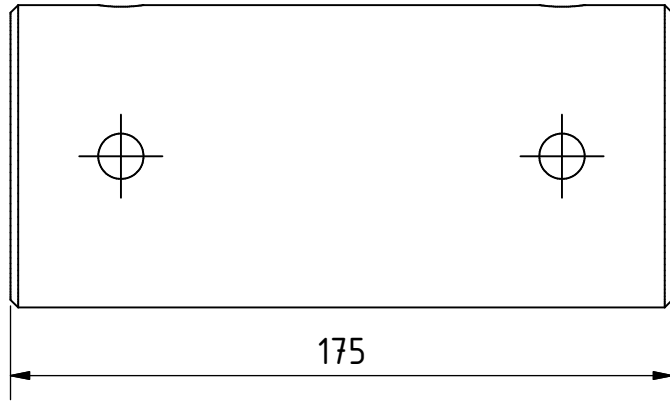
PROJECT	CREATED BY	APPROVED BY	DATE	VERSION	
Vertical Drum Hemp Harvester	A. Morillo	D. Jaeger	12-04-2024	0.05	
PART NAME	SPECIFICACIONES			CODE	
Part 1.2.7_C	Steel 235J2			1.2.7_C	
DEVELOPED BY	REDESIGNED BY	FILENAME	QTY		
Hanfasser		OHO e.V. 1.2.7_C.ipt	2		
		LICENSE	DOC. TYPE	SCALE	SHEET
		CC-BY-SA 4.0	Part	2 : 3	47 /147

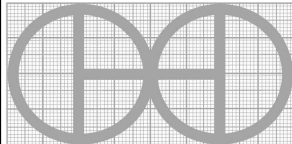


Symmetrical item

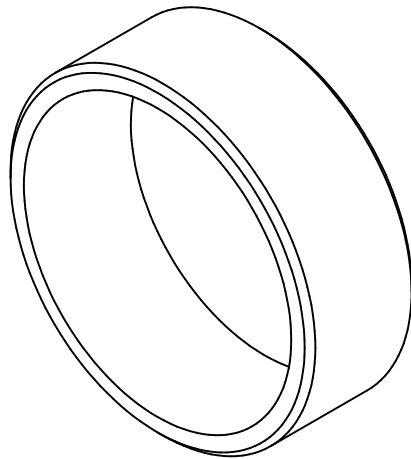
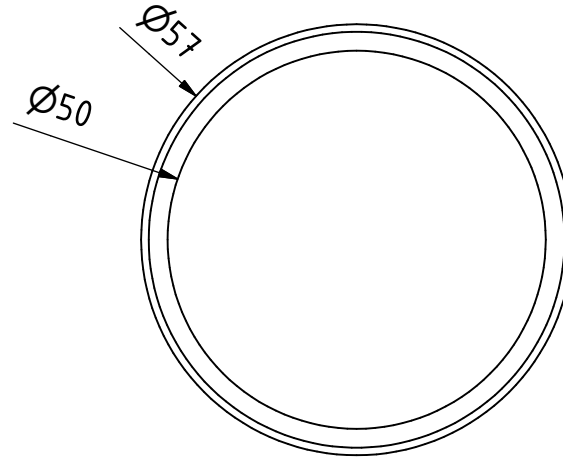
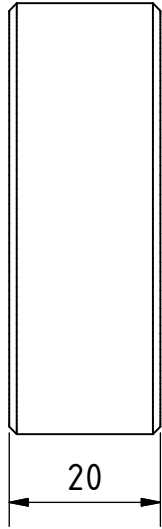
PROJECT	CREATED BY	APPROVED BY	DATE	VERSION	
Vertical Drum Hemp Harvester	A. Morillo	D. Jaeger	12-04-2024	0.05	
PART NAME	SPECIFICACIONES			CODE	
Part 1.2.8	Steel 235J2			1.2.8	
DEVELOPED BY	REDESIGNED BY	FILENAME	QTY		
Hanfasser		1.2.8.ipt	2		
		LICENSE	DOC. TYPE	SCALE	SHEET
		CC-BY-SA 4.0	Part	1 : 5	48 /147

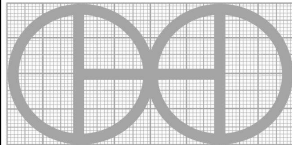
OHO e.v.



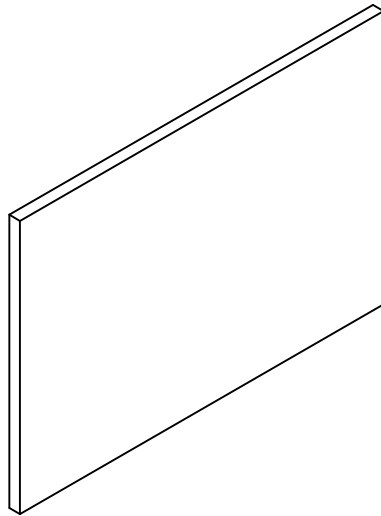
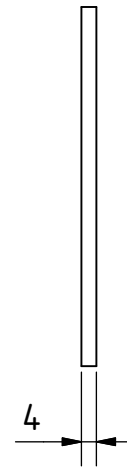
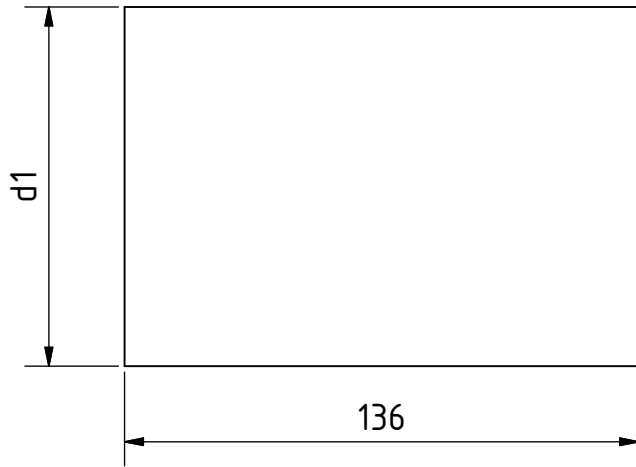
PROJECT	CREATED BY	APPROVED BY	DATE	VERSION	
Vertical Drum Hemp Harvester	A. Morillo	D. Jaeger	12-04-2024	0.05	
PART NAME	SPECIFICACIONES			CODE	
Part 1.2.9_1	Steel 235J2			1.2.9_1	
DEVELOPED BY	REDESIGNED BY	FILENAME		QTY	
Hanfasser		1.2.9.ipt		2	
		LICENSE	DOC. TYPE	SCALE	SHEET
		CC-BY-SA 4.0	Part	1 : 2	49 /147

OHO e.V.

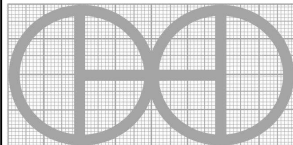


PROJECT	CREATED BY	APPROVED BY	DATE	VERSION	
Vertical Drum Hemp Harvester	A. Morillo	D. Jaeger	12-04-2024	0.05	
PART NAME	SPECIFICACIONES			CODE	
Part 1.2.9_2	Steel 235J2			1.2.9_2	
DEVELOPED BY	REDESIGNED BY	FILENAME		QTY	
Hanfasser		1.2.9_A.ipt		2	
		LICENSE	DOC. TYPE	SCALE	SHEET
		CC-BY-SA 4.0	Part	1 : 1	50 /147

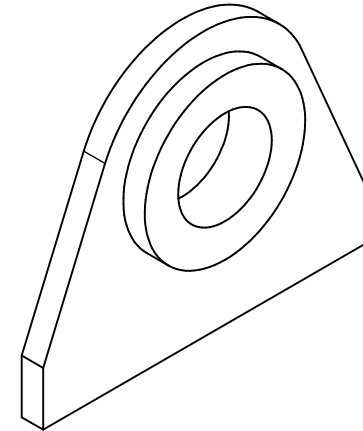
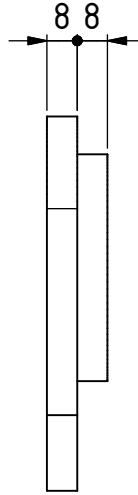
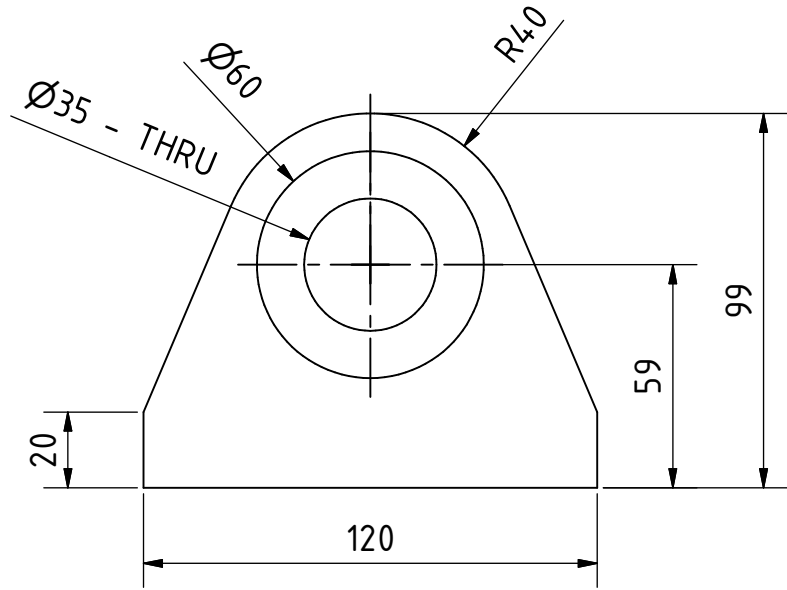
OHO e.V.

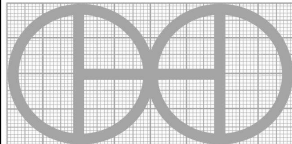


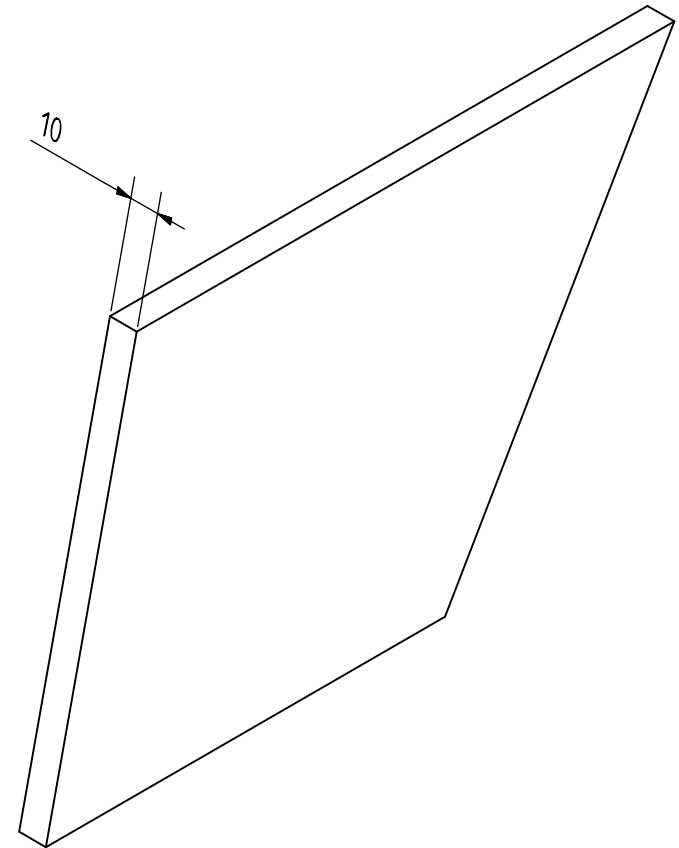
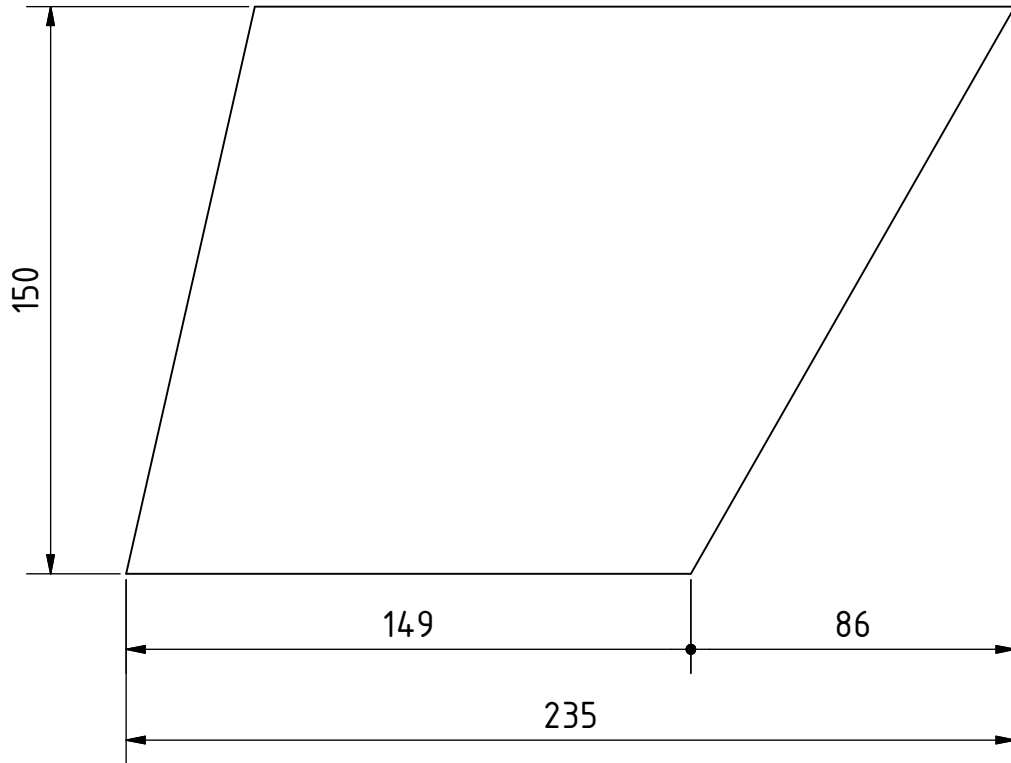
Size table	
Pos	d1
1.2.10_1	95 mm
1.2.10_2	45 mm

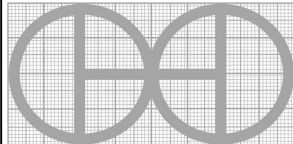
PROJECT	CREATED BY	APPROVED BY	DATE	VERSION	
Vertical Drum Hemp Harvester	A. Morillo	D. Jaeger	12-04-2024	0.05	
PART NAME	SPECIFICACIONES			CODE	
Part 1.2.10	Steel 235J2			1.2.10	
DEVELOPED BY	REDESIGNED BY	FILENAME		QTY	
Hanfasser		1.2.10.ipt		4 (2A,2B)	
		LICENSE	DOC. TYPE	SCALE	SHEET
		CC-BY-SA 4.0	Part	1 : 2	51 /147

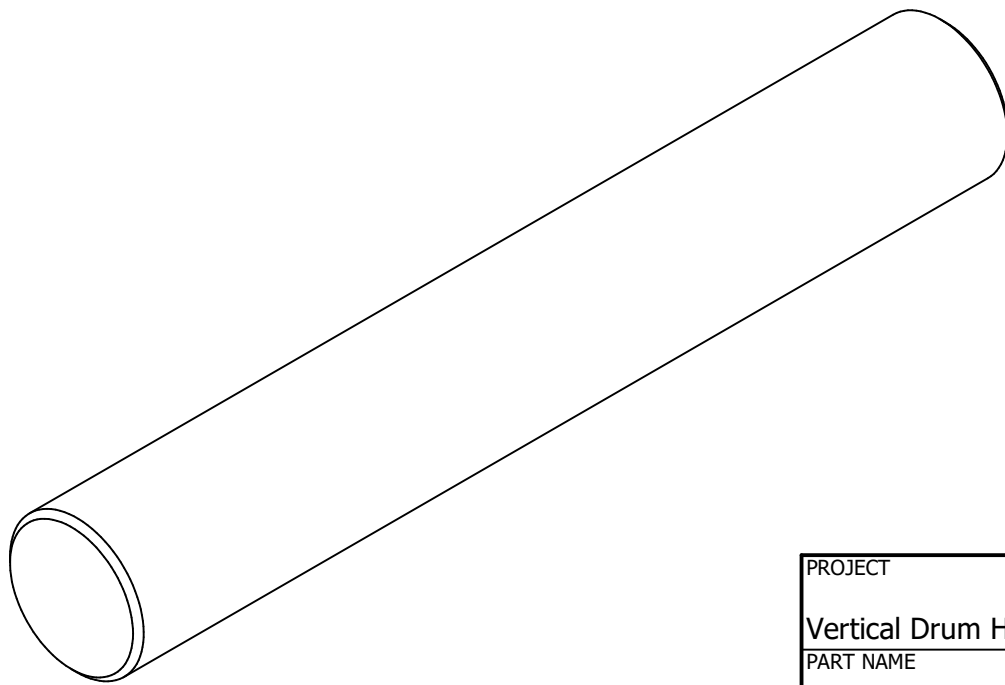
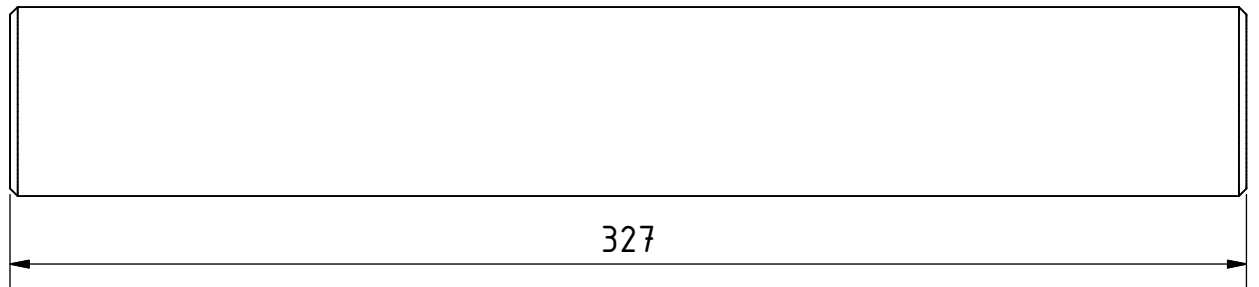
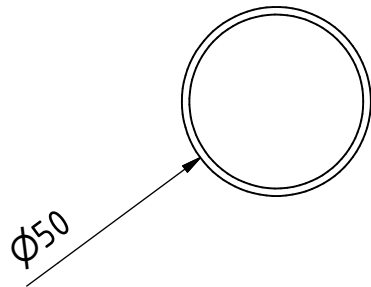
OHO e.V.

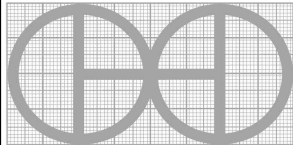


PROJECT	CREATED BY	APPROVED BY	DATE	VERSION	
Vertical Drum Hemp Harvester	A. Morillo	D. Jaeger	12-04-2024	0.05	
PART NAME	SPECIFICACIONES			CODE	
Upper handlebar_part11	Steel 235J2			1.2.11	
DEVELOPED BY	REDESIGNED BY	FILENAME		QTY	
Hanfasser		1.2.11.ipt		4	
		LICENSE	DOC. TYPE	SCALE	SHEET
		CC-BY-SA 4.0	Part	1 : 2	52 /147

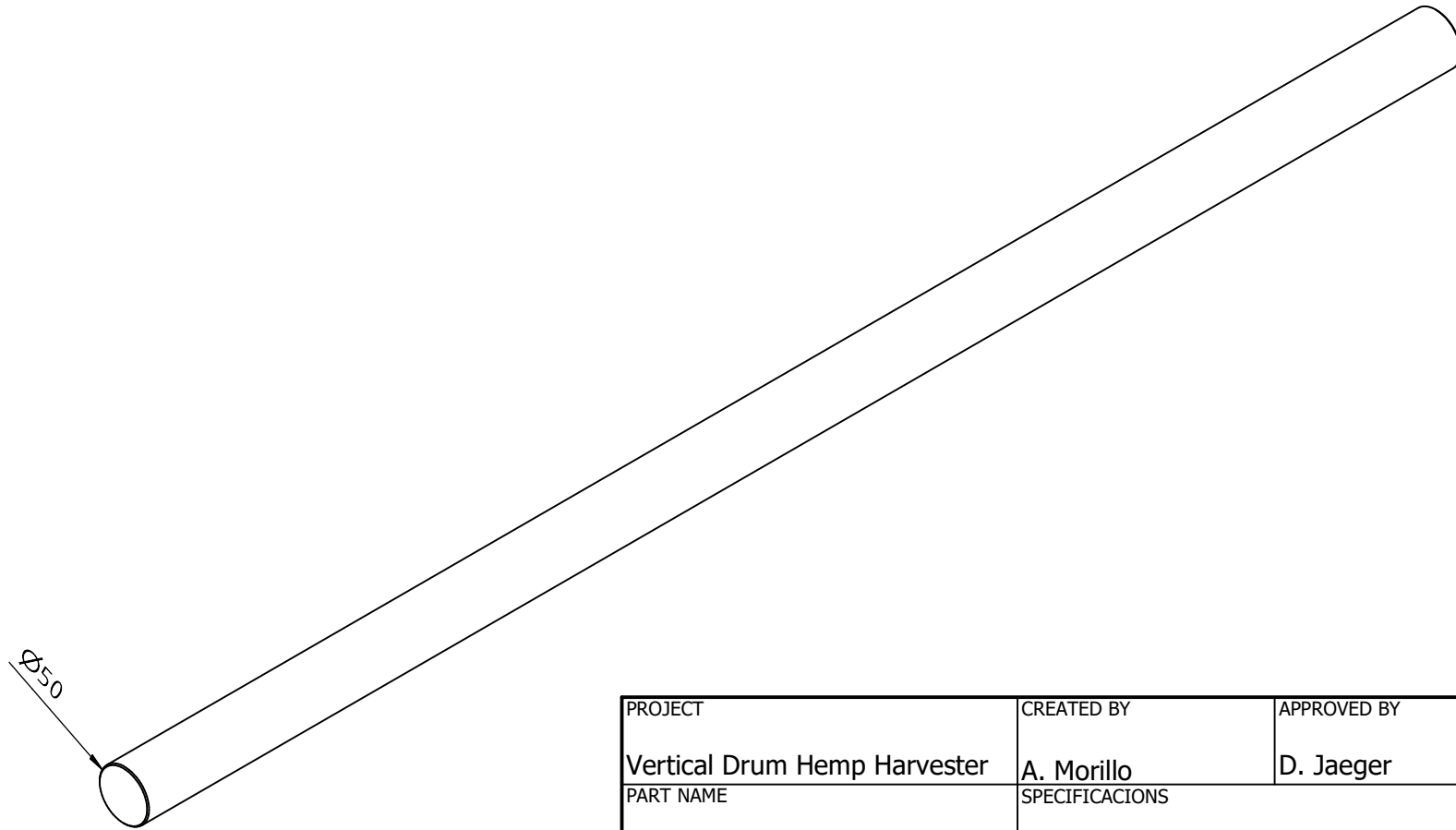
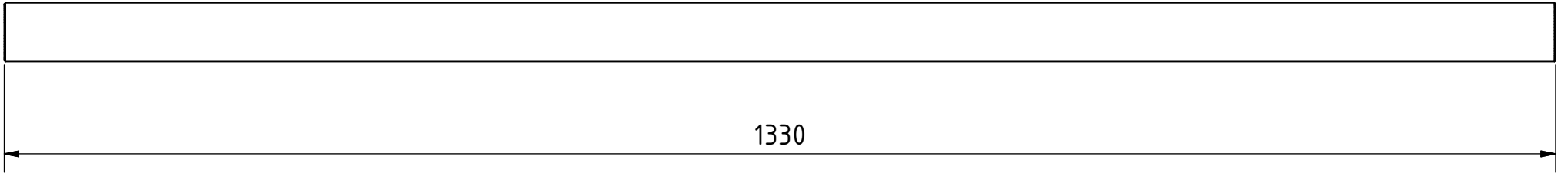


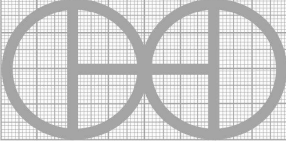
PROJECT	CREATED BY	APPROVED BY	DATE	VERSION	
Vertical Drum Hemp Harvester	A. Morillo	D. Jaeger	12-04-2024	0.05	
PART NAME	SPECIFICACIONES			CODE	
Upper handlebar_part11	Steel 235J2			1.2.12	
DEVELOPED BY	REDESIGNED BY	FILENAME		QTY	
Hanfasser		1.2.12.ipt		2	
		LICENSE	DOC. TYPE	SCALE	SHEET
		CC-BY-SA 4.0	Part	1 : 2	53 /147



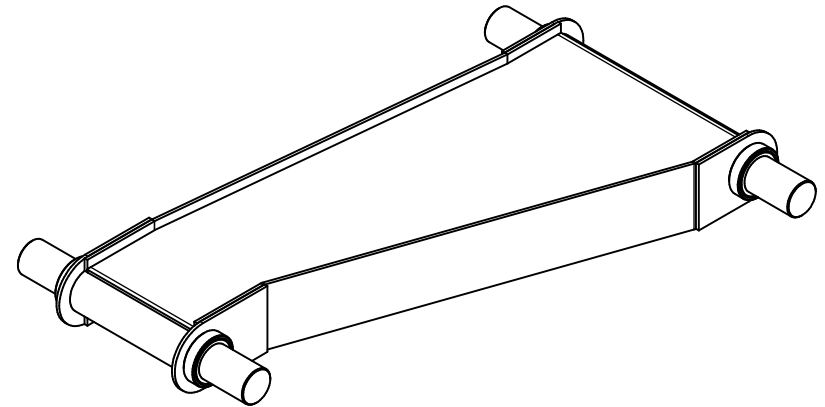
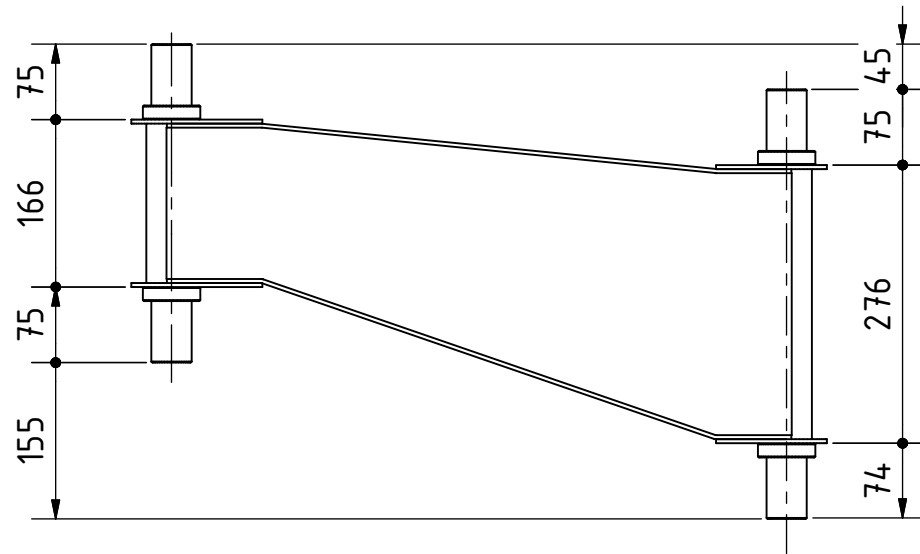
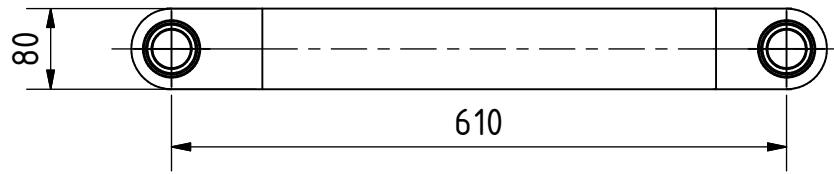
PROJECT	CREATED BY	APPROVED BY	DATE	VERSION	
Vertical Drum Hemp Harvester	A. Morillo	D. Jaeger	12-04-2024	0.05	
PART NAME	SPECIFICACIONES			CODE	
Upper handlebar_part11	Steel 235J2			1.2.13	
DEVELOPED BY	REDESIGNED BY	FILENAME		QTY	
Hanfasser		1.2.13.ipt		2	
		LICENSE	DOC. TYPE	SCALE	SHEET
		CC-BY-SA 4.0	Part	1 : 2	54 /147

OHO e.V.

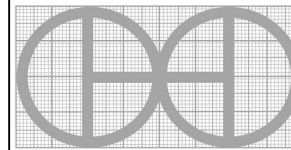


PROJECT	CREATED BY	APPROVED BY	DATE	VERSION	
Vertical Drum Hemp Harvester	A. Morillo	D. Jaeger	12-04-2024	0.05	
PART NAME	SPECIFICACIONES			CODE	
Axle	Steel 235J2			1.3.0	
DEVELOPED BY	REDESIGNED BY	FILENAME		QTY	
Hanfasser		1.3.ipt		1	
		LICENSE	DOC. TYPE	SCALE	SHEET
		CC-BY-SA 4.0	Part	1 : 5	55 /147

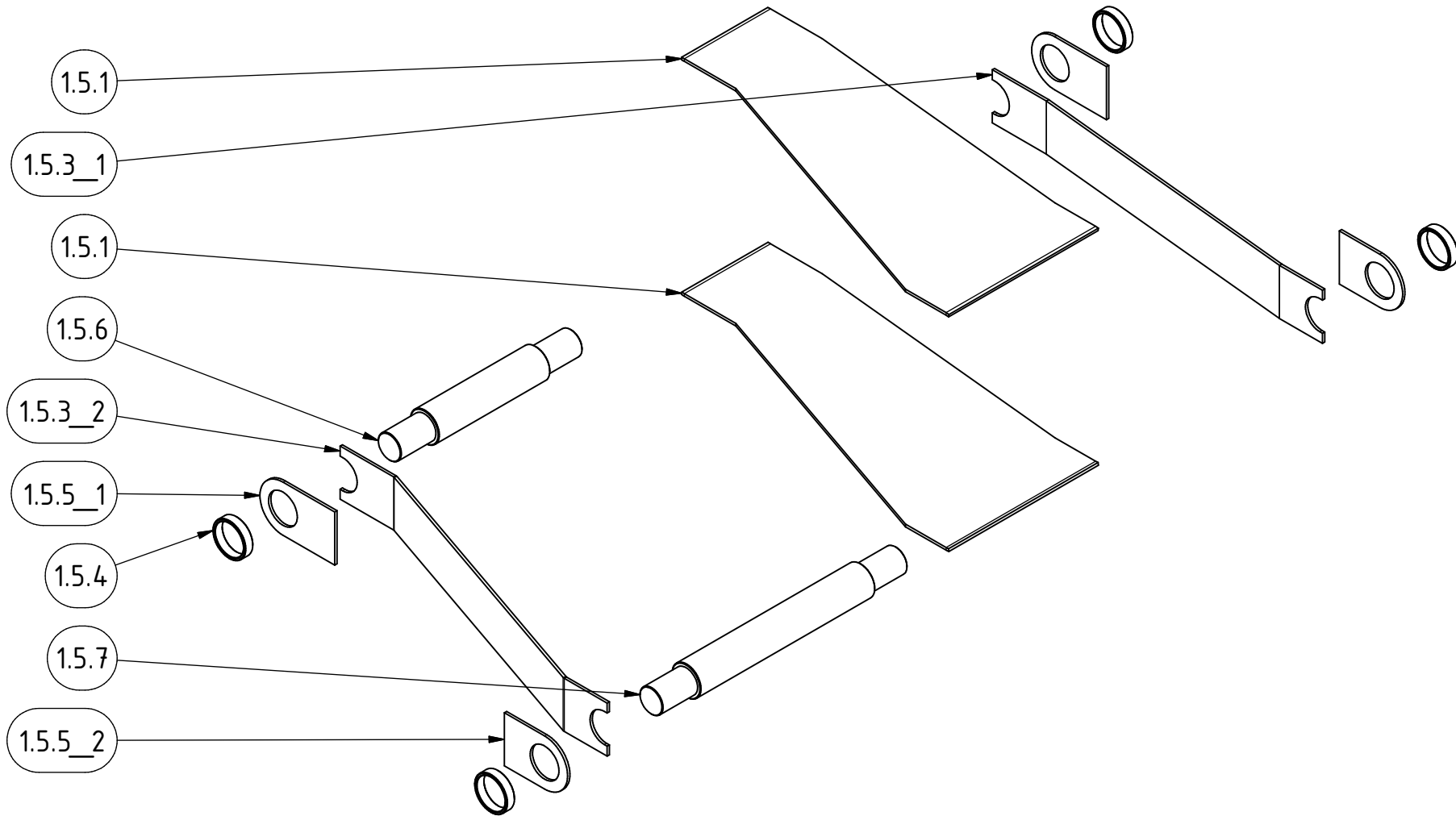
OHO e.V.

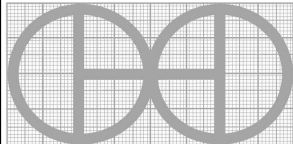


PROJECT	CREATED BY	APPROVED BY	DATE	VERSION
Vertical Drum Hemp Harvester	A. Morillo	D. Jaeger	12-04-2024	0.05
PART NAME	SPECIFICACIONES			CODE
Lower control arm				1.5.0
DEVELOPED BY	REDESIGNED BY	FILENAME		QTY
		1.5.iam		2
		LICENSE	DOC. TYPE	SCALE
		CC-BY-SA 4.0	Assembly	2 : 15
Handfasser				56 /147

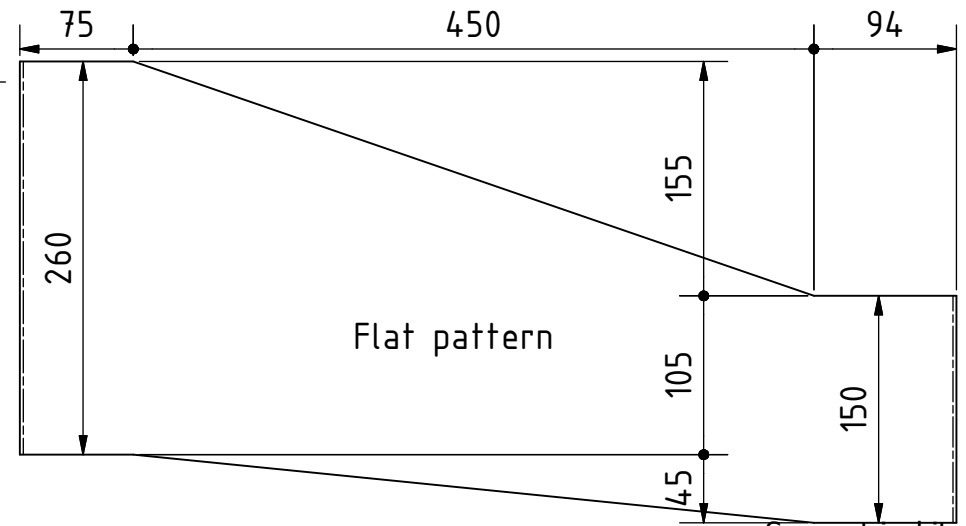
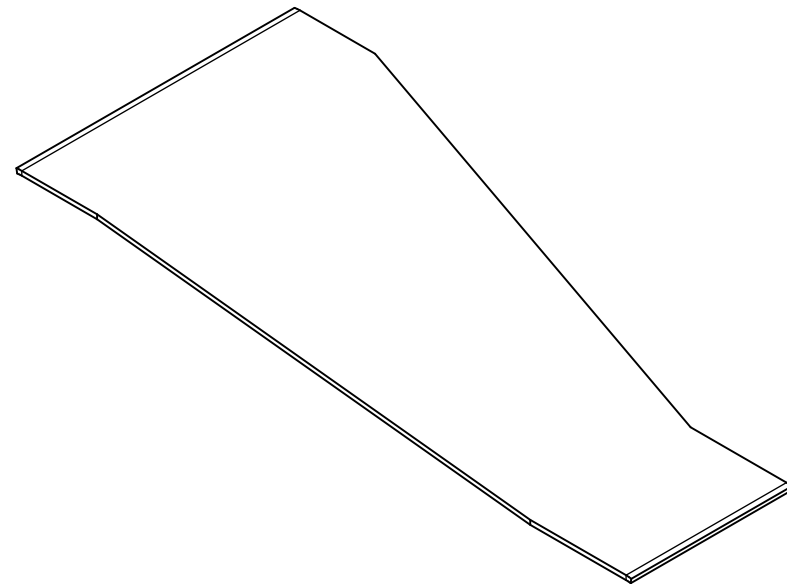
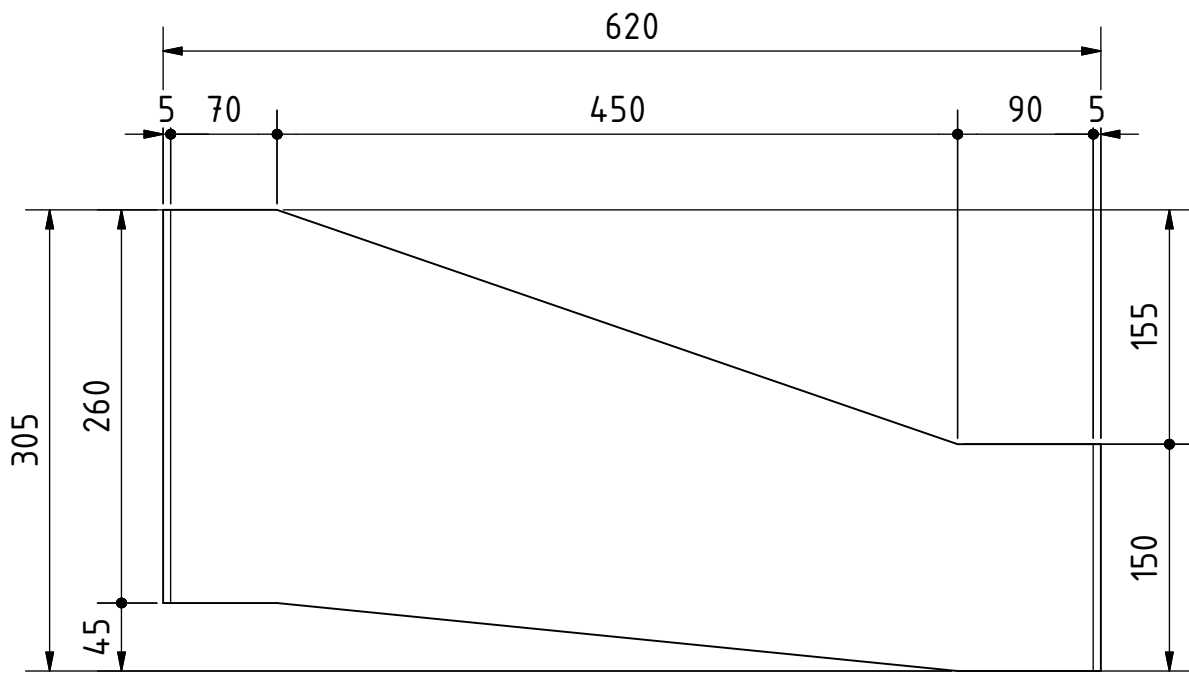


OHO e.V.



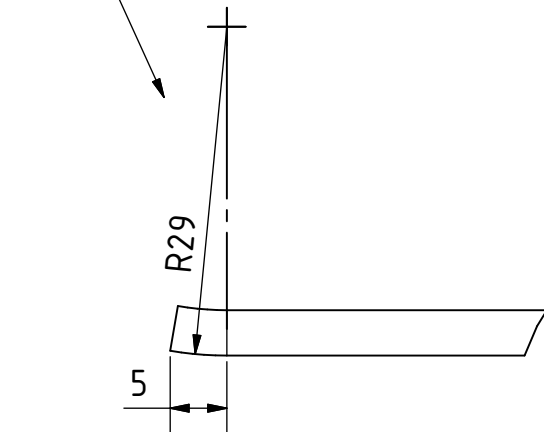
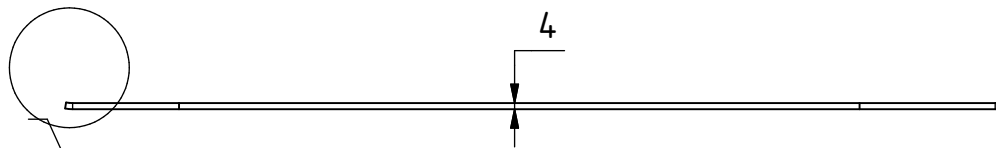
PROJECT	CREATED BY	APPROVED BY	DATE	VERSION
Vertical Drum Hemp Harvester	A. Morillo	D. Jaeger	12-04-2024	0.05
PART NAME	SPECIFICACIONES			CODE
Lower control arm				1.5.0
DEVELOPED BY	REDESIGNED BY	FILENAME	QTY	
		1.5.ipn	2	
		LICENSE	DOC. TYPE	SCALE
Hanfasser		CC-BY-SA 4.0	Assembly	2 : 15
				SHEET
				57 /147

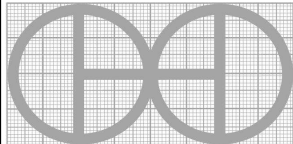
OHO e.V.

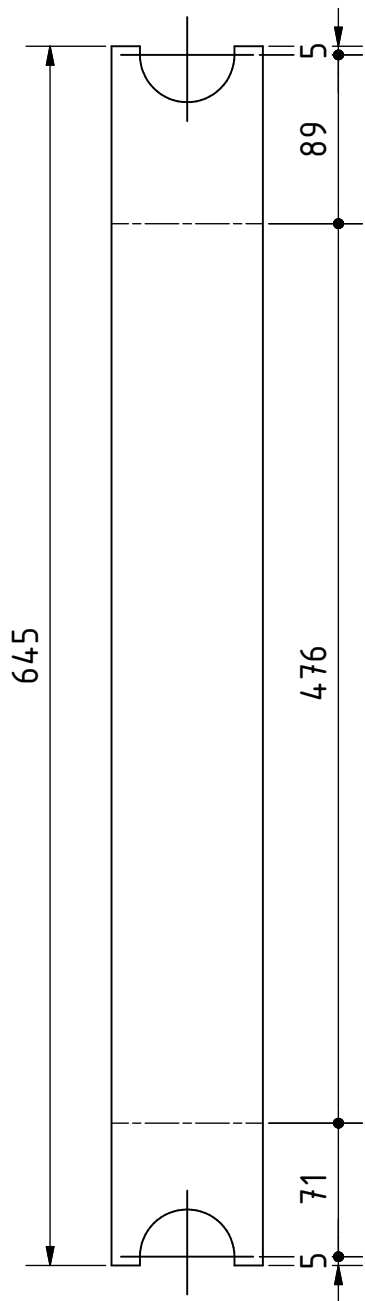


Flat pattern

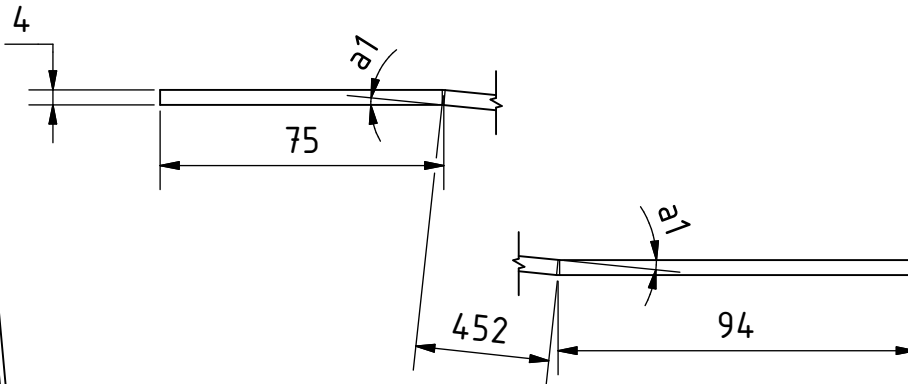
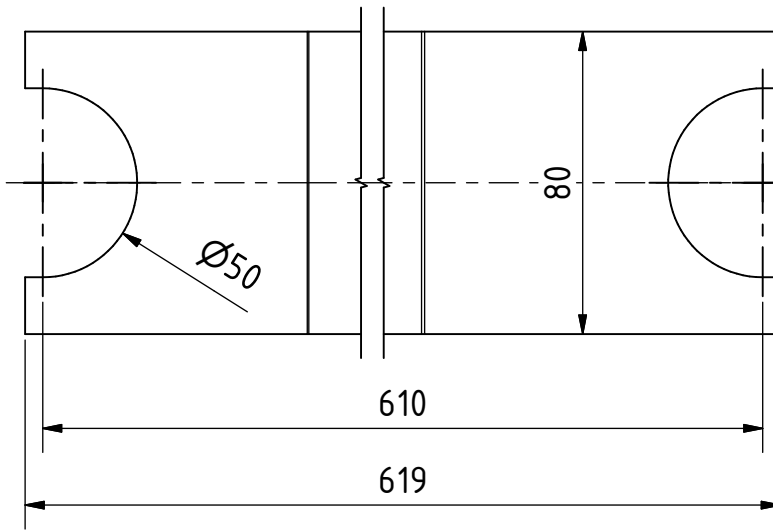
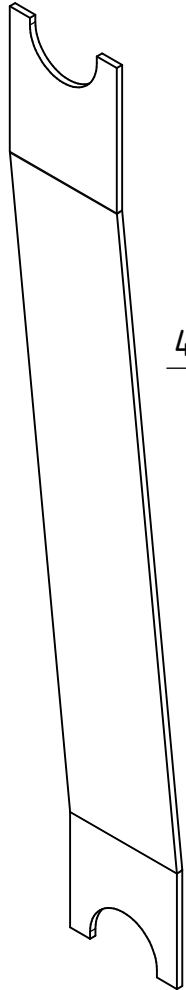
Symmetrical item



PROJECT	CREATED BY	APPROVED BY	DATE	VERSION		
Vertical Drum Hemp Harvester	A. Morillo	D. Jaeger	12-04-2024	0.05		
PART NAME	SPECIFICACIONES			CODE		
Part 1.5.1	Steel 235J2			1.5.1		
DEVELOPED BY	REDESIGNED BY	FILENAME	QTY			
Hanfasser		OHO e.V.	2			
		1.5.1.ipt	LICENSE	DOC. TYPE	SCALE	SHEET
		CC-BY-SA 4.0	Part	1 : 5	58 /147	

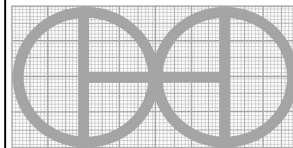


Flat pattern



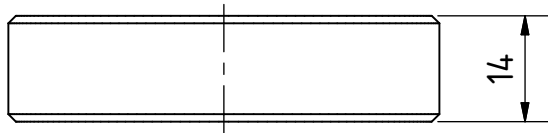
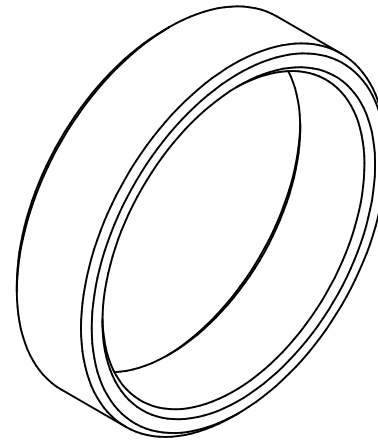
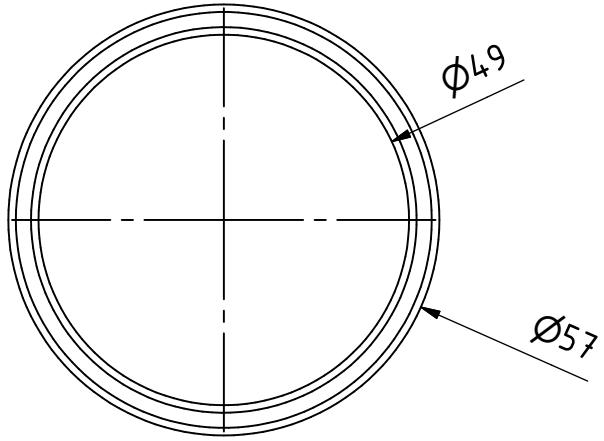
Size table	
Pos	a1
1.5.3_1	6°
1.5.3_2	11°

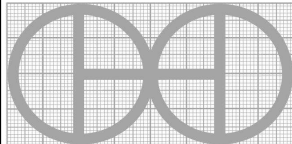
PROJECT	CREATED BY	APPROVED BY	DATE	VERSION
Vertical Drum Hemp Harvester	A. Morillo	D. Jaeger	12-04-2024	0.05
PART NAME	SPECIFICACIONES			CODE
Part 1.5.3	Steel 235J2			1.5.3
DEVELOPED BY	REDESIGNED BY	FILENAME		QTY
		1.5.3.ipt		8
		LICENSE	DOC. TYPE	SCALE
		CC-BY-SA 4.0	Part	1 : 2
				SHEET
				59 /147



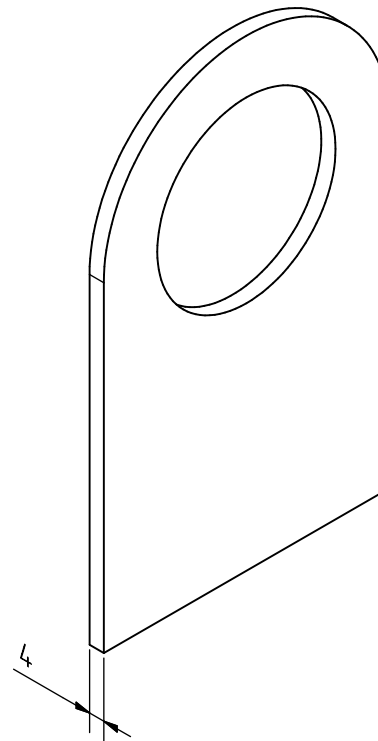
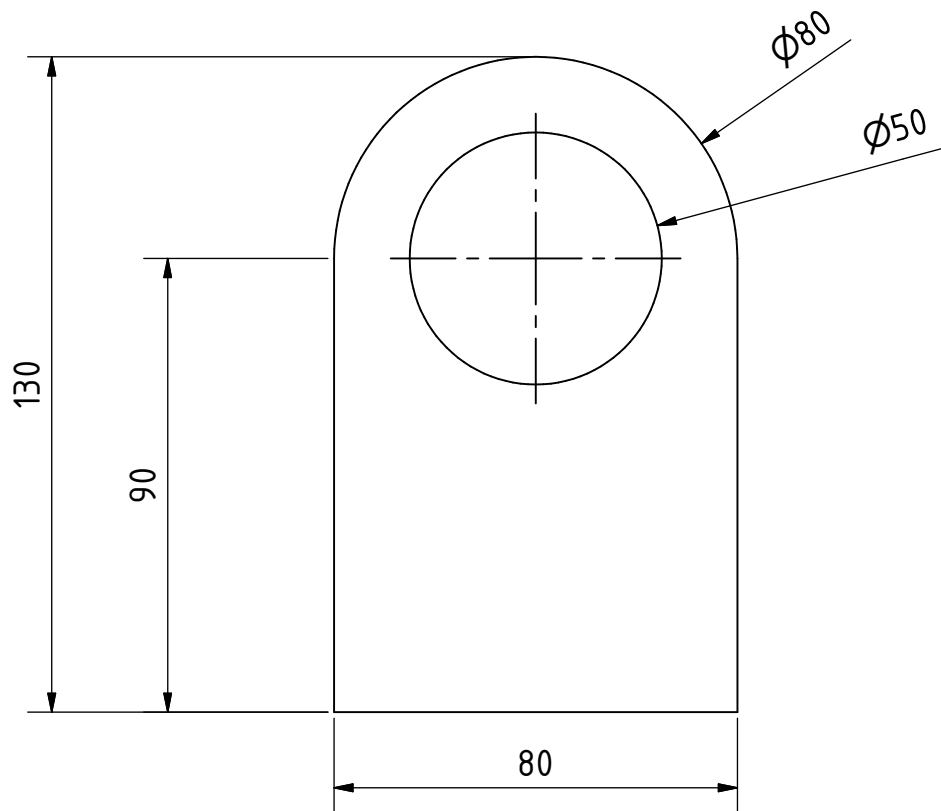
OHO e.V.

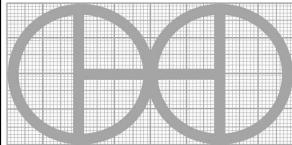
Hanfasser

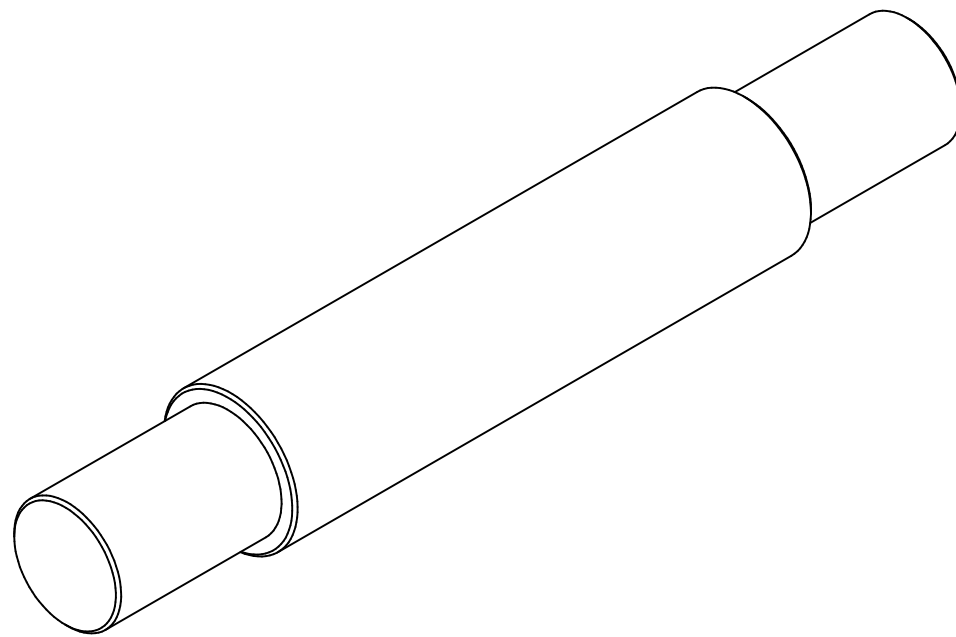
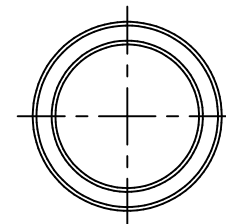
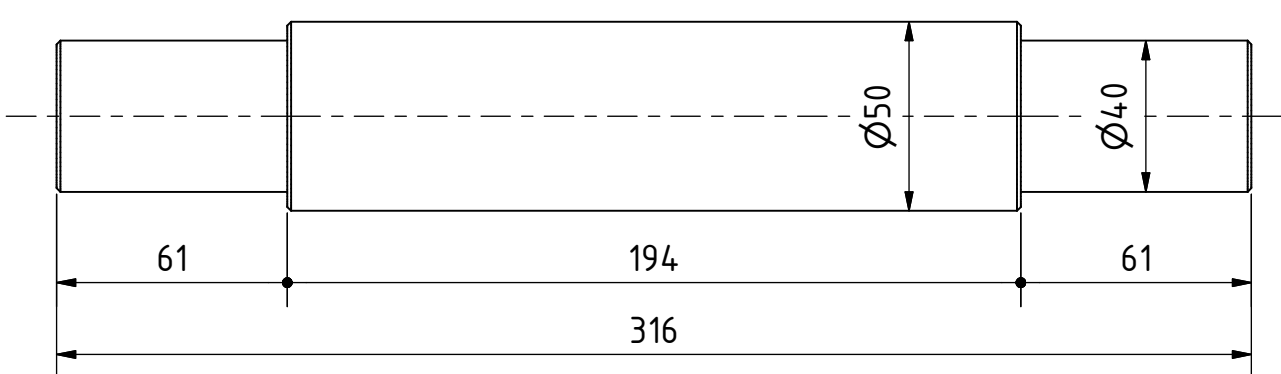


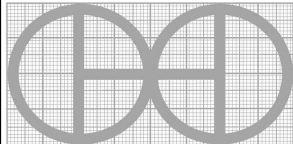
PROJECT	CREATED BY	APPROVED BY	DATE	VERSION	
Vertical Drum Hemp Harvester	A. Morillo	D. Jaeger	12-04-2024	0.05	
PART NAME	SPECIFICACIONES			CODE	
Part 1.5.4	Steel 235J2			1.5.4	
DEVELOPED BY	REDESIGNED BY	FILENAME		QTY	
Hanfasser		1.5.4.ipt		2	
		LICENSE	DOC. TYPE	SCALE	SHEET
		CC-BY-SA 4.0	Part	1 : 1	60 /147

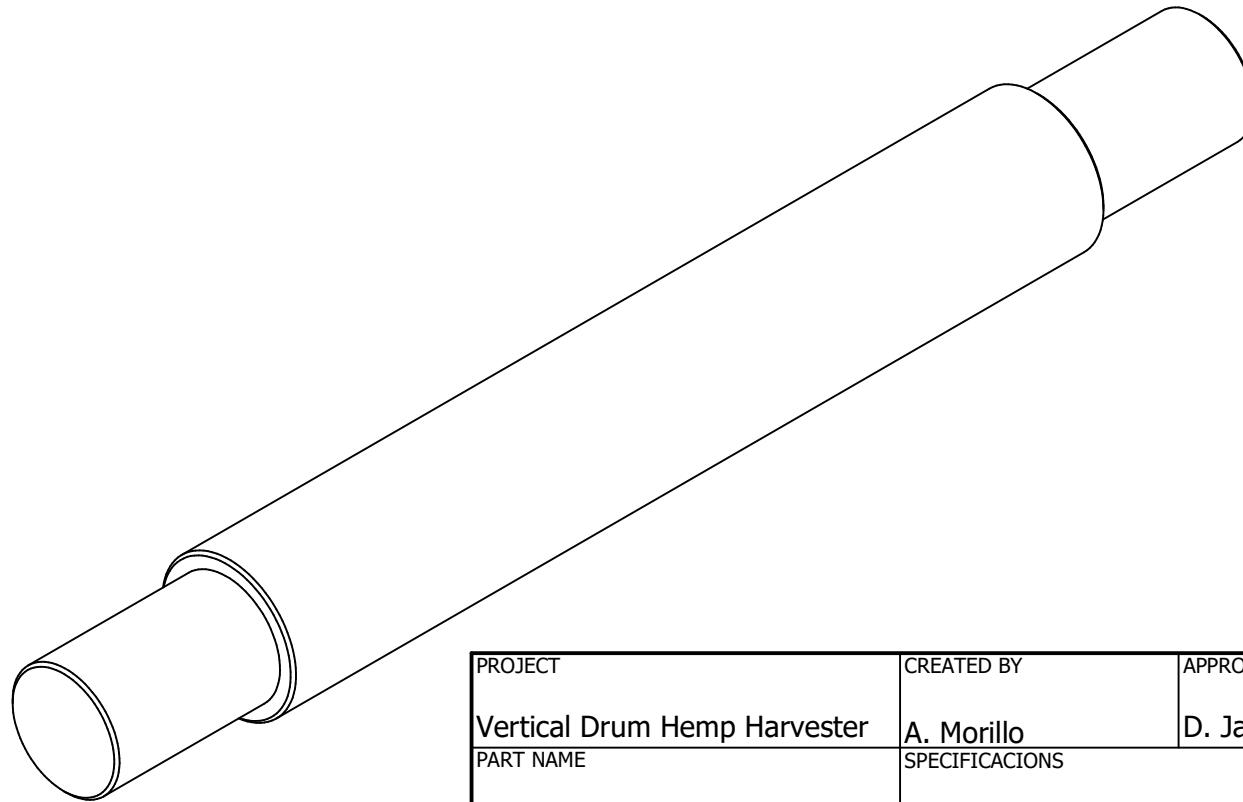
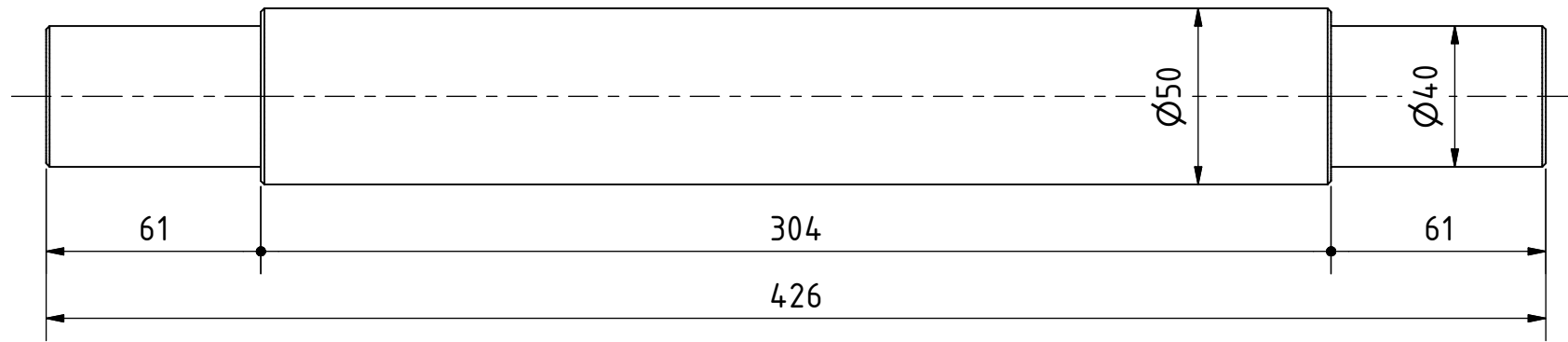
OHO e.V.

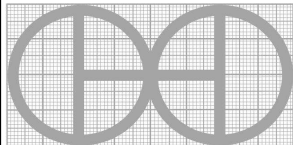


PROJECT	CREATED BY	APPROVED BY	DATE	VERSION	
Vertical Drum Hemp Harvester	A. Morillo	D. Jaeger	12-04-2024	0.05	
PART NAME	SPECIFICACIONES			CODE	
Part 1.5.5	Steel 235J2			1.5.5	
DEVELOPED BY	REDESIGNED BY	FILENAME		QTY	
Hanfasser		1.5.5.ipt		8	
		LICENSE	DOC. TYPE	SCALE	SHEET
		CC-BY-SA 4.0	Part	2 : 3	61 /147

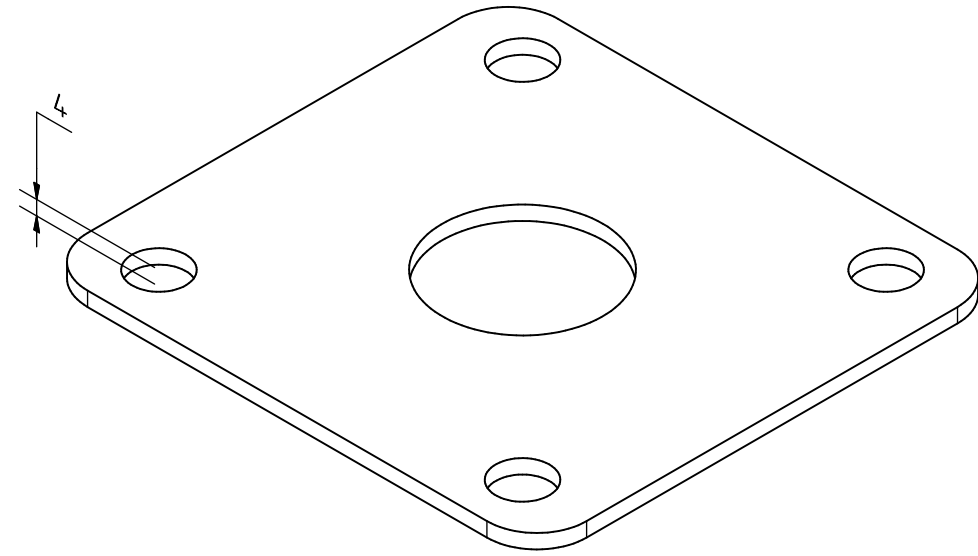
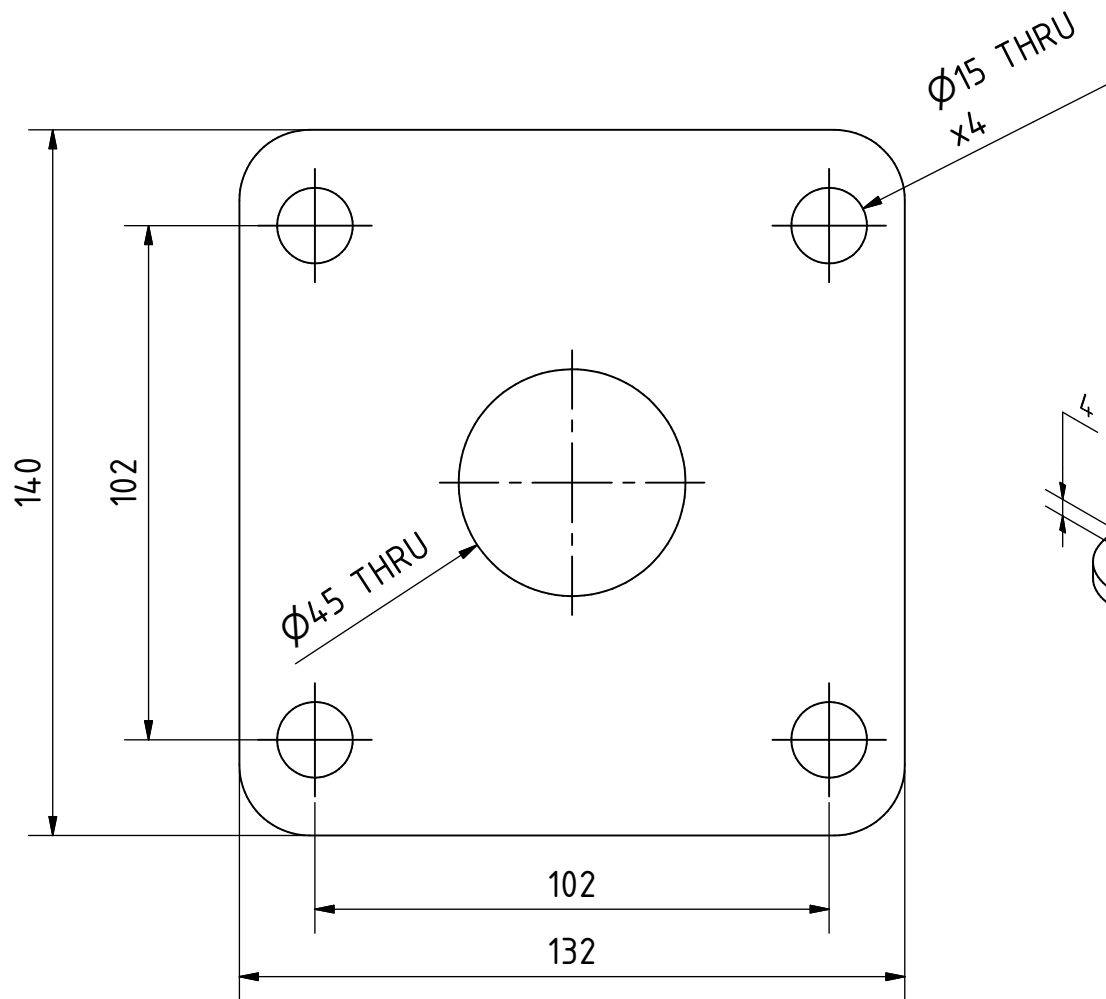


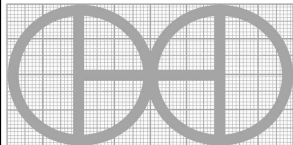
PROJECT		CREATED BY		APPROVED BY		DATE		VERSION	
Vertical Drum Hemp Harvester		A. Morillo		D. Jaeger		12-04-2024		0.05	
PART NAME		SPECIFICACIONES						CODE	
Part 1.5.6		Steel 235J2						1.5.6	
DEVELOPED BY		REDESIGNED BY		FILENAME				QTY	
Hanfasser				1.5.6.ipt				2	
				LICENSE		DOC. TYPE		SCALE	
				CC-BY-SA 4.0		Part		1 : 2	
								62 / 147	

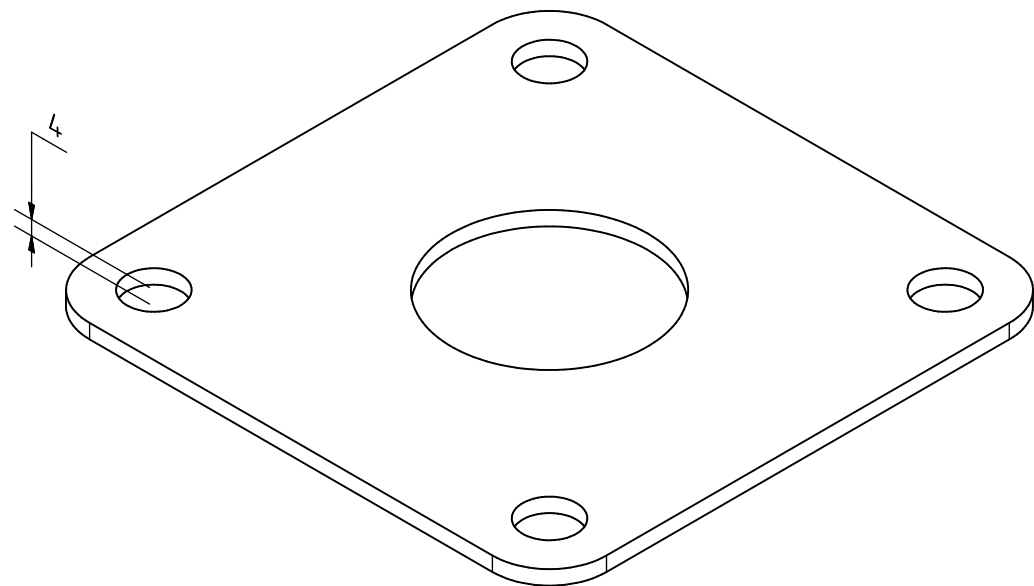
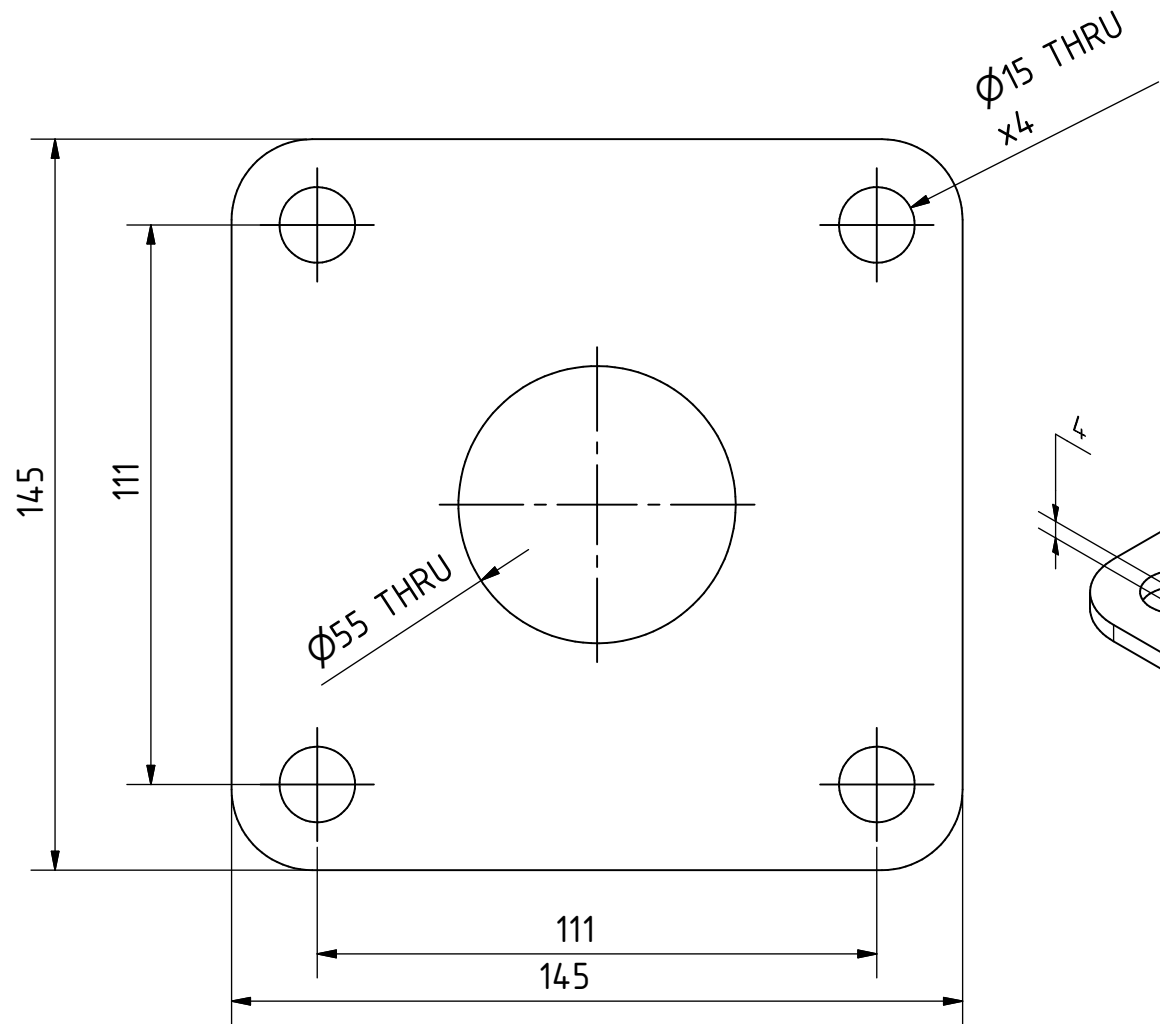


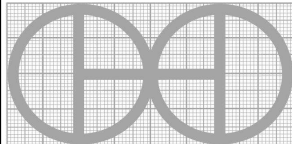
PROJECT	CREATED BY	APPROVED BY	DATE	VERSION	
Vertical Drum Hemp Harvester	A. Morillo	D. Jaeger	12-04-2024	0.05	
PART NAME	SPECIFICACIONES			CODE	
Part 1.5.7	Steel 235J2			1.5.7	
DEVELOPED BY	REDESIGNED BY	FILENAME		QTY	
Hanfasser		1.5.7.ipt		2	
		LICENSE	DOC. TYPE	SCALE	SHEET
		CC-BY-SA 4.0	Part	1 : 2	63 /147

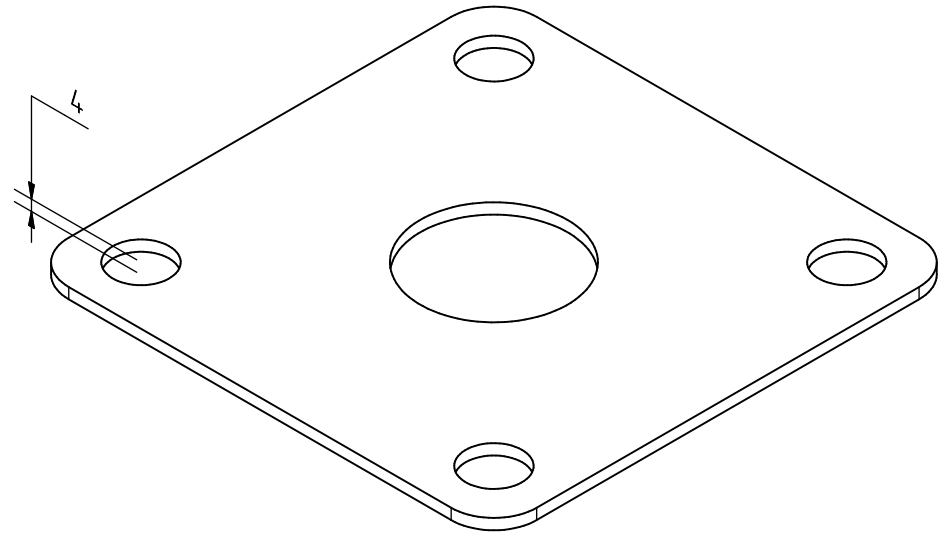
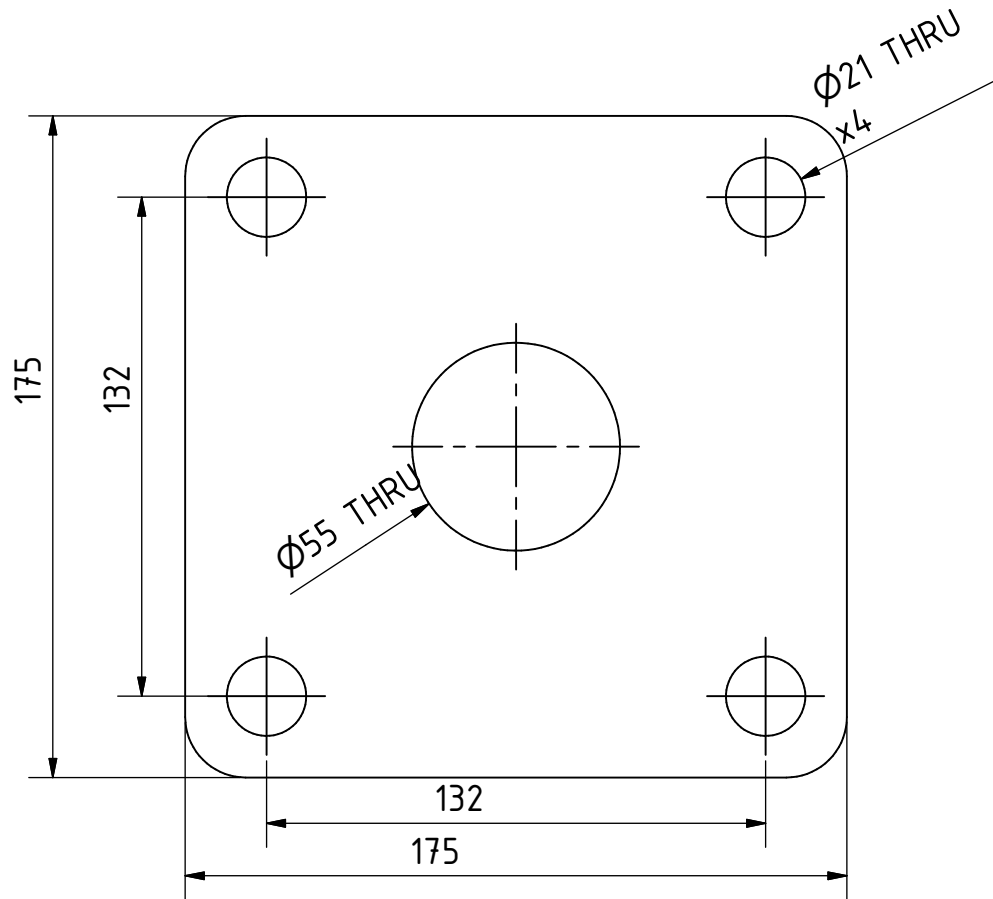
OHO e.V.

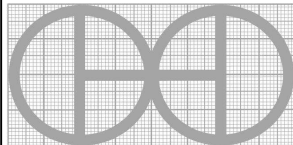


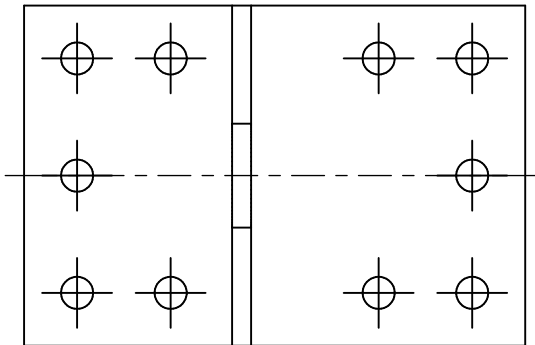
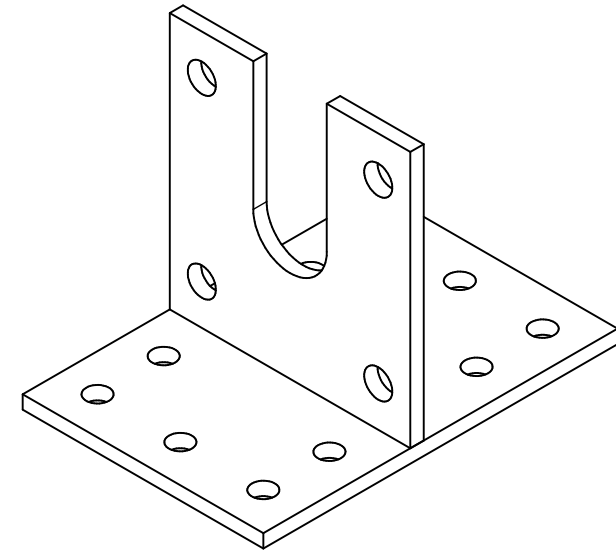
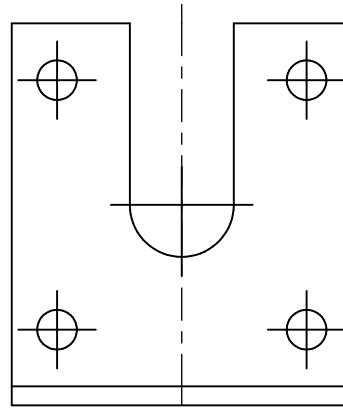
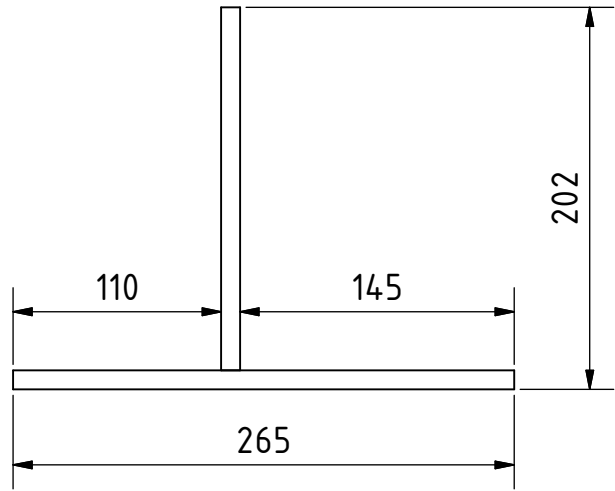
PROJECT	CREATED BY	APPROVED BY	DATE	VERSION	
Vertical Drum Hemp Harvester	A. Morillo	D. Jaeger	12-04-2024	0.05	
PART NAME	SPECIFICACIONES			CODE	
Reinforcement plate 2	Steel 235J2, For Bearing UCF 208			1.7.0	
DEVELOPED BY	REDESIGNED BY	FILENAME		QTY	
Hanfasser		1.7.ipt		8	
		LICENSE	DOC. TYPE	SCALE	SHEET
		CC-BY-SA 4.0	Part	2 : 3	64 /147

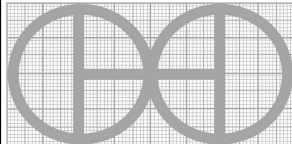


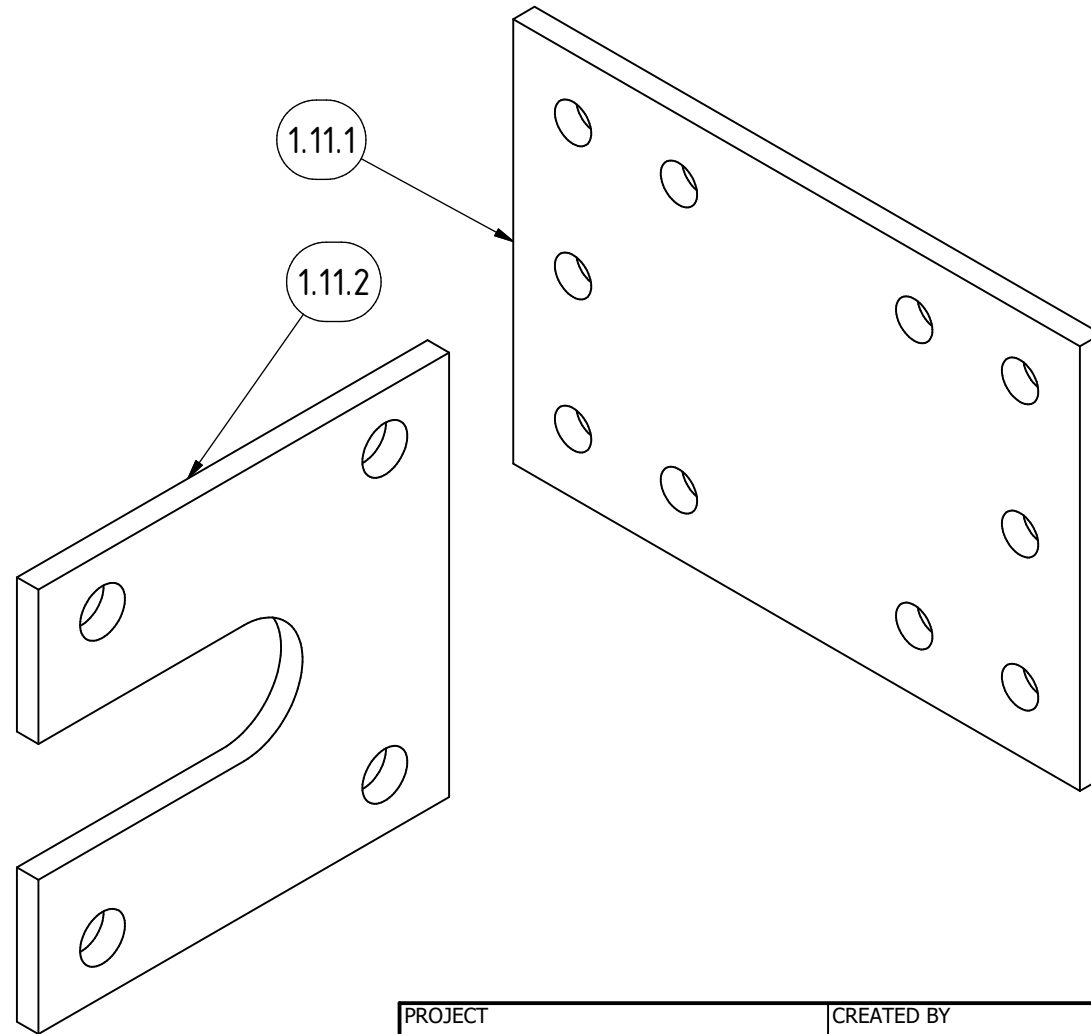
PROJECT	CREATED BY	APPROVED BY	DATE	VERSION
Vertical Drum Hemp Harvester	A. Morillo	D. Jaeger	12-04-2024	0.05
PART NAME	SPECIFICACIONES			CODE
Reinforcement plate	Steel 235J2, for bearing UCF 210			1.8.0
DEVELOPED BY	REDESIGNED BY	FILENAME	QTY	
		1.8.ipt	4	
Hanfasser		LICENSE	DOC. TYPE	SCALE SHEET
		CC-BY-SA 4.0	Part	2 : 3 65 /147

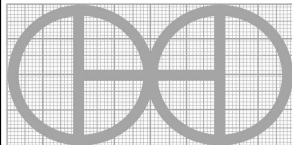


PROJECT	CREATED BY	APPROVED BY	DATE	VERSION	
Vertical Drum Hemp Harvester	A. Morillo	D. Jaeger	12-04-2024	0.05	
PART NAME	SPECIFICACIONES			CODE	
Reinforcement plate	Steel 235J2, for bearing UCF 310			1.9.0	
DEVELOPED BY	REDESIGNED BY	FILENAME	QTY		
Hanfasser		1.9.ipt	4		
		LICENSE	DOC. TYPE	SCALE	SHEET
		CC-BY-SA 4.0	Part	1 : 2	66 /147

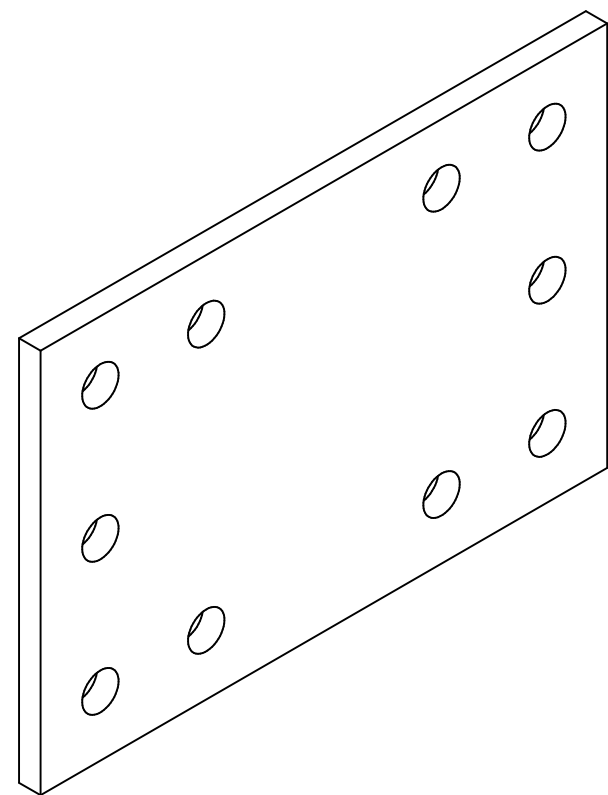
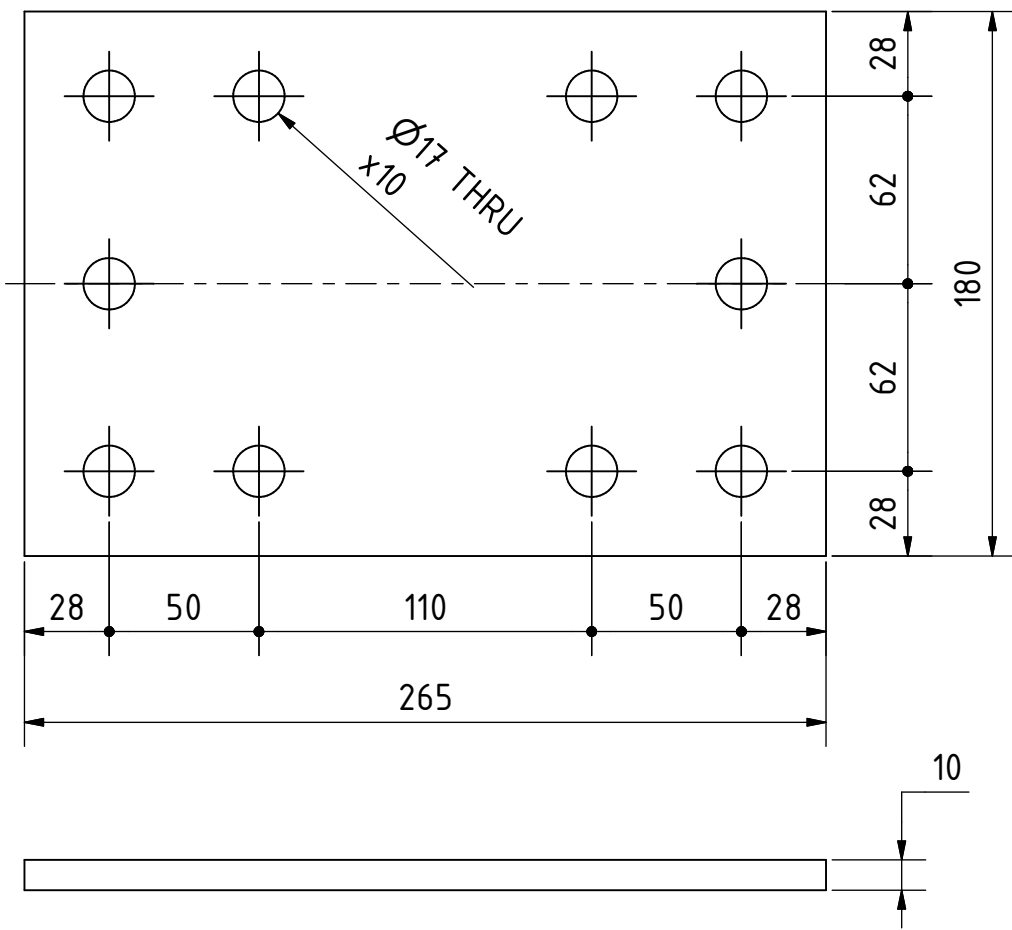


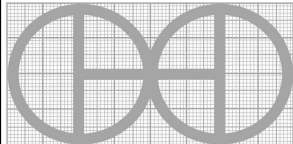
PROJECT	CREATED BY	APPROVED BY	DATE	VERSION
Vertical Drum Hemp Harvester	A. Morillo	D. Jaeger	12-04-2024	0.05
PART NAME	SPECIFICACIONES			CODE
Bracket for flange mounting				1.11.0
DEVELOPED BY	REDESIGNED BY	FILENAME	QTY	
		1.11.iam	2	
Hanfasser		LICENSE	DOC. TYPE	SHEET
		CC-BY-SA 4.0	Assembly	1 : 4 67 /147

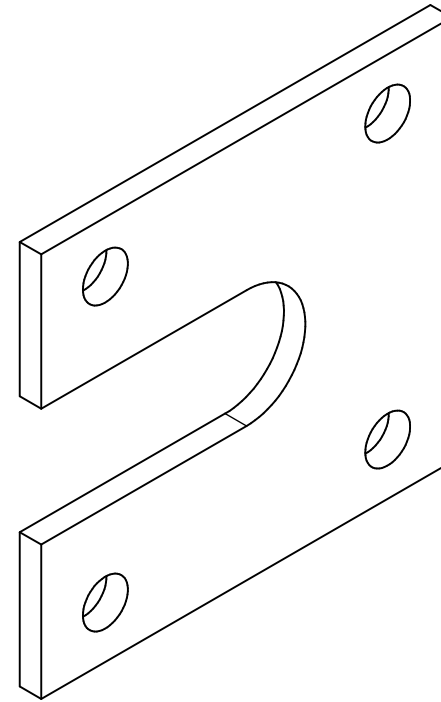
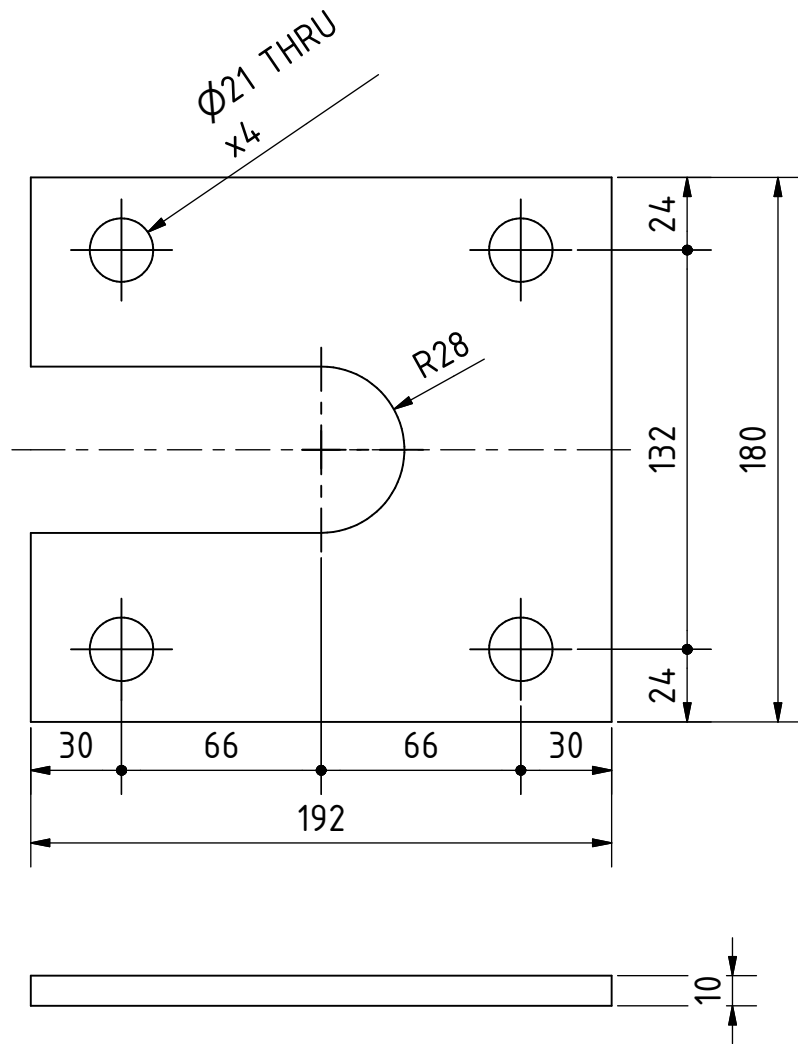


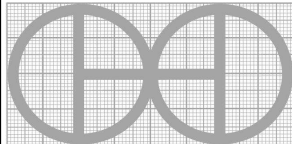
PROJECT	CREATED BY	APPROVED BY	DATE	VERSION	
Vertical Drum Hemp Harvester	A. Morillo	D. Jaeger	12-04-2024	0.05	
PART NAME	SPECIFICACIONES			CODE	
Bracket for flange mounting				1.11.0	
DEVELOPED BY	REDESIGNED BY	FILENAME	QTY		
		1.11.ipn	2		
Hanfasser		LICENSE	DOC. TYPE	SCALE	SHEET
		CC-BY-SA 4.0	Assembly	2 : 5	68 /147

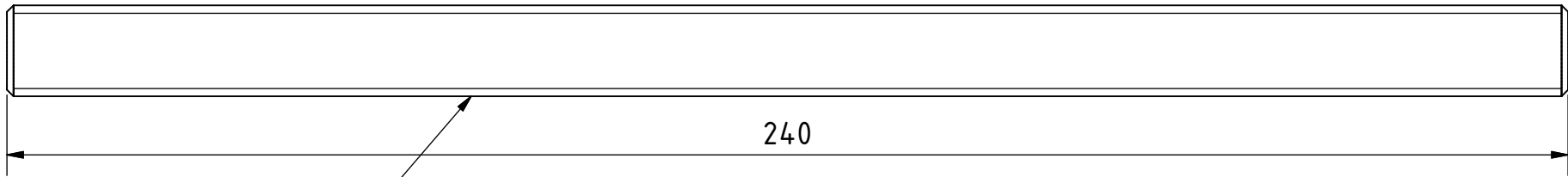
OHO e.V.



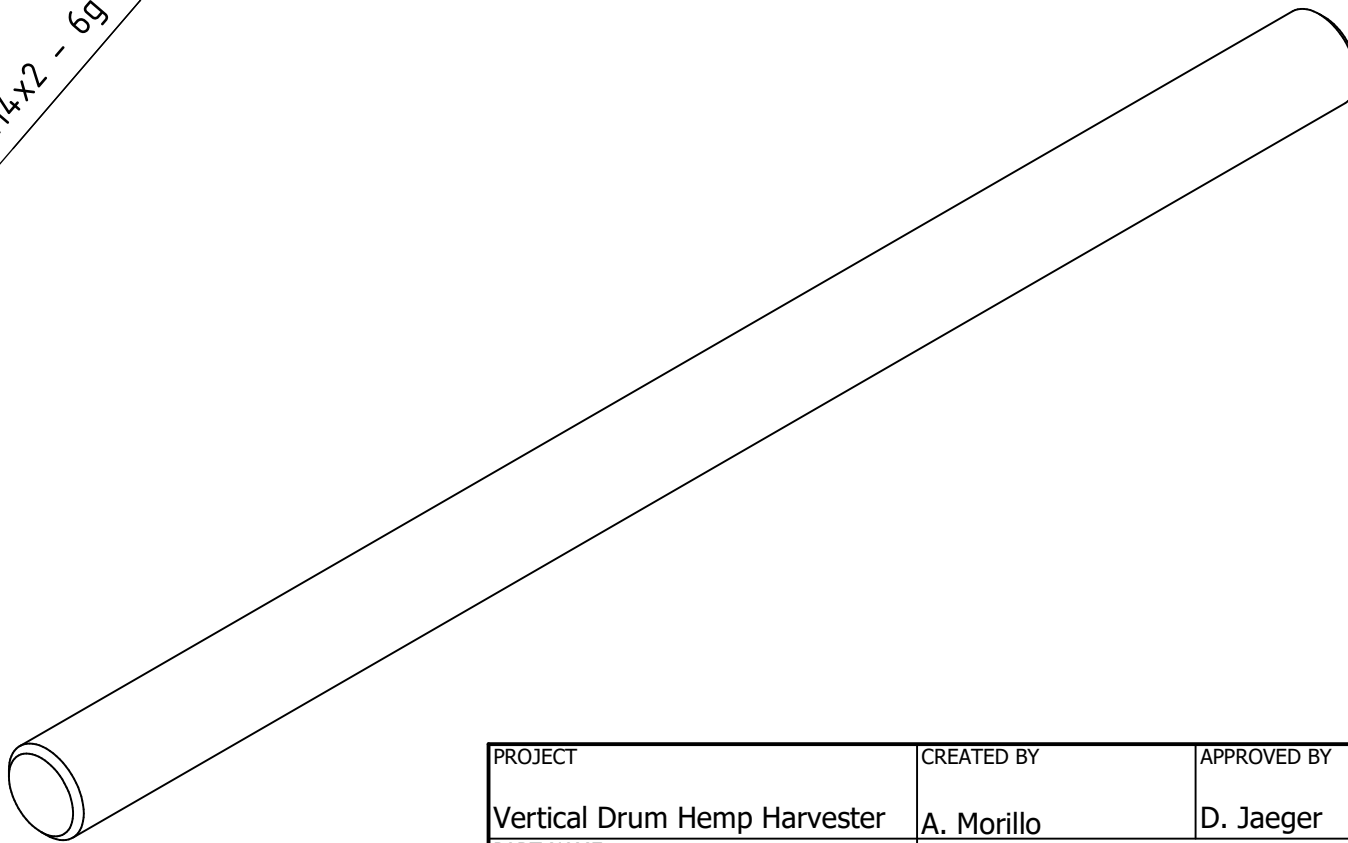
PROJECT	CREATED BY	APPROVED BY	DATE	VERSION
Vertical Drum Hemp Harvester	A. Morillo	D. Jaeger	12-04-2024	0.05
PART NAME	SPECIFICACIONES			CODE
Part 1.11.1	Steel 235J2			1.11.1
DEVELOPED BY	REDESIGNED BY	FILENAME		QTY
		1.11.1.ipt		2
Hanfasser		LICENSE	DOC. TYPE	SCALE
		CC-BY-SA 4.0	Part	2 : 5
				SHEET
				69 / 147

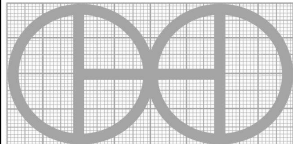


PROJECT	CREATED BY	APPROVED BY	DATE	VERSION
Vertical Drum Hemp Harvester	A. Morillo	D. Jaeger	12-04-2024	0.05
PART NAME	SPECIFICACIONES			CODE
Part 1.11.2	Steel 235J2			1.11.2
DEVELOPED BY	REDESIGNED BY	FILENAME		QTY
		1.11.2.ipt		2
Hanfasser	LICENSE		DOC. TYPE	SHEET
	CC-BY-SA 4.0		Part	70 /147
			SCALE	
			2 : 5	

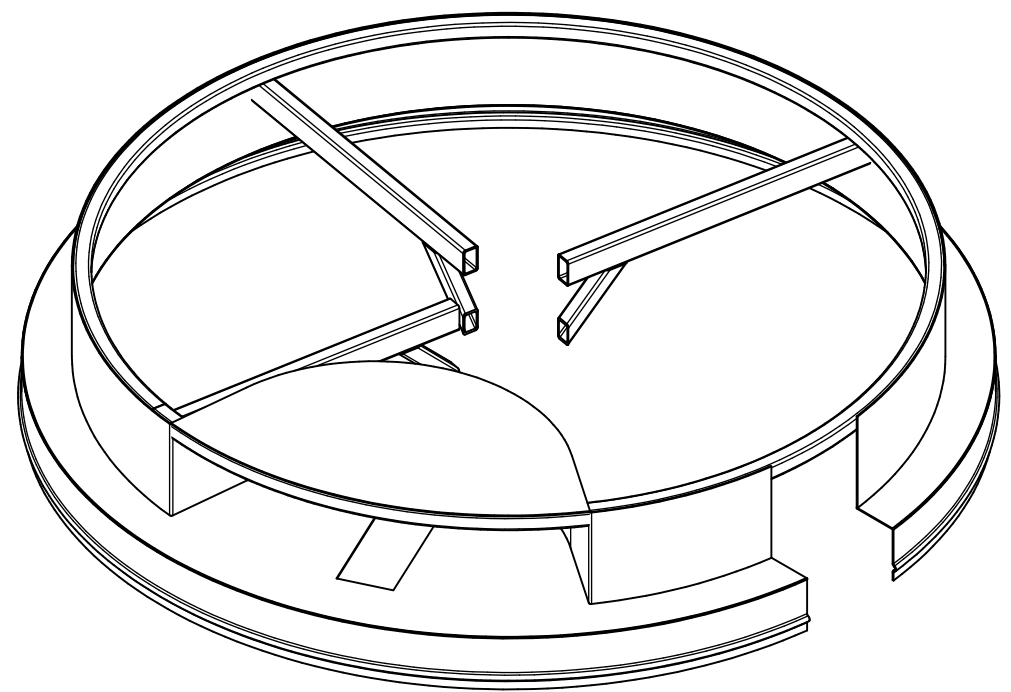
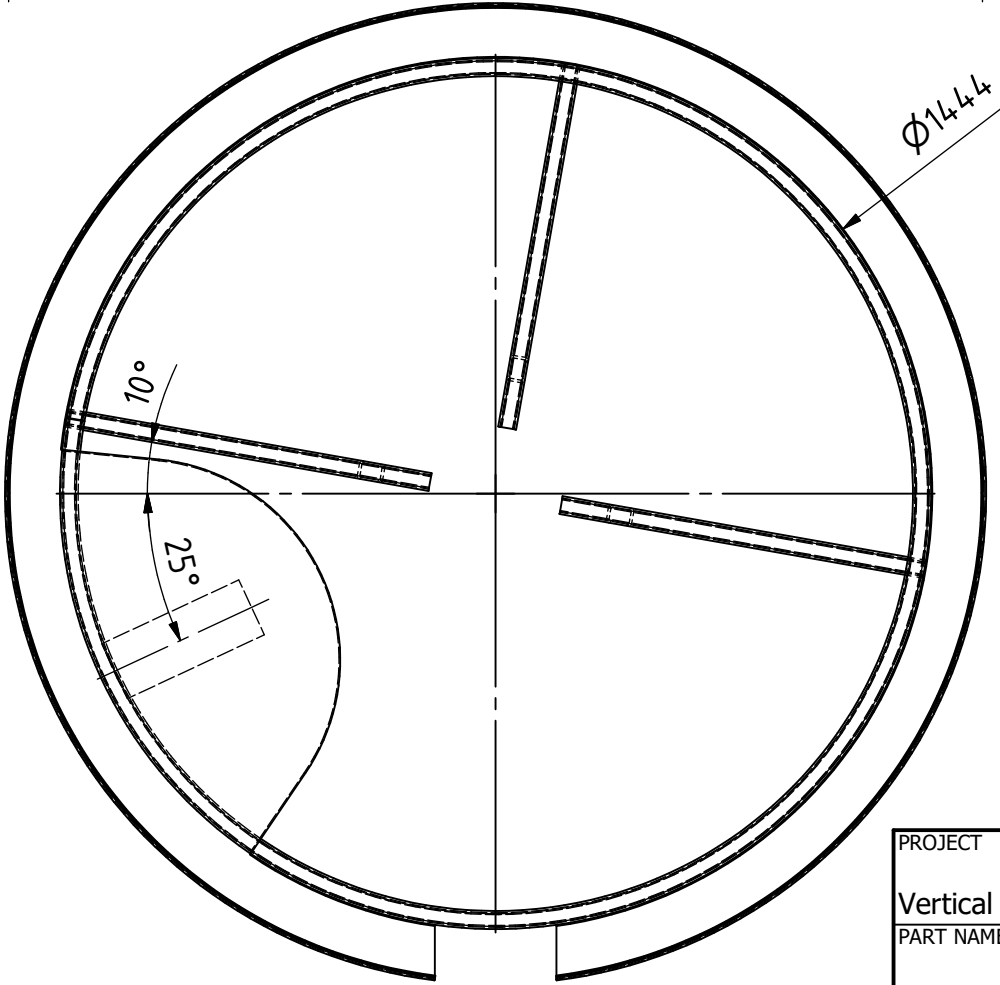
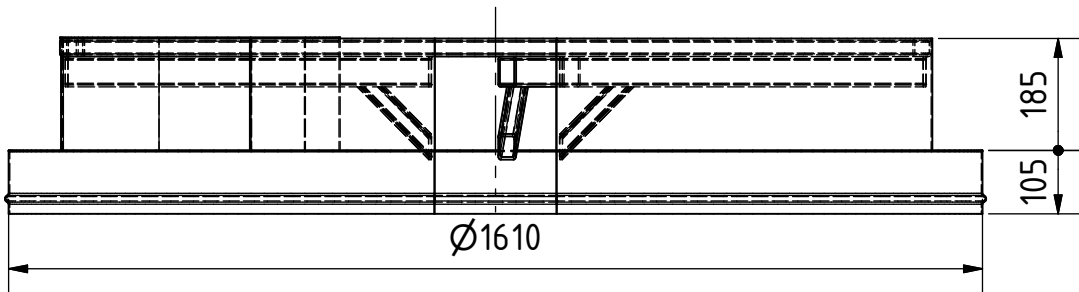


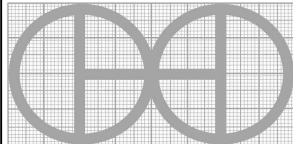
M14x2 - 6g

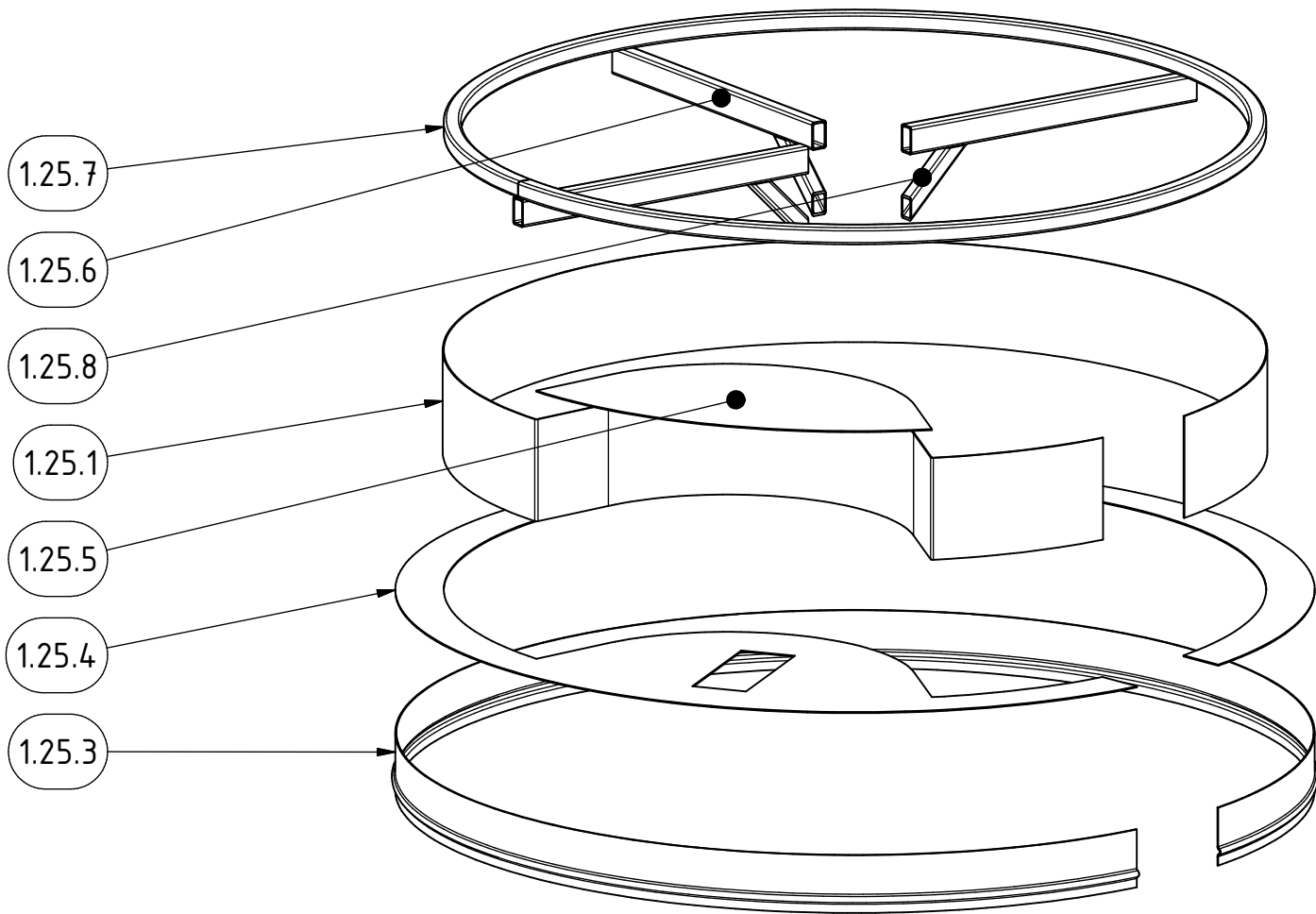


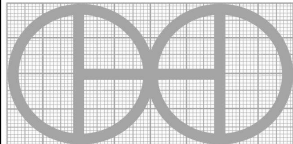
PROJECT	CREATED BY	APPROVED BY	DATE	VERSION	
Vertical Drum Hemp Harvester	A. Morillo	D. Jaeger	12-04-2024	0.05	
PART NAME	SPECIFICACIONES			CODE	
Thread M14	M14*240			1.24.0	
DEVELOPED BY	REDESIGNED BY	FILENAME		QTY	
Hanfasser		1.24.ipt		6	
		LICENSE	DOC. TYPE	SCALE	SHEET
		CC-BY-SA 4.0	Part	1 : 1	71 /147

OHO e.V.

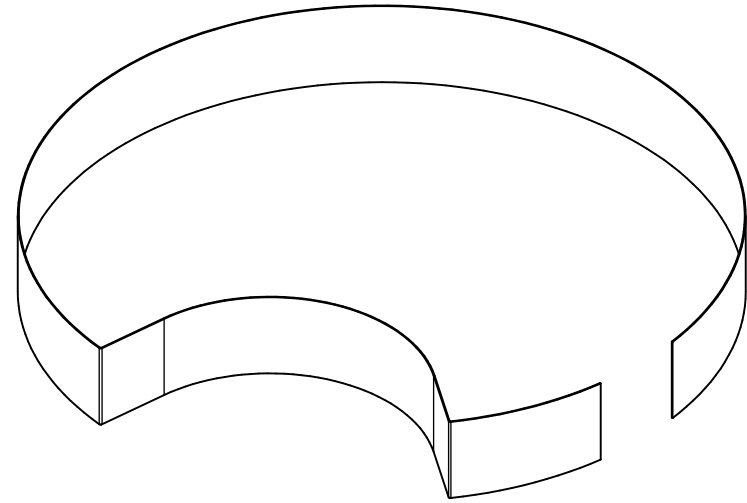
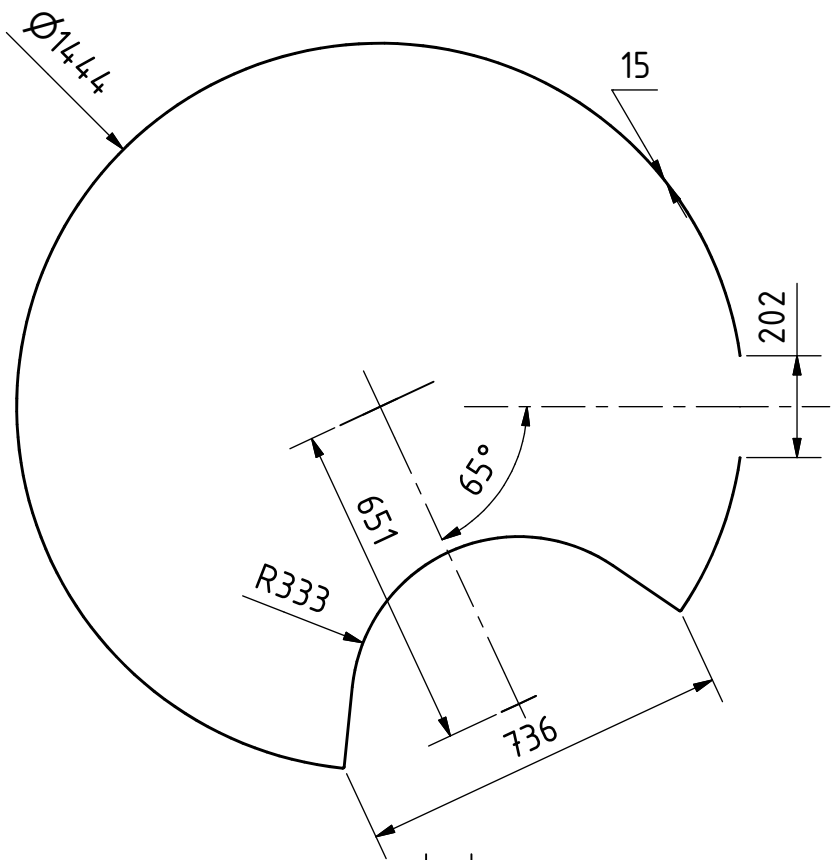


PROJECT	CREATED BY	APPROVED BY	DATE	VERSION
Vertical Drum Hemp Harvester	A. Morillo	D. Jaeger	12-04-2024	0.05
PART NAME	SPECIFICACIONES			CODE
Feeding drums 1				1.25.0
DEVELOPED BY	REDESIGNED BY	FILENAME		QTY
		1.25.iam		2
Hanfasser		LICENSE	DOC. TYPE	SCALE
		CC-BY-SA 4.0	Assembly	2 : 25
				SHEET
				72 / 147

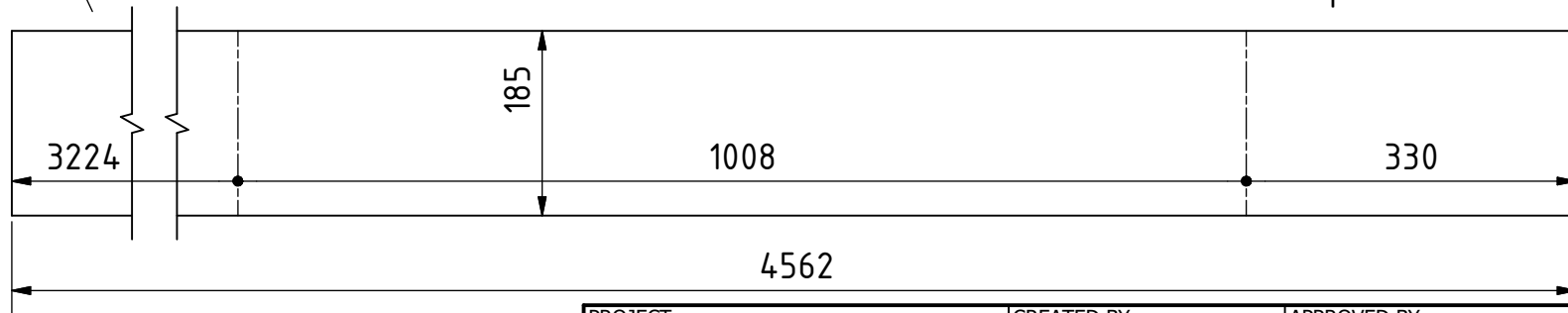


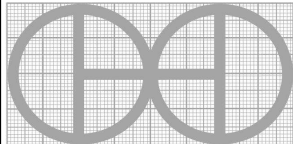
PROJECT	CREATED BY	APPROVED BY	DATE	VERSION
Vertical Drum Hemp Harvester	A. Morillo	D. Jaeger	12-04-2024	0.05
PART NAME	SPECIFICACIONES			CODE
Feeding drums 1				1.25.0
DEVELOPED BY	REDESIGNED BY	FILENAME		QTY
		1.25.ipn		2
Hanfasser		LICENSE	DOC. TYPE	SCALE
		CC-BY-SA 4.0	Assembly	2 : 25
				SHEET
				73 /147

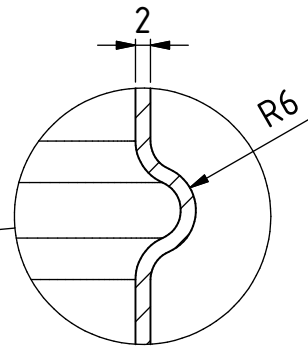
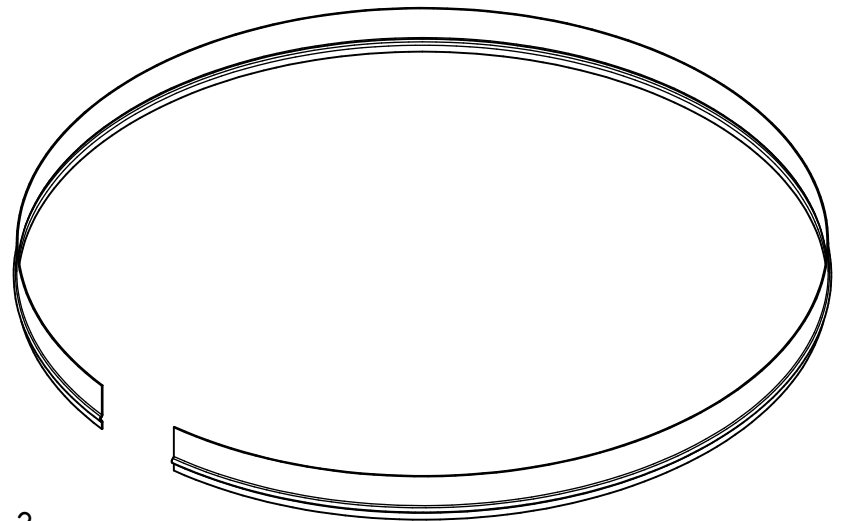
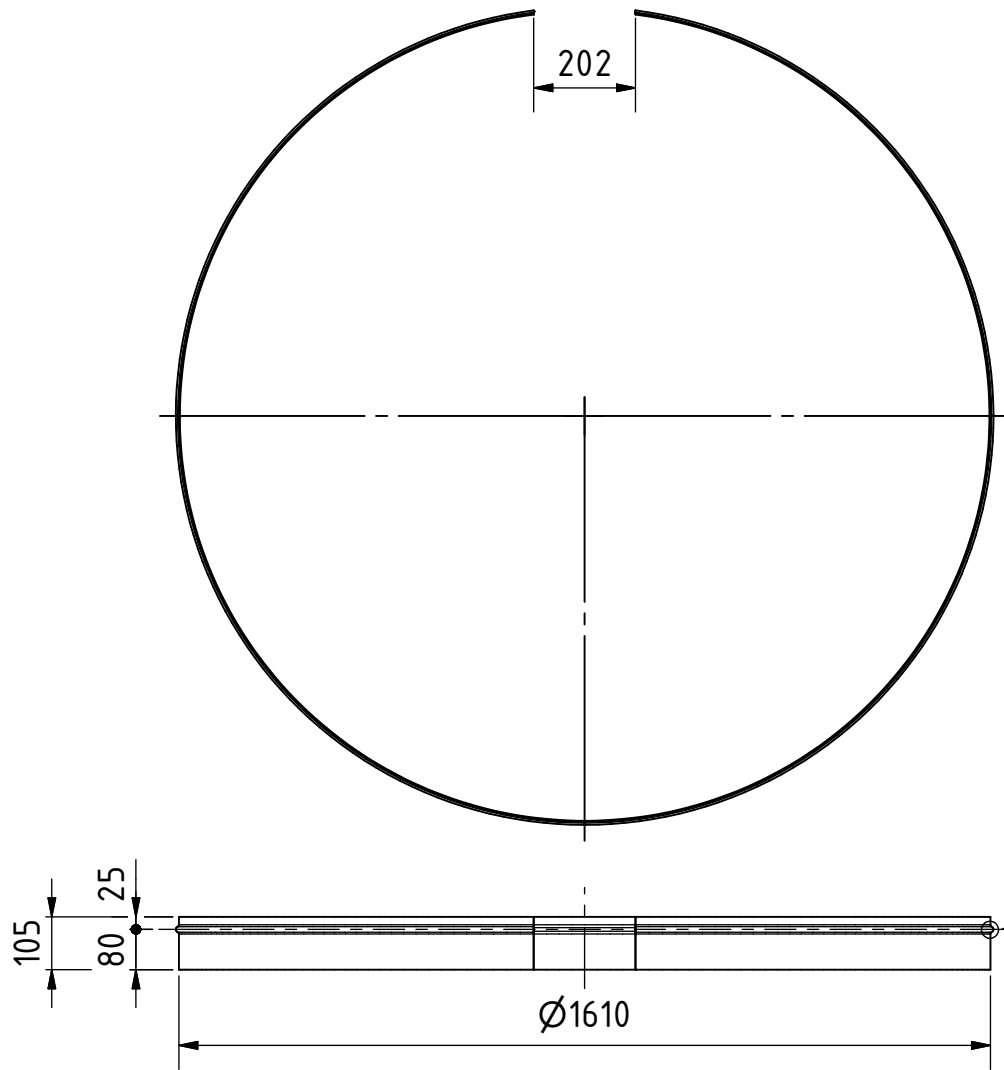
OHO e.V.

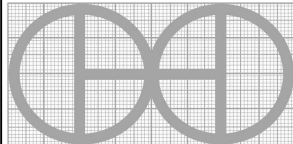


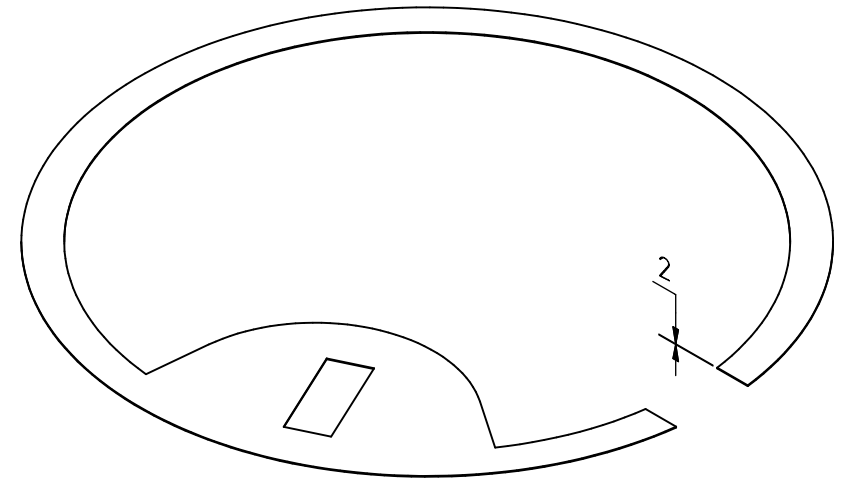
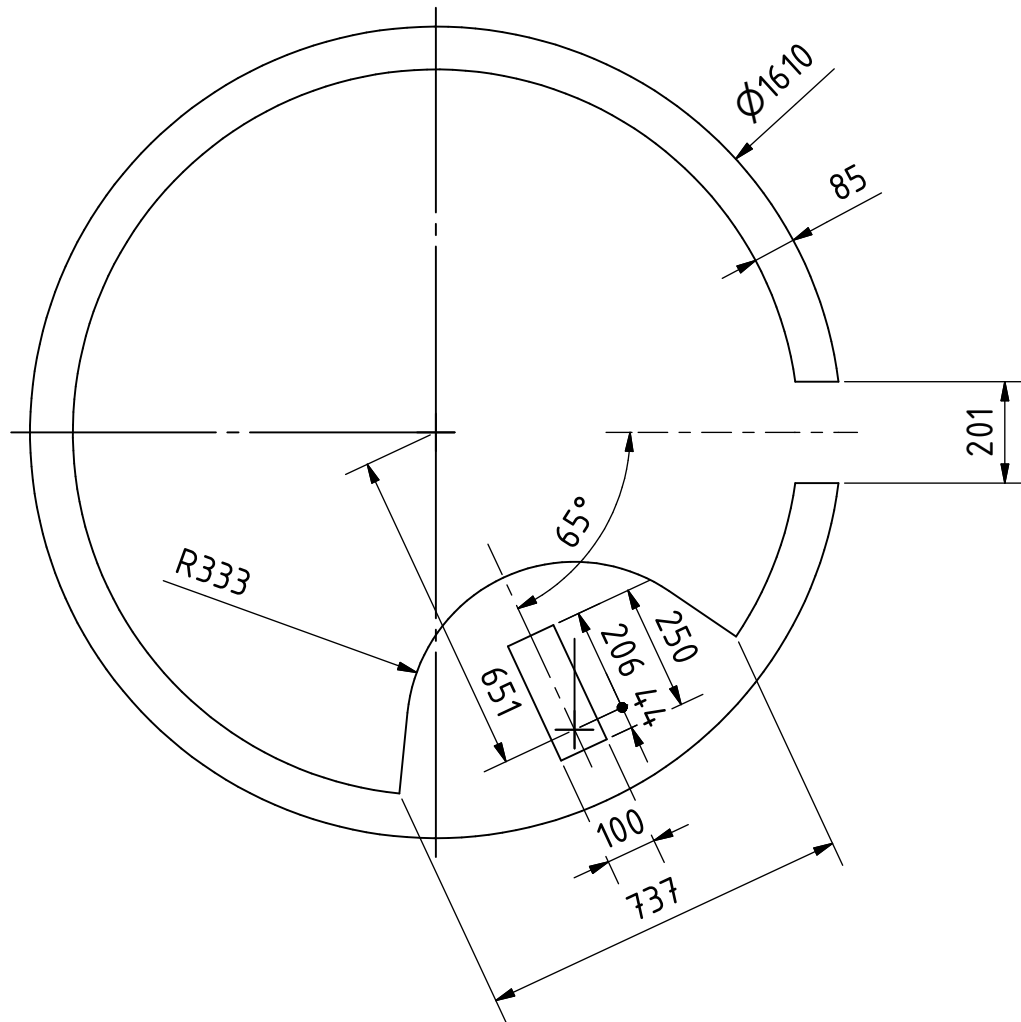
Flat pattern

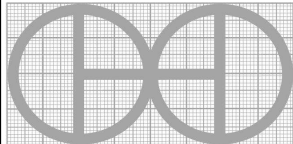


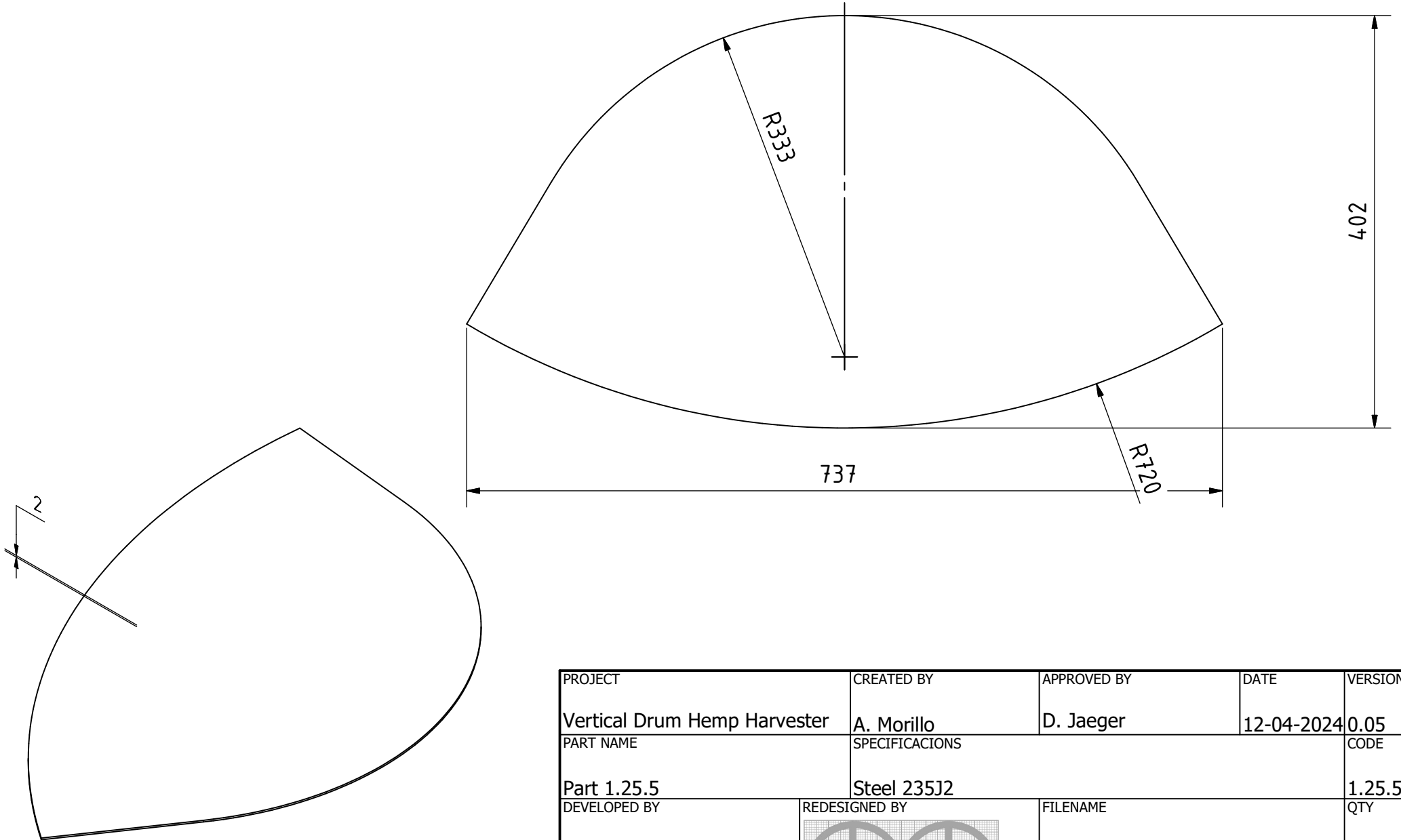
PROJECT	CREATED BY	APPROVED BY	DATE	VERSION	
Vertical Drum Hemp Harvester	A. Morillo	D. Jaeger	12-04-2024	0.05	
PART NAME	SPECIFICACIONES			CODE	
Part 1.25.1	Steel 235J2			1.25.1	
DEVELOPED BY	REDESIGNED BY	FILENAME		QTY	
Hanfasser		1.25.1.ipt		2	
		LICENSE	DOC. TYPE	SCALE	SHEET
		CC-BY-SA 4.0	Part	1 : 15	74 /147

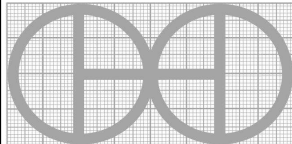


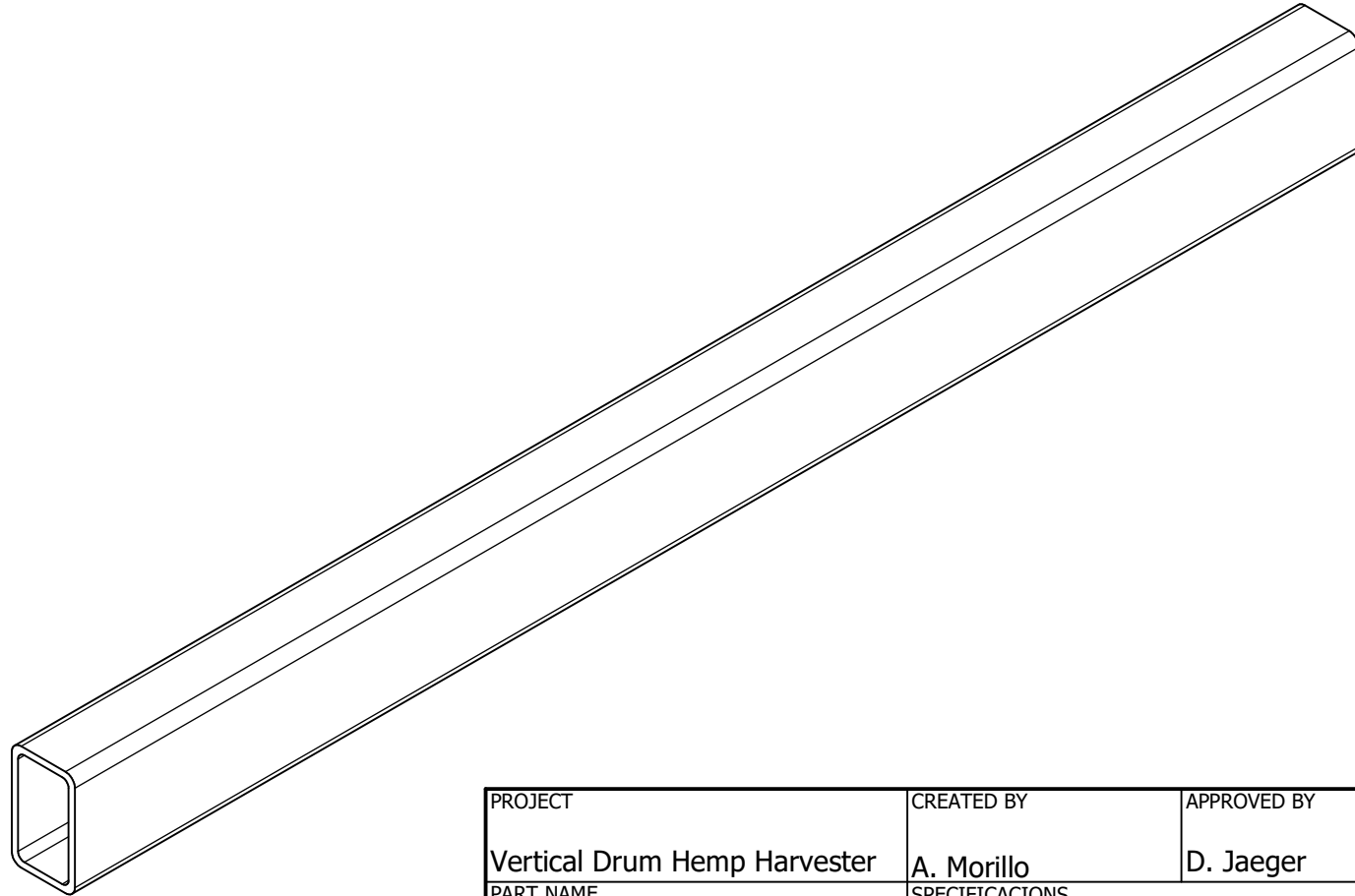
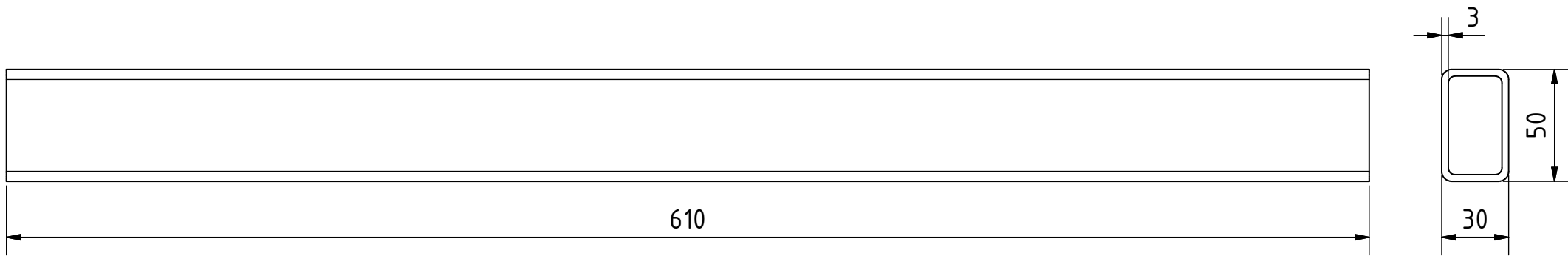
PROJECT	CREATED BY	APPROVED BY	DATE	VERSION	
Vertical Drum Hemp Harvester	A. Morillo	D. Jaeger	12-04-2024	0.05	
PART NAME	SPECIFICACIONES			CODE	
Part 1.25.3	Steel 235J2			1.25.3	
DEVELOPED BY	REDESIGNED BY	FILENAME		QTY	
Hanfasser		1.25.3.ipt		2	
		LICENSE	DOC. TYPE	SCALE	SHEET
		CC-BY-SA 4.0	Part	1 : 15	75 /147

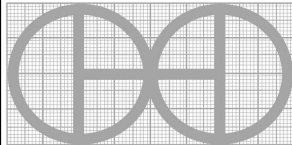


PROJECT	CREATED BY	APPROVED BY	DATE	VERSION	
Vertical Drum Hemp Harvester	A. Morillo	D. Jaeger	12-04-2024	0.05	
PART NAME	SPECIFICACIONES			CODE	
Part 1.25.4	Steel 235J2			1.25.4	
DEVELOPED BY	REDESIGNED BY	FILENAME		QTY	
Hanfasser		1.25.4.ipt		2	
		LICENSE	DOC. TYPE	SCALE	SHEET
		CC-BY-SA 4.0	Part	1 : 15	76 /147

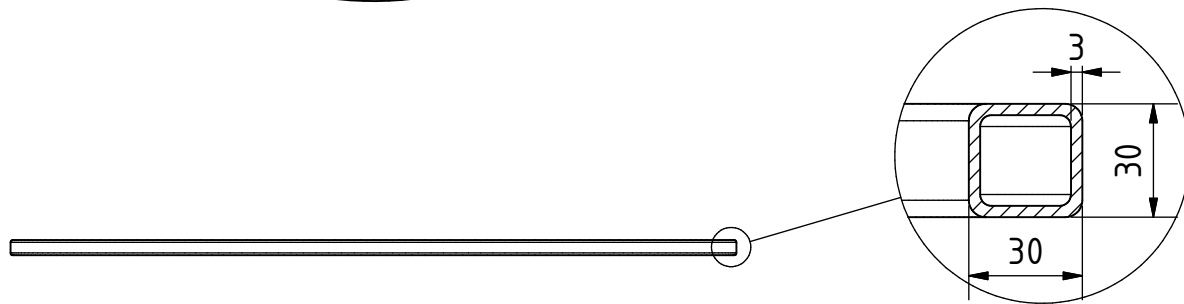
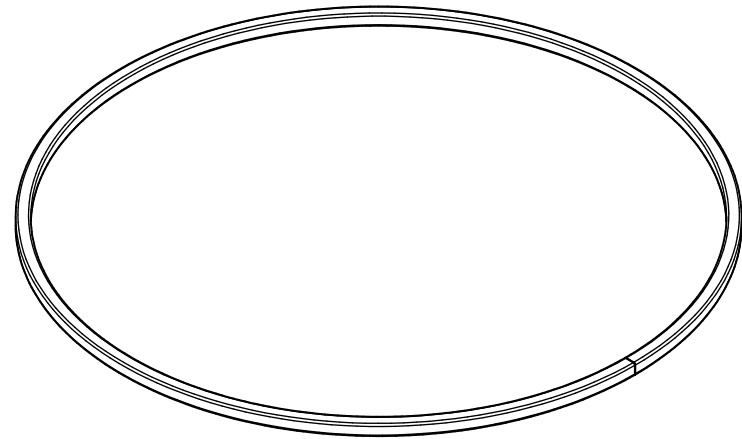
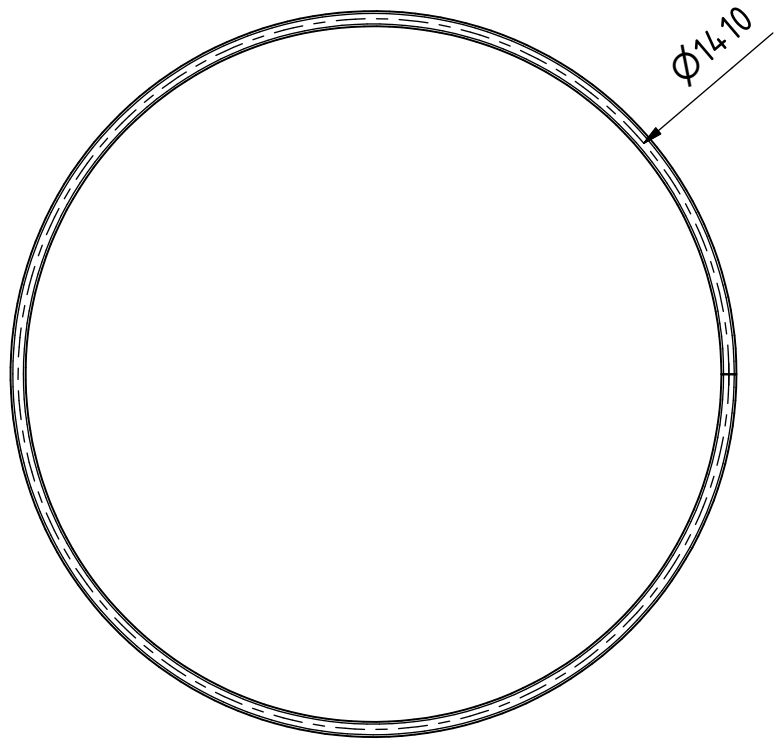


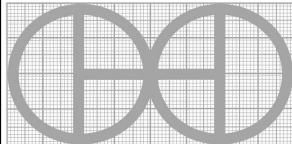
PROJECT	CREATED BY	APPROVED BY	DATE	VERSION	
Vertical Drum Hemp Harvester	A. Morillo	D. Jaeger	12-04-2024	0.05	
PART NAME	SPECIFICACIONES			CODE	
Part 1.25.5	Steel 235J2			1.25.5	
DEVELOPED BY	REDESIGNED BY	FILENAME		QTY	
Hanfasser		1.25.5.ipt		2	
		LICENSE	DOC. TYPE	SCALE	SHEET
		CC-BY-SA 4.0	Part	1 : 5	77 /147

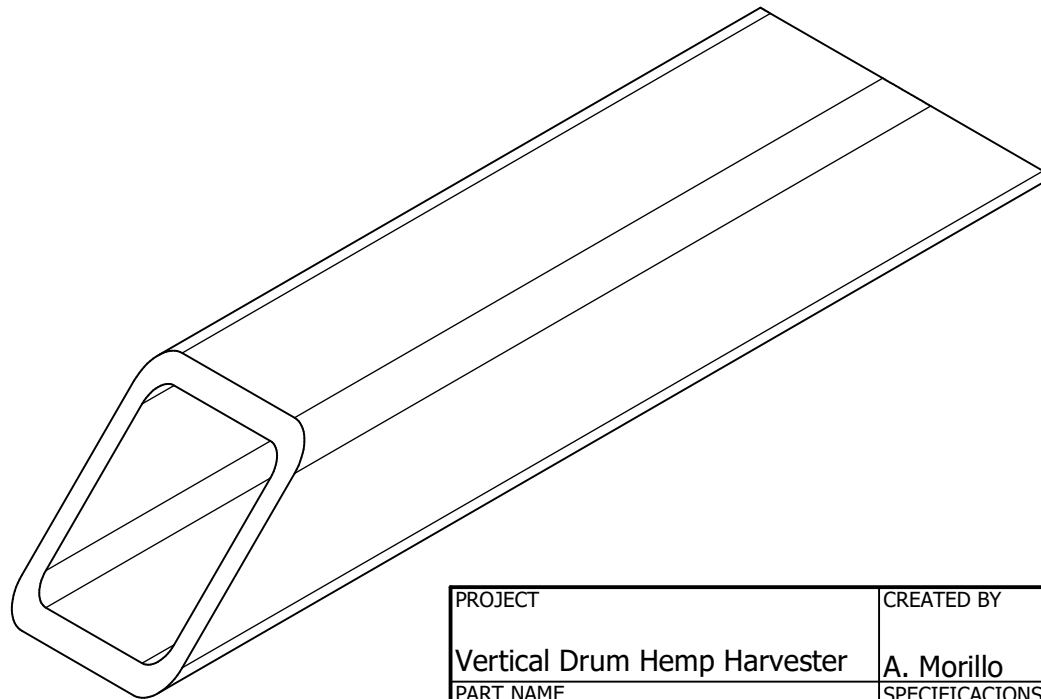
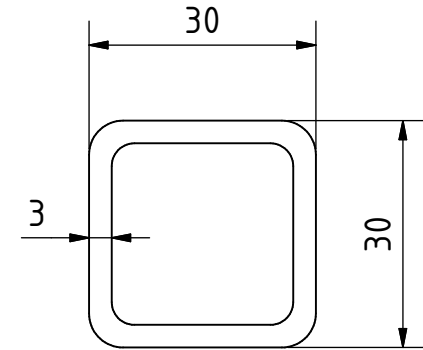
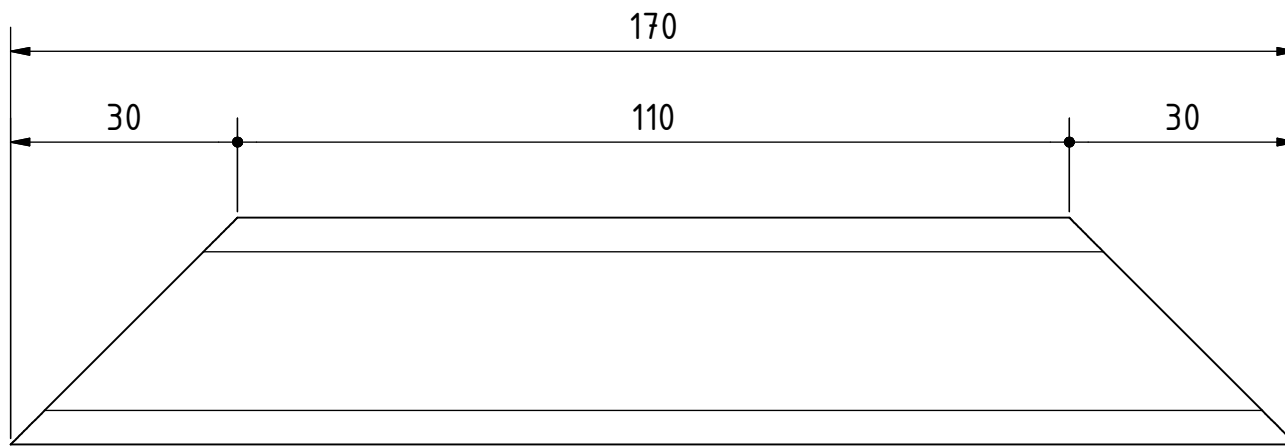


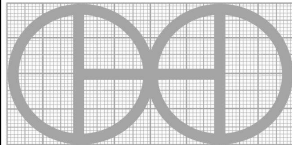
PROJECT	CREATED BY	APPROVED BY	DATE	VERSION	
Vertical Drum Hemp Harvester	A. Morillo	D. Jaeger	12-04-2024	0.05	
PART NAME	SPECIFICACIONES			CODE	
Part 1.25.6	Steel 235J2, rectangle profile 50*30*3			1.25.6	
DEVELOPED BY	REDESIGNED BY	FILENAME		QTY	
Hanfasser		1.25.6.ipt		6	
		LICENSE	DOC. TYPE	SCALE	SHEET
		CC-BY-SA 4.0	Part	2 : 5	78 /147

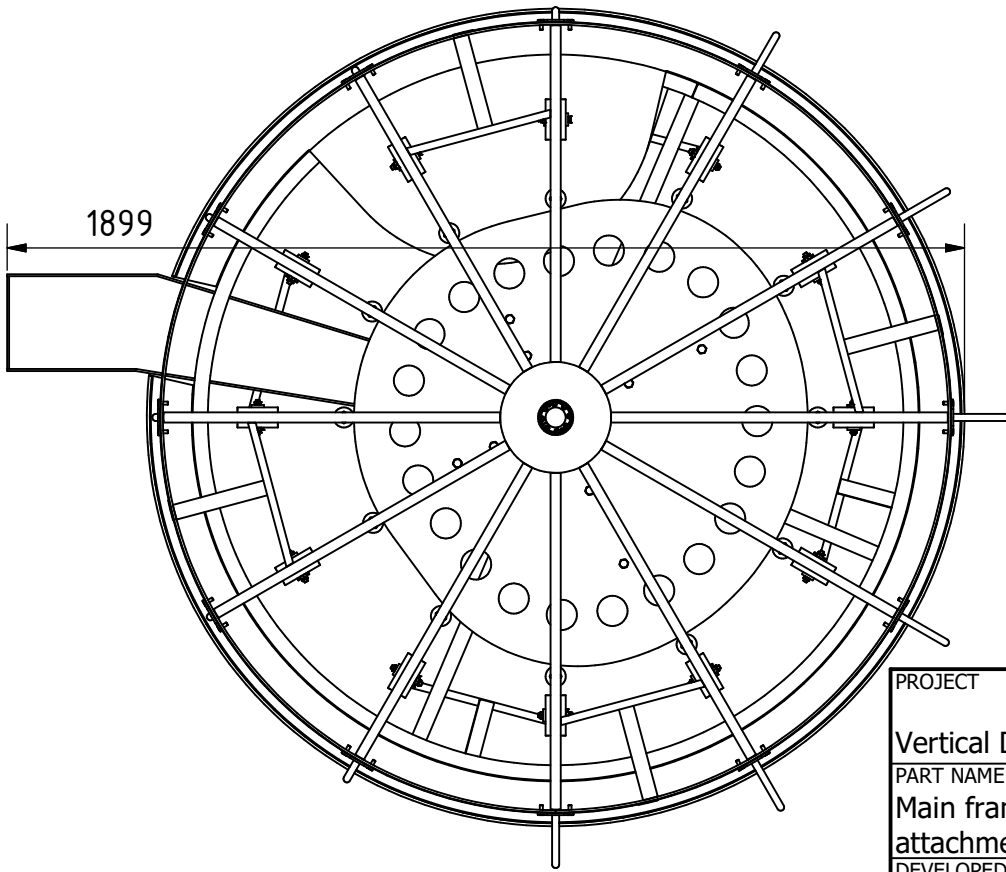
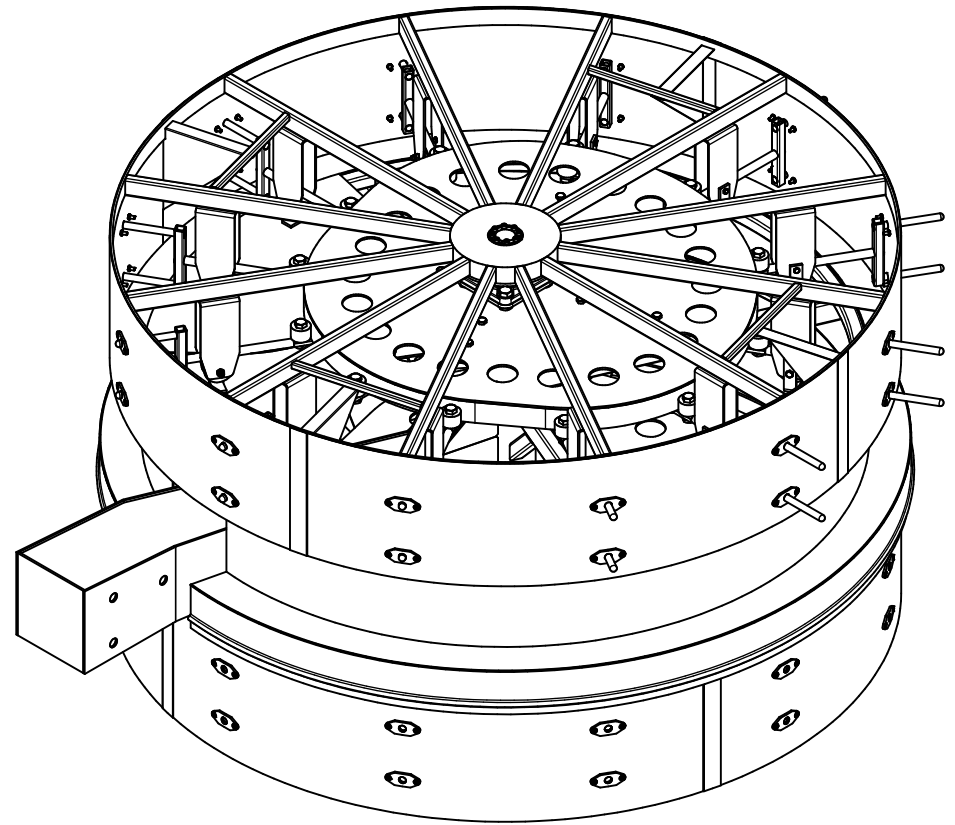
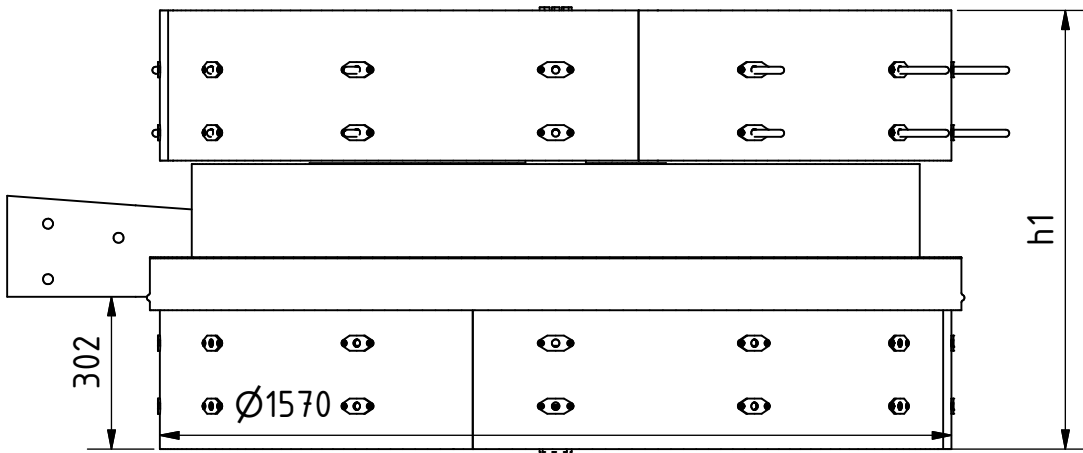
OHO e.V.



PROJECT	CREATED BY	APPROVED BY	DATE	VERSION	
Vertical Drum Hemp Harvester	A. Morillo	D. Jaeger	12-04-2024	0.05	
PART NAME	SPECIFICACIONES			CODE	
Part 1.25.7	Steel 235J2, square profile 30*30*3			1.25.7	
DEVELOPED BY	REDESIGNED BY	FILENAME		QTY	
Hanfasser		1.25.7.ipt		2	
		LICENSE	DOC. TYPE	SCALE	SHEET
		CC-BY-SA 4.0	Part	1 : 15	79 /147

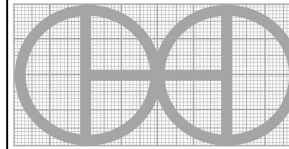


PROJECT	CREATED BY	APPROVED BY	DATE	VERSION	
Vertical Drum Hemp Harvester	A. Morillo	D. Jaeger	12-04-2024	0.05	
PART NAME	SPECIFICACIONES			CODE	
Part 1.25.8	Steel 235J2, square profile 30*30*3			1.25.8	
DEVELOPED BY	REDESIGNED BY	FILENAME		QTY	
Hanfasser		1.25.8.ipt		6	
		LICENSE	DOC. TYPE	SCALE	SHEET
		CC-BY-SA 4.0	Part	1 : 1	80 /147



Size table	
Pos	h1
2_A (right)	870 mm
2_B (left)	880 mm

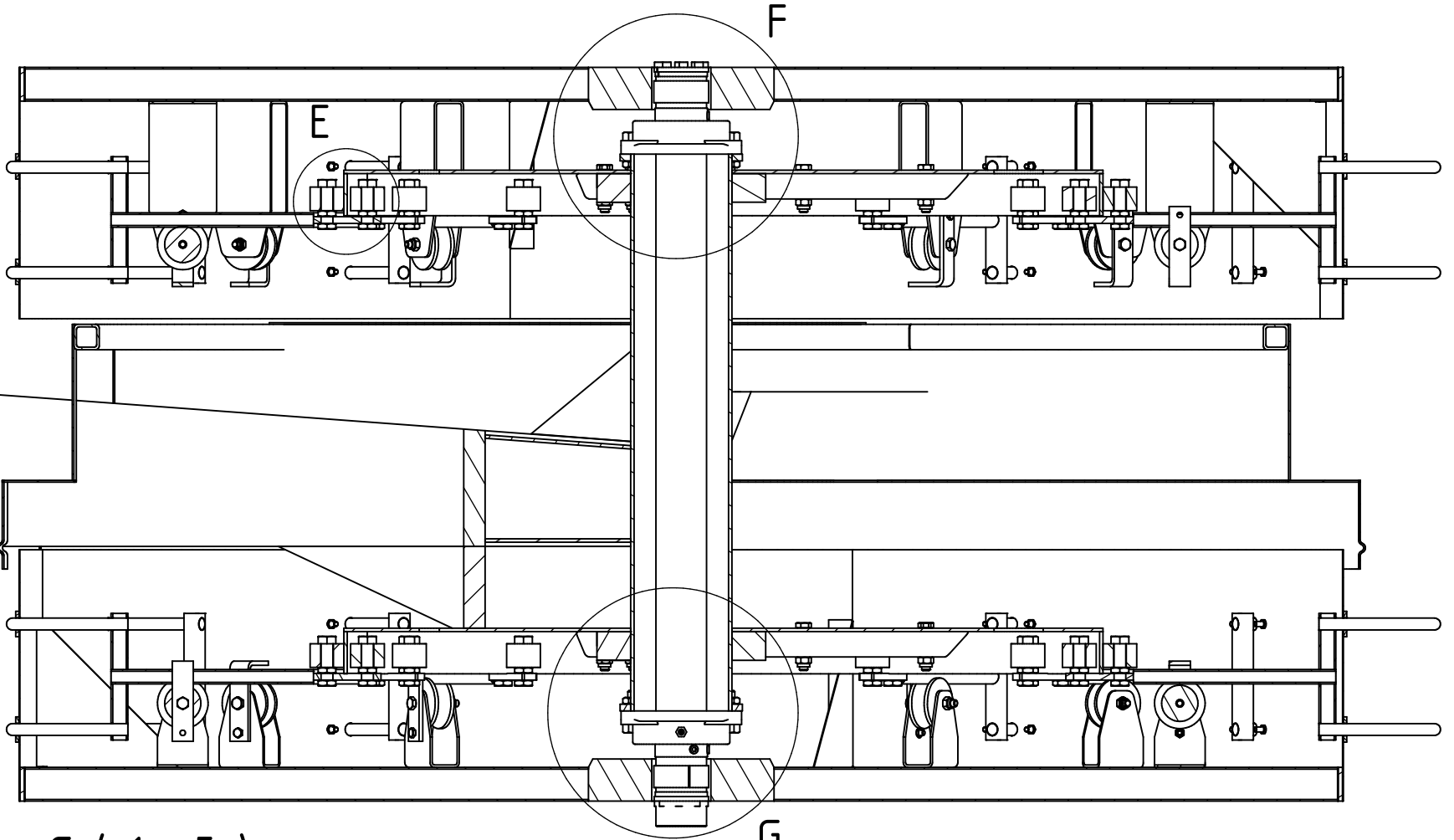
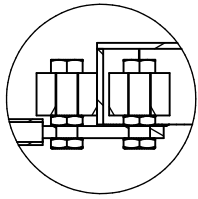
PROJECT	CREATED BY	APPROVED BY	DATE	VERSION
Vertical Drum Hemp Harvester	A. Morillo	D. Jaeger	12-04-2024	0.05
PART NAME	SPECIFICACIONES			CODE
Main frame top cpl with attachments				2.0.0
DEVELOPED BY	REDESIGNED BY	FILENAME	QTY	
		2.iam	2	
		LICENSE	DOC. TYPE	SCALE SHEET
		CC-BY-SA 4.0	Assembly	1 : 15 81 /147



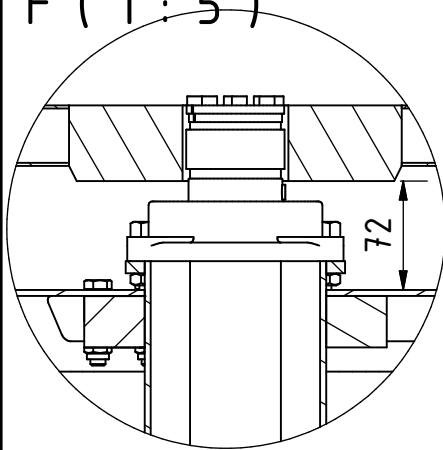
OHO e.V.

Hanfasser

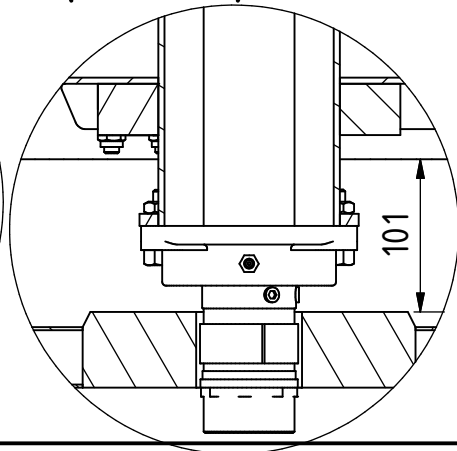
E (1 : 5)



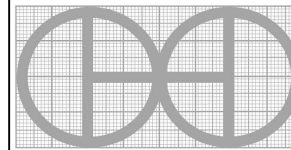
F (1 : 5)



G (1 : 5)

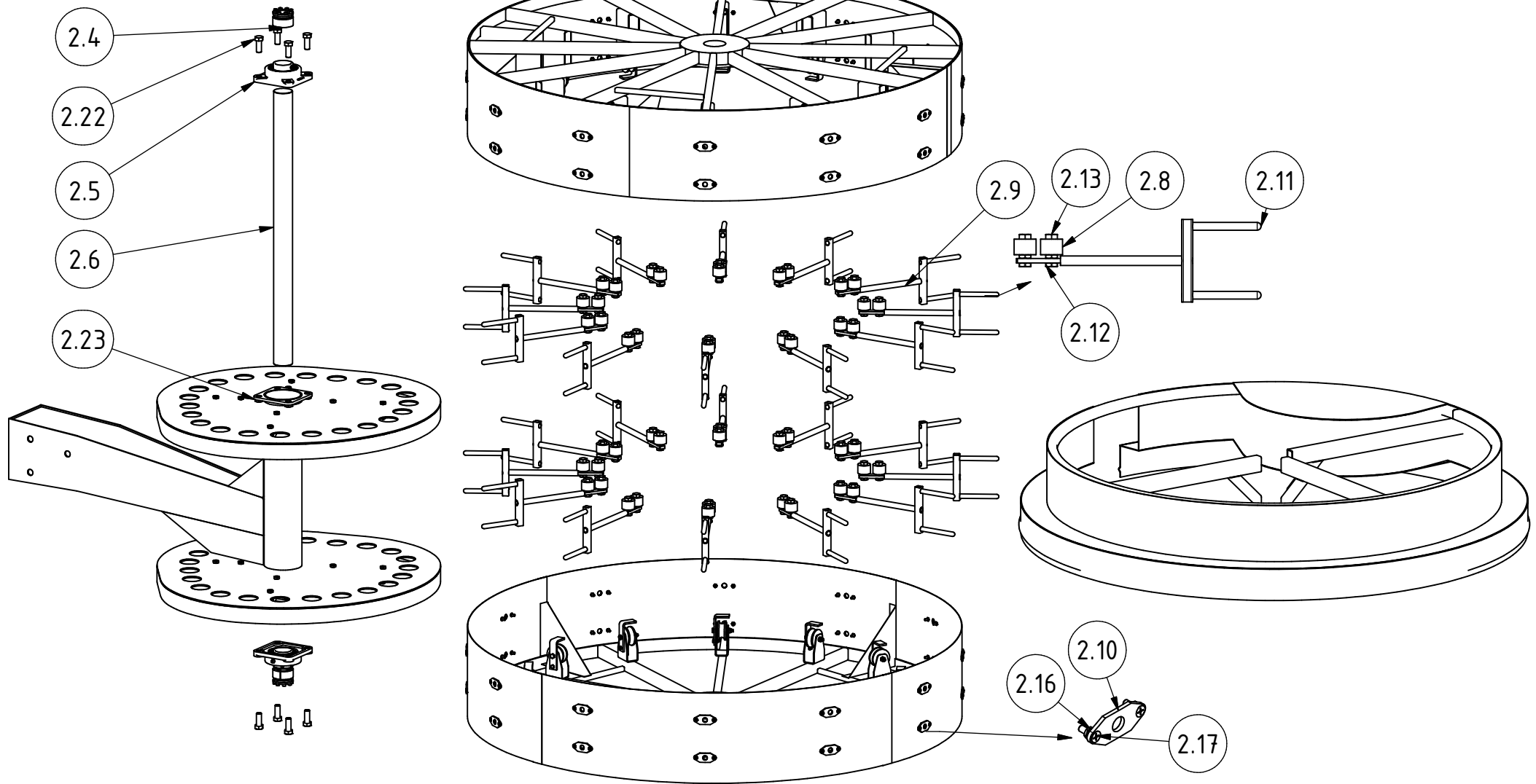


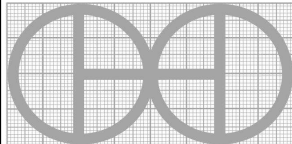
PROJECT	CREATED BY	APPROVED BY	DATE	VERSION
Vertical Drum Hemp Harvester	A. Morillo	D. Jaeger	12-04-2024	0.05
PART NAME	SPECIFICACIONES			CODE
Main frame top cpl with attachments				2.0.0
DEVELOPED BY	REDESIGNED BY	FILENAME	QTY	
		2.iam	2	
		LICENSE	DOC. TYPE	SCALE SHEET
		CC-BY-SA 4.0	Assembly	2 : 15 82 /147

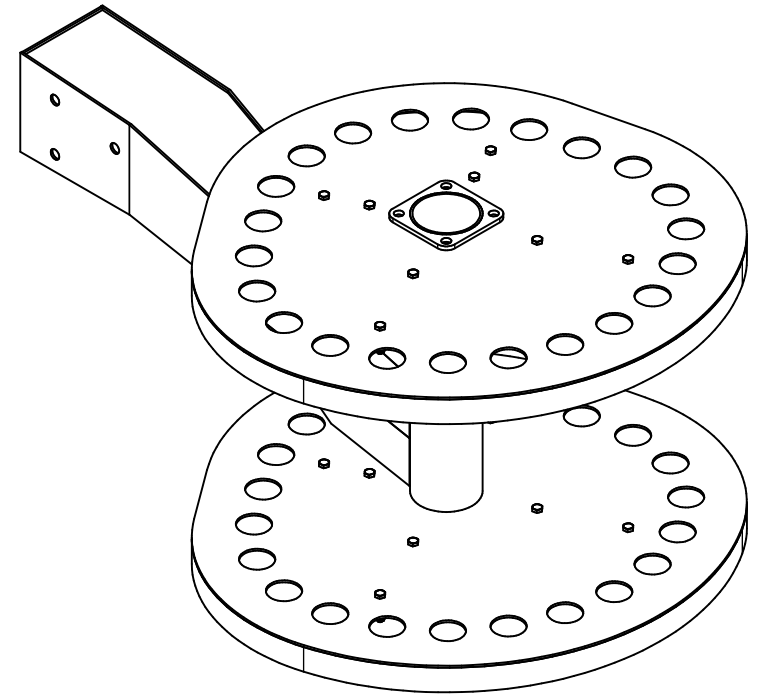
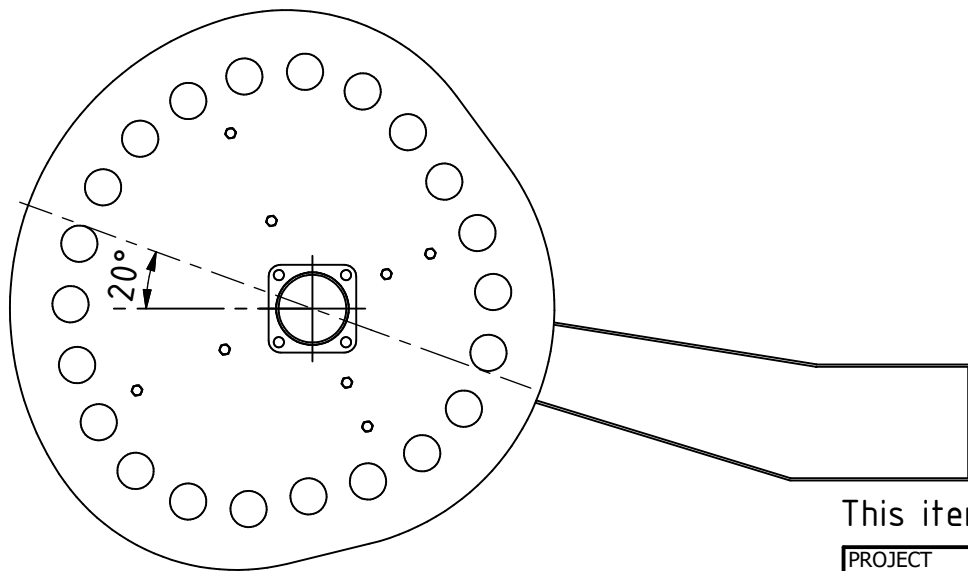
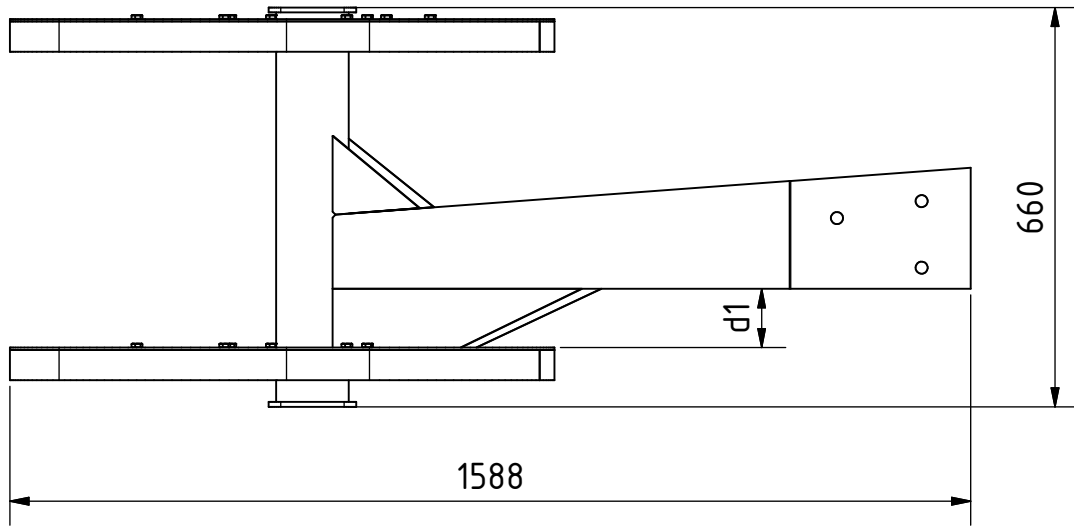


Hanfasser

OHO e.v.

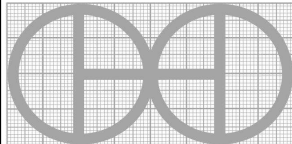


PROJECT		CREATED BY		APPROVED BY		DATE		VERSION	
Vertical Drum Hemp Harvester		A. Morillo		D. Jaeger		12-04-2024		0.05	
PART NAME		SPECIFICACIONES						CODE	
Main frame top cpl with attachments								2.0.0	
DEVELOPED BY		REDESIGNED BY		FILENAME				QTY	
Hanfasser				2.ipn				2	
				LICENSE		DOC. TYPE		SCALE	
				CC-BY-SA 4.0		Assembly		2 : 35	
								83 /147	



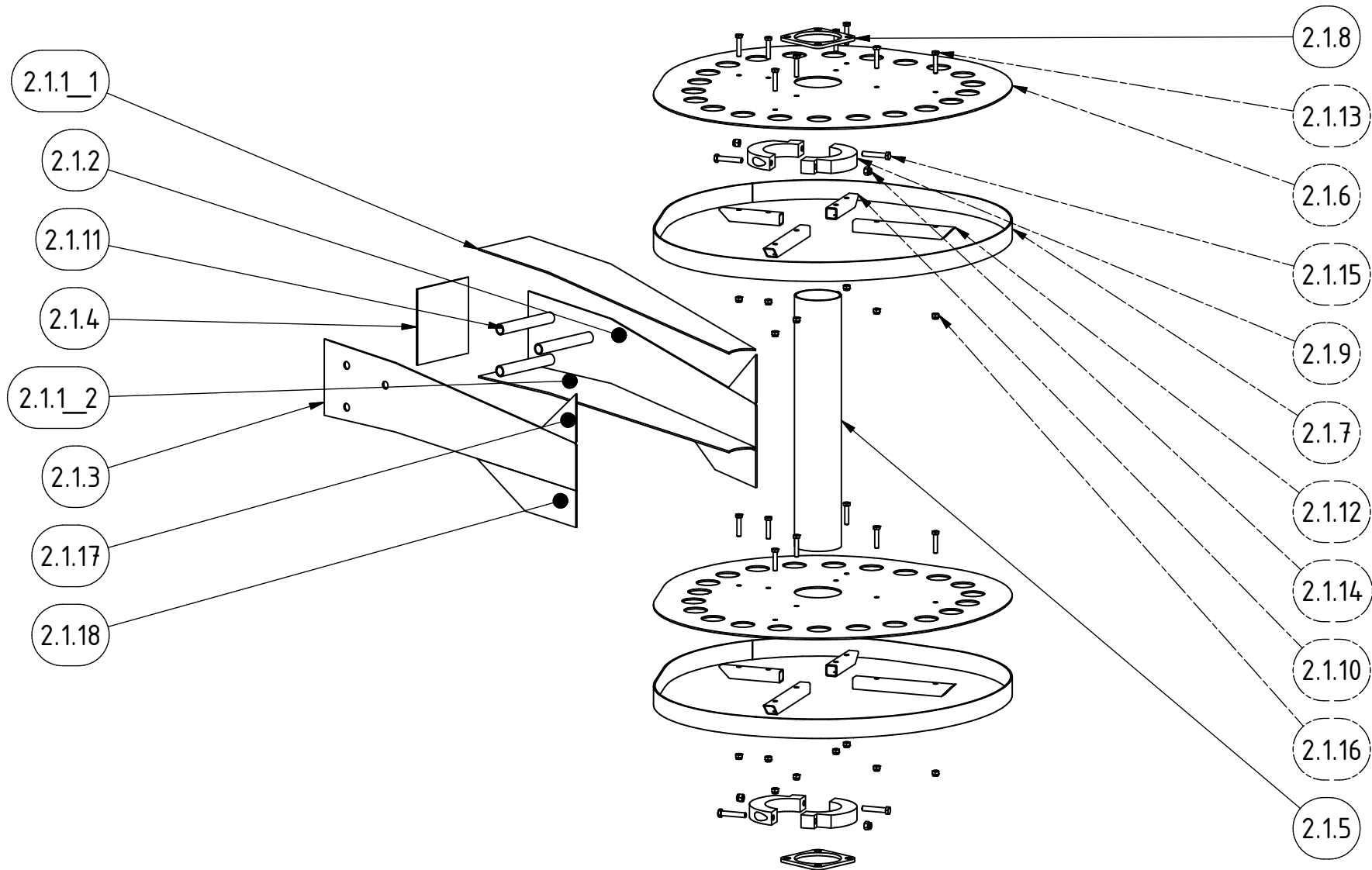
Size table	
Pos	d1
2.1_A (right)	97 mm
2.1_B (left)	137 mm

This item was adjusted to avoid interference problems

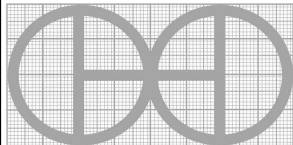
PROJECT	CREATED BY	APPROVED BY	DATE	VERSION
Vertical Drum Hemp Harvester	A. Morillo	D. Jaeger	12-04-2024	0.05
PART NAME	SPECIFICACIONES			CODE
Main frame top				2.1.0
DEVELOPED BY	REDESIGNED BY	FILENAME	QTY	
		2.1.iam	2	
Hanfasser		LICENSE	DOC. TYPE	SHEET
		CC-BY-SA 4.0	Assembly	84 /147

OHO e.V.

SCALE 2 : 25

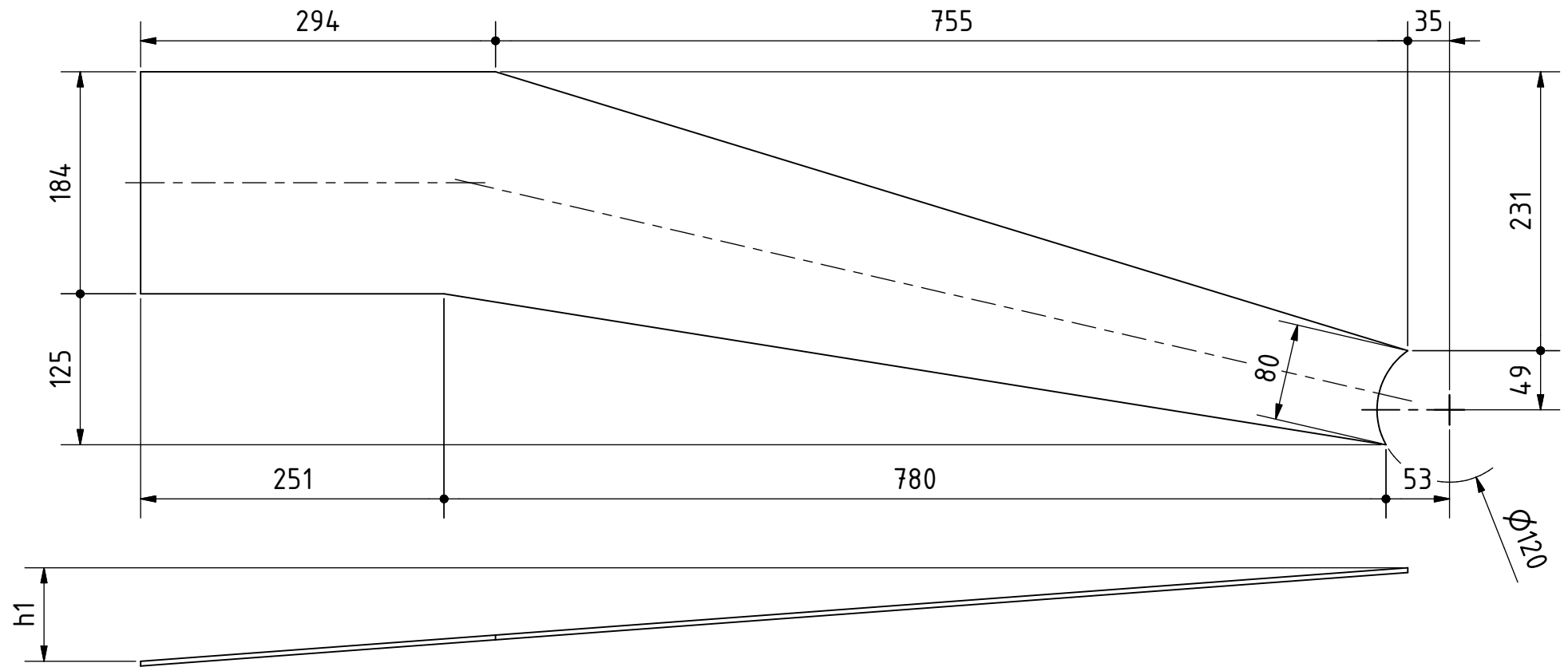


PROJECT	CREATED BY	APPROVED BY	DATE	VERSION
Vertical Drum Hemp Harvester	A. Morillo	D. Jaeger	12-04-2024	0.05
PART NAME	SPECIFICACIONES			CODE
Main frame top				2.1.0
DEVELOPED BY	REDESIGNED BY	FILENAME		QTY
		2.1.ipn		2
		LICENSE	DOC. TYPE	SCALE
		CC-BY-SA 4.0	Assembly	1 : 15
				SHEET
				85 /147

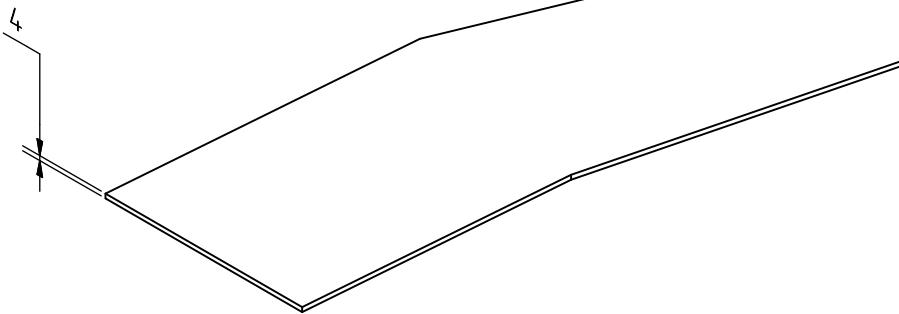


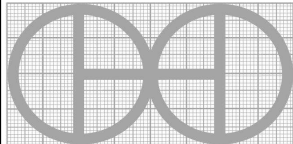
OHO e.V.

Hanfasser

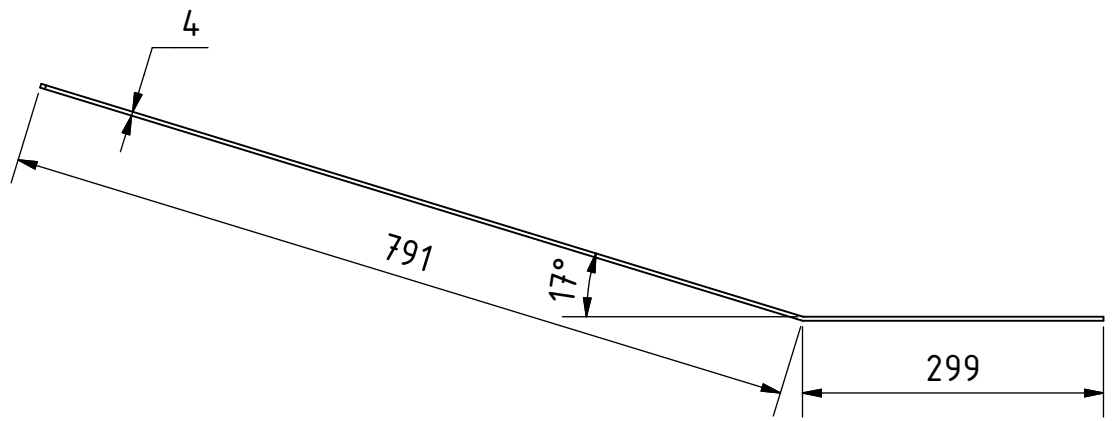
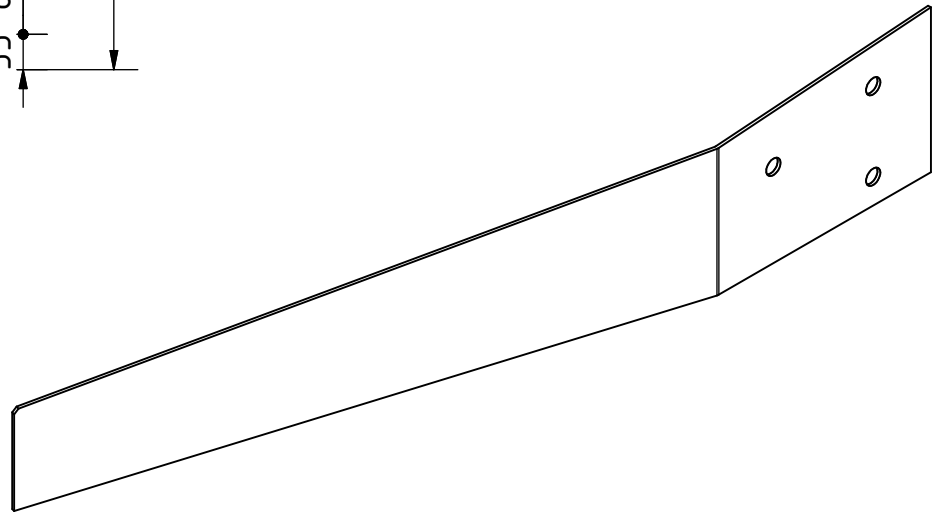
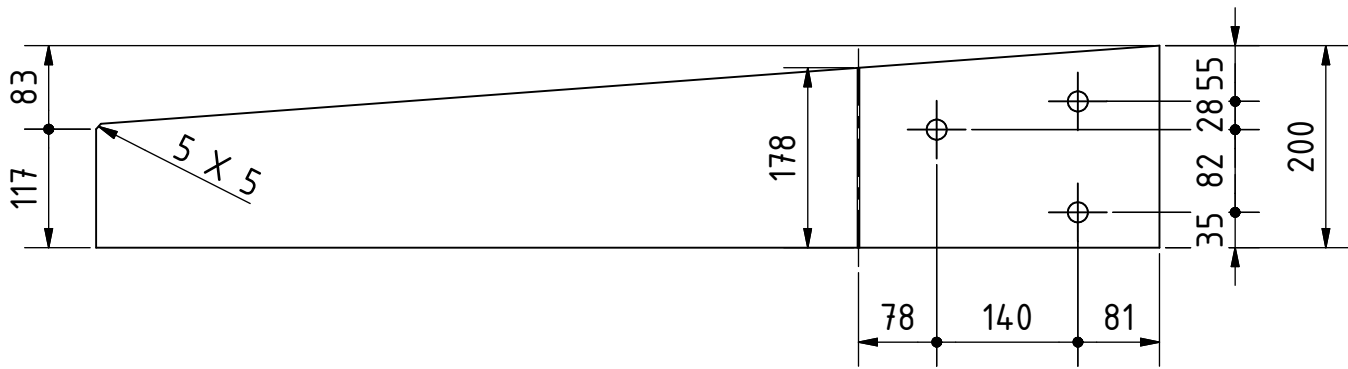


Size table	
Pos	h1
2.1.1_1	80 mm
2.1.1_2	0 mm

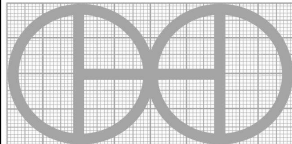


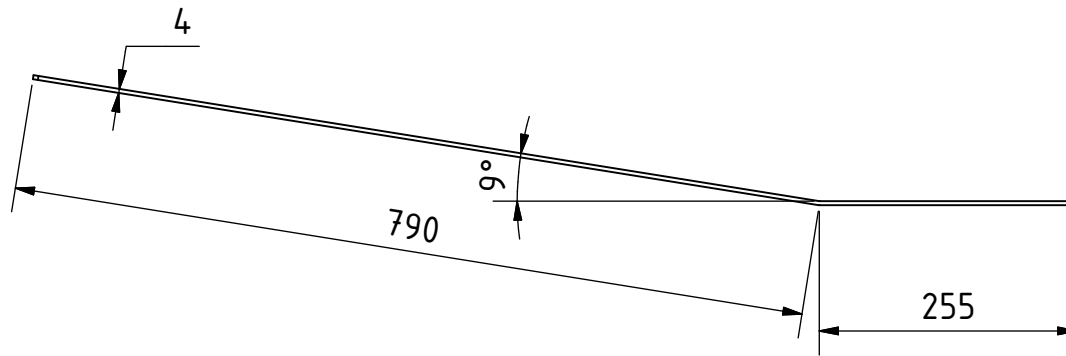
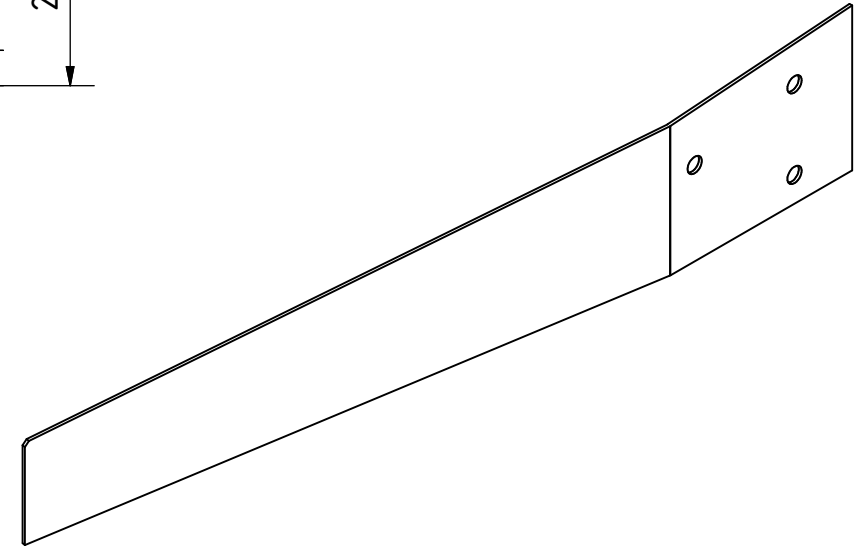
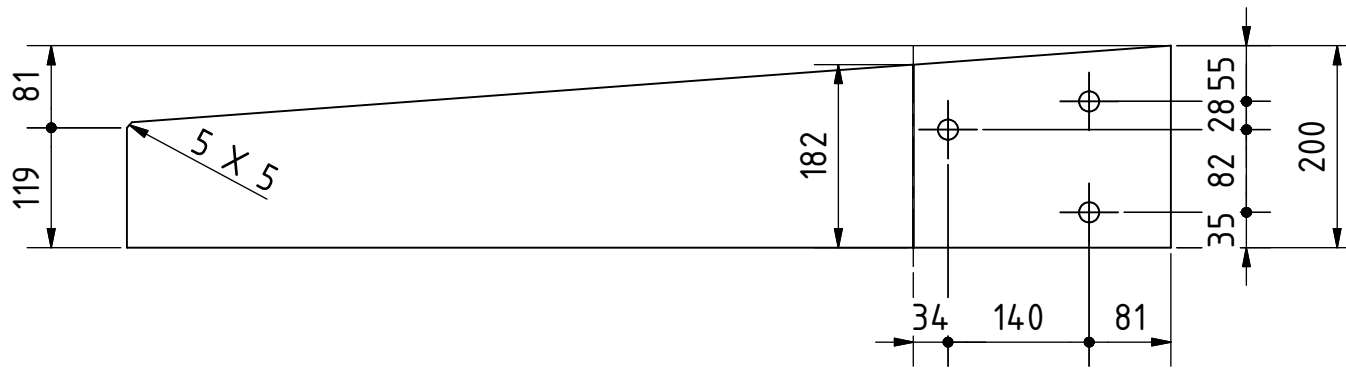
PROJECT	CREATED BY	APPROVED BY	DATE	VERSION	
Vertical Drum Hemp Harvester	A. Morillo	D. Jaeger	12-04-2024	0.05	
PART NAME	SPECIFICACIONES			CODE	
Part 2.1.1	Steel 235J2			2.1.1	
DEVELOPED BY	REDESIGNED BY	FILENAME		QTY	
		2.1.1.ipt		4	
Hanfasser		LICENSE	DOC. TYPE	SCALE	SHEET
		CC-BY-SA 4.0	Part	1 : 5	86 /147

OHO e.V.

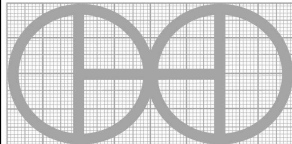


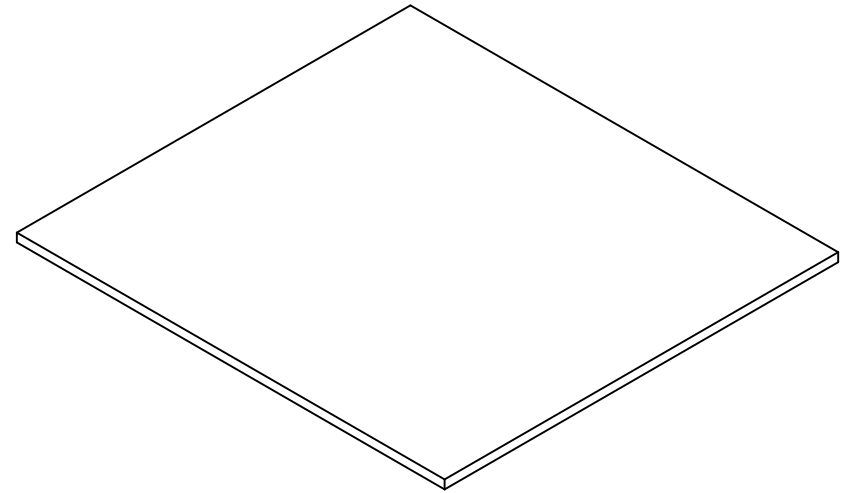
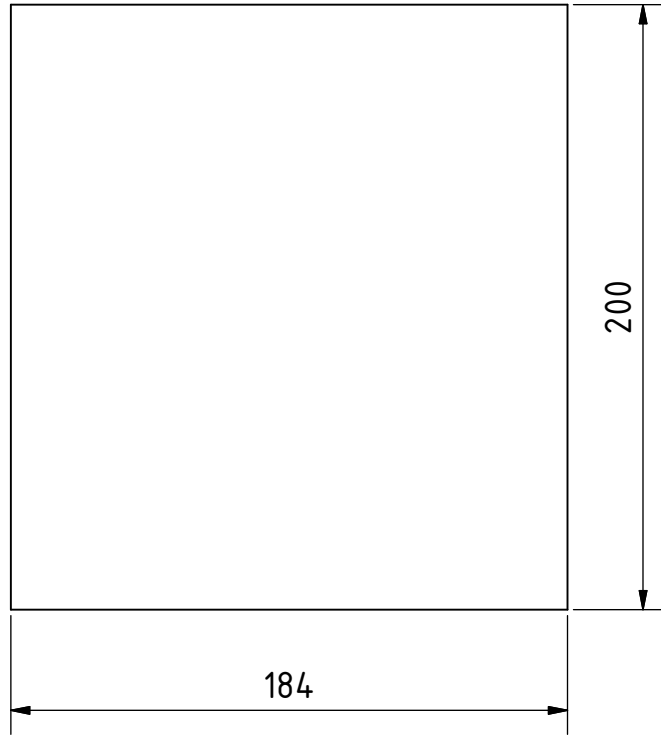
Symmetrical item

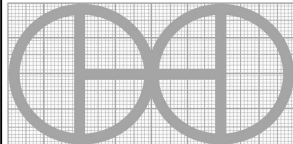
PROJECT	CREATED BY	APPROVED BY	DATE	VERSION	
Vertical Drum Hemp Harvester	A. Morillo	D. Jaeger	12-04-2024	0.05	
PART NAME	SPECIFICACIONES			CODE	
Part 2.1.2	Steel 235J2			2.1.2	
DEVELOPED BY	REDESIGNED BY	FILENAME		QTY	
Hanfasser		2.1.2.ipt		2	
		LICENSE	DOC. TYPE	SCALE	SHEET
		CC-BY-SA 4.0	Part	2 : 15	87 /147



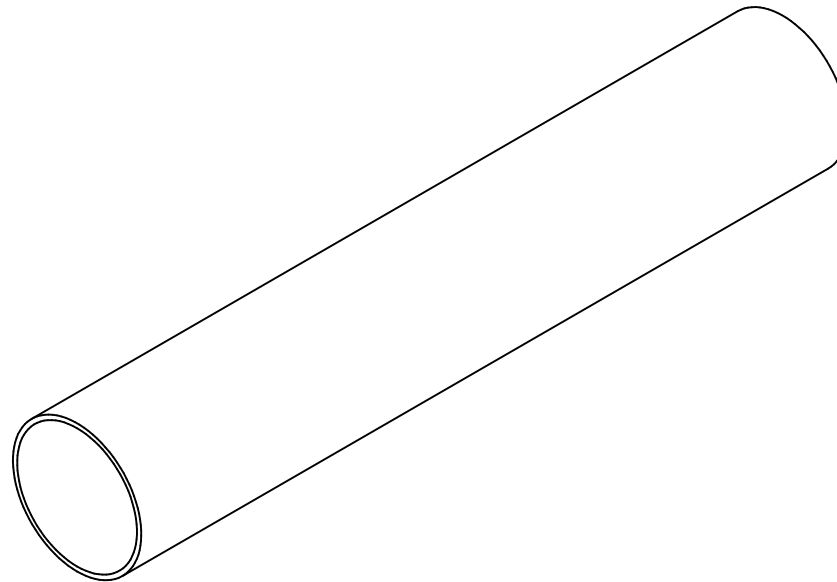
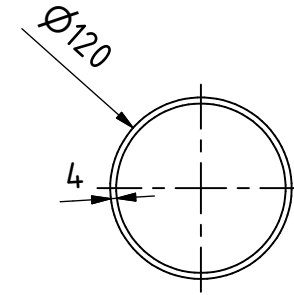
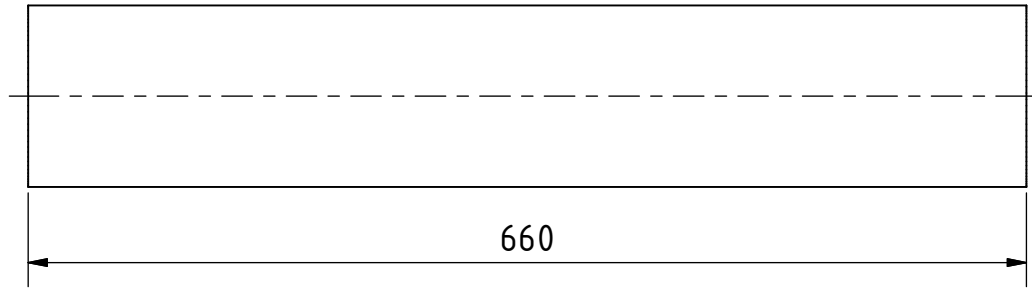
Symmetrical item

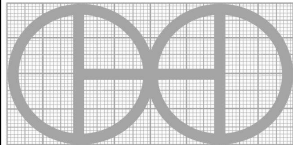
PROJECT	CREATED BY	APPROVED BY	DATE	VERSION	
Vertical Drum Hemp Harvester	A. Morillo	D. Jaeger	12-04-2024	0.05	
PART NAME	SPECIFICACIONES			CODE	
Part 2.1.3	Steel 235J2			2.1.3	
DEVELOPED BY	REDESIGNED BY	FILENAME		QTY	
Hanfasser		2.1.3.ipt		2	
		LICENSE	DOC. TYPE	SCALE	SHEET
		CC-BY-SA 4.0	Part	2 : 15	88 /147



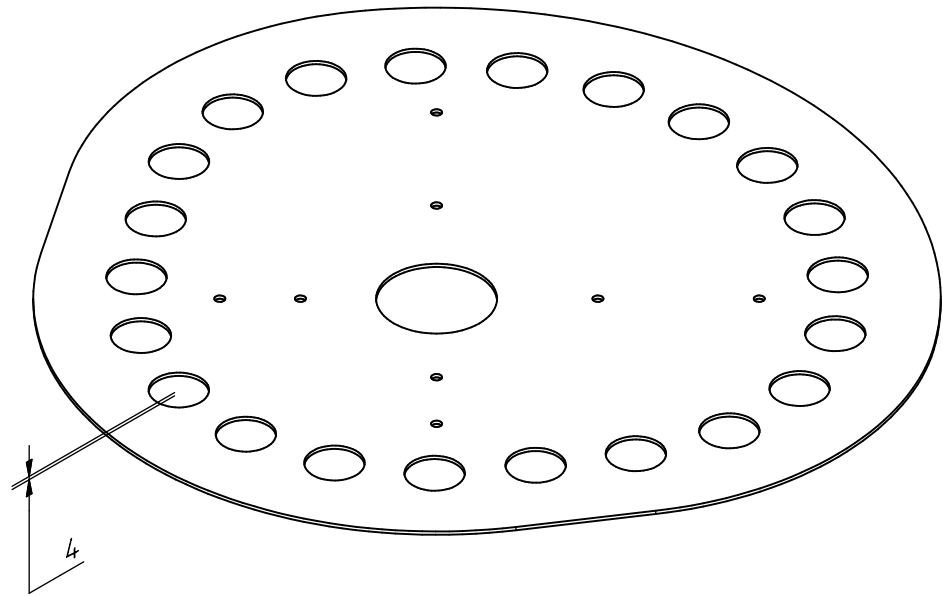
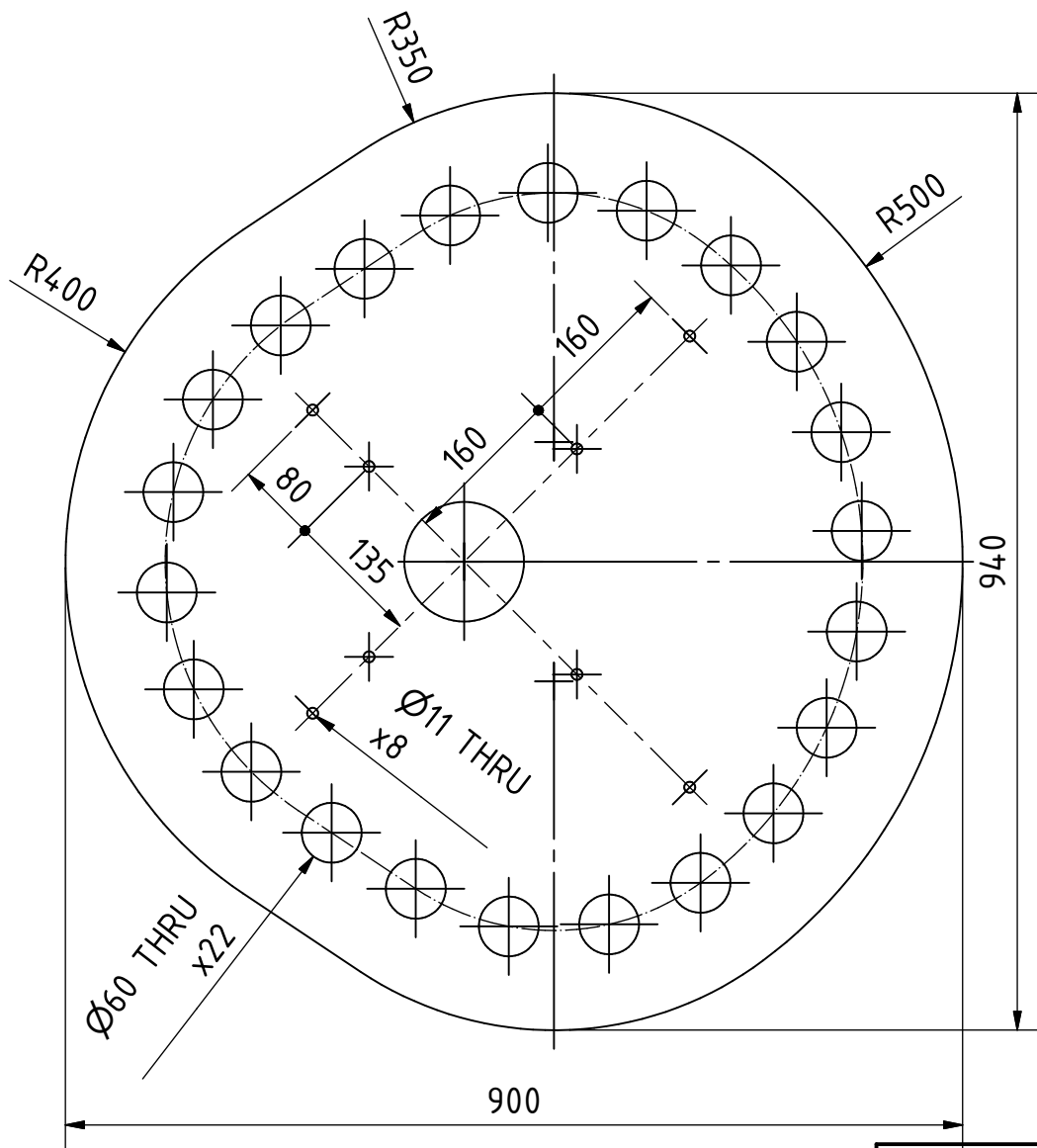
PROJECT	CREATED BY	APPROVED BY	DATE	VERSION	
Vertical Drum Hemp Harvester	A. Morillo	D. Jaeger	12-04-2024	0.05	
PART NAME	SPECIFICACIONES			CODE	
Part 2.1.4	Steel 235J2			2.1.4	
DEVELOPED BY	REDESIGNED BY	FILENAME		QTY	
Hanfasser		2.1.4.ipt		2	
		LICENSE	DOC. TYPE	SCALE	SHEET
		CC-BY-SA 4.0	Part	2 : 5	89 /147

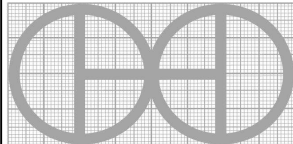
OHO e.V.

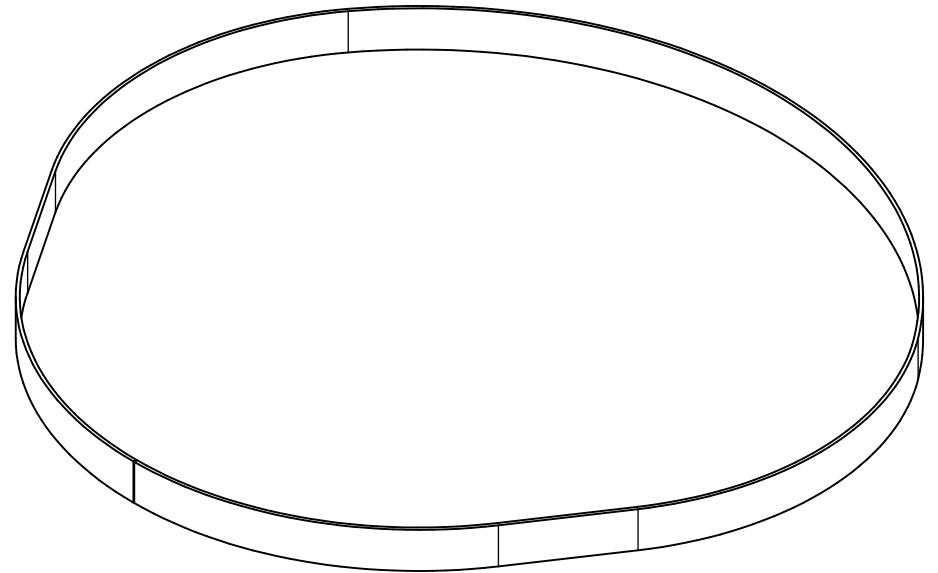
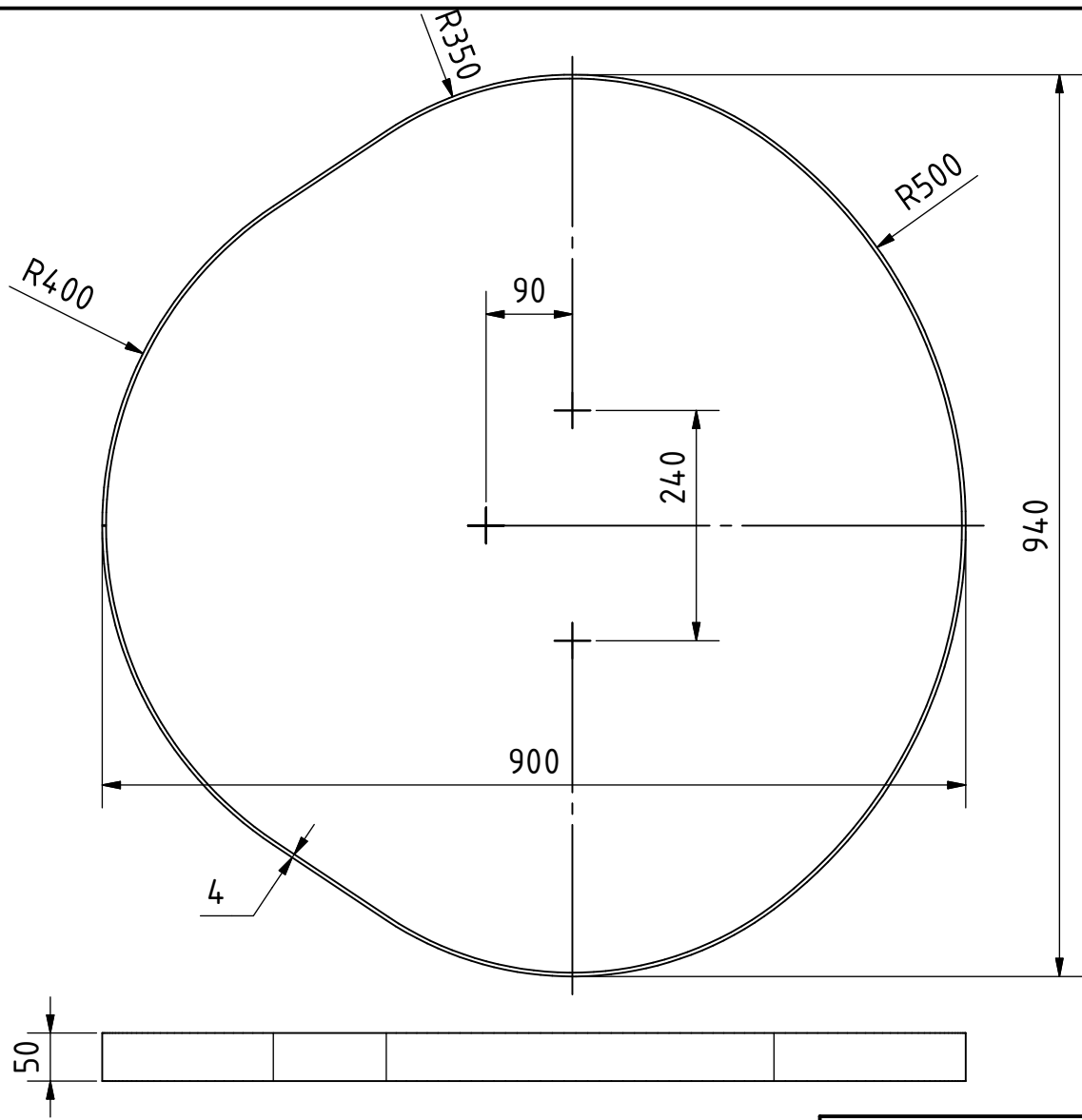


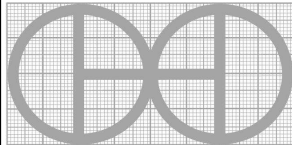
PROJECT	CREATED BY	APPROVED BY	DATE	VERSION	
Vertical Drum Hemp Harvester	A. Morillo	D. Jaeger	12-04-2024	0.05	
PART NAME	SPECIFICACIONES			CODE	
Part 2.1.5	Steel 235J2			2.1.5	
DEVELOPED BY	REDESIGNED BY	FILENAME		QTY	
Hanfasser		2.1.5.ipt		2	
		LICENSE	DOC. TYPE	SCALE	SHEET
		CC-BY-SA 4.0	Part	1 : 5	90 /147

OHO e.V.



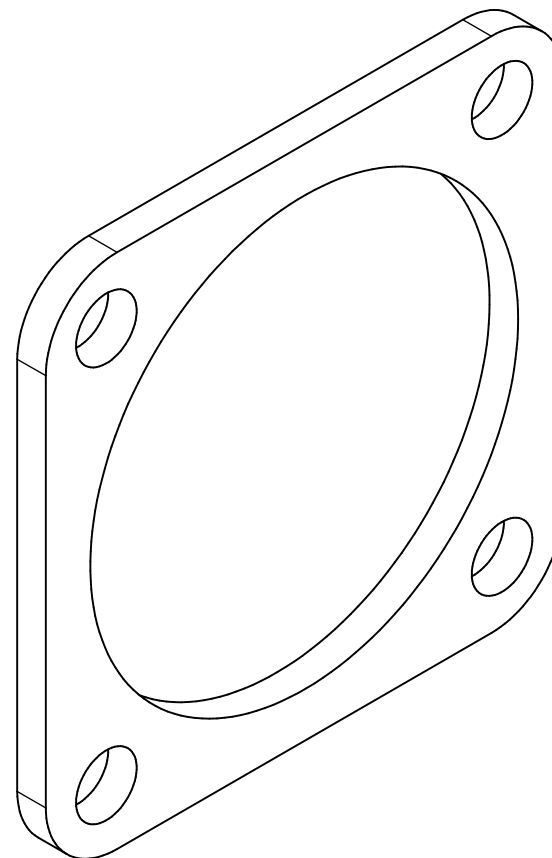
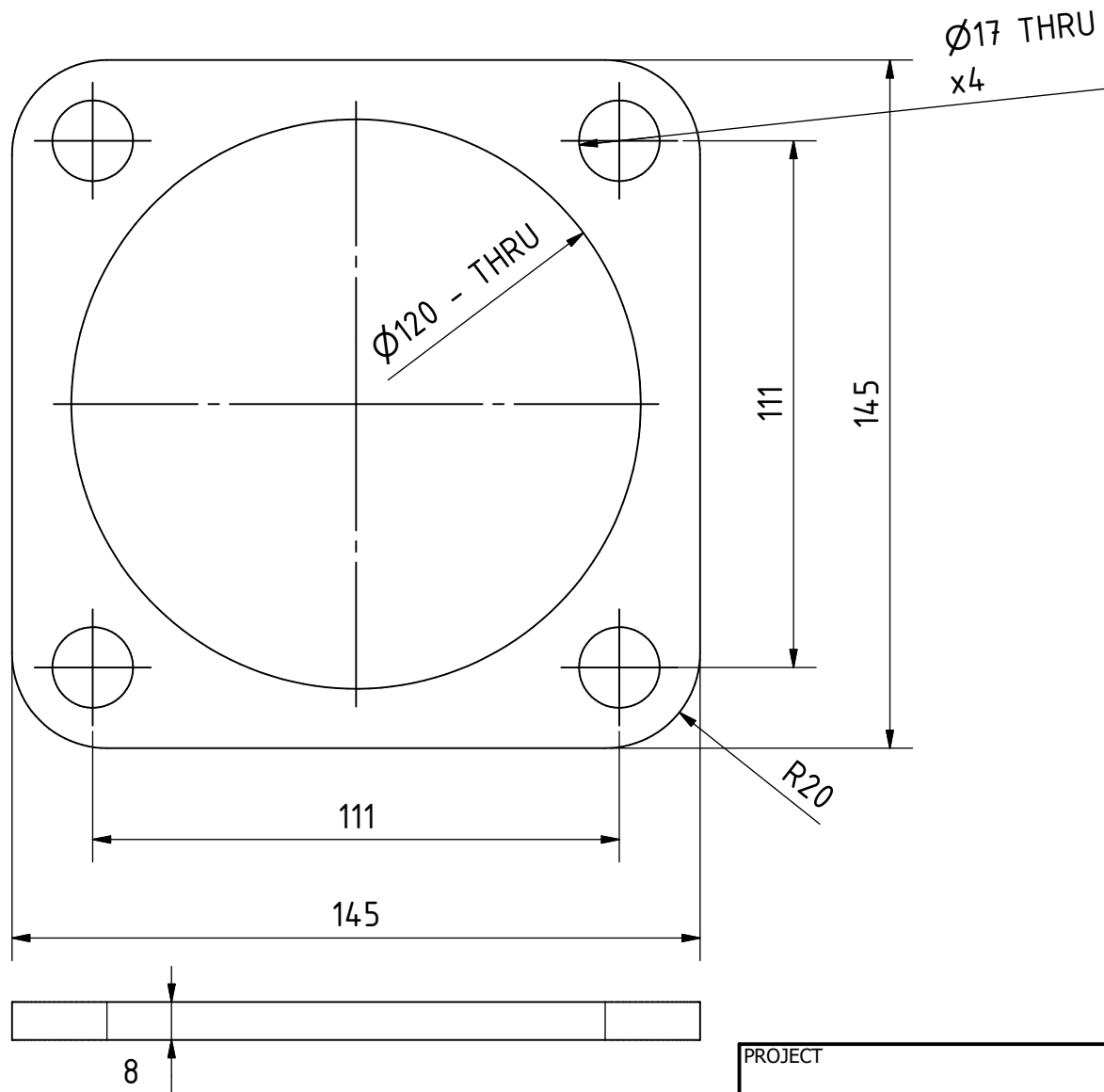
PROJECT		CREATED BY		APPROVED BY		DATE		VERSION		
Vertical Drum Hemp Harvester		A. Morillo		D. Jaeger		12-04-2024		0.05		
PART NAME		SPECIFICACIONES							CODE	
Part 2.1.6		Steel 235J2							2.1.6	
DEVELOPED BY		REDESIGNED BY		FILENAME				QTY		
Hanfasser				2.1.6.ipt				4		
		OHO e.V.		LICENSE		DOC. TYPE		SCALE		
				CC-BY-SA 4.0		Part		2 : 15		
								91 /147		



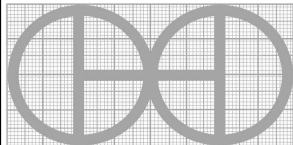
PROJECT	CREATED BY	APPROVED BY	DATE	VERSION
Vertical Drum Hemp Harvester	A. Morillo	D. Jaeger	12-04-2024	0.05
PART NAME	SPECIFICACIONES			CODE
Part 2.1.7	Steel 235J2			2.1.7
DEVELOPED BY	REDESIGNED BY	FILENAME		QTY
		2.1.7.ipt		4
		LICENSE	DOC. TYPE	SHEET
Hanfasser		CC-BY-SA 4.0	Part	92 / 147

OHO e.V.

2 : 15

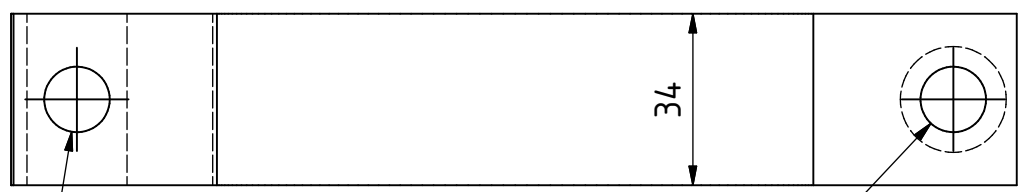
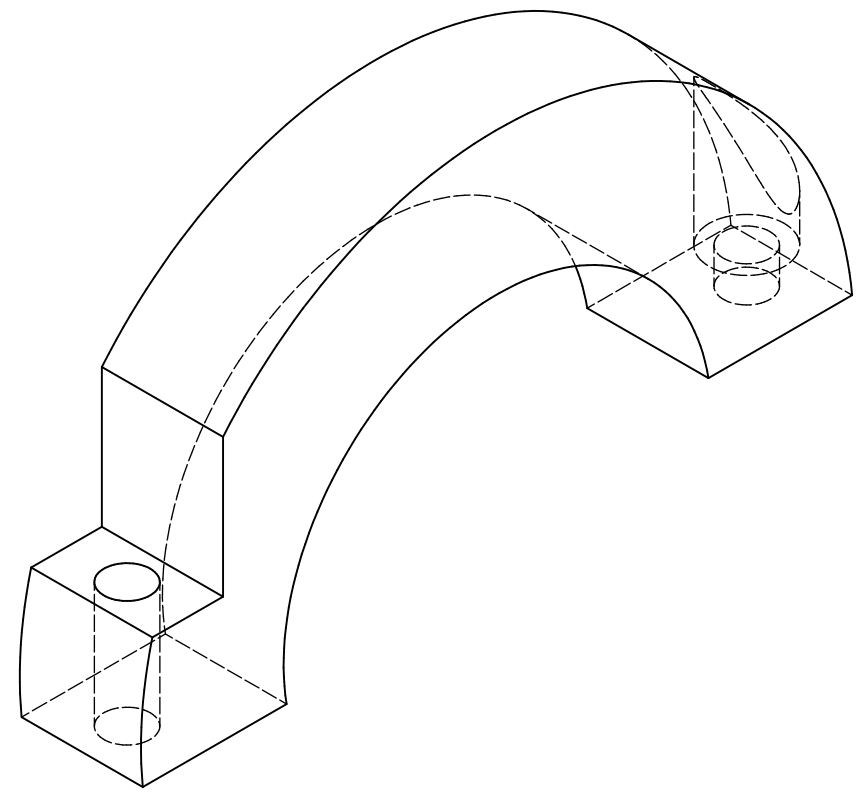
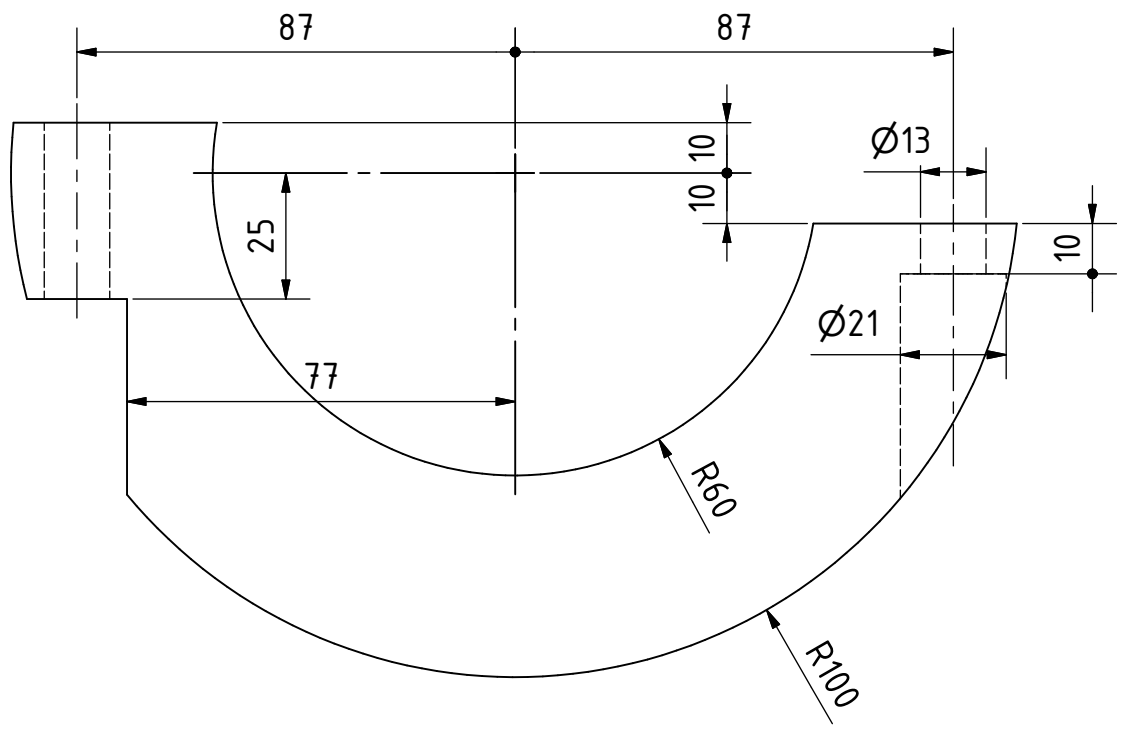


PROJECT	CREATED BY	APPROVED BY	DATE	VERSION
Vertical Drum Hemp Harvester	A. Morillo	D. Jaeger	12-04-2024	0.05
PART NAME	SPECIFICACIONES			CODE
Part 2.1.8	Steel 235J2			2.1.8
DEVELOPED BY	REDESIGNED BY	FILENAME		QTY
		2.1.8.ipt		4
		LICENSE	DOC. TYPE	SCALE
		CC-BY-SA 4.0	Part	2 : 3
				SHEET
				93 /147



OHO e.V.

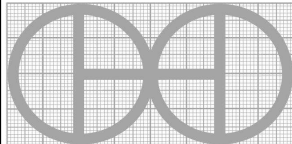

Hanfasser

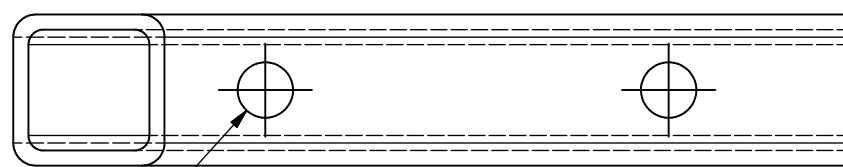
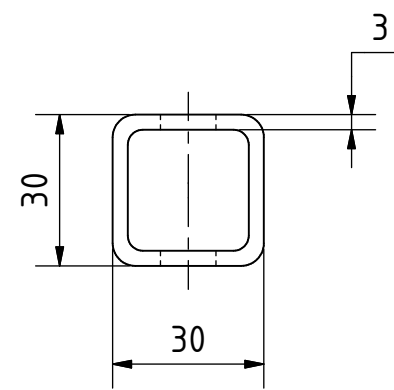
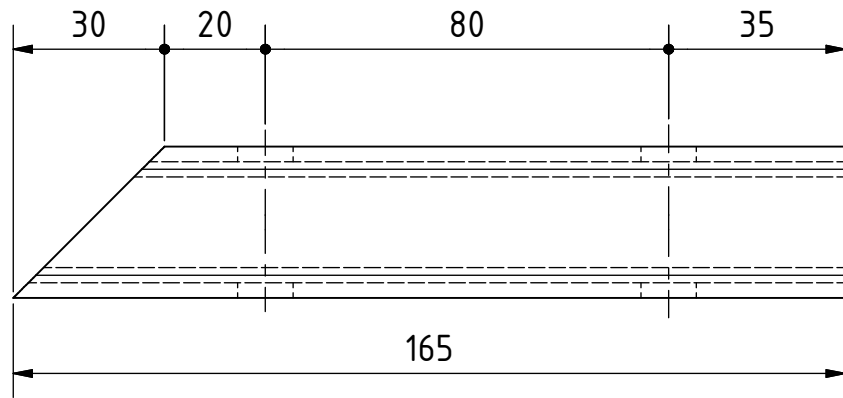


Ø13 THRU

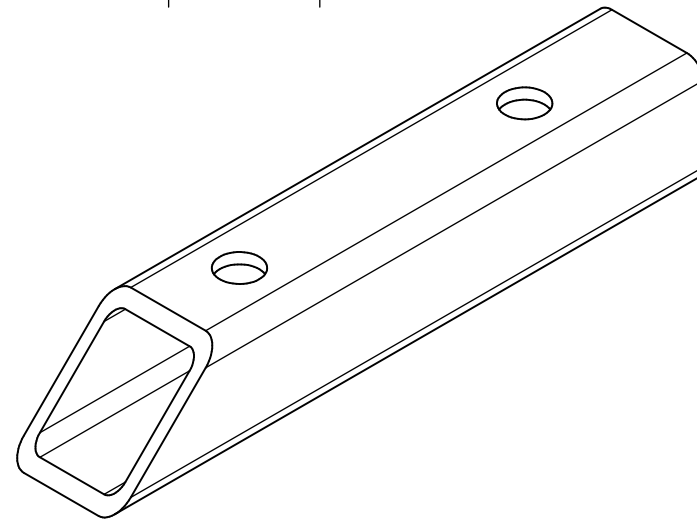
Ø13 THRU
DIN 974 - Ø21

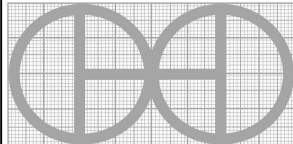
Verify material

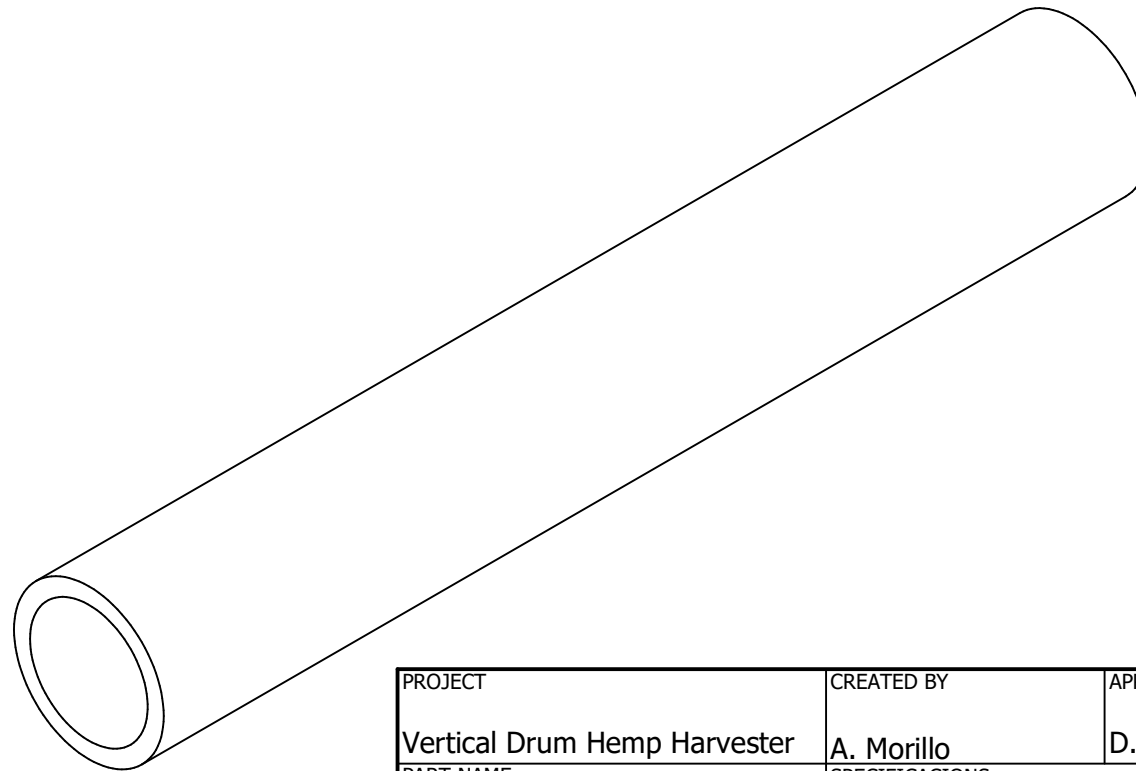
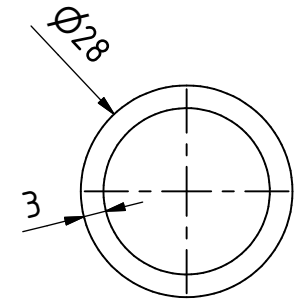
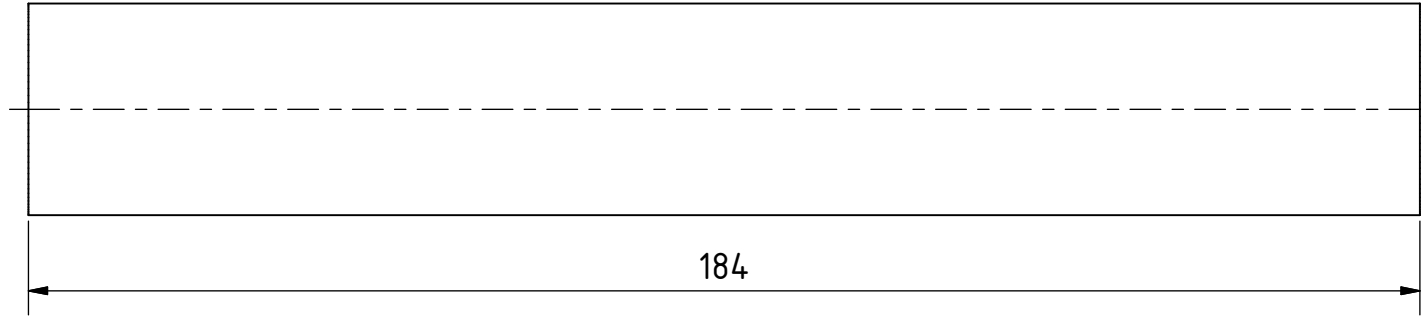
PROJECT	CREATED BY	APPROVED BY	DATE	VERSION
Vertical Drum Hemp Harvester	A. Morillo	D. Jaeger	12-04-2024	0.05
PART NAME	SPECIFICACIONES			CODE
Part 2.1.9	Cast iron (*)			2.1.9
DEVELOPED BY	REDESIGNED BY	FILENAME		QTY
		2.1.9.ipt		4
Hanfasser		LICENSE	DOC. TYPE	SHEET
		CC-BY-SA 4.0	Part	94 /147
		SCALE		
		2 : 3		

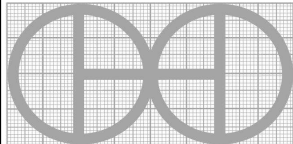


Ø11 - THRU
x2

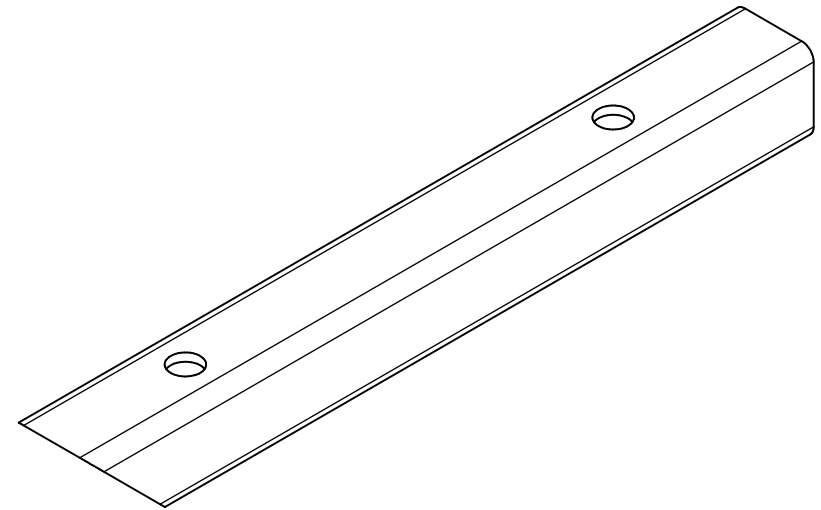
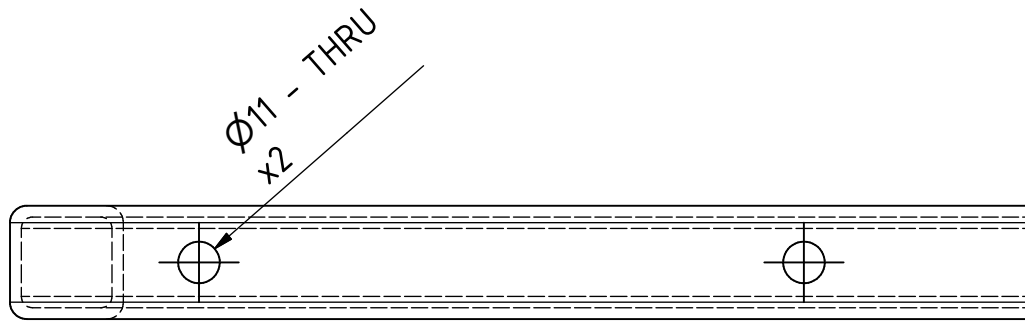
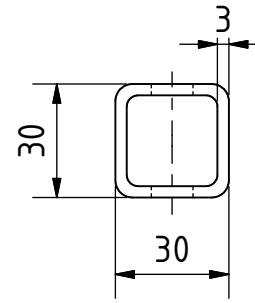
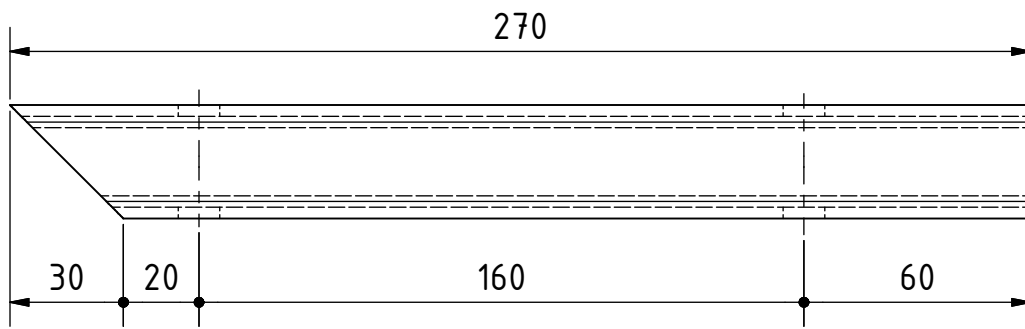


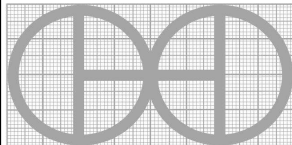
PROJECT	CREATED BY	APPROVED BY	DATE	VERSION
Vertical Drum Hemp Harvester	A. Morillo	D. Jaeger	12-04-2024	0.05
PART NAME	SPECIFICACIONES			CODE
Part 2.1.10	Steel 235J2			2.1.10
DEVELOPED BY	REDESIGNED BY	FILENAME		QTY
		2.1.10.ipt		8
Hanfasser		LICENSE	DOC. TYPE	SHEET
		CC-BY-SA 4.0	Part	2 : 3 95 /147

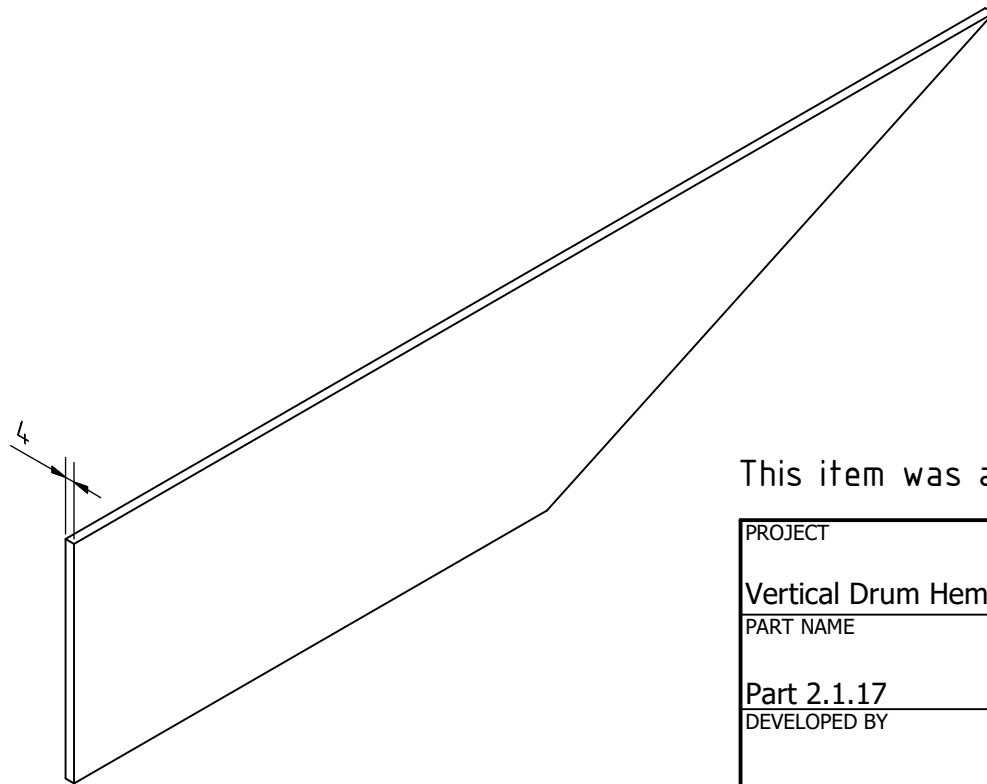
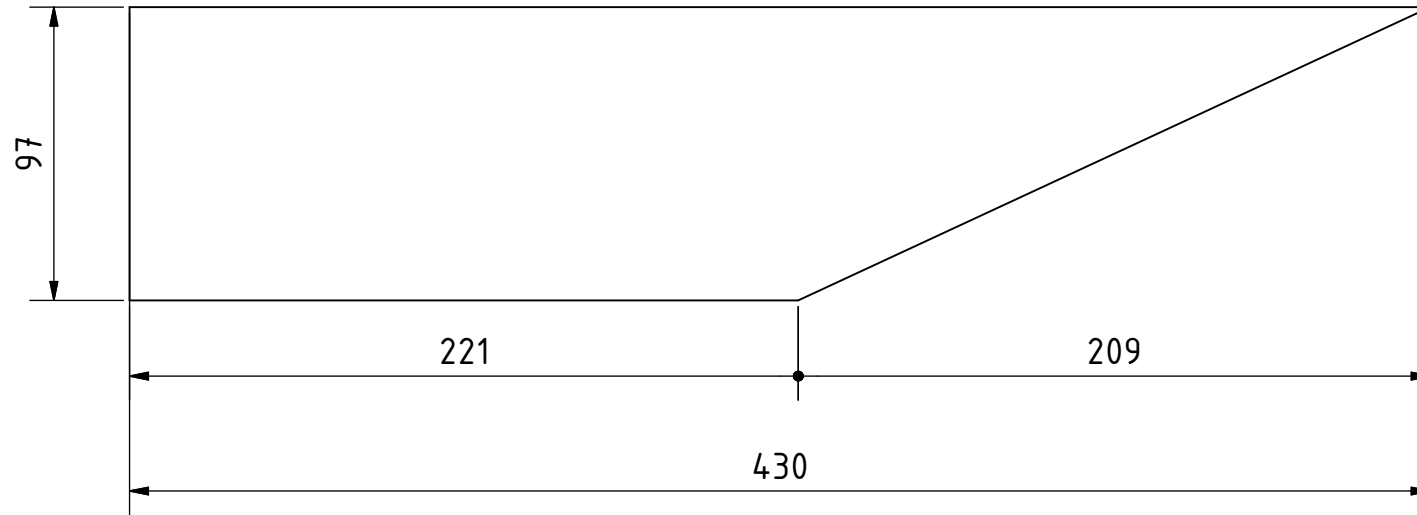


PROJECT	CREATED BY	APPROVED BY	DATE	VERSION	
Vertical Drum Hemp Harvester	A. Morillo	D. Jaeger	12-04-2024	0.05	
PART NAME	SPECIFICACIONES			CODE	
Part 2.1.11	Steel 235J2			2.1.11	
DEVELOPED BY	REDESIGNED BY	FILENAME		QTY	
Hanfasser		2.1.11.ipt		6	
		LICENSE	DOC. TYPE	SCALE	SHEET
		CC-BY-SA 4.0	Part	1 : 1	96 /147

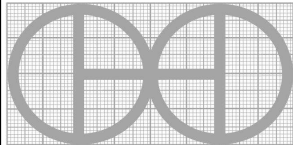
OHO e.V.



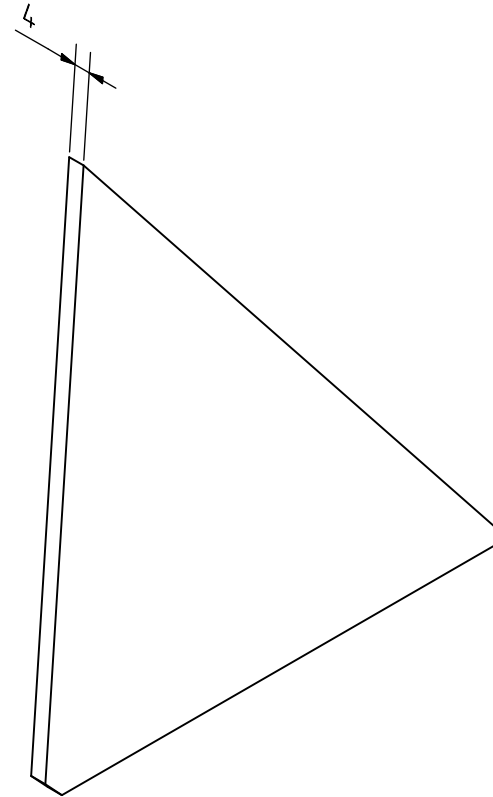
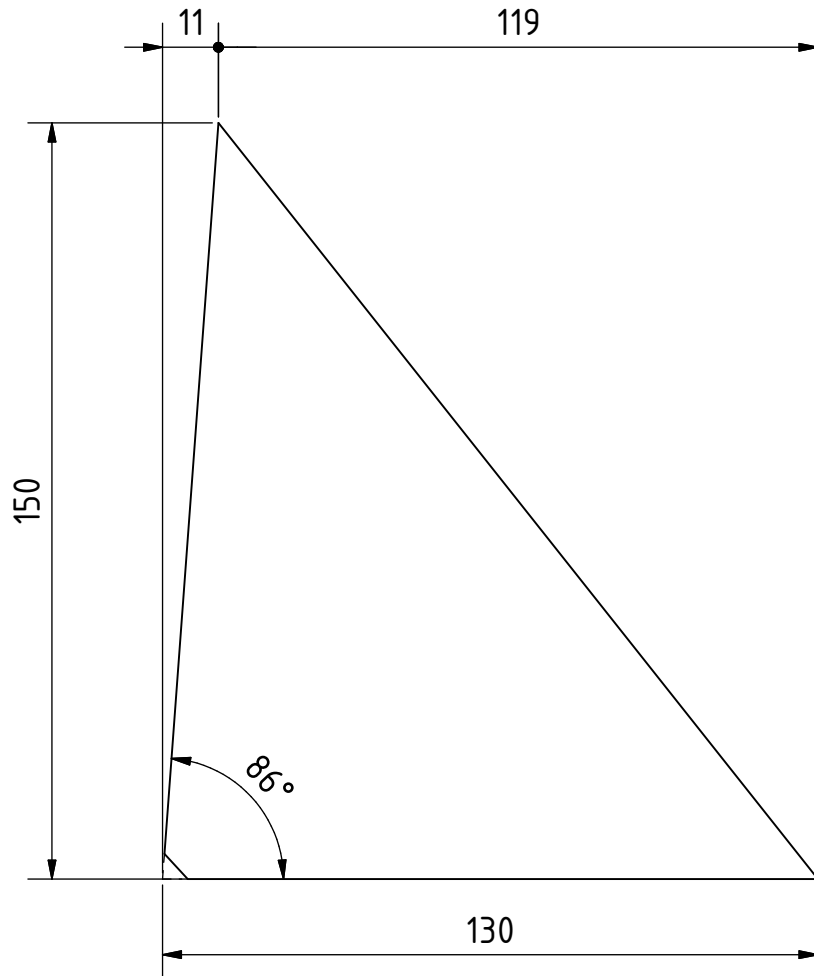
PROJECT	CREATED BY	APPROVED BY	DATE	VERSION
Vertical Drum Hemp Harvester	A. Morillo	D. Jaeger	12-04-2024	0.05
PART NAME	SPECIFICACIONES			CODE
Part 2.1.12	Steel 235J2			2.1.12
DEVELOPED BY	REDESIGNED BY	FILENAME		QTY
		2.1.12.ipt		8
Hanfasser		LICENSE	DOC. TYPE	SHEET
		CC-BY-SA 4.0	Part	1 : 2 97 /147



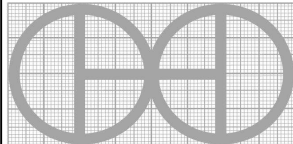
This item was adjusted to avoid interference problems

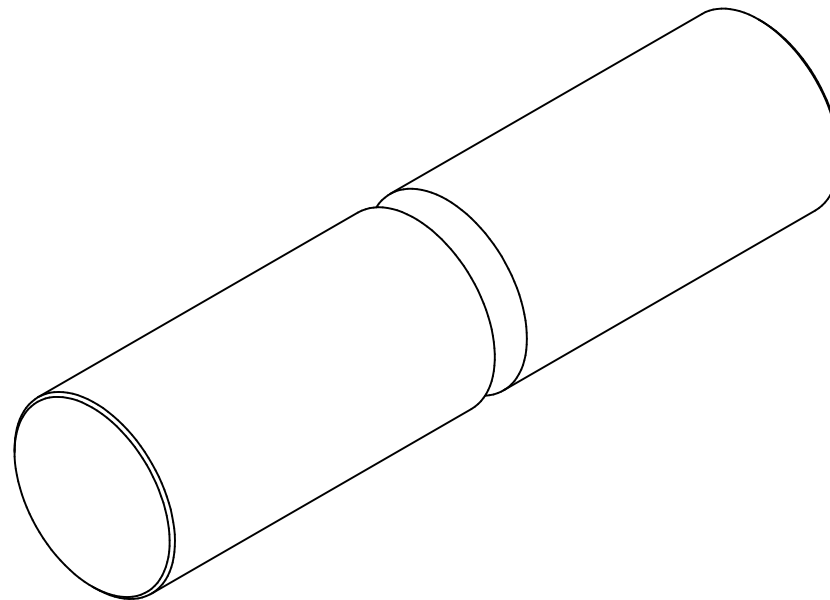
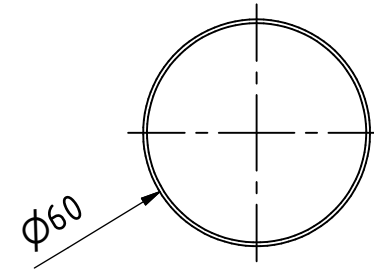
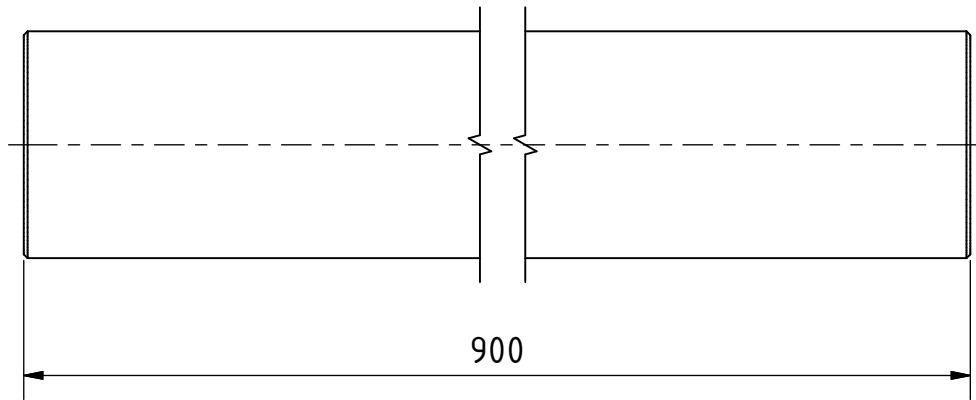
PROJECT	CREATED BY	APPROVED BY	DATE	VERSION
Vertical Drum Hemp Harvester	A. Morillo	D. Jaeger	12-04-2024	0.05
PART NAME	SPECIFICACIONES			CODE
Part 2.1.17	Steel 235J2			2.1.17
DEVELOPED BY	REDESIGNED BY	FILENAME		QTY
		2.1.17.ipt		4
Hanfasser		LICENSE	DOC. TYPE	SCALE
		CC-BY-SA 4.0	Part	2 : 5
				SHEET
				98 /147

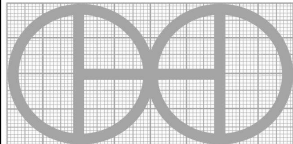
OHO e.V.

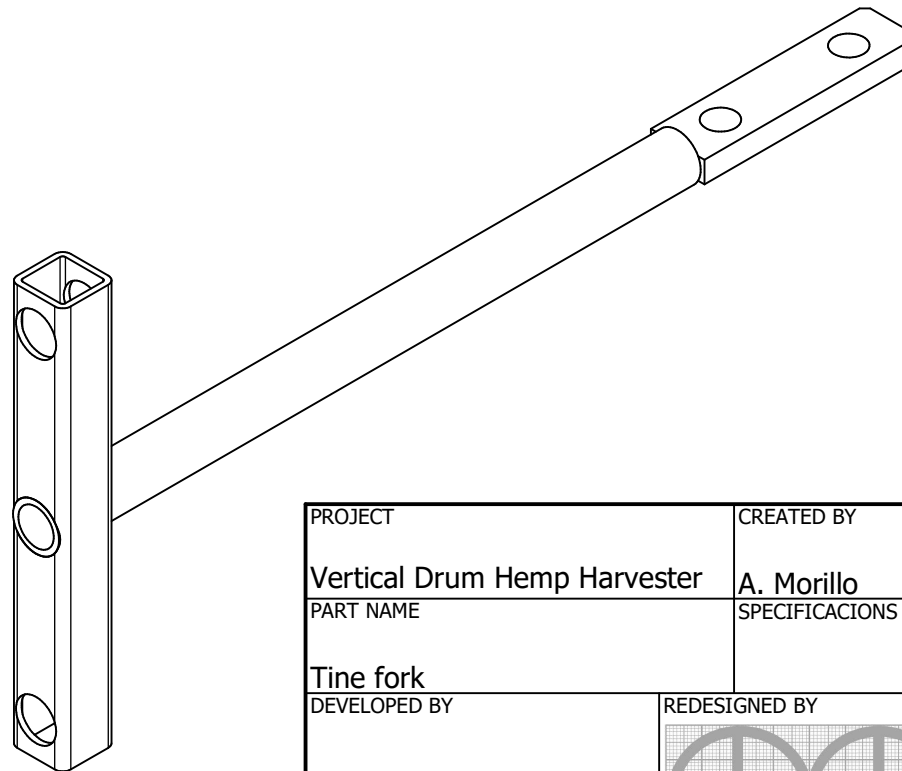
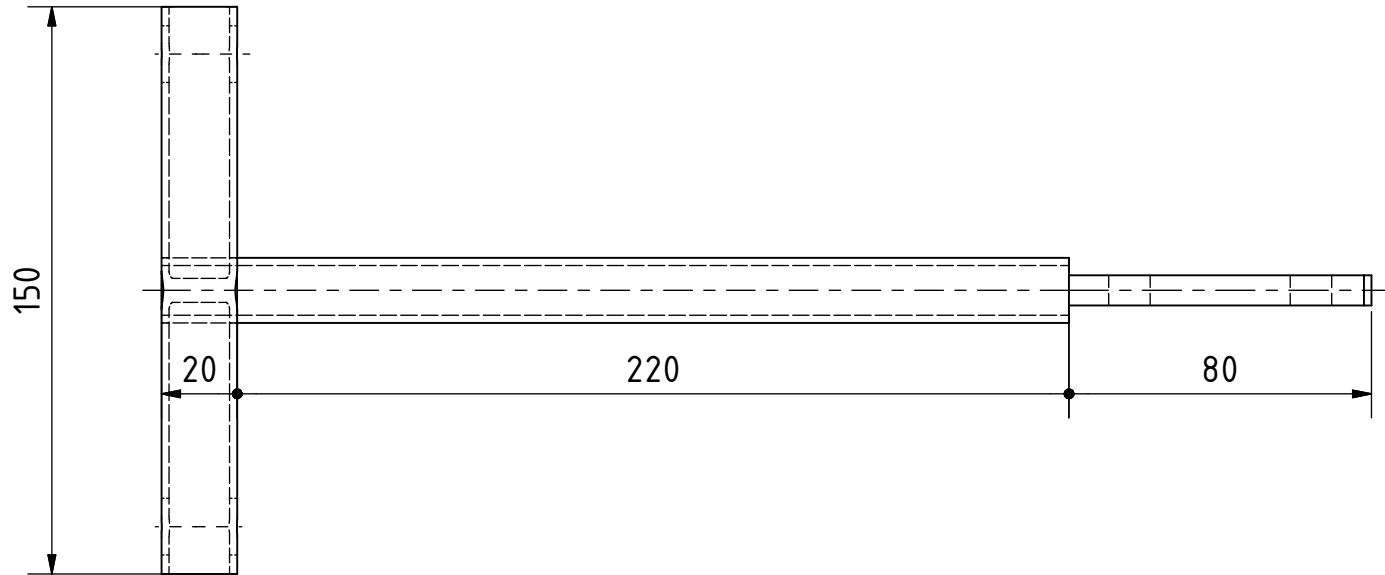


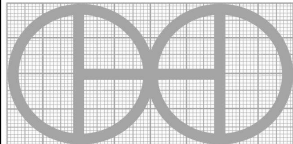
This item was adjusted to avoid interference problems

PROJECT	CREATED BY	APPROVED BY	DATE	VERSION	
Vertical Drum Hemp Harvester	A. Morillo	D. Jaeger	12-04-2024	0.05	
PART NAME	SPECIFICACIONES			CODE	
Part 2.1.18	Steel 235J2			2.1.18	
DEVELOPED BY	REDESIGNED BY	FILENAME		QTY	
Hanfasser		2.1.18.ipt		4	
		LICENSE	DOC. TYPE	SCALE	SHEET
		CC-BY-SA 4.0	Part	2 : 3	99 /147

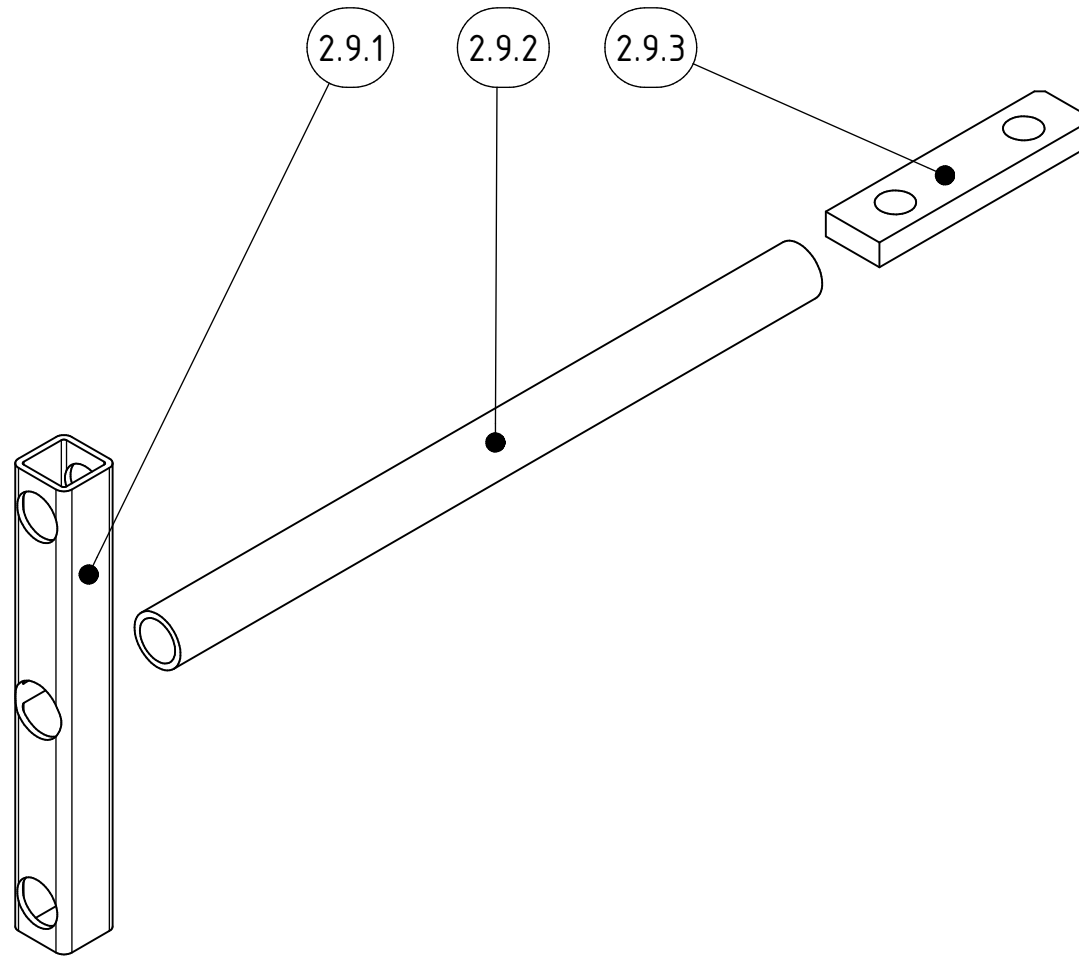


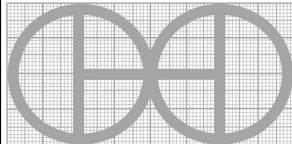
PROJECT	CREATED BY	APPROVED BY	DATE	VERSION	
Vertical Drum Hemp Harvester	A. Morillo	D. Jaeger	12-04-2024	0.05	
PART NAME	SPECIFICACIONES			CODE	
Axle for drum mounting diam. 40	Steel 235J2			2.6.0	
DEVELOPED BY	REDESIGNED BY	FILENAME		QTY	
Hanfasser		2.6.ipt		2	
		LICENSE	DOC. TYPE	SCALE	SHEET
		CC-BY-SA 4.0	Part	1 : 2	100 /147



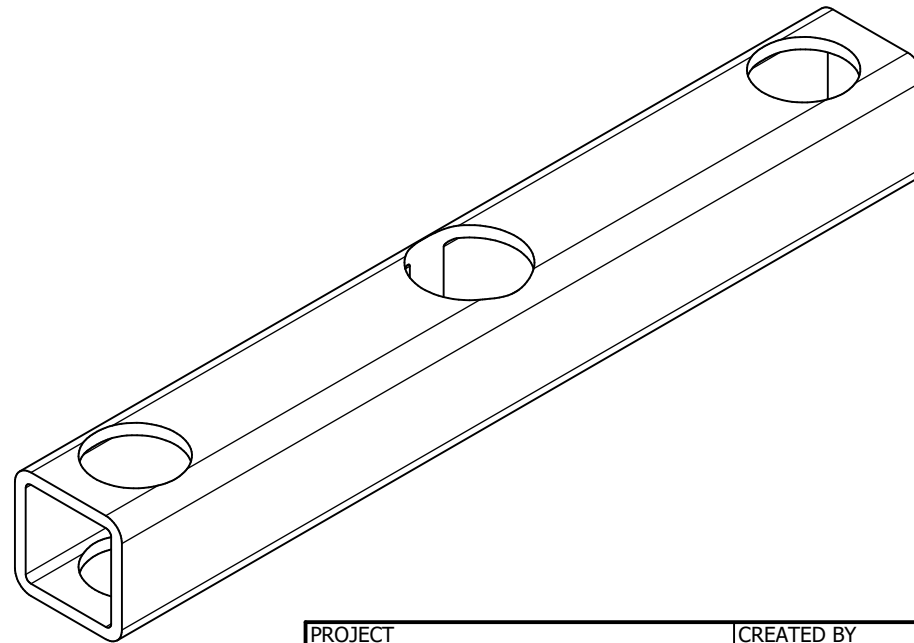
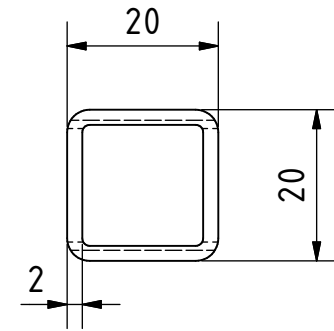
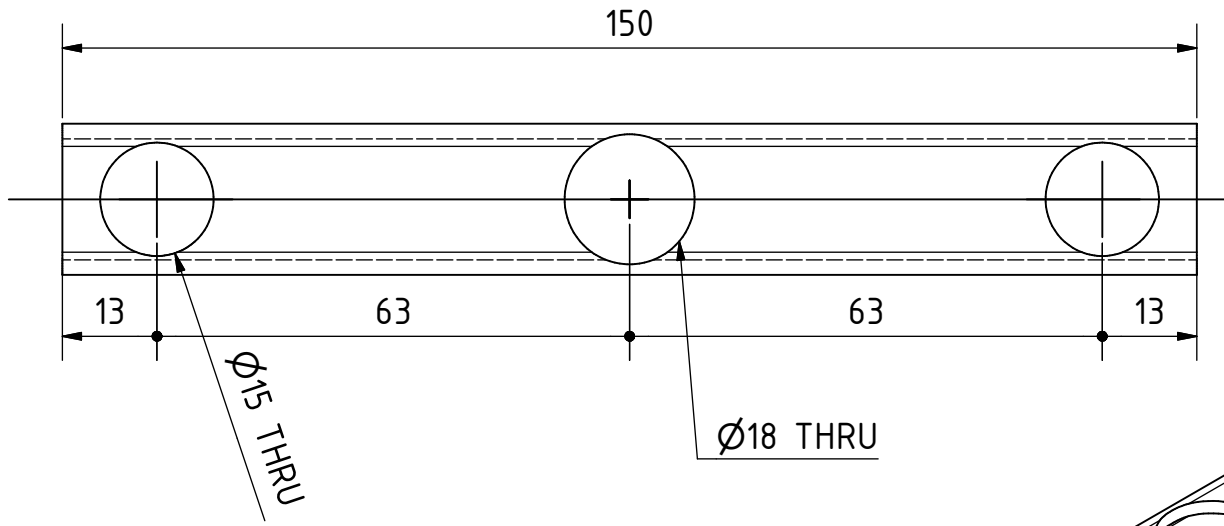
PROJECT	CREATED BY	APPROVED BY	DATE	VERSION
Vertical Drum Hemp Harvester	A. Morillo	D. Jaeger	12-04-2024	0.05
PART NAME	SPECIFICACIONES			CODE
Tine fork				2.9.0
DEVELOPED BY	REDESIGNED BY	FILENAME		QTY
		2.9.iam		48
Hanfasser		LICENSE	DOC. TYPE	SCALE
		CC-BY-SA 4.0	Assembly	1 : 2
				SHEET
				101 /147

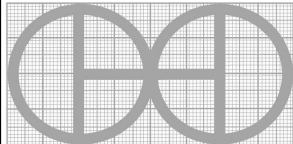
OHO e.V.

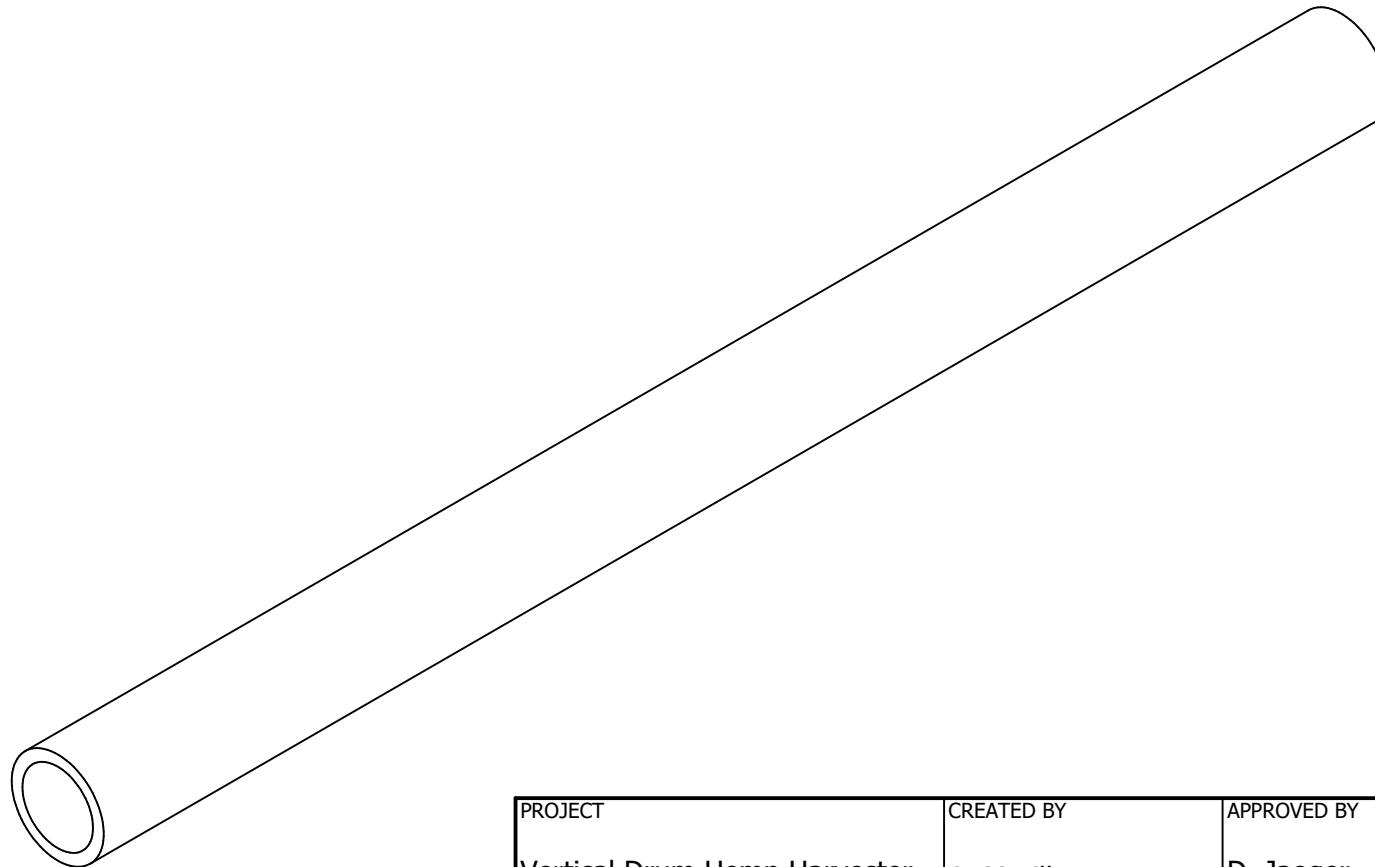
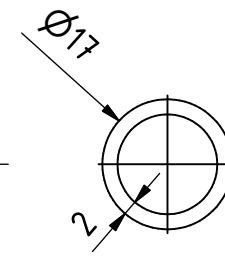
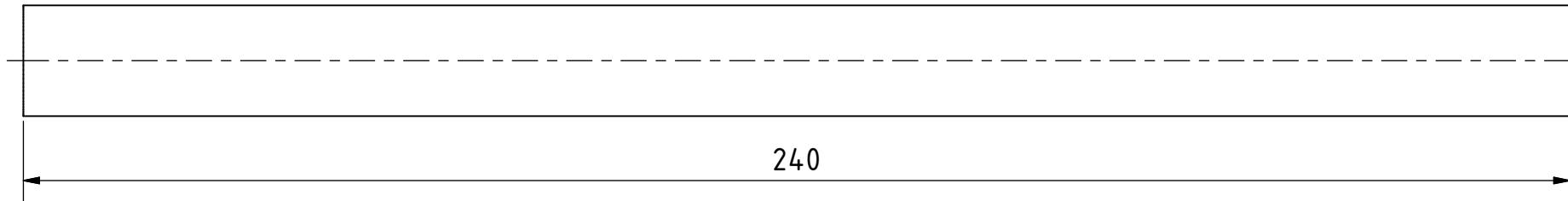


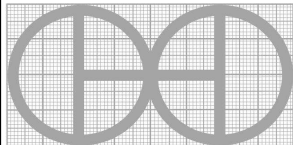
PROJECT	CREATED BY	APPROVED BY	DATE	VERSION
Vertical Drum Hemp Harvester	A. Morillo	D. Jaeger	12-04-2024	0.05
PART NAME	SPECIFICACIONES			CODE
Tine fork				2.9.0
DEVELOPED BY	REDESIGNED BY	FILENAME		QTY
		2.9.ipn		48
Hanfasser		LICENSE	DOC. TYPE	SHEET
		CC-BY-SA 4.0	Assembly	102 /147
		SCALE	1 : 2	

OHO e.V.

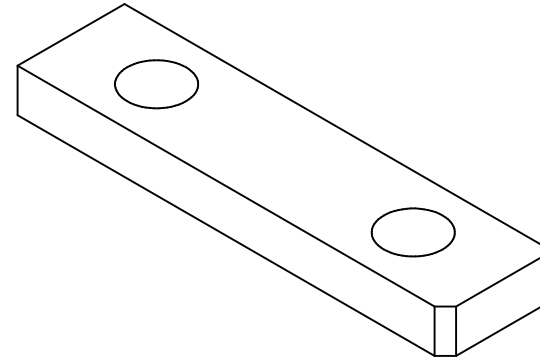
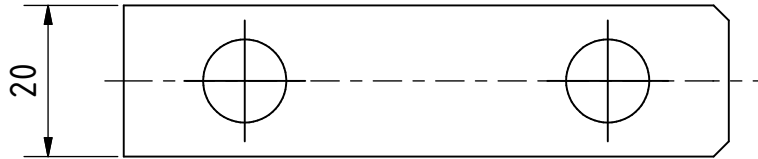
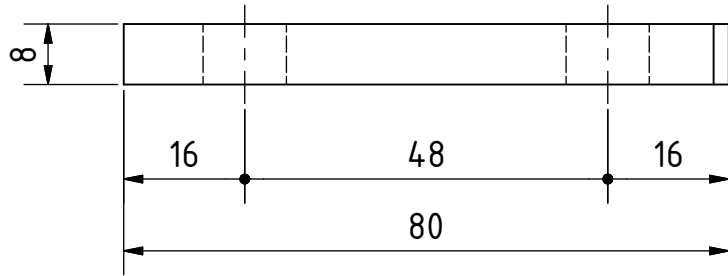


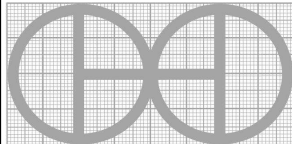
PROJECT	CREATED BY	APPROVED BY	DATE	VERSION
Vertical Drum Hemp Harvester	A. Morillo	D. Jaeger	12-04-2024	0.05
PART NAME	SPECIFICACIONES			CODE
Part 2.9.1	Steel 235J2			2.9.1
DEVELOPED BY	REDESIGNED BY	FILENAME		QTY
		2.9.1.ipt		48
Hanfasser		LICENSE	DOC. TYPE	SCALE
		CC-BY-SA 4.0	Part	1 : 1
				SHEET
				103 /147

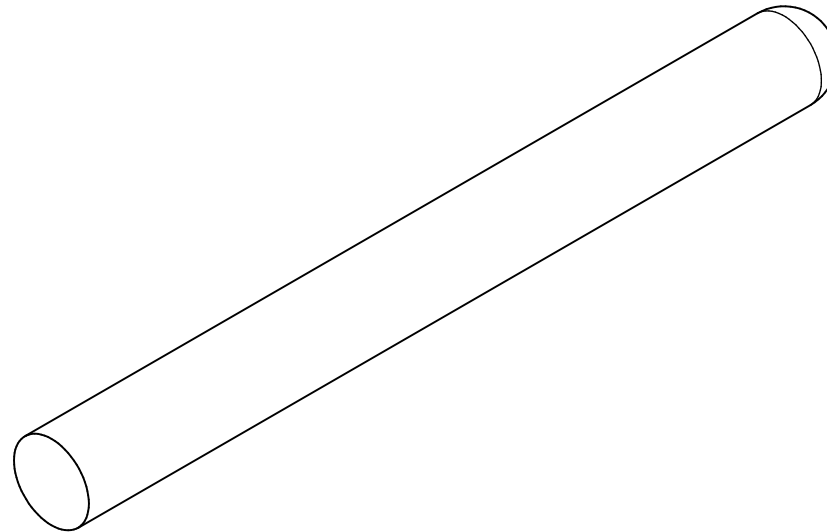
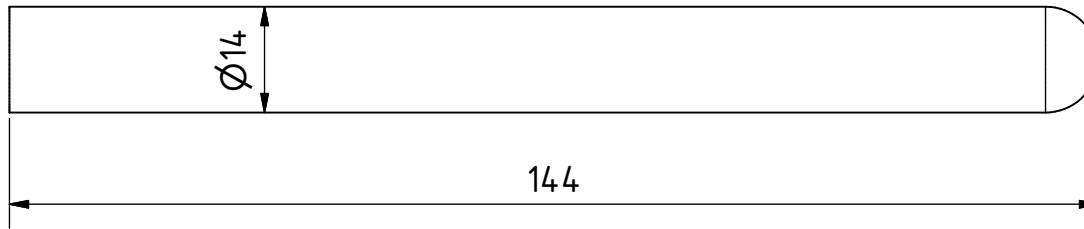


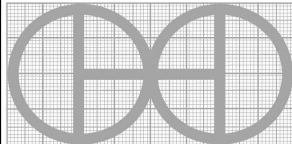
PROJECT	CREATED BY	APPROVED BY	DATE	VERSION	
Vertical Drum Hemp Harvester	A. Morillo	D. Jaeger	12-04-2024	0.05	
PART NAME	SPECIFICACIONES			CODE	
Part 2.9.2	Steel 235J2			2.9.2	
DEVELOPED BY	REDESIGNED BY	FILENAME		QTY	
Hanfasser		2.9.2.ipt		48	
		LICENSE	DOC. TYPE	SCALE	SHEET
		CC-BY-SA 4.0	Part	1 : 1	104 /147

OHO e.V.

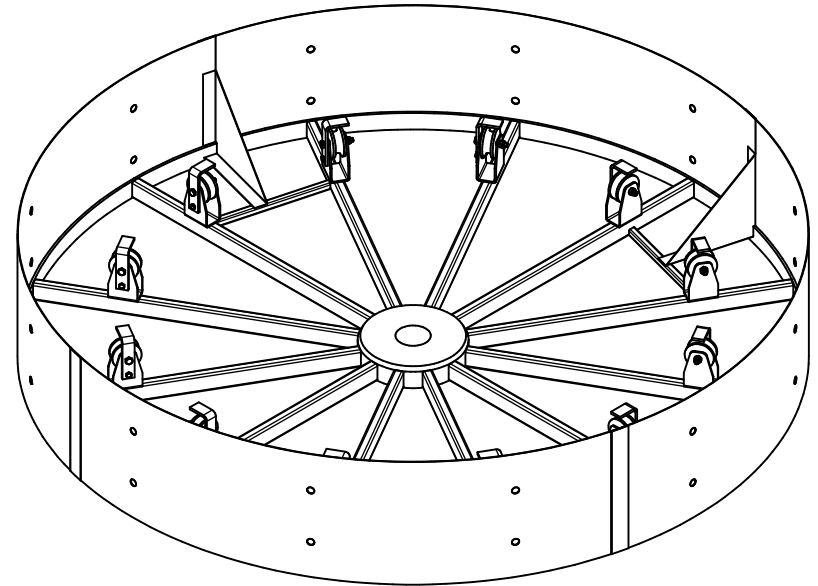
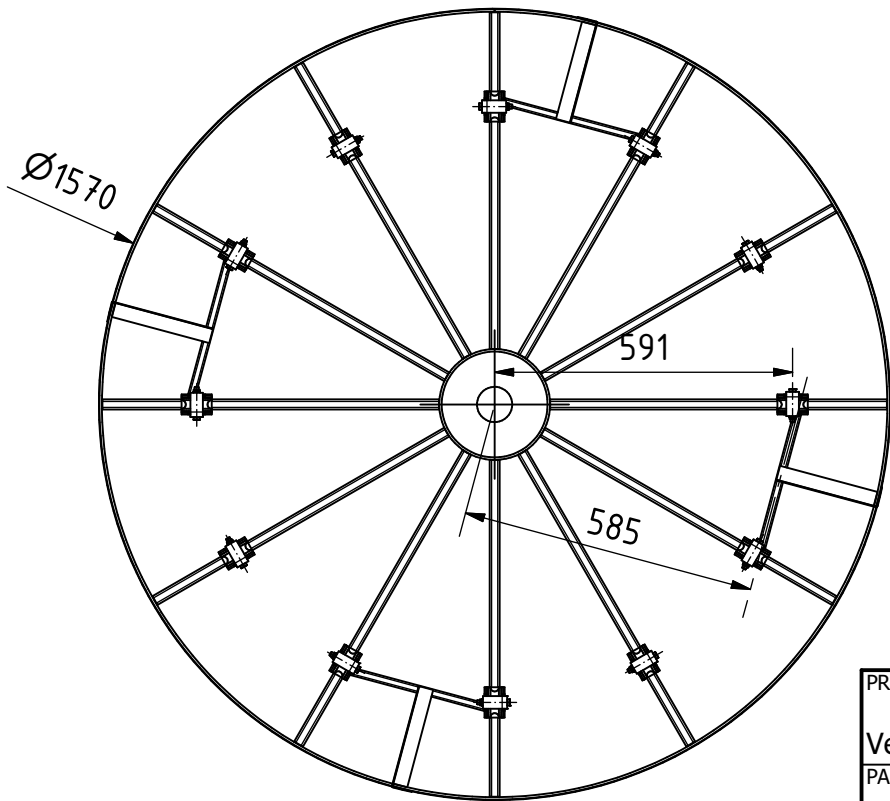
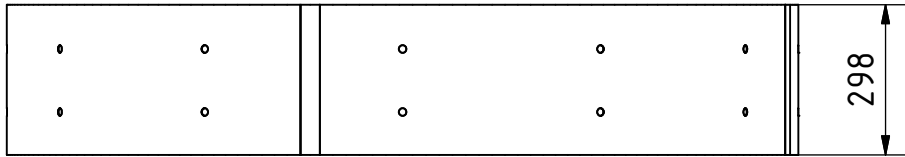


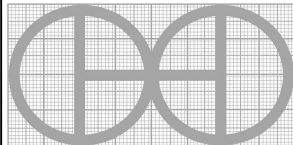
PROJECT	CREATED BY	APPROVED BY	DATE	VERSION	
Vertical Drum Hemp Harvester	A. Morillo	D. Jaeger	12-04-2024	0.05	
PART NAME	SPECIFICACIONES			CODE	
Part 2.9.3	Steel 235J2			2.9.3	
DEVELOPED BY	REDESIGNED BY	FILENAME		QTY	
Hanfasser		2.9.3.ipt		48	
		LICENSE	DOC. TYPE	SCALE	SHEET
		CC-BY-SA 4.0	Part	1 : 1	105 /147

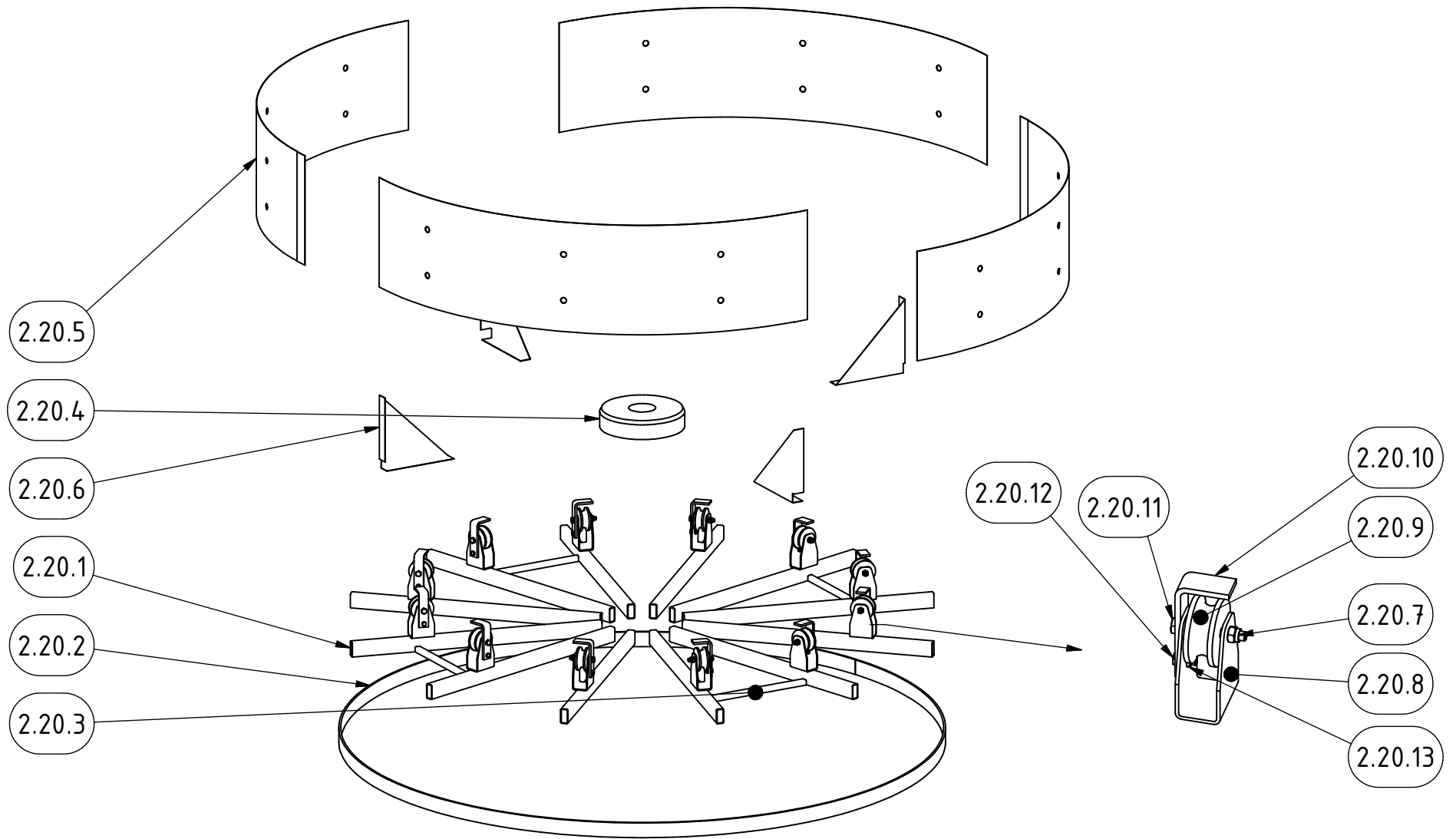


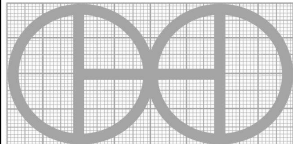
PROJECT	CREATED BY	APPROVED BY	DATE	VERSION	
Vertical Drum Hemp Harvester	A. Morillo	D. Jaeger	12-04-2024	0.05	
PART NAME	SPECIFICACIONES			CODE	
Tines	D: 14mm, L: 144mm, Steel 235J2			2.11.0	
DEVELOPED BY	REDESIGNED BY	FILENAME		QTY	
Hanfasser		2.11.ipt		96	
		LICENSE	DOC. TYPE	SCALE	SHEET
		CC-BY-SA 4.0	Part	1 : 1	106 /147

OHO e.V.

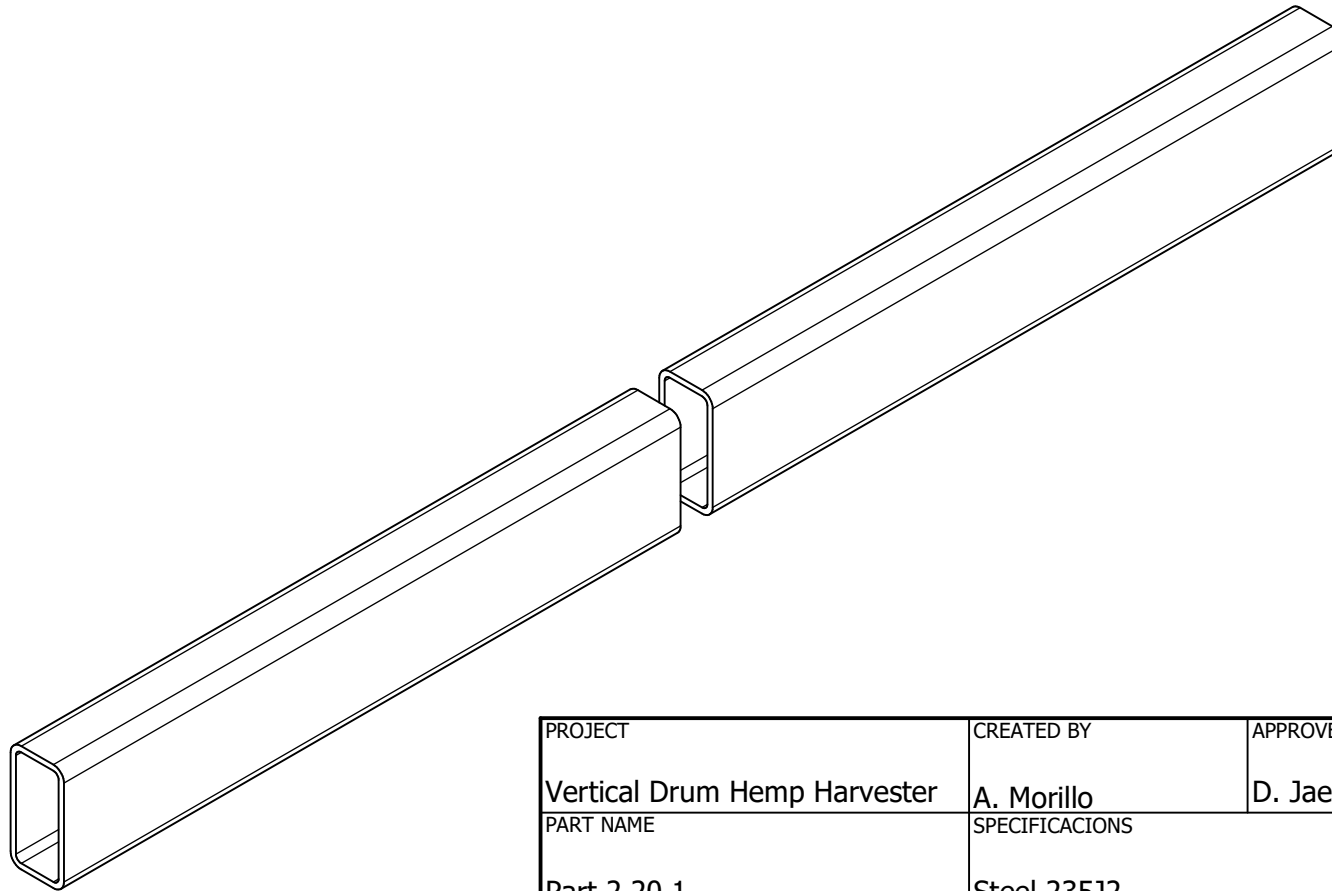
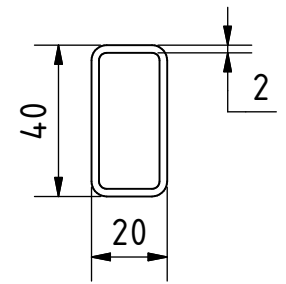
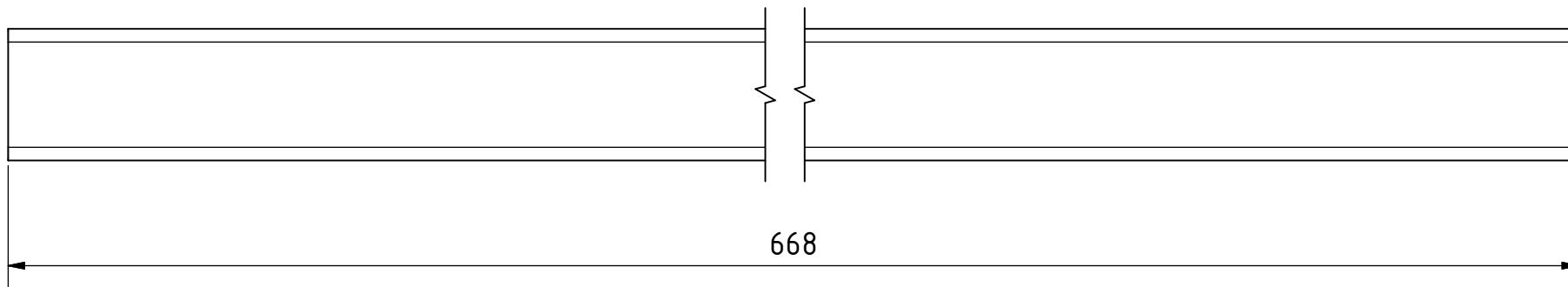


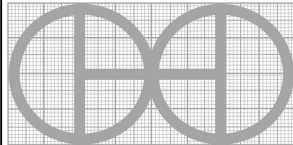
PROJECT	CREATED BY	APPROVED BY	DATE	VERSION
Vertical Drum Hemp Harvester	A. Morillo	D. Jaeger	12-04-2024	0.05
PART NAME	SPECIFICACIONES			CODE
Feed drum_center cpl				2.20.0
DEVELOPED BY	REDESIGNED BY	FILENAME	QTY	
		2.20.iam	2	
		LICENSE	DOC. TYPE	SCALE
Hanfasser		CC-BY-SA 4.0	Assembly	1 : 15
				SHEET
				107 /147



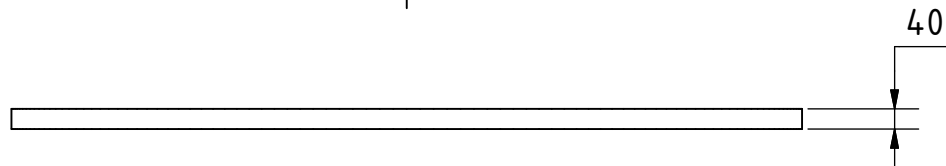
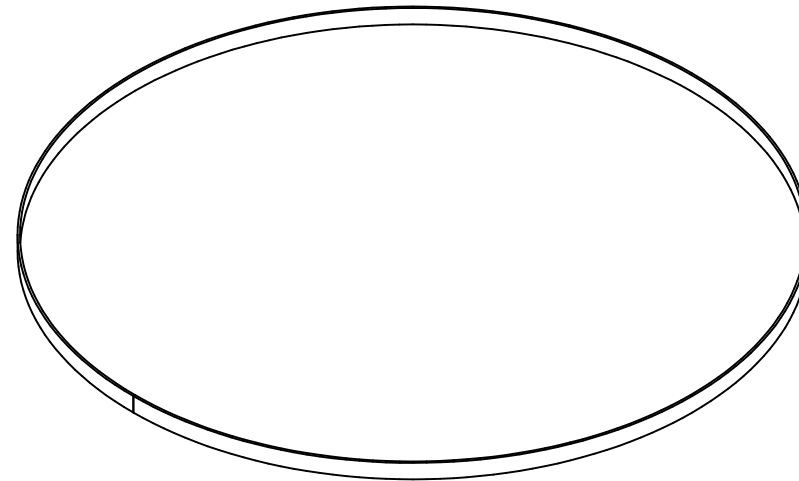
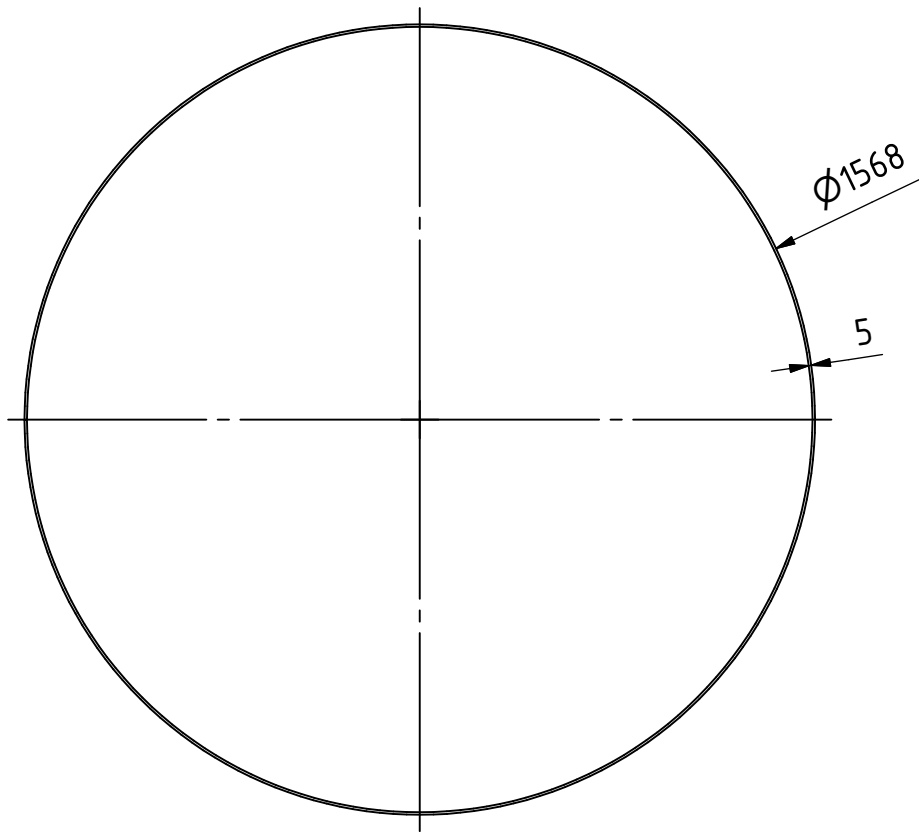
PROJECT	CREATED BY	APPROVED BY	DATE	VERSION
Vertical Drum Hemp Harvester	A. Morillo	D. Jaeger	12-04-2024	0.05
PART NAME	SPECIFICACIONES			CODE
Feed drum_center cpl				2.20.0
DEVELOPED BY	REDESIGNED BY	FILENAME		QTY
		2.20.ipn		2
Hanfasser		LICENSE	DOC. TYPE	SHEET
		CC-BY-SA 4.0	Assembly	108 /147

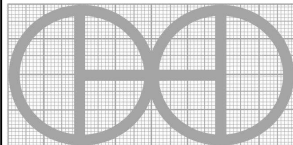
OHO e.V.



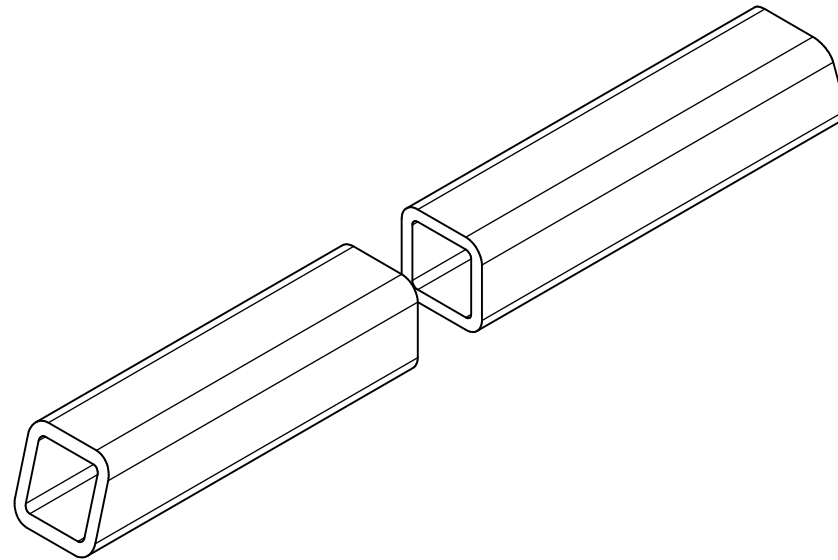
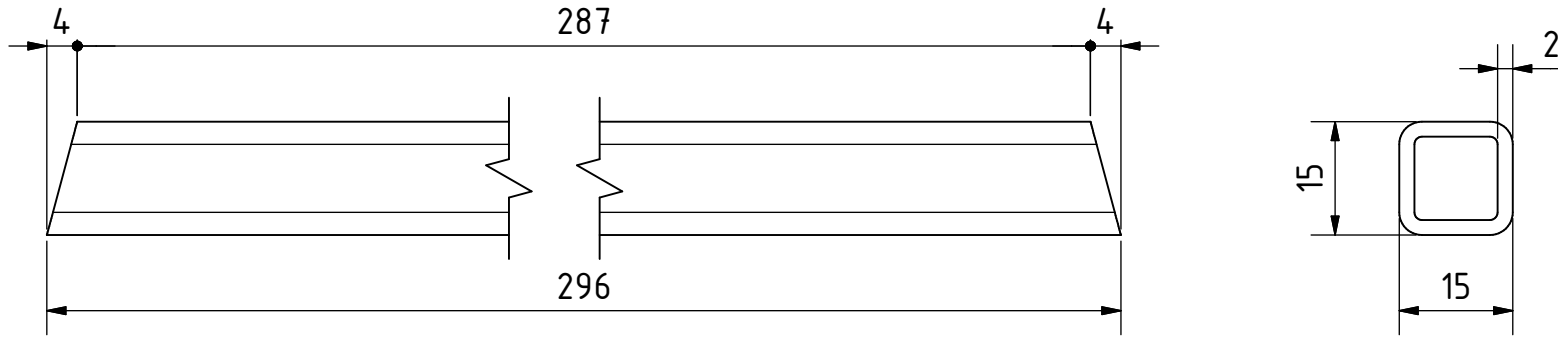
PROJECT	CREATED BY	APPROVED BY	DATE	VERSION	
Vertical Drum Hemp Harvester	A. Morillo	D. Jaeger	12-04-2024	0.05	
PART NAME	SPECIFICACIONES			CODE	
Part 2.20.1	Steel 235J2			2.20.1	
DEVELOPED BY	REDESIGNED BY	FILENAME		QTY	
Hanfasser		2.20.1.ipt		24	
		LICENSE	DOC. TYPE	SCALE	SHEET
		CC-BY-SA 4.0	Part	1 : 2	109 /147

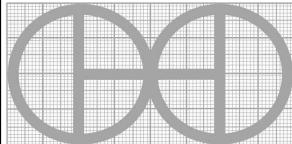
OHO e.V.

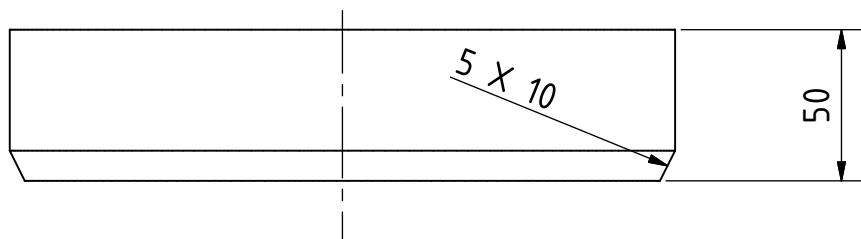
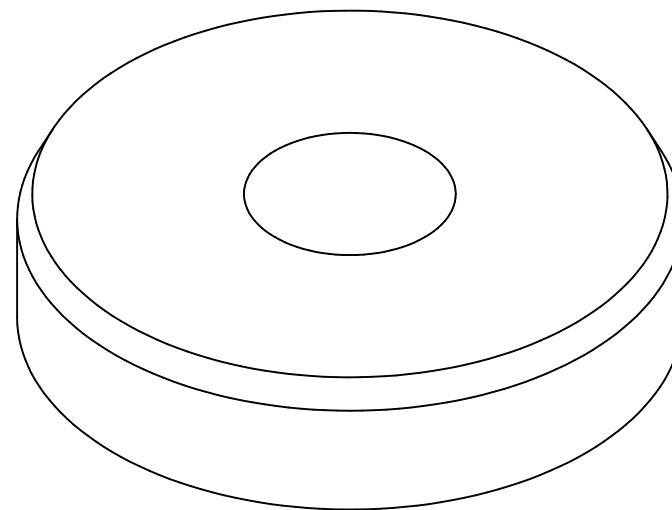
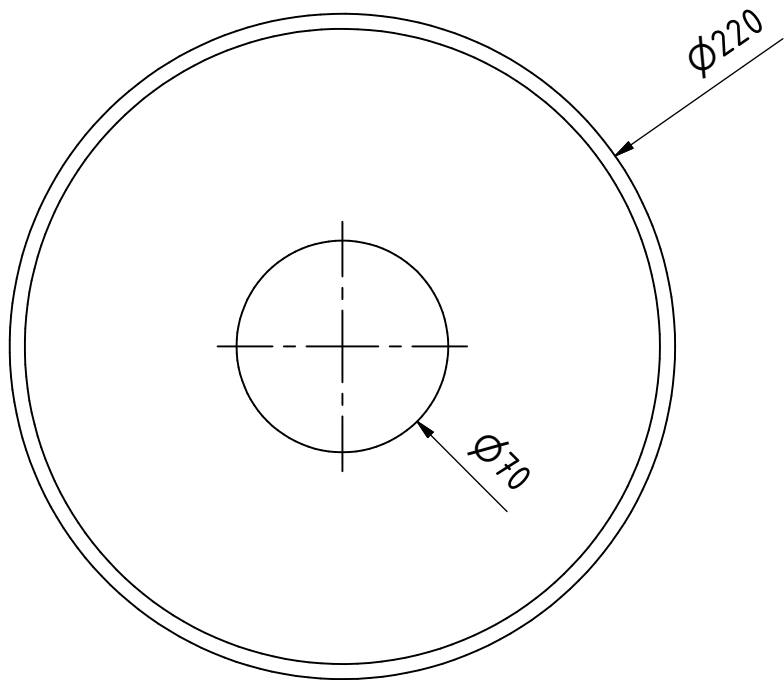


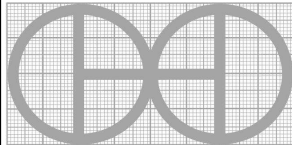
PROJECT	CREATED BY	APPROVED BY	DATE	VERSION	
Vertical Drum Hemp Harvester	A. Morillo	D. Jaeger	12-04-2024	0.05	
PART NAME	SPECIFICACIONES			CODE	
Part 2.20.2	Steel 235J2			2.20.2	
DEVELOPED BY	REDESIGNED BY	FILENAME		QTY	
Hanfasser		2.20.2.ipt		2	
		LICENSE	DOC. TYPE	SCALE	SHEET
		CC-BY-SA 4.0	Part	1 : 15	110 /147

OHO e.V.

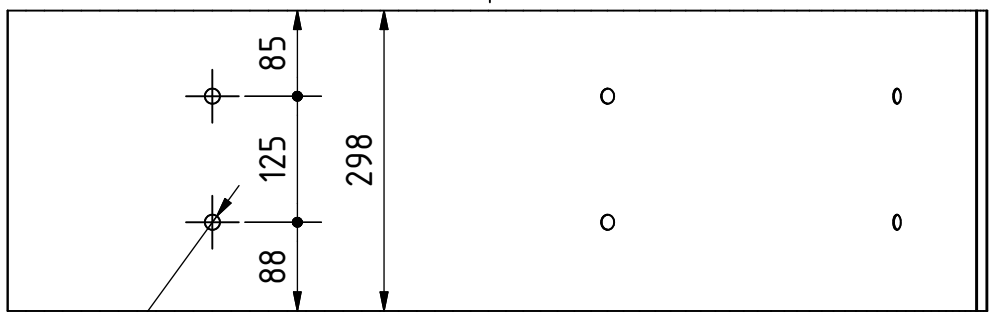
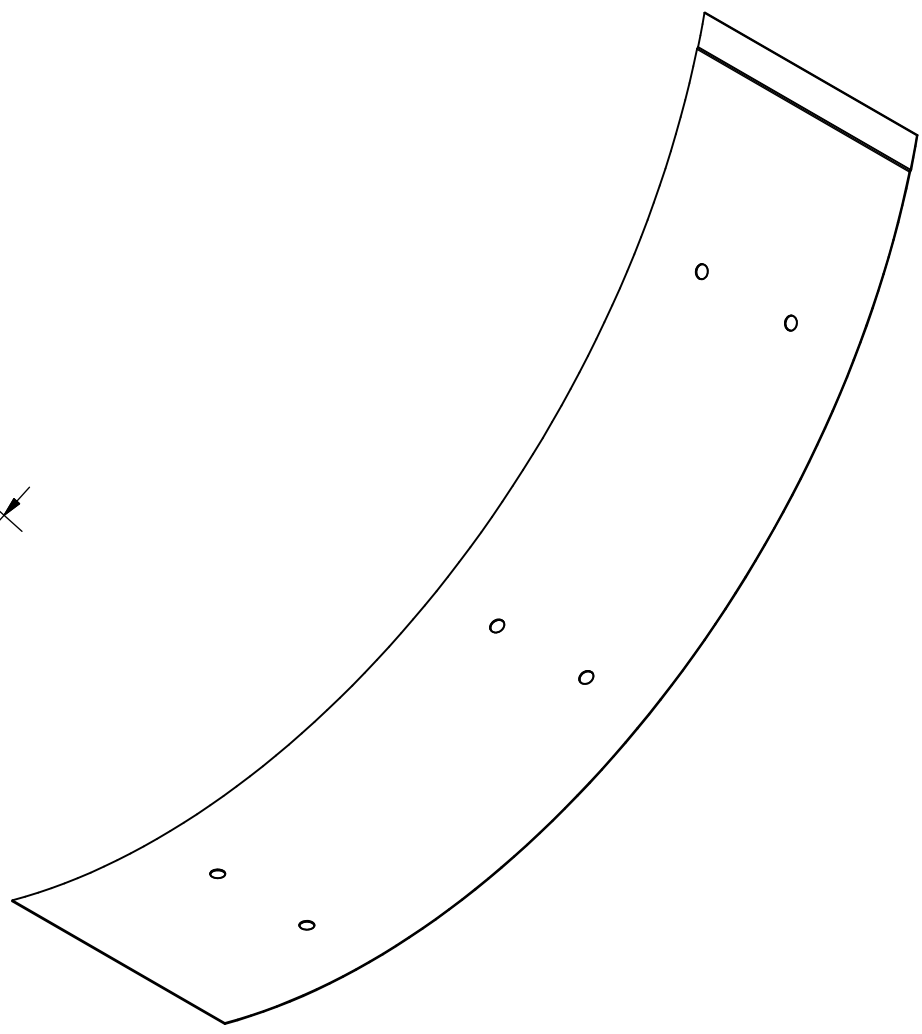
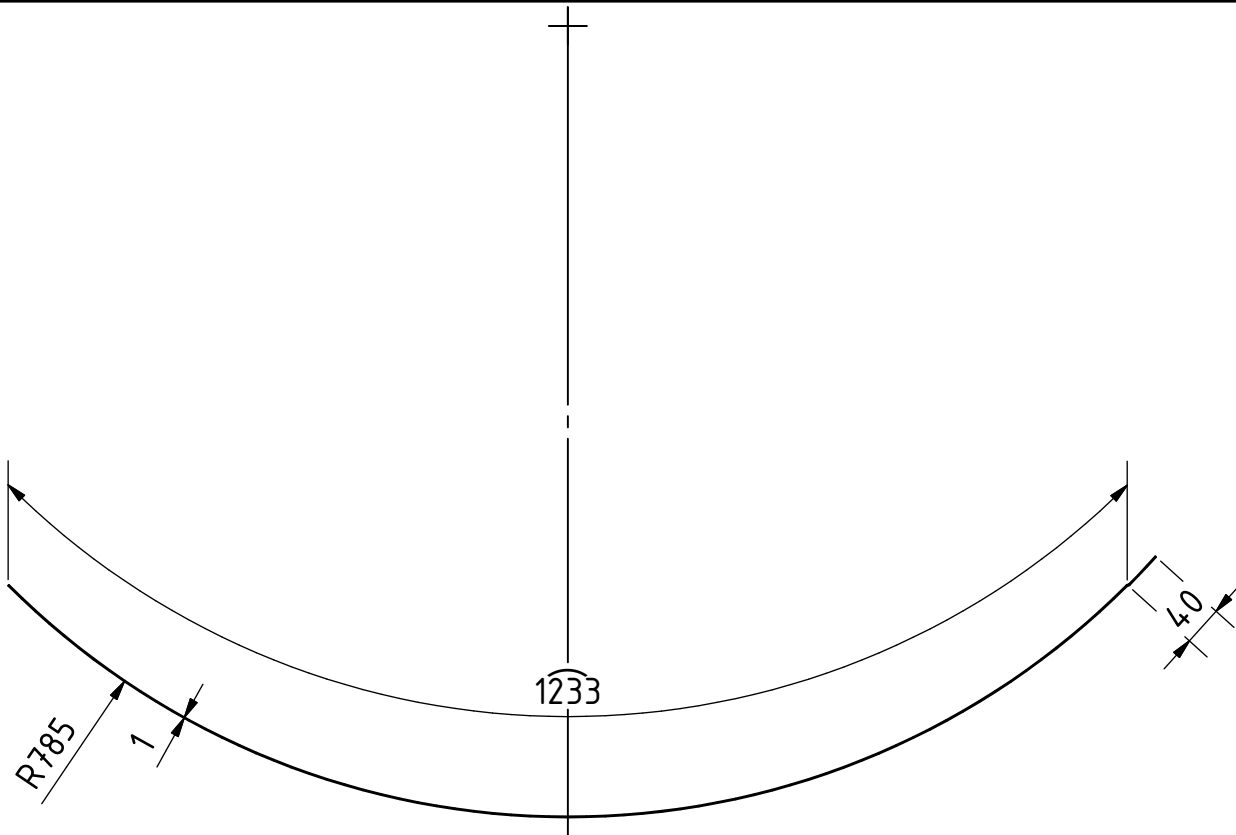


PROJECT	CREATED BY	APPROVED BY	DATE	VERSION	
Vertical Drum Hemp Harvester	A. Morillo	D. Jaeger	12-04-2024	0.05	
PART NAME	SPECIFICACIONES			CODE	
Part 2.20.3	Steel 235J2			2.20.3	
DEVELOPED BY	REDESIGNED BY	FILENAME		QTY	
Hanfasser		2.20.3.ipt		8	
		LICENSE	DOC. TYPE	SCALE	SHEET
		CC-BY-SA 4.0	Part	1 : 1	111 /147

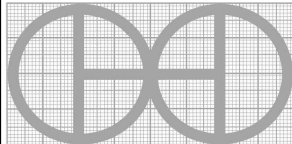


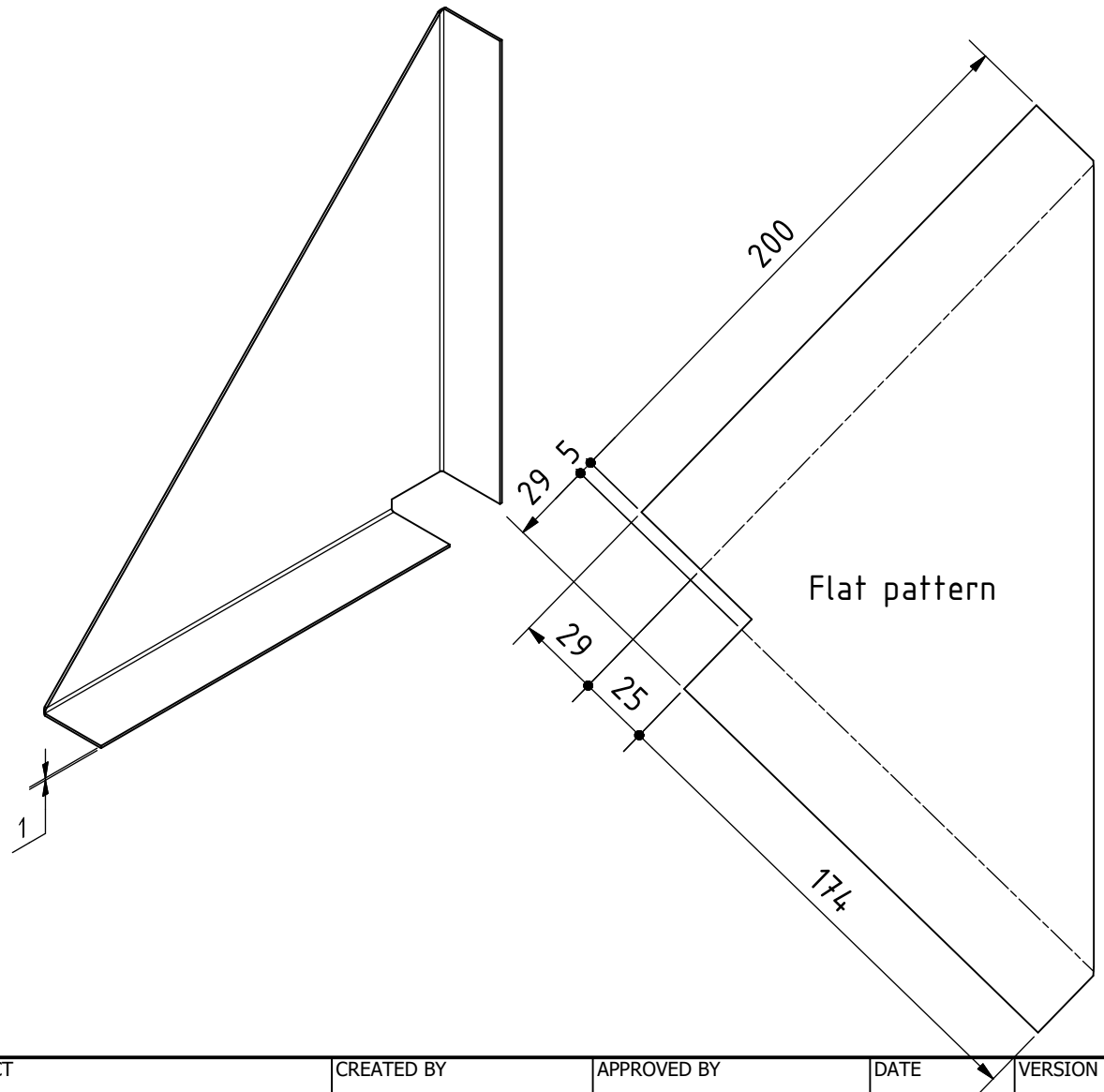
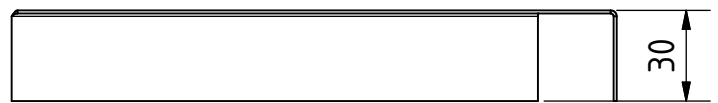
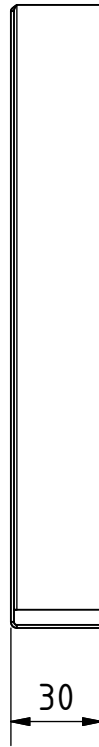
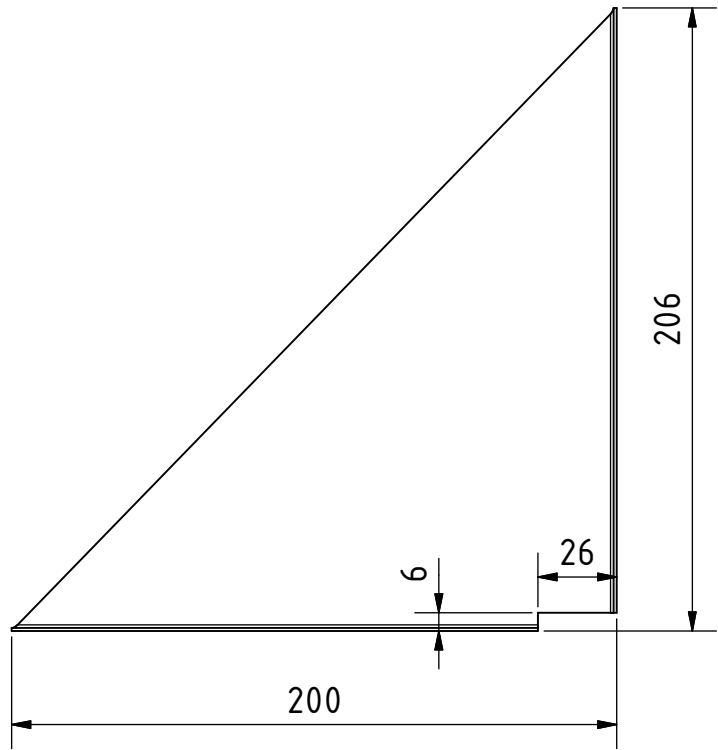
PROJECT	CREATED BY	APPROVED BY	DATE	VERSION	
Vertical Drum Hemp Harvester	A. Morillo	D. Jaeger	12-04-2024	0.05	
PART NAME	SPECIFICACIONES			CODE	
Part 2.20.4	Cast iron (*)			2.20.4	
DEVELOPED BY	REDESIGNED BY	FILENAME		QTY	
Hanfasser		2.20.4.ipt		2	
		LICENSE	DOC. TYPE	SCALE	SHEET
		CC-BY-SA 4.0	Part	2 : 5	112 /147

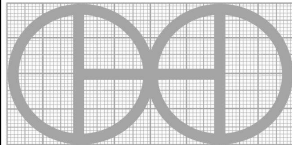
OHO e.V.



Ø15 THRU
x6

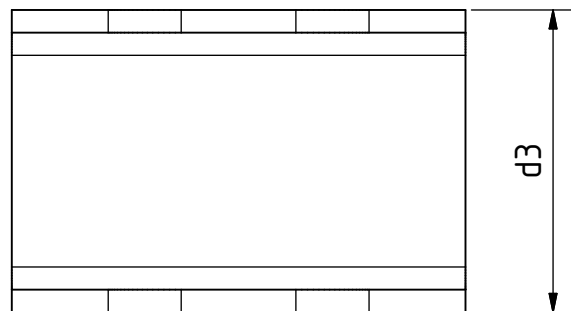
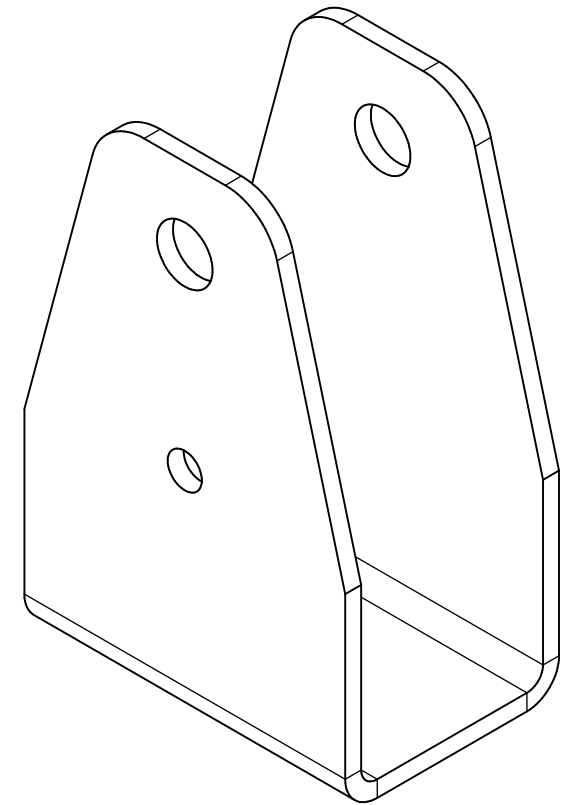
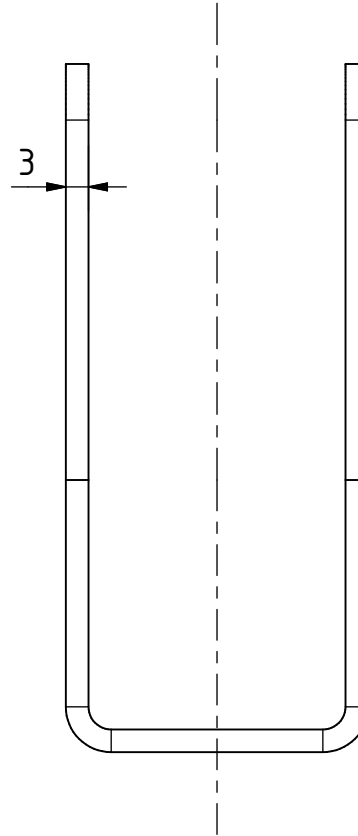
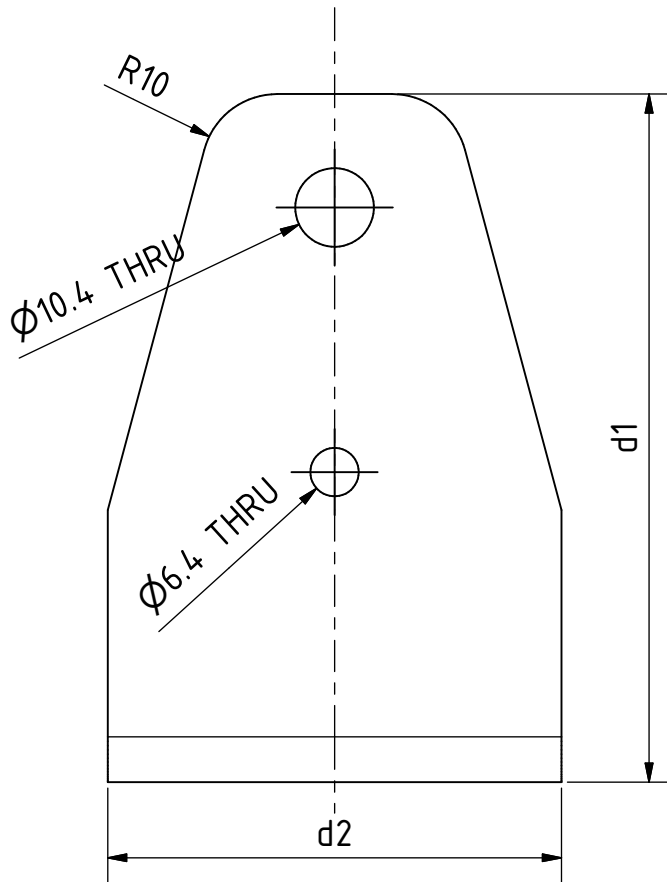
PROJECT	CREATED BY	APPROVED BY	DATE	VERSION	
Vertical Drum Hemp Harvester	A. Morillo	D. Jaeger	12-04-2024	0.05	
PART NAME	SPECIFICACIONES			CODE	
Part 2.20.5	Steel 235J2			2.20.5	
DEVELOPED BY	REDESIGNED BY	FILENAME		QTY	
Hanfasser		2.20.5.ipt		8	
		LICENSE	DOC. TYPE	SCALE	SHEET
		CC-BY-SA 4.0	Part	2 : 15	113 /147



PROJECT	CREATED BY	APPROVED BY	DATE	VERSION
Vertical Drum Hemp Harvester	A. Morillo	D. Jaeger	12-04-2024	0.05
PART NAME	SPECIFICACIONES			CODE
Part 2.20.6	Steel 235J2			2.20.6
DEVELOPED BY	REDESIGNED BY	FILENAME		QTY
		2.20.6.ipt		8
Hanfasser		LICENSE	DOC. TYPE	SHEET
		CC-BY-SA 4.0	Part	114 /147

OHO e.V.

2 : 5



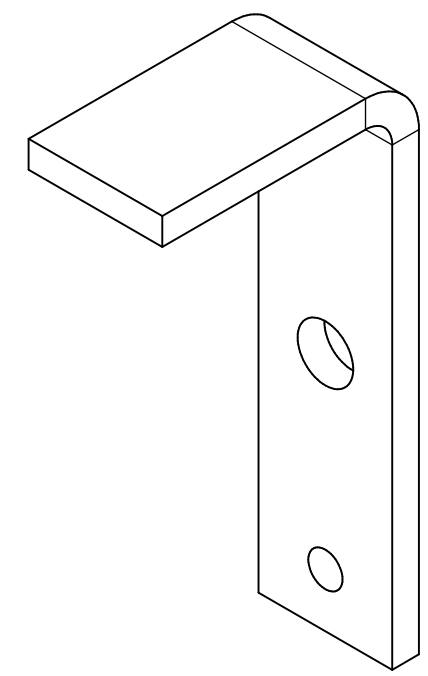
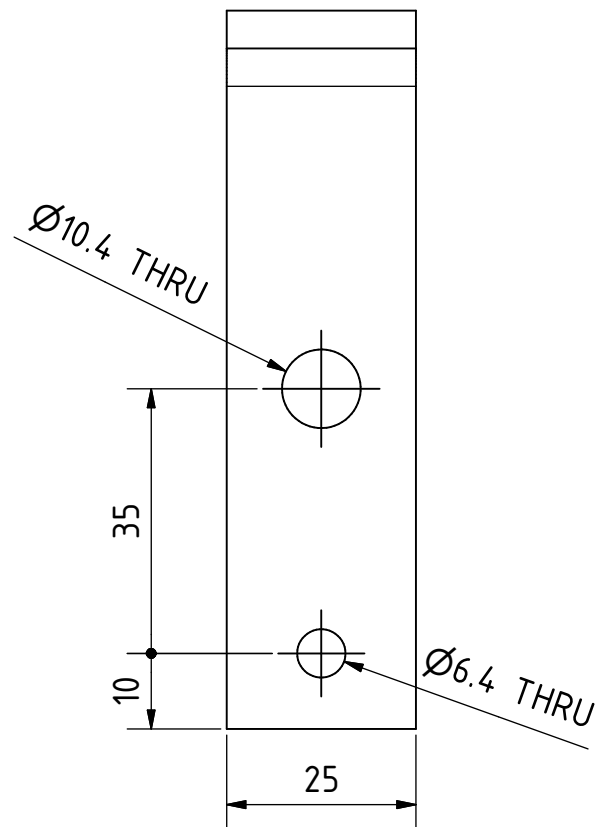
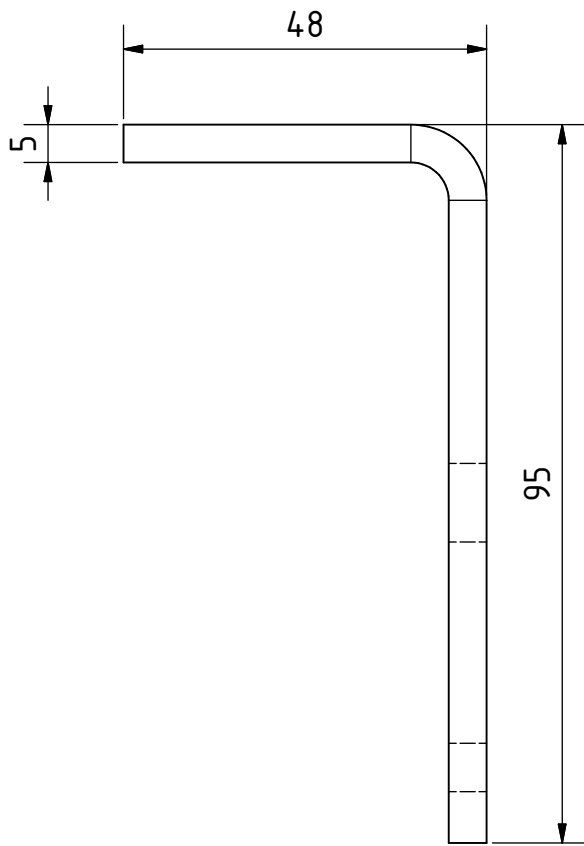
Size table			
Pos	d1	d2	d3
2.20.8_A (right)	91 mm	60 mm	40 mm
2.20.8_B (left)	97 mm	50mm	40 mm

This item was adjusted to avoid interference problems

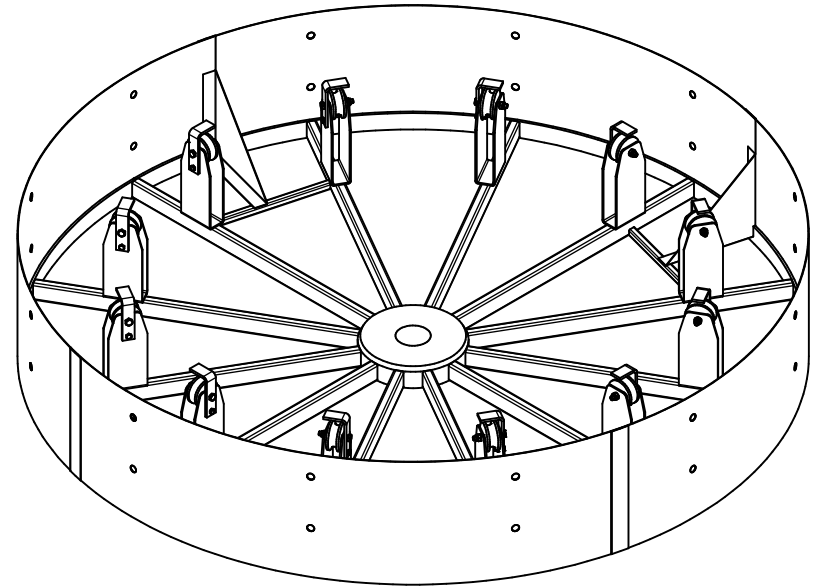
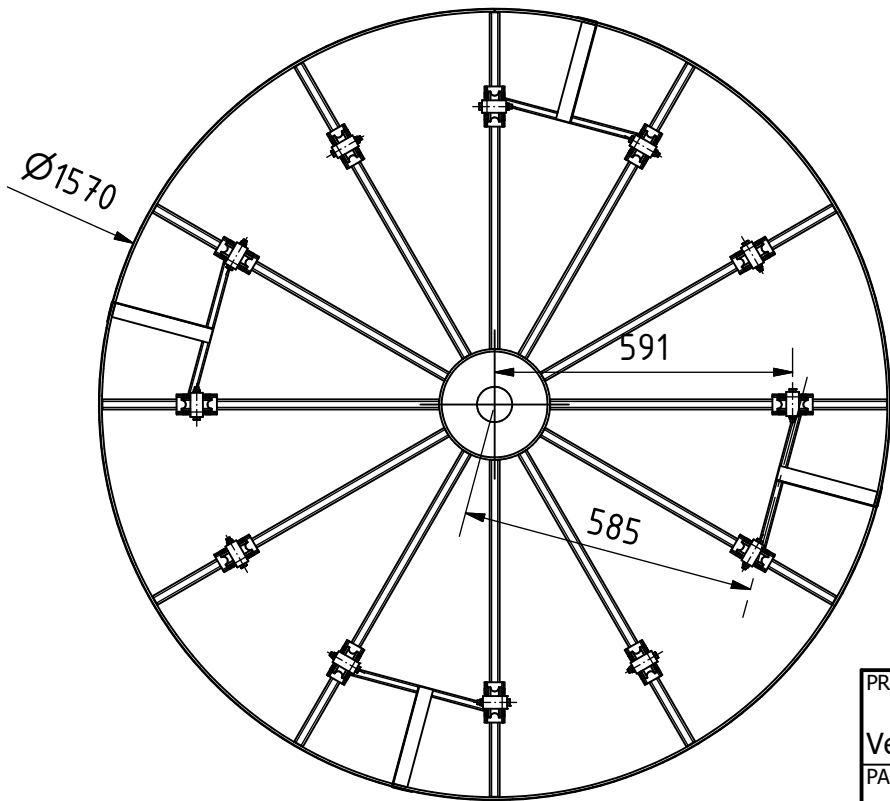
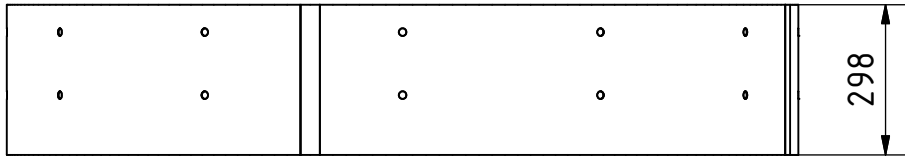
PROJECT	CREATED BY	APPROVED BY	DATE	VERSION
Vertical Drum Hemp Harvester	A. Morillo	D. Jaeger	12-04-2024	0.05
PART NAME	SPECIFICACIONES			CODE
Part 2.20.8	Steel 235J2			2.20.8
DEVELOPED BY	REDESIGNED BY	FILENAME		QTY
		2.20.8.ipt		24
Hanfasser		LICENSE	DOC. TYPE	SHEET
		CC-BY-SA 4.0	Part	115 /147

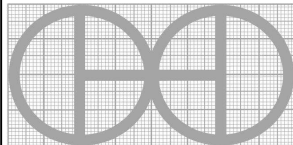
OHO e.V.

1 : 1

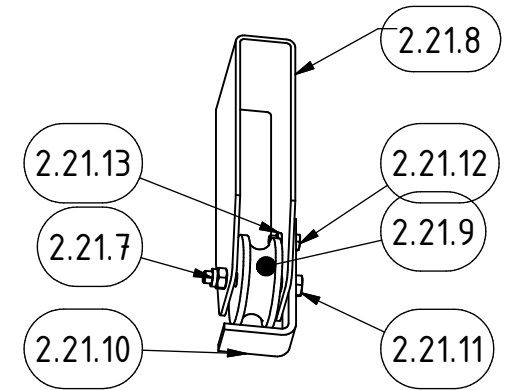
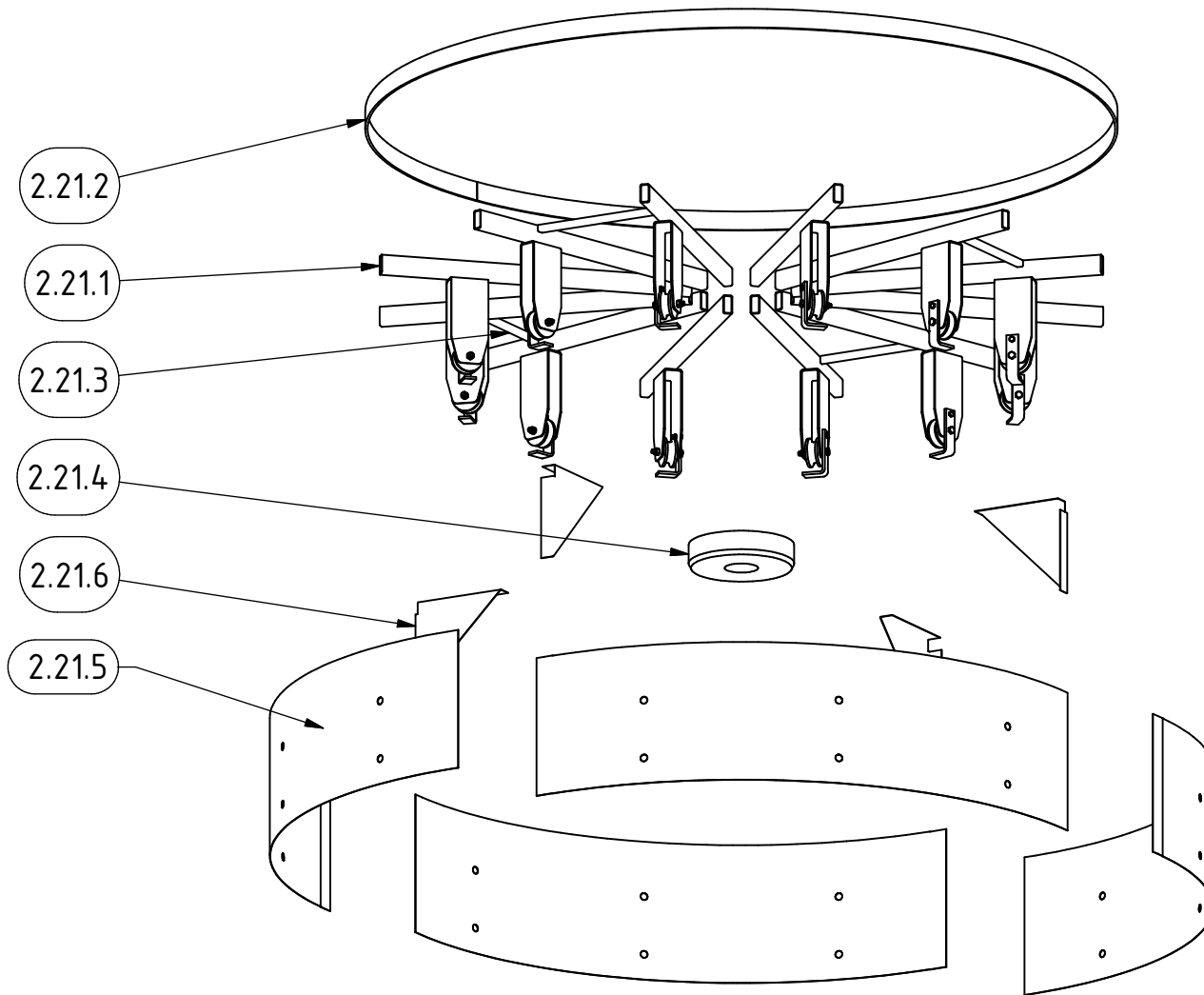


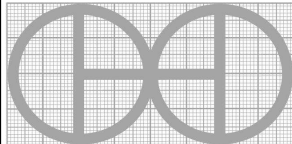
PROJECT	CREATED BY	APPROVED BY	DATE	VERSION	
Vertical Drum Hemp Harvester	A. Morillo	D. Jaeger	12-04-2024	0.05	
PART NAME	SPECIFICACIONES			CODE	
Part 2.20.10	Steel 235J2			2.20.10	
DEVELOPED BY	REDESIGNED BY	FILENAME		QTY	
Hanfasser		2.20.10.ipt		24	
		LICENSE	DOC. TYPE	SCALE	SHEET
		CC-BY-SA 4.0	Part	1 : 1	116 /147



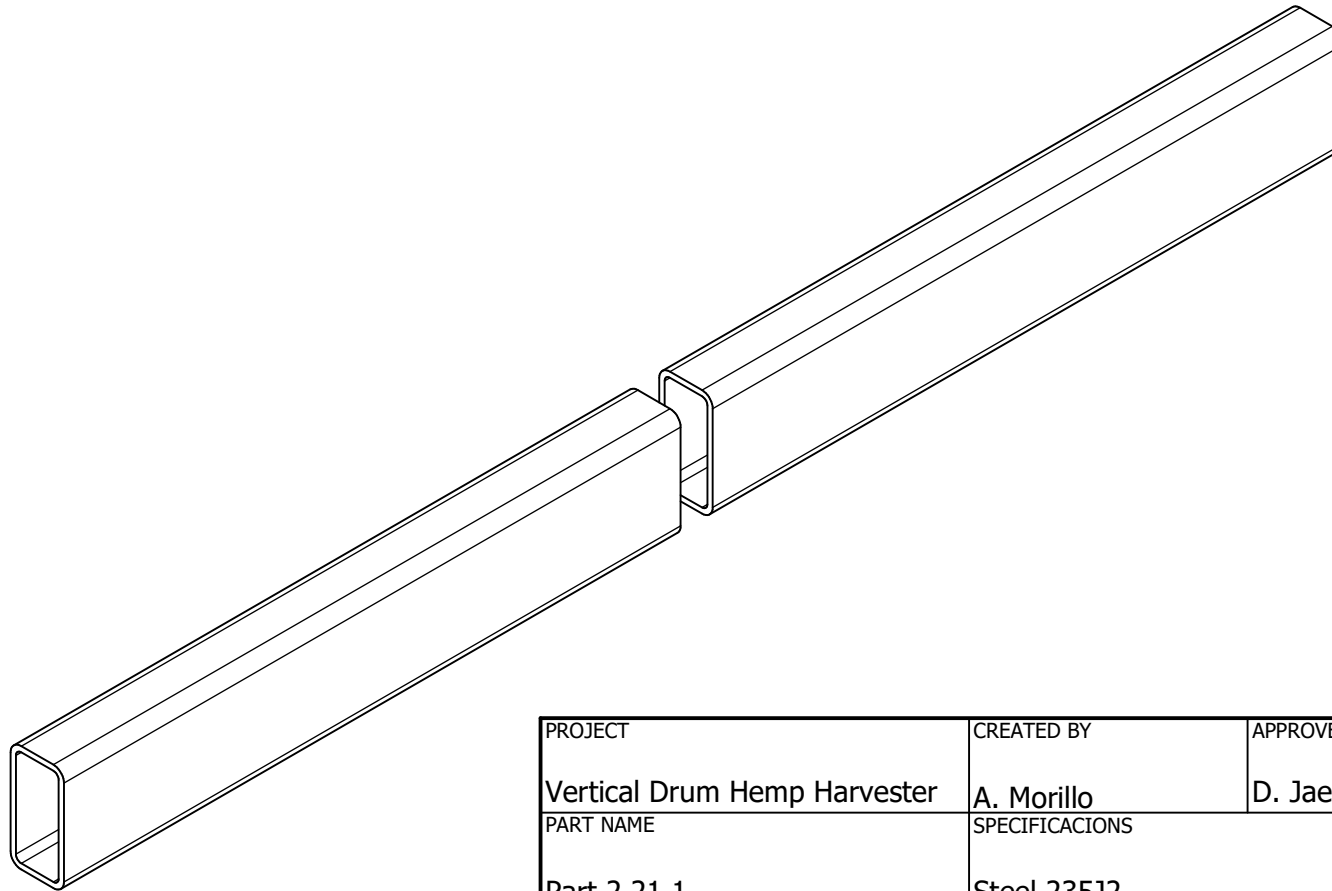
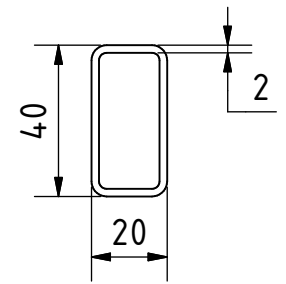
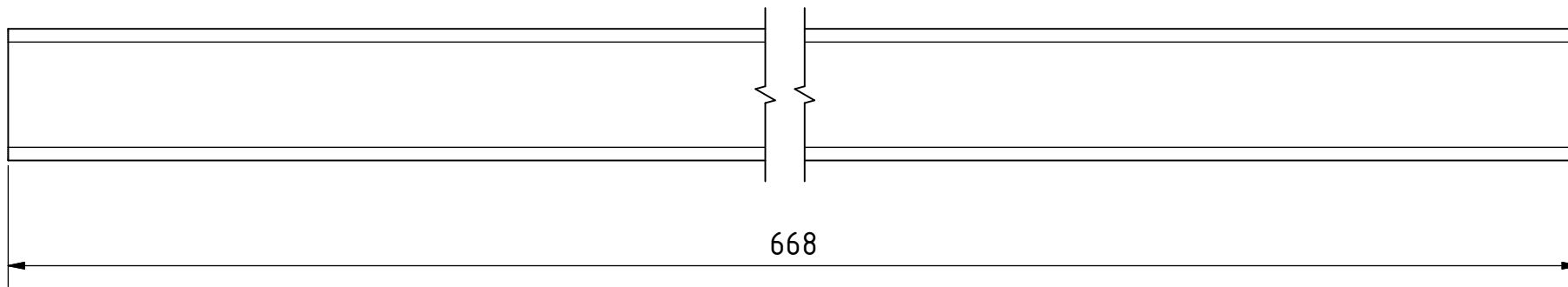
PROJECT	CREATED BY	APPROVED BY	DATE	VERSION
Vertical Drum Hemp Harvester	A. Morillo	D. Jaeger	12-04-2024	0.05
PART NAME	SPECIFICACIONES			CODE
Feed drum_top cpl				2.21.0
DEVELOPED BY	REDESIGNED BY	FILENAME	QTY	
		2.21.iam	2	
		LICENSE	DOC. TYPE	SCALE
Hanfasser		CC-BY-SA 4.0	Assembly	1 : 15
				SHEET
				117 /147

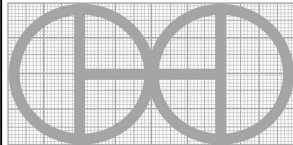
OHO e.V.



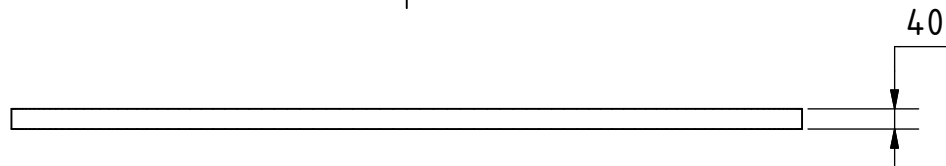
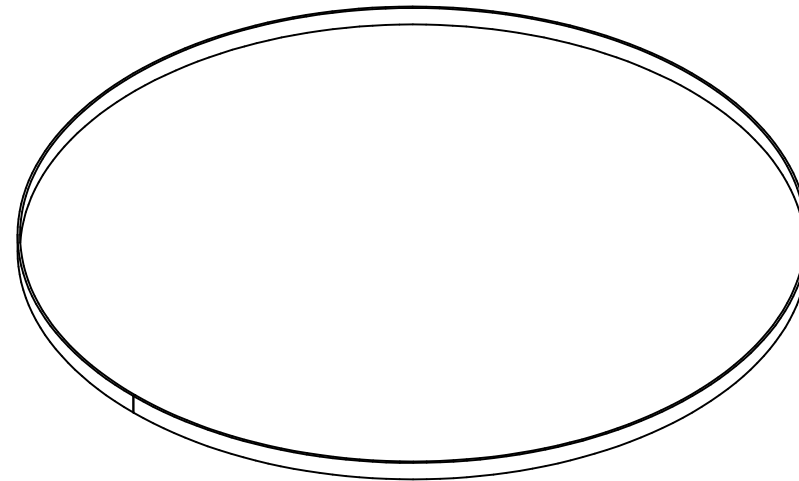
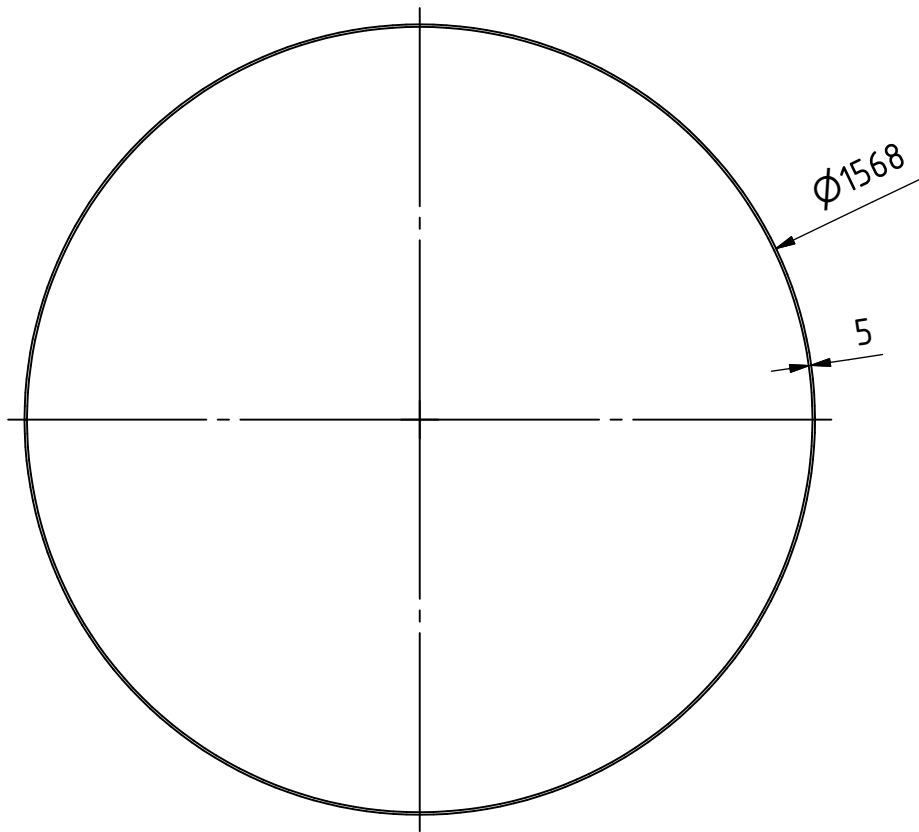
PROJECT	CREATED BY	APPROVED BY	DATE	VERSION
Vertical Drum Hemp Harvester	A. Morillo	D. Jaeger	12-04-2024	0.05
PART NAME	SPECIFICACIONES			CODE
Feed drum_top cpl				2.21.0
DEVELOPED BY	REDESIGNED BY	FILENAME	QTY	
		2.21.ipn	2	
Hanfasser		LICENSE	DOC. TYPE	SCALE SHEET
		CC-BY-SA 4.0	Assembly	1 : 15 118 /147

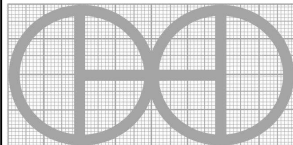
OHO e.V.



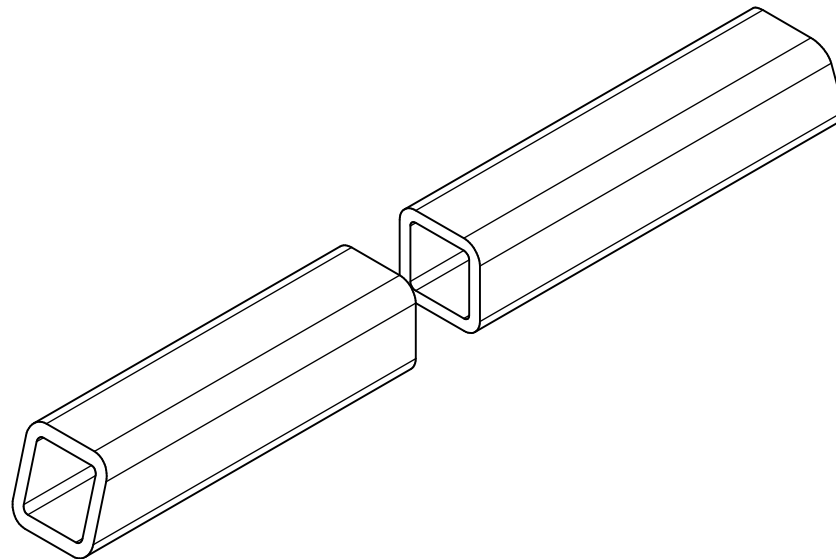
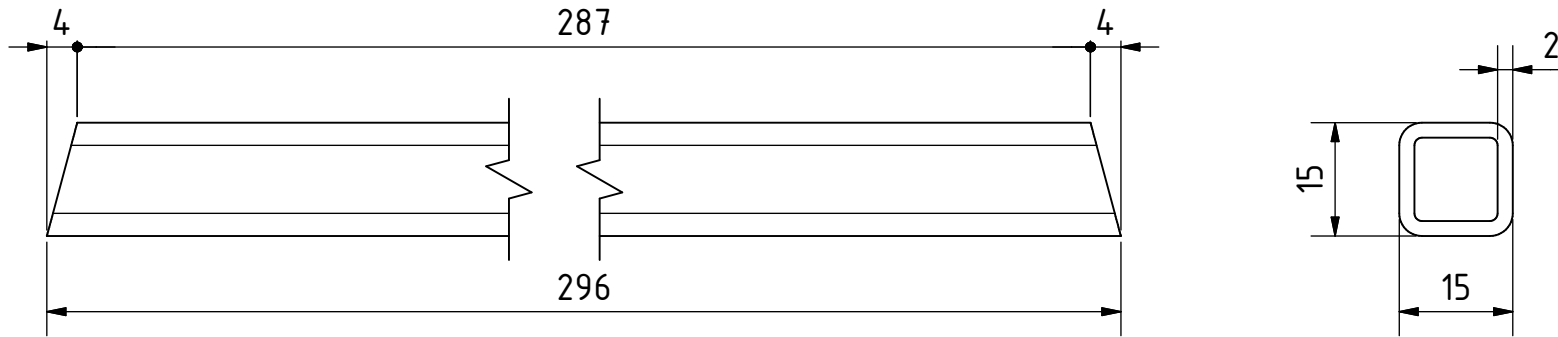
PROJECT	CREATED BY	APPROVED BY	DATE	VERSION	
Vertical Drum Hemp Harvester	A. Morillo	D. Jaeger	12-04-2024	0.05	
PART NAME	SPECIFICACIONES			CODE	
Part 2.21.1	Steel 235J2			2.21.1	
DEVELOPED BY	REDESIGNED BY	FILENAME		QTY	
Hanfasser		2.21.1.ipt		24	
		LICENSE	DOC. TYPE	SCALE	SHEET
		CC-BY-SA 4.0	Part	1 : 2	119 /147

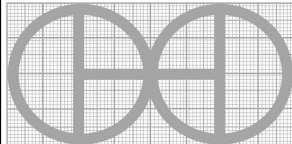
OHO e.V.

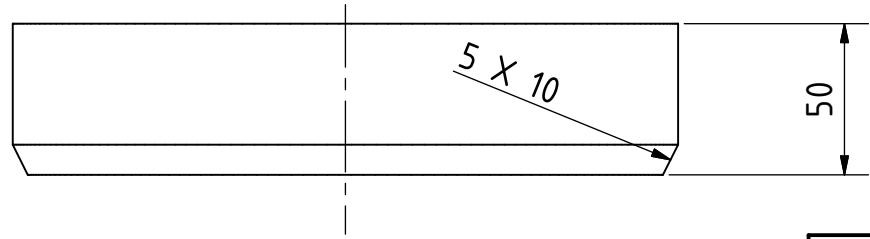
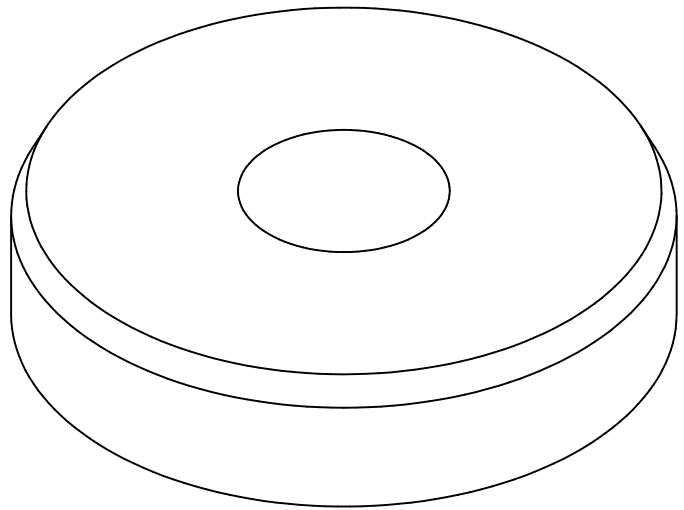
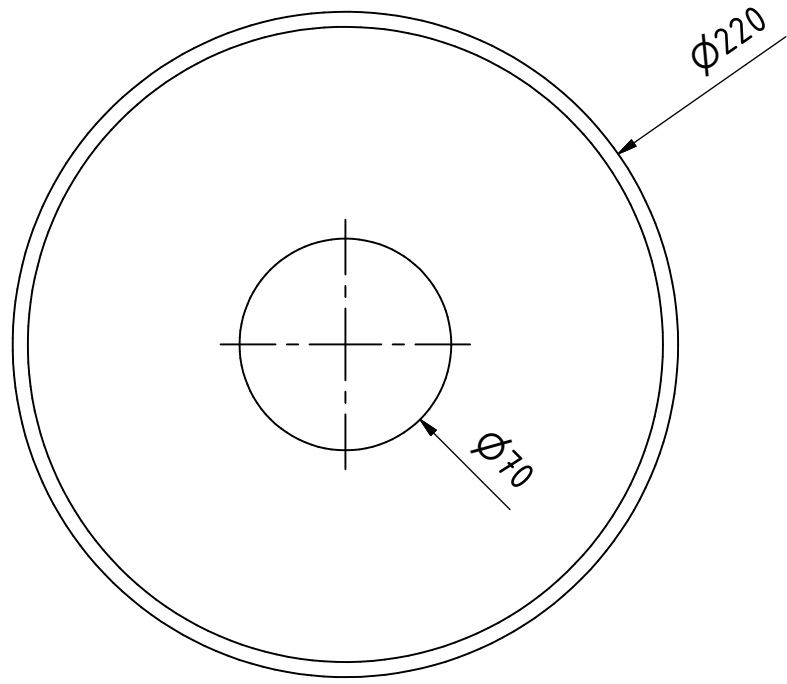


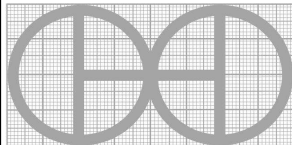
PROJECT	CREATED BY	APPROVED BY	DATE	VERSION	
Vertical Drum Hemp Harvester	A. Morillo	D. Jaeger	12-04-2024	0.05	
PART NAME	SPECIFICACIONES			CODE	
Part 2.21.2	Steel 235J2			2.21.2	
DEVELOPED BY	REDESIGNED BY	FILENAME		QTY	
Hanfasser		2.21.2.ipt		2	
		LICENSE	DOC. TYPE	SCALE	SHEET
		CC-BY-SA 4.0	Part	1 : 15	120 /147

OHO e.V.

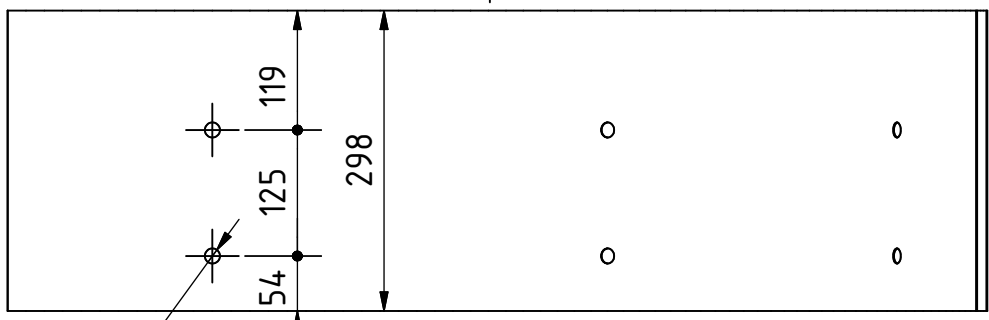
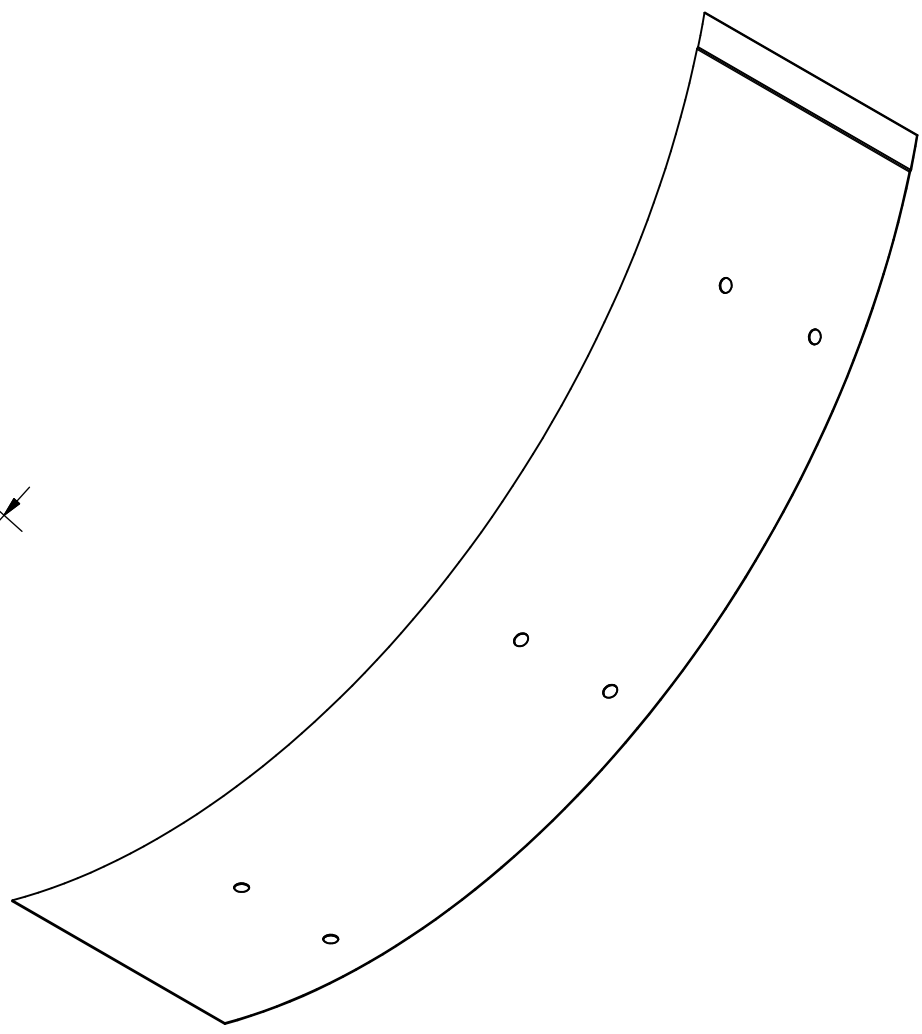
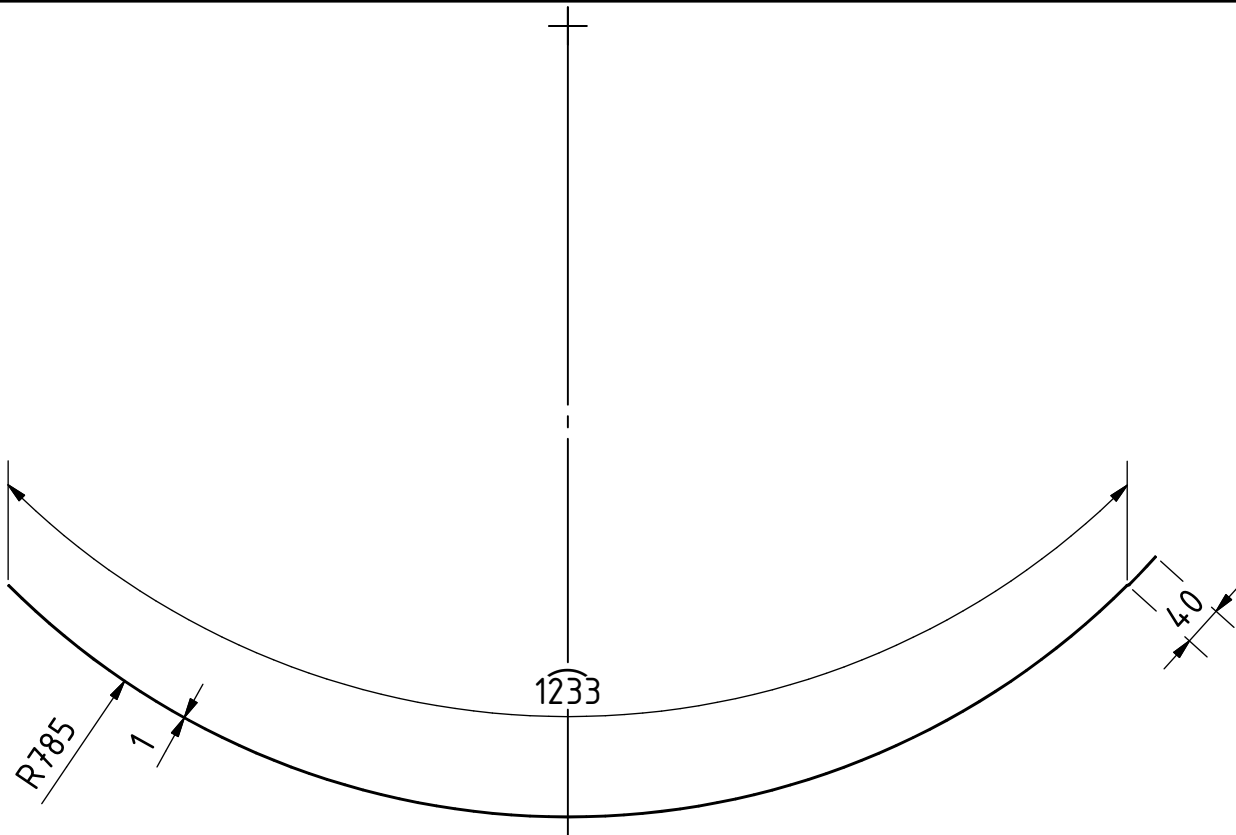


PROJECT	CREATED BY	APPROVED BY	DATE	VERSION	
Vertical Drum Hemp Harvester	A. Morillo	D. Jaeger	12-04-2024	0.05	
PART NAME	SPECIFICACIONES			CODE	
Part 2.21.3	Steel 235J2			2.21.3	
DEVELOPED BY	REDESIGNED BY	FILENAME		QTY	
		2.21.3.ipt		8	
Hanfasser		LICENSE	DOC. TYPE	SCALE	SHEET
		CC-BY-SA 4.0	Part	1 : 1	121 /147

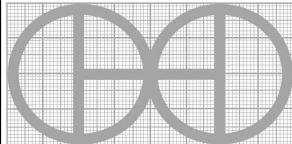


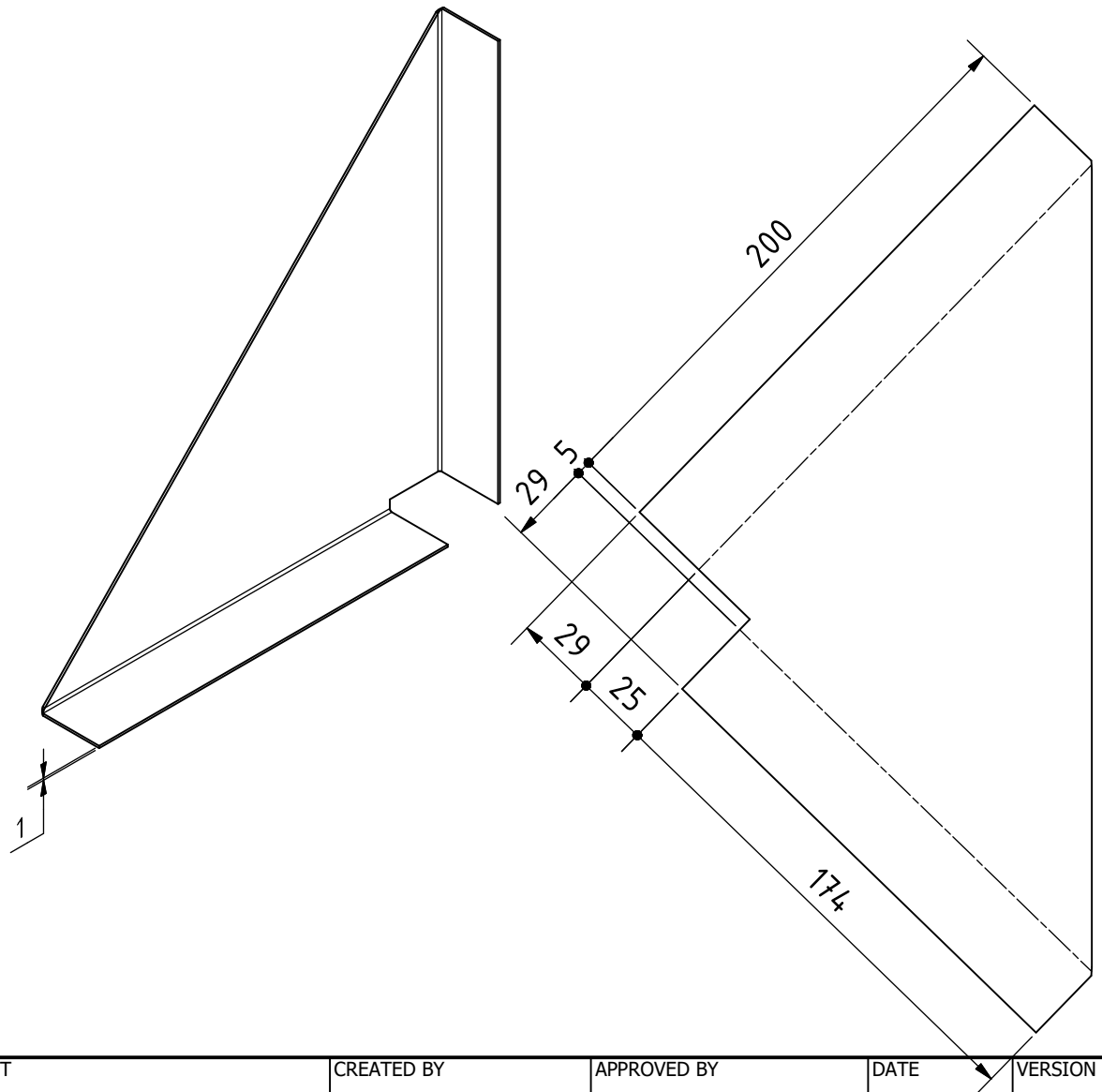
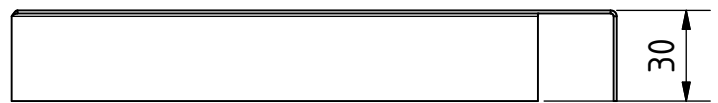
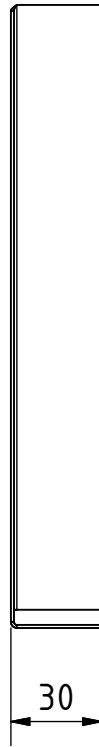
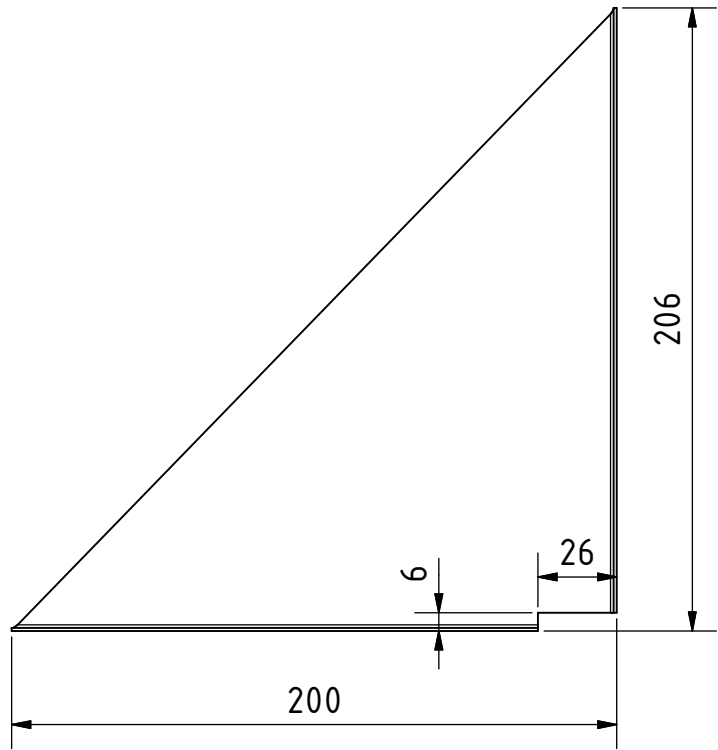
PROJECT	CREATED BY	APPROVED BY	DATE	VERSION	
Vertical Drum Hemp Harvester	A. Morillo	D. Jaeger	12-04-2024	0.05	
PART NAME	SPECIFICACIONES			CODE	
Part 2.21.4	Cast Iron (*)			2.21.4	
DEVELOPED BY	REDESIGNED BY	FILENAME		QTY	
Hanfasser		2.21.4.ipt		2	
		LICENSE	DOC. TYPE	SCALE	SHEET
		CC-BY-SA 4.0	Part	2 : 5	122 /147

OHO e.V.

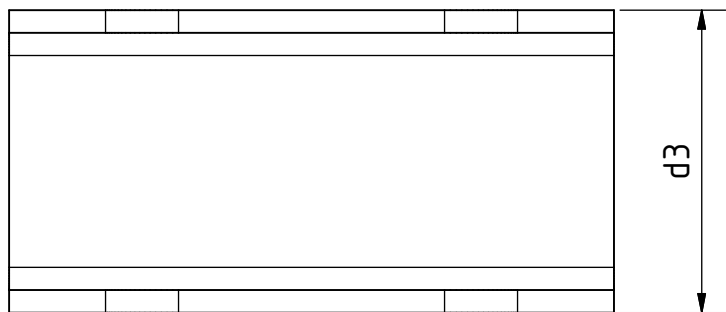
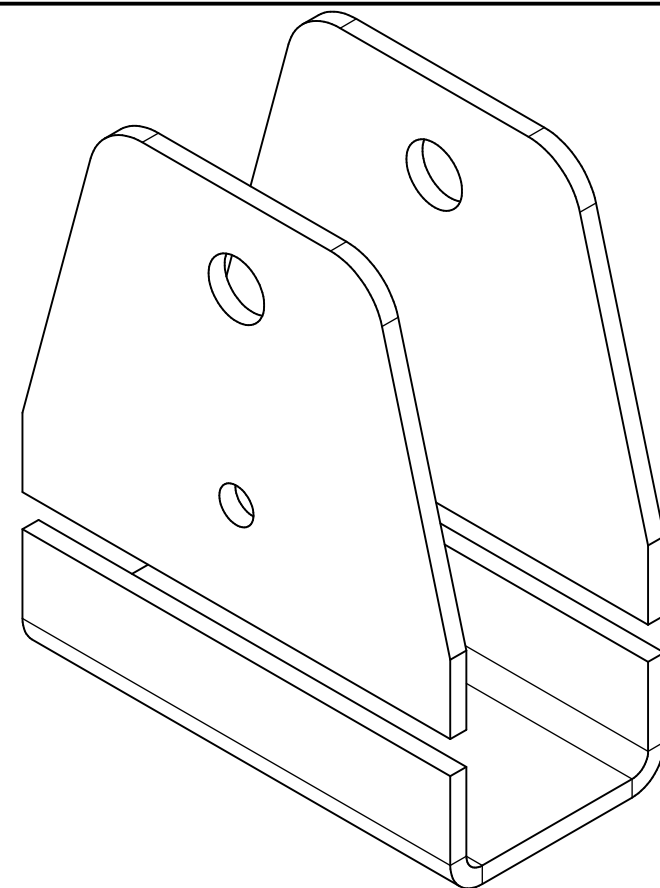
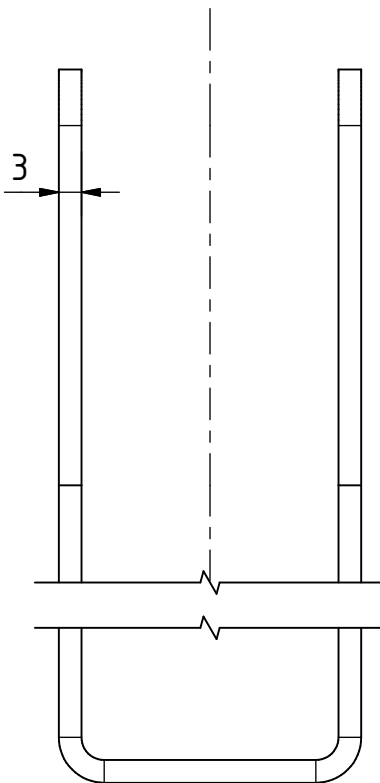
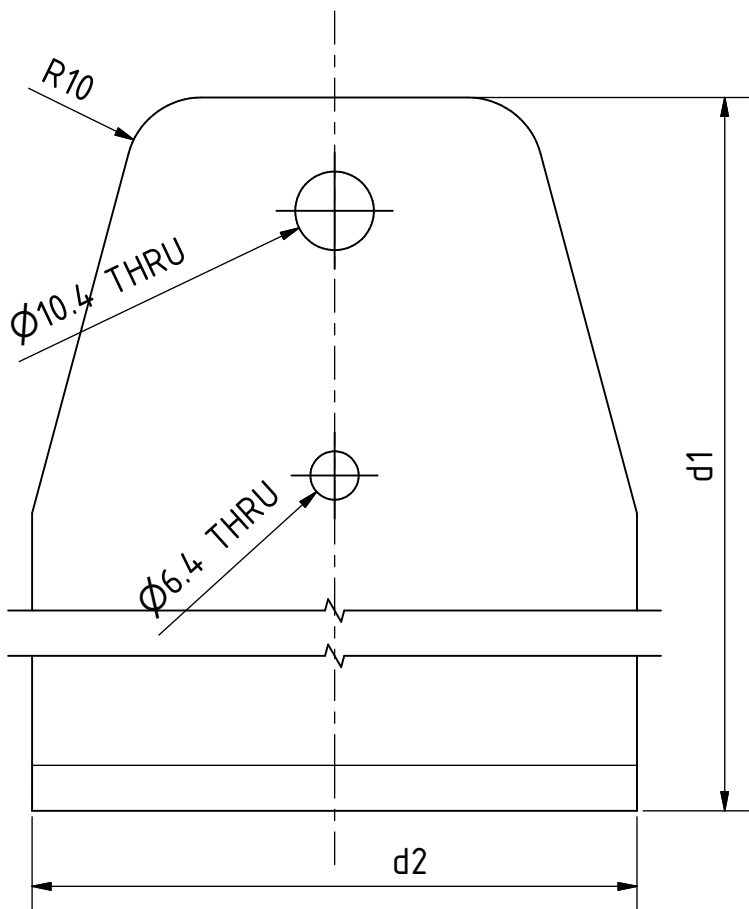


Ø15 THRU
x6

PROJECT		CREATED BY		APPROVED BY		DATE		VERSION		
Vertical Drum Hemp Harvester		A. Morillo		D. Jaeger		12-04-2024		0.05		
PART NAME		SPECIFICACIONES								CODE
Part 2.21.5		Steel 235J2								2.21.5
DEVELOPED BY		REDESIGNED BY		FILENAME				QTY		
Hanfasser				2.21.5.ipt				8		
		OHO e.V.		LICENSE		DOC. TYPE		SCALE		SHEET
				CC-BY-SA 4.0		Part		2 : 15		123 /147

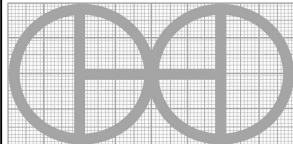


PROJECT	CREATED BY	APPROVED BY	DATE	VERSION
Vertical Drum Hemp Harvester	A. Morillo	D. Jaeger	12-04-2024	0.05
PART NAME	SPECIFICACIONES			CODE
Part 2.21.6	Steel 235J2			2.21.6
DEVELOPED BY	REDESIGNED BY	FILENAME		QTY
		2.21.6.ipt		8
Hanfasser		LICENSE	DOC. TYPE	SHEET
		CC-BY-SA 4.0	Part	124 /147
			SCALE	
			2 : 5	



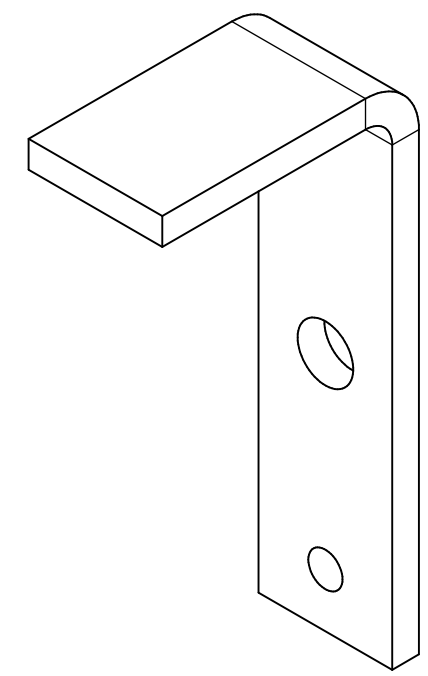
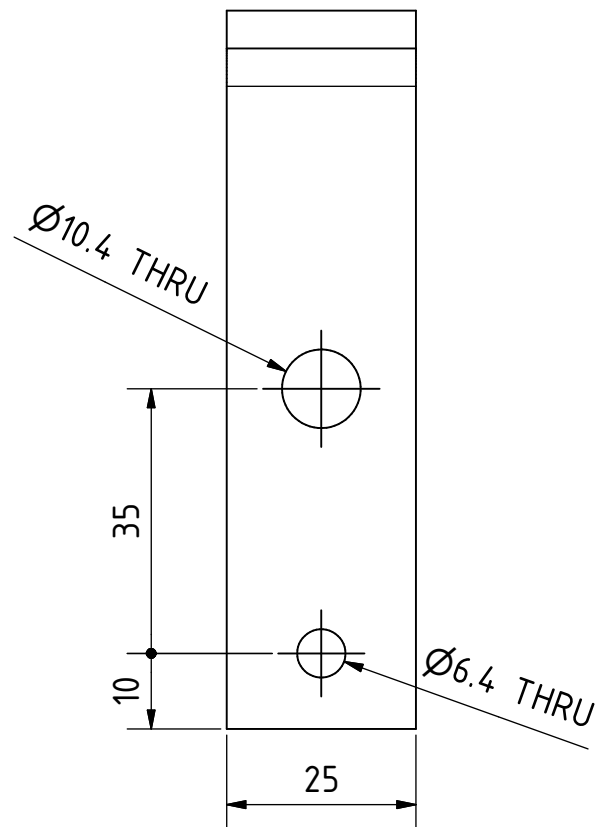
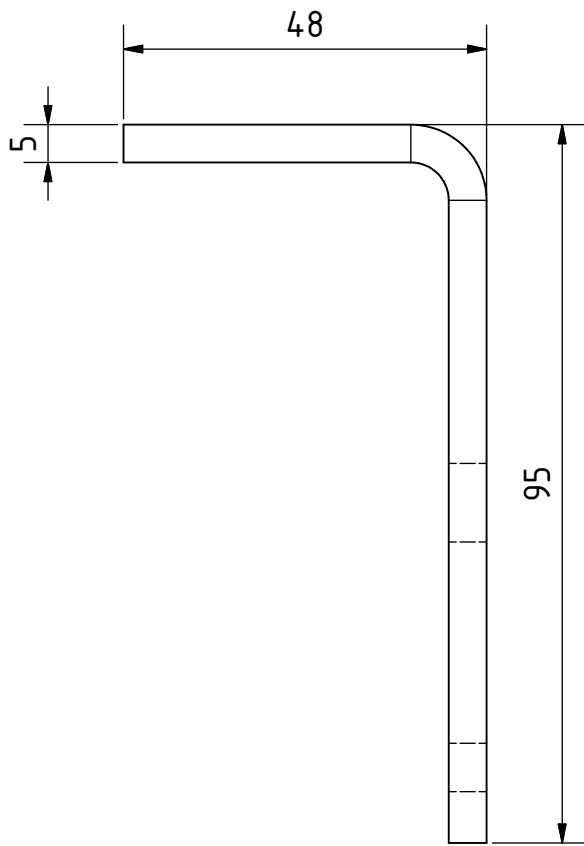
Size table			
Pos	d1	d2	d3
2.21.8_A (right)	185 mm	80 mm	40 mm
2.21.8_B (left)	190 mm	80 mm	40 mm

This item was adjusted to avoid interference problems

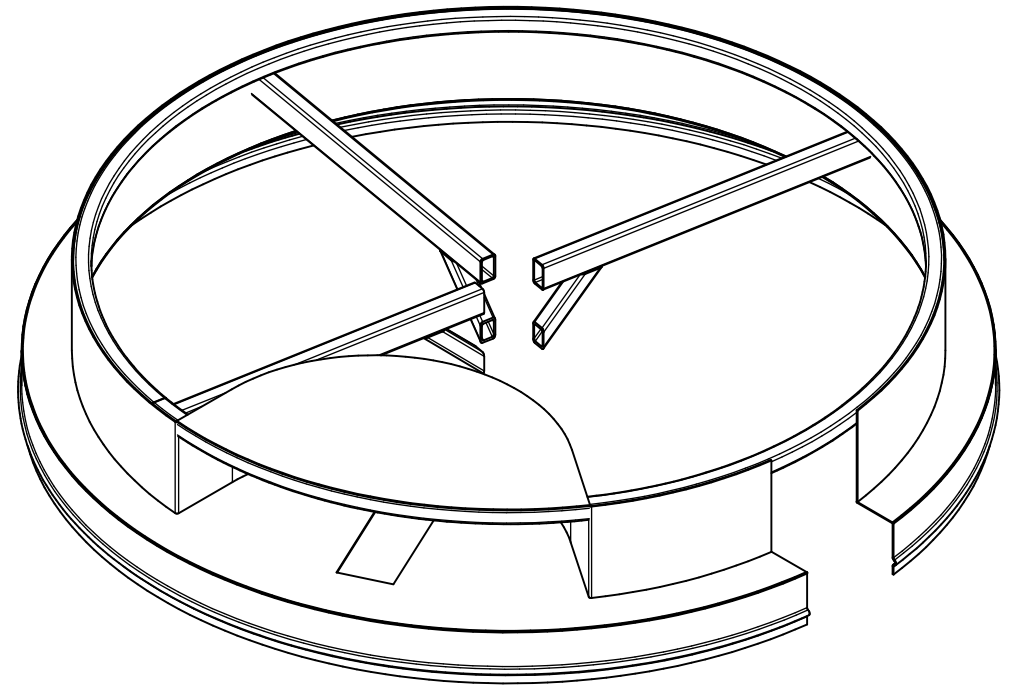
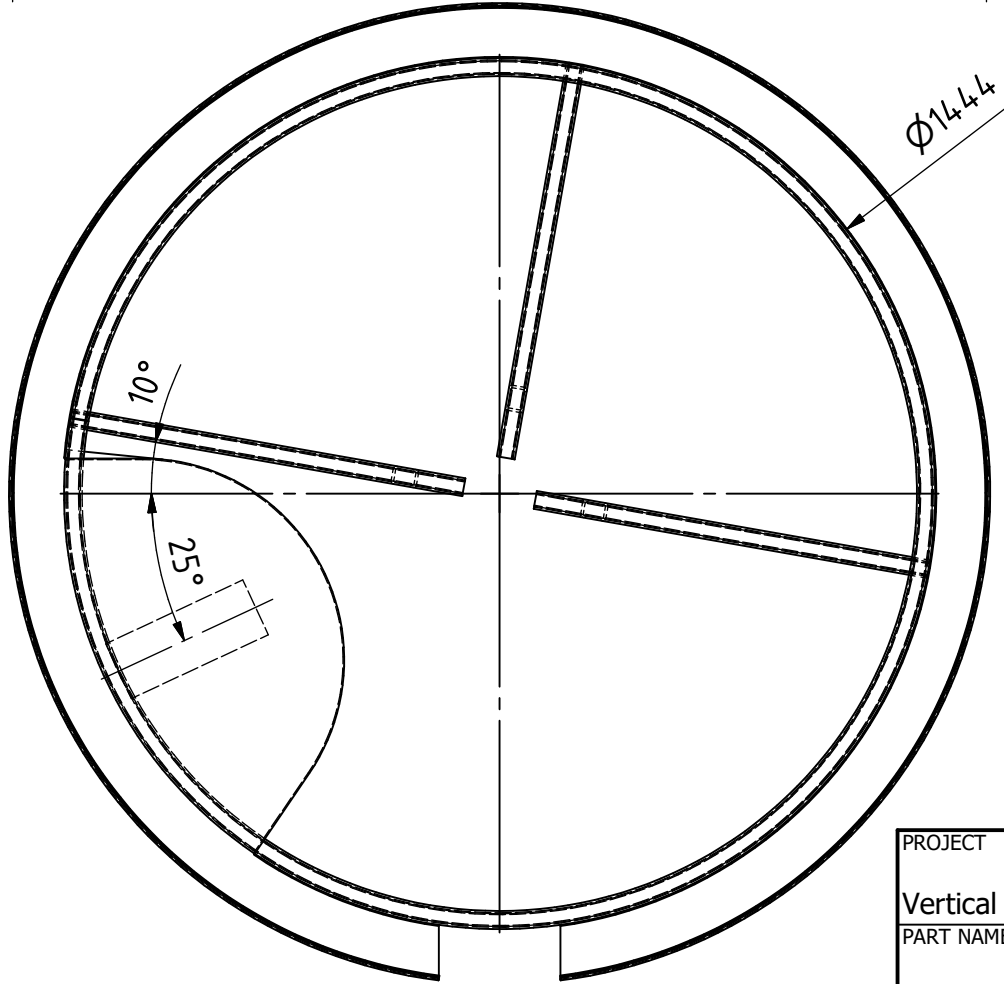
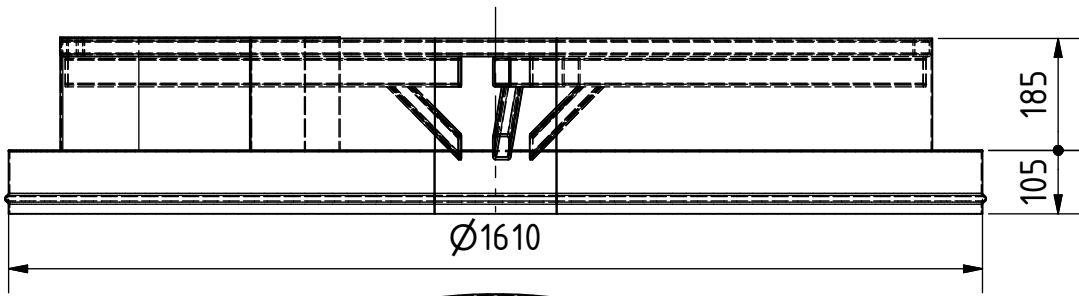
PROJECT	CREATED BY	APPROVED BY	DATE	VERSION
Vertical Drum Hemp Harvester	A. Morillo	D. Jaeger	12-04-2024	0.05
PART NAME	SPECIFICACIONES			CODE
Part 2.21.8	Steel 235J2			2.21.8
DEVELOPED BY	REDESIGNED BY	FILENAME		QTY
		2.21.8.ipt		24
		LICENSE	DOC. TYPE	SHEET
Hanfasser		CC-BY-SA 4.0	Part	125 /147

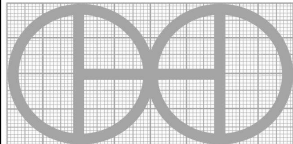
OHO e.V.

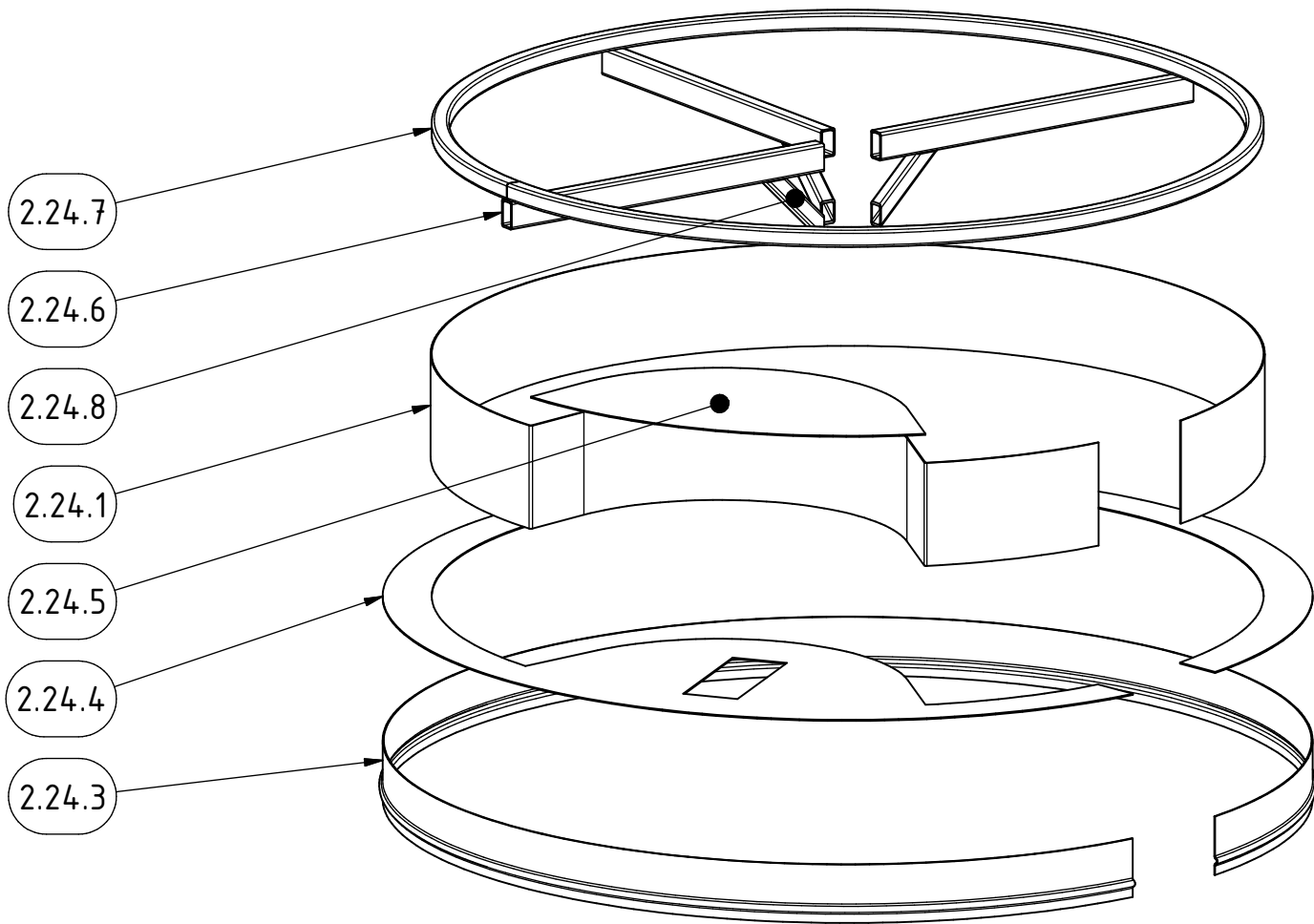
SCALE 1 : 1

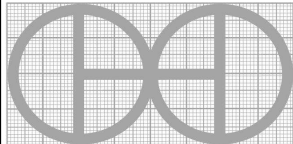


PROJECT	CREATED BY	APPROVED BY	DATE	VERSION
Vertical Drum Hemp Harvester	A. Morillo	D. Jaeger	12-04-2024	0.05
PART NAME	SPECIFICACIONES			CODE
Part 2.21.10	Steel 235J2			2.21.10
DEVELOPED BY	REDESIGNED BY	FILENAME		QTY
		2.21.10.ipt		24
Hanfasser		LICENSE	DOC. TYPE	SHEET
		CC-BY-SA 4.0	Part	126 /147
			SCALE	
			1 : 1	

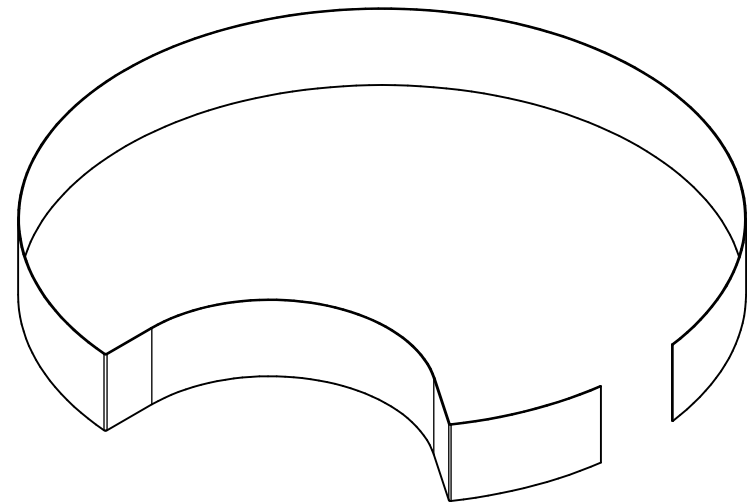
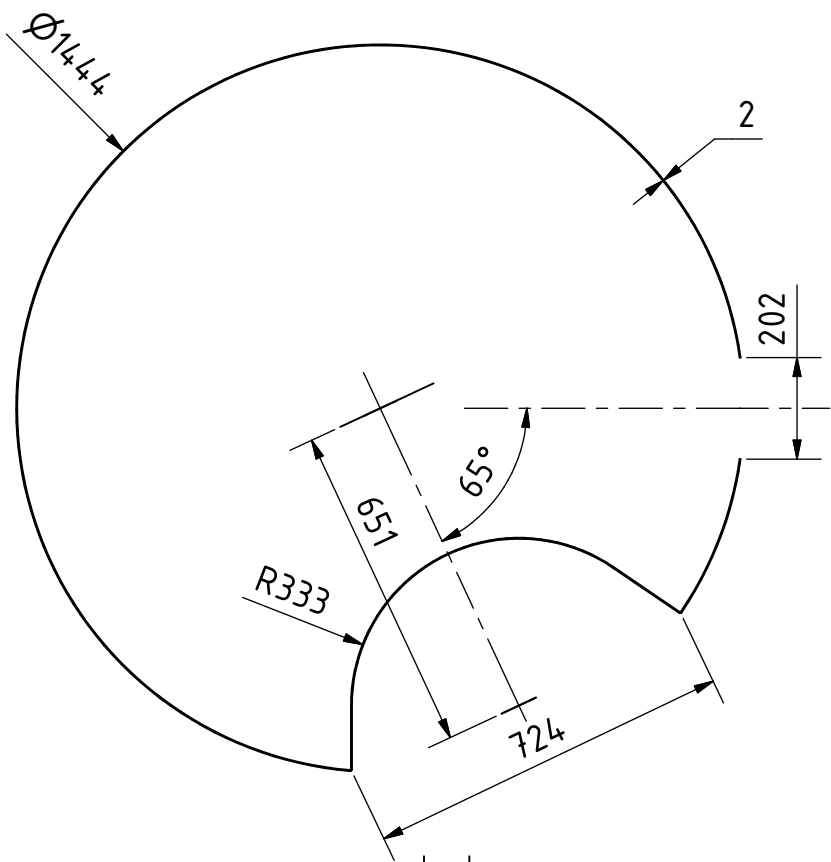


PROJECT	CREATED BY	APPROVED BY	DATE	VERSION
Vertical Drum Hemp Harvester	A. Morillo	D. Jaeger	12-04-2024	0.05
PART NAME	SPECIFICACIONES			CODE
Feeding drums 2				2.24.0
DEVELOPED BY	REDESIGNED BY	FILENAME		QTY
		2.24.iam		2
Hanfasser		LICENSE	DOC. TYPE	SCALE
		CC-BY-SA 4.0	Assembly	2 : 25
				SHEET
				127 /147

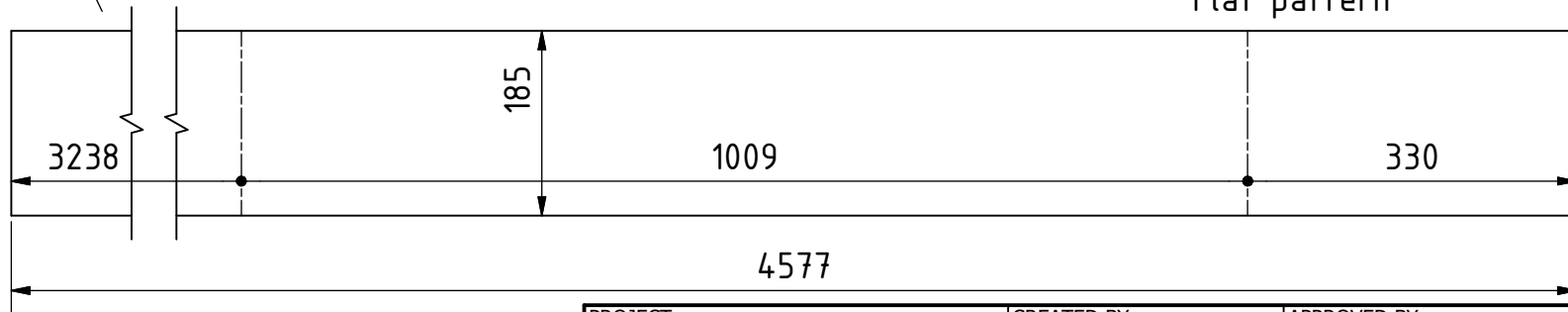


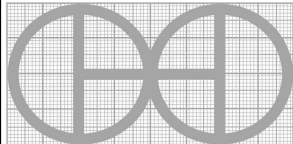
PROJECT	CREATED BY	APPROVED BY	DATE	VERSION
Vertical Drum Hemp Harvester	A. Morillo	D. Jaeger	12-04-2024	0.05
PART NAME	SPECIFICACIONES			CODE
Feeding drums 2				2.24.0
DEVELOPED BY	REDESIGNED BY	FILENAME		QTY
		2.24.ipn		2
Hanfasser		LICENSE	DOC. TYPE	SCALE
		CC-BY-SA 4.0	Assembly	2 : 25
				SHEET
				128 /147

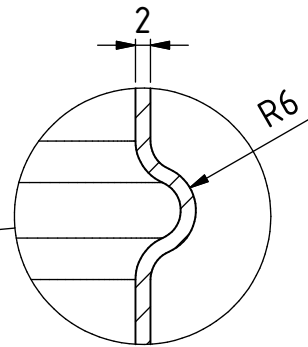
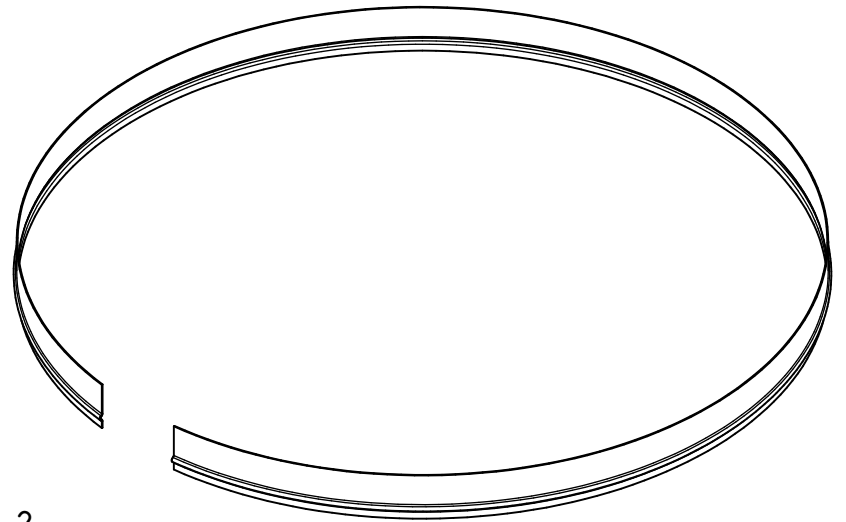
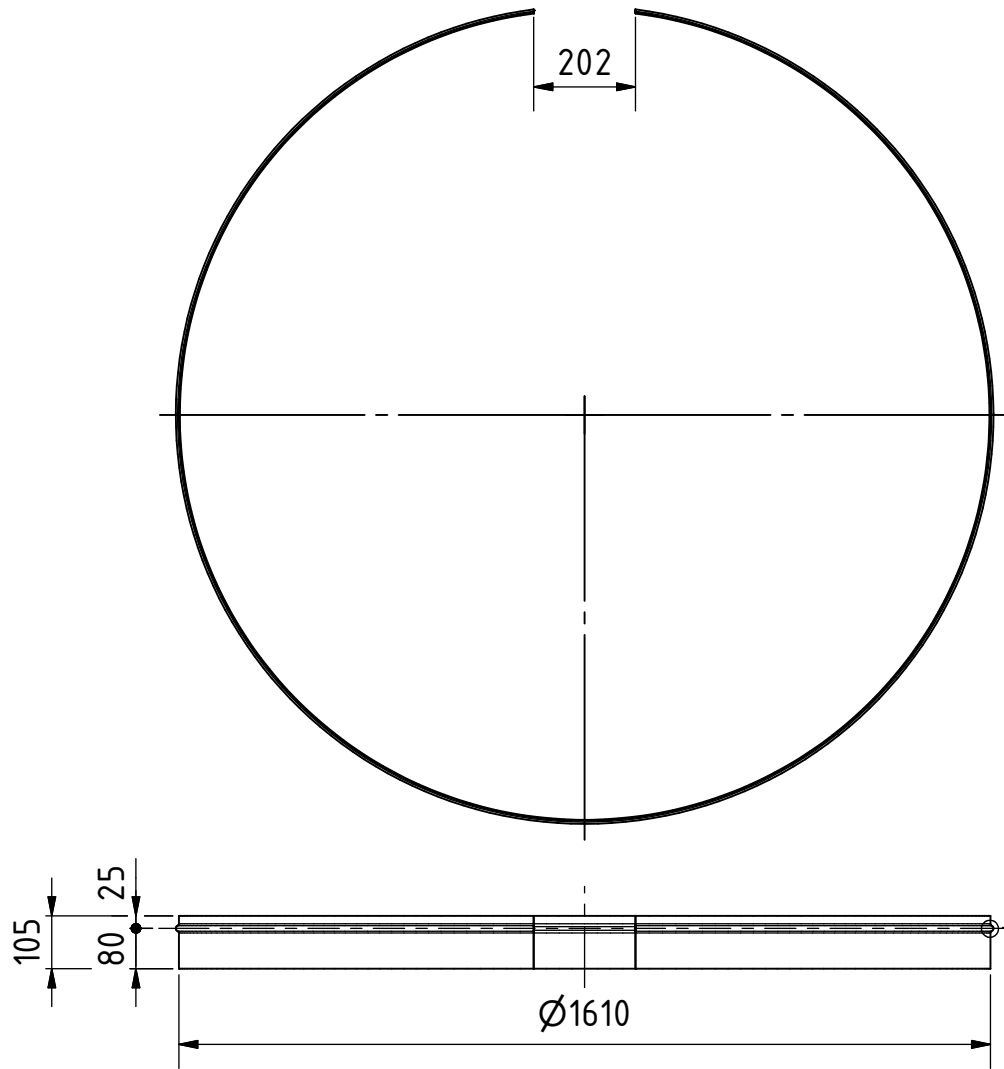
OHO e.V.

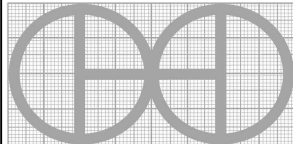


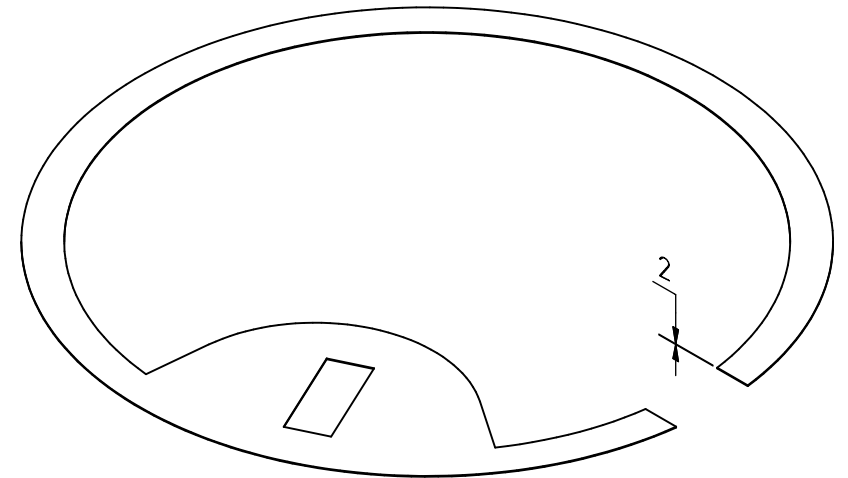
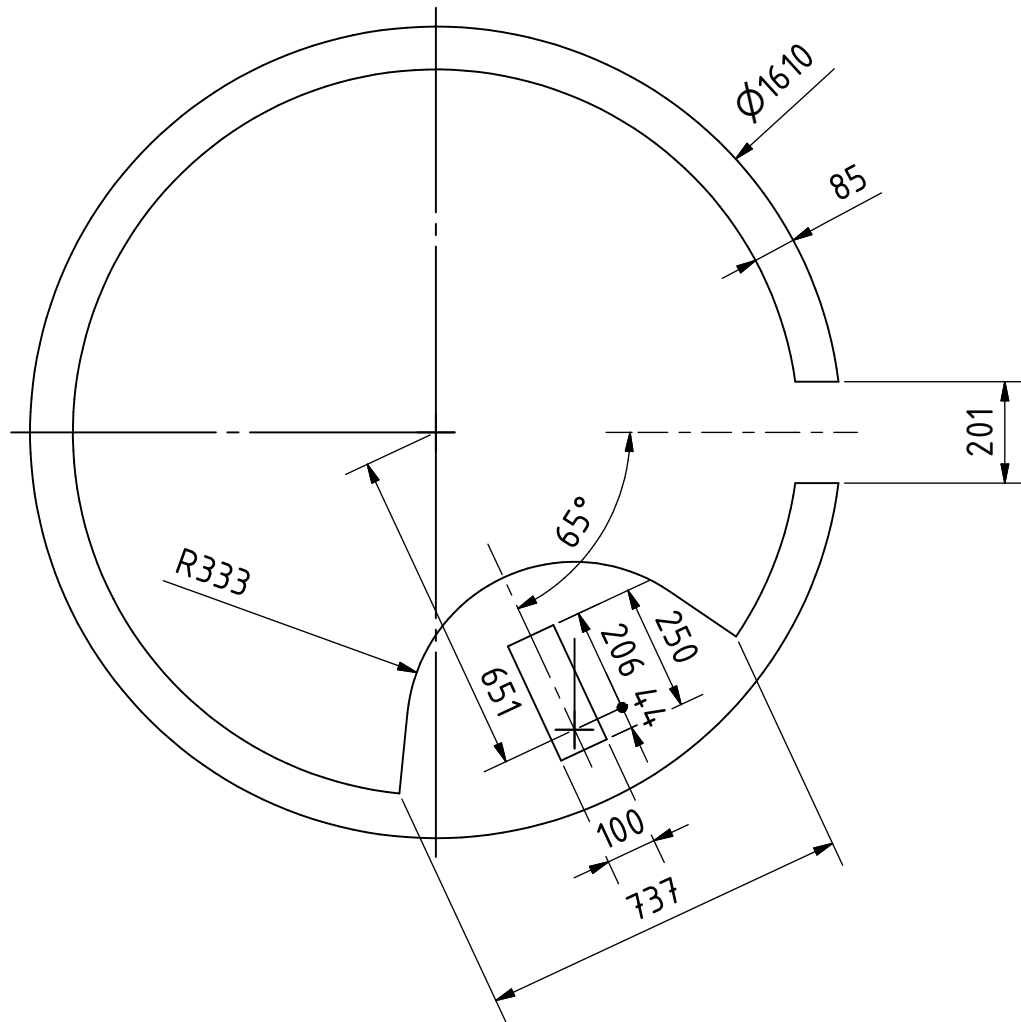
Flat pattern

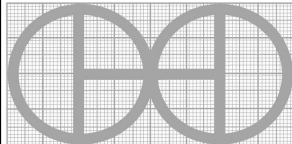


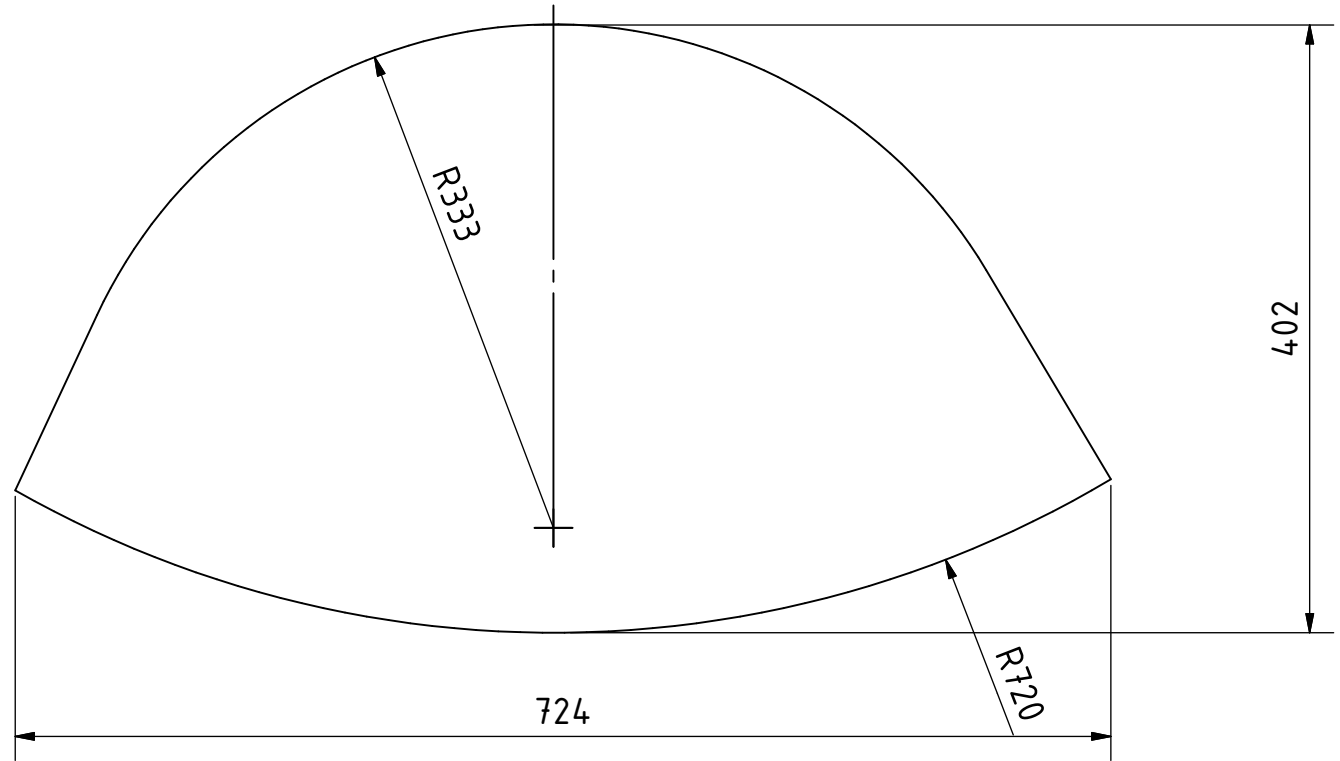
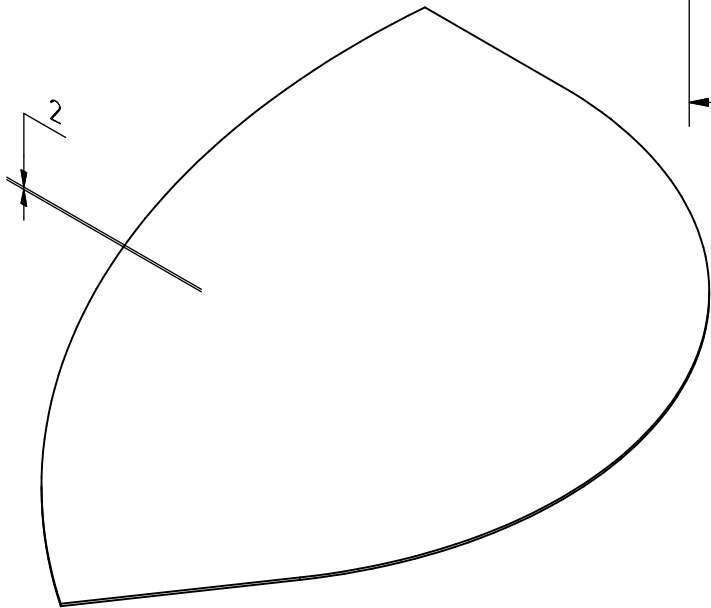
PROJECT	CREATED BY	APPROVED BY	DATE	VERSION	
Vertical Drum Hemp Harvester	A. Morillo	D. Jaeger	12-04-2024	0.05	
PART NAME	SPECIFICACIONES			CODE	
Part 2.24.1	Steel 235J2			2.24.1	
DEVELOPED BY	REDESIGNED BY	FILENAME		QTY	
Hanfasser		2.24.1.ipt		2	
		LICENSE	DOC. TYPE	SCALE	SHEET
		CC-BY-SA 4.0	Part	1 : 15	129 /147

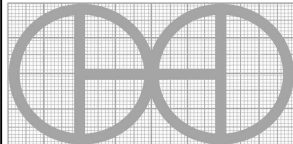


PROJECT	CREATED BY	APPROVED BY	DATE	VERSION	
Vertical Drum Hemp Harvester	A. Morillo	D. Jaeger	12-04-2024	0.05	
PART NAME	SPECIFICACIONES			CODE	
Part 2.24.3	Steel 235J2			2.24.3	
DEVELOPED BY	REDESIGNED BY	FILENAME		QTY	
Hanfasser		2.24.3.ipt		2	
		LICENSE	DOC. TYPE	SCALE	SHEET
		CC-BY-SA 4.0	Part	1 : 15	130 /147

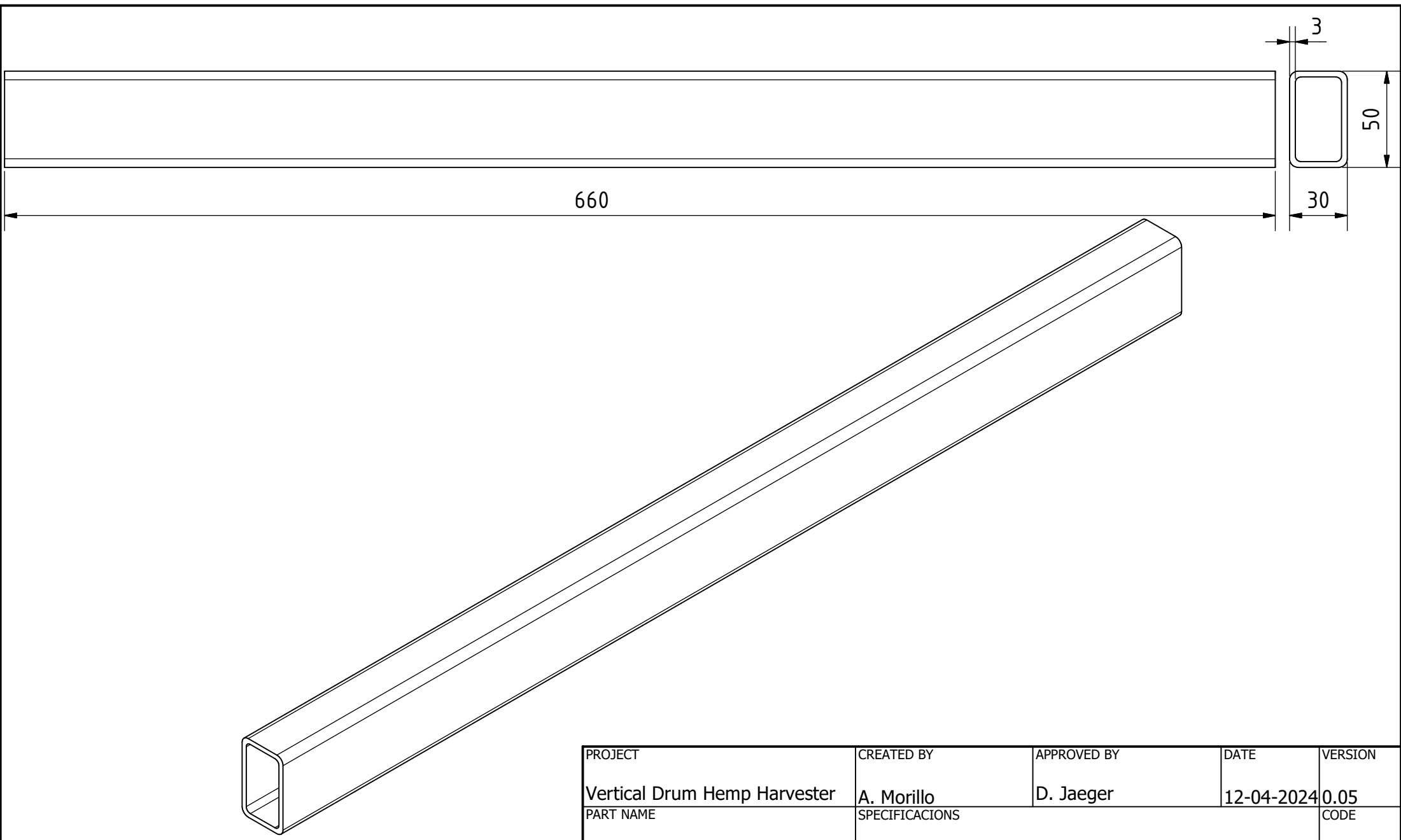


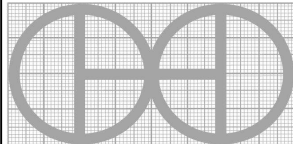
PROJECT	CREATED BY	APPROVED BY	DATE	VERSION	
Vertical Drum Hemp Harvester	A. Morillo	D. Jaeger	12-04-2024	0.05	
PART NAME	SPECIFICACIONES			CODE	
Part 2.24.4	Steel 235J2			2.24.4	
DEVELOPED BY	REDESIGNED BY	FILENAME		QTY	
Hanfasser		2.24.4.ipt		2	
		LICENSE	DOC. TYPE	SCALE	SHEET
		CC-BY-SA 4.0	Part	1 : 1	131 / 147



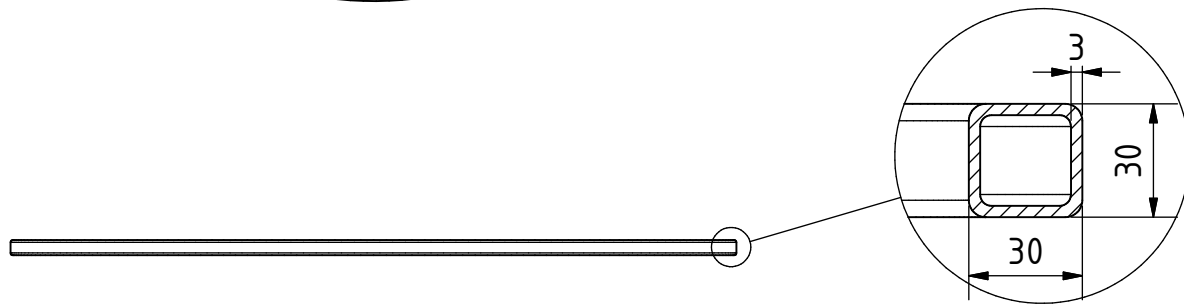
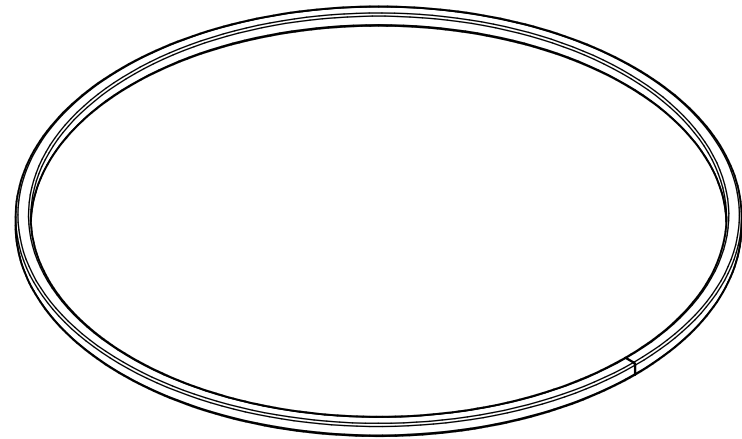
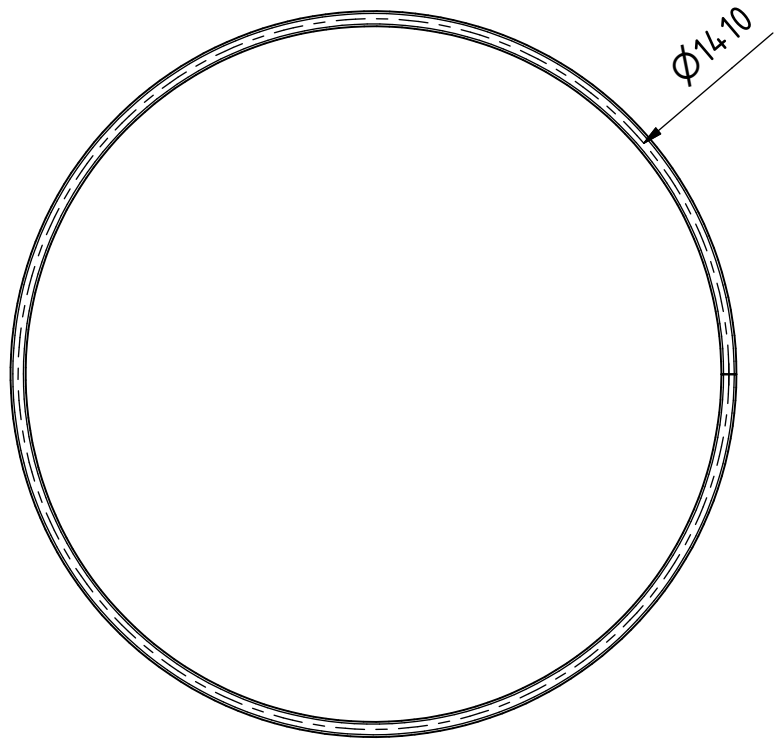
PROJECT	CREATED BY	APPROVED BY	DATE	VERSION	
Vertical Drum Hemp Harvester	A. Morillo	D. Jaeger	12-04-2024	0.05	
PART NAME	SPECIFICACIONES			CODE	
Part 2.24.5	Steel 235J2			2.24.5	
DEVELOPED BY	REDESIGNED BY	FILENAME		QTY	
Hanfasser		2.24.5.ipt		2	
		LICENSE	DOC. TYPE	SCALE	SHEET
		CC-BY-SA 4.0	Part	1 : 5	132 /147

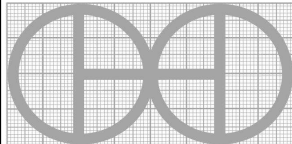
OHO e.V.

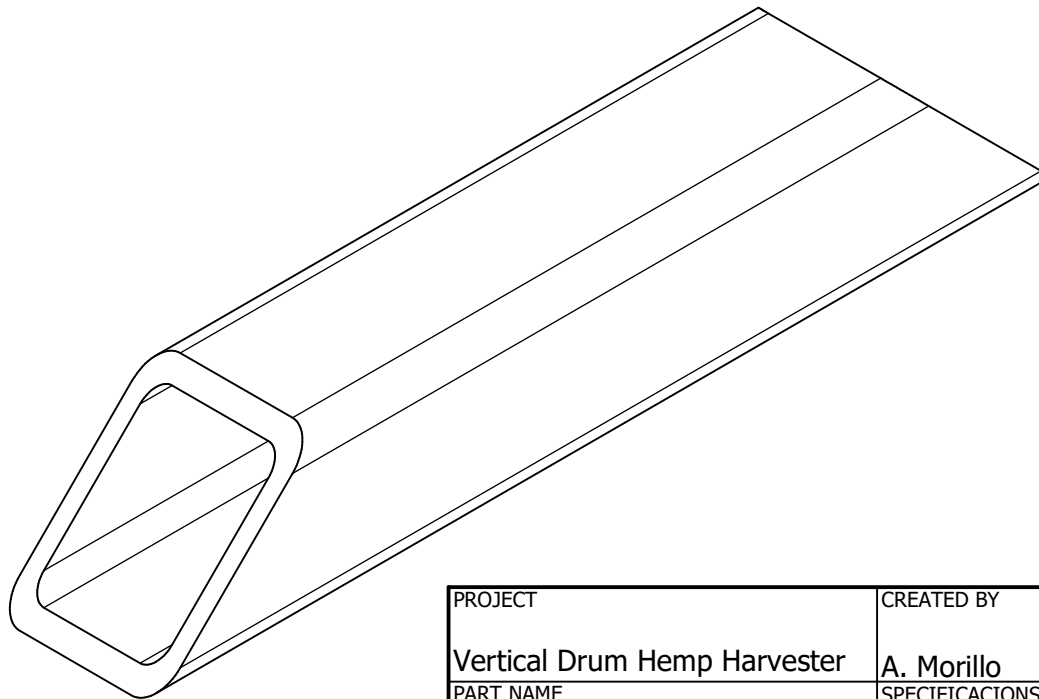
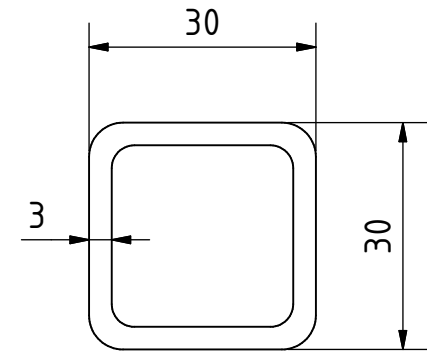
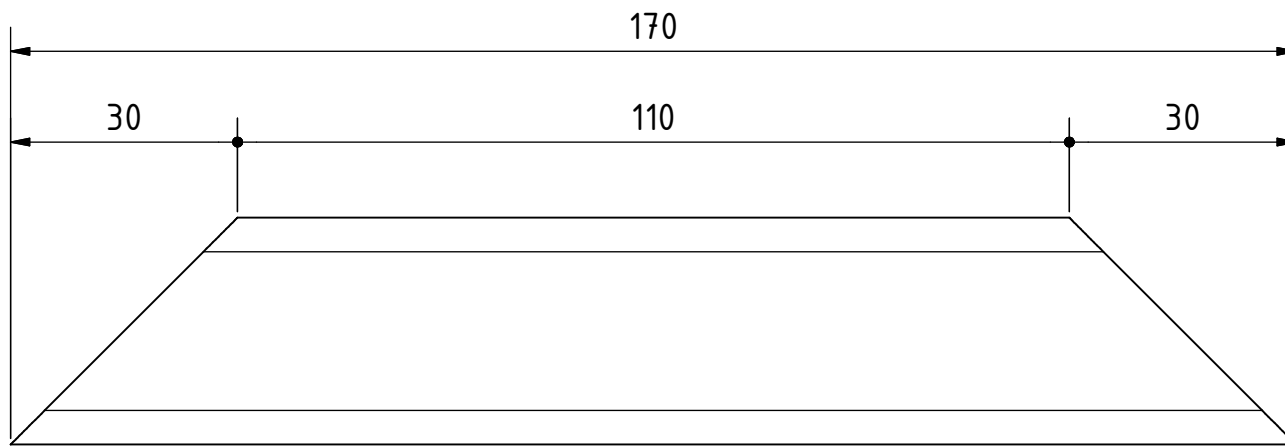


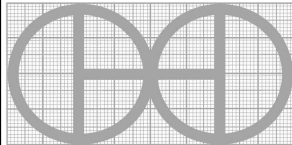
PROJECT	CREATED BY	APPROVED BY	DATE	VERSION	
Vertical Drum Hemp Harvester	A. Morillo	D. Jaeger	12-04-2024	0.05	
PART NAME	SPECIFICACIONES			CODE	
Part 2.24.6	Steel 235J2, rectangle profile 50*30*3			2.24.6	
DEVELOPED BY	REDESIGNED BY	FILENAME		QTY	
Hanfasser		2.24.6.ipt		6	
		LICENSE	DOC. TYPE	SCALE	SHEET
		CC-BY-SA 4.0	Part	2 : 5	133 /147

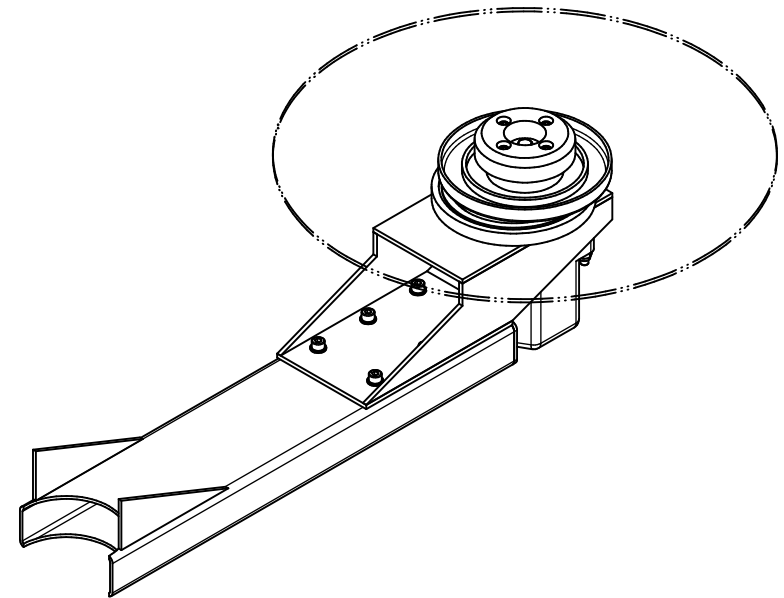
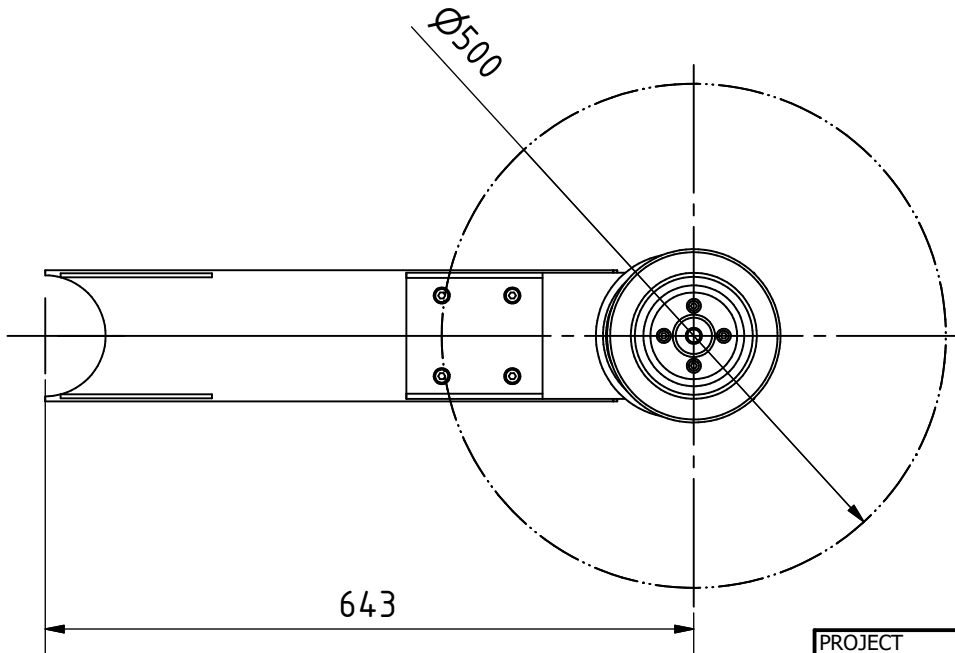
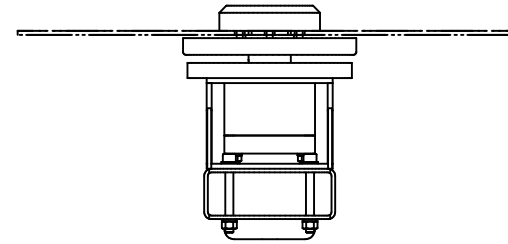
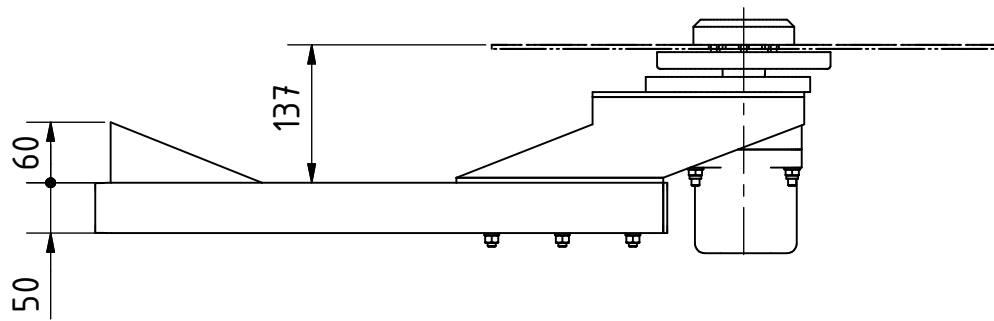
OHO e.V.

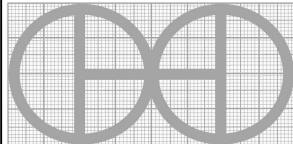


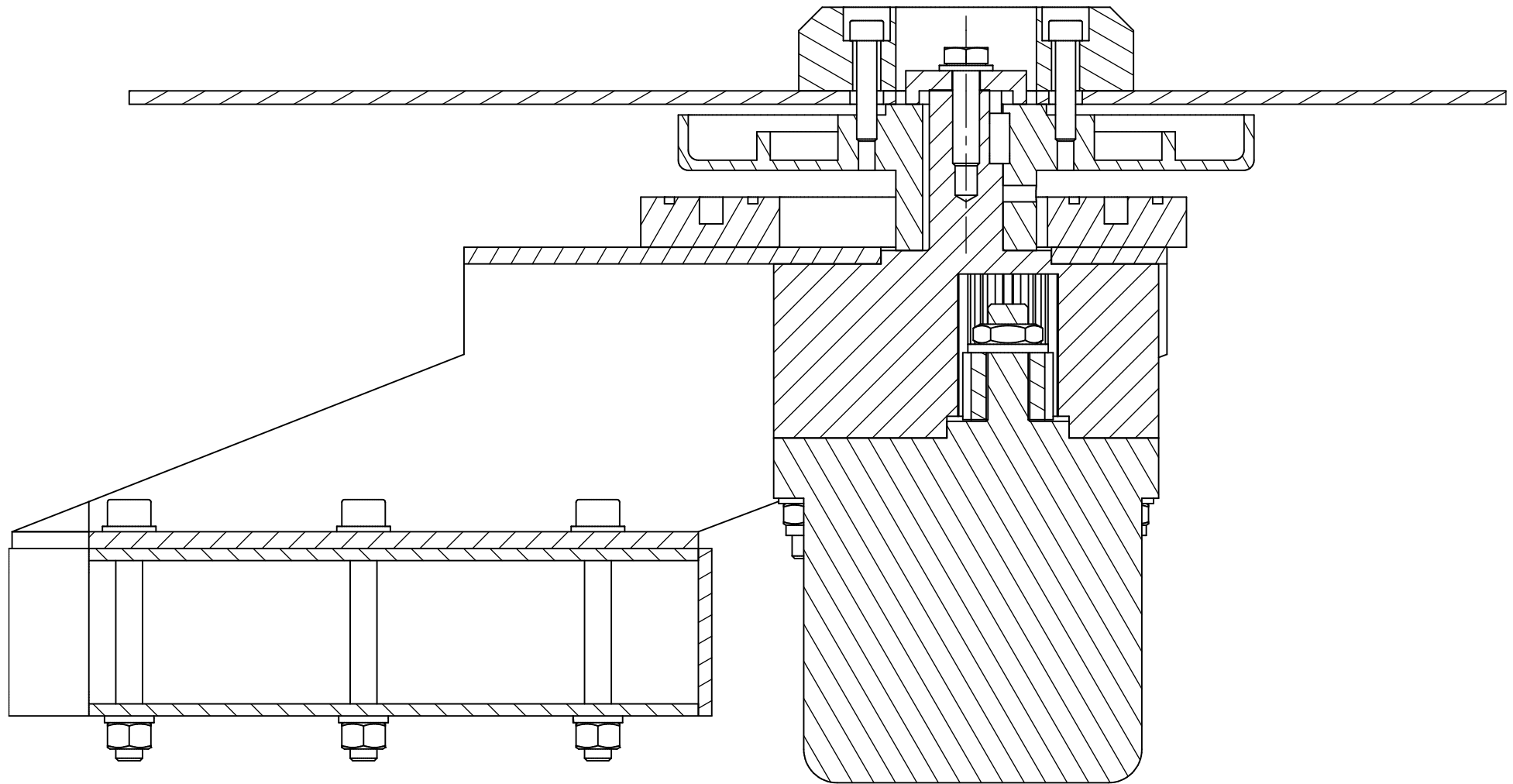
PROJECT	CREATED BY	APPROVED BY	DATE	VERSION	
Vertical Drum Hemp Harvester	A. Morillo	D. Jaeger	12-04-2024	0.05	
PART NAME	SPECIFICACIONES			CODE	
Part 2.24.7	Steel 235J2, square profile 30*30*3			2.24.7	
DEVELOPED BY	REDESIGNED BY	FILENAME		QTY	
Hanfasser		2.24.7.ipt		2	
		LICENSE	DOC. TYPE	SCALE	SHEET
		CC-BY-SA 4.0	Part	1 : 15	134 /147

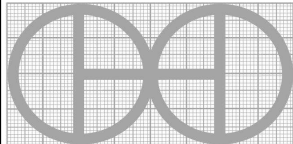


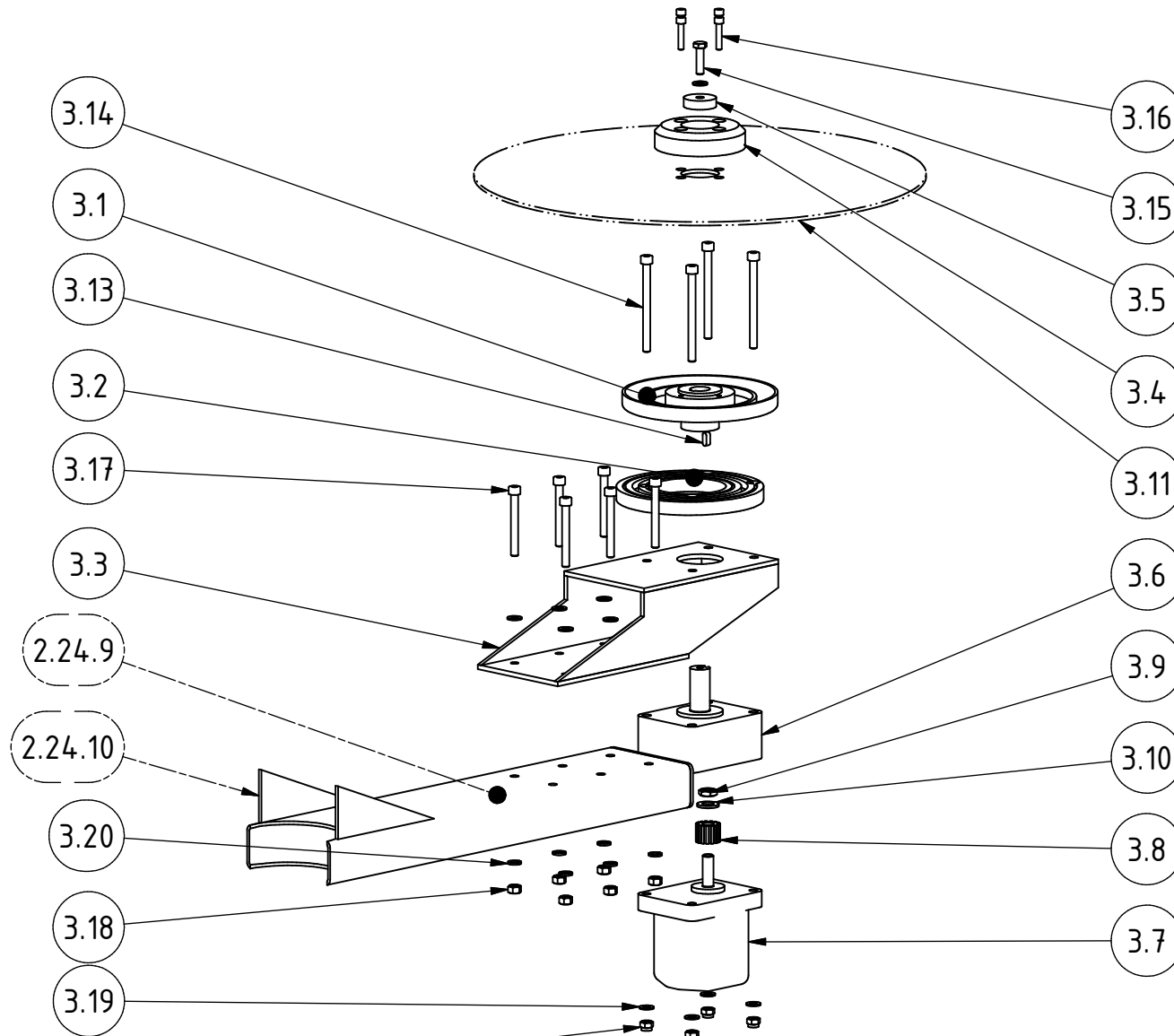
PROJECT	CREATED BY	APPROVED BY	DATE	VERSION	
Vertical Drum Hemp Harvester	A. Morillo	D. Jaeger	12-04-2024	0.05	
PART NAME	SPECIFICACIONES			CODE	
Part 2.24.8	Steel 235J2, square profile 30*30*3			2.24.8	
DEVELOPED BY	REDESIGNED BY	FILENAME		QTY	
		2.24.8.ipt		6	
Hanfasser		LICENSE	DOC. TYPE	SCALE	SHEET
		CC-BY-SA 4.0	Part	1 : 1	135 /147



PROJECT	CREATED BY	APPROVED BY	DATE	VERSION
Vertical Drum Hemp Harvester	A. Morillo	D. Jaeger	12-04-2024	0.05
PART NAME	SPECIFICACIONES			CODE
Circular saws				3.0.0
DEVELOPED BY	REDESIGNED BY	FILENAME		QTY
		3.iam		6
Hanfasser		OHO e.V.	LICENSE	DOC. TYPE
		CC-BY-SA 4.0	Assembly	SCALE
				SHEET
				136 /147

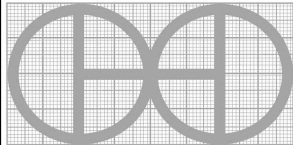


PROJECT	CREATED BY	APPROVED BY	DATE	VERSION
Vertical Drum Hemp Harvester	A. Morillo	D. Jaeger	12-04-2024	0.05
PART NAME	SPECIFICACIONES			CODE
Circular saws				3.0.0
DEVELOPED BY	REDESIGNED BY	FILENAME		QTY
		3.iam		6
		LICENSE	DOC. TYPE	SCALE
		CC-BY-SA 4.0	Assembly	4 : 7
Handfasser			OHO e.V.	SHEET
				137 /147

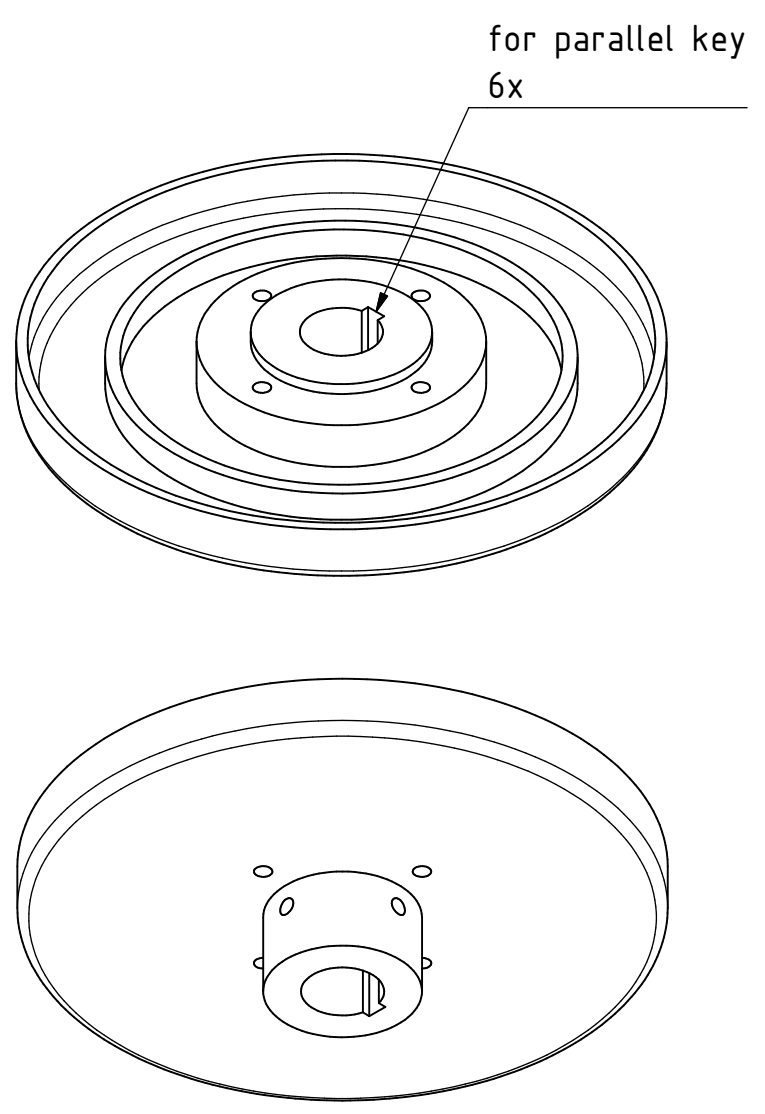
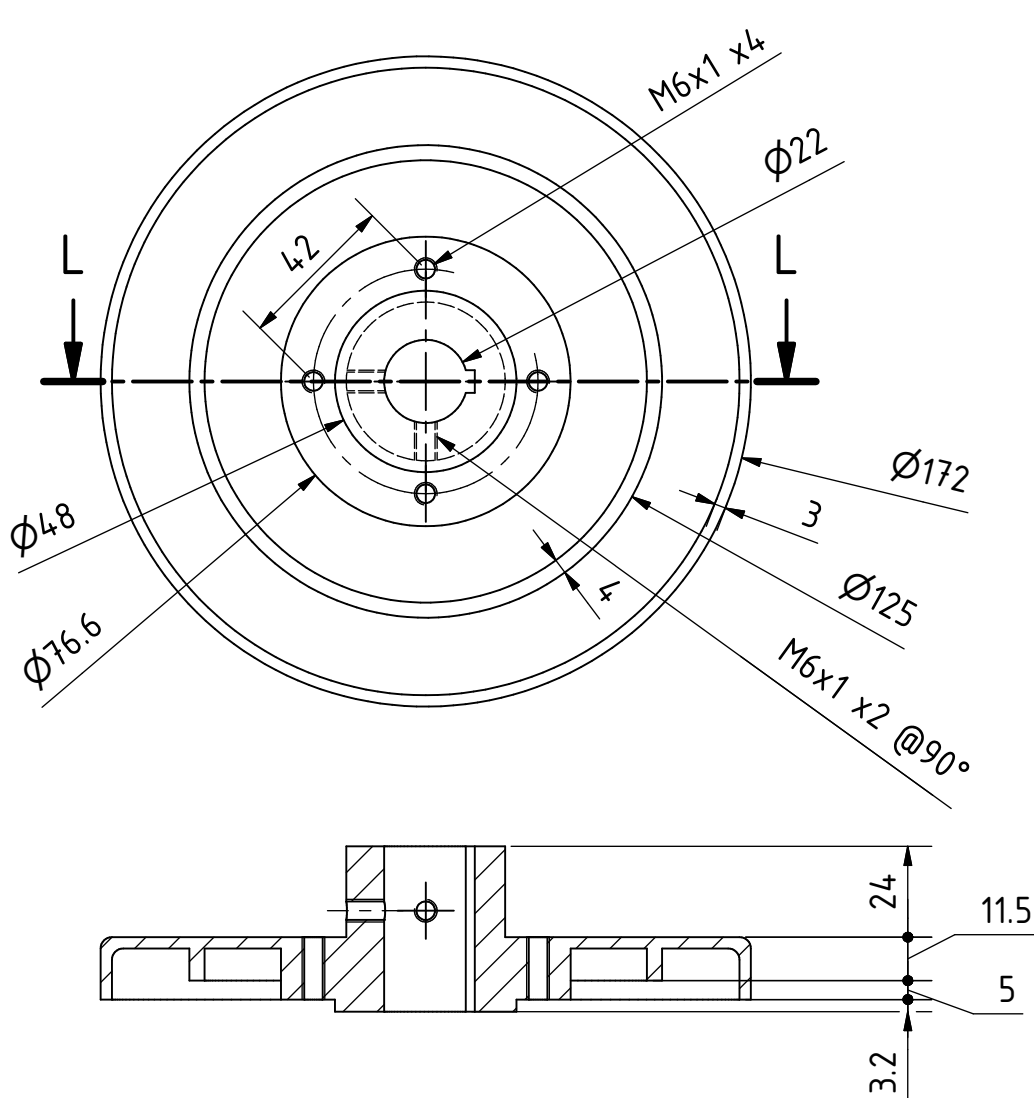


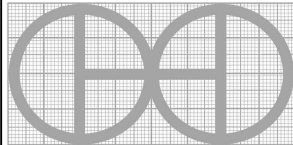
- 3.14
- 3.1
- 3.13
- 3.2
- 3.17
- 3.3
- 2.24.9
- 2.24.10
- 3.20
- 3.18
- 3.19
- 3.12

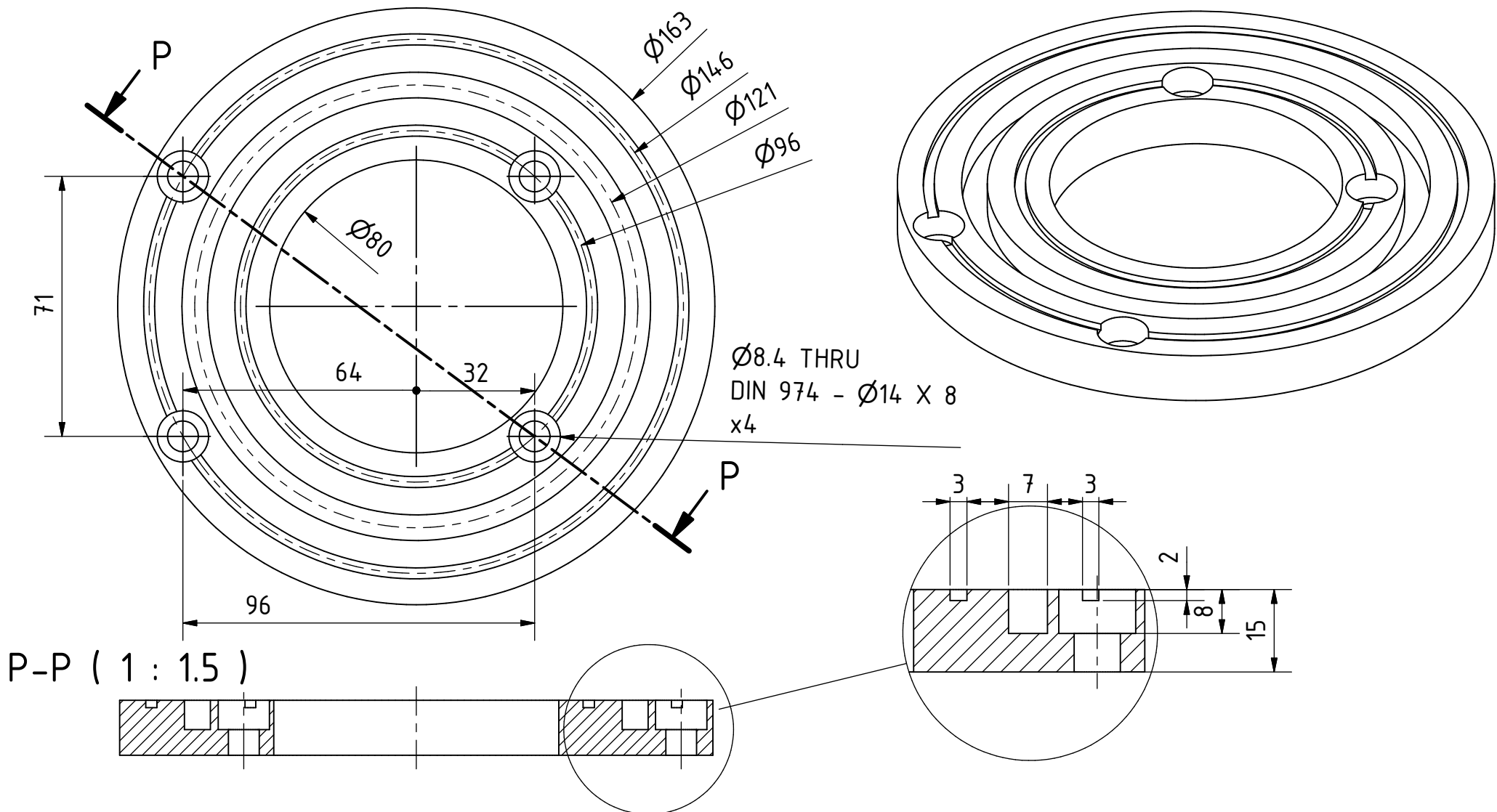
- 3.16
- 3.15
- 3.5
- 3.4
- 3.11
- 3.6
- 3.9
- 3.10
- 3.8
- 3.7

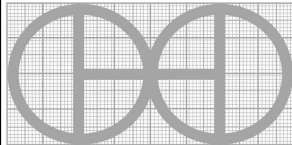
PROJECT	CREATED BY	APPROVED BY	DATE	VERSION
Vertical Drum Hemp Harvester	A. Morillo	D. Jaeger	12-04-2024	0.05
PART NAME	SPECIFICACIONES			CODE
Circular saws				3.0.0
DEVELOPED BY	REDESIGNED BY	FILENAME	QTY	
		3.ipn	6	
		LICENSE	DOC. TYPE	SCALE
Hanfasser		CC-BY-SA 4.0	Assembly	2 : 15
				SHEET
				138 /147

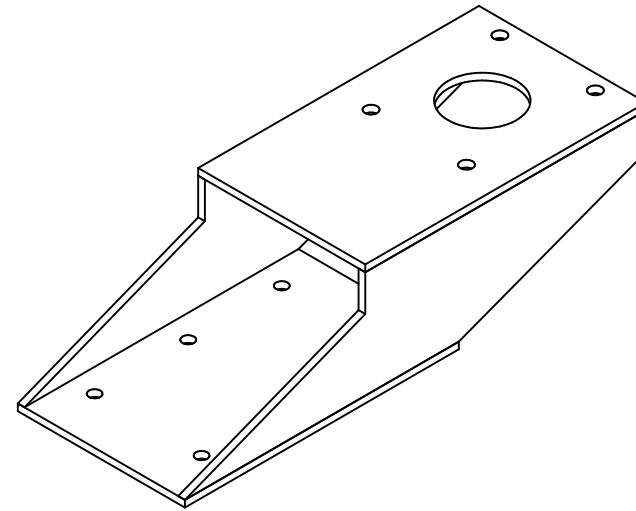
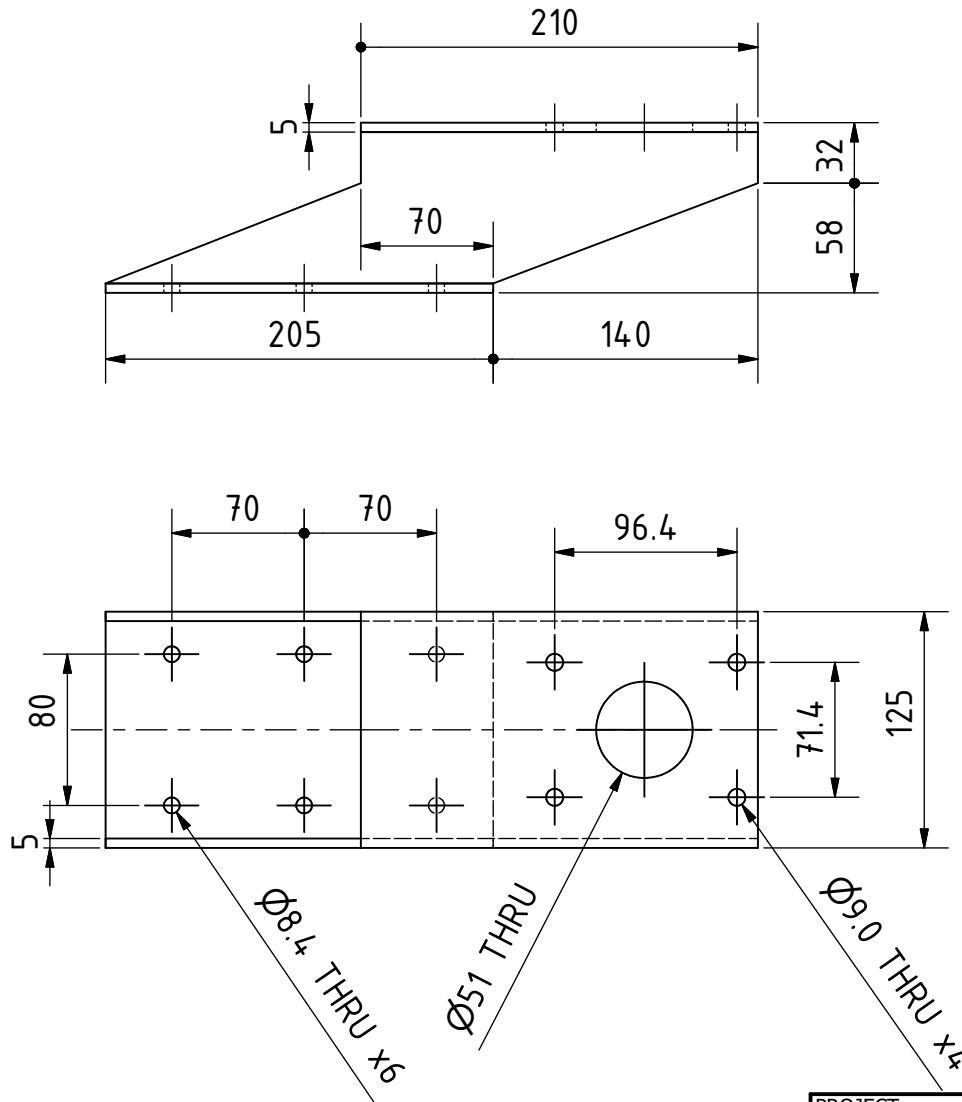
OHO e.V.



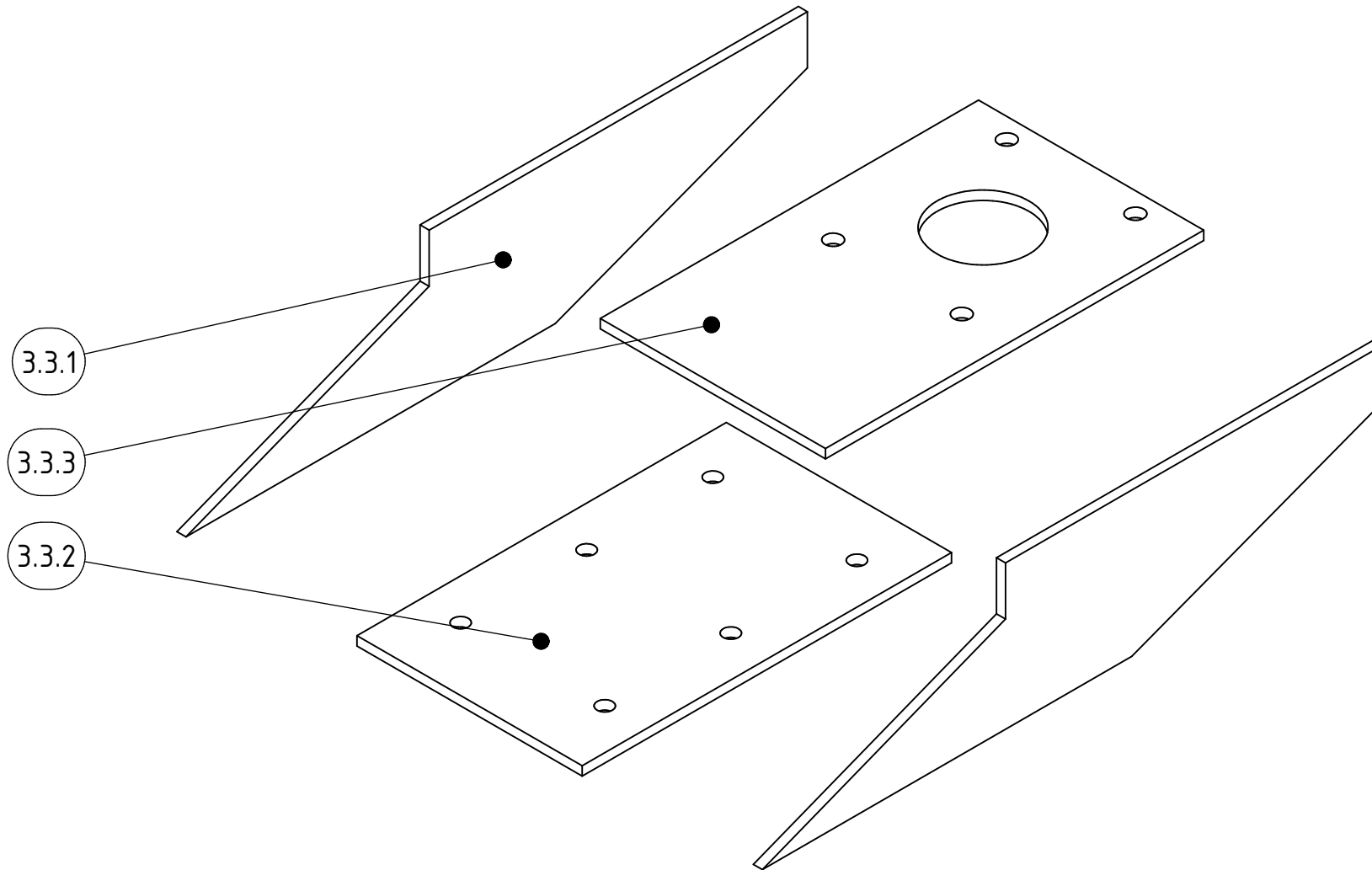
PROJECT		CREATED BY		APPROVED BY		DATE		VERSION		
Vertical Drum Hemp Harvester		A. Morillo		D. Jaeger		12-04-2024		0.05		
PART NAME		SPECIFICACIONES							CODE	
Circular saw fastening lower part		Steel 235J2							3.1.0	
DEVELOPED BY		REDESIGNED BY		FILENAME				QTY		
Hanfasser				3.1.ipt				6		
				LICENSE		DOC. TYPE		SCALE		
				CC-BY-SA 4.0		Part		1 : 2		
								139 /147		

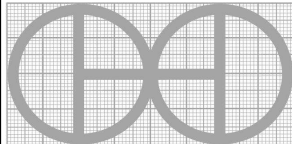


PROJECT	CREATED BY	APPROVED BY	DATE	VERSION
Vertical Drum Hemp Harvester	A. Morillo	D. Jaeger	12-04-2024	0.05
PART NAME	SPECIFICACIONES			CODE
Motor mounting plate	Steel 235J2			3.2.0
DEVELOPED BY	REDESIGNED BY	FILENAME		QTY
		3.2.ipt		6
		LICENSE	DOC. TYPE	SHEET
Hanfasser		CC-BY-SA 4.0	Part	140 /147
		OHO e.V.	SCALE	
			2 : 3	

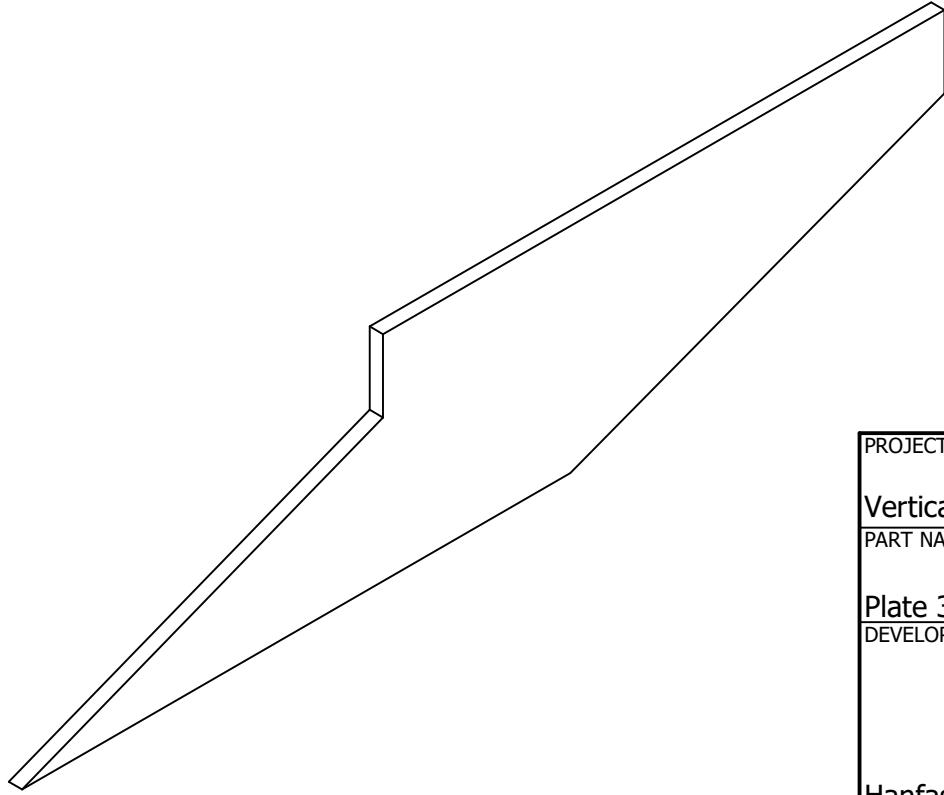
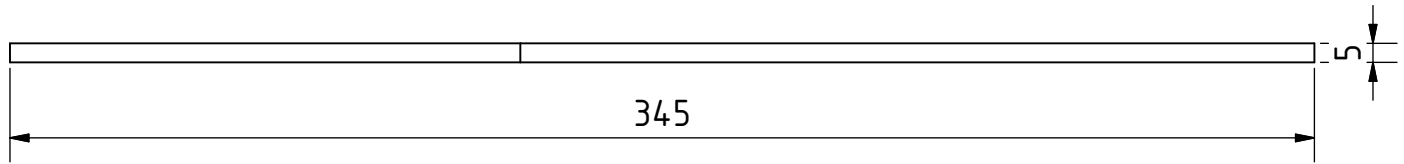
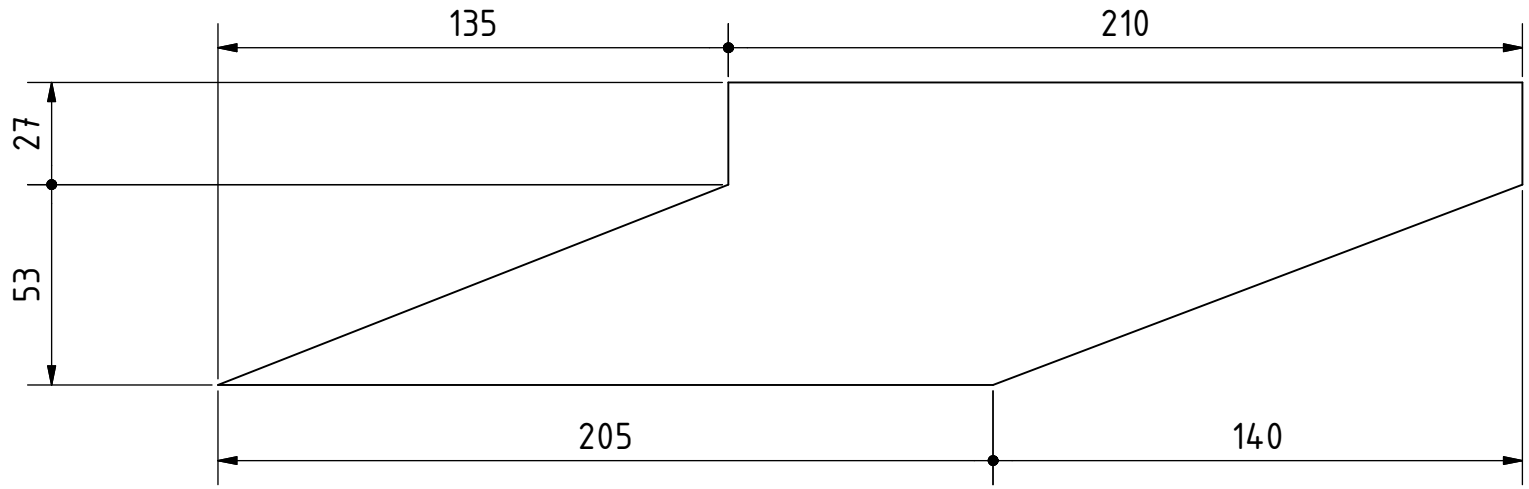


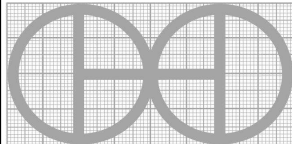
PROJECT	CREATED BY	APPROVED BY	DATE	VERSION
Vertical Drum Hemp Harvester	A. Morillo	D. Jaeger	12-04-2024	0.05
PART NAME	SPECIFICACIONES			CODE
Console for circular saw	Steel 235J2			3.3.0
DEVELOPED BY	REDESIGNED BY	FILENAME		QTY
		3.3.iam		6
		LICENSE	DOC. TYPE	SCALE
		CC-BY-SA 4.0	Assembly	1 : 4
Hanfasser				141 /147



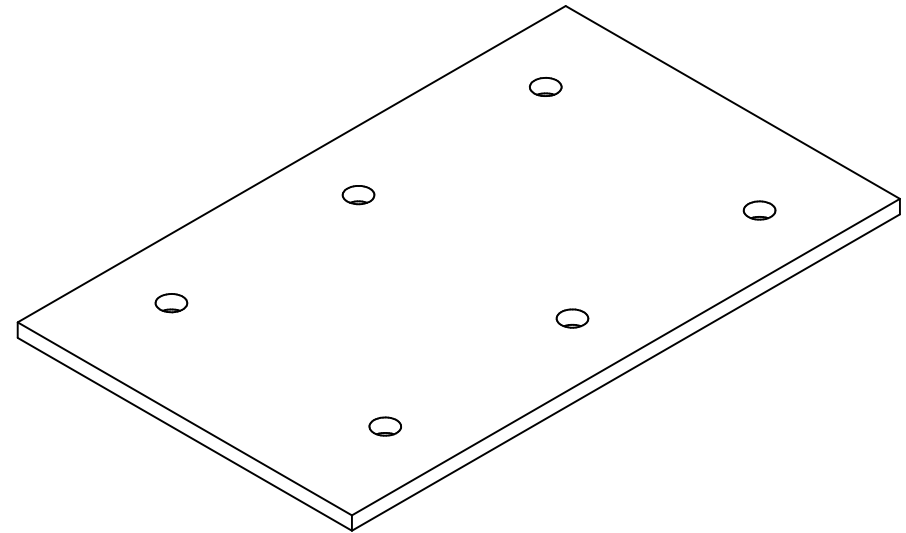
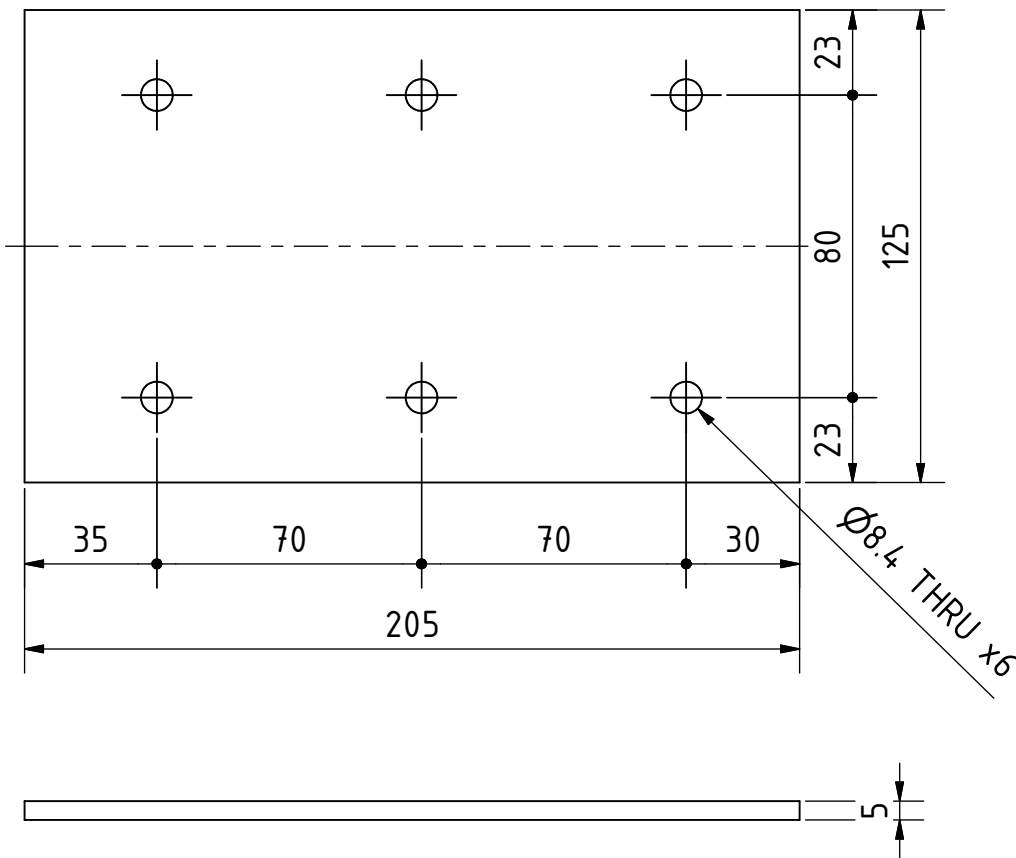
PROJECT	CREATED BY	APPROVED BY	DATE	VERSION	
Vertical Drum Hemp Harvester	A. Morillo	D. Jaeger	12-04-2024	0.05	
PART NAME	SPECIFICACIONES			CODE	
Console for circular saw	Steel 235J2			3.3.0	
DEVELOPED BY	REDESIGNED BY	FILENAME		QTY	
Hanfasser		3.3.ipn		6	
		LICENSE	DOC. TYPE	SCALE	SHEET
		CC-BY-SA 4.0	Assembly	2 : 5	142 /147

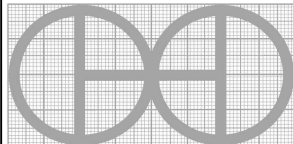
OHO e.V.

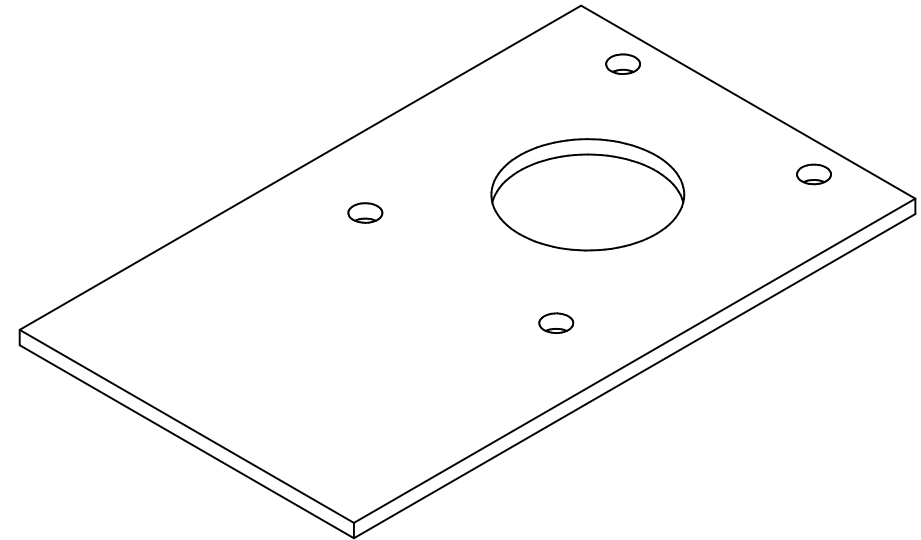
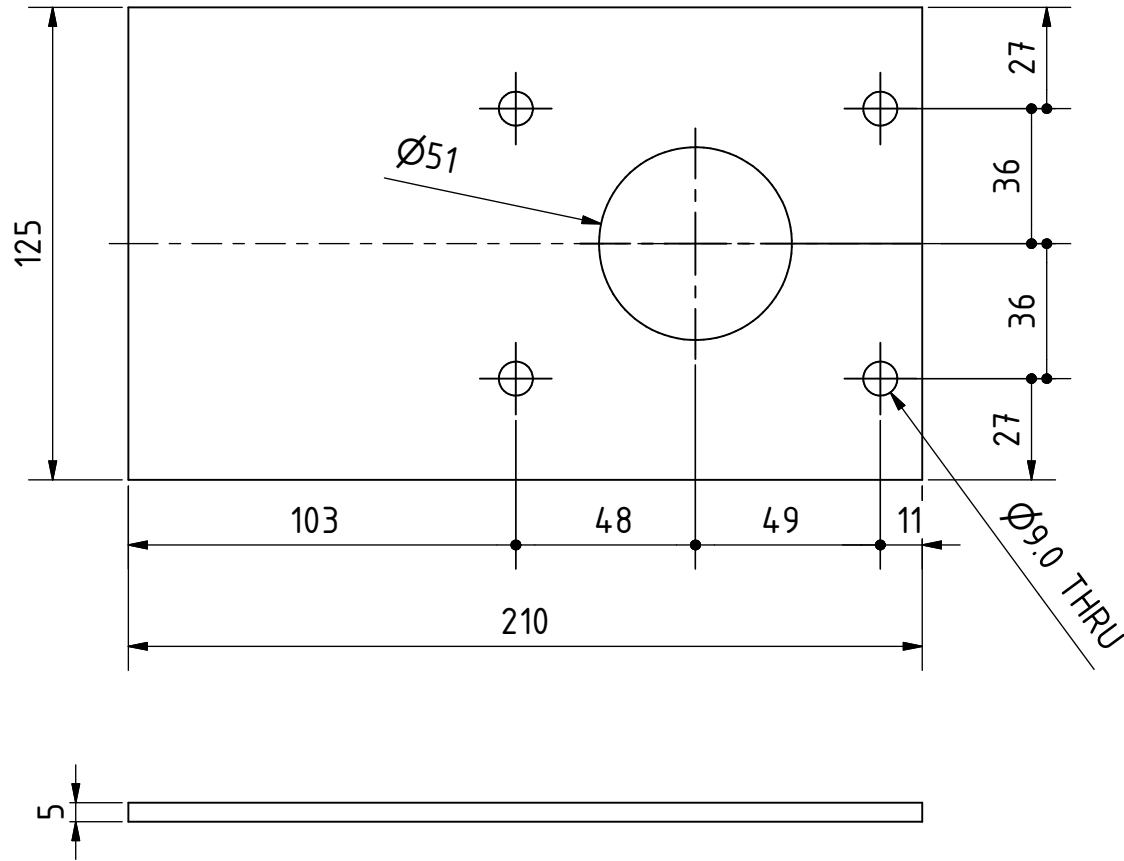


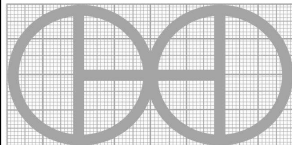
PROJECT	CREATED BY	APPROVED BY	DATE	VERSION	
Vertical Drum Hemp Harvester	A. Morillo	D. Jaeger	12-04-2024	0.05	
PART NAME	SPECIFICACIONES			CODE	
Plate 3.3.1	Steel 235J2			3.3.1	
DEVELOPED BY	REDESIGNED BY	FILENAME		QTY	
Hanfasser		3.3.1.ipt		12	
		LICENSE	DOC. TYPE	SCALE	SHEET
		CC-BY-SA 4.0	Part	1 : 2	143 /147

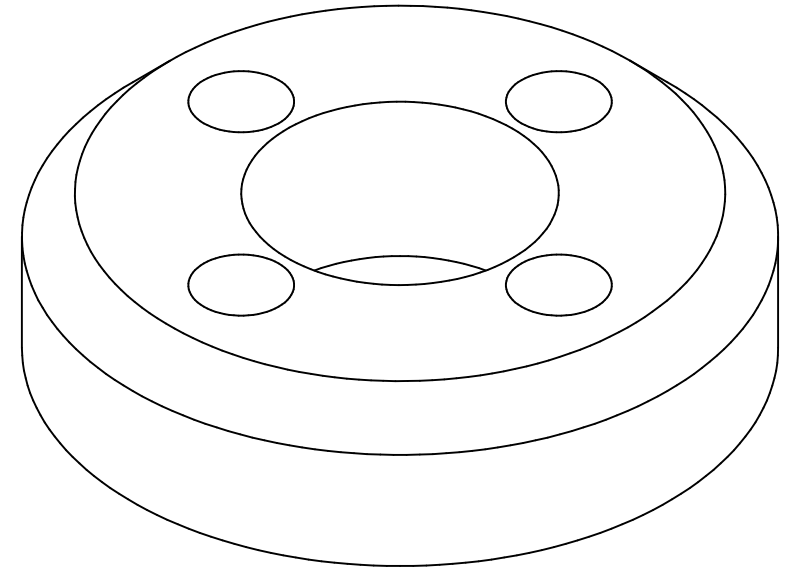
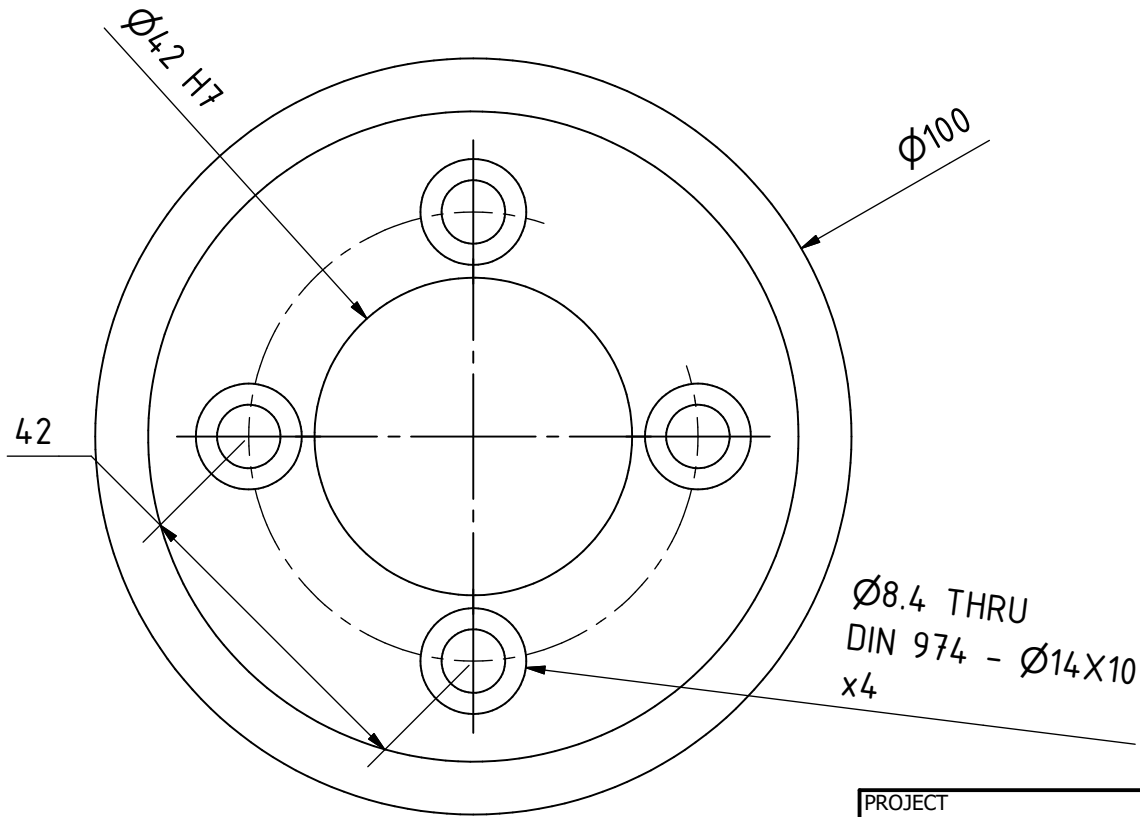
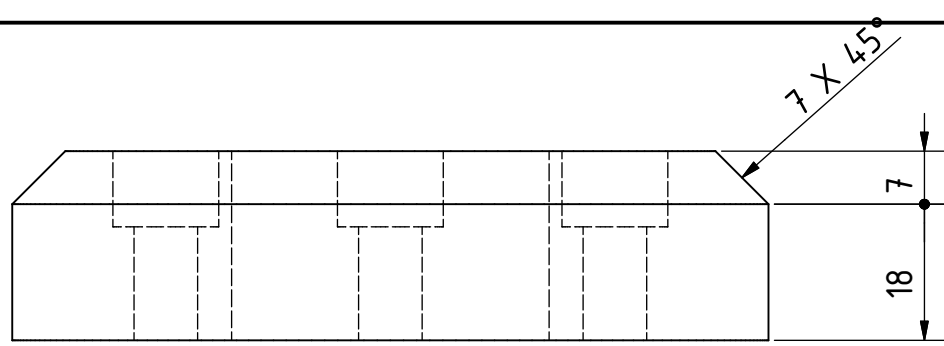
OHO e.V.

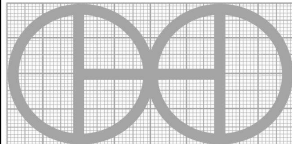


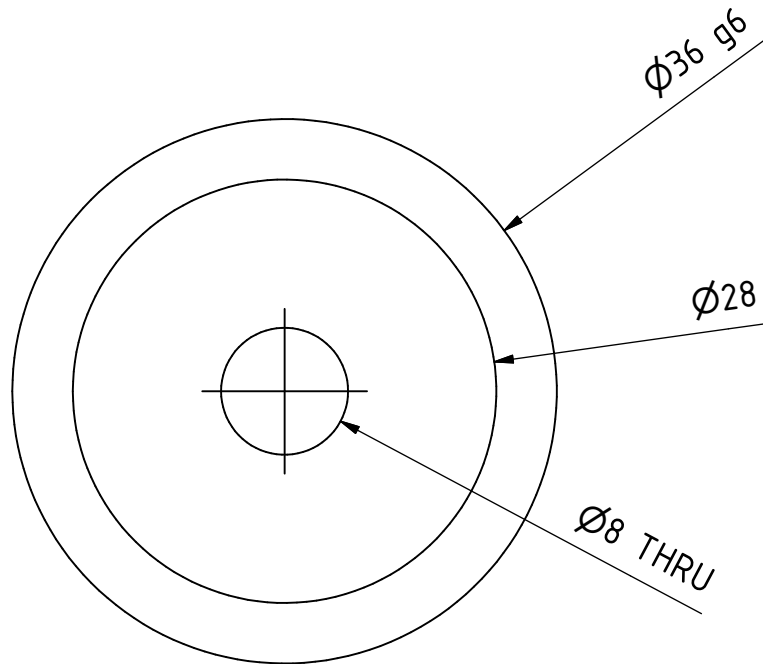
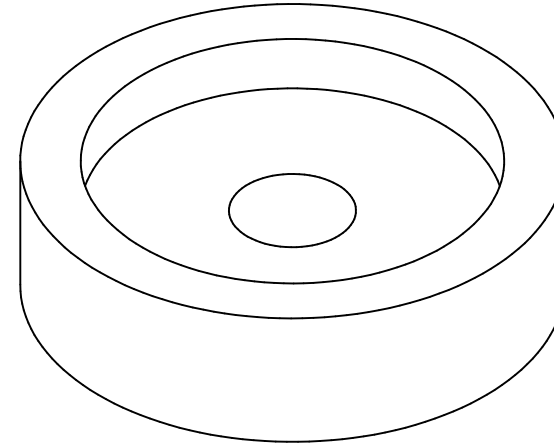
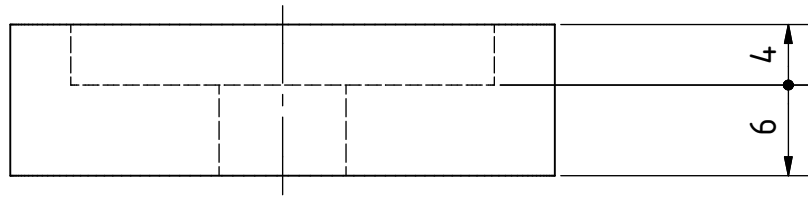
PROJECT	CREATED BY	APPROVED BY	DATE	VERSION	
Vertical Drum Hemp Harvester	A. Morillo	D. Jaeger	12-04-2024	0.05	
PART NAME	SPECIFICACIONES			CODE	
Plate 3.3.2	Steel 235J2			3.3.2	
DEVELOPED BY	REDESIGNED BY	FILENAME		QTY	
		3.3.2.ipt		6	
Hanfasser		LICENSE	DOC. TYPE	SCALE	SHEET
		CC-BY-SA 4.0	Part	1 : 2	144 /147

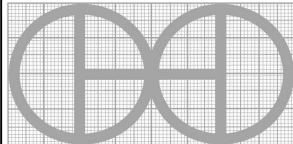


PROJECT	CREATED BY	APPROVED BY	DATE	VERSION
Vertical Drum Hemp Harvester	A. Morillo	D. Jaeger	12-04-2024	0.05
PART NAME	SPECIFICACIONES			CODE
Plate 3.3.3	Steel 235J2			3.3.3
DEVELOPED BY	REDESIGNED BY	FILENAME		QTY
		3.3.3.ipt		6
Hanfasser		LICENSE	DOC. TYPE	SCALE
		CC-BY-SA 4.0	Part	1 : 2
				SHEET
				145 /147



PROJECT	CREATED BY	APPROVED BY	DATE	VERSION
Vertical Drum Hemp Harvester	A. Morillo	D. Jaeger	12-04-2024	0.05
PART NAME	SPECIFICACIONES			CODE
Circular saw attachment upper part	Steel 235J2			3.4.0
DEVELOPED BY	REDESIGNED BY	FILENAME		QTY
		3.4.ipt		6
Hanfasser		LICENSE	DOC. TYPE	SCALE
		CC-BY-SA 4.0	Part	1 : 1
				SHEET
				146 /147



PROJECT	CREATED BY	APPROVED BY	DATE	VERSION	
Vertical Drum Hemp Harvester	A. Morillo	D. Jaeger	12-04-2024	0.05	
PART NAME	SPECIFICACIONES			CODE	
U Washer	Steel 235J2			3.5.0	
DEVELOPED BY	REDESIGNED BY	FILENAME		QTY	
Hanfasser		3.5.ipt		6	
		LICENSE	DOC. TYPE	SCALE	SHEET
		CC-BY-SA 4.0	Part	2 : 1	147 /147

OHO e.V.