
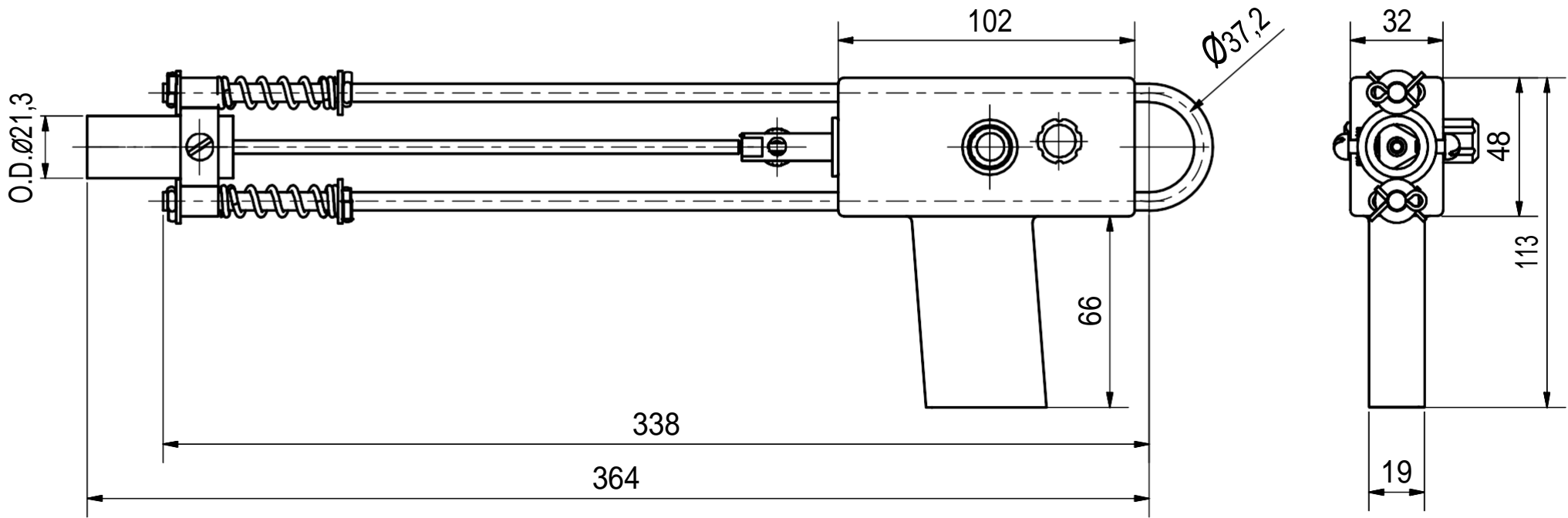


Note: All units in mm.

PROJECT	CREATED BY	APPROVED BY	DATE	VERSION
Welding gun multifuntional & diy	D. MOSQUERA	A. MORILLO	01/08/2021	1.0
PART NAME	FILE NAME			POS
3d views	oho_wg_A1-welding-gun-multifuntional-and-diy.iam			A1
PUBLISHED BY	DOC. TYPE	MATERIAL	QUANTITY	
 OPEN HARDWARE OBSERVATORY Free Blueprints for Sustainable Development OHO e.V.	Assembly		1	
	LICENCE	SCALE	SHEET	
	CC-BY-SA 4.0	1:1,5	1 /22	

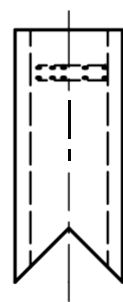
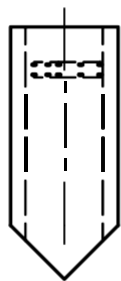
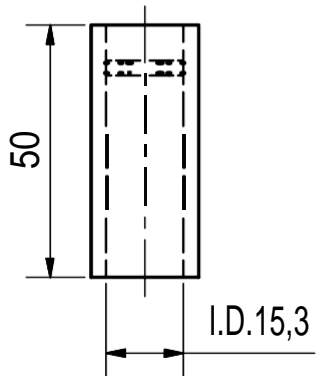
Based on drawings of Phillip M. Wilson



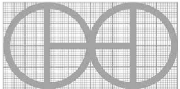
Nozzle flap

Inside corner

Outside corner



Note: All units in mm.

PROJECT	CREATED BY	APPROVED BY	DATE	VERSION
Welding gun multifunctional & diy	D. MOSQUERA	A. MORILLO	01/08/2021	1.0
PART NAME	FILE NAME			POS
3d views	oho_wg_A1-welding-gun-multifunctional-and-diy.iam			A1
PUBLISHED BY	DOC. TYPE	MATERIAL	QUANTITY	
 OPEN HARDWARE OBSERVATORY Free Blueprints for Sustainable Development	Assembly		1	
	LICENCE	SCALE	SHEET	
OHO e.V.	CC-BY-SA 4.0		2 / 22	