

F

E

D

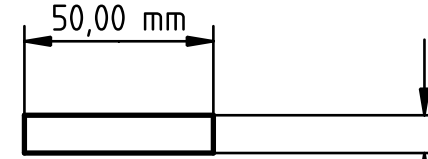
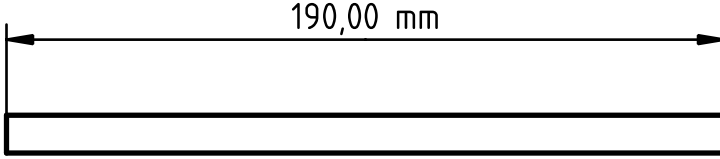
C

B

A

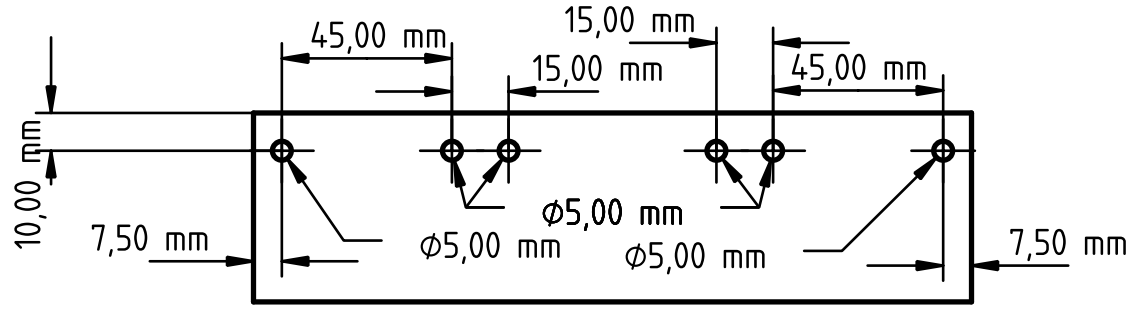
4

4



3

3



2

2

1

1

Note: For the holes (d=5mm) make a thread M6.
Alternatively you can also make a through hole (d=6.6mm) and use a longer M6 screw together with a screw nut on the other end.

DESIGNED BY: Lukas Winter		COSI Measure v1.0		G	-
DATE: 27.08.2018		Mechanical Assembly - plate 8		F	-
SIZE A4				E	-
				D	-
SCALE 1:2	WEIGHT (kg)	DRAWING NUMBER	SHEET 1/1	C	-
This drawing is our property; it can't be reproduced or communicated without our written consent.				B	-
				A	-

F

E

D