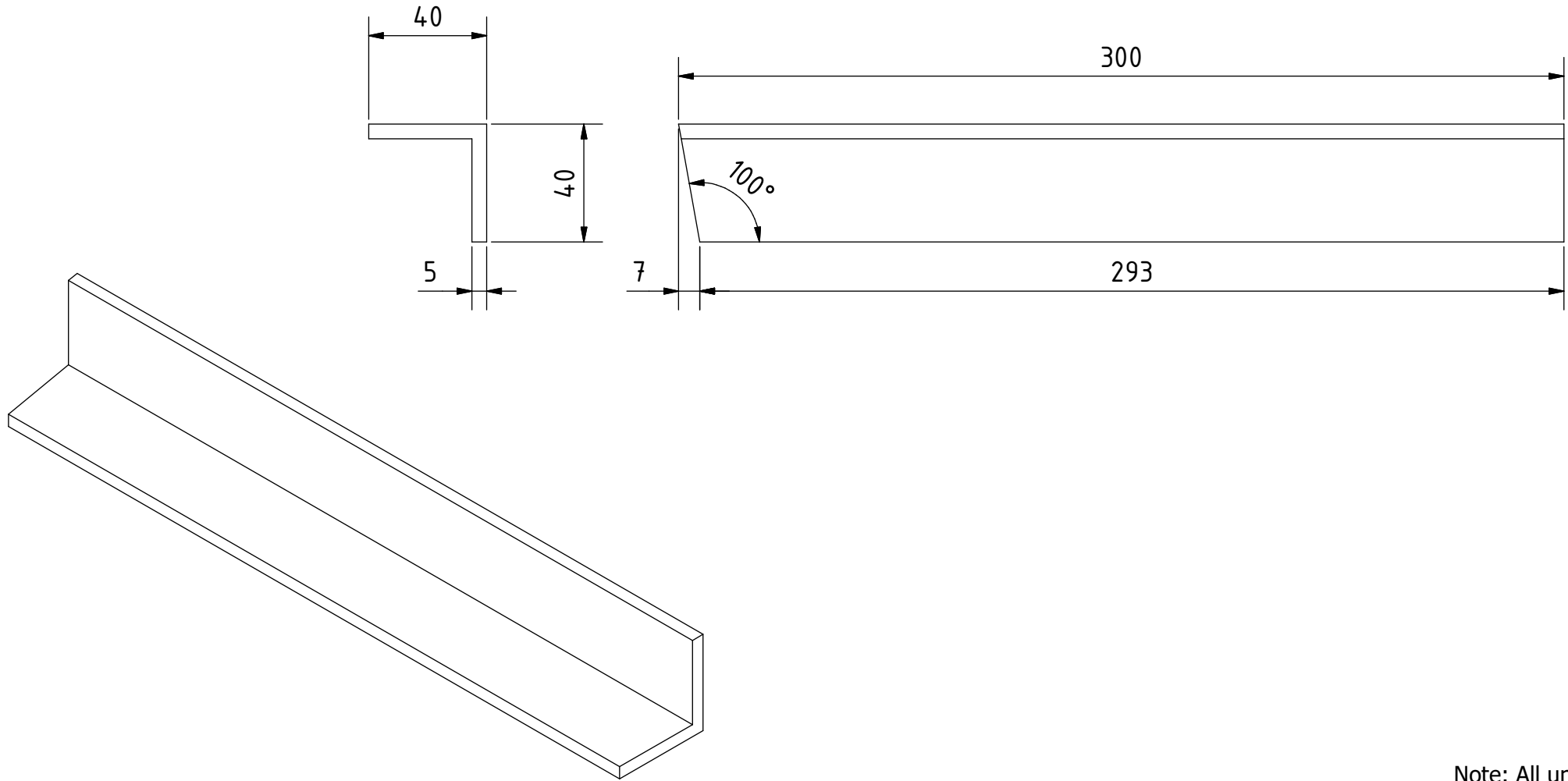
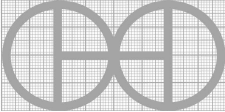


PLAN (1 : 2)



Note: All units in mm.

| | | | | |
|--------------|---|--------------|------------|----------|
| PROJECT | CREATED BY | APPROVED BY | DATE | VERSION |
| Forge Blower | J. Zeron | A. Morillo | 30/07/2021 | 1.0 |
| PART NAME | FILE NAME | | | POS |
| Frame base D | Frame base D.ipt | | | 4 |
| DEVELOPED BY | REDESIGNED BY | DOC. TYPE | MATERIAL | QUANTITY |
| |  | Part | Steel A36 | 1 |
| Apt Abatec | OHO e.V. | LICENCE | SCALE | SHEET |
| | | CC-BY-SA 4.0 | 1:2 | 6 /13 |