
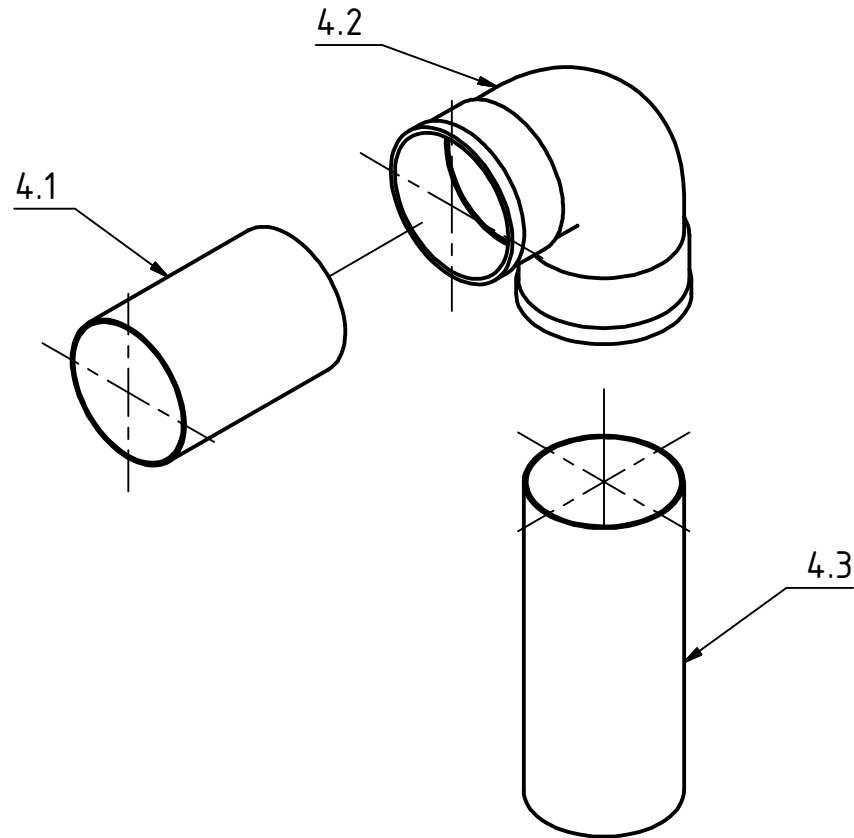



PROJECT		CREATED BY		APPROVED BY		DATE		VERSION	
Floating Dome Biodigstor		D.MOSQUERA		D. JAEGER		02-06-21		1.0	
PART NAME				FILE NAME				PART CODE	
Residue outlet				aid_fdb_residue-outlet.iam				4.0	
DEVELOPED BY			REDESIGNED BY			DOC. TYPE		MATERIAL	
Appropriate Infrastructure Development Group			 OPEN SOURCE ECOLOGY GERMANY			ASSEMBLY		1	
						LICENCE			
			OHO e.V.			CC-BY-SA 4.0		1:5	
								21 /40	



PROJECT		CREATED BY		APPROVED BY		DATE		VERSION	
Floating Dome Biodigester		D.MOSQUERA		D. JAEGER		02-06-21		1.0	
PART NAME			FILE NAME					PART CODE	
Residue outlet			aid_fdb_residue-outlet.ipn					4.0	
DEVELOPED BY		REDESIGNED BY		DOC. TYPE		MATERIAL		QUANTITY	
Appropriate Infrastructure Development Group		 OPEN SOURCE ECOLOGY GERMANY		ASSEMBLY				1	
				LICENCE				SCALE	
		OHO e.V.		CC-BY-SA 4.0		1:5		22 /40	