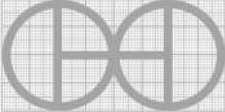
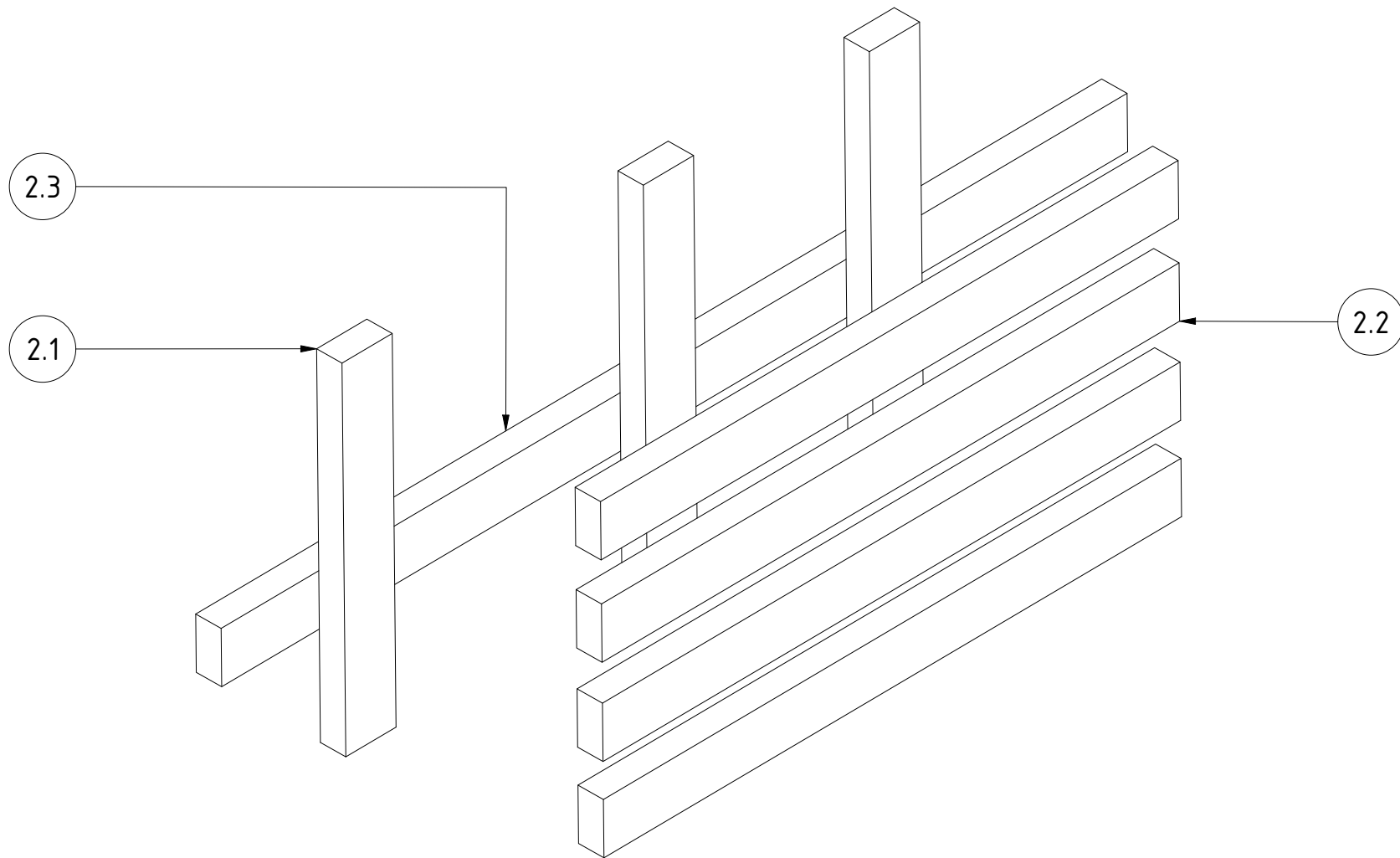
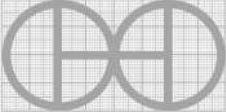


Note: All units in mm.

PROJECT	CREATED BY	APPROVED BY	DATE	VERSION
Hay and Leaf Baler	J. Rosciano	A. Morillo	10/08/2021	1.1
PART NAME	FILE NAME			POS
Chamber side assembly	2.0_Chamber side assembly.iam			2.0
DEVELOPED BY	REDESIGNED BY	DOC. TYPE	MATERIAL	QUANTITY
		Assembly		2
Larry McWilliams	OHO e.V.	LICENCE	SCALE	SHEET
		CC-BY-SA 4.0	1/14	11 /44



PROJECT	CREATED BY	APPROVED BY	DATE	VERSION
Hay and Leaf Baler	J. Rosciano	A. Morillo	10/08/2021	1.1
PART NAME	FILE NAME			POS
Chamber side assembly	2.0_Chamber side assembly.ipn			2.0
DEVELOPED BY	REDESIGNED BY	DOC. TYPE	MATERIAL	QUANTITY
		Assembly		2
Larry McWilliams	OHO e.V.	LICENCE	SCALE	SHEET
		CC-BY-SA 4.0	1/9	12 /44