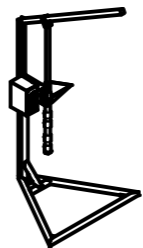
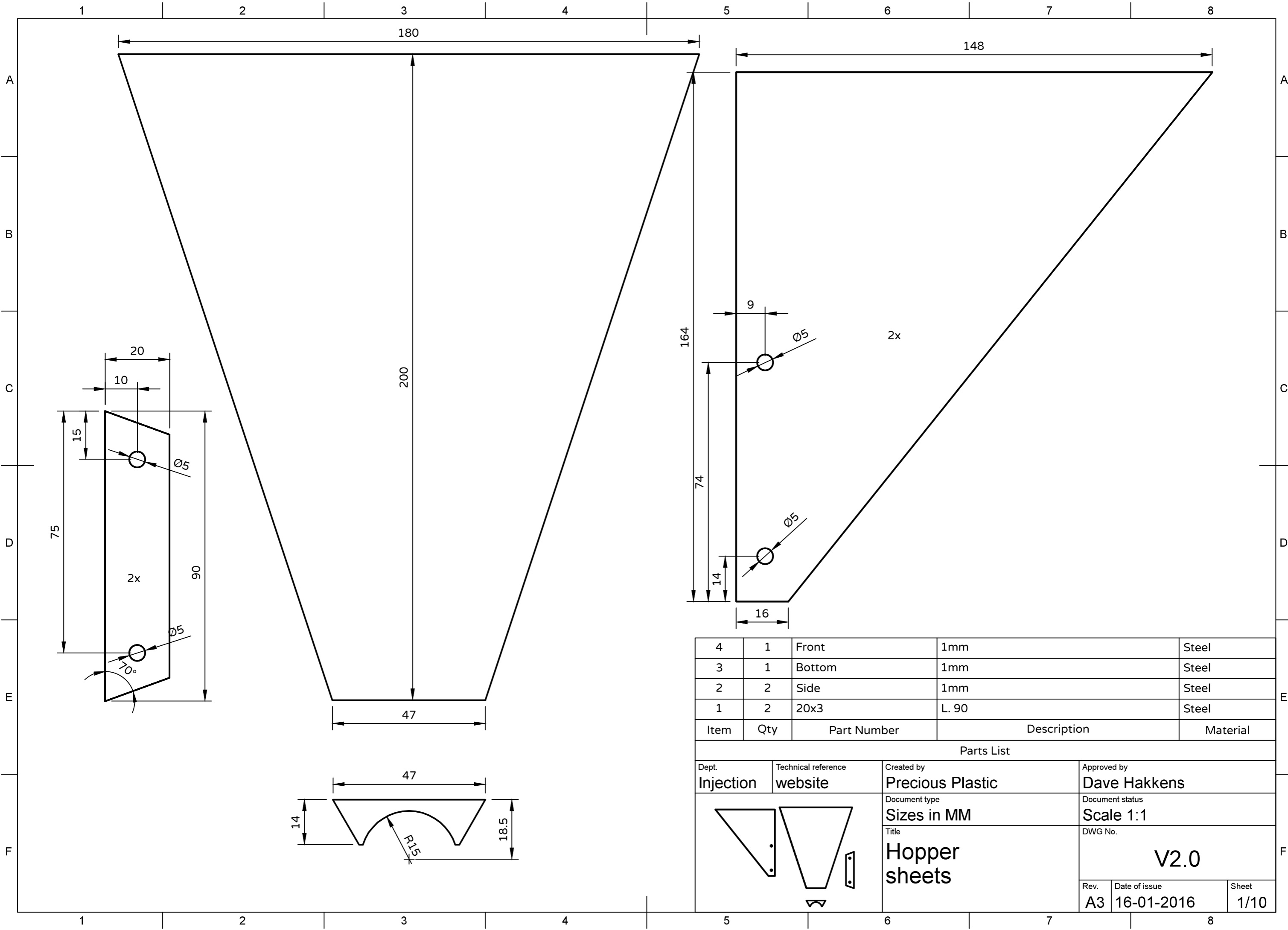
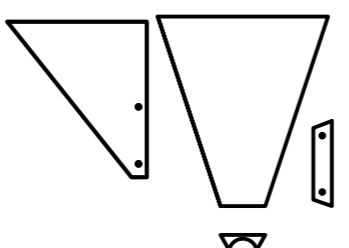
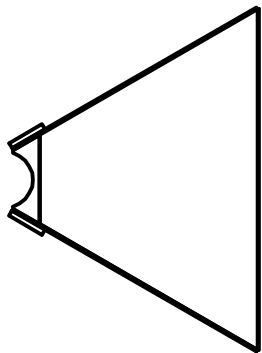
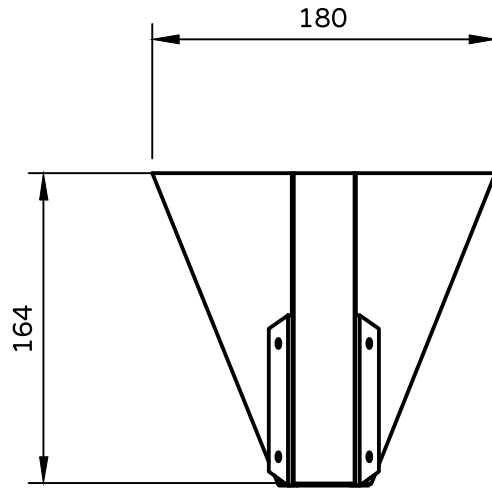
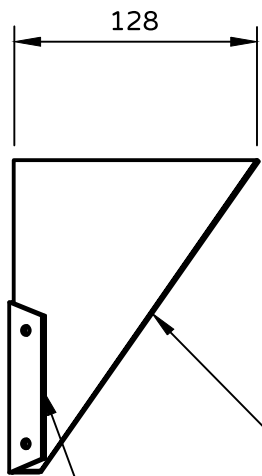


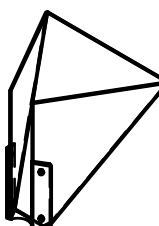
Dept. <b>Injection</b>	Technical reference <b>website</b>	Created by <b>Precious Plastic</b>	Approved by <b>Dave Hakkens</b>
	Document type <b>Sizes in MM</b>	Document status <b>scale: 1:16</b>	
	Title <b>Injection overview</b>	DWG No. <b>V2.0</b>	
		Rev. <b>1</b>	Date of issue <b>16-01-2016</b>

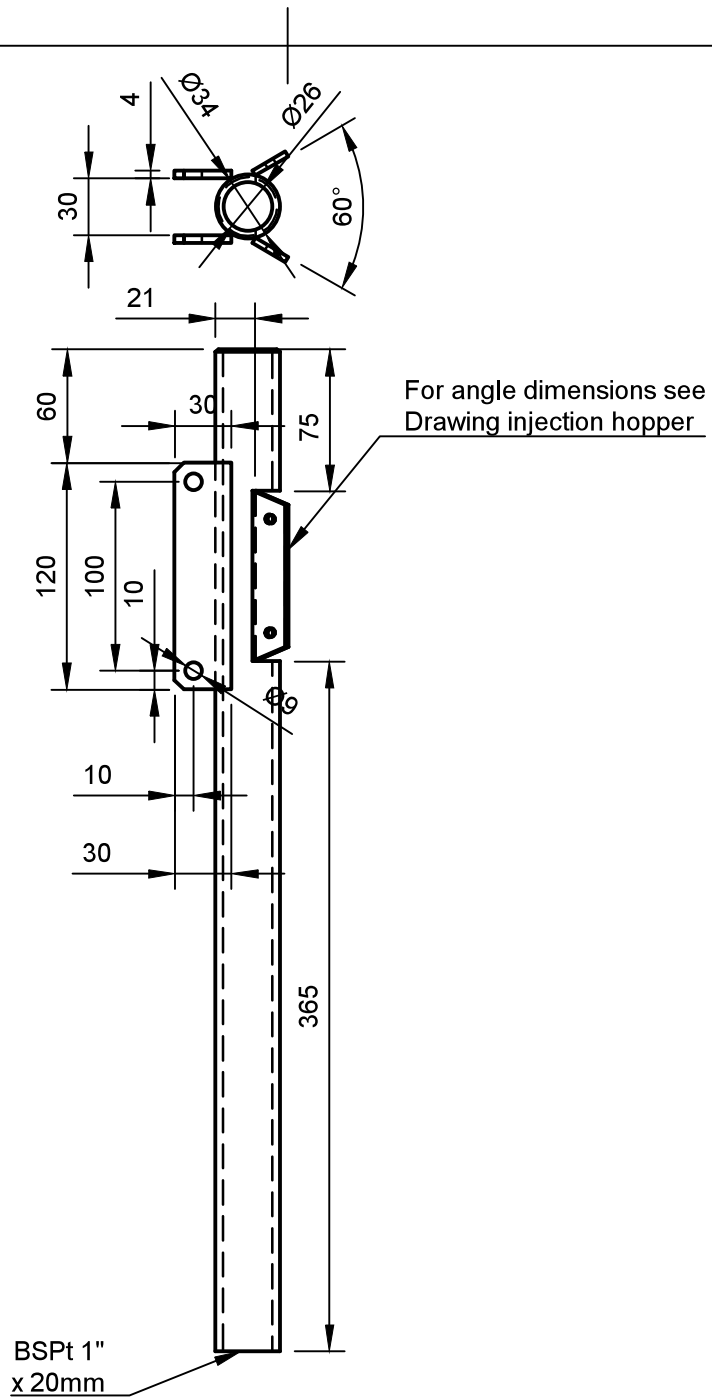


4	1	Front	1mm	Steel
3	1	Bottom	1mm	Steel
2	2	Side	1mm	Steel
1	2	20x3	L. 90	Steel
Item	Qty	Part Number	Description	Material

Parts List			
Dept. Injection	Technical reference website	Created by Precious Plastic	Approved by Dave Hakkens
		Document type Sizes in MM	Document status Scale 1:1
		Title Hopper sheets	DWG No. <b>V2.0</b>
Rev. A3	Date of issue 16-01-2016	Sheet 1/10	

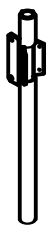


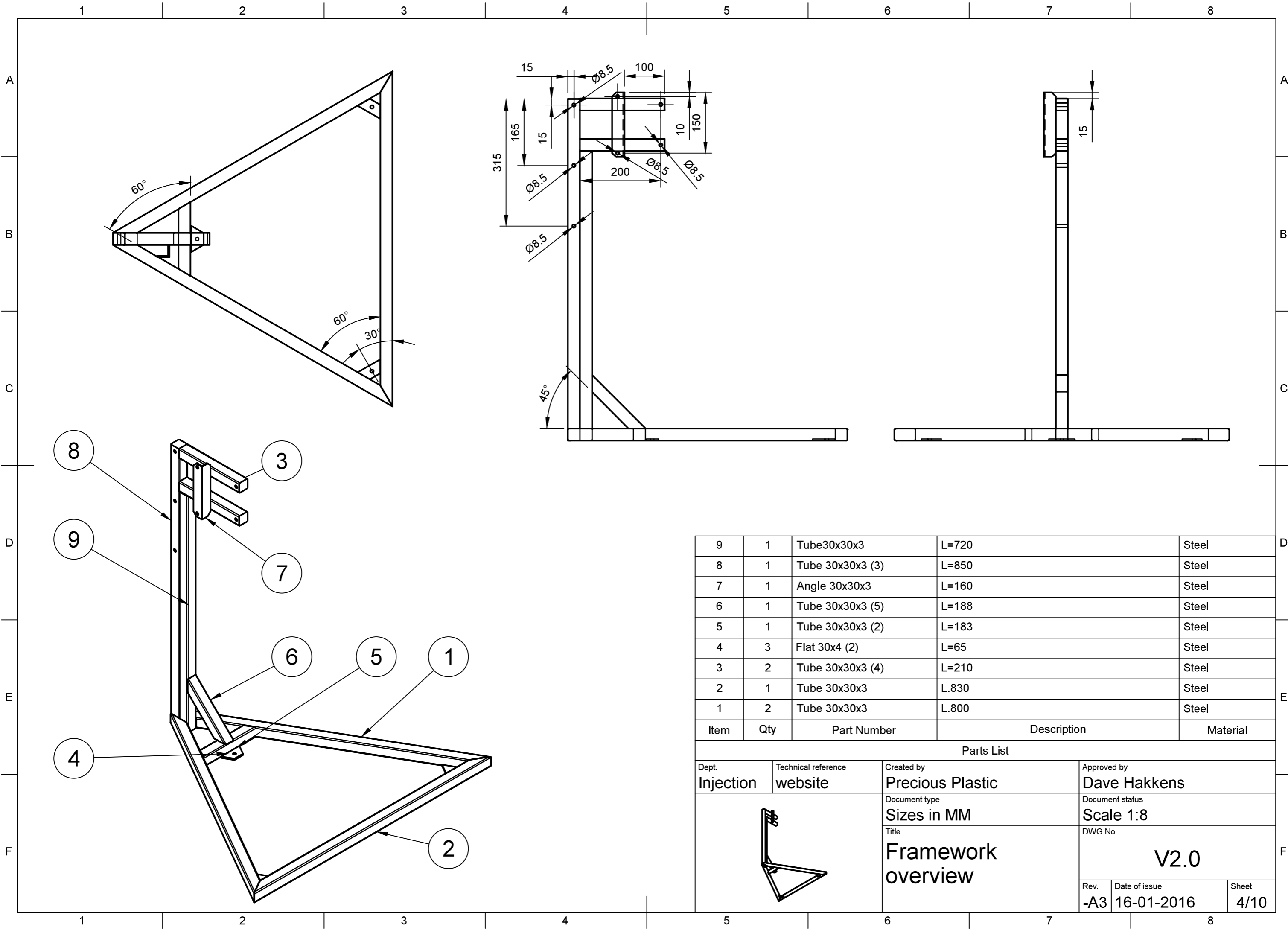
Dept. <b>Injection</b>	Technical reference <b>website</b>	Created by <b>Precious Plastic</b>	Approved by <b>Dave Hakkens</b>	
		Document type <b>Sizes in MM</b>	Document status <b>Scale 1:4</b>	
		Title <b>Hopper assembled</b>	DWG No. <b>V2.0</b>	
		Rev. <b>A4</b>	Date of issue <b>16-01-2016</b>	Sheet <b>2/10</b>



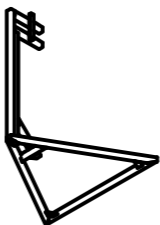
4	2	Flat 30x4	L. 120	Steel
1	1	Tube 34x26	L=530	Steel
Item	Qty	Part Number	Description	Material

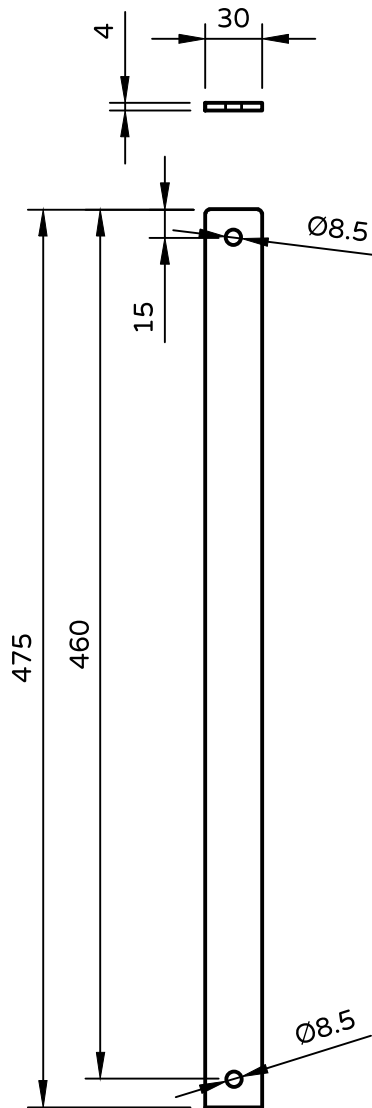
Parts List

Dept. <b>Injection</b>	Technical reference <b>Website</b>	Created by <b>Precious Plastic</b>	Approved by <b>Dave Hakkens</b>
	Document type <b>Sizes in MM</b>	Document status <b>Scale 1:4</b>	DWG No.
	Title <b>Barrel</b>	<b>V2.0</b>	
	Rev. <b>A4</b>	Date of issue <b>16-01-2016</b>	Sheet <b>3/10</b>




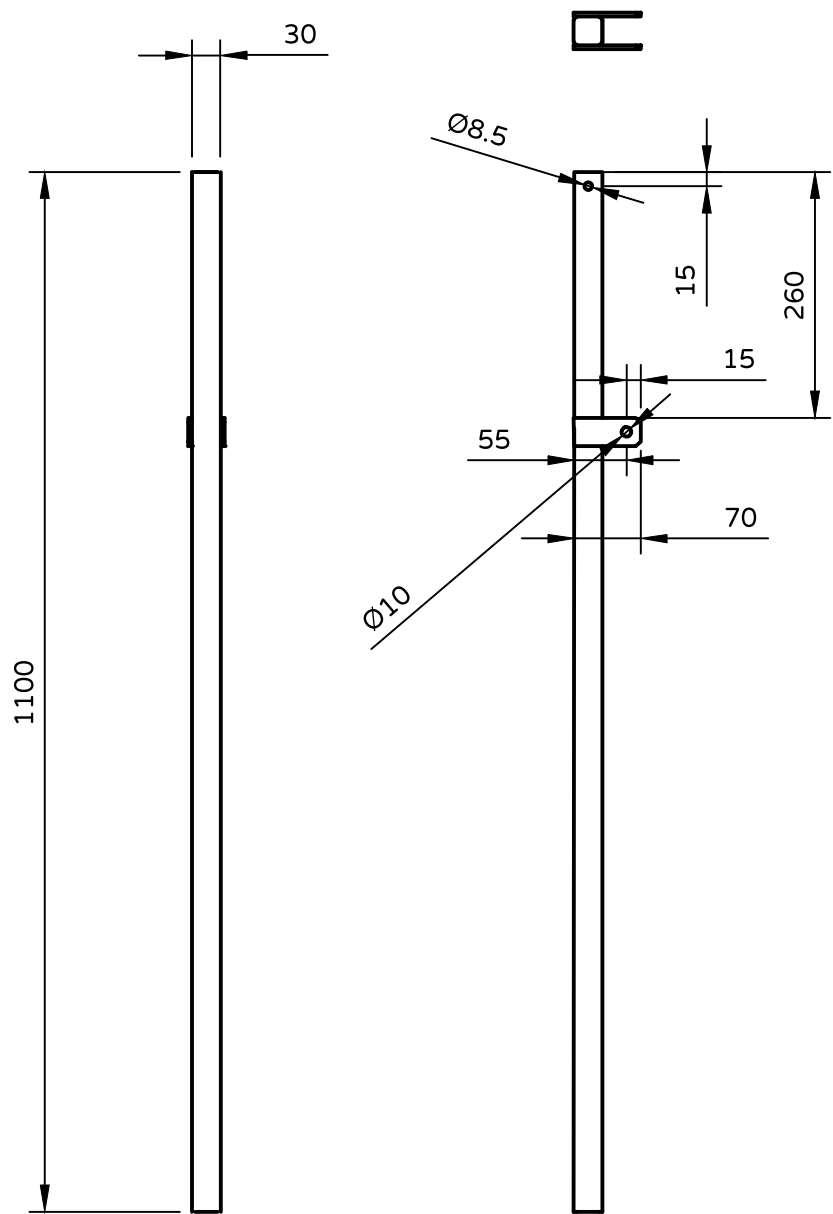
9	1	Tube30x30x3	L=720	Steel
8	1	Tube 30x30x3 (3)	L=850	Steel
7	1	Angle 30x30x3	L=160	Steel
6	1	Tube 30x30x3 (5)	L=188	Steel
5	1	Tube 30x30x3 (2)	L=183	Steel
4	3	Flat 30x4 (2)	L=65	Steel
3	2	Tube 30x30x3 (4)	L=210	Steel
2	1	Tube 30x30x3	L.830	Steel
1	2	Tube 30x30x3	L.800	Steel
Item	Qty	Part Number	Description	Material

Parts List			
Dept. Injection	Technical reference website	Created by Precious Plastic	Approved by Dave Hakkens
		Document type Sizes in MM	Document status Scale 1:8
		Title Framework overview	DWG No. V2.0
Rev. -A3	Date of issue 16-01-2016	Sheet 4/10	



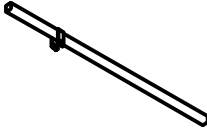
2x

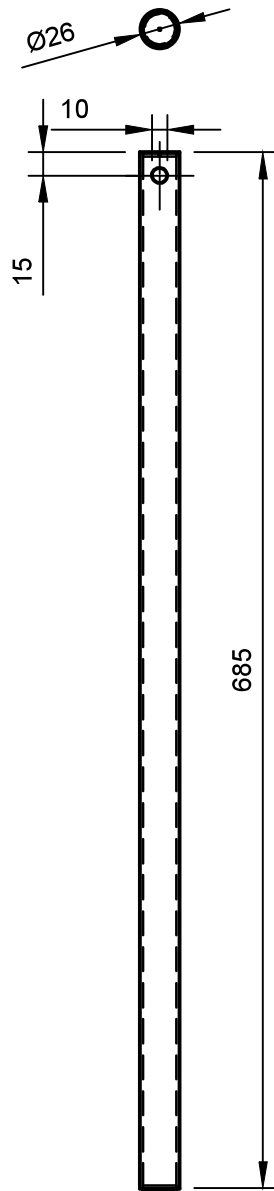
1	1	30x4	L=475	Steel
Item	Qty	Part Number	Description	Material
Parts List				
Dept. Injection	Technical reference website	Created by Precious Plastic	Approved by Dave Hakkens	
	Document type Sizes in MM		Document status Scale 1:4	
	Title Framework -Pull rod 2X		DWG No.  V2.0	
	Rev. a4	Date of issue 16-01-2016	Sheet 5/10	



2	1	Tube 30x30x3 (1)	L.1100	Steel
1	2	Flat 30x4 (1)	L.70	Steel
Item	Qty	Part Number	Description	Material


Parts List

Dept. <b>Injection</b>	Technical reference <b>website</b>	Created by <b>Precious Plastic</b>	Approved by <b>Dave Hakkens</b>
	Document type <b>Sizes in MM</b>	Document status <b>scale 1:8</b>	
	Title <b>Framework Lever</b>	DWG No. <b>V2.0</b>	
	Rev. <b>a4</b>	Date of issue <b>16-01-2016</b>	Sheet <b>6/10</b>

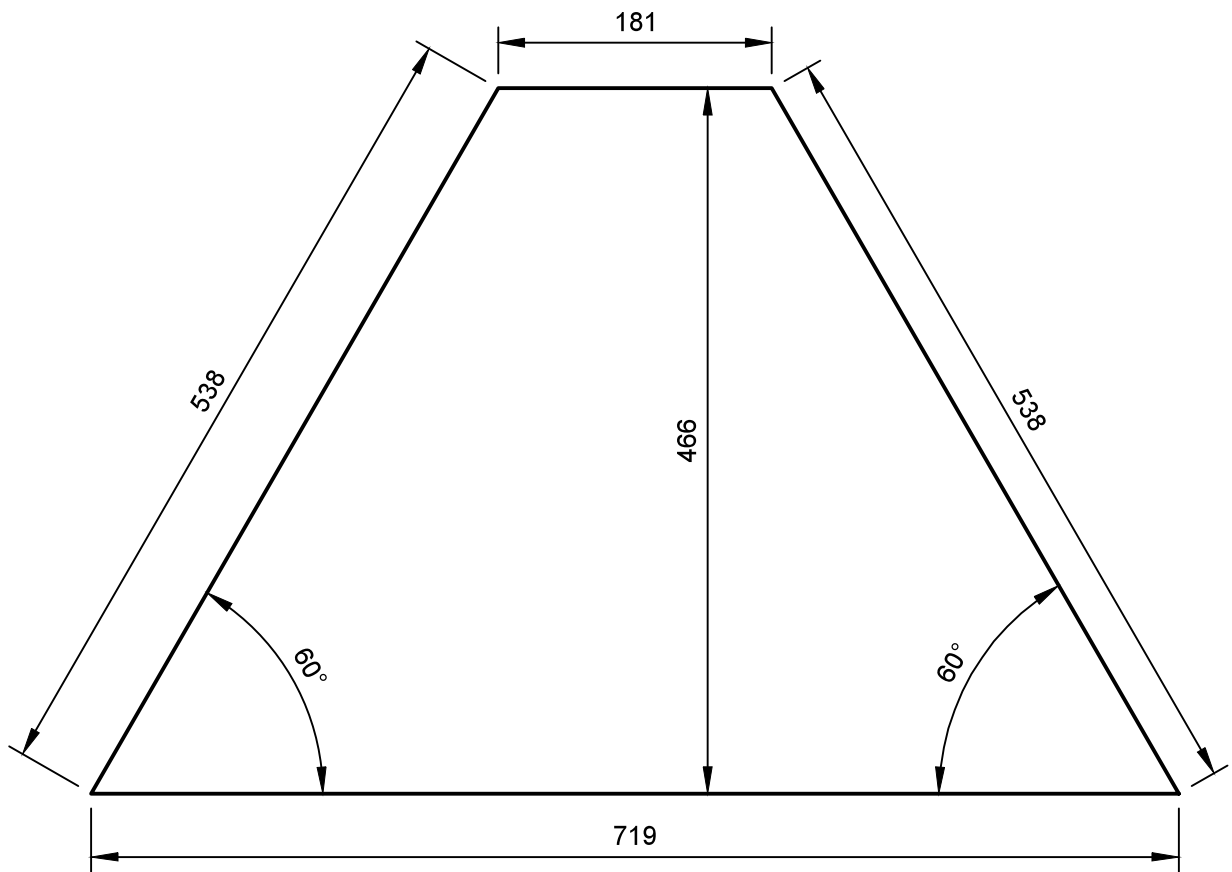


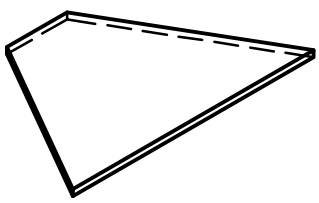
3	1	Tube 26x2	L=685	Steel
2	1	Plug		Steel
1	1	Plug (1)		Steel
Item	Qty	Part Number	Description	Material

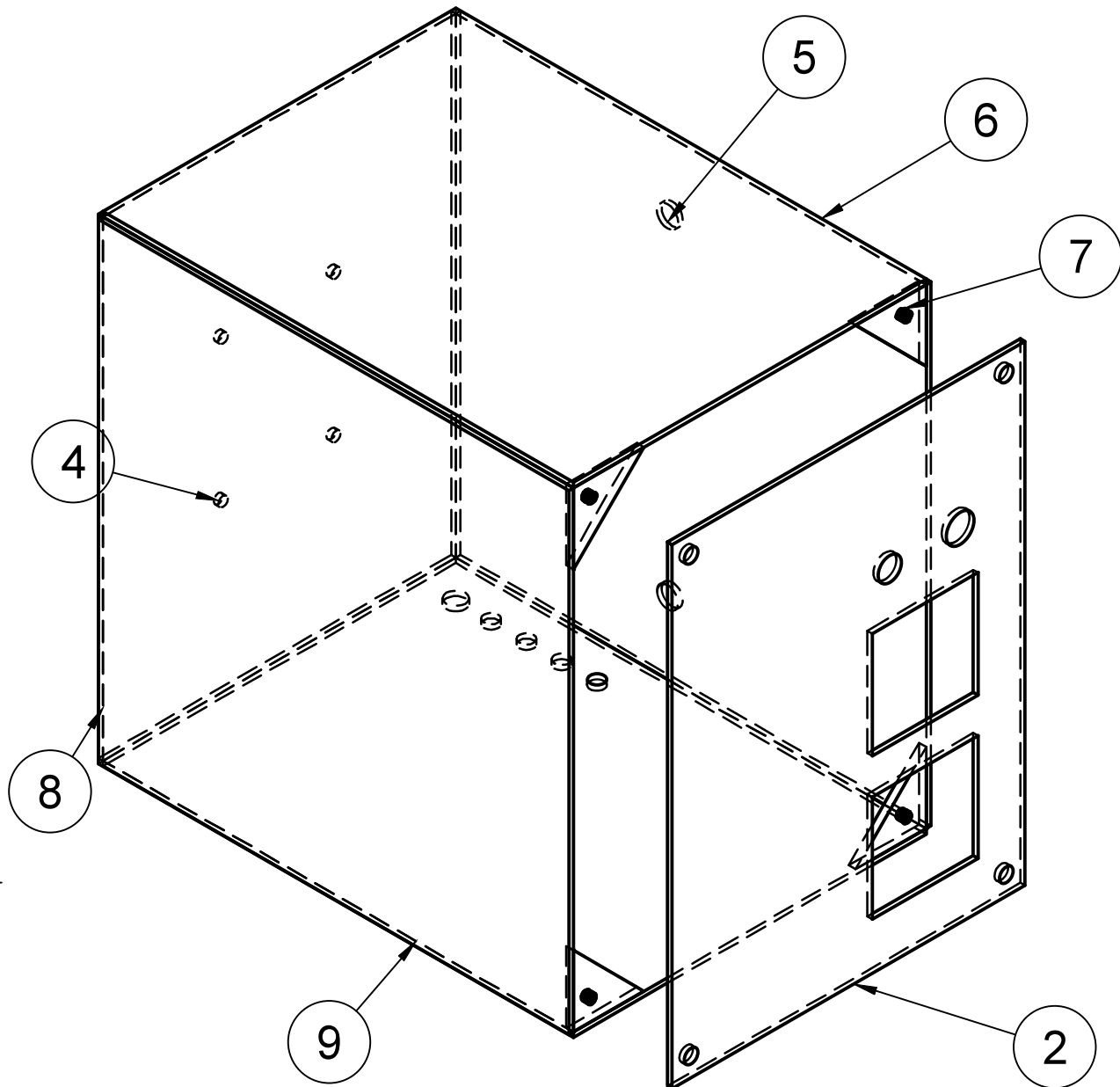
**Parts List**

Dept. <b>Injection</b>	Technical reference <b>Website</b>	Created by <b>PreciousPlastic</b>	Approved by <b>Dave Hakkens</b>
	Document type <b>Sizes in mm</b>	Document status <b>Scale 1:5</b>	
	Title <b>Framework Plunger</b>	DWG No. <b>V2.0</b>	
	Rev. <b>a4</b>	Date of issue <b>16-01-2016</b>	Sheet <b>7/10</b>



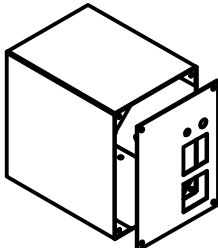


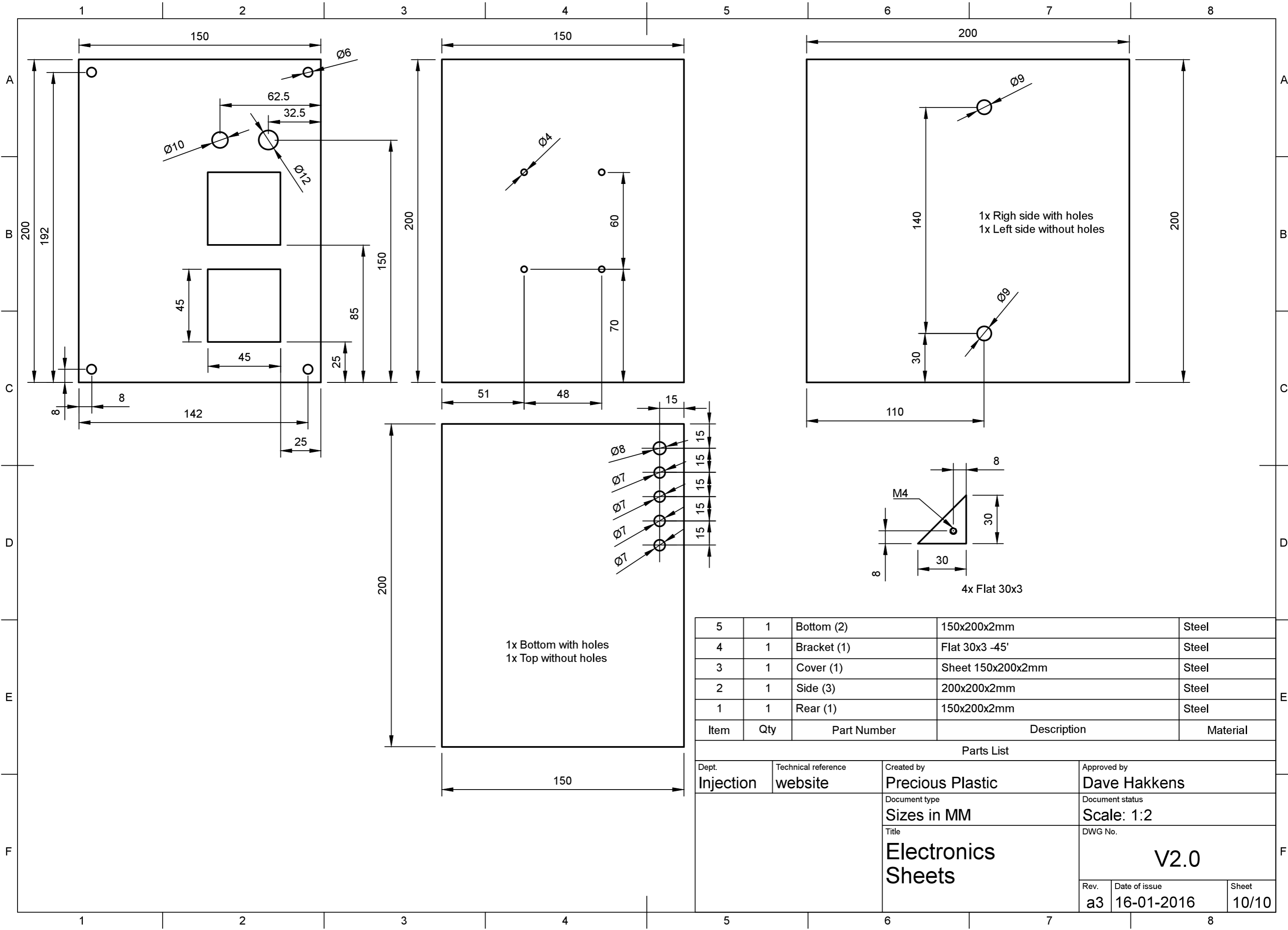
Dept. <b>Injection</b>	Technical reference <b>website</b>	Created by <b>Precious Plastic</b>	Approved by <b>Dave Hakkens</b>	
		Document type <b>Sizes in MM</b>	Document status <b>Scale 1:5</b>	
		Title <b>Framework Wooden Base</b>	DWG No. <b>V2.0</b>	
		Rev. <b>a4</b>	Date of issue <b>16-01-2016</b>	Sheet <b>8/10</b>



9	1	Bottom	150x200x2mm	Steel
8	1	Side (2)	200x200x2mm	Steel
7	4	Bracket	Flat 30x3 -45'	Steel
6	1	Top	150x200x2mm	Steel
5	1	Side	200x200x2mm	Steel
4	1	Rear	150x200x2mm	Steel
2	1	Cover	Sheet 150x200x2mm	Steel
Item	Qty	Part Number	Description	Material

Parts List

Dept. <b>Injection</b>	Technical reference <b>website</b>	Created by <b>Precious Plastic</b>	Approved by <b>Dave Hakkens</b>
	Document type <b>Sizes in MM</b>	Document status <b>Scale 1:2</b>	
	Title <b>Electronics Assembly</b>	DWG No. <b>V2.0</b>	
	Rev. <b>a4</b>	Date of issue <b>16-01-2016</b>	Sheet <b>9/10</b>



Parts List				
Item	Qty	Part Number	Description	Material
5	1	Bottom (2)	150x200x2mm	Steel
4	1	Bracket (1)	Flat 30x3 -45'	Steel
3	1	Cover (1)	Sheet 150x200x2mm	Steel
2	1	Side (3)	200x200x2mm	Steel
1	1	Rear (1)	150x200x2mm	Steel

Dept. <b>Injection</b>	Technical reference <b>website</b>	Created by <b>Precious Plastic</b>	Approved by <b>Dave Hakkens</b>
		Document type <b>Sizes in MM</b>	Document status <b>Scale: 1:2</b>
		Title <b>Electronics Sheets</b>	DWG No. <b>V2.0</b>
Rev. <b>a3</b>	Date of issue <b>16-01-2016</b>	Sheet <b>10/10</b>	

