
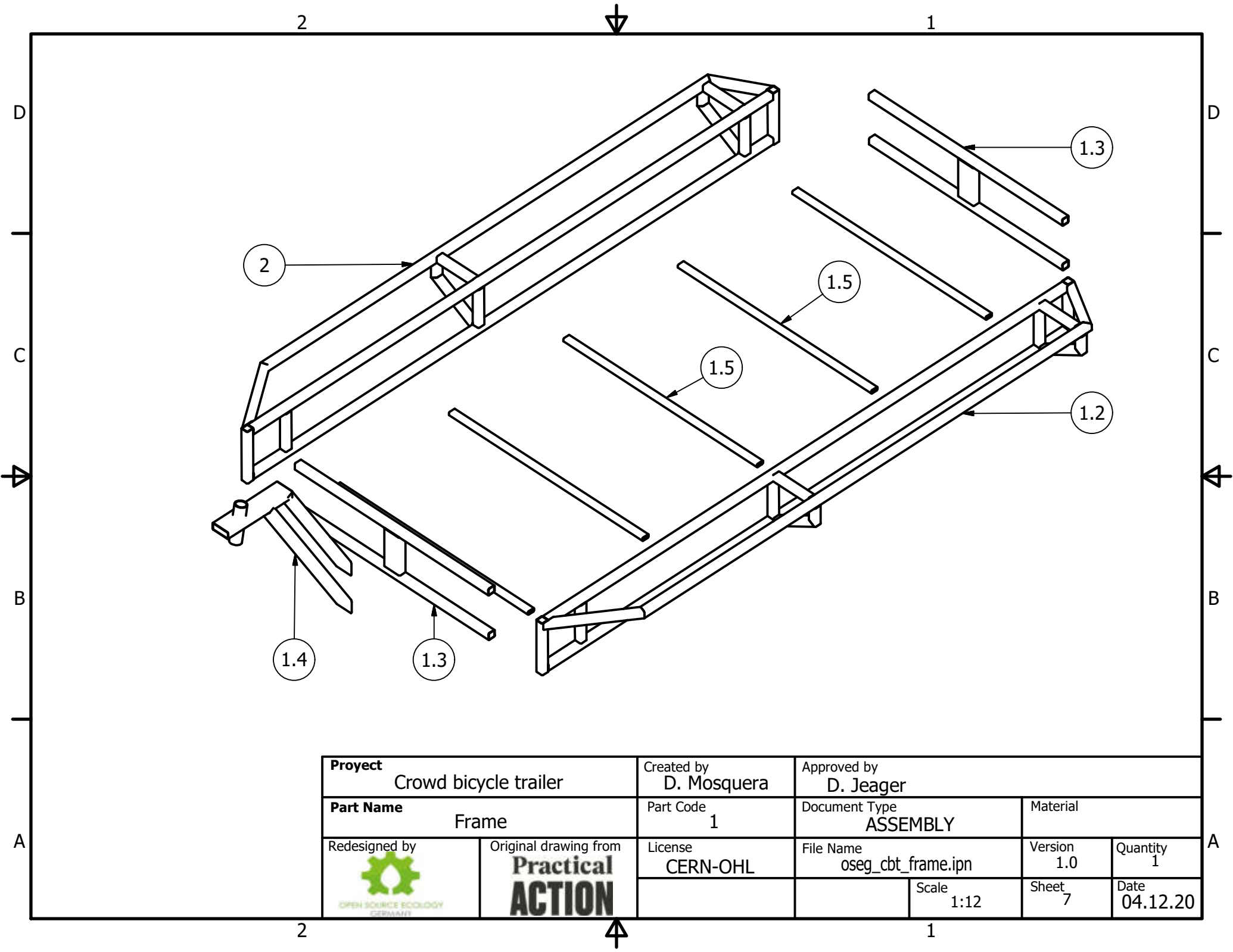



<b>Project</b> Crowd bicycle trailer		Created by D. Mosquera		Approved by D. Jeager	
<b>Part Name</b> Frame		Part Code 1		Document Type ASSEMBLY	
Redesigned by  OPEN SOURCE ECOLOGY GERMANY		Original drawing from <b>Practical ACTION</b>		License CERN-OHL	
		File Name oseg_cbt_frame.iam		Version 1.0	
		Scale 1:12		Quantity 1	
				Sheet 6	
				Date 04.12.20	



<b>Project</b> Crowd bicycle trailer		Created by <b>D. Mosquera</b>		Approved by <b>D. Jeager</b>	
<b>Part Name</b> Frame		Part Code 1	Document Type <b>ASSEMBLY</b>		Material
Redesigned by  OPEN SOURCE ECOLOGY GERMANY	Original drawing from <b>Practical ACTION</b>	License CERN-OHL	File Name oseg_cbt_frame.ipn	Version 1.0	Quantity 1
			Scale 1:12	Sheet 7	Date 04.12.20