
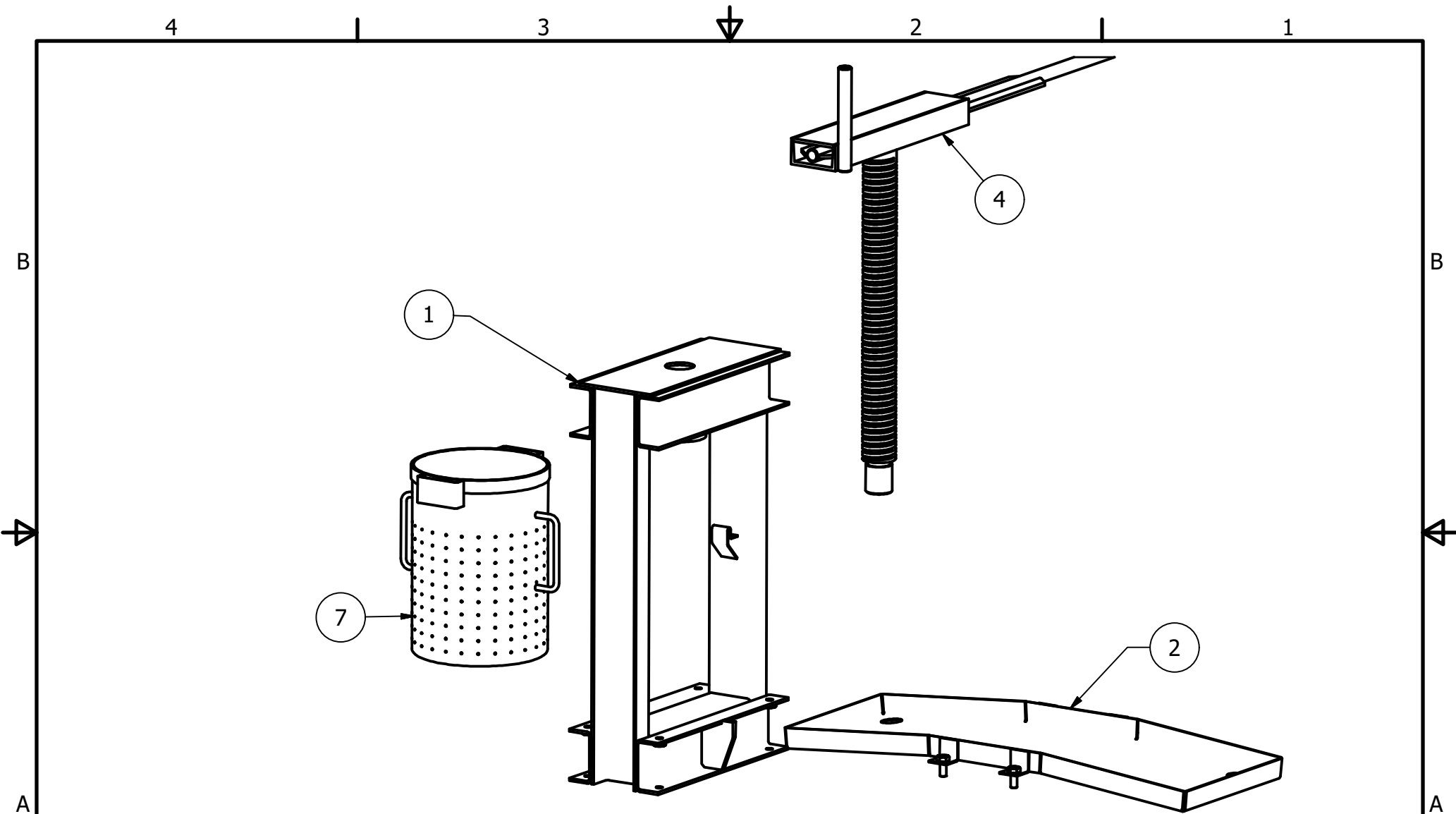




Project		SCREW PRESS	Created by D. Mosquera		Approved by D. Jeager	
Part Name		SCREW PRESS	Part Code	Document Type ASSEMBLY	Material	
 OPEN SOURCE ECOLOGY GERMANY	Open Source Ecology e.V. Knobelsdorffstr. 22 14059 Berlin www.ose-germany.de +49 (0) 30 / 92282426		License CERN-OHL	File Name oseg_sp_A_srew-press.iam	Version 1.0	Quantity
					Scale 1:8	Sheet 1/30



Project	SCREW PRESS	Created by D. Mosquera	Approved by D. Jeager		
Part Name	SCREW PRESS	Part Code	Document Type ASSEMBLY	Material	
 OPEN SOURCE ECOLOGY GERMANY	Open Source Ecology e.V Knobelsdorffstr. 22 14059 Berlin www.ose-germany.de +49 (0) 30 / 92282426	License CERN-OHL	File Name oseg_sp_A_srew-press.ipn	Version 1.0	Quantity
			Scale 1:10	Sheet 2/30	Date 14.10.20

PART LIST							
Pos.	P.Old	Qty.	Part name	File name	Part type	Specifications	Sheet
A			SCREW PRESS	oseg_sp_A_srew-press.	Assembly		1/30
B			Parts list	oseg_sp_B_parts-list.			2/30
1	3	1	Main frame	oseg_sp_1_main-frame.iam	Assembly		3/30
1.1		1	Horizontal front base	oseg_sp_1.1_horizontal-front-base.ipt	Part	STEEL PROFILE UP 100 x 50	4/30
1.2		1	Horizontal base	oseg_sp_1.2_horizontal-base.ipt	Part	STEEL PROFILE UP 100 x 50	5/30
1.3		1	Profile column	oseg_sp_1.3_profile-column.ipt	Part	STEEL PROFILE UP 100 x 50	6/30
1.4		1	Upper frame profile	oseg_sp_1.4_upper-frame-profile.ipt	Part	STEEL PROFILE UP 100 x 50	7/30
1.5		1	Upper sheet	oseg_sp_1.5_upper-sheet.ipt	Part	Sheet e:6.0 mm-Stainless Steel A-306	8/30
1.6		1	Base reinforcement	oseg_sp_1.6_base-reinforcement.ipt	Part	Sheet e:6.0 mm-Stainless Steel A-306	9/30
1.7		1	Socalo nut	oseg_sp_1.7_socalo-nut.ipt	Part	Barr D:100.0 mm Stainless Steel A-306	10/30
1.8	7	1	Fixed nut	oseg_sp_1.8_fixed-nut.ipt	Part	Barr D:82.0 mm Stainless Steel A-306	11/30
1.9		1	Centering support	oseg_sp_1.9_centering-support.ipt	Part	Sheet e:2.5 Stainless Steel A-306	12/30
2	8	1	Cage	oseg_sp_2_cage.iam	Assembly		13/30
2.1	4	1	Tray	oseg_sp_2.1_tray.ipt	Part	Sheet e:2.5 Stainless Steel A-306	14/30
2.2		1	Fixer	oseg_sp_2.2_fixer.ipt	Part	Sheet e: 3.5 Stainless Steel A-306	15/30
2.3	26	4	Screw 12 mm	oseg_sp_2.3_screw-12-mm.ipt	Part	Screw Hex 12M	
2.4		4	Nut 12 mm	oseg_sp_2.4_nut-12-mm.ipt	Standard	Hex Nut	
3	8	1	Collecting tray	oseg_sp_3_collecting-tray.iam	Assembly		16/30
3.1		1	Collecting cylinder	oseg_sp_3.1_collecting-cylinder.ipt	Part	Sheet e: 3.5 Stainless Steel A-306	17/30
3.2		2	Collector handle	oseg_sp_3.2_collector-handle.ipt	Part	Barr D:10.0 mm Stainless Steel A-306	18/30
3.3		1	Edge ring	oseg_sp_3.3_edge-ring.ipt	Part	Sheet e: 2.5 Stainless Steel A-306	19/30
3.4		2	Centering device	oseg_sp_3.4_centering-device.ipt	Part	Sheet e:2.5 Stainless Steel A-306	20/30

Project SCREW PRESS		Created by D. Mosquera		Approved by D. Jeager		
Part Name SCREW PRESS		Part Code		Document Type Part List		
 Open Source Ecology e.V. Knobelsdorffstr. 22 14059 Berlin www.ose-germany.de +49 (0) 30 / 92282426		License CERN-OHL		File Name		
				Scale		Version 1.0
				Sheet 3/30		Date 14.10.20

4


3

2

1

PART LIST

Pos.	P.Old	Qty.	Part name	File name	Part type	Specifications	Sheet
A			SCREW PRESS		Assembly		1/35
B			Parts list				3/35
4		1	Pressing assembly	oseg_sp_4_pressing-assembly.iam	Assembly		21/30
4.1	5	1	Press disc	oseg_sp_4.1_press-disc.ipt	Part	Sheet e:20.0 mm-Stainless Steel A-306	22/30
4.2		1	Disk core	oseg_sp_4.2_disk-core.ipt	Part	Barr D:70.0 mm Stainless Steel A-306	23/30
4.3		1	Screw column	oseg_sp_4.3_screw-column.ipt	Part	Barr D:64.0 mm Stainless Steel A-306	24/30
4.4		1	Arm profile	oseg_sp_4.4_arm-profile.ipt	Standard	STEEL PROFILE UP 100 x 50	25/30
4.5		1	Arm cover	oseg_sp_4.5_arm-cover.ipt	Part	Sheet e:6.0 mm-Stainless Steel A-306	26/30
4.6	9	1	Torque arm tube	oseg_sp_4.6_torque-arm-tube.ipt	Part	Tube D:22.0 mm SQD40 Stainless Steel A-306	27/30
4.7	9	1	Torque arm reinforcement	oseg_sp_4.7_torque-arm-reinforcement.ipt	Part	Sheet e: 6.0 mm-Stainless Steel A-306	28/30
4.8		1	Crank handle	oseg_sp_4.8_crank-handle.ipt	Part	Barr D:25.4 mm Stainless Steel A-306	29/30
4.9	10	4	Pressing discs	oseg_sp_4.9_pressing-discs.ipt	Part	Sheet e: 6.0 mm-Stainless Steel A-306	30/30

Project	SCREW PRESS	Created by D. Mosquera	Approved by D. Jeager			
Part Name	SCREW PRESS	Part Code	Document Type Part List		Material	
 <p>Open Source Ecology e.V Knobelsdorffstr. 22 14059 Berlin www.ose-germany.de +49 (0) 30 / 92282426</p>	License CERN-OHL	File Name		Version 1.0	Quantity	
		Scale	Sheet 4/35	Date 14.10.20		

4

3

2

1