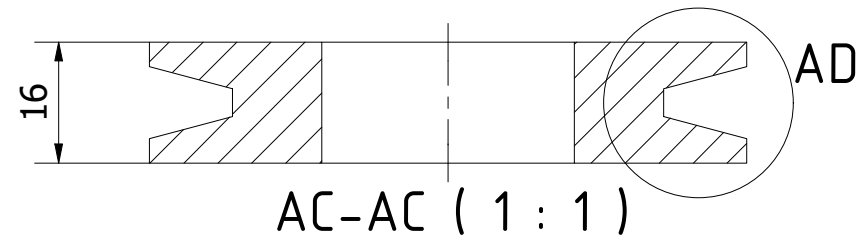
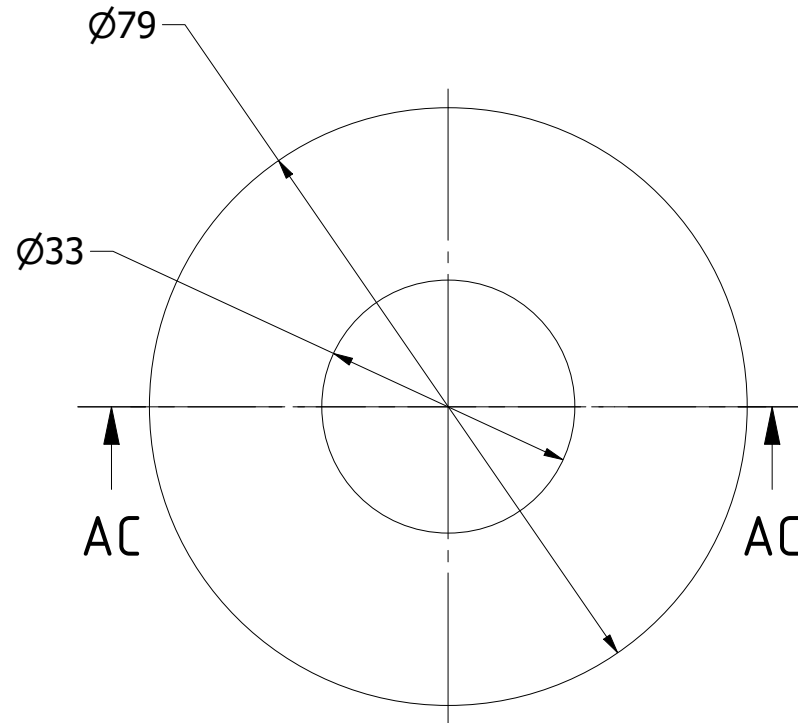



AD (3/1)



AC-AC (1 : 1)



Note: All units in mm.

PROJECT Wind turbine with vertical metal drum sails	CREATED BY J. Rosciano	APPROVED BY A. Morillo	DATE 27/10/2021	VERSION 1.1
PART NAME Small pulley	FILE NAME Small pulley.ipt			POS 2.4
PUBLISHED BY  OPEN HARDWARE OBSERVATORY Free Blueprints for Sustainable Development	DOC. TYPE Part	MATERIAL DIN C45	SCALE 1/1	QUANTITY 1
OHO e.V.	LICENCE CC-BY-SA 4.0			SHEET 17 /41