
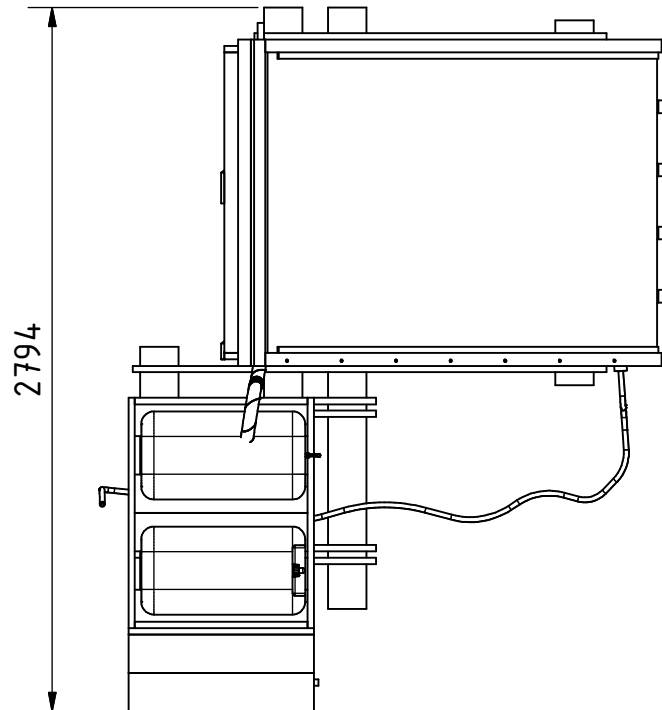
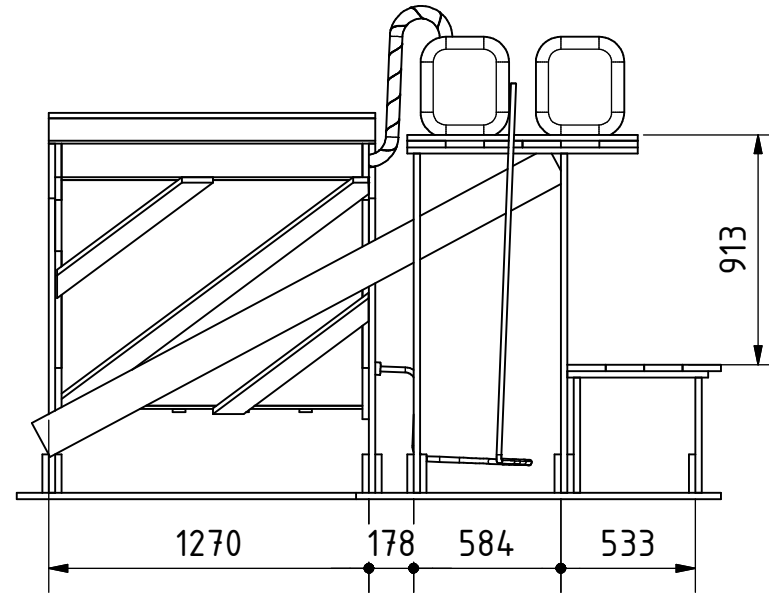
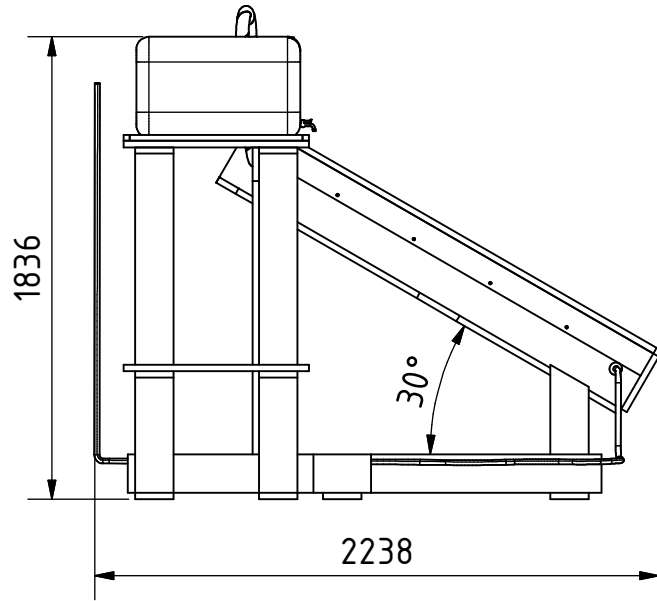



PROJECT Solar water heater for disinfection		CREATED BY A. Morillo	APPROVED BY D. Jaeger	DATE 22-05-2023	VERSION 0.01
PART NAME 3D Views		SPECIFICATIONS			CODE A1
DEVELOPED BY IOG - Engineers Without Borders		REDESIGNED BY 	FILE NAME 0_Anlage.iam		QUANTITY 1
			LICENSE CC-BY-SA 4.0	DOC. TYPE Assembly	SCALE 2 : 35
					SHEET 1 / 24

OHO e.V.



PROJECT Solar water heater for disinfection	CREATED BY A. Morillo	APPROVED BY D. Jaeger	DATE 22-05-2023	VERSION 0.01
PART NAME 3D Views	SPECIFICATIONS			CODE A1
DEVELOPED BY	REDESIGNED BY	FILE NAME 0_Anlage.iam		QUANTITY 1
IOG - Engineers Without Borders		LICENSE CC-BY-SA 4.0	DOC. TYPE Assembly	SHEET 2 / 24
		SCALE 1 : 30		