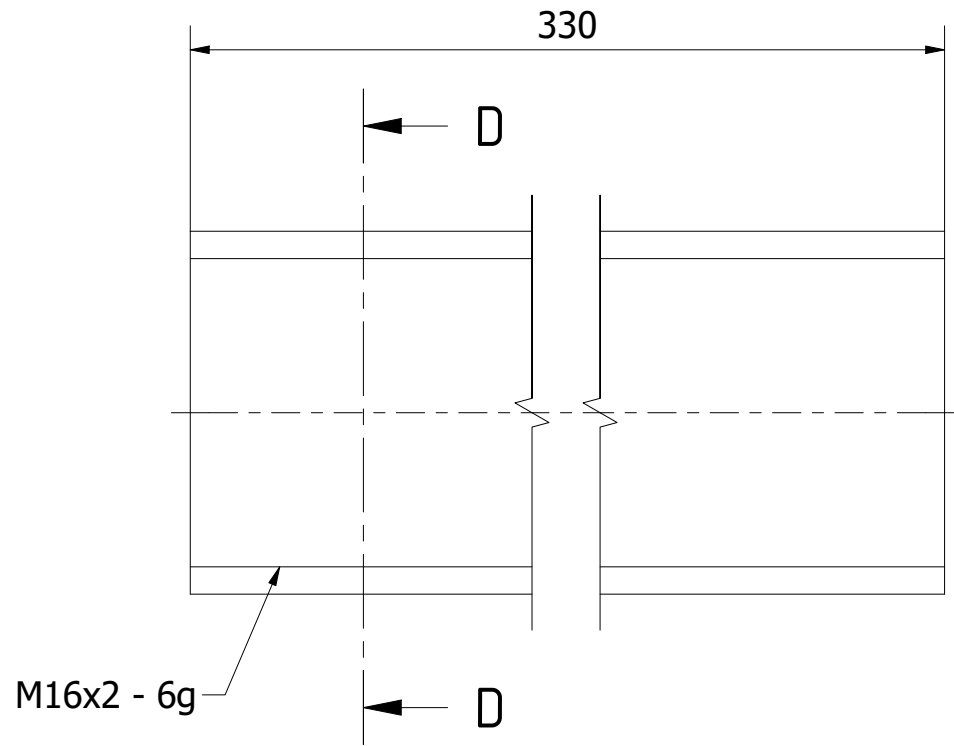


D-D ( 3/1 )



Note: All units in mm.

PROJECT	CREATED BY	APPROVED BY	DATE	VERSION
Hay and Leaf Baler	J. Rosciano	A. Morillo	10/08/2021	1.1
PART NAME	FILE NAME			POS
Bar joint A-P	4.8_Bar joint A-P.ipt			4.8
DEVELOPED BY	REDESIGNED BY	DOC. TYPE	MATERIAL	QUANTITY
Larry McWilliams	OHO e.V.	Part	DIN C45	1
		LICENCE	SCALE	SHEET
		CC-BY-SA 4.0	3/1	29 /44