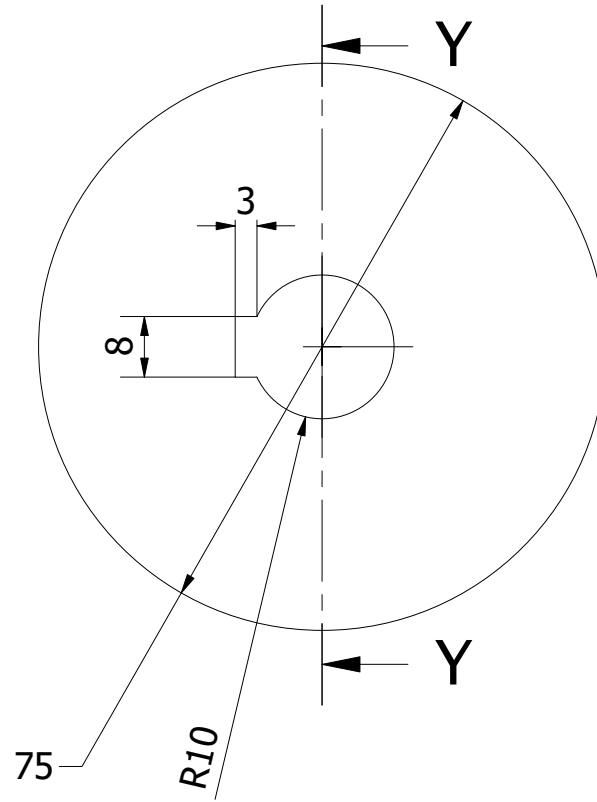
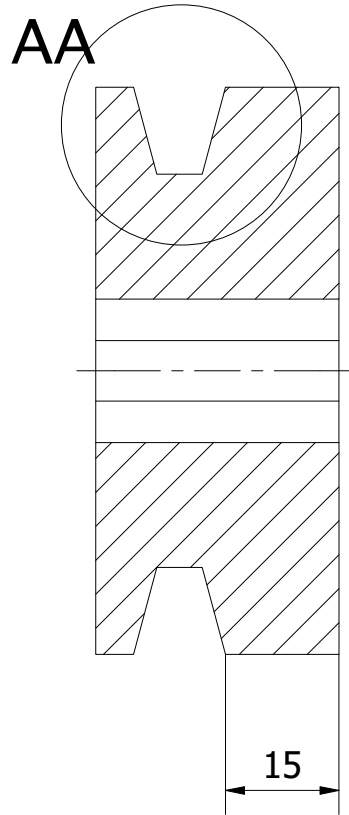



AA ( 2 : 1 )

Y-Y ( 1 / 1 )



Note: All units in mm.

PROJECT	CREATED BY	APPROVED BY	DATE	VERSION
Potery wheel	J. Rosciano	A. Morillo	17/06/2021	1.2
PART NAME	FILE NAME			POS
Drive pulley	2.9_Drive_Pulley.ipt			2.9
DEVELOPED BY	REDESIGNED BY	DOC. TYPE	MATERIAL	QUANTITY
		Part	DIN C45	1
Practical Action	OHO e.V.	LICENCE	SCALE	SHEET
		CC-BY-SA 4.0	1/1	26 /46