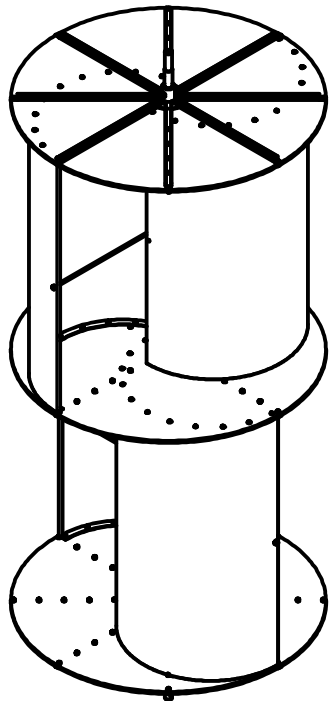
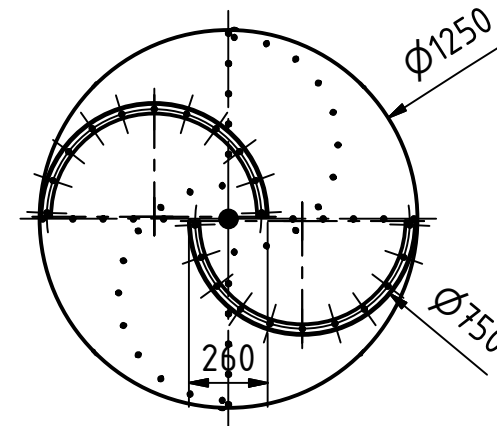
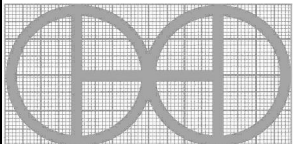
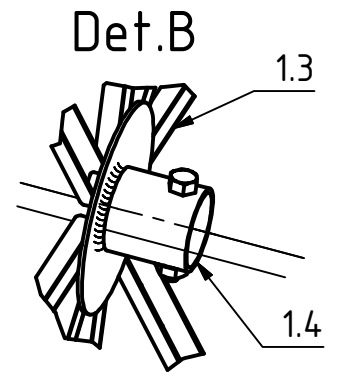
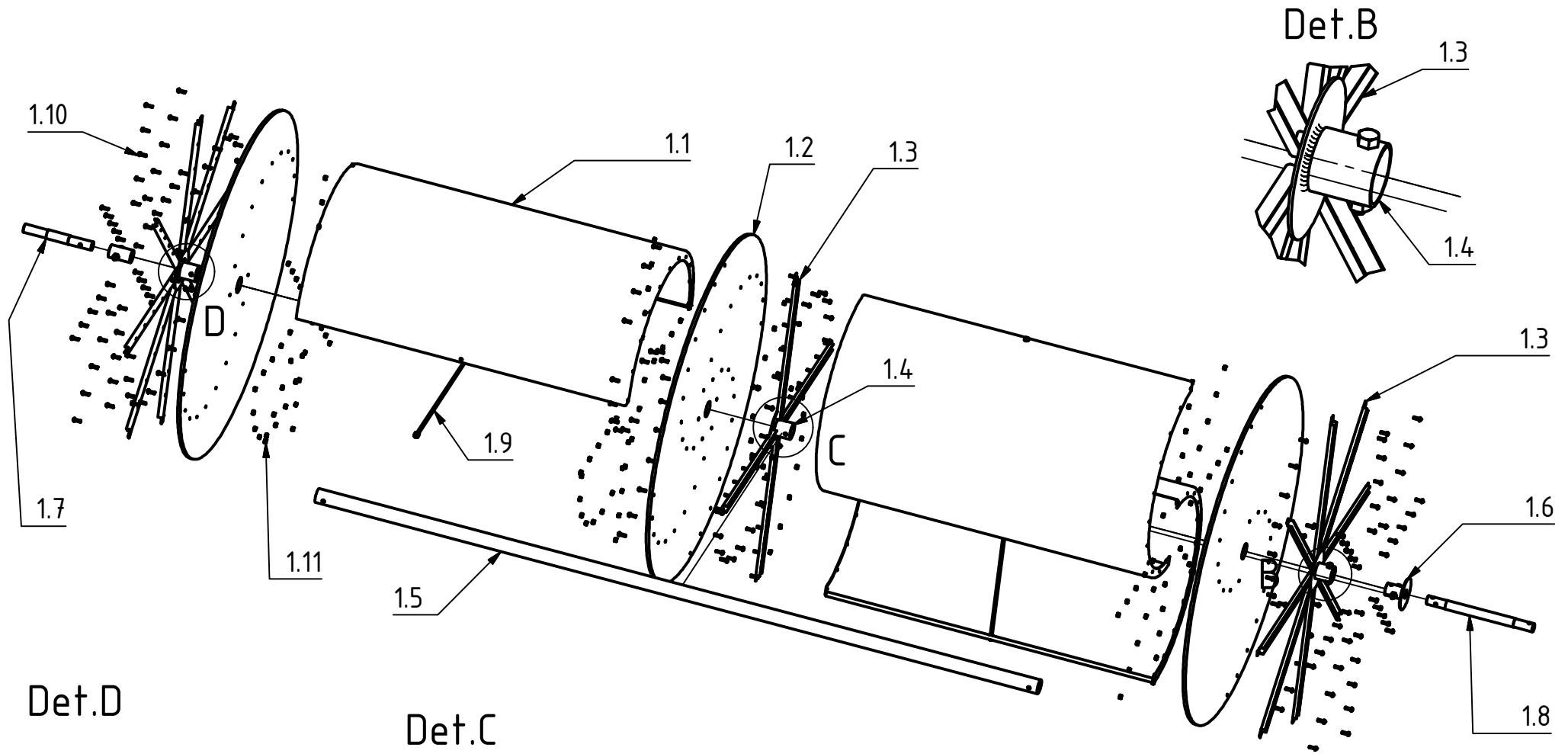


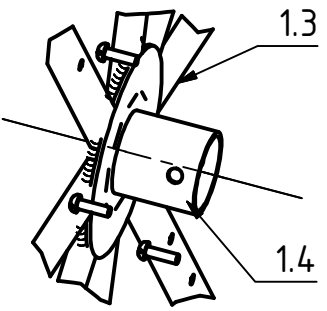
SeccA-A



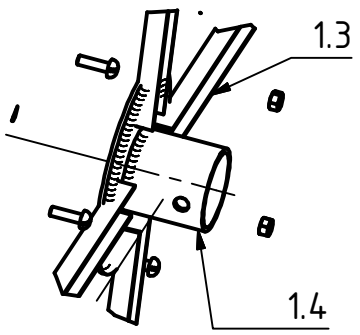
PROJECT	CREATED BY	APPROVED BY	DATE	VERSION
Savonius rotor two level	D. MOSQUERA	A. MORILLO	07/10/2021	1.0
PART NAME	FILE NAME			POS
Rotor	oho_srl_rotor.iam			1.0
DEVELOPED BY	REDESIGNED BY	DOC. TYPE	MATERIAL	QUANTITY
		Assembly		1
		LICENCE	SCALE	SHEET
		CC-BY-SA 4.0	1:25	9 /44

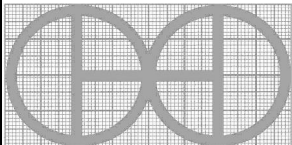


Det.D



Det.C



PROJECT	CREATED BY	APPROVED BY	DATE	VERSION
Savonius rotor two level	D. MOSQUERA	A. MORILLO	07/10/2021	1.0
PART NAME	FILE NAME			POS
Rotor	oho_srl_rotor.ipn			1.0
DEVELOPED BY	REDESIGNED BY	DOC. TYPE	MATERIAL	QUANTITY
		Assembly		1
		LICENCE	SCALE	SHEET
		CC-BY-SA 4.0	1:20	10 /44