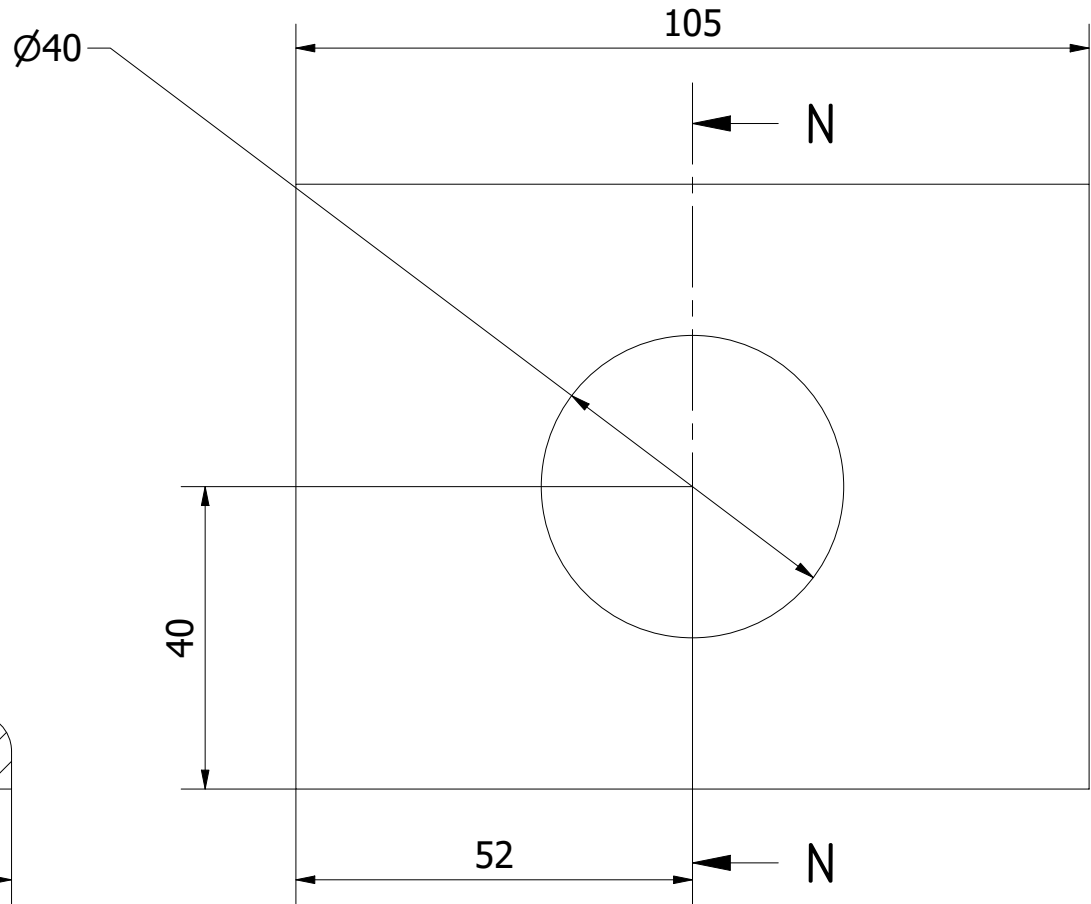



N-N ( 1 : 1 )



Note: All units in mm.

PROJECT	CREATED BY	APPROVED BY	DATE	VERSION
Bench Top Bender	J. Rosciano	A. Morillo	10/08/2021	1.1
PART NAME	FILE NAME			POS
Pivoting angle steel	Pivoting angle steel.ipt			1.2
PUBLISHED BY	DOC. TYPE	MATERIAL		QUANTITY
 <b>OPEN HARDWARE OBSERVATORY</b> Free Blueprints for Sustainable Development	Part	ASTM A36		2
	LICENCE	SCALE		SHEET
OHO e.V.	CC-BY-SA 4.0	1/1		9 /18