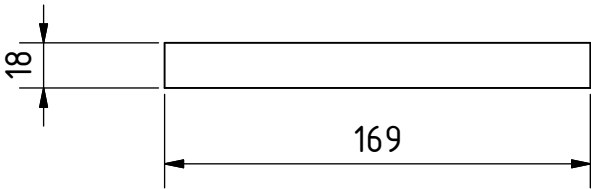
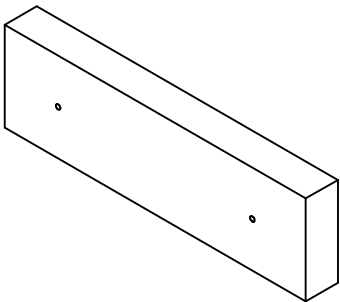
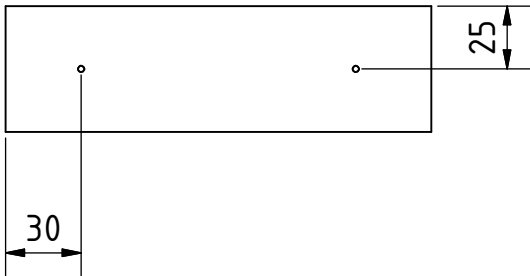
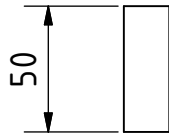


ELEVATION (1 : 3)



Note: All units in mm.

PROJECT Hand Operated Winnower for groundnut		CREATED BY J. Zeron	APPROVED BY A. Morillo	DATE 09/08/2021	VERSION 1.0
PART NAME Stop		FILE NAME Stop.ipt			POS 2.4
DEVELOPED BY Tropical Products Institut	REDESIGNED BY OHO e.V.	DOC. TYPE Part	MATERIAL Hard wood	QUANTITY 1	
		LICENCE CC-BY-SA 4.0	SCALE 1:3	SHEET 15 /45	