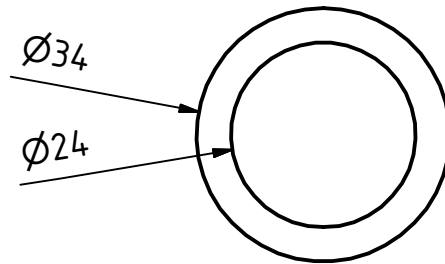
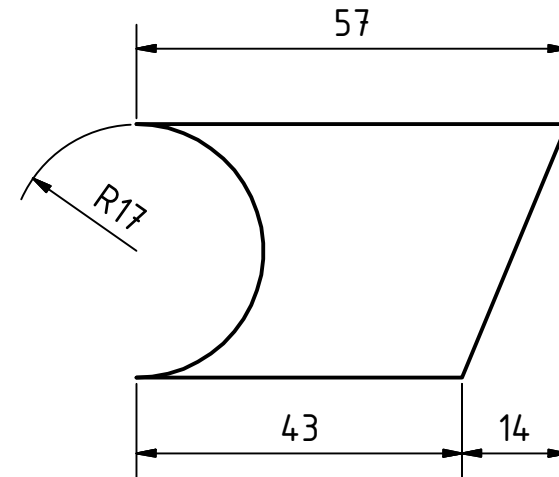


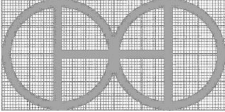
SCALE (1 : 1)



SCALE (1 : 1)



Note: All units in mm.

PROJECT	CREATED BY	APPROVED BY	DATE	VERSION
Press for Water Filters	L. Ruda	A. Morillo	01/09/2021	1.0
PART NAME	FILE NAME			POS
Tube B 25 Od.	Tube B 25 Od.ipt			3.4.0
DEVELOPED BY	REDESIGNED BY	DOC. TYPE	MATERIAL	QUANTITY
	 OHO e.V.	Part	Steel A36	1
		LICENCE	SCALE	SHEET
		CC-BY-SA 4.0	1:1	33 /46