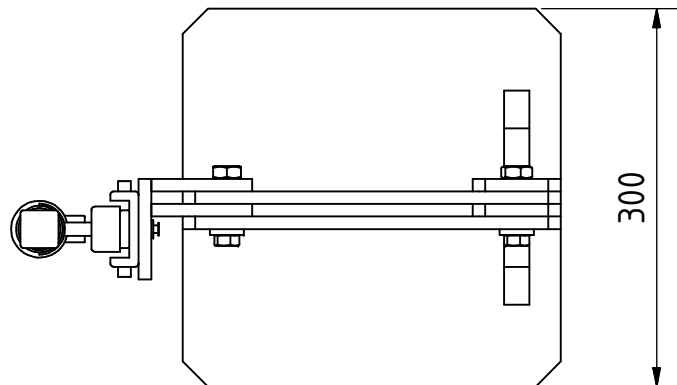
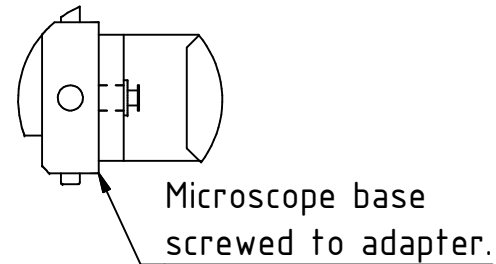



A (1 : 3)



Note: All units in mm.

PROJECT	CREATED BY	APPROVED BY	DATE	VERSION
Stand for Inspection Microscope	J. Zeron	A. Morillo	14/08/2021	1.0
PART NAME	FILE NAME			POS
3D views	dm_imd_inspection_microscope_-_diy_pcb.iam			A1
PUBLISHED ON	DOC. TYPE	MATERIAL		QUANTITY
 OPEN HARDWARE OBSERVATORY Free Blueprints for Sustainable Development www.oho.wiki	Assembly			
	LICENCE	SCALE		SHEET
	CC-BY-SA 4.0	1:6		1 / 10