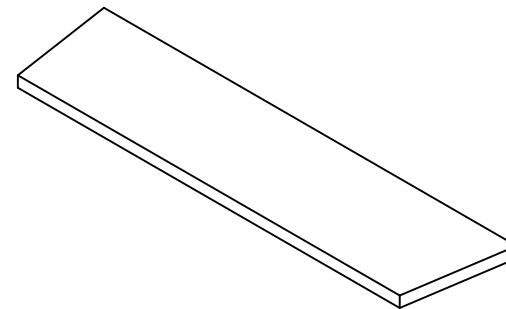
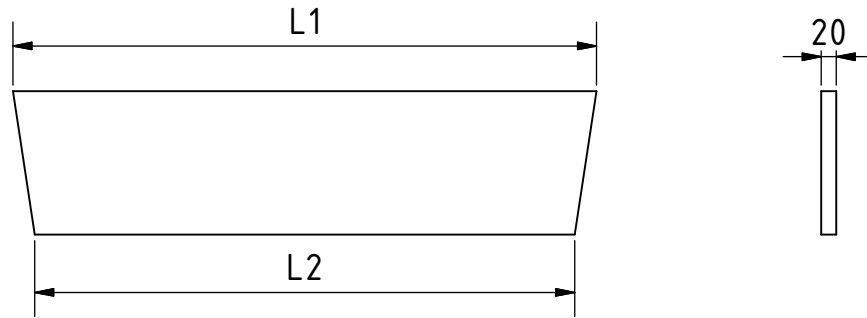
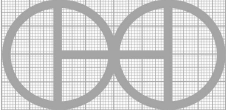


Plank sizes			
Item	Amount	L1	L2
1	1	608	648
2	1	648	714
3	1	714	771
4	1	771	820
5	1	820	859
6	1	859	889
7	1	889	911
8	1	911	924
9	1	924	928
10	1	928	923
11	1	923	909
12	1	909	887
13	1	887	856
14	1	856	816
15	1	816	767
16	1	767	709
17	1	709	642
18	1	642	566
19	1	566	481
20	1	481	386
21	1	386	281
22	1	281	166
23	1	166	42



Note: All units in mm.

PROJECT	CREATED BY	APPROVED BY	DATE	VERSION
Flat Bottom Boat	J. Zeron	A. Morillo	02/08/2021	1.0
PART NAME	FILE NAME			POS
Bottom planking 1-20	Bottom planking.ipt			1.1
DEVELOPED BY	REDESIGNED BY	DOC. TYPE	MATERIAL	QUANTITY
		Part	Hardwood	40
FAO	OHO e.V.	LICENCE	SCALE	SHEET
		CC-BY-SA 4.0	1:6	6 /25