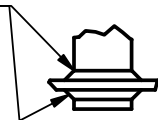

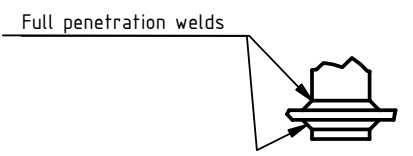
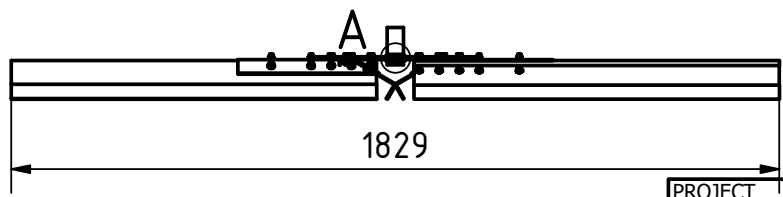
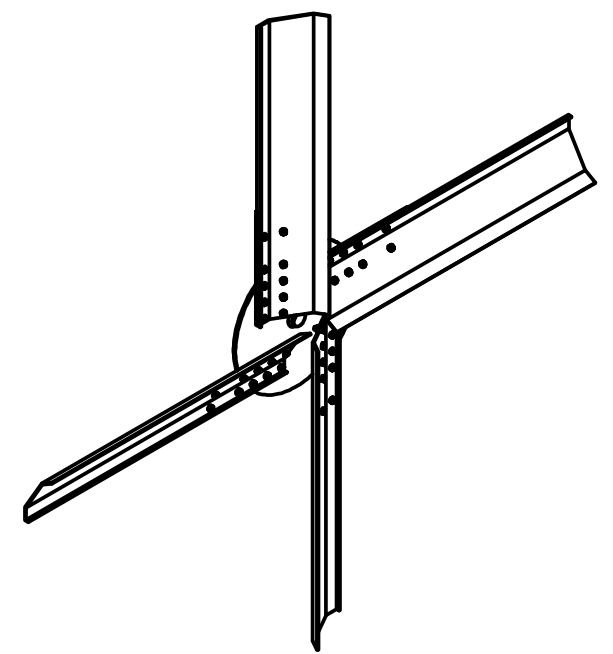
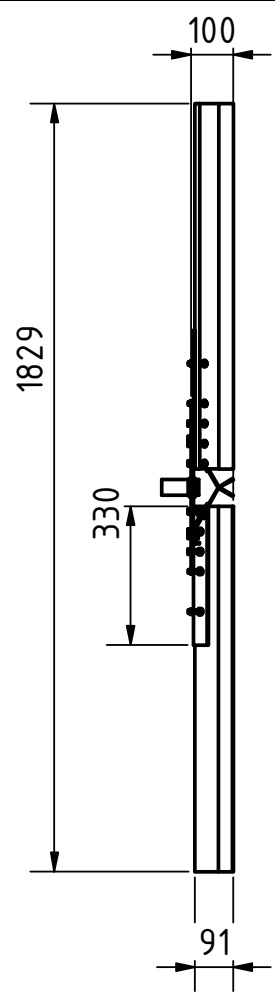
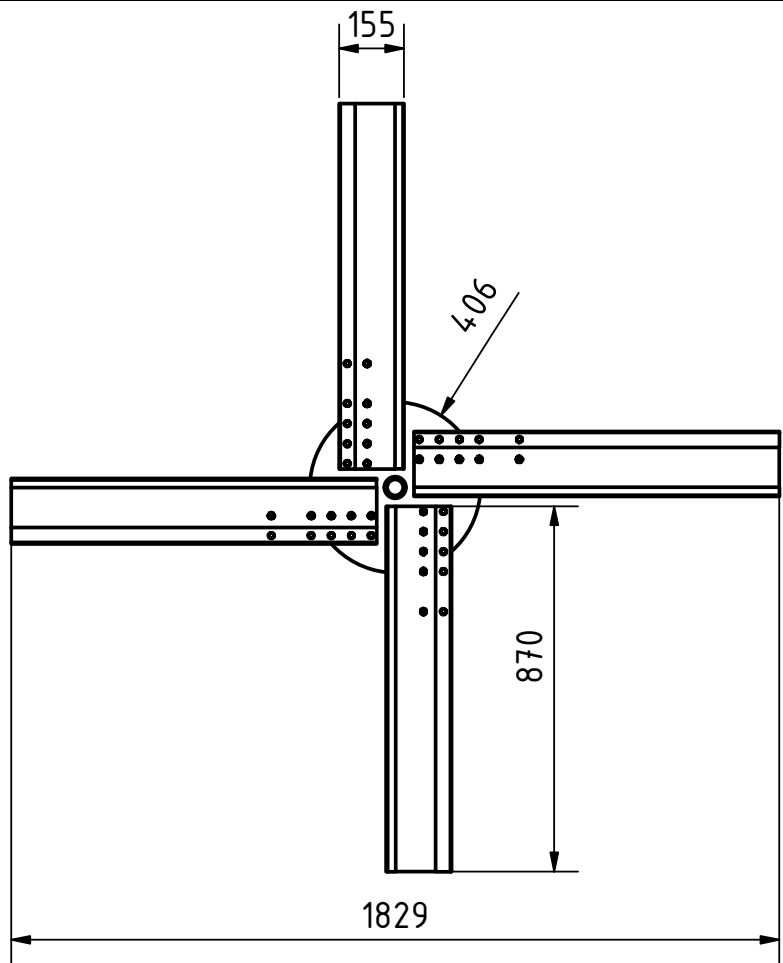


Full penetration welds



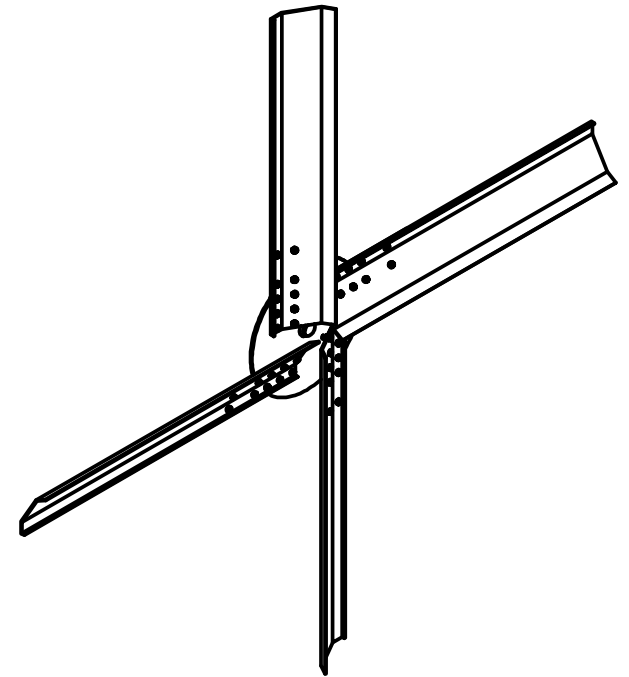
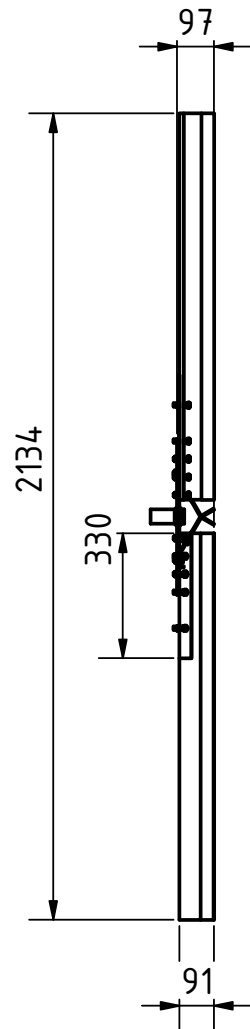
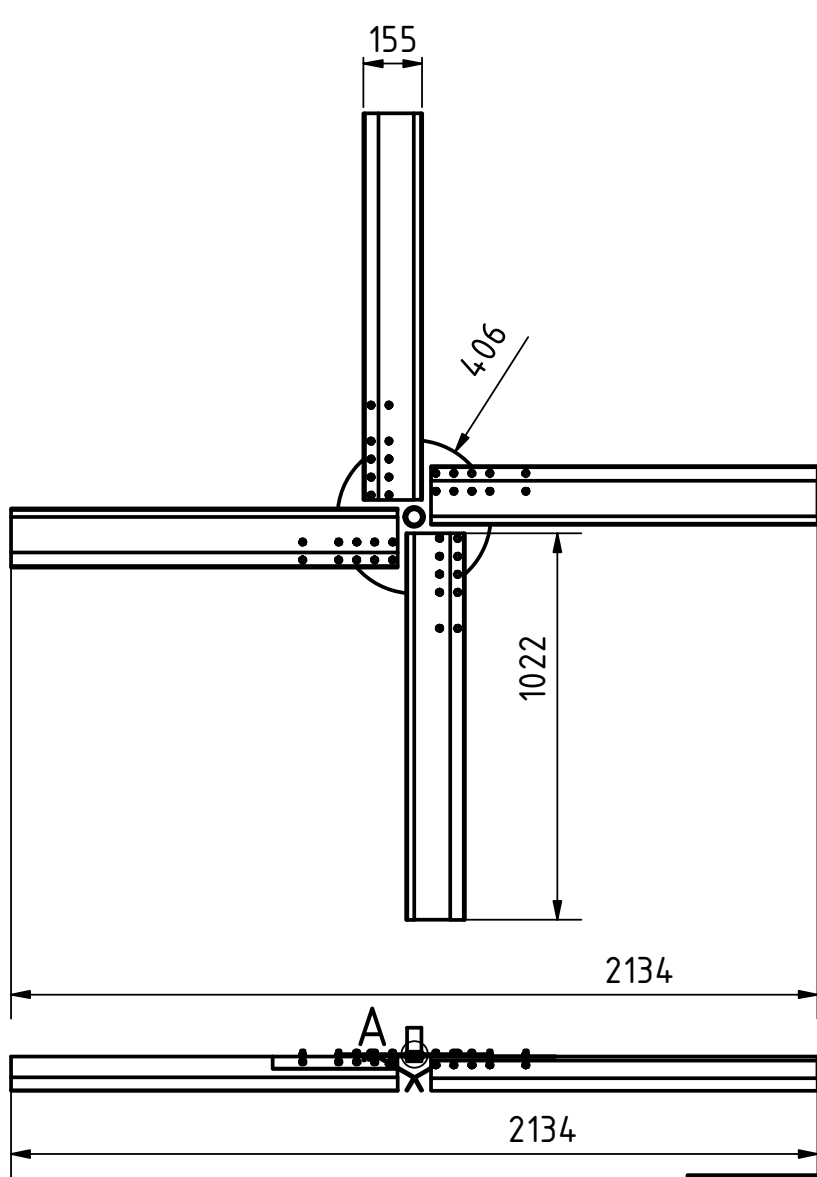
A (1:5)

PROJECT		CREATED BY	APPROVED BY	DATE	VERSION
60-120 Dia Wind Mill Blades		E. CEBALLOS	A. MORILLO	04-06-21	1.0
PART NAME		FILE NAME			PART CODE
60" D. Wind Mill Blades		wind mill blades.iam			A1
DEVELOPED BY	REDESIGNED BY	SUPPORTED BY	DOC. TYPE	MATERIAL	QUANTITY
Unknown	 OPEN SOURCE ECOLOGY GERMANY		ASSEMBLY		1
			LICENCE	SCALE	SHEET
			CC-BY-SA 4.0	1:15	1 / 29

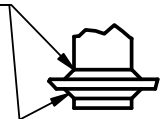


A (1:5)


PROJECT		CREATED BY	APPROVED BY	DATE	VERSION
60-120 Dia Wind Mill Blades		E. CEBALLOS	A. MORILLO	04-06-21	1.0
PART NAME		FILE NAME			PART CODE
72" D. Wind Mill Blades		wind mill blades.iam			A1
DEVELOPED BY	REDESIGNED BY	SUPPORTED BY	DOC. TYPE	MATERIAL	QUANTITY
			ASSEMBLY		1
Unknown	OSEG		LICENCE	SCALE	SHEET
			CC-BY-SA 4.0	1:20	2 / 29

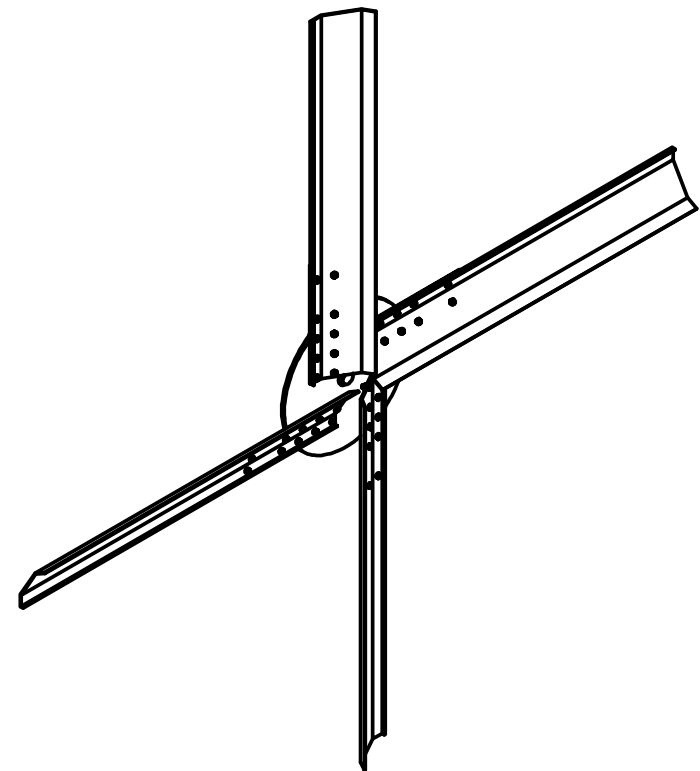
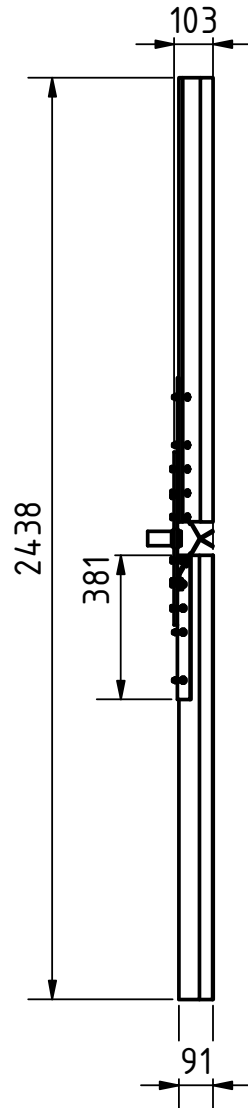
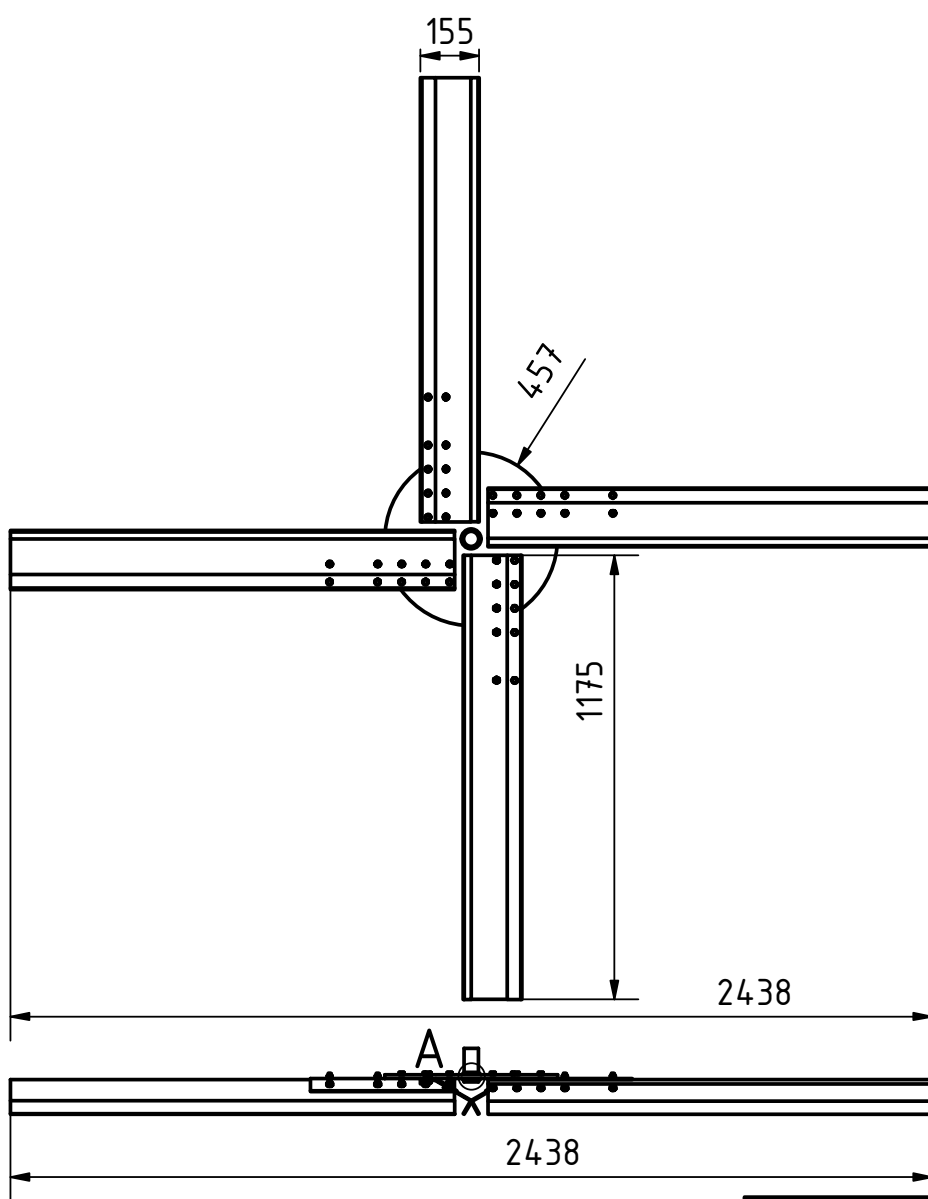


Full penetration welds

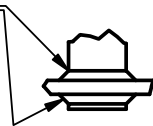


A (1:5)

PROJECT		CREATED BY	APPROVED BY	DATE	VERSION
60-120 Dia Wind Mill Blades		E. CEBALLOS	A. MORILLO	04-06-21	1.0
PART NAME		FILE NAME			PART CODE
84" D. Wind Mill Blades		wind mill blades.iam			A1
DEVELOPED BY	REDESIGNED BY	SUPPORTED BY	DOC. TYPE	MATERIAL	QUANTITY
Unknown	 OPEN SOURCE ECOLOGY GERMANY		ASSEMBLY		1
			LICENCE	SCALE	SHEET
			CC-BY-SA 4.0	1:20	3 / 29

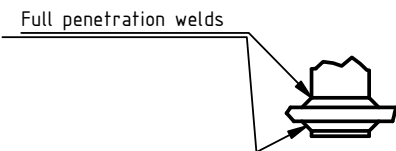
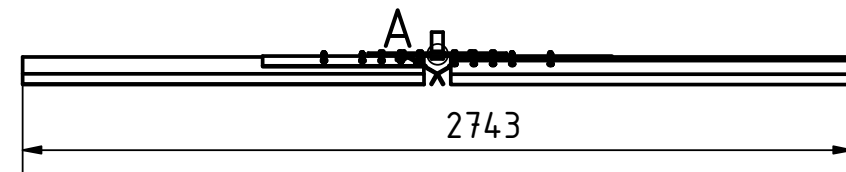
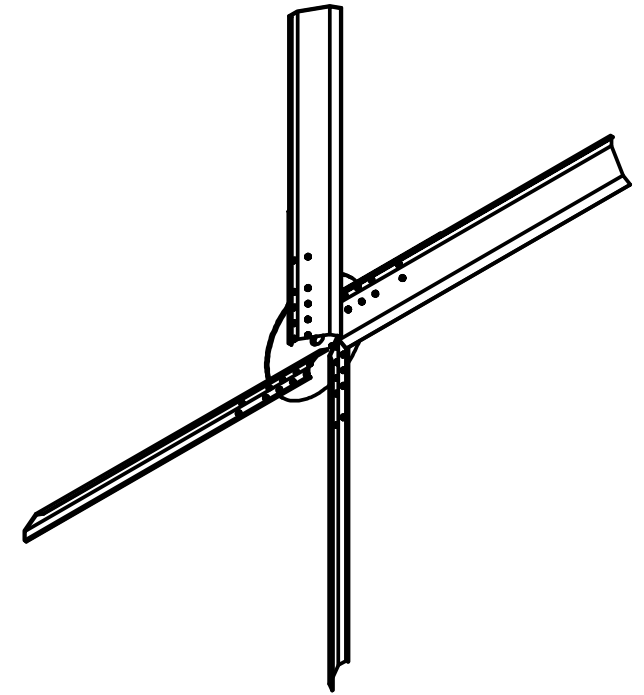
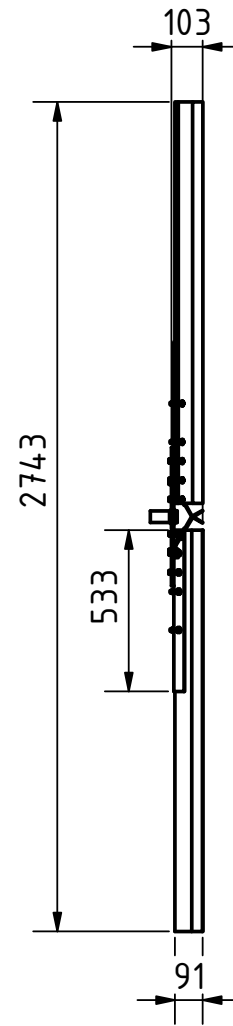
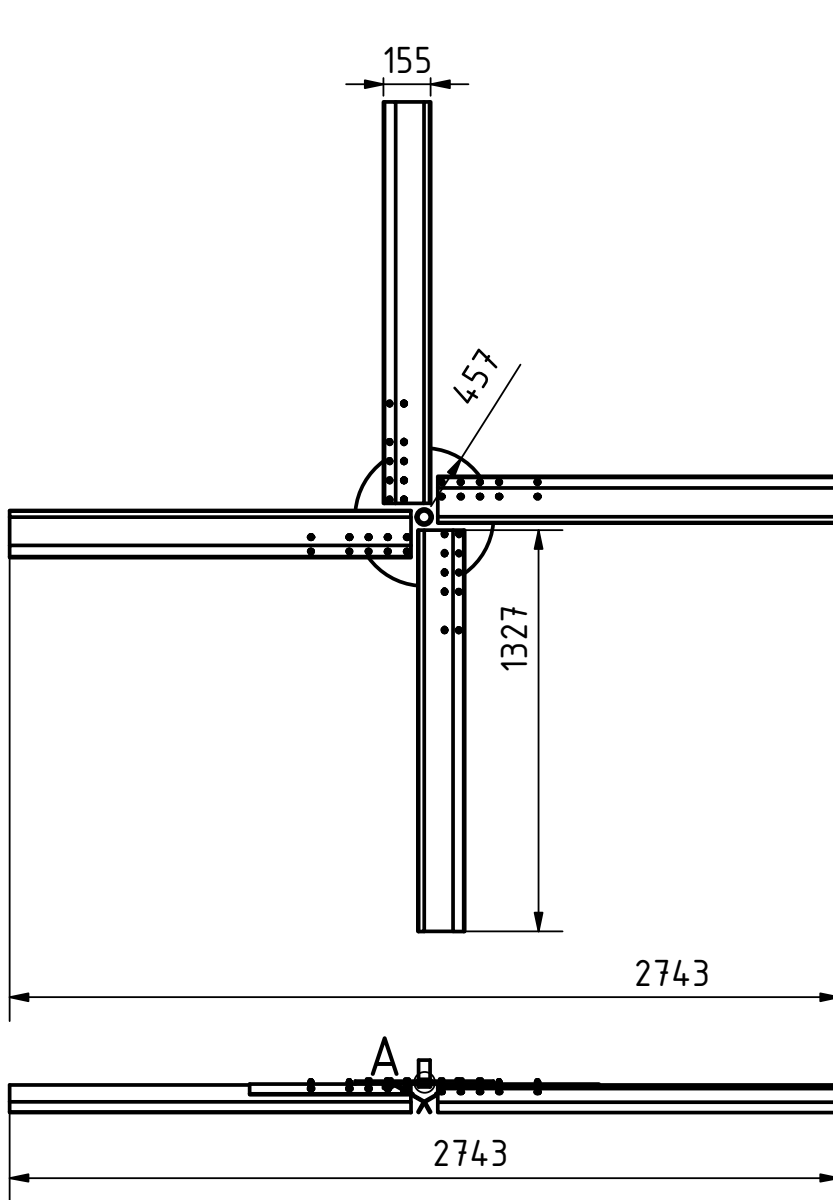


Full penetration welds




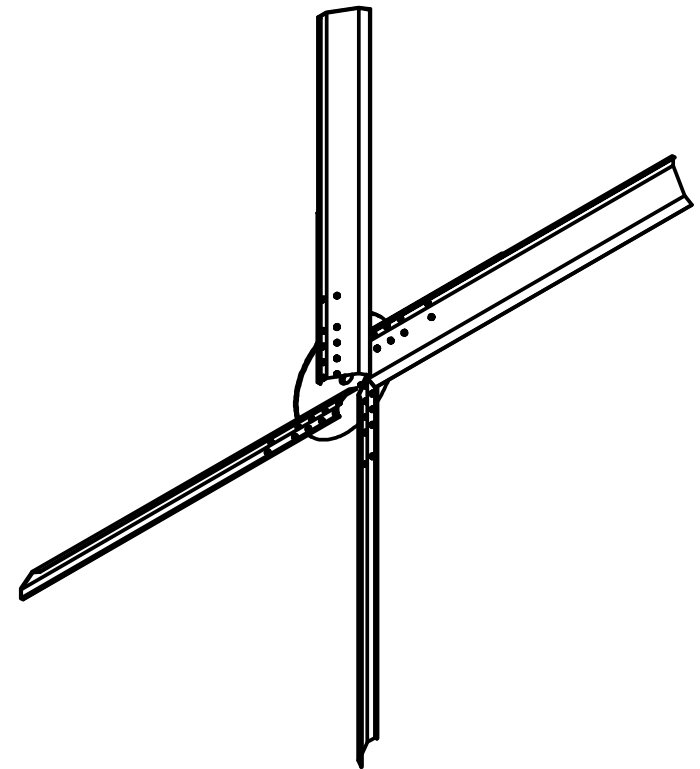
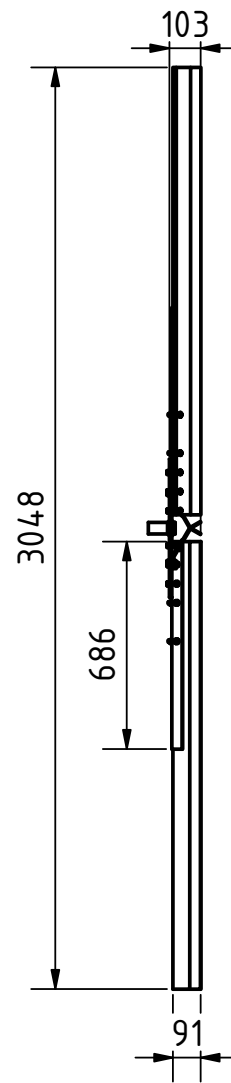
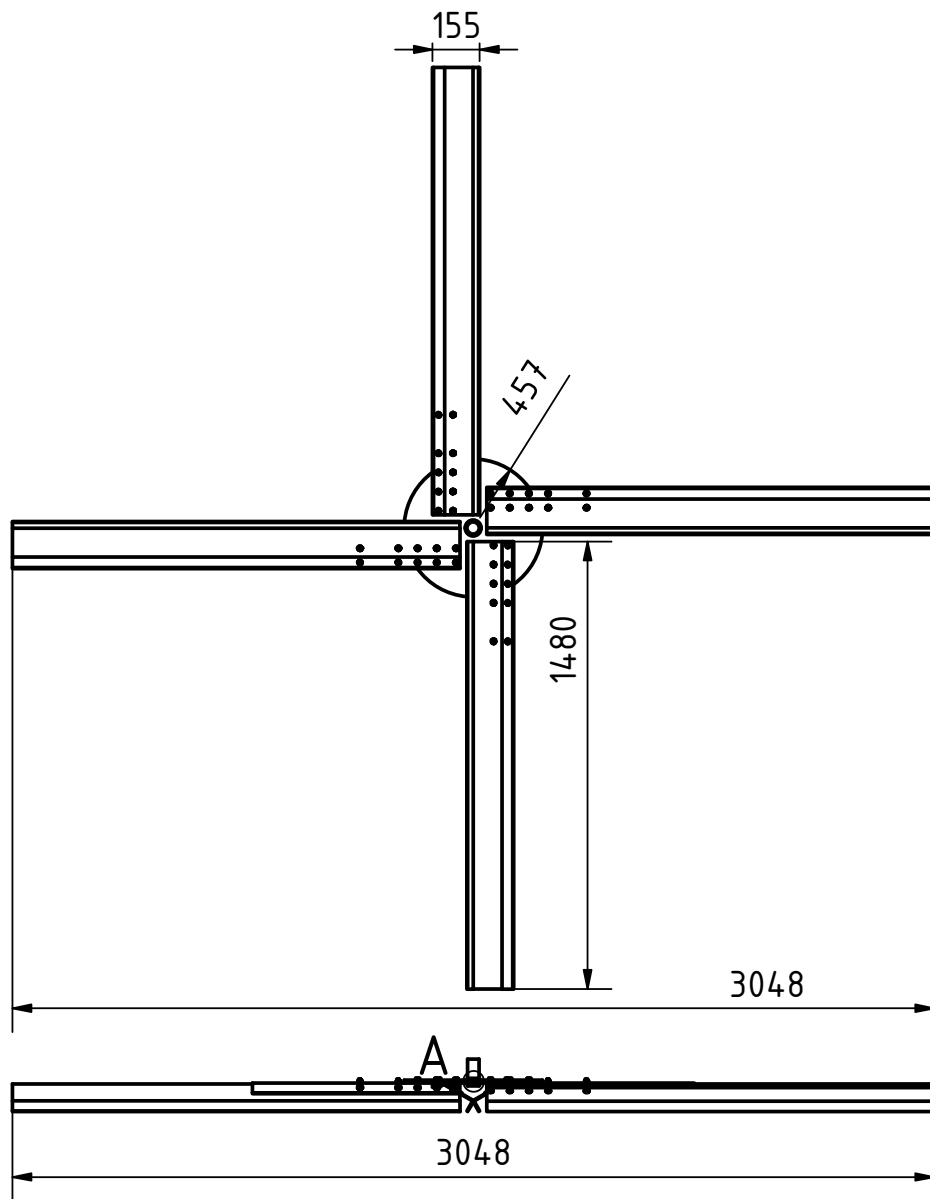
A (1:5)

PROJECT		CREATED BY	APPROVED BY	DATE	VERSION
60-120 Dia Wind Mill Blades		E. CEBALLOS	A. MORILLO	04-06-21	1.0
PART NAME		FILE NAME			PART CODE
96" D. Wind Mill Blades		wind mill blades.iam			A1
DEVELOPED BY	REDESIGNED BY	SUPPORTED BY	DOC. TYPE	MATERIAL	QUANTITY
Unknown	 <small>OPEN SOURCE ECOLOGY GERMANY</small>		ASSEMBLY		1
			LICENCE	SCALE	SHEET
			CC-BY-SA 4.0	1:20	4 / 29

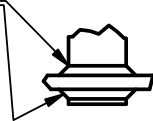


A (1:5)


PROJECT		CREATED BY	APPROVED BY	DATE	VERSION
60-120 Dia Wind Mill Blades		E. CEBALLOS	A. MORILLO	04-06-21	1.0
PART NAME		FILE NAME			PART CODE
108" D. Wind Mill Blades		wind mill blades.iam			A1
DEVELOPED BY	REDESIGNED BY	SUPPORTED BY	DOC. TYPE	MATERIAL	QUANTITY
Unknown	 OPEN SOURCE ECOLOGY GERMANY		ASSEMBLY		1
			LICENCE	SCALE	SHEET
			CC-BY-SA 4.0	1:25	5 / 29



Full penetration welds



A (1:5)

PROJECT		CREATED BY	APPROVED BY	DATE	VERSION
60-120 Dia Wind Mill Blades		E. CEBALLOS	A. MORILLO	04-06-21	1.0
PART NAME		FILE NAME			PART CODE
120" D. Wind Mill Blades		wind mill blades.iam			A1
DEVELOPED BY	REDESIGNED BY	SUPPORTED BY	DOC. TYPE	MATERIAL	QUANTITY
	 OPEN SOURCE ECOLOGY GERMANY		ASSEMBLY		1
Unknown	OSEG		LICENCE	SCALE	SHEET
			CC-BY-SA 4.0	1:25	6 / 29