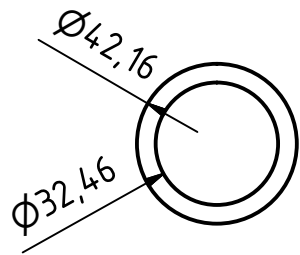
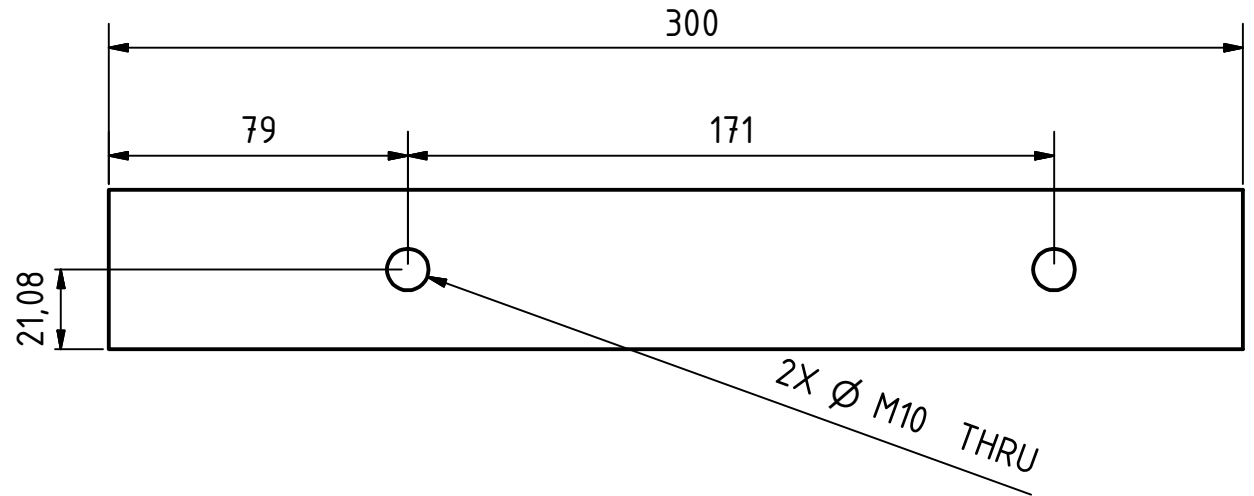


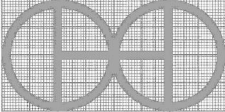
SCALE (1 : 3)



SCALE (1 : 2)



Note: All units in mm.

PROJECT	CREATED BY	APPROVED BY	DATE	VERSION
vit_wde_well-drilling-equipment	L. Ruda	A. Morillo	22/06/2021	1.0
PART NAME	FILE NAME	POS		
Tube1 1/4 "dia	ANSI C 4 x 6,25 00000007	1.1		
DEVELOPED BY	REDESIGNED BY	DOC. TYPE	MATERIAL	QUANTITY
Vita - Volunteers in Technical Assistance, USA	 OHO e.V.	Part	Steel A53	1
		LICENCE	SCALE	SHEET
		CC-BY-SA 4.0	1:2	7 /19