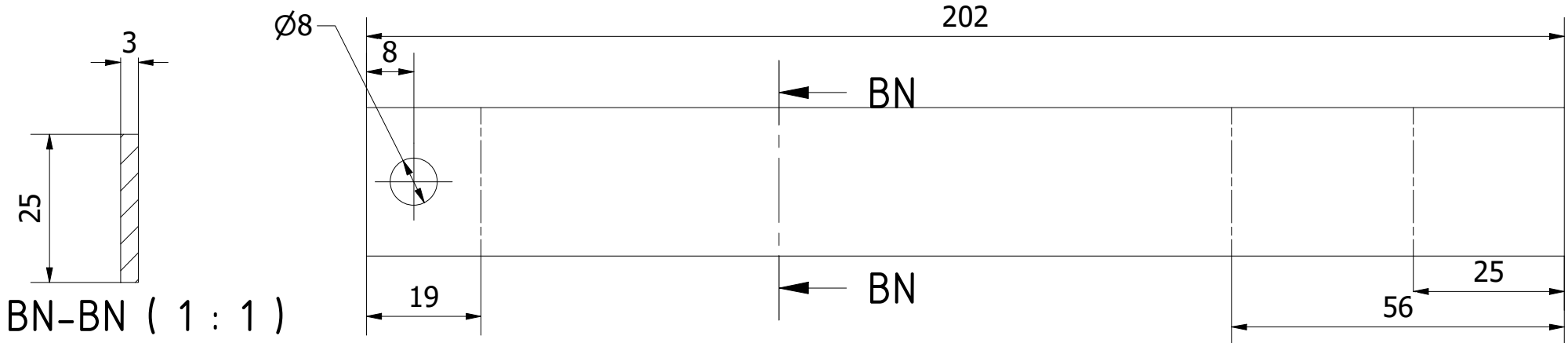
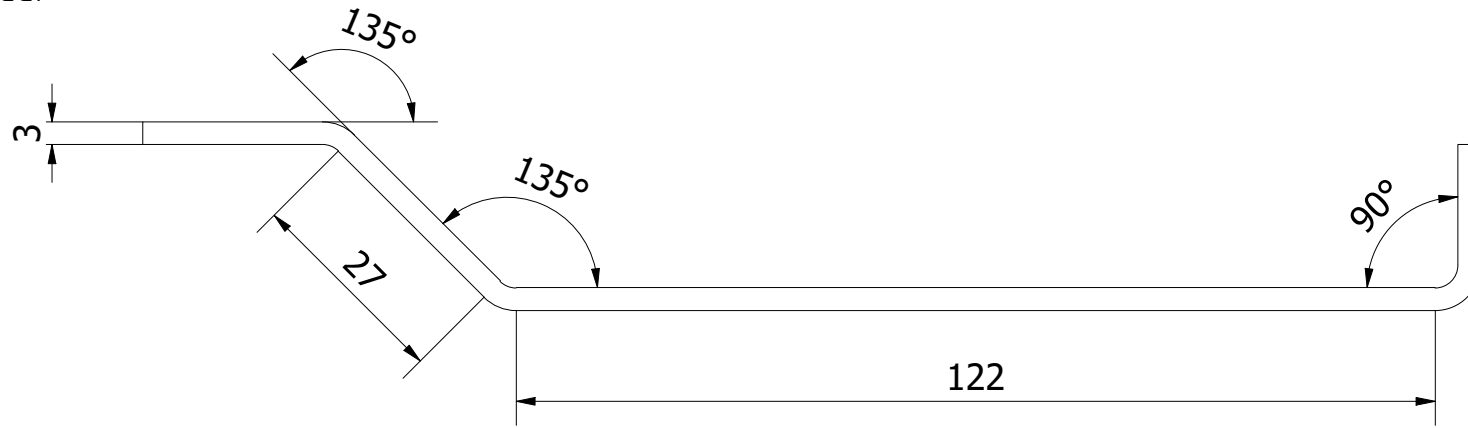
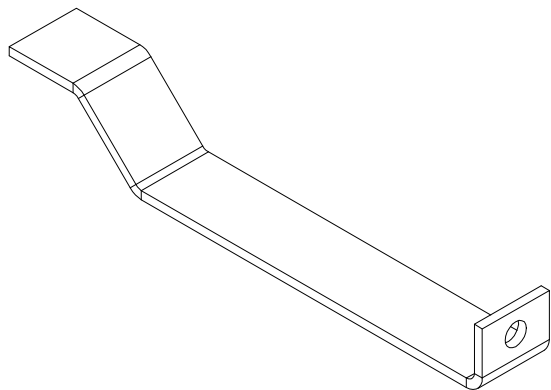


Note: This part is bended.



BN-BN (1 : 1)



Note: All units in mm.

PROJECT Convertible Bicycle Trailer for People - with shock absorber		CREATED BY J. Rosciano	APPROVED BY A. Morillo	DATE 26/07/2021	VERSION 1.1
PART NAME Brake adjustor		FILE NAME Brake adjustor.ipt			POS 3.6
DEVELOPED BY Practical Action	REDESIGNED BY OHO e.V.	DOC. TYPE Part	MATERIAL ASTM A36	QUANTITY 2	
		LICENCE CC-BY-SA 4.0	SCALE 1/1	SHEET 24 /51	