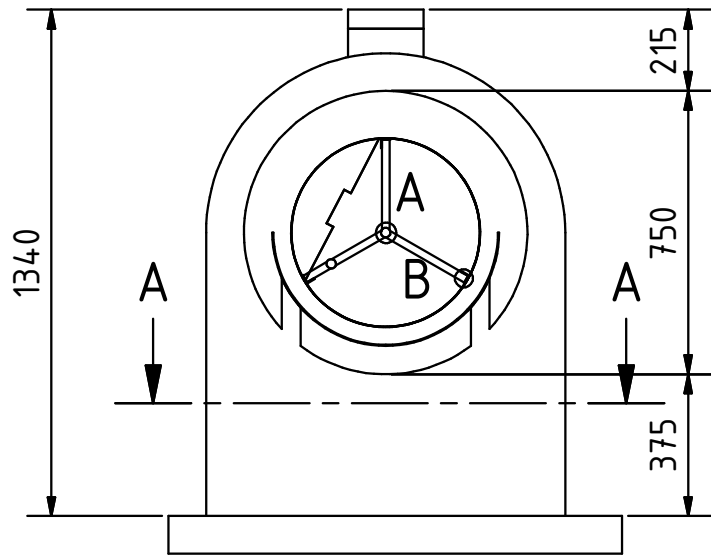
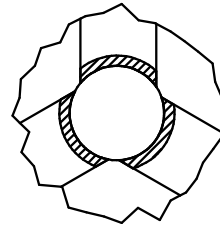


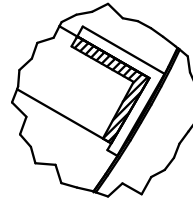
ELEVATION (1 : 20)



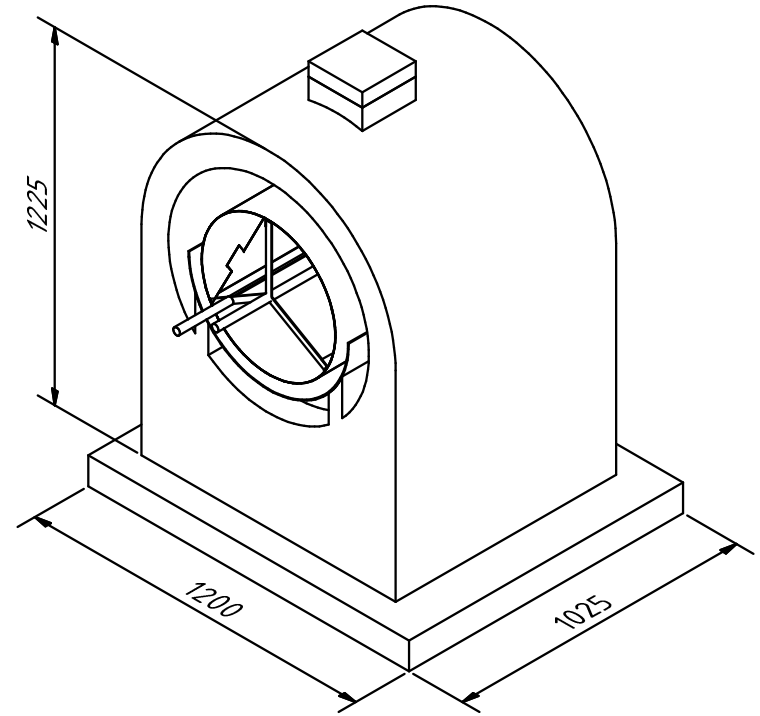
A (1 : 2)



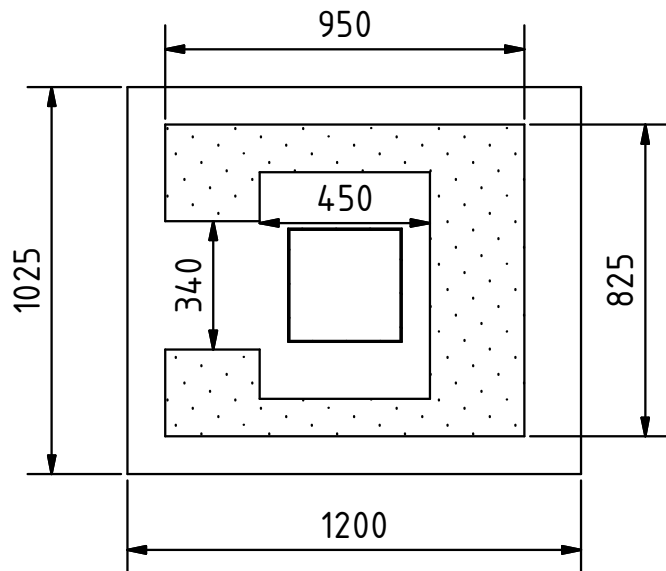
B (1 : 2)



ISOMETRIC (1 : 20)

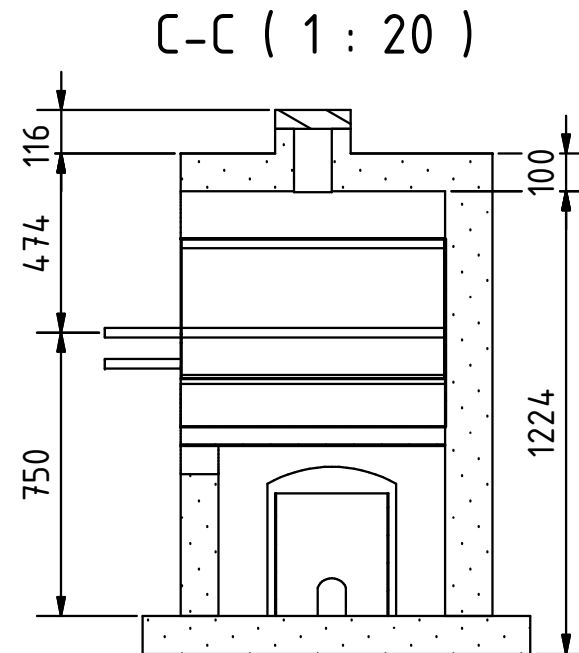
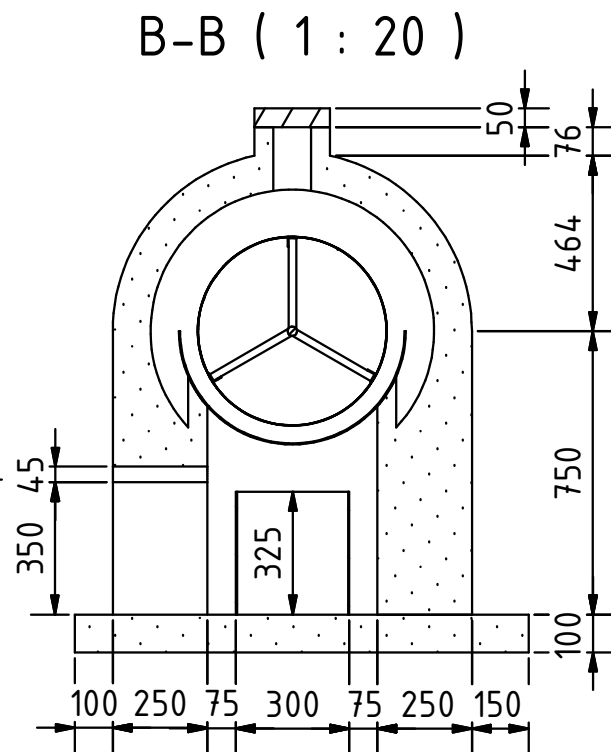
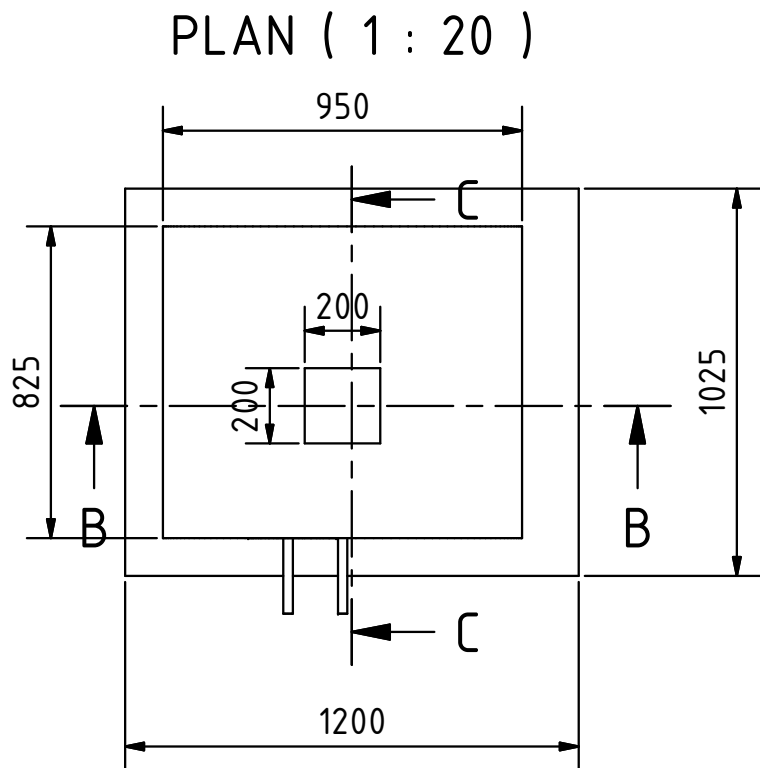


A-A (1 : 20)

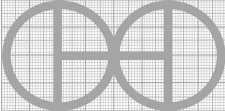


Note: All units in mm.

PROJECT	CREATED BY	APPROVED BY	DATE	VERSION
Peanut roaster	J. Zeron	A. Morillo	24/06/2021	1.0
PART NAME	FILE NAME	POS		
3d views	pac_pr_peanut-roaster.iam	A1		
DEVELOPED BY	REDESIGNED BY	DOC. TYPE	MATERIAL	QUANTITY
Practical Action	OHO e.V.	Assembly		1
		LICENCE	SCALE	SHEET
		CC-BY-SA 4.0	1:20	1 /15



Note: All units in mm.

PROJECT	CREATED BY	APPROVED BY	DATE	VERSION
Peanut roaster	J. Zeron	A. Morillo	24/06/2021	1.0
PART NAME	FILE NAME	POS		
3d views	pac_pr_peanut-roaster.iam	A1		
DEVELOPED BY	REDESIGNED BY	DOC. TYPE	MATERIAL	QUANTITY
		Assembly		1
Practical Action	OHO e.V.	LICENCE	SCALE	SHEET
		CC-BY-SA 4.0	1:20	2 /15