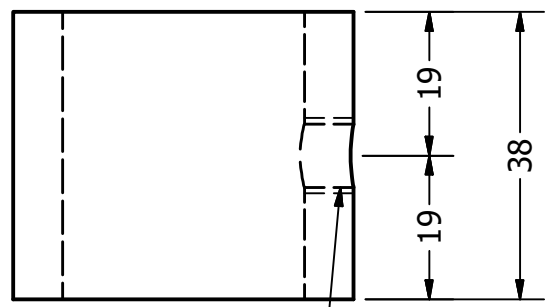
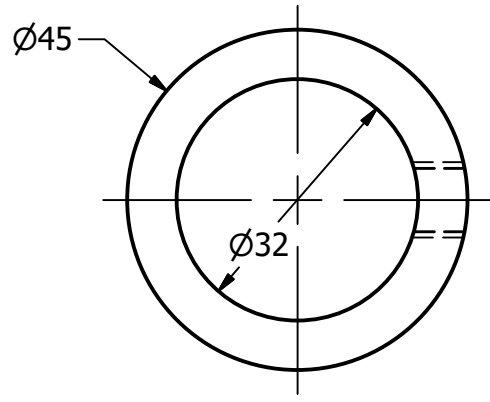


4

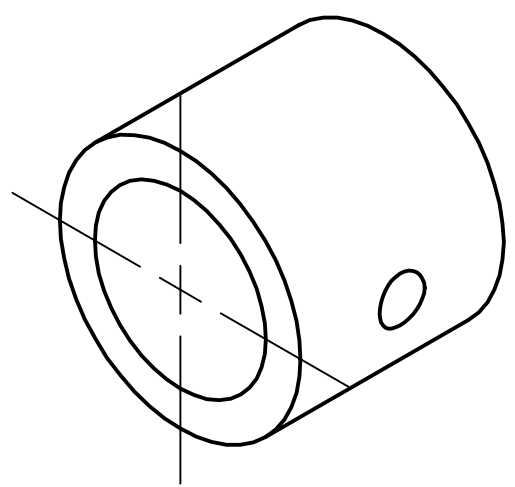
3

2

1



M10x1.5 - 6H



B


B

A

A

A

A

Project Crown cap machine		Created by D. Mosquera	Approved by D. Jeager		
Part Name bush-for-height		Part Code 1.3	Document Type part	Material Steel ASTM A36	
Redesigned by  OPEN SOURCE ECOLOGY GERMANY	Original drawing from Practical ACTION	License CERN-OHL	File Name oseg_ccm_1.3_bush-for-height.ipt	Version 1.0	Quantity 1
			Scale 1:1	Sheet 9	Date 16.11.20

4

3

2

1