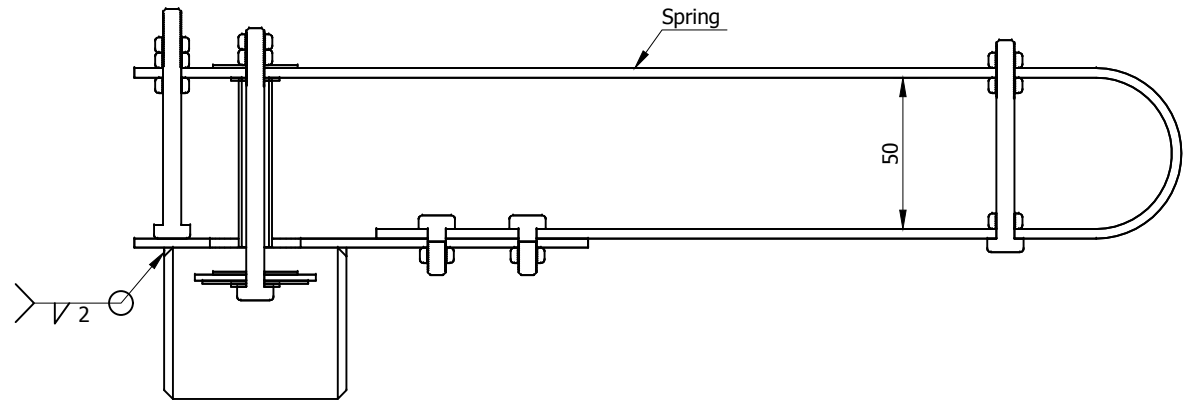
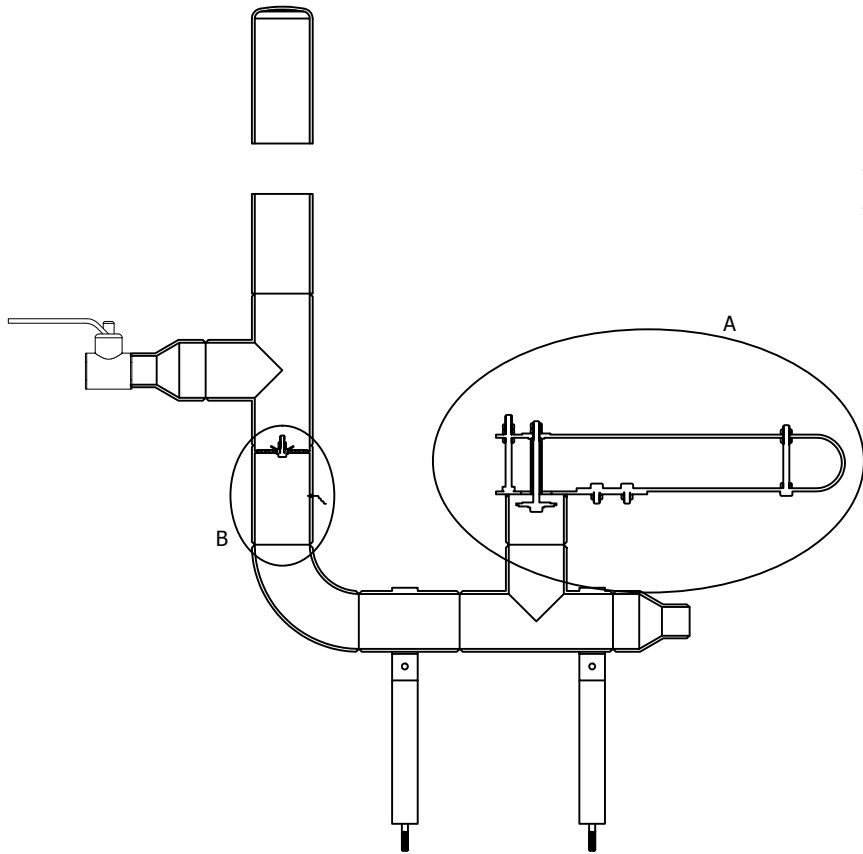
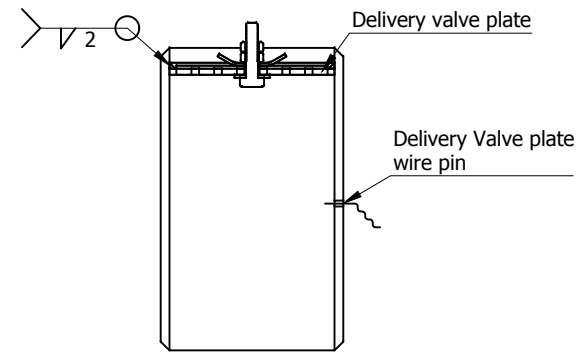


Note: All units in mm.

|                              |   |              |            |          |
|------------------------------|---|--------------|------------|----------|
| PROJECT                      | CREATED BY                                  | APPROVED BY  | DATE       | VERSION  |
| Hydraulic Ram for Pumping W. | E. Araujo                                   | A. Morillo   | 13/07/2021 | 1.0      |
| PART NAME                    | FILE NAME                                   |              |            | POS      |
| 3d views                     | pac_hrw_hydraulic-ram-for-pumping-water.dwg |              |            | A1       |
| DEVELOPED BY                 | REDESIGNED BY                               | DOC. TYPE    | MATERIAL   | QUANTITY |
| Practical Action             | OHO e.V.                                    | Assembly     |            | 1        |
|                              |   | LICENCE      | SCALE      | SHEET    |
|                              |   | CC-BY-SA 4.0 | 1:10       | 1/16     |

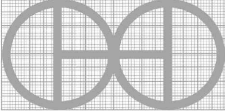


**Detail B**  
Esc.: 1:2.5



**Detail A**  
Esc.: 1:2.5

Note: All units in mm.

|                              |   |              |            |          |
|------------------------------|---|--------------|------------|----------|
| PROJECT                      | CREATED BY  | APPROVED BY  | DATE       | VERSION  |
| Hydraulic Ram for Pumping W. | E. Araujo   | A. Morillo   | 13/07/2021 | 1.0      |
| PART NAME                    | FILE NAME   |              |            | POS      |
| 3d views                     | pac_hrw_hydraulic-ram-for-pumping-water.dwg   |              |            | A1       |
| DEVELOPED BY                 | REDESIGNED BY   | DOC. TYPE    | MATERIAL   | QUANTITY |
|                              |  | Assembly     |            | 1        |
| Practical Action             | OHO e.V.  | LICENCE      | SCALE      | SHEET    |
|                              |   | CC-BY-SA 4.0 | 1:7.5      | 2/16     |