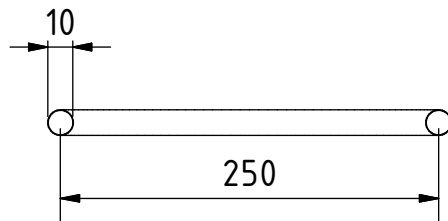
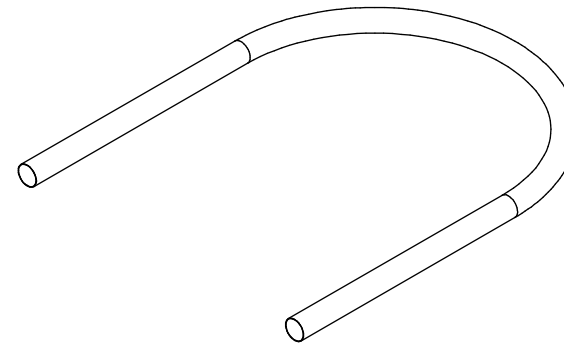
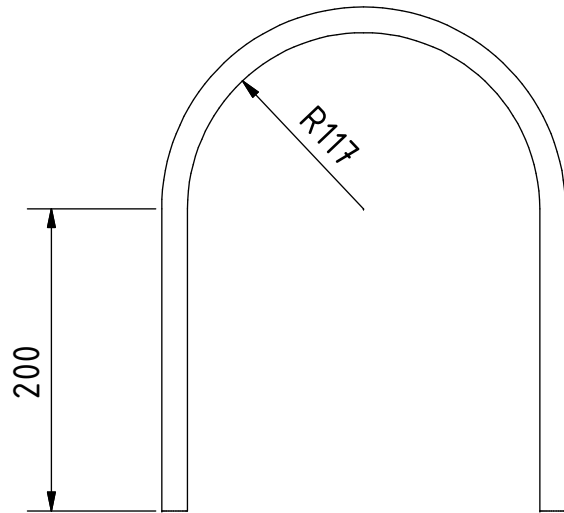
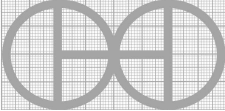


# PLAN ( 1 : 5 )



Note: All units in mm.

PROJECT	CREATED BY	APPROVED BY	DATE	VERSION
Smelting Furnace	J. Zeron	A. Morillo	01/08/2021	1.0
PART NAME	FILE NAME			POS
Tubing	Tubing.ipt			2.13
DEVELOPED BY	REDESIGNED BY	DOC. TYPE	MATERIAL	QUANTITY
		Part	Cooper tubing	2
Popular Mechanics No. 297	OHO e.V.	LICENCE	SCALE	SHEET
		CC-BY-SA 4.0	1:5	12 /16