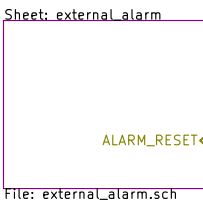
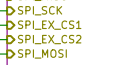
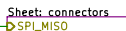
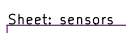
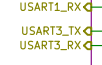


File: power\_supplies.sch



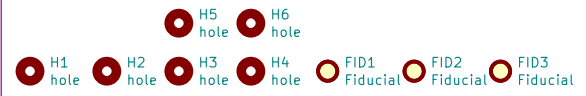
File: uC.sch



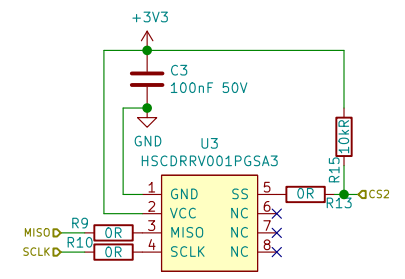
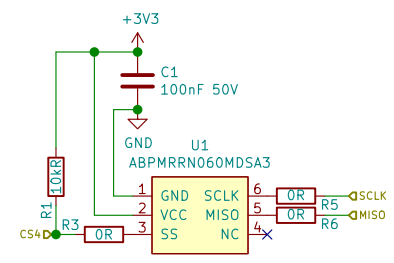
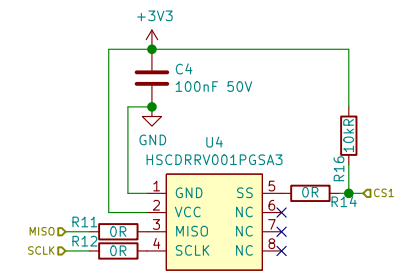
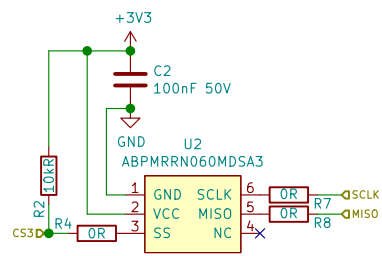
File: external\_alarm.sch



File: uC.sch



Maciej Żarnowski	
<b>VentilAid</b>	
Sheet: /	
File: VentilAidMainBoard.sch	
<b>Title: Main Board for V3</b>	
Size: A4	Date: 2020-04-20
KiCad E.D.A. kicad (5.1.6)-1	Rev: 1.0
	Id: 1/6

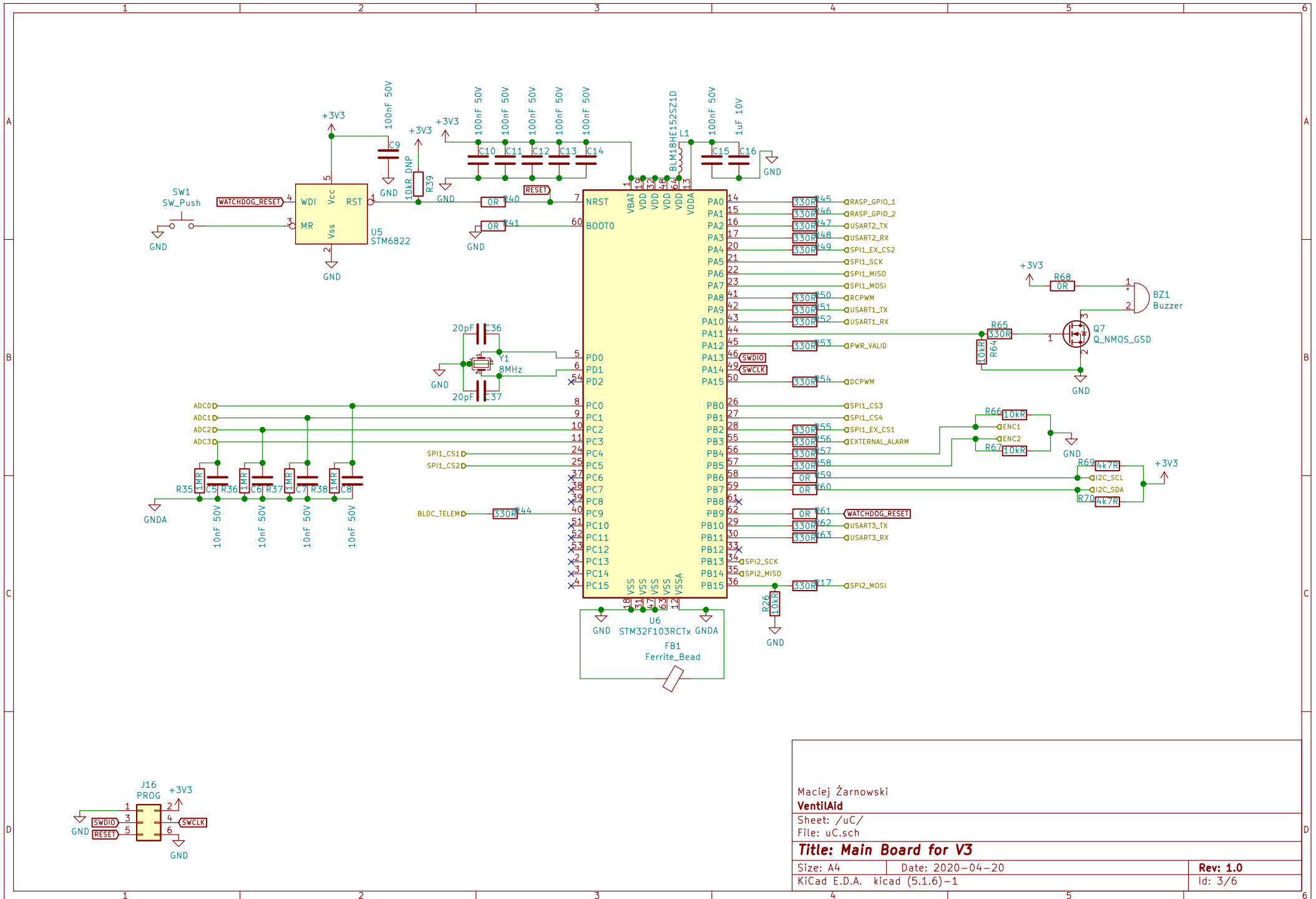


Maciej Żarnowski  
**VentilAid**  
 Sheet: /sensors/  
 File: sensors.sch

**Title: Main Board for V3**

Size: A4 Date: 2020-04-20  
 KiCad E.D.A. kicad (5.1.6)-1

**Rev: 1.0**  
 Id: 2/6



Maciej Żarnowski

VentiAid

Sheet: /uC/

File: uC.sch

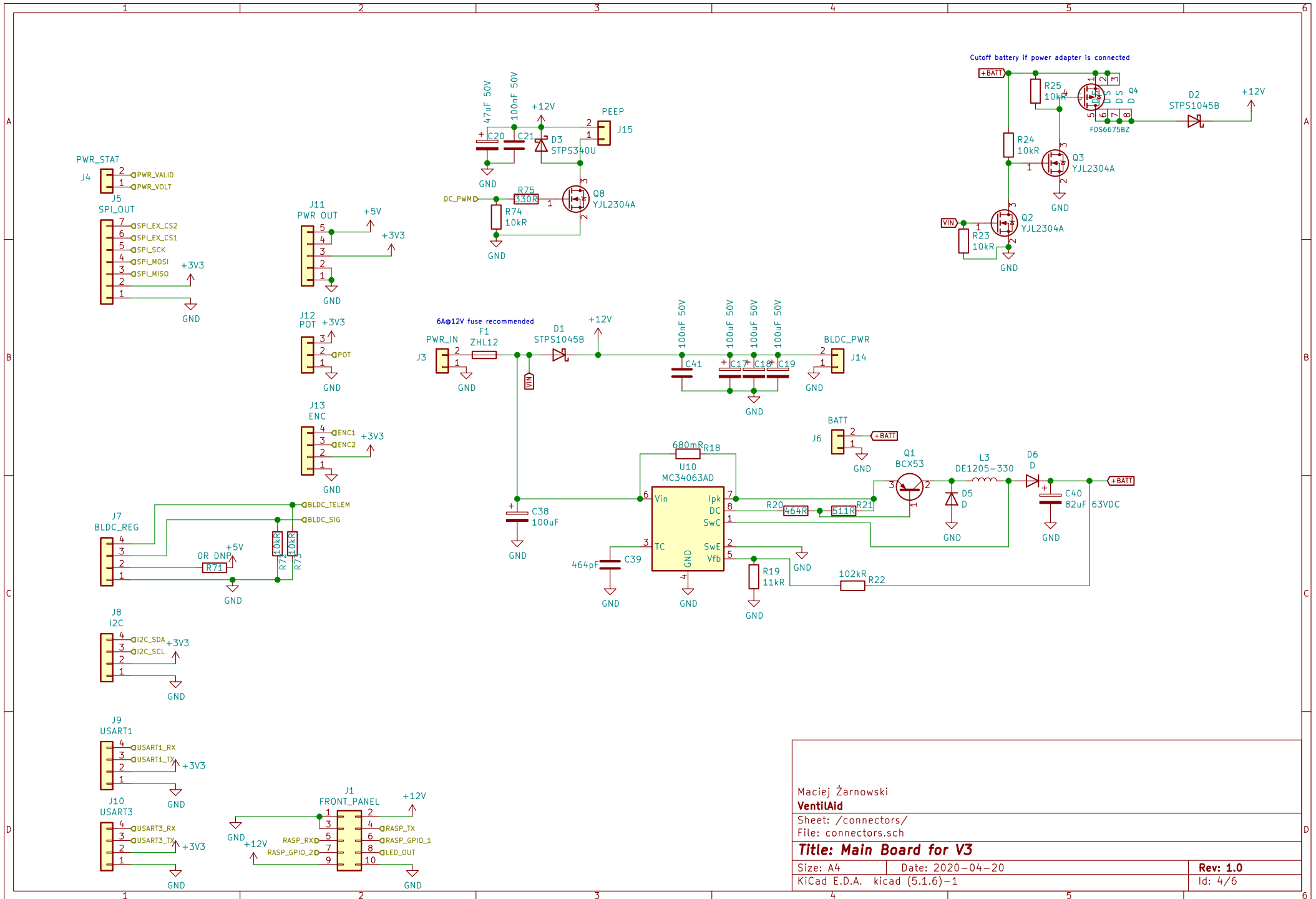
**Title: Main Board for V3**

Size: A4 Date: 2020-04-20

KiCad E.D.A. kicad (5.1.6)-1

Rev: 1.0

Id: 3/6



Maciej Żarnowski

**VentiAid**

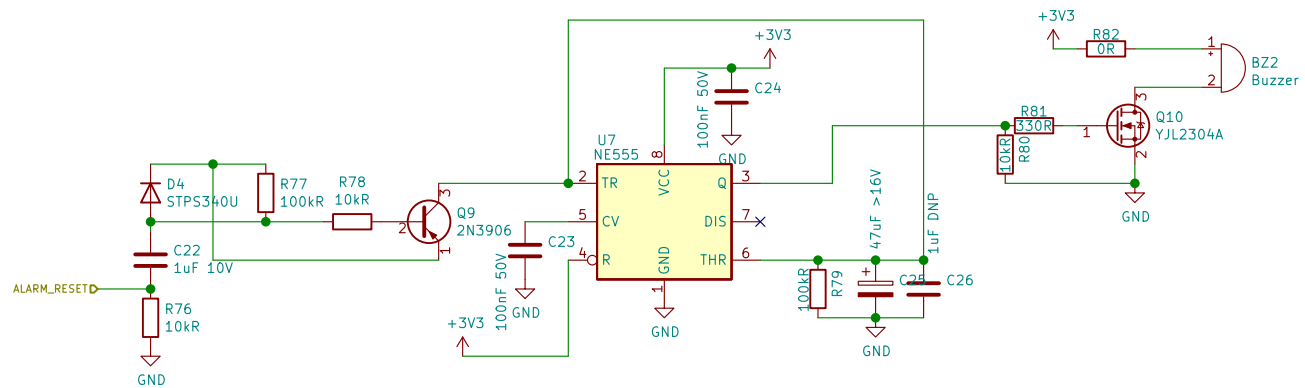
Sheet: /connectors/

File: connectors.sch

**Title: Main Board for V3**

Size: A4	Date: 2020-04-20	Rev: 1.0
KiCad E.D.A. kicad (5.1.6)-1		Id: 4/6

Missing pulse detector  
If program hangs up it doesn't change ALARM\_RESET pin state  
After 500ms alarm should sound



Maciej Żarnowski

**VentilAid**

Sheet: /external\_alarm/

File: external\_alarm.sch

**Title: Main Board for V3**

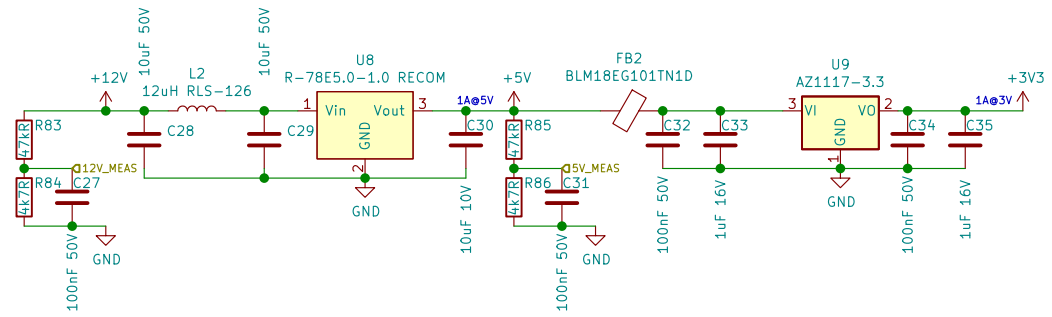
Size: A4

Date: 2020-04-20

**Rev: 1.0**

KiCad E.D.A. kicad (5.1.6)-1

Id: 5/6



Sheet: /power\_supplies/  
 File: power\_supplies.sch

**Title:**

Size: A4  
 KiCad E.D.A. kicad (5.1.6)-1

Date:

Rev:  
 Id: 6/6