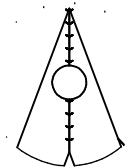
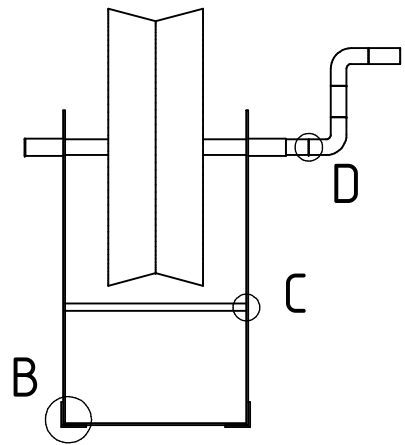
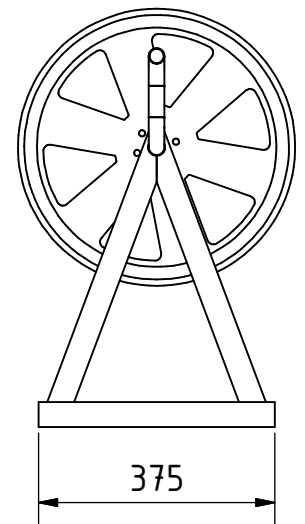
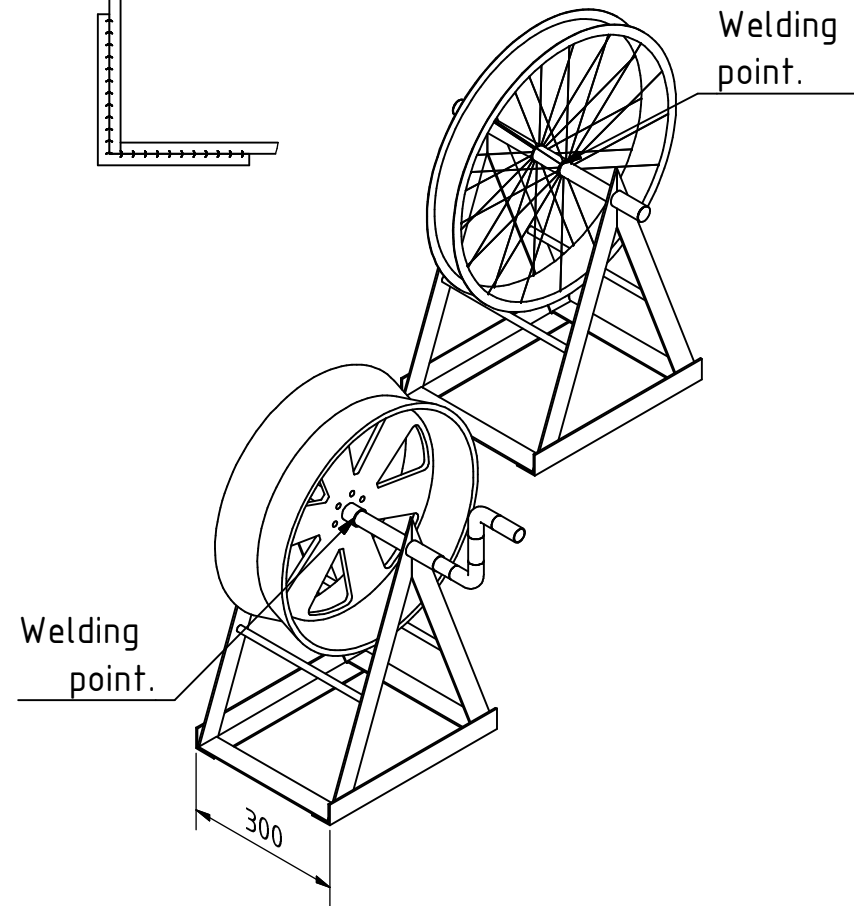
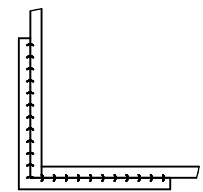


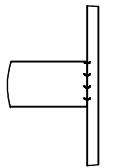
A ( 1 : 6 )



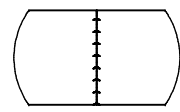
B ( 1 : 2 )



C ( 1 : 2 )

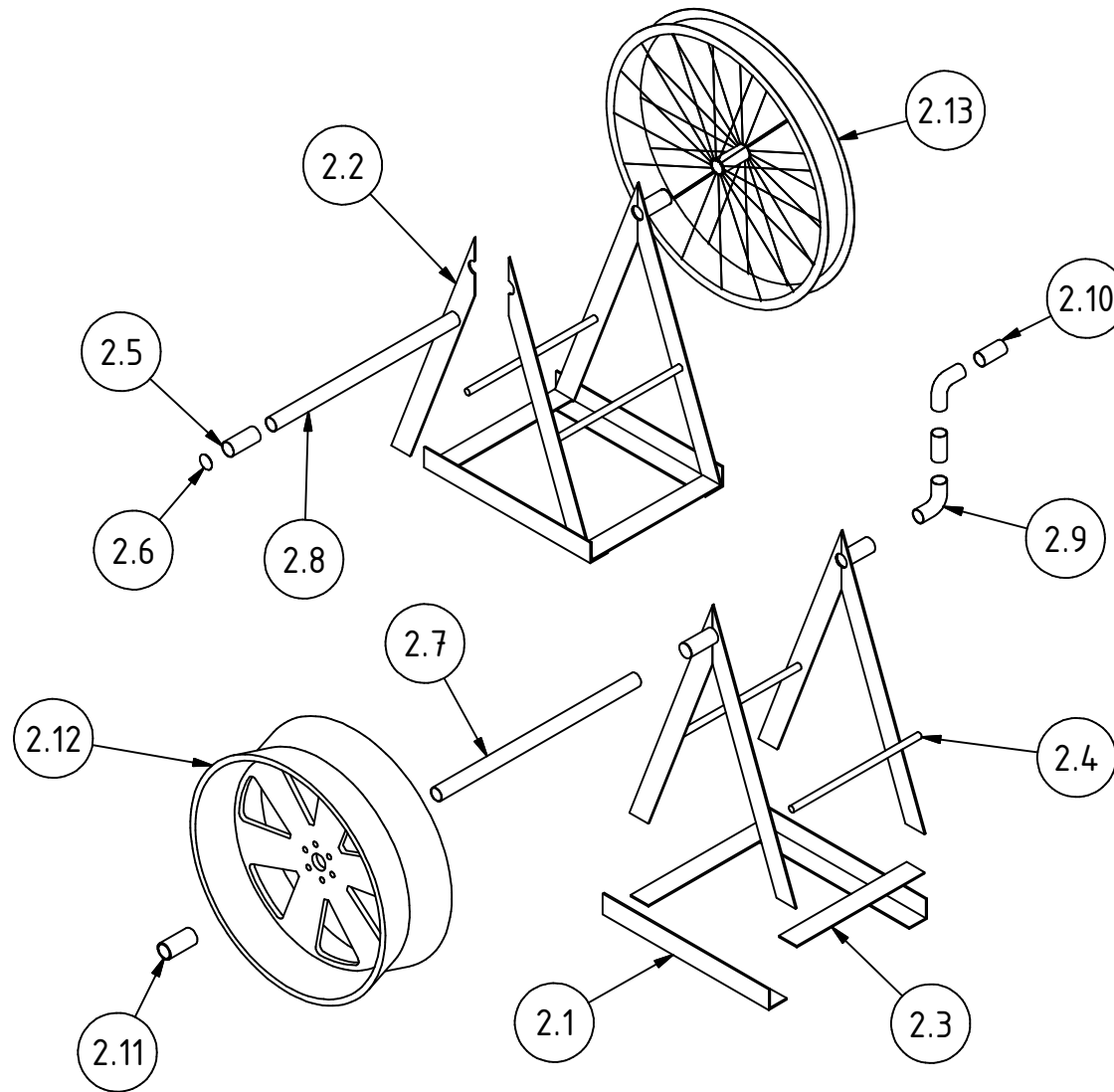


D ( 1 : 2 )

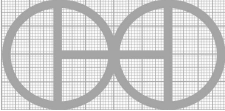


Note: All units in mm.

PROJECT Rope Pump with Depth adjustable		CREATED BY J. Zeron	APPROVED BY A. Morillo	DATE 30/08/2021	VERSION 1.0
PART NAME Wheel structure		FILE NAME Wheel structure.ipn			POS 2.0
DEVELOPED BY Appropedia	REDESIGNED BY OHO e.V.	DOC. TYPE Assembly	MATERIAL	QUANTITY 1	
		LICENCE CC-BY-SA 4.0	SCALE 1:10	SHEET 10 /22	



Note: All units in mm.

PROJECT Rope Pump with Depth adjustable		CREATED BY J. Zeron		APPROVED BY A. Morillo		DATE 30/08/2021		VERSION 1.0		
PART NAME Wheel structure		FILE NAME Wheel structure.ipn							POS 2.0	
DEVELOPED BY Appropedia		REDESIGNED BY OHO e.V.		DOC. TYPE Assembly		MATERIAL		QUANTITY 1		
				LICENCE CC-BY-SA 4.0		SCALE 1:12		SHEET 11 /22		