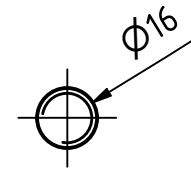
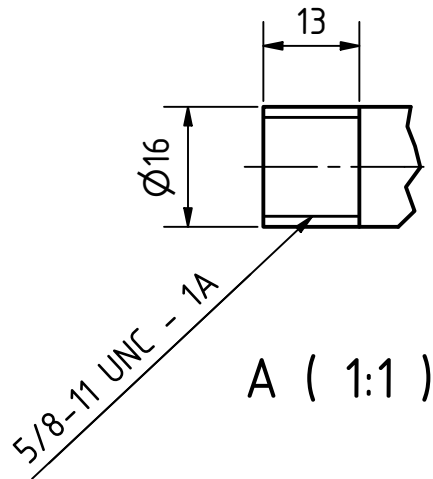


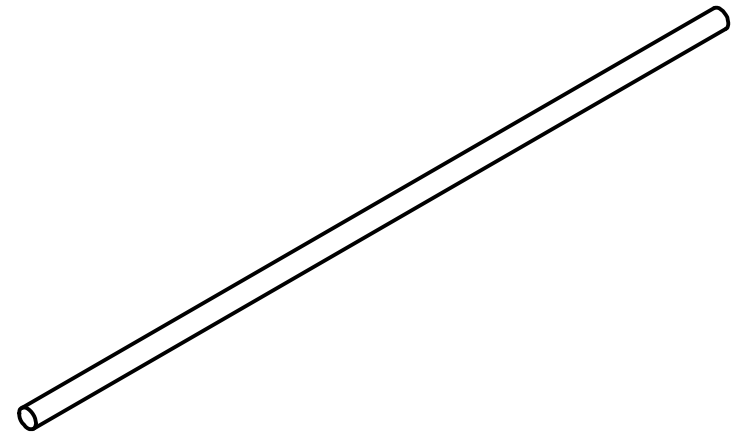
FRONT ( 1 : 2 )



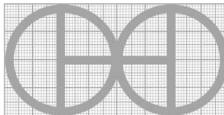
SIDE ( 1 : 2 )



A ( 1:1 )



ISOMETRIC ( 1 : 5 )

PROJECT		CREATED BY	APPROVED BY	DATE	VERSION
Homes tead cart		E. CEBALLOS	A. MORILLO	24-05-2021	1.0
PART NAME		FILE NAME			PART CODE
rod (5/8")		rod.ipt			3
DEVELOPED BY	REDESIGNED BY	SUPPORTED BY	DOC. TYPE	MATERIAL	QUANTITY
			PART	steel, ASTM 1045 / DIN C45	1
Unknown	OHO e.V.		LICENCE	SCALE	SHEET
			CC-BY-SA 4.0	1:2	6 / 7