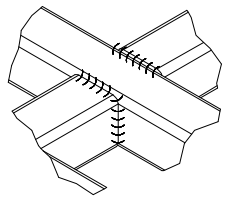
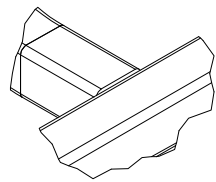


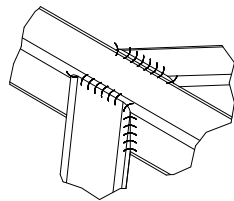
BG (1 : 3)



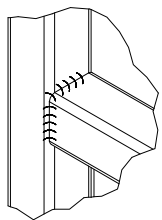
AJ (1 : 3)



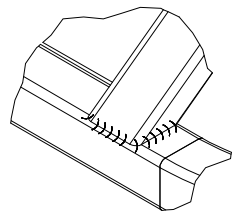
AK (1 : 3)



AL (1 : 3)



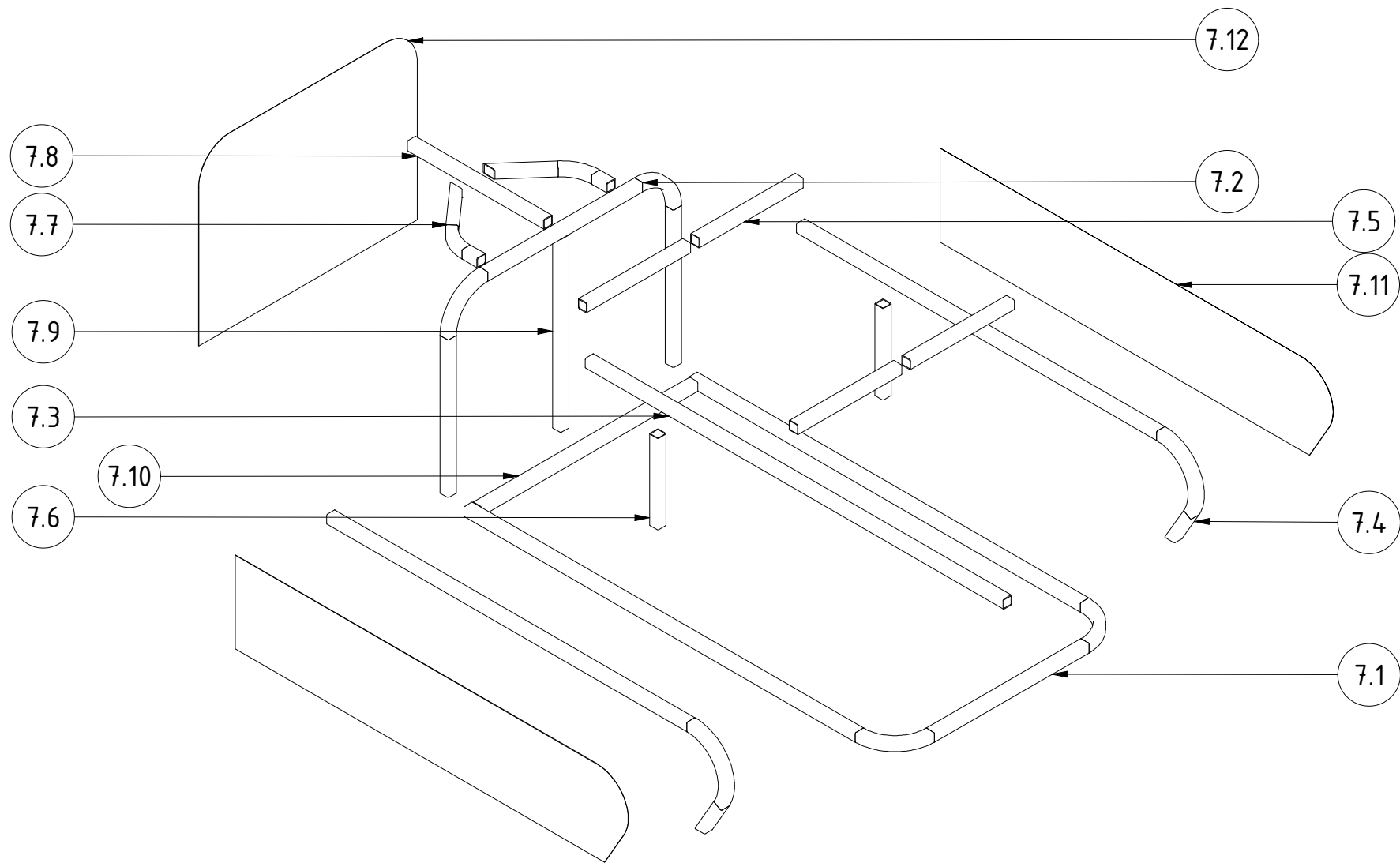
AG (1 : 3)



AH (1 : 3)

Note: All units in mm.

| | | | | | |
|--|---------------------------|---------------------------------------|---------------------------|--------------------|----------------|
| PROJECT Convertible Bicycle Trailer for People - with shock absorber | | CREATED BY J. Rosciano | APPROVED BY A. Morillo | DATE 26/07/2021 | VERSION 1.1 |
| PART NAME Upper frame assembly | | FILE NAME Upper frame assembly.iam | | | POS 7.0 |
| DEVELOPED BY Practical Action | REDESIGNED BY OHO e.V. | DOC. TYPE Assembly | MATERIAL | QUANTITY 1 | |
| | | LICENCE CC-BY-SA 4.0 | SCALE 1/14 | SHEET 40 /51 | |



| | | | | | | | | | | |
|---|--|---------------------------------------|--|---------------------------|--|--------------------|--|-----------------|------------|--|
| PROJECT Convertible Bicycle Trailer for People - with shock absorber | | CREATED BY J. Rosciano | | APPROVED BY A. Morillo | | DATE 26/07/2021 | | VERSION 1.1 | | |
| PART NAME Upper frame assembly | | FILE NAME Upper frame assembly.ipn | | | | | | | POS 7.0 | |
| DEVELOPED BY Practical Action | | REDESIGNED BY OHO e.V. | | DOC. TYPE Assembly | | MATERIAL | | QUANTITY 1 | | |
| | | | | LICENCE CC-BY-SA 4.0 | | SCALE 1/12 | | SHEET 41 /51 | | |