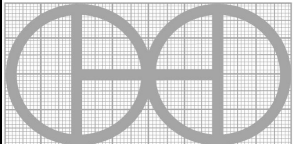
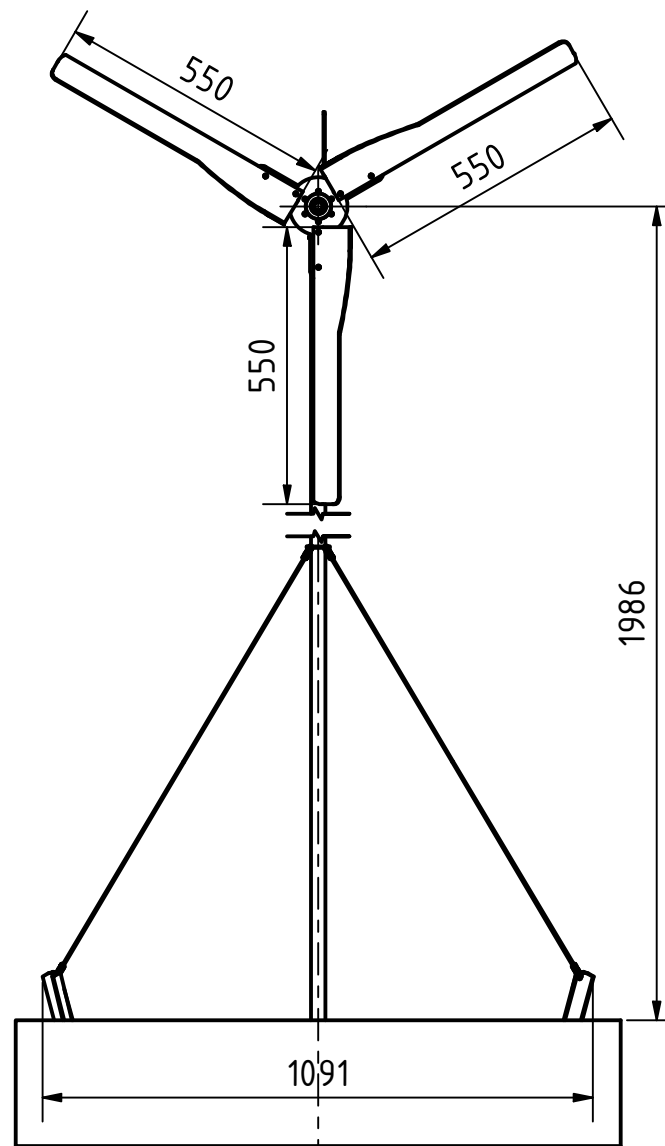
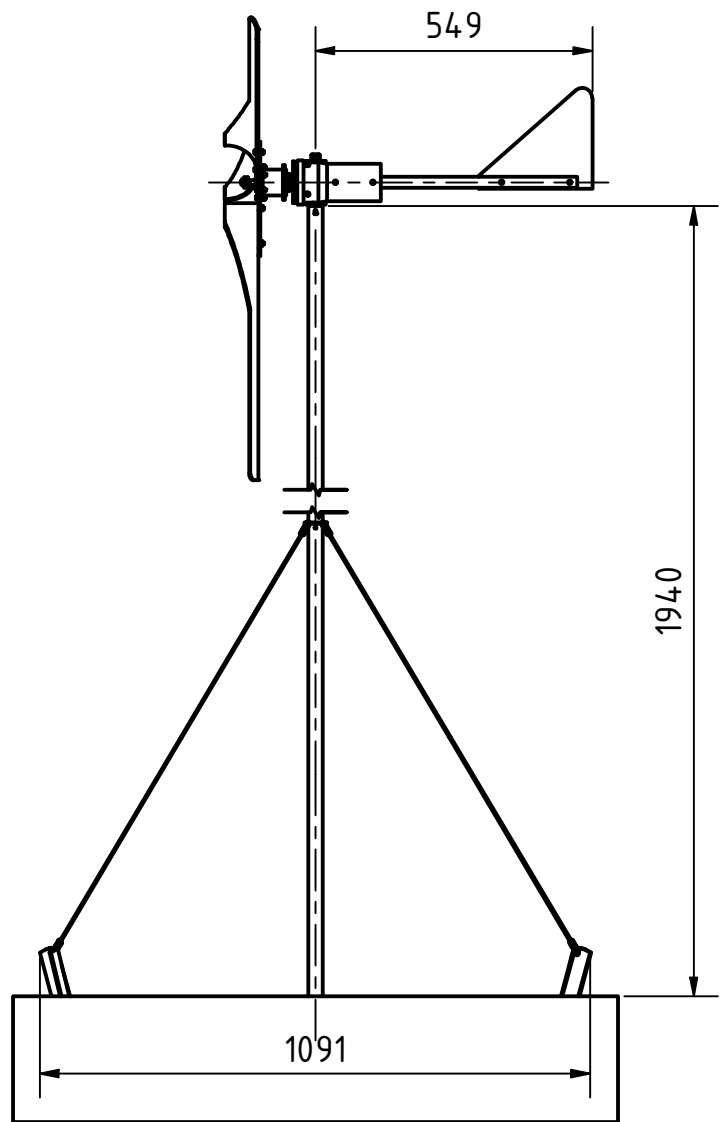
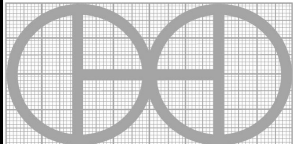


PROJECT	CREATED BY	APPROVED BY	DATE	VERSION
Horizontal shaft turbine	D. MOSQUERA	A. MORILLO	15/11/2021	1.0
PART NAME	FILE NAME			POS
3D views	ygh_hts_A1-wind-turbine.iam			A1
DEVELOPED BY	REDESIGNED BY	DOC. TYPE	MATERIAL	QUANTITY
Original developer		Assembly		1
		LICENCE	SCALE	SHEET
		CC-BY-SA 4.0	1:4	1 /28

OHO e.V.



PROJECT	CREATED BY	APPROVED BY	DATE	VERSION
Horizontal shaft turbine	D. MOSQUERA	A. MORILLO	15/11/2021	1.0
PART NAME	FILE NAME	POS		
3D views	ygh_hts_A1-wind-turbine.iam	A1		
DEVELOPED BY	REDESIGNED BY	DOC. TYPE	MATERIAL	QUANTITY
Original developer		Assembly		1
		LICENCE	SCALE	SHEET
		CC-BY-SA 4.0		2 /28