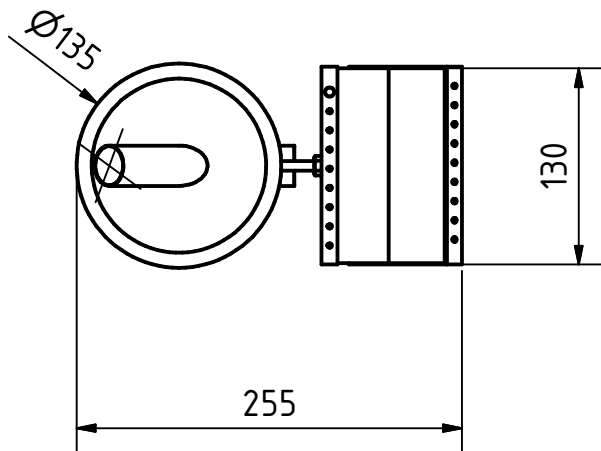
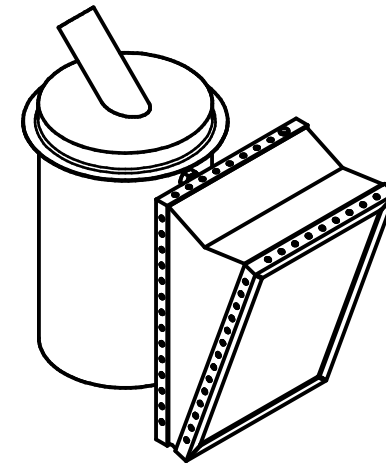
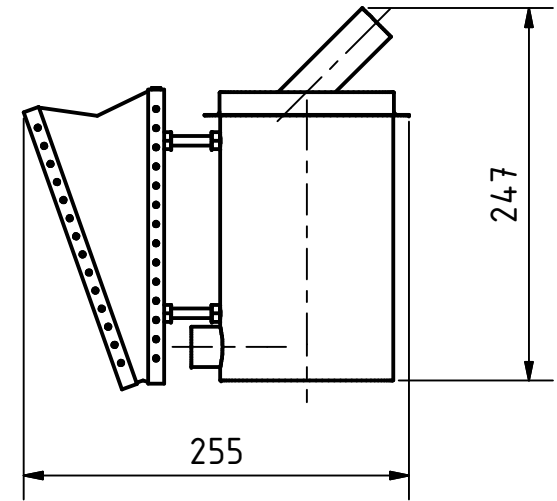
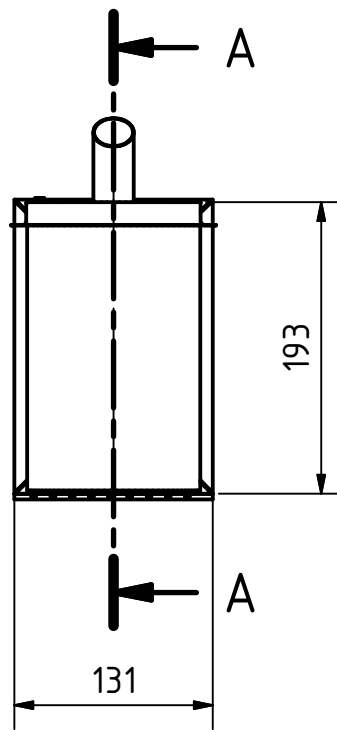
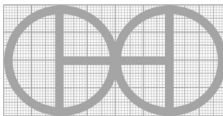
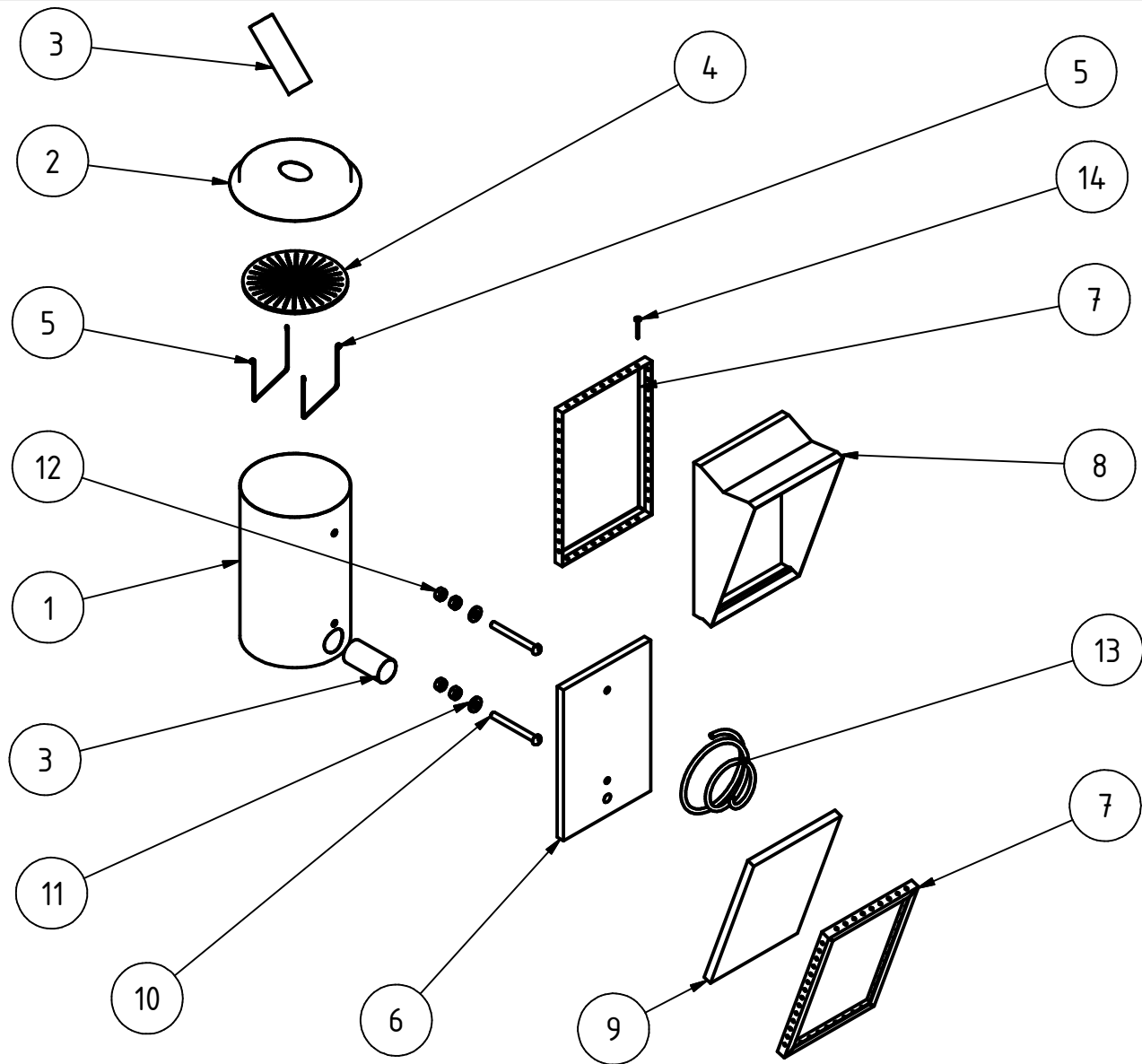
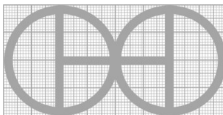


A-A (1 : 5)



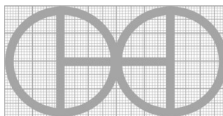
PROJECT		CREATED BY		APPROVED BY		DATE		VERSION		
Bee Smoker		E. CEBALLOS		A. MORILLO		16-05-2021		1.0		
PART NAME		FILE NAME							PART CODE	
Bee Smoker		Proyecto AF-AH_A1_P1 Bee Smoker.iam							A	
DEVELOPED BY		REDESIGNED BY		SUPPORTED BY		DOC. TYPE		MATERIAL		
						ASSEMBLY				
AMERICAN PEACE CORPS		OHO e.V.				LICENCE		SCALE		
						CC-BY-SA 4.0		1:5		
								SHEET		
								1 / 12		

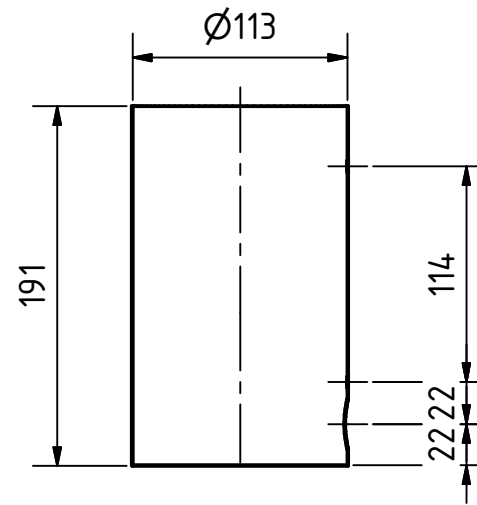
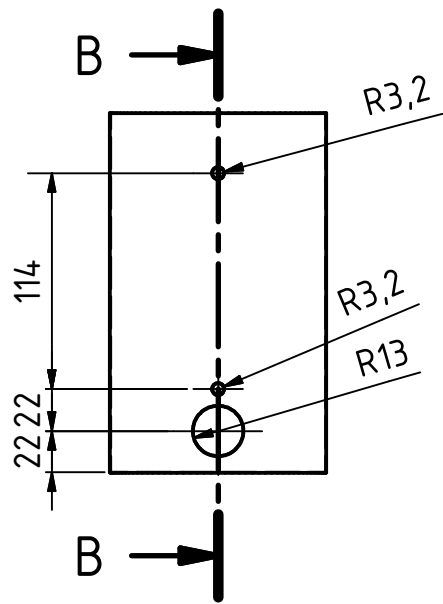


PROJECT		CREATED BY		APPROVED BY		DATE		VERSION		
Bee Smoker		E. CEBALLOS		A. MORILLO		16-05-2021		1.0		
PART NAME		FILE NAME							PART CODE	
Bee Smoker		Proyecto AF-AH_A1_P1 Bee Smoker.iam							A	
DEVELOPED BY		REDESIGNED BY		SUPPORTED BY		DOC. TYPE		MATERIAL		
						ASSEMBLY				
AMERICAN PEACE CORPS		OHO e.V.				LICENCE		SCALE		
						CC-BY-SA 4.0		1:7		
								SHEET		
								2 / 12		

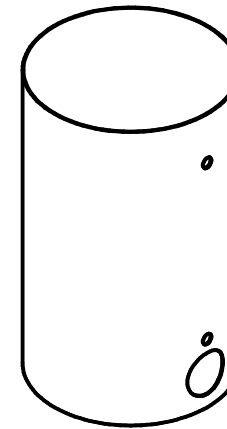
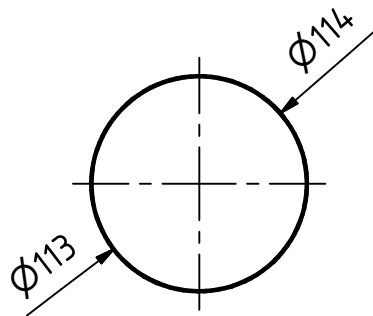
PARTS LIST

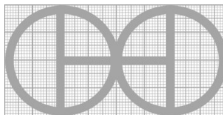
POS	QTY	PART NAME	FILE NAME	PART TYPE	SPECIFICATIONS	SHEET
A		Bee Smoker	Proyecto AF-AH_A1_P1 Bee Smoker.iam			1-2
B		Part List				3
1	1	Tank	Tank.ipt	Production	Steel C45, caliber 26	4
2	1	Top	Top.ipt	Production	Steel C45, caliber 26	5
3	2	Tube 3_4 inch	Tube 3_4 inch.ipt	Production	Steel C45, D. 3/4"	6
4	1	Metal tray	metal tray.ipt	Production	Steel C45	7
5	2	Wire supports	Wire supports.ipt	Production	Steel C45,	8
6	1	Table_1	Table_1.ipt	Production	MDF / plywood, thickness 3/8"	10
7	2	Metal frame	Metal frame.ipt	Production	Steel C45	11
8	1	Vinyl	Vinyl.ipt	Production	Vinyl	12
9	1	Table_2	Table_2.ipt	Production	MDF/ plywood, thickness 3/8"	13
10	2	Bolt		Standard	ANSI B18.6.3 - 1/4-28 UNF - 2,5 SR HMS	
11	2	Washer		Standard	ASTM F436 - 1/4, CW	
12	6	Nut		Standard	AS 2465 - 1/4 UNF	
13	1	Spring		Standard	Conical Steel spring D. 9 cm; H. 13cm	
14	20	Nail		Standard	Nail 25x1.4 mm	

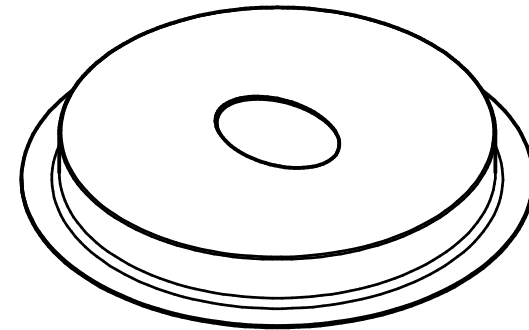
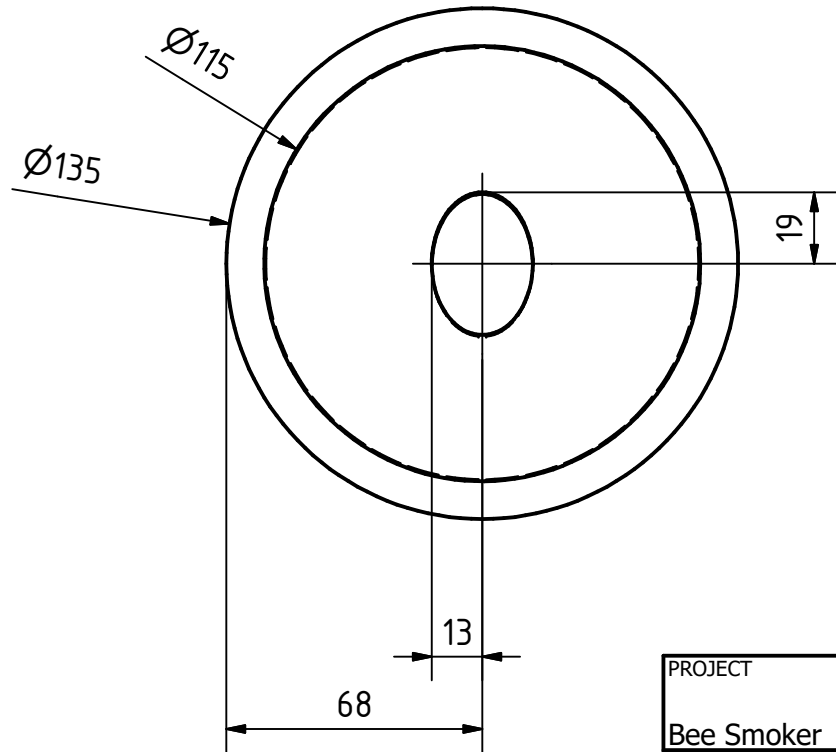
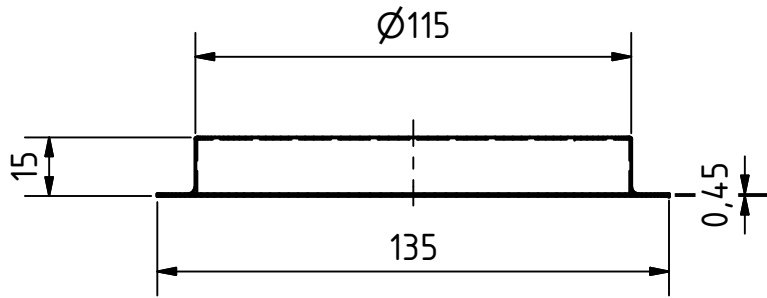
PROJECT		CREATED BY	APPROVED BY	DATE	VERSION
Bee Smoker		E. CEBALLOS	A. MORILLO	16-05-2021	1.0
PART NAME		FILE NAME			PART CODE
Part List					B
DEVELOPED BY	REDESIGNED BY	SUPPORTED BY	DOC. TYPE	MATERIAL	QUANTITY
			PART LIST		
AMERICAN PEACE CORPS		OHO e.V.	LICENCE	SCALE	SHEET
			CC-BY-SA 4.0		3 / 12

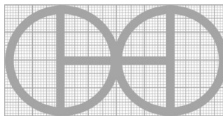


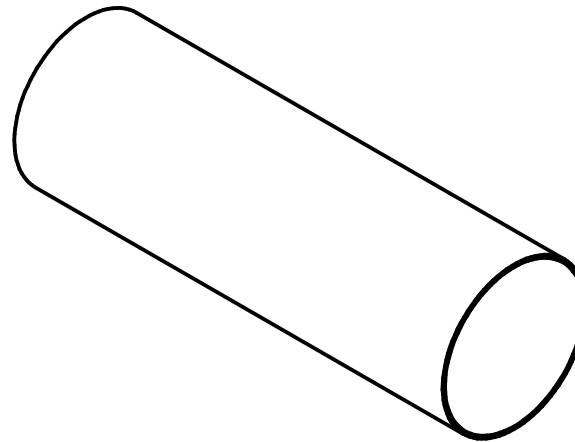
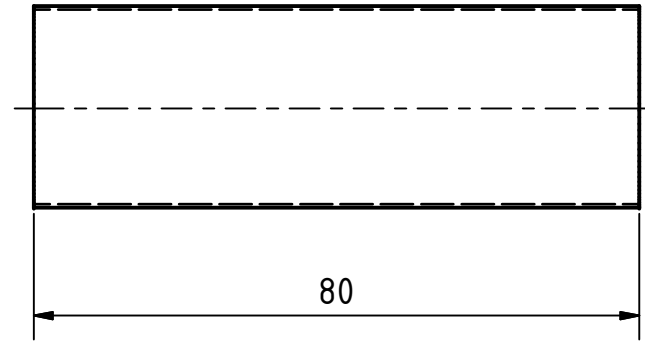
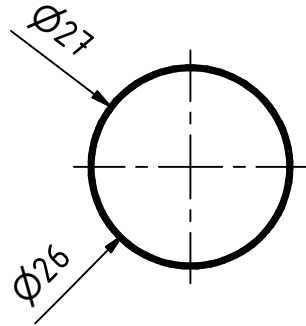
B-B (1 : 4)

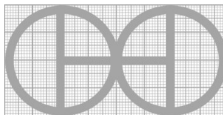


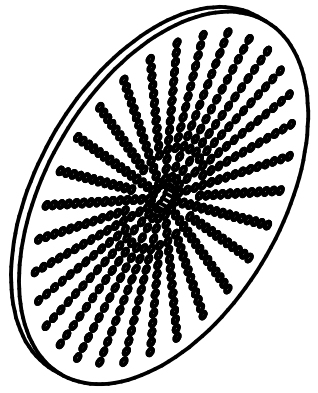
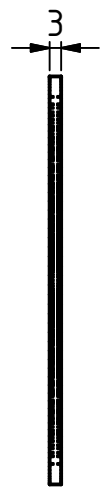
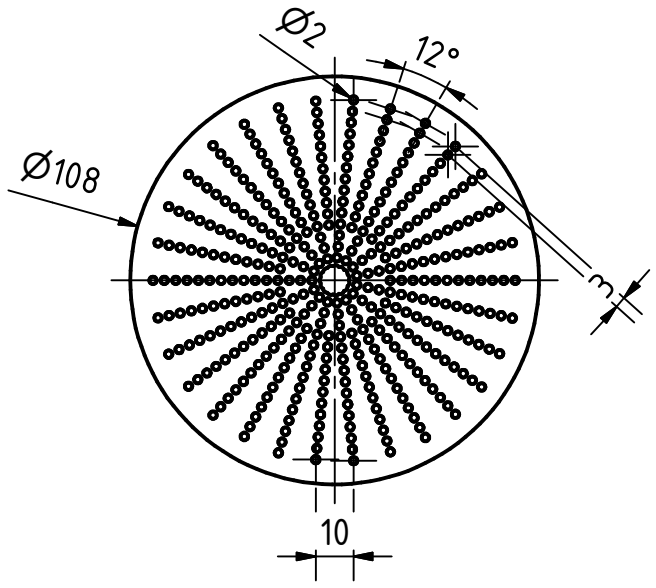
PROJECT		CREATED BY		APPROVED BY		DATE	VERSION	
Bee Smoker		E. CEBALLOS		A. MORILLO		16-05-2021	1.0	
PART NAME		FILE NAME					PART CODE	
Tank		Tank.ipt					1	
DEVELOPED BY	REDESIGNED BY	SUPPORTED BY		DOC. TYPE	MATERIAL		QUANTITY	
				PART	Steel C45		1	
AMERICAN PEACE CORPS	OHO e.V.			LICENCE	SCALE	SHEET		
				CC-BY-SA 4.0	1:4	4 / 12		

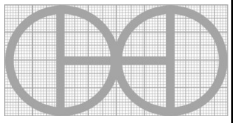


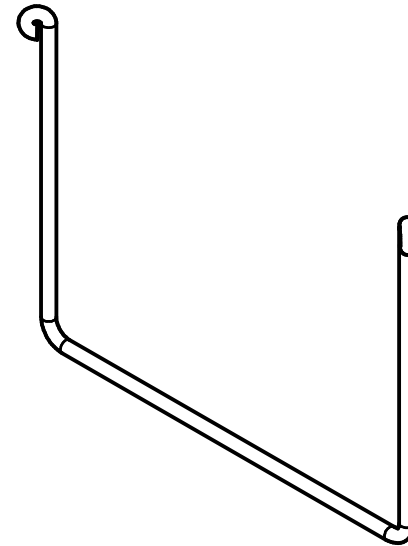
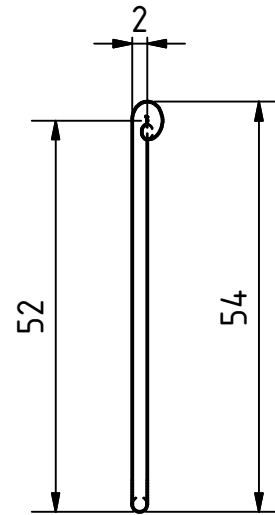
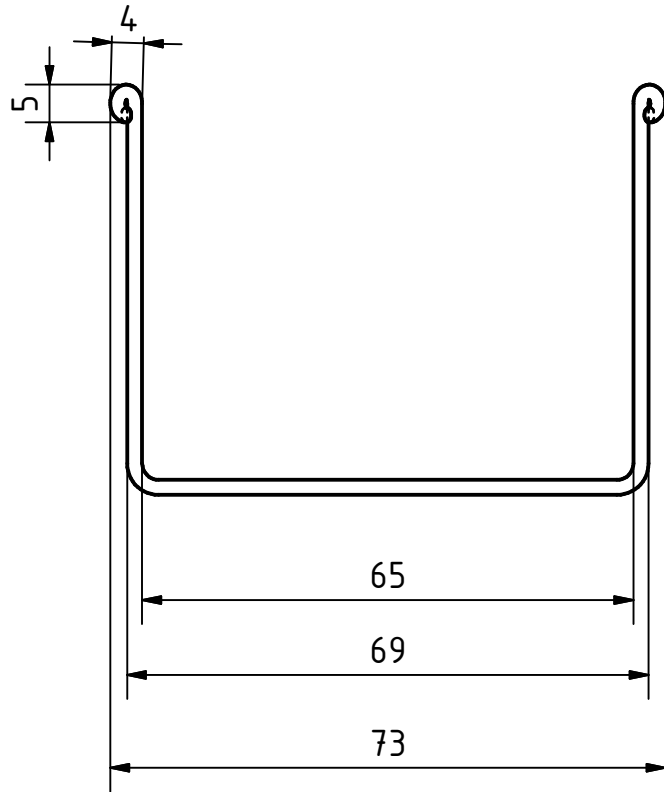
PROJECT		CREATED BY	APPROVED BY	DATE	VERSION
Bee Smoker		E. CEBALLOS	A. MORILLO	16-05-2021	1.0
PART NAME		FILE NAME			PART CODE
Top		Top.ipt			2
DEVELOPED BY	REDESIGNED BY	SUPPORTED BY	DOC. TYPE	MATERIAL	QUANTITY
			PART	Steel C45	1
AMERICAN PEACE CORPS		OHO e.V.	LICENCE	SCALE	SHEET
			CC-BY-SA 4.0	1:2	5 / 12




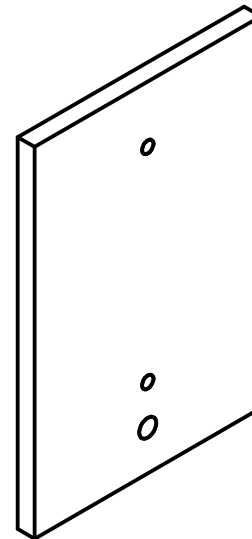
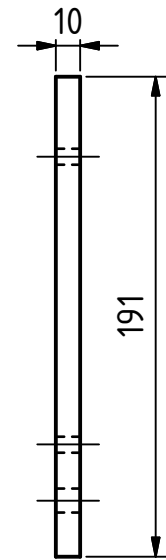
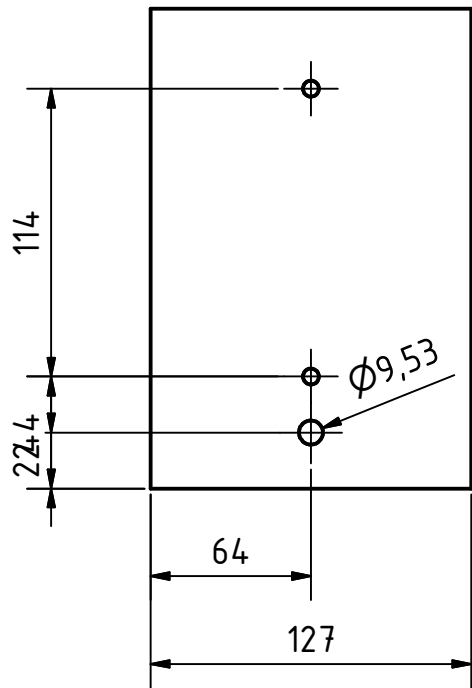
PROJECT		CREATED BY		APPROVED BY		DATE	VERSION	
Bee Smoker		E. CEBALLOS		A. MORILLO		16-05-2021	1.0	
PART NAME		FILE NAME					PART CODE	
Tube 3_4 inch		Tube 3_4 inch.ipt					3	
DEVELOPED BY		REDESIGNED BY		SUPPORTED BY		DOC. TYPE	MATERIAL	
						PART	Steel C45	
AMERICAN PEACE CORPS		OHO e.V.				LICENCE	SCALE	
						CC-BY-SA 4.0	1:1	
							6 / 12	

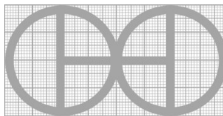


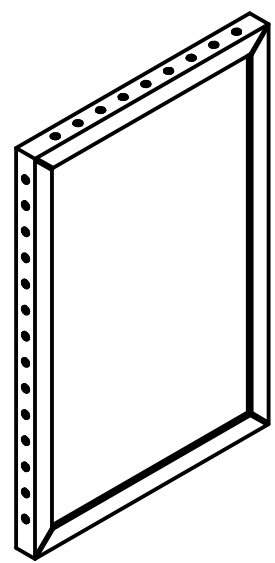
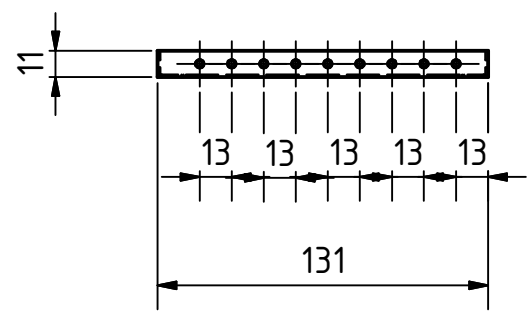
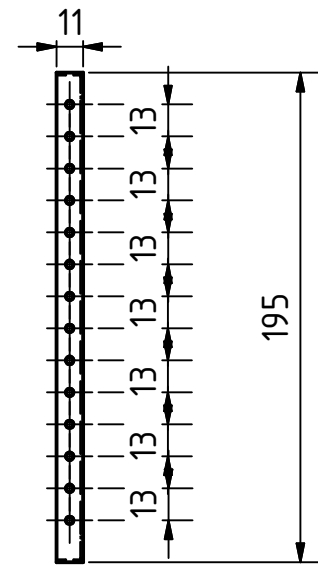
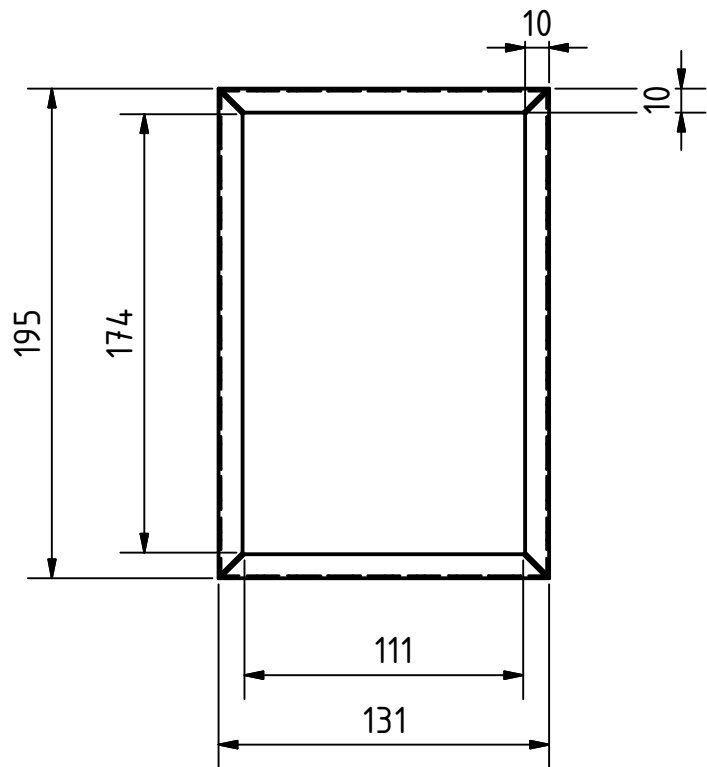
PROJECT		CREATED BY		APPROVED BY		DATE		VERSION	
Bee Smoker		E. CEBALLOS		A. MORILLO		16-05-2021		1.0	
PART NAME				FILE NAME				PART CODE	
Metal tray				metal tray.ipt				4	
DEVELOPED BY		REDESIGNED BY		SUPPORTED BY		DOC. TYPE		MATERIAL	
						PART		Steel C45	
AMERICAN PEACE CORPS		OHO e.V.				LICENCE		SCALE	
						CC-BY-SA 4.0		1:2	
								QUANTITY	
								1	
								SHEET	
								7 / 12	

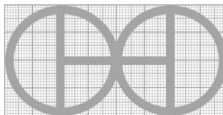


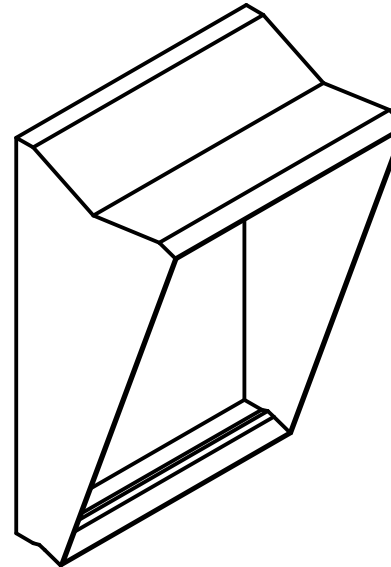
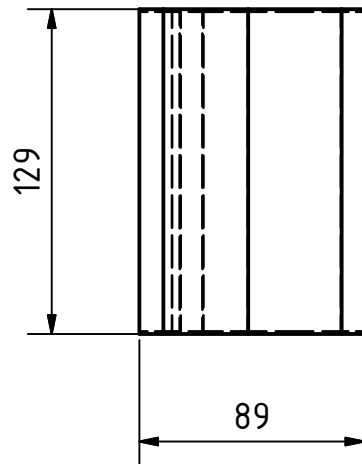
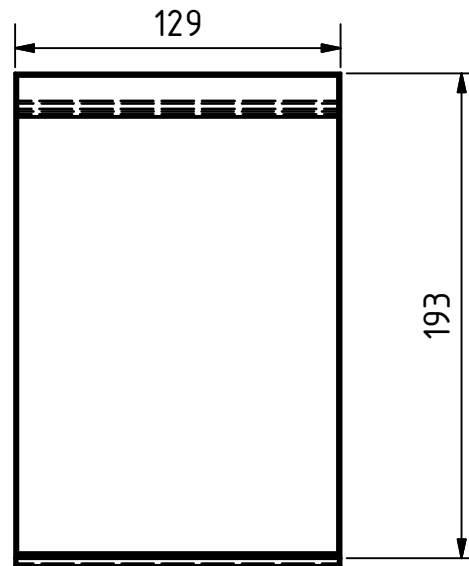
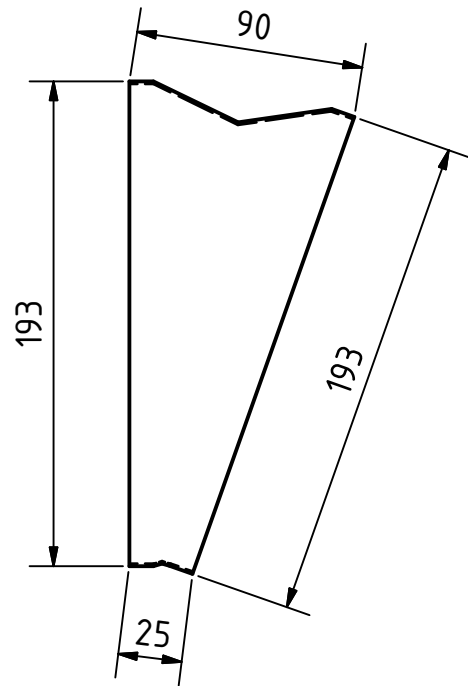
PROJECT		CREATED BY		APPROVED BY		DATE	VERSION	
Bee Smoker		E. CEBALLOS		A. MORILLO		16-05-2021	1.0	
PART NAME		FILE NAME					PART CODE	
Wire supports		Wire supports.ipt					5	
DEVELOPED BY	REDESIGNED BY	SUPPORTED BY		DOC. TYPE	MATERIAL		QUANTITY	
				PART	Steel C45		2	
AMERICAN PEACE CORPS		OHO e.V.		LICENCE	SCALE	SHEET		
				CC-BY-SA 4.0	1:1	8 /12		

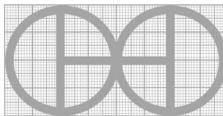


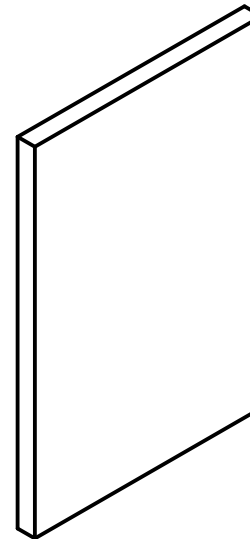
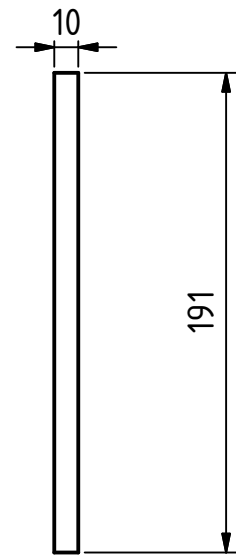
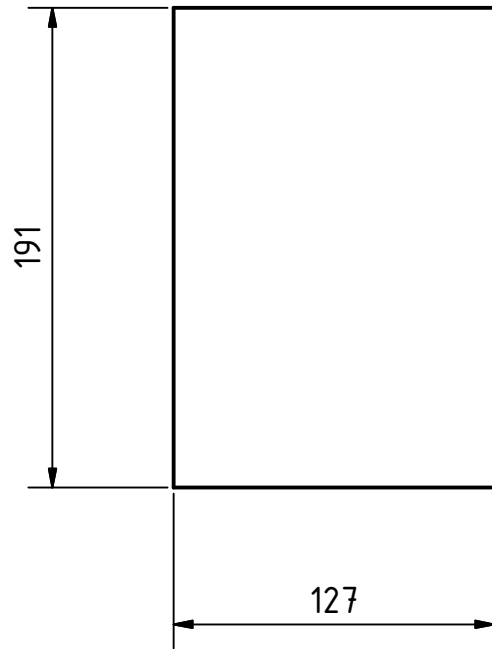
PROJECT		CREATED BY		APPROVED BY		DATE	VERSION	
Bee Smoker		E. CEBALLOS		A. MORILLO		16-05-2021	1.0	
PART NAME		FILE NAME					PART CODE	
Table_1		Table_1.ipt					6	
DEVELOPED BY	REDESIGNED BY	SUPPORTED BY		DOC. TYPE	MATERIAL		QUANTITY	
				PART	MDF / plywood		1	
AMERICAN PEACE CORPS		OHO e.V.		LICENCE		SCALE	SHEET	
				CC-BY-SA 4.0		1:3	9 / 12	



PROJECT		CREATED BY		APPROVED BY		DATE		VERSION	
Bee Smoker		E. CEBALLOS		A. MORILLO		16-05-2021		1.0	
PART NAME		FILE NAME						PART CODE	
Table_1		Table_1.ipt						6	
DEVELOPED BY		REDESIGNED BY		SUPPORTED BY		DOC. TYPE	MATERIAL		QUANTITY
						PART	MDF / plywood		1
AMERICAN PEACE CORPS		OHO e.V.				LICENCE		SCALE	SHEET
						CC-BY-SA 4.0		1:3	10 / 12



PROJECT		CREATED BY		APPROVED BY		DATE	VERSION	
Bee Smoker		E. CEBALLOS		A. MORILLO		16-05-2021	1.0	
PART NAME		FILE NAME					PART CODE	
Metal frame		Metal frame.ipt					7	
DEVELOPED BY	REDESIGNED BY	SUPPORTED BY		DOC. TYPE	MATERIAL		QUANTITY	
				PART	Steel C45		2	
AMERICAN PEACE CORPS		OHO e.V.		LICENCE	SCALE	SHEET		
				CC-BY-SA 4.0	1:3	11 /12		



PROJECT		CREATED BY		APPROVED BY		DATE	VERSION	
Bee Smoker		E. CEBALLOS		A. MORILLO		16-05-2021	1.0	
PART NAME		FILE NAME					PART CODE	
Vinyl		Vinyl.ipt					8	
DEVELOPED BY	REDESIGNED BY	SUPPORTED BY		DOC. TYPE	MATERIAL		QUANTITY	
				PART	Vinyl		1	
AMERICAN PEACE CORPS		OHO e.V.		LICENCE		SCALE	SHEET	
				CC-BY-SA 4.0		1:2	12 / 12	