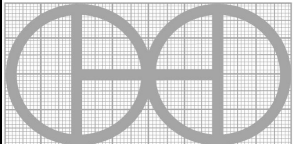
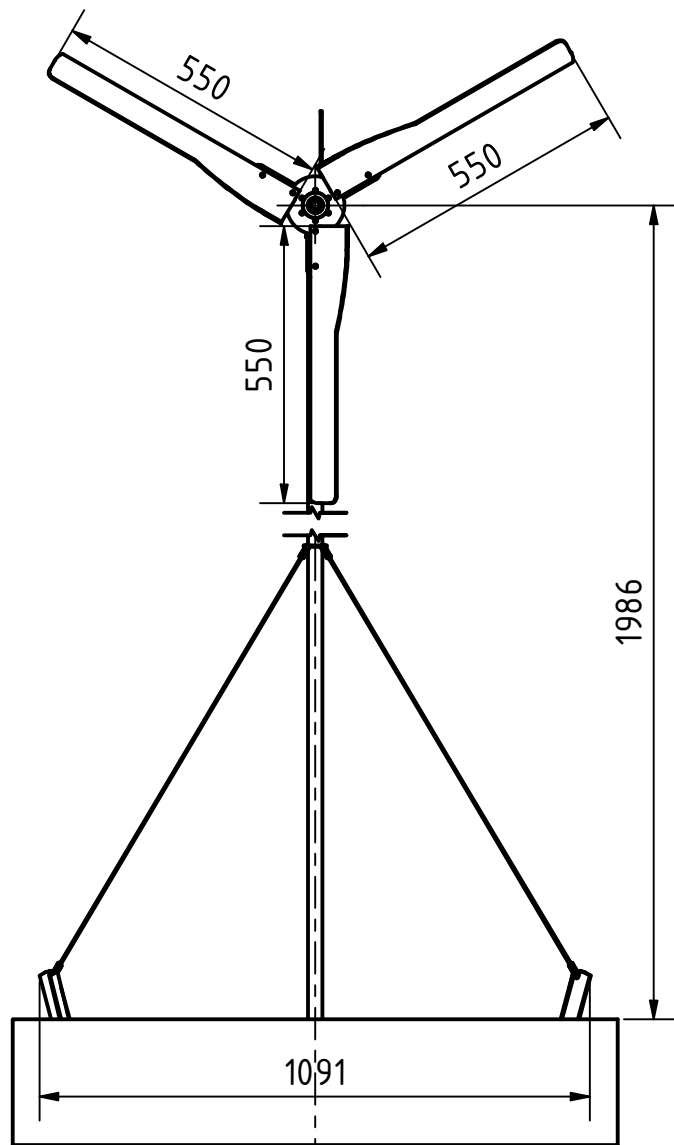
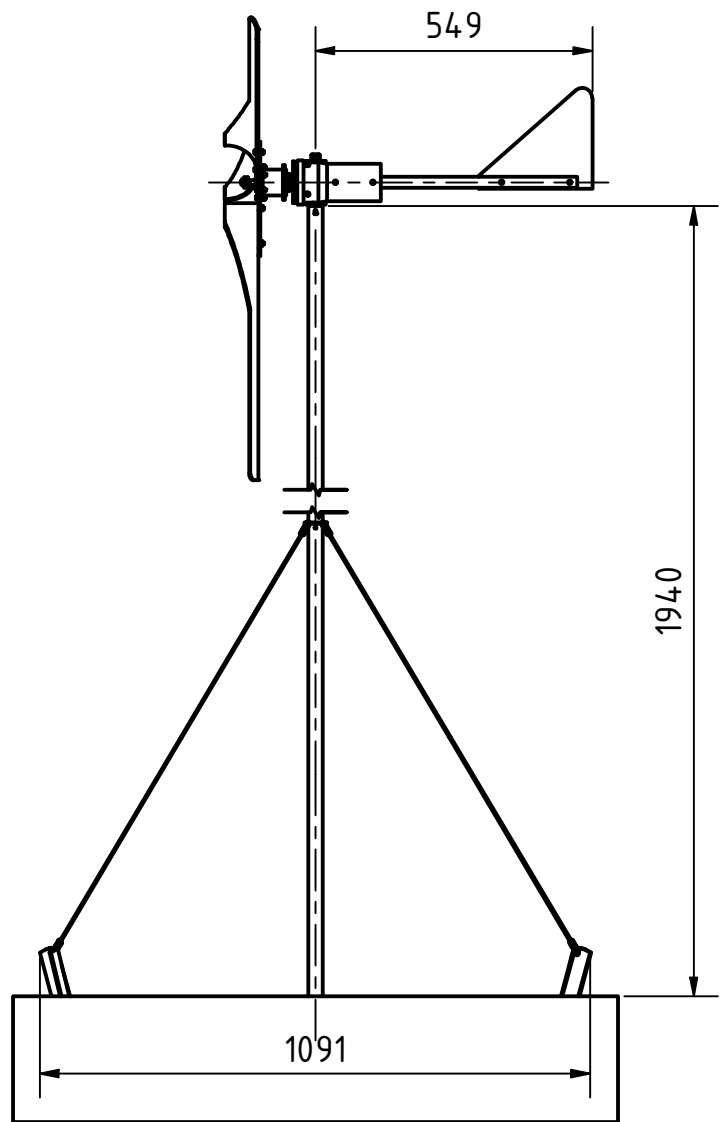
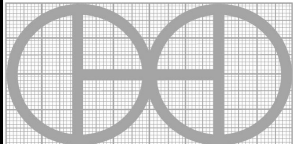
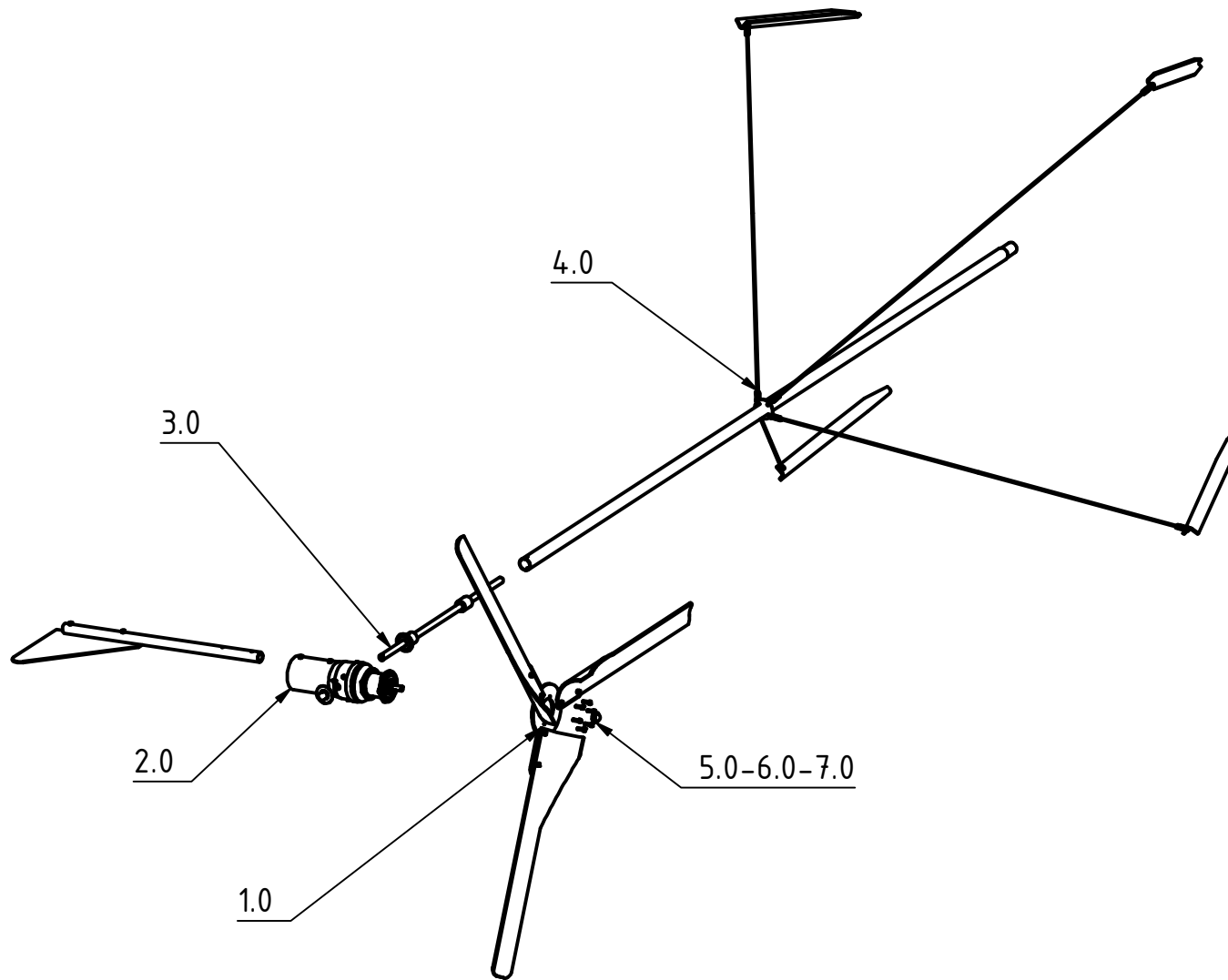
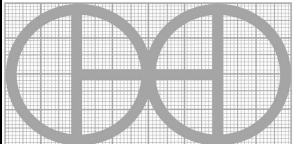


PROJECT	CREATED BY	APPROVED BY	DATE	VERSION
Horizontal shaft turbine	D. MOSQUERA	A. MORILLO	15/11/2021	1.0
PART NAME	FILE NAME			POS
3D views	ygh_hts_A1-wind-turbine.iam			A1
DEVELOPED BY	REDESIGNED BY	DOC. TYPE	MATERIAL	QUANTITY
Original developer		Assembly		1
		LICENCE	SCALE	SHEET
		CC-BY-SA 4.0	1:4	1 /28



PROJECT	CREATED BY	APPROVED BY	DATE	VERSION
Horizontal shaft turbine	D. MOSQUERA	A. MORILLO	15/11/2021	1.0
PART NAME	FILE NAME	POS		
3D views	ygh_hts_A1-wind-turbine.iam	A1		
DEVELOPED BY	REDESIGNED BY	DOC. TYPE	MATERIAL	QUANTITY
Original developer		Assembly		1
		LICENCE	SCALE	SHEET
		CC-BY-SA 4.0		2 /28

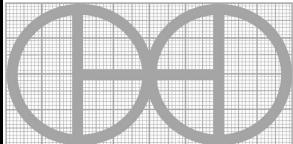


PROJECT	CREATED BY	APPROVED BY	DATE	VERSION
Horizontal shaft turbine	D. MOSQUERA	A. MORILLO	15/11/2021	1.0
PART NAME	FILE NAME			POS
Exploded 3D view				A2
DEVELOPED BY	REDESIGNED BY	DOC. TYPE	MATERIAL	QUANTITY
Original developer		Assembly		1
		LICENCE	SCALE	SHEET
		CC-BY-SA 4.0		3 /28

OHO e.V.

PARTS LIST

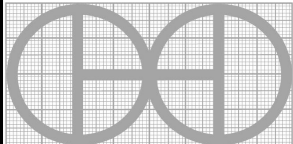
POS	QTY	PART NAME	FILE NAME	PART TYPE	SPECIFICATIONS	SHEET
A1	1	3D views	ygh_hts_A1-wind-turbine.iam			1
A1	1	3D views	ygh_hts_A1-wind-turbine.iam			2
A2	1	Exploded 3D view				3
B1		Parts list				4
B2		Parts list	ygh_hts_A1-wind-turbine.xls			5
C1		Technical notes				6
1.0	1	Propelle	ygh_hts_propeller			7
1.0	1	Propeller	ygh_hts_propeller.ipn	Production		8
1.2	3	Turbine blade	ygh_hts_turbine-blade.ipt	Production	pipe D:110 clipped, PVC	9
1.3	1	Turbine sheet	ygh_hts_turbine-sheet.ipt	Production	thickness: 3,0 mm, Galvanized Steel	10
1.4	12	Bolt allen propeller	ygh_hts_bolt-allen-M4x10.ipt	Standard	Bolt allen propeller, DIN-912	
1.5	12	Nut propeller	ygh_hts_nutM4.ipt	Standard	Nut propeller, DIN-934	
2.0	1	Body	ygh_hts_Body.iam			11
2.0	1	Body Dynamo	ygh_hts_Body.ipn			12
2.1	1	Pipe body	ygh_hts_pipe-body.ipt	Production	pipe D:76, PVC	13
2.2	1	Pipe plug body	ygh_hts_pipe-plug.ipt	Production	PVC	14
2.3	1	Dynamo	oho_wt_dynamo.ipt	Buy	Dynamo, Hub Dynamo DH-3N30-A 6V-3W	
2.4	1	Flap piping	ygh_hts_flap-piping.ipt	Production	PVC	15
2.5	1	Weathervane	ygh_hts_weathervane.ipt	Production	Galvanized Steel	16
2.6	4	Bolt allen body	ygh_hts_bolt-allen-M4x30.ipt	Standard	Bolt allen body, DIN-912	
2.7	4	Wood screw	ygh_hts_wood-screw-M4x10.ipt	Standard	Wood screw, DIN-7985	
2.8	1	Nut Dynamo	ygh_hts_nutM10	Standard	Nut Dynamo, DIN-934	
2.9	1	Tope nut dynamo	ygh_hts_tope-nutM10	Standard	Tope nut dynamo, DIN-934	
2.10	4	Nut body	ygh_hts_tope-nutM10.ipt	Standard	Nut body, DIN-934	
3.0	1	Support axel	ygh_hts_Support-axel.iam			17
3.0	1	Support axel	ygh_hts_Support-axel.iam			18
3.1	1	Tub axel vertical	ygh_hts_tube-axel-vertical.ipt	Production	Bronce	19
3.2	1	Rubber guide	ygh_hts_rubber-guide.ipt	Production	Rubber	20
3.3	1	Rubber buffer	ygh_hts_rubber-buffer.ipt	Production	Rubber	21
3.5	2	Washers	ygh_hts_washers.ipt	Standard	Washers, M20 DIN-9021, Galvanized Steel	
3.6	2	Washers rubber	ygh_hts_washers-rubber	Production	Rubber	22

PROJECT		CREATED BY	APPROVED BY	DATE	VERSION
Horizontal shaft turbine		D. MOSQUERA	A. MORILLO	15/11/2021	1.0
PART NAME		FILE NAME			POS
Parts list					B1
DEVELOPED BY		REDESIGNED BY	DOC. TYPE	MATERIAL	QUANTITY
Original developer			Parts list		
		LICENCE	SCALE	SHEET	
		CC-BY-SA 4.0		4 / 28	

OHO e.V.

PARTS LIST

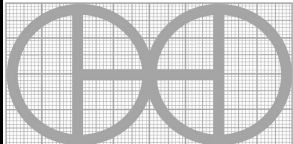
POS	QTY	PART NAME	FILE NAME	PART TYPE	SPECIFICATIONS	SHEET
3.6	2	Washers rubber	ygh_hts_washers-rubber	Production	Rubber	22
3.6	1	Pipe plug superior	ygh_hts_pipe-plug-superior.ipt	Production	PVC	23
3.6	2	Pin	ygh_hts_pin.ipt	Standard	Pin, Galvanized Steel	
4.0	1	Main support	ygh_hts_main-support.iam			24
4.0	1	Main support	ygh_hts_main-support.ipn			25
4.1	2	Main support tube	ygh_hts_main-support-tube.ipt	Production	Schd 40, Galvanized Steel	26
4.2	1	Ring tensor	ygh_hts_ring-tensor.ipt	Production	Galvanized Steel	27
4.3	4	Soft wire	ygh_hts_cordel.ipt	Standard	Soft wire, #12 twisted ends, Steel	
4.4	4	Angle	ygh_hts_angle.ipt	Production	L 25x25x4, Galvanized Steel	28

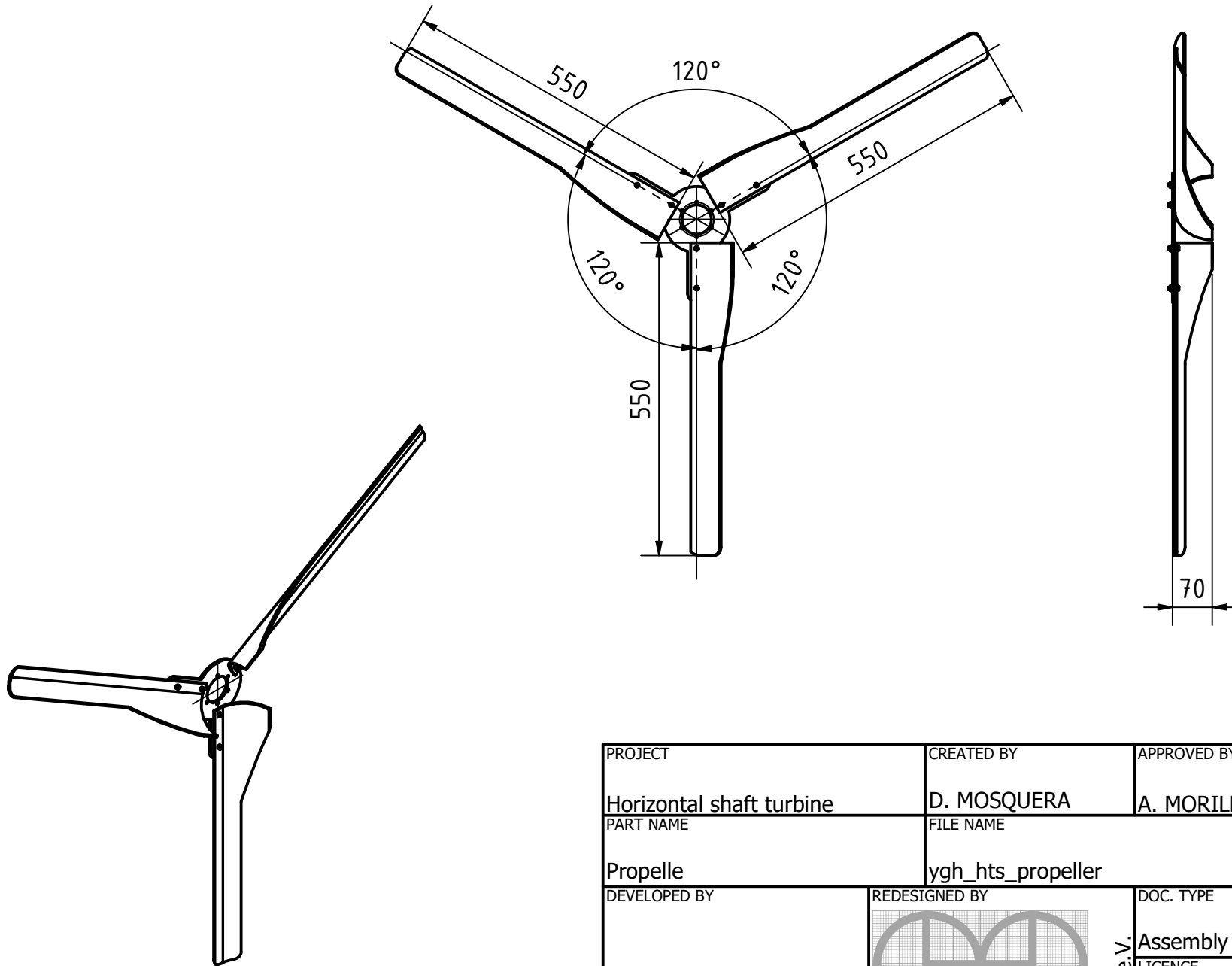
PROJECT		CREATED BY	APPROVED BY	DATE	VERSION
Horizontal shaft turbine		D. MOSQUERA	A. MORILLO	15/11/2021	1.0
PART NAME		FILE NAME			POS
Parts list		ygh_hts_A1-wind-turbine.xls			B2
DEVELOPED BY		REDESIGNED BY	DOC. TYPE	MATERIAL	QUANTITY
Original developer			Parts list		
		LICENCE		SCALE	SHEET
		CC-BY-SA 4.0			5 /28

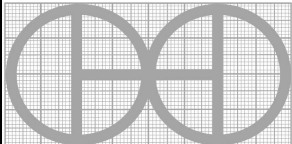
OHO e.V.

TECHNICAL NOTES

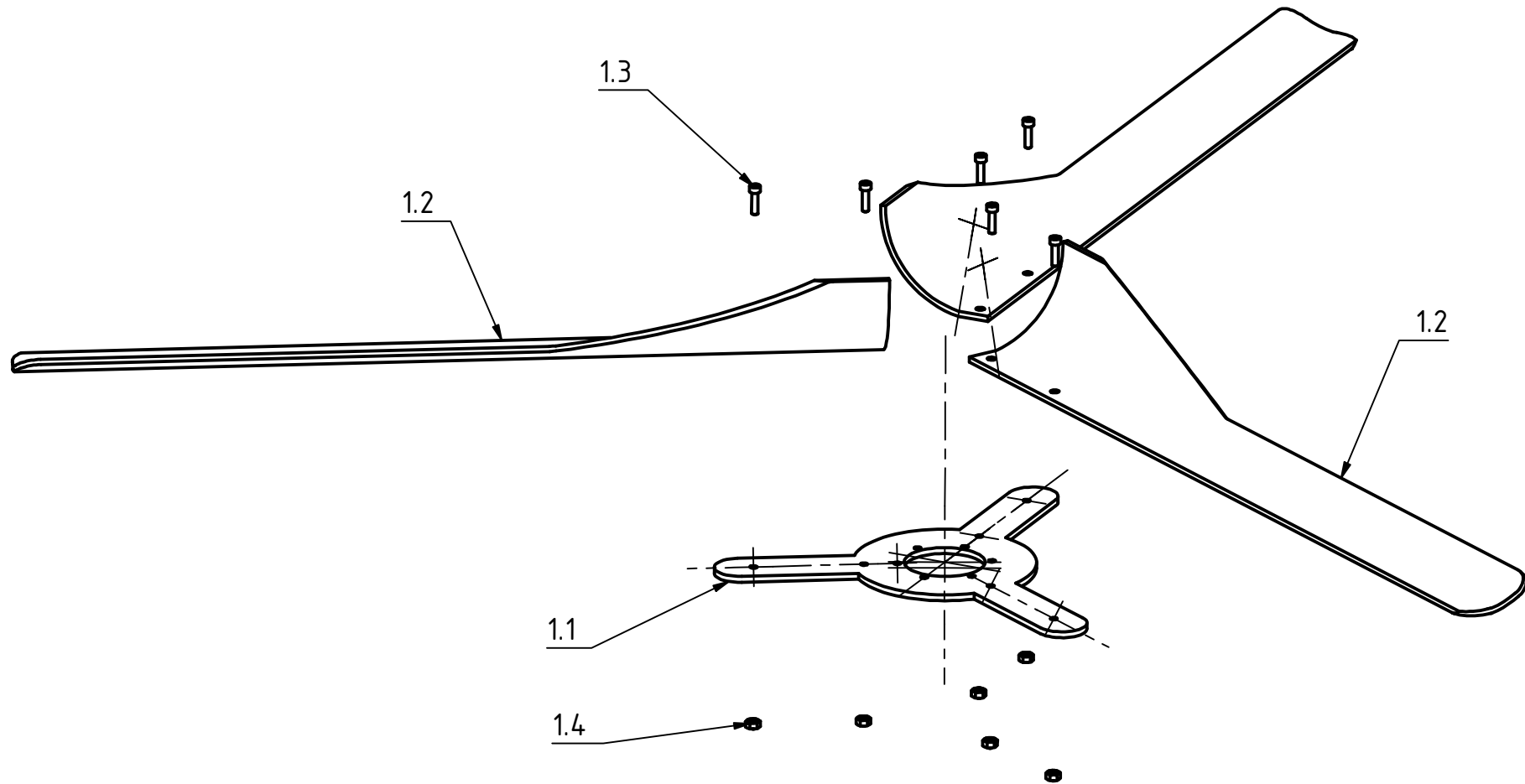
NOTES	CONTENT
GENERAL NOTES	
Metal structure treatment	Iron structures should be painted to prevent rust and improve equipment life. - Remove loose rust with a wire brush, sandpaper or chemical rust remover. - If applicable, sand areas where paint is chipping until surface is smooth. - Remove dust or oil with a degreaser or denatured alcohol. - Prime surface to protect against rust and corrosion
Wood treatment	- The wood must be treated with pesticides and kiln-dried to ensure adequate humidity. - Wood sealer should be applied for later use.
...	...
...	...

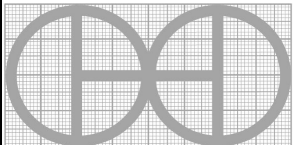
PROJECT	CREATED BY	APPROVED BY	DATE	VERSION
Horizontal shaft turbine	D. MOSQUERA	A. MORILLO	15/11/2021	1.0
PART NAME	FILE NAME			POS
Technical notes				C1
DEVELOPED BY	REDESIGNED BY	DOC. TYPE	MATERIAL	QUANTITY
Original developer		Technical notes		
		LICENCE	SCALE	SHEET
		CC-BY-SA 4.0		6 /28



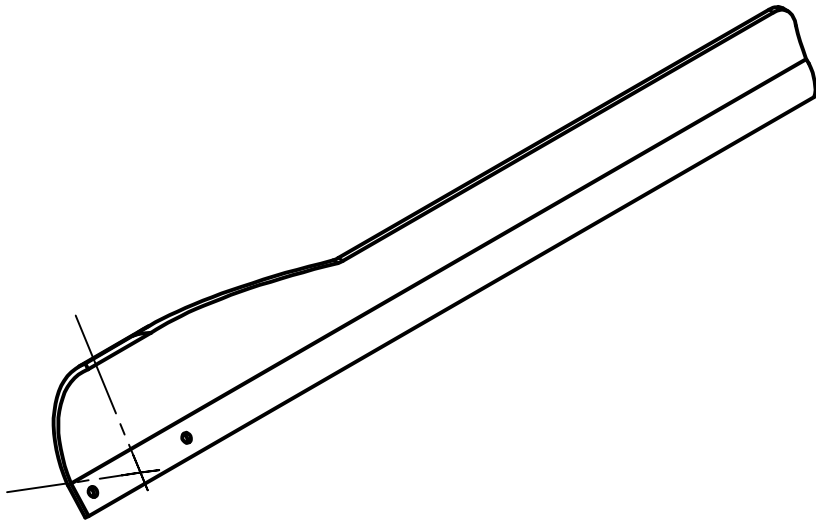
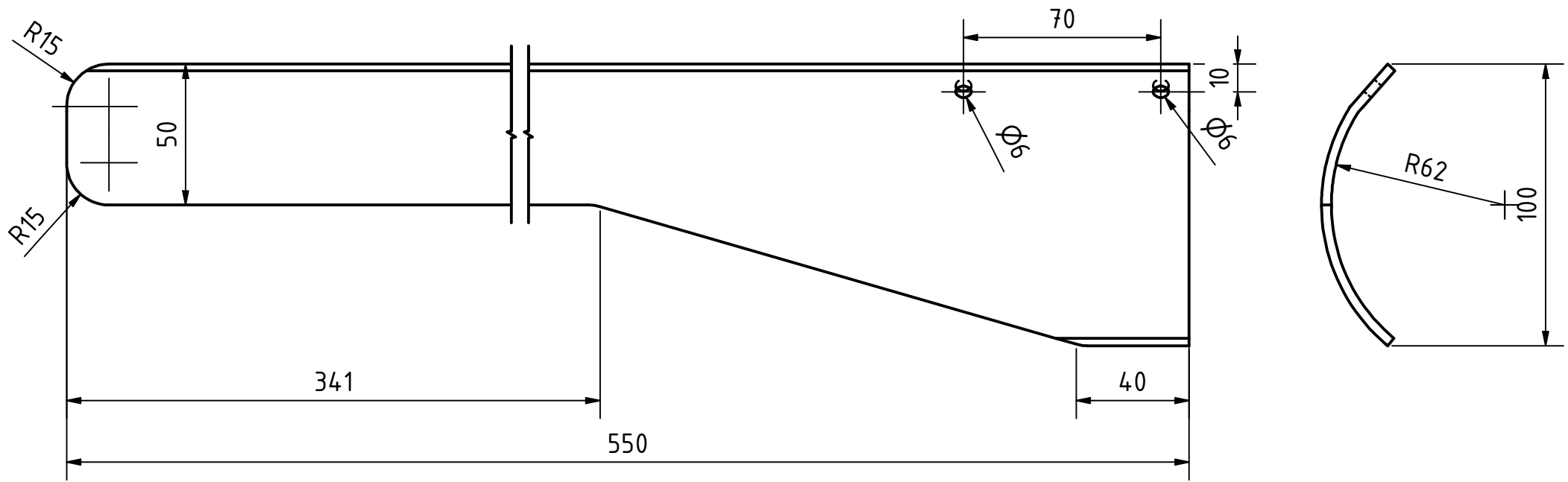
PROJECT	CREATED BY	APPROVED BY	DATE	VERSION
Horizontal shaft turbine	D. MOSQUERA	A. MORILLO	15/11/2021	1.0
PART NAME	FILE NAME			POS
Propelle	ygh_hts_propeller			1.0
DEVELOPED BY	REDESIGNED BY	DOC. TYPE	MATERIAL	QUANTITY
		Assembly		1
Original developer		LICENCE	SCALE	SHEET
		CC-BY-SA 4.0	1:15	7 /28

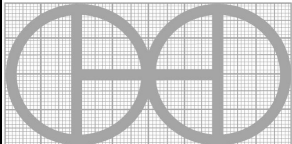
OHO e.V.

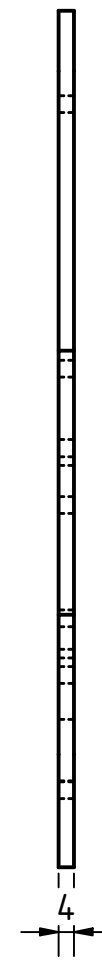
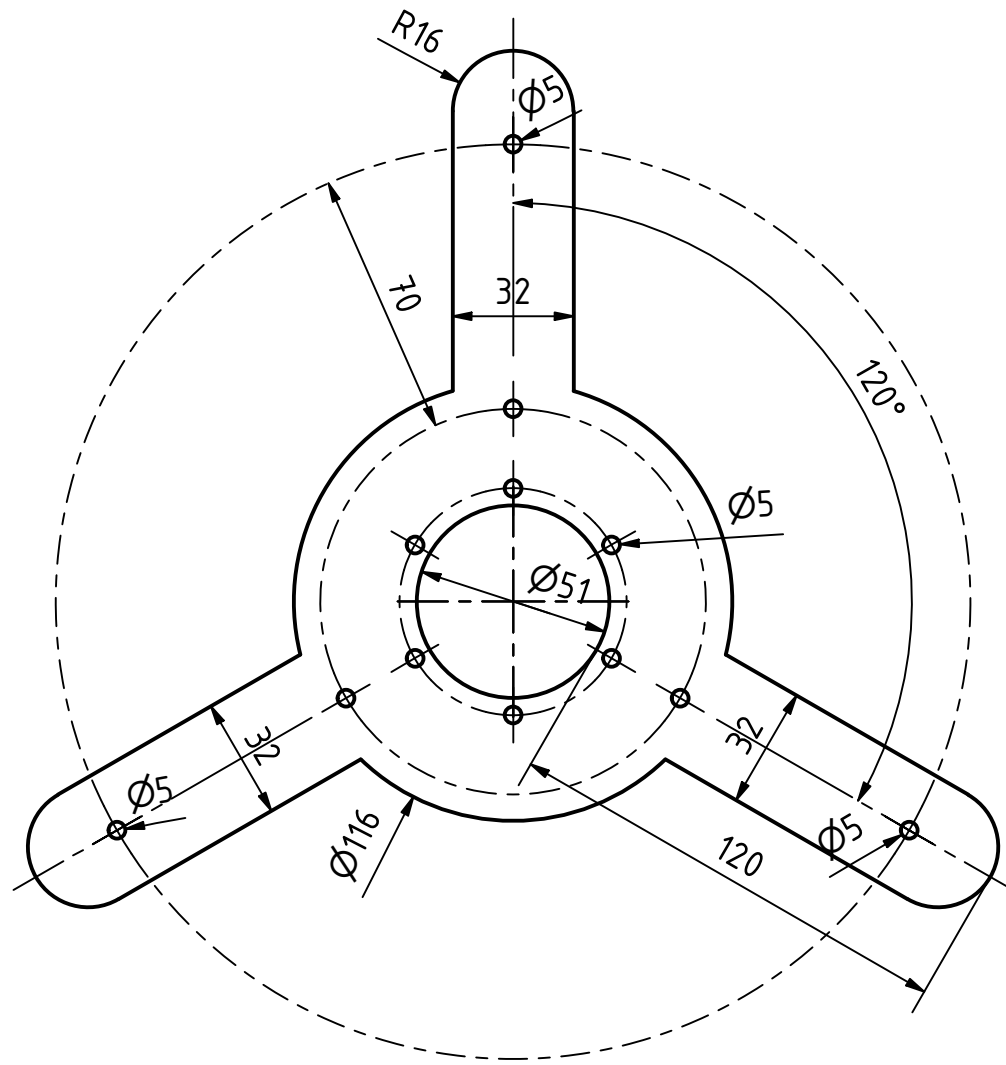
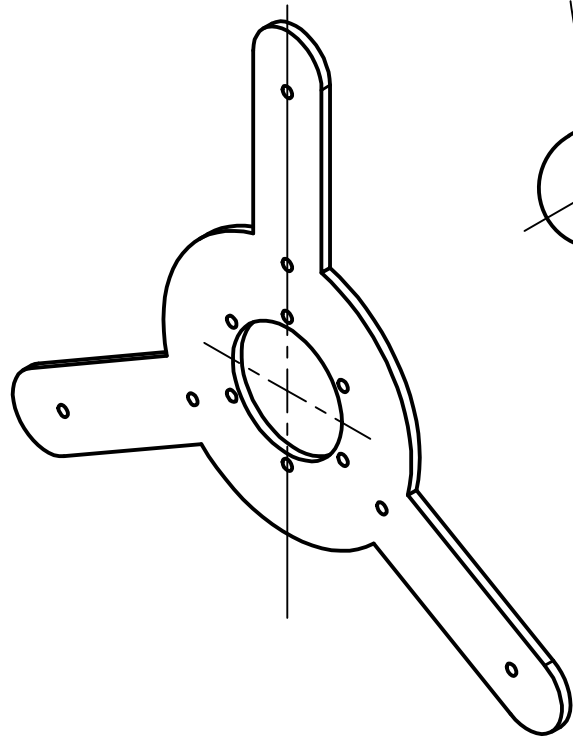


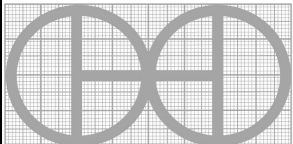
PROJECT	CREATED BY	APPROVED BY	DATE	VERSION
Horizontal shaft turbine	D. MOSQUERA	A. MORILLO	15/11/2021	1.0
PART NAME	FILE NAME			POS
Propeller	ygh_hts_propeller.ipn			1.0
DEVELOPED BY	REDESIGNED BY	DOC. TYPE	MATERIAL	QUANTITY
Original developer		Assembly		1
		LICENCE	SCALE	SHEET
		CC-BY-SA 4.0	1:4	8 /28

OHO e.V.

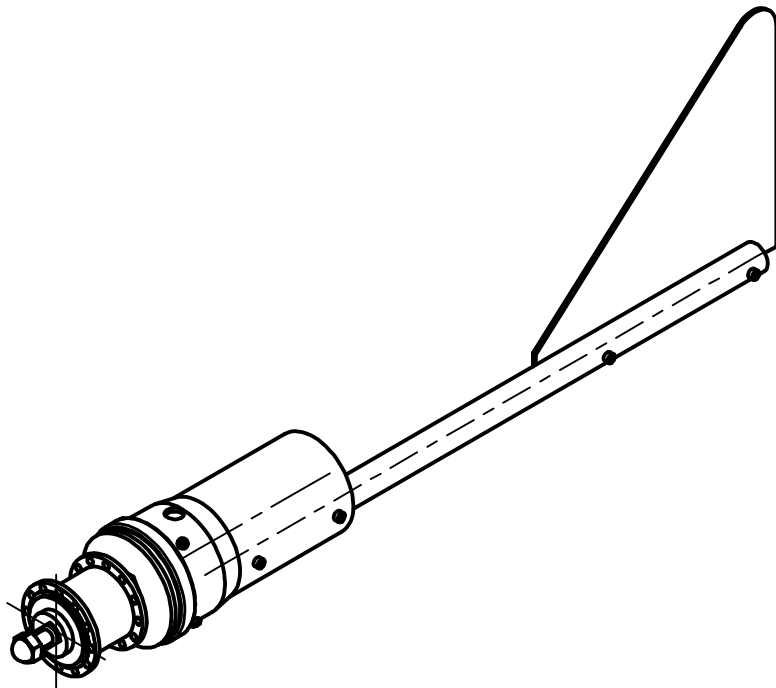
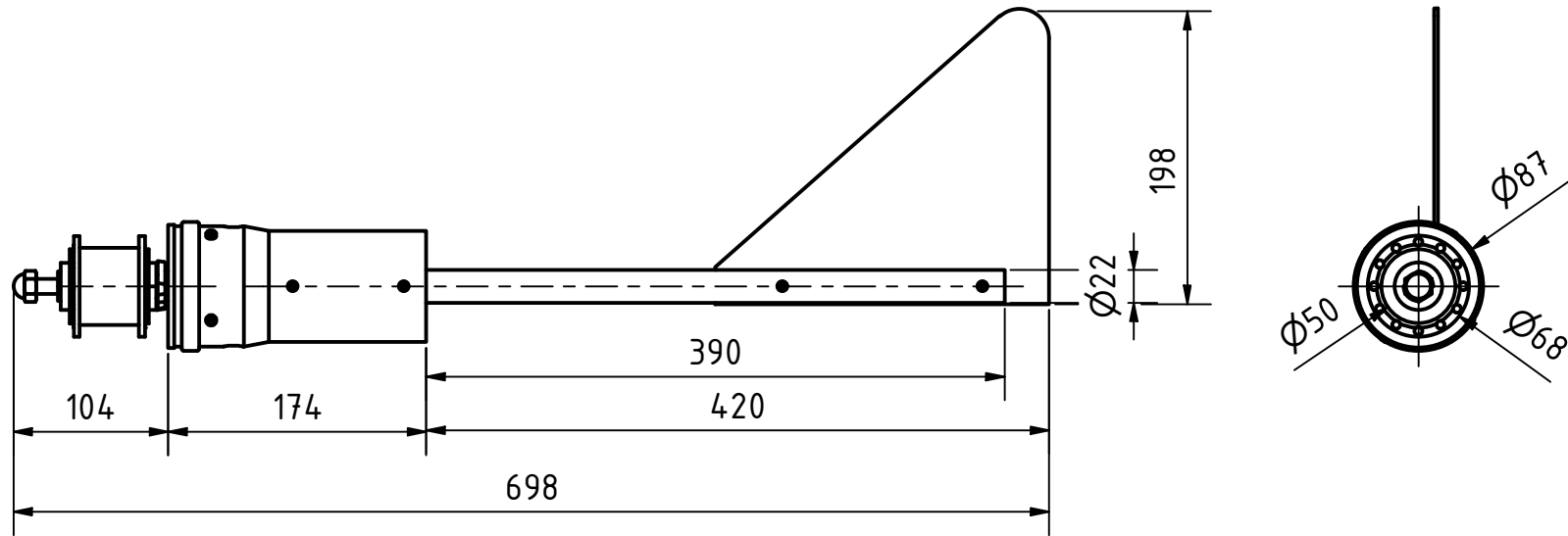


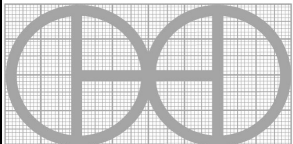
PROJECT	CREATED BY	APPROVED BY	DATE	VERSION
Horizontal shaft turbine	D. MOSQUERA	A. MORILLO	15/11/2021	1.0
PART NAME	FILE NAME			POS
Turbine blade	ygh_hts_turbine-blade.ipt			1.2
DEVELOPED BY	REDESIGNED BY	DOC. TYPE	MATERIAL	QUANTITY
Original developer		Part	PVC	3
		LICENCE	SCALE	SHEET
		CC-BY-SA 4.0	1:4	9 /28



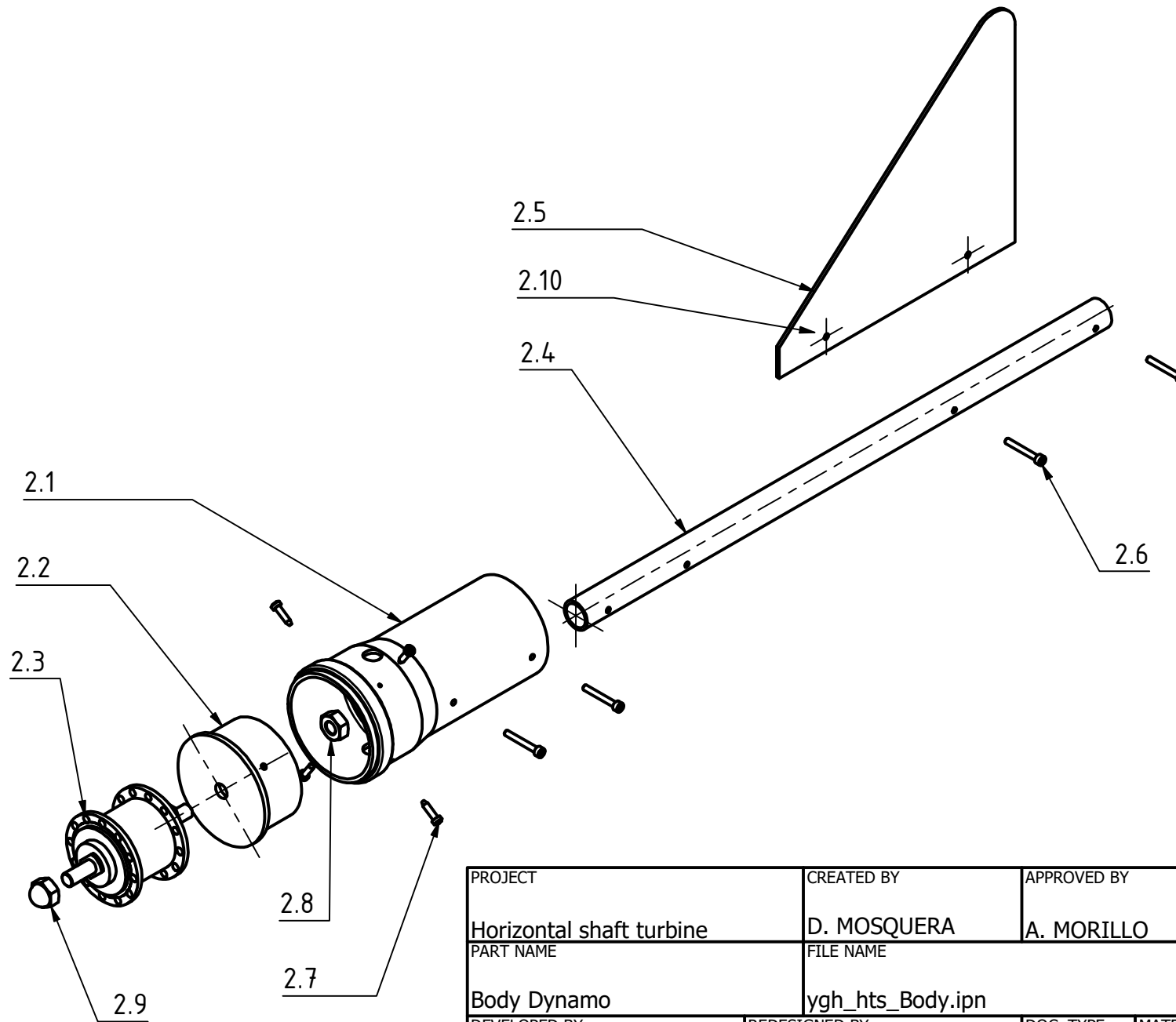
PROJECT	CREATED BY	APPROVED BY	DATE	VERSION
Horizontal shaft turbine	D. MOSQUERA	A. MORILLO	15/11/2021	1.0
PART NAME	FILE NAME			POS
Turbine sheet	ygh_hts_turbine-sheet.ipt			1.3
DEVELOPED BY	REDESIGNED BY	DOC. TYPE	MATERIAL	QUANTITY
Original developer		Part	Galvanized Steel	1
		LICENCE	SCALE	SHEET
		CC-BY-SA 4.0	1:4	10 /28

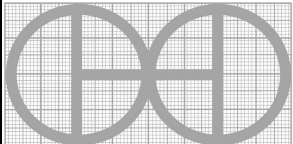
OHO e.V.

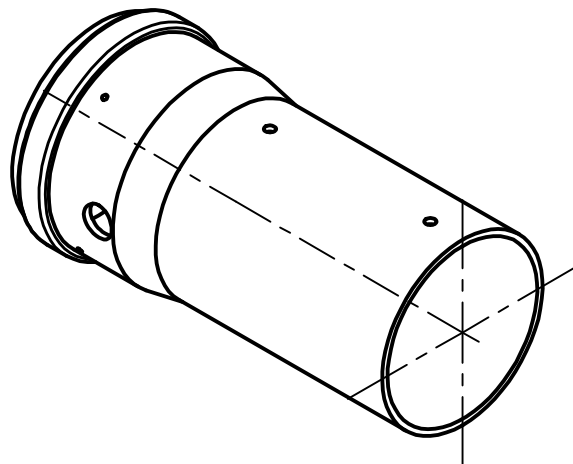
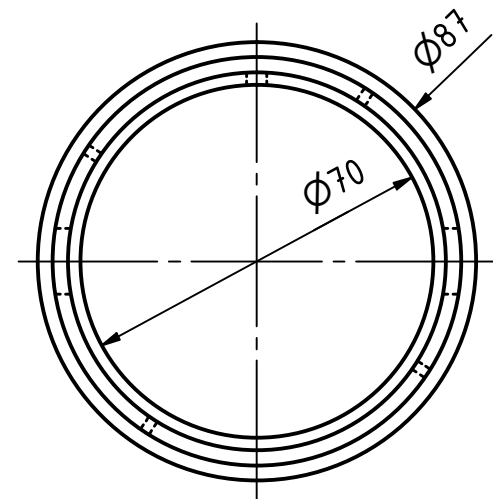
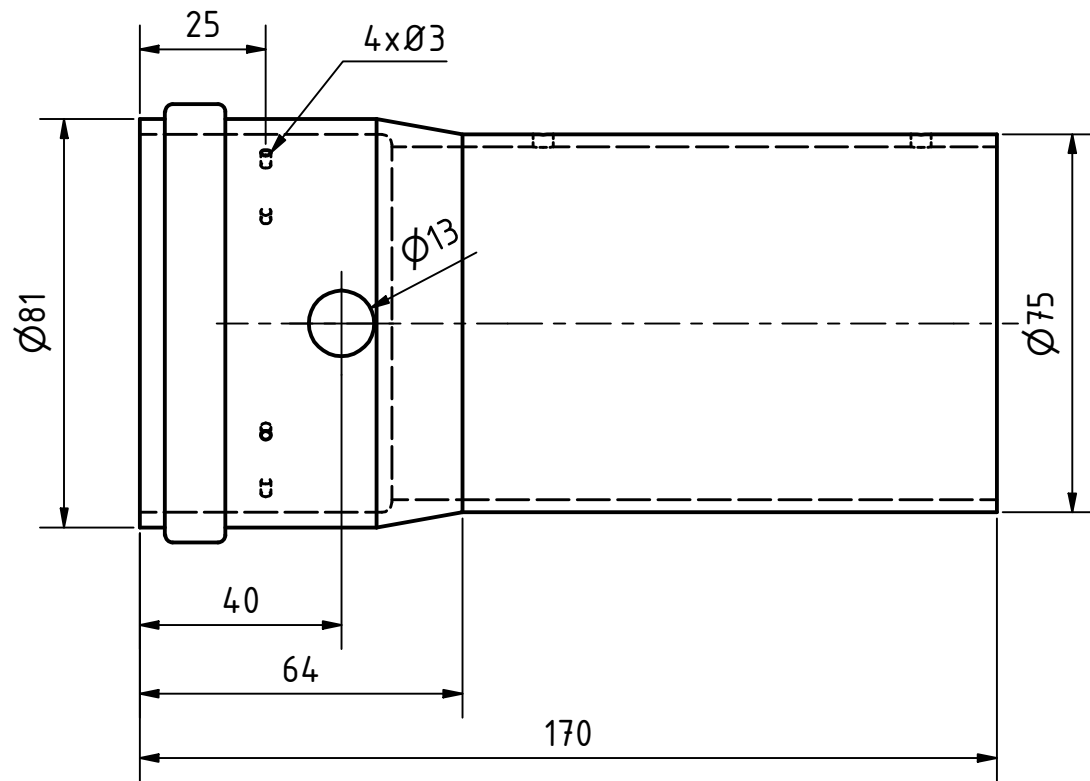


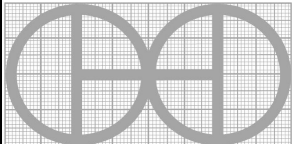
PROJECT	CREATED BY	APPROVED BY	DATE	VERSION
Horizontal shaft turbine	D. MOSQUERA	A. MORILLO	15/11/2021	1.0
PART NAME	FILE NAME			POS
Body	ygh_hts_Body.iam			2.0
DEVELOPED BY	REDESIGNED BY	DOC. TYPE	MATERIAL	QUANTITY
		Assembly		1
Original developer		LICENCE	SCALE	SHEET
		CC-BY-SA 4.0	1:10	11 /28

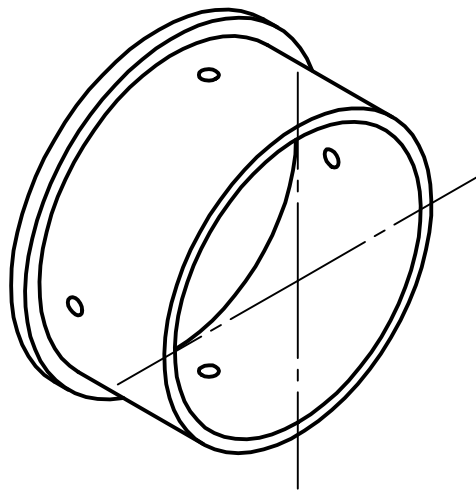
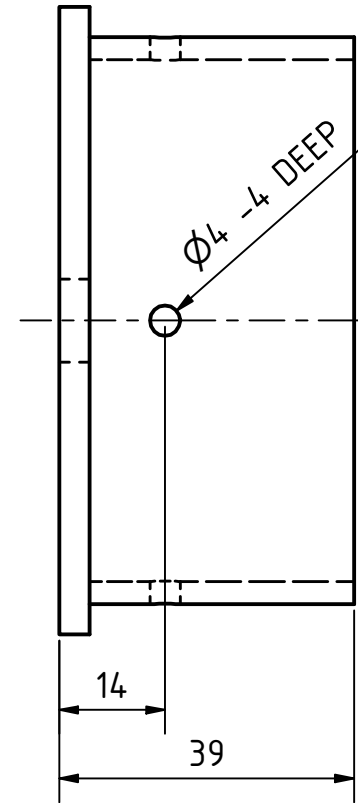
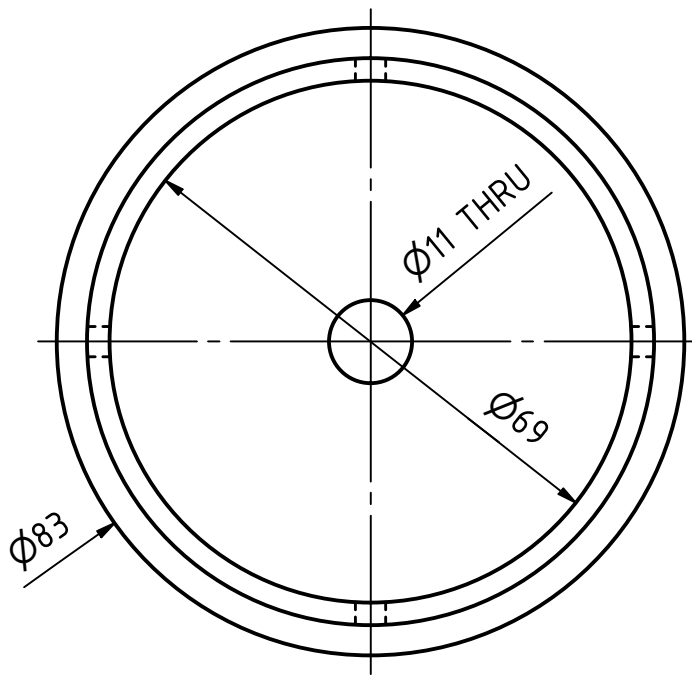
OHO e.V.

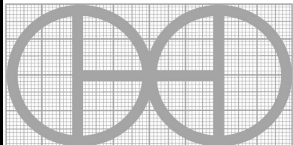


PROJECT	CREATED BY	APPROVED BY	DATE	VERSION
Horizontal shaft turbine	D. MOSQUERA	A. MORILLO	15/11/2021	1.0
PART NAME	FILE NAME			POS
Body Dynamo	ygh_hts_Body.ipn			2.0
DEVELOPED BY	REDESIGNED BY	DOC. TYPE	MATERIAL	QUANTITY
Original developer		OHO e.V. Assamble		1
		LICENCE	SCALE	SHEET
		CC-BY-SA 4.0	1:4	12 /28

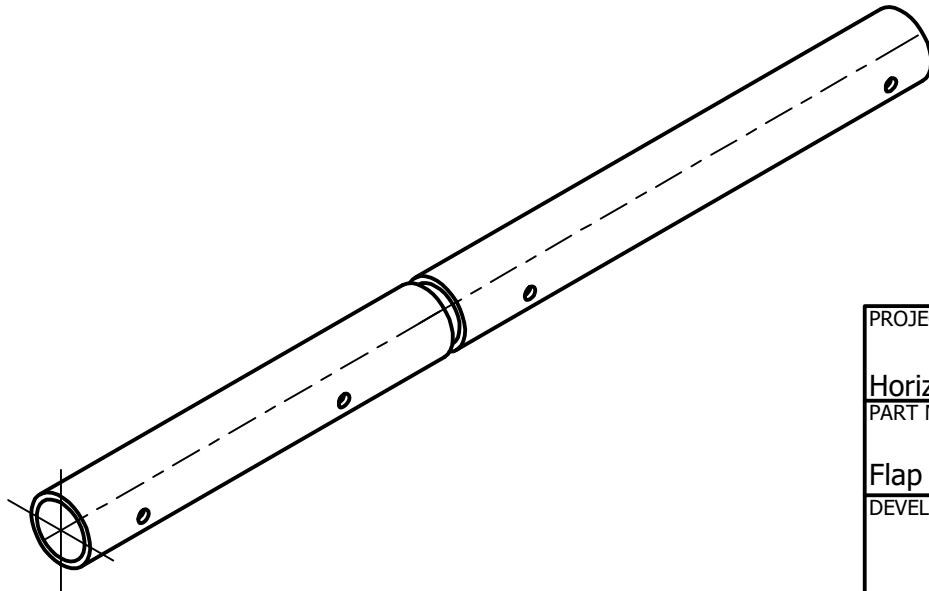
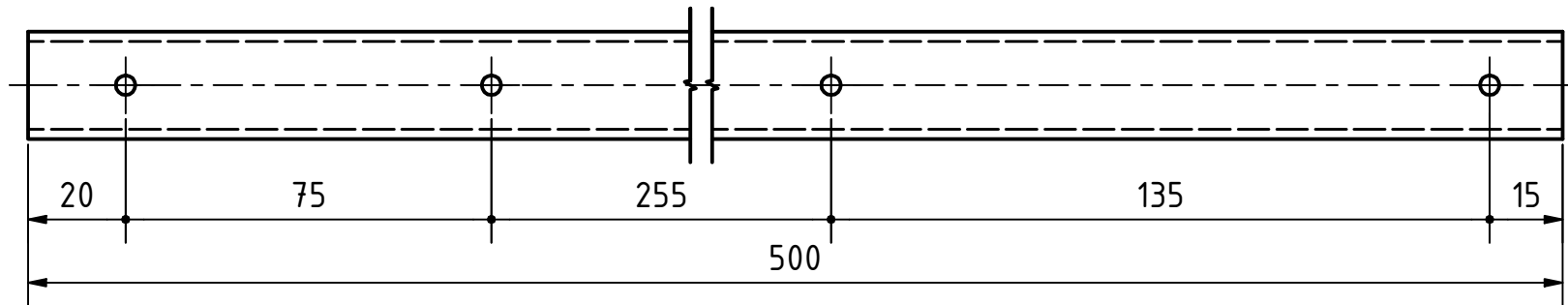


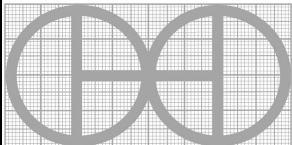
PROJECT	CREATED BY	APPROVED BY	DATE	VERSION
Horizontal shaft turbine	D. MOSQUERA	A. MORILLO	15/11/2021	1.0
PART NAME	FILE NAME			POS
Pipe body	ygh_hts_pipe-body.ipt			2.1
DEVELOPED BY	REDESIGNED BY	DOC. TYPE	MATERIAL	QUANTITY
		Part	PVC	1
Original developer		LICENCE	SCALE	SHEET
		CC-BY-SA 4.0	1:1,5	13 /28



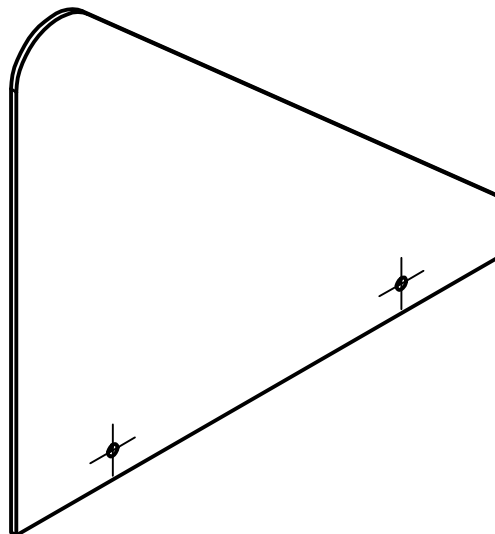
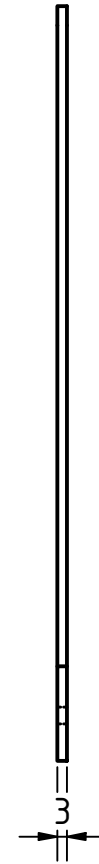
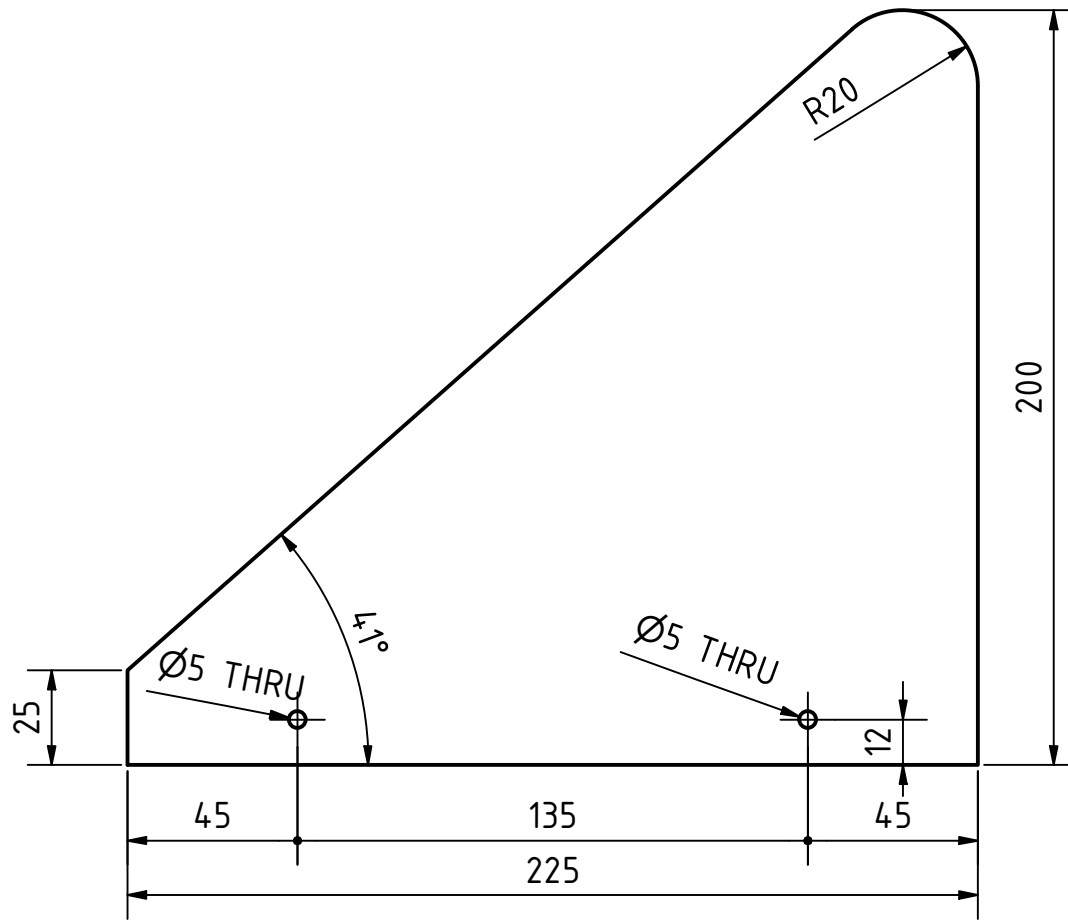
PROJECT	CREATED BY	APPROVED BY	DATE	VERSION
Horizontal shaft turbine	D. MOSQUERA	A. MORILLO	15/11/2021	1.0
PART NAME	FILE NAME			POS
Pipe plug body	ygh_hts_pipe-plug.ipt			2.2
DEVELOPED BY	REDESIGNED BY	DOC. TYPE	MATERIAL	QUANTITY
		Part	PVC	1
Original developer		LICENCE	SCALE	SHEET
		CC-BY-SA 4.0	1:1,5	14 /28

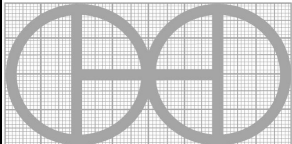
OHO e.V.

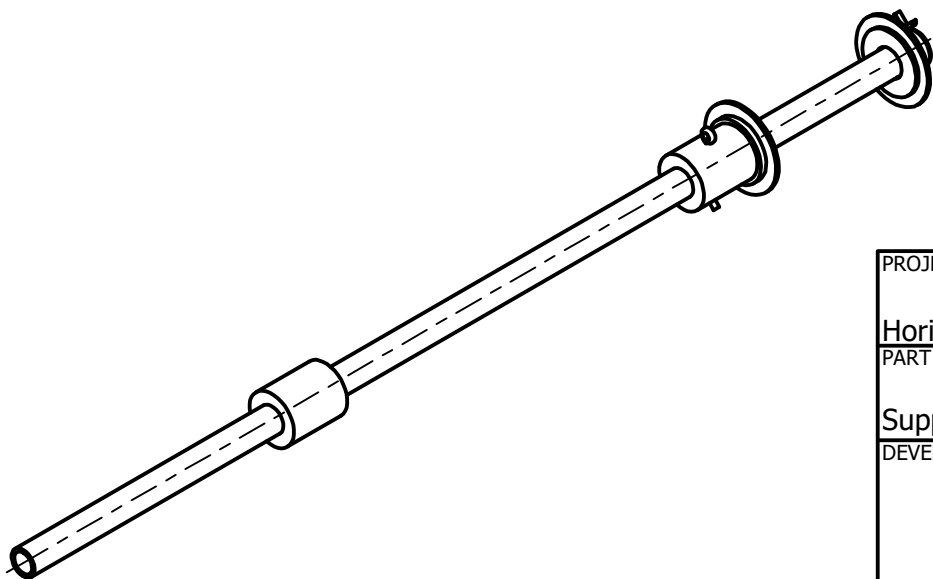
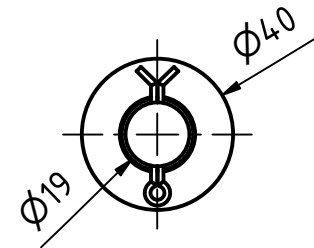
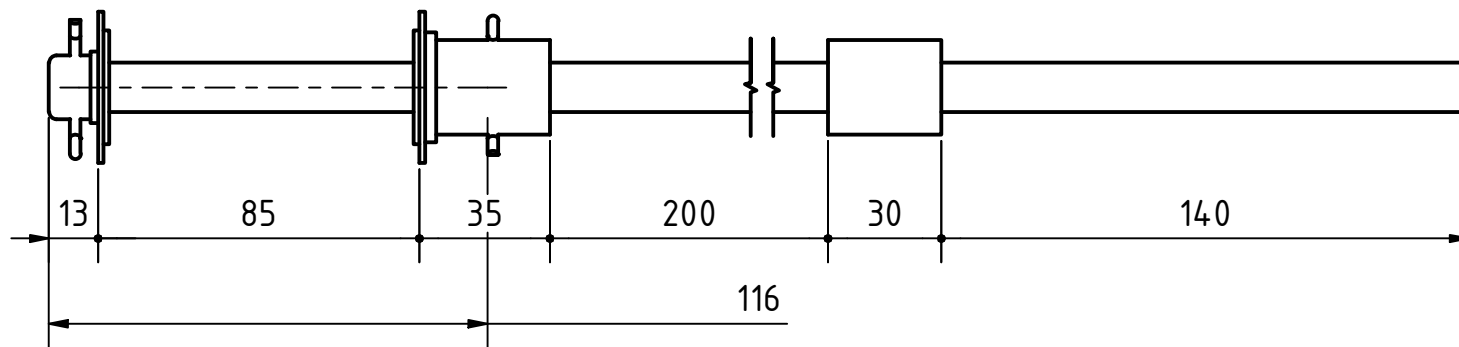


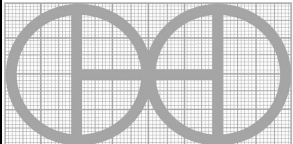
PROJECT	CREATED BY	APPROVED BY	DATE	VERSION
Horizontal shaft turbine	D. MOSQUERA	A. MORILLO	15/11/2021	1.0
PART NAME	FILE NAME			POS
Flap piping	ygh_hts_flap-piping.ipt			2.4
DEVELOPED BY	REDESIGNED BY	DOC. TYPE	MATERIAL	QUANTITY
		Part	PVC	1
Original developer		LICENCE	SCALE	SHEET
		CC-BY-SA 4.0	1:1,5	15 /28

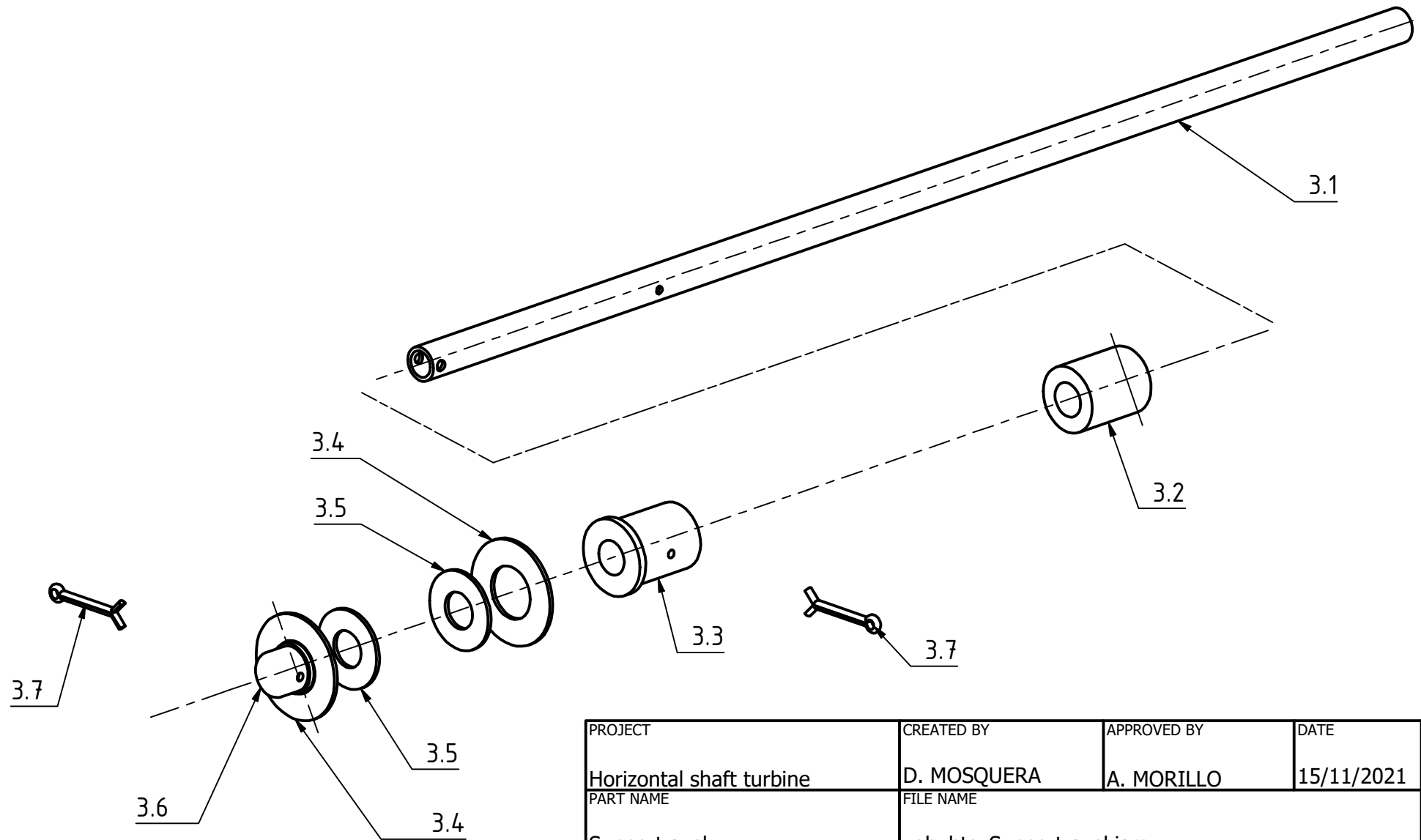
OHO e.V.

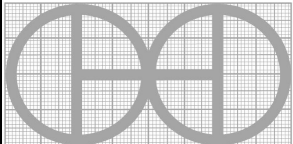


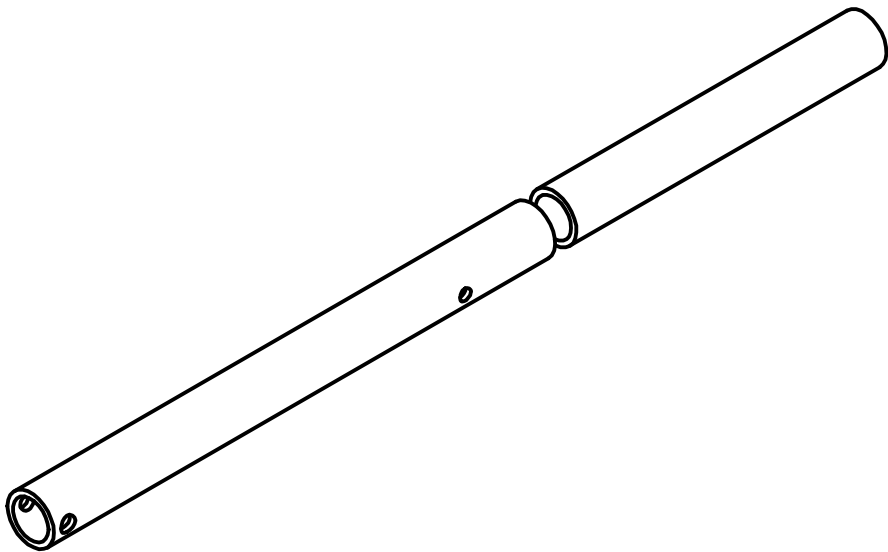
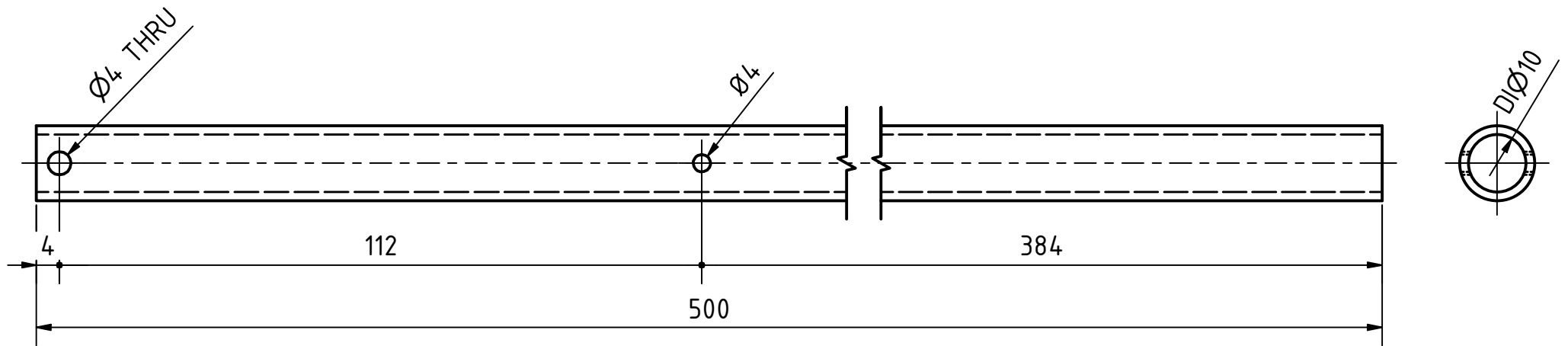
PROJECT	CREATED BY	APPROVED BY	DATE	VERSION
Horizontal shaft turbine	D. MOSQUERA	A. MORILLO	15/11/2021	1.0
PART NAME	FILE NAME			POS
Weathervane	ygh_hts_weathervane.ipt			2.5
DEVELOPED BY	REDESIGNED BY	DOC. TYPE	MATERIAL	QUANTITY
		Part	Galvanized Steel	1
Original developer		LICENCE	SCALE	SHEET
		CC-BY-SA 4.0	1:2	16 /28

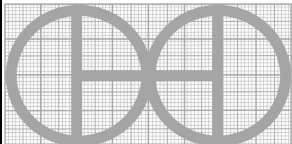


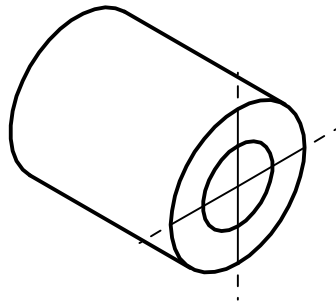
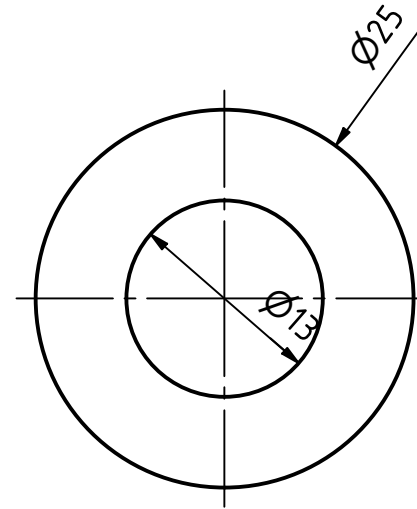
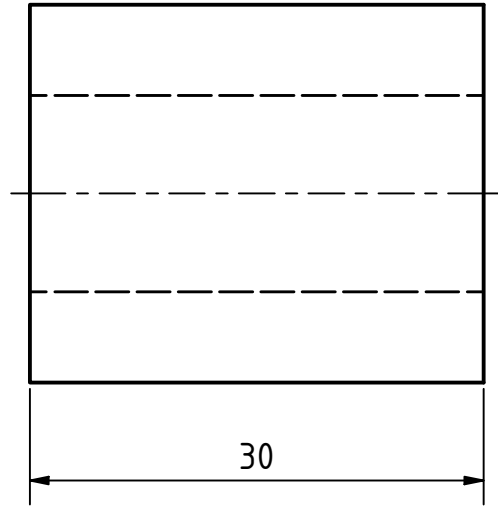
PROJECT	CREATED BY	APPROVED BY	DATE	VERSION
Horizontal shaft turbine	D. MOSQUERA	A. MORILLO	15/11/2021	1.0
PART NAME	FILE NAME			POS
Support axel	ygh_hts_Support-axel.iam			3.0
DEVELOPED BY	REDESIGNED BY	DOC. TYPE	MATERIAL	QUANTITY
Original developer		Assembly		1
		LICENCE	SCALE	SHEET
		CC-BY-SA 4.0	1:4	17 /28

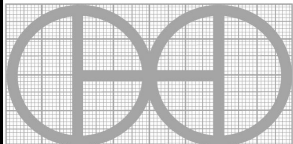


PROJECT	CREATED BY	APPROVED BY	DATE	VERSION
Horizontal shaft turbine	D. MOSQUERA	A. MORILLO	15/11/2021	1.0
PART NAME	FILE NAME			POS
Support axel	ygh_hts_Support-axel.iam			3.0
DEVELOPED BY	REDESIGNED BY	DOC. TYPE	MATERIAL	QUANTITY
Original developer		OH0 e V: Assembly		1
		LICENCE	SCALE	SHEET
		CC-BY-SA 4.0		18 /28

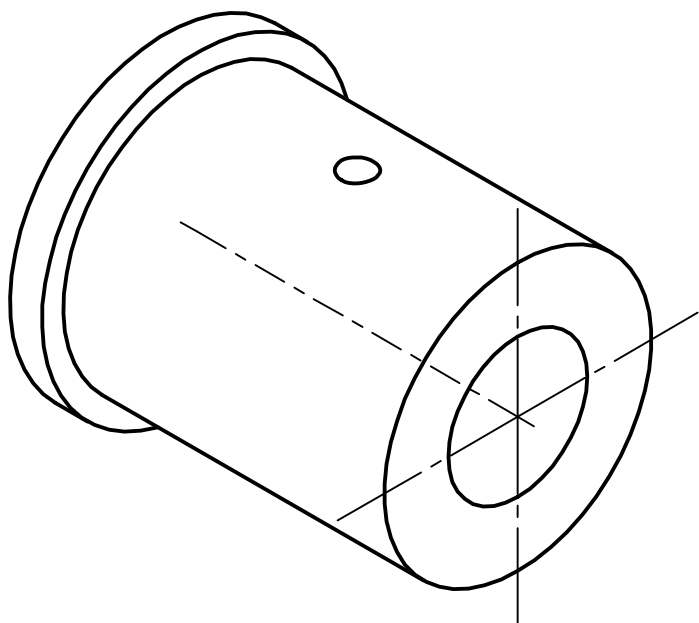
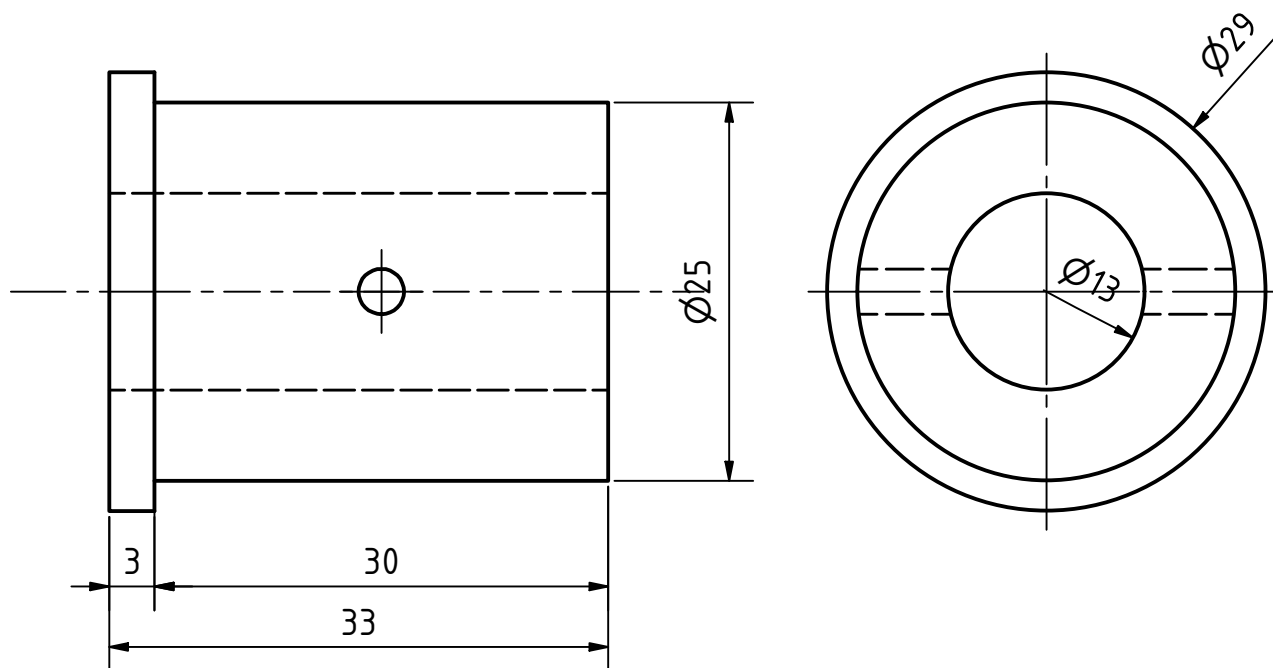


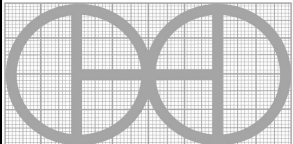
PROJECT	CREATED BY	APPROVED BY	DATE	VERSION
Horizontal shaft turbine	D. MOSQUERA	A. MORILLO	15/11/2021	1.0
PART NAME	FILE NAME			POS
Tub axel vertical	ygh_hts_tube-axel-vertical.ipt			3.1
DEVELOPED BY	REDESIGNED BY	DOC. TYPE	MATERIAL	QUANTITY
Original developer		Part	Bronce	1
		LICENCE	SCALE	SHEET
		CC-BY-SA 4.0	1:1	19 /28



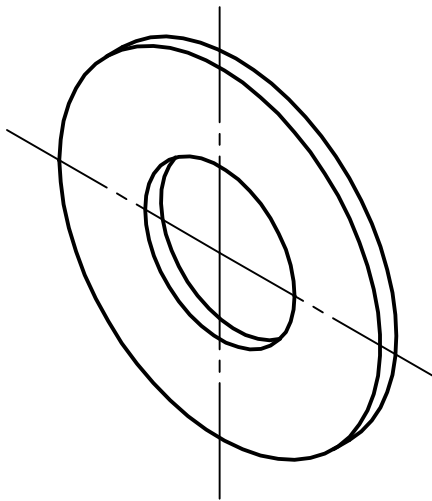
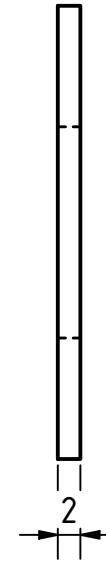
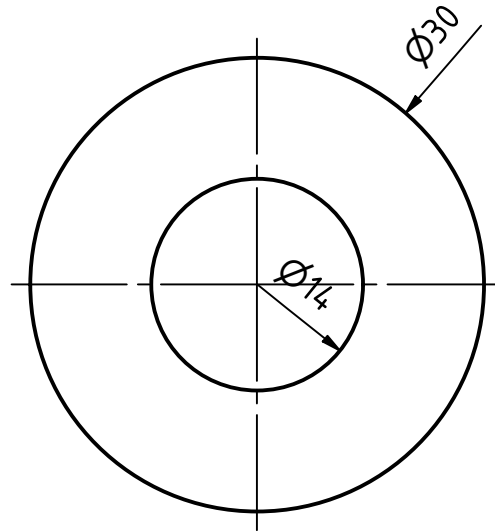
PROJECT	CREATED BY	APPROVED BY	DATE	VERSION
Horizontal shaft turbine	D. MOSQUERA	A. MORILLO	15/11/2021	1.0
PART NAME	FILE NAME			POS
Rubber guide	ygh_hts_rubber-guide.ipt			3.2
DEVELOPED BY	REDESIGNED BY	DOC. TYPE	MATERIAL	QUANTITY
Original developer		Part	Rubber	1
		LICENCE	SCALE	SHEET
		CC-BY-SA 4.0	2:1	20 /28

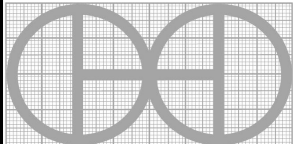
OHO e.V.



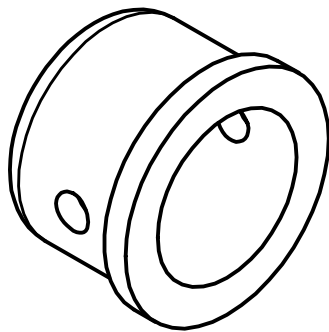
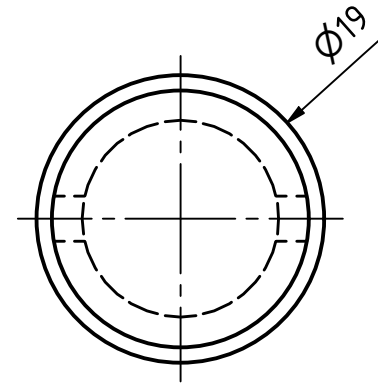
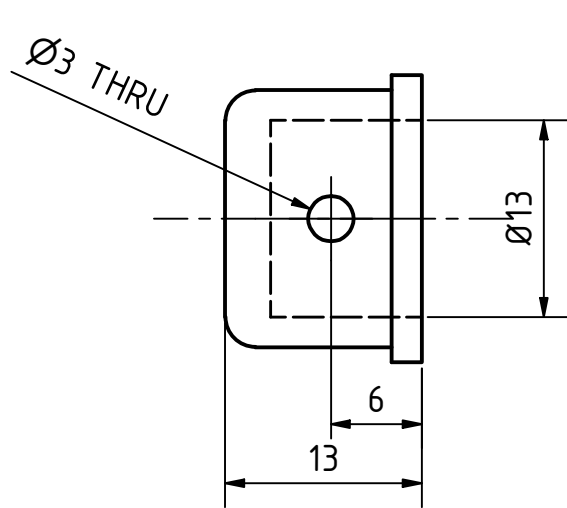
PROJECT	CREATED BY	APPROVED BY	DATE	VERSION
Horizontal shaft turbine	D. MOSQUERA	A. MORILLO	15/11/2021	1.0
PART NAME	FILE NAME			POS
Rubber buffer	ygh_hts_rubber-buffer.ipt			3.3
DEVELOPED BY	REDESIGNED BY	DOC. TYPE	MATERIAL	QUANTITY
Original developer		Part	Rubber	1
		LICENCE	SCALE	SHEET
		CC-BY-SA 4.0	2:1	21 /28

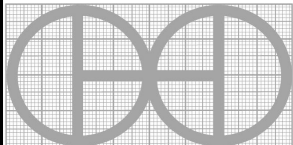
OHO e.V.



PROJECT	CREATED BY	APPROVED BY	DATE	VERSION
Horizontal shaft turbine	D. MOSQUERA	A. MORILLO	15/11/2021	1.0
PART NAME	FILE NAME			POS
Washers rubber	ygh_hts_washers-rubber			3.6
DEVELOPED BY	REDESIGNED BY	DOC. TYPE	MATERIAL	QUANTITY
Original developer		Part	Rubber	2
		LICENCE	SCALE	SHEET
		CC-BY-SA 4.0	2:1	22 /28

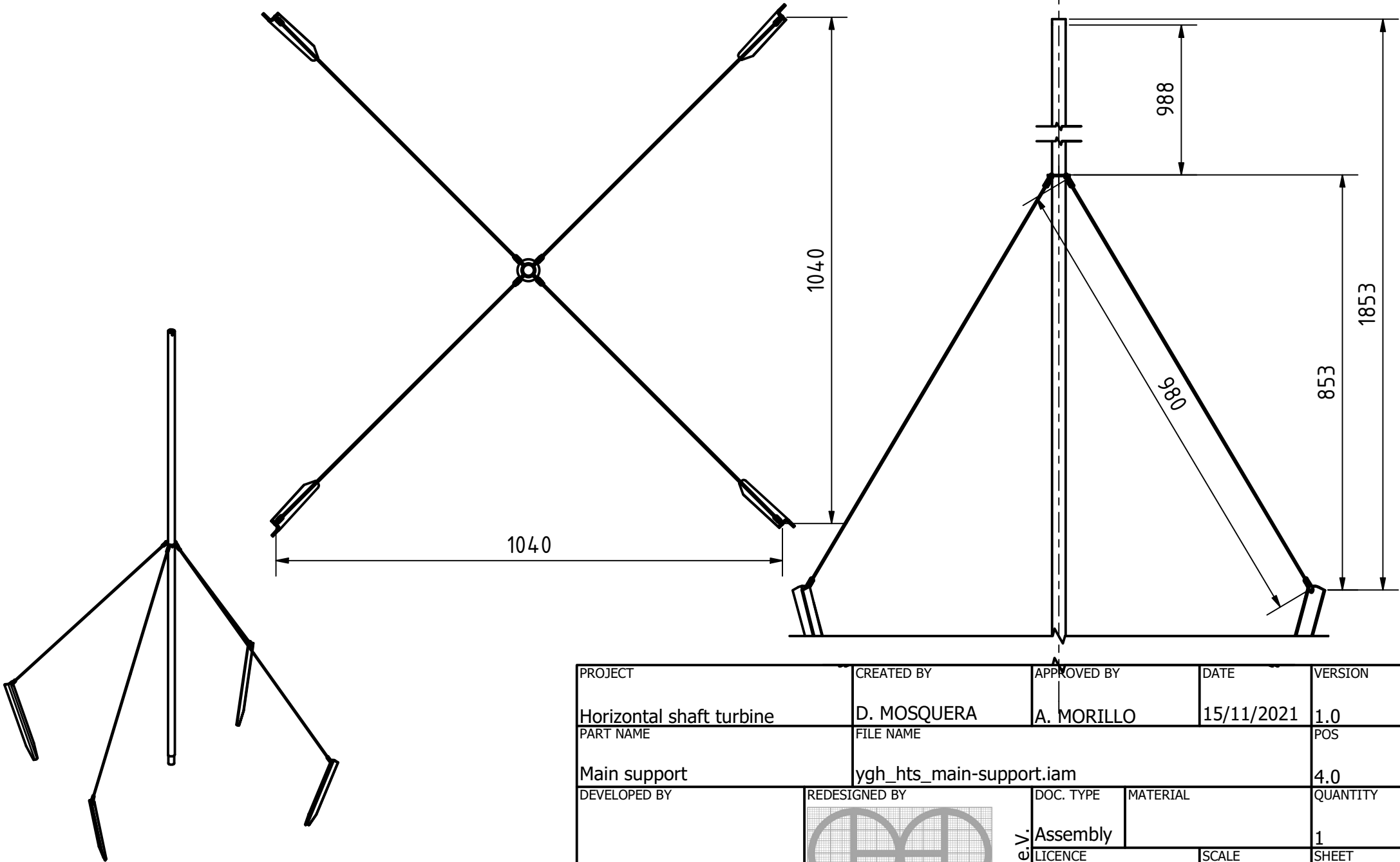
OHO e.V.

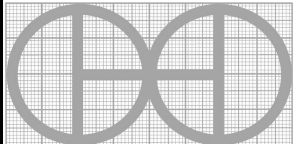


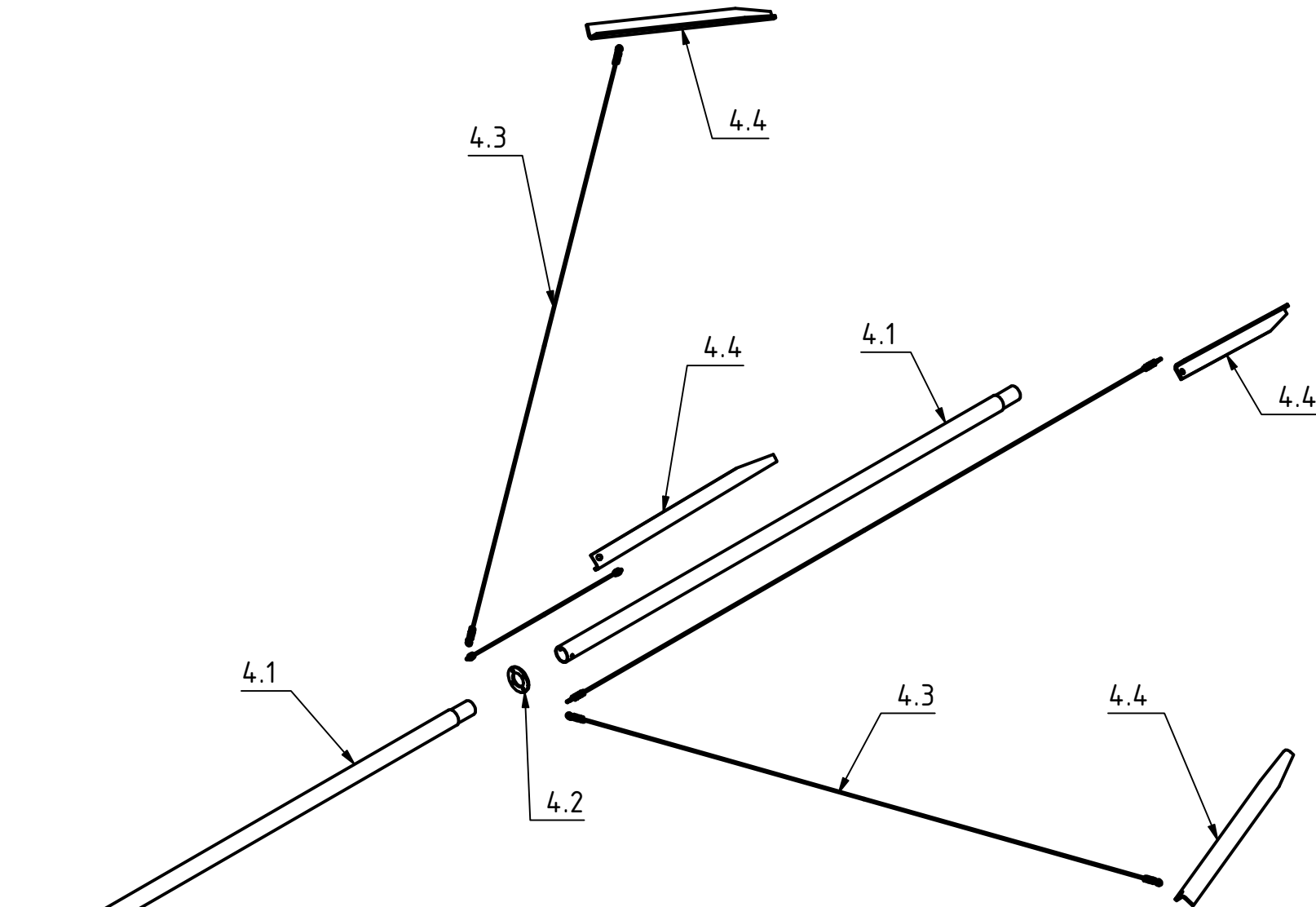
PROJECT	CREATED BY	APPROVED BY	DATE	VERSION
Horizontal shaft turbine	D. MOSQUERA	A. MORILLO	15/11/2021	1.0
PART NAME	FILE NAME			POS
Pipe plug superior	ygh_hts_pipe-plug-superior.ipt			3.6
DEVELOPED BY	REDESIGNED BY	DOC. TYPE	MATERIAL	QUANTITY
Original developer		Part	PVC	1
		LICENCE	SCALE	SHEET
		CC-BY-SA 4.0	2:1	23 /28

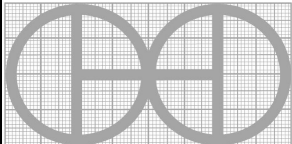
OHO e.V.

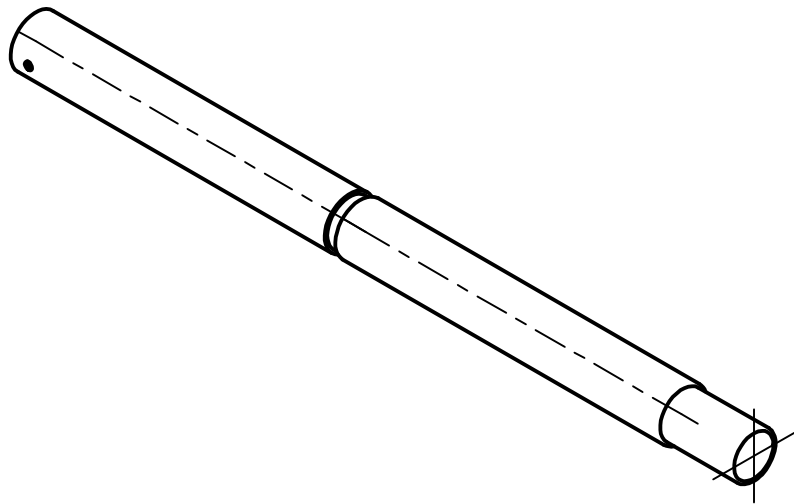
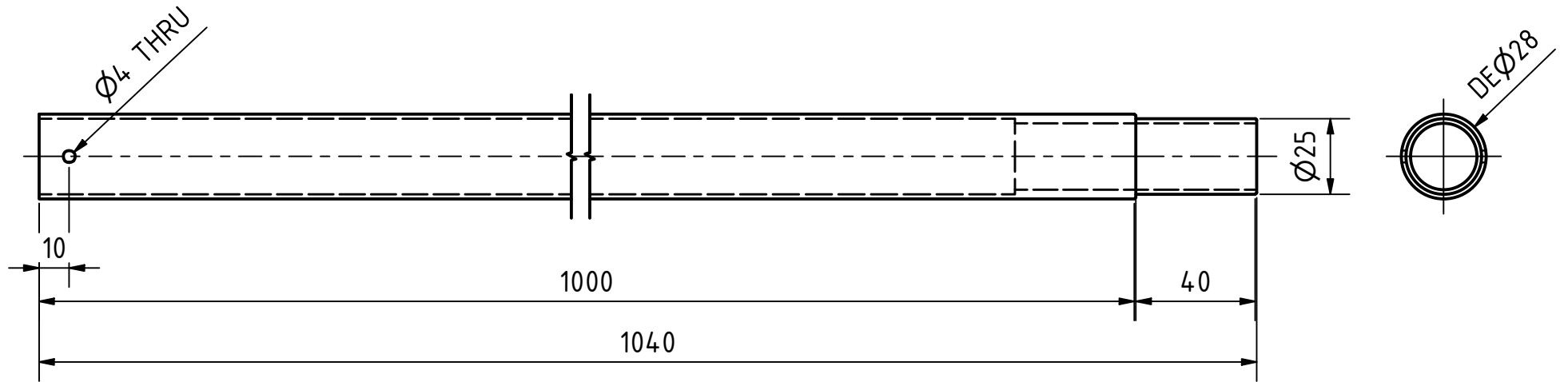
A (1 : 10)

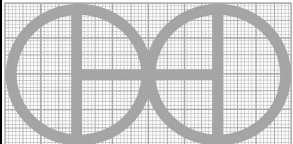


PROJECT	CREATED BY	APPROVED BY	DATE	VERSION
Horizontal shaft turbine	D. MOSQUERA	A. MORILLO	15/11/2021	1.0
PART NAME	FILE NAME			POS
Main support	ygh_hts_main-support.iam			4.0
DEVELOPED BY	REDESIGNED BY	DOC. TYPE	MATERIAL	QUANTITY
		Assembly		1
Original developer		LICENCE	SCALE	SHEET
		CC-BY-SA 4.0	1:10	24 /28

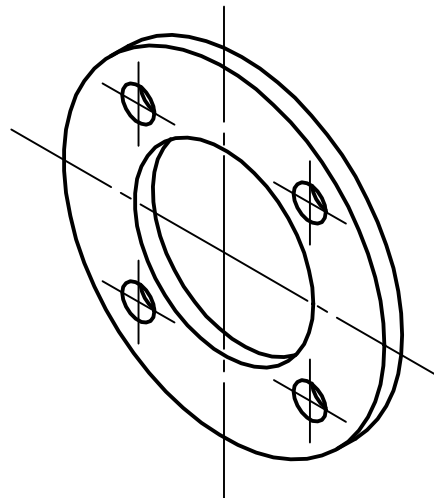
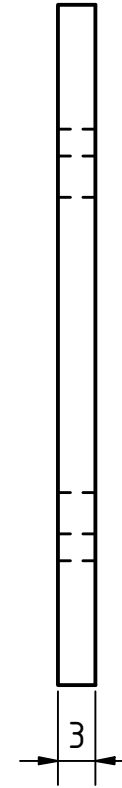
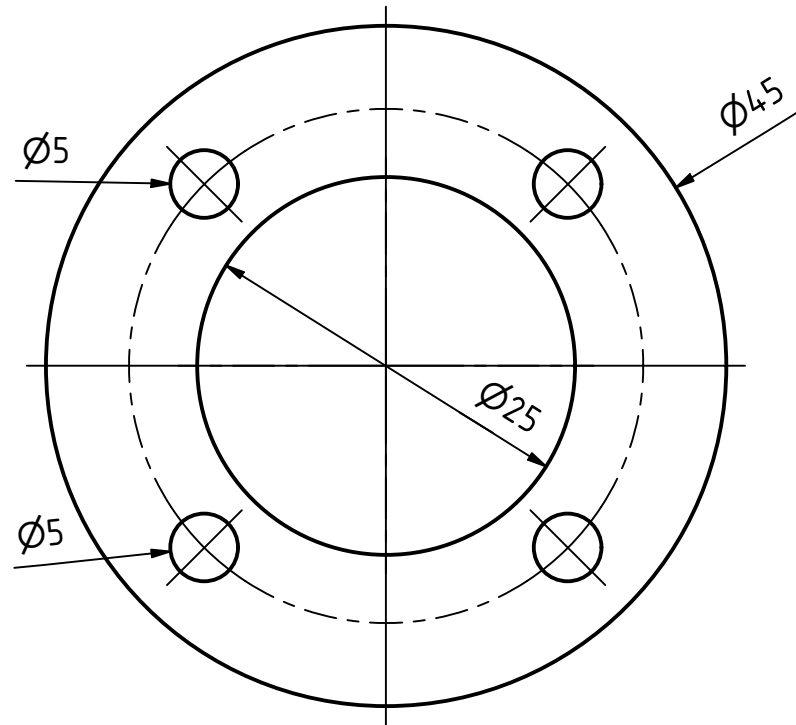


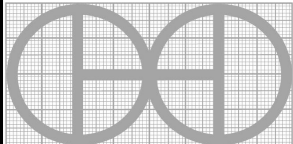
PROJECT		CREATED BY		APPROVED BY		DATE		VERSION	
Horizontal shaft turbine		D. MOSQUERA		A. MORILLO		15/11/2021		1.0	
PART NAME		FILE NAME						POS	
Main support		ygh_hts_main-support.ipn						4.0	
DEVELOPED BY		REDESIGNED BY		DOC. TYPE		MATERIAL		QUANTITY	
Original developer				Assembly				1	
				LICENCE		SCALE		SHEET	
				CC-BY-SA 4.0		1:10		25 /28	



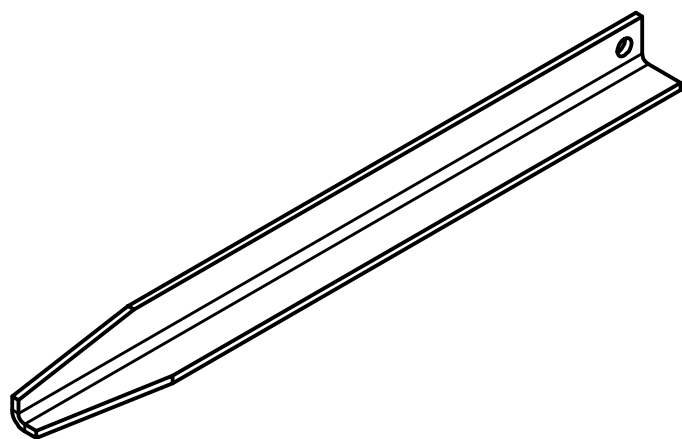
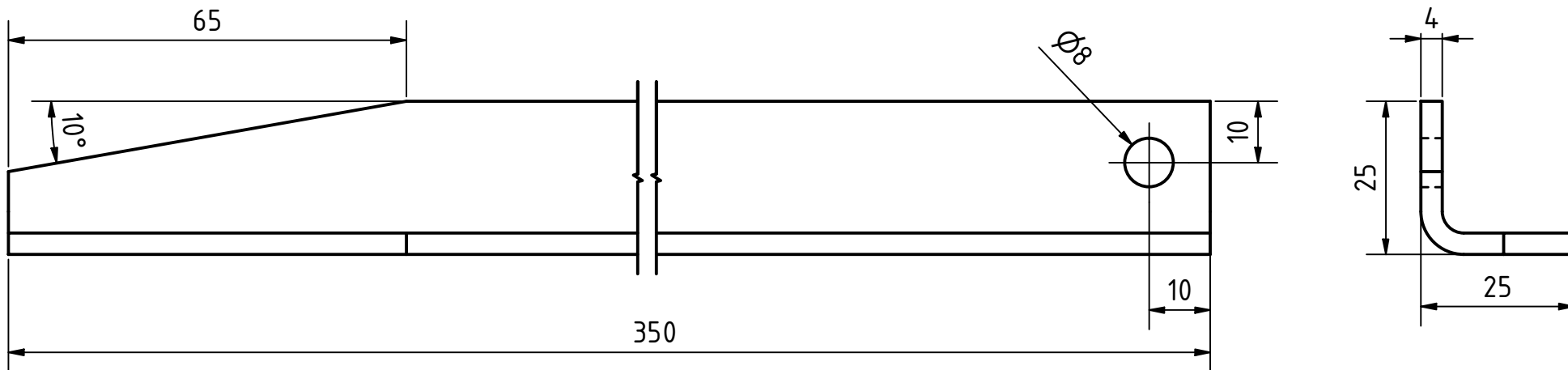
PROJECT	CREATED BY	APPROVED BY	DATE	VERSION
Horizontal shaft turbine	D. MOSQUERA	A. MORILLO	15/11/2021	1.0
PART NAME	FILE NAME			POS
Main support tube	ygh_hts_main-support-tube.ipt			4.1
DEVELOPED BY	REDESIGNED BY	DOC. TYPE	MATERIAL	QUANTITY
Original developer		Part	Galvanized Steel	2
		LICENCE	SCALE	SHEET
		CC-BY-SA 4.0	1:2	26 /28

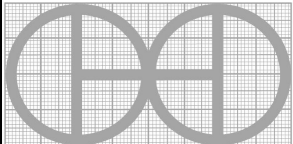
OHO e.V.



PROJECT	CREATED BY	APPROVED BY	DATE	VERSION
Horizontal shaft turbine	D. MOSQUERA	A. MORILLO	15/11/2021	1.0
PART NAME	FILE NAME			POS
Ring tensor	ygh_hts_ring-tensor.ipt			4.2
DEVELOPED BY	REDESIGNED BY	DOC. TYPE	MATERIAL	QUANTITY
		Part	Galvanized Steel	1
Original developer		LICENCE	SCALE	SHEET
		CC-BY-SA 4.0	2:1	27 /28

OHO e.V.



PROJECT	CREATED BY	APPROVED BY	DATE	VERSION
Horizontal shaft turbine	D. MOSQUERA	A. MORILLO	15/11/2021	1.0
PART NAME	FILE NAME			POS
Angle	ygh_hts_angle.ipt			4.4
DEVELOPED BY	REDESIGNED BY	DOC. TYPE	MATERIAL	QUANTITY
Original developer		Part	Galvanized Steel	4
		LICENCE	SCALE	SHEET
		CC-BY-SA 4.0	1:1	28 /28

OHO e.V.