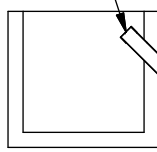


A-A

Inlet.

200



VAR

Gas reservoir.

Gas line.

Water trap.

Outlet.

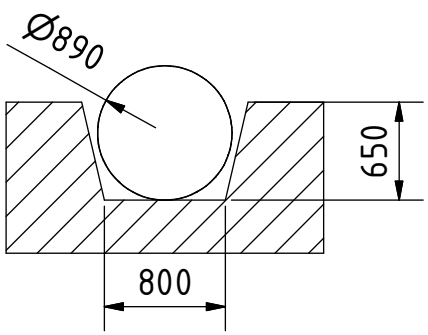
Burner.

650


Floor.

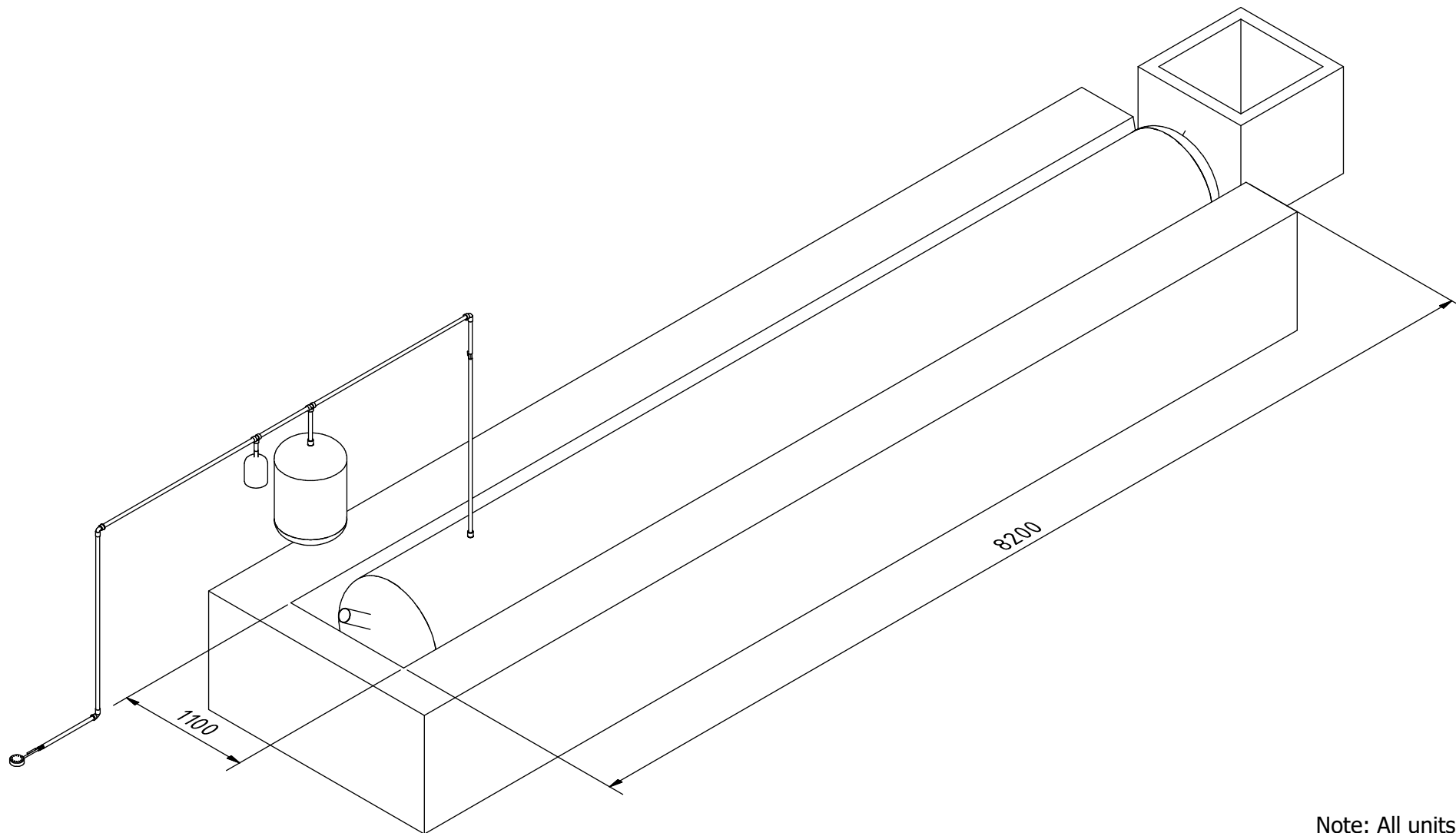
8000

B-B




Note: All units in mm.

PROJECT	CREATED BY	APPROVED BY	DATE	VERSION
Tubular plastic biodigester	J. Zeron	A. Morillo	18/09/2021	1.0
PART NAME	FILE NAME			POS
3D views	uoa_tpb_tubular_plastic_biodigester.iam			A1
DEVELOPED BY	REDESIGNED BY	DOC. TYPE	MATERIAL	QUANTITY
University of Aarhus	 OSEG	Assembly		1
		LICENCE	SCALE	SHEET
		CC-BY-SA 4.0	1:50	1 / 18



Note: All units in mm.

PROJECT	CREATED BY	APPROVED BY	DATE	VERSION
Tubular plastic biodigester	J. Zeron	A. Morillo	18/09/2021	1.0
PART NAME	FILE NAME	POS		
3D views	uoa_tpb_tubular_plastic_biodigester.iam	A1		
DEVELOPED BY	REDESIGNED BY	DOC. TYPE	MATERIAL	QUANTITY
University of Aarhus	 <small>OPEN SOURCE ECOLOGY GERMANY</small>	Assembly		1
		LICENCE	SCALE	SHEET
	OSEG	CC-BY-SA 4.0	1:40	2 /18