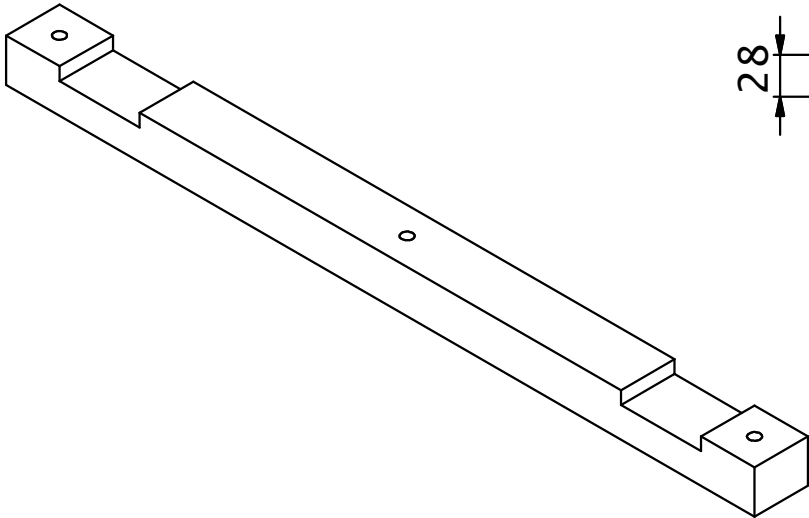
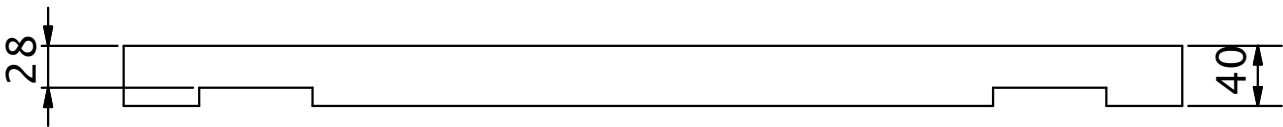
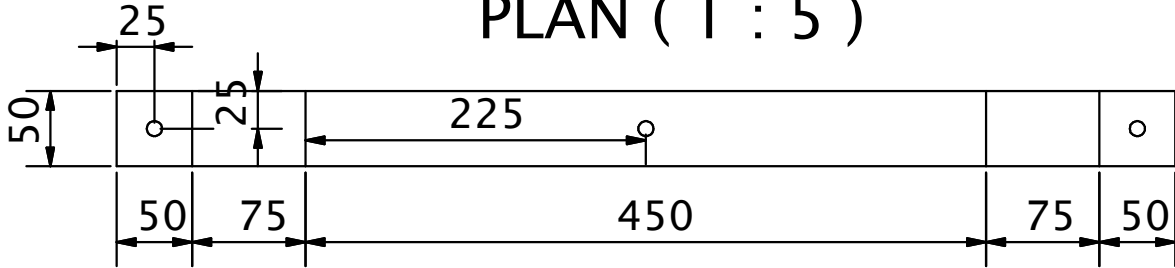
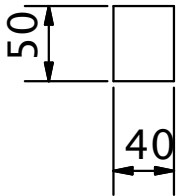



PLAN (1 : 5)



Note: All units in mm.

PROJECT	CREATED BY	APPROVED BY	DATE	VERSION
Woodworking Bench	J. Zeron	A. Morillo	24/06/2021	1.0
PART NAME	FILE NAME			POS
Jaw guide	Jaw guide.ipt			3.3
DEVELOPED BY	REDESIGNED BY	DOC. TYPE	MATERIAL	QUANTITY
		Part	Kiln dried pine	1
Practical Action	OHO e.V.	LICENCE	SCALE	SHEET
		CC-BY-SA 4.0	1:5	20 /21