

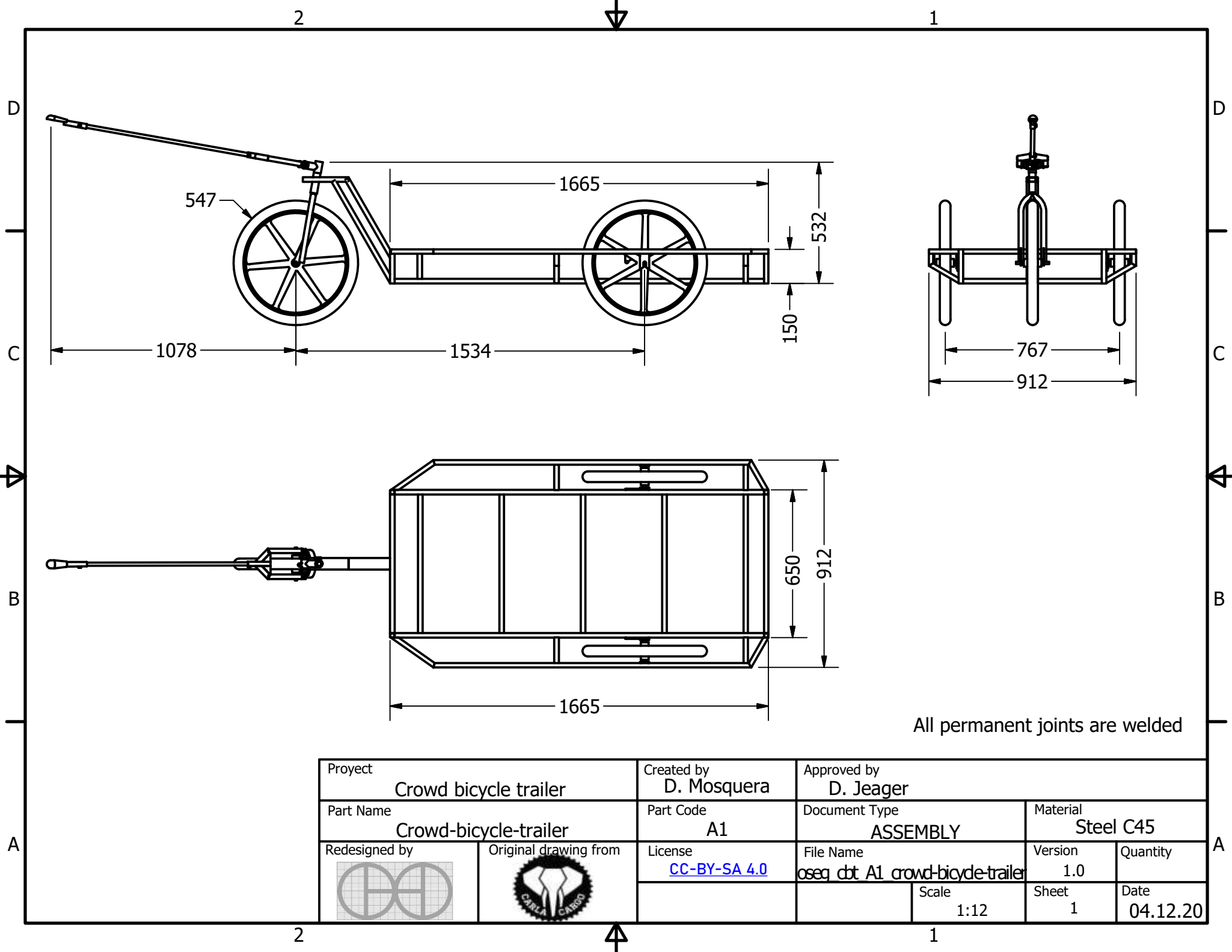
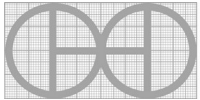



Proyect <b>NOMBRE DE PROYECTO</b>		Created by <b>D. Mosquera</b>	Approved by <b>D. Jeager</b>		
Part Name <b>DESCRIPCION - PLANO CONJUNTO</b>		Part Code <b>A1</b>	Document Type <b>ASSEMBLY</b>	Material <b>Steel C45</b>	
Redesigned by 	Original drawing from 	License <a href="https://creativecommons.org/licenses/by-sa/4.0/">CC-BY-SA 4.0</a>	File Name <b>oseg_dbt_A1_crowd-bicycle-trailer</b>	Version <b>1.0</b>	Quantity
			Scale <b>1:12</b>	Sheet <b>1</b>	Date <b>04.12.20</b>



All permanent joints are welded

Project <b>Crowd bicycle trailer</b>		Created by <b>D. Mosquera</b>		Approved by <b>D. Jeager</b>	
Part Name <b>Crowd-bicycle-trailer</b>		Part Code <b>A1</b>	Document Type <b>ASSEMBLY</b>		Material <b>Steel C45</b>
Redesigned by 	Original drawing from 	License <a href="https://creativecommons.org/licenses/by-sa/4.0/">CC-BY-SA 4.0</a>	File Name <b>oseg_dtb_A1_crowd-bicycle-trailer</b>		Version <b>1.0</b>
			Scale <b>1:12</b>	Sheet <b>1</b>	Date <b>04.12.20</b>