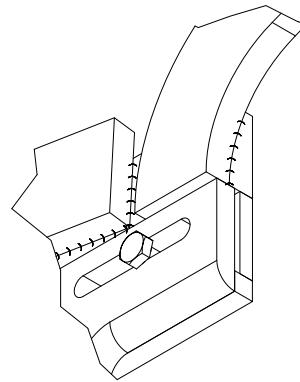
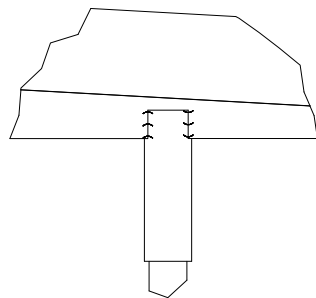
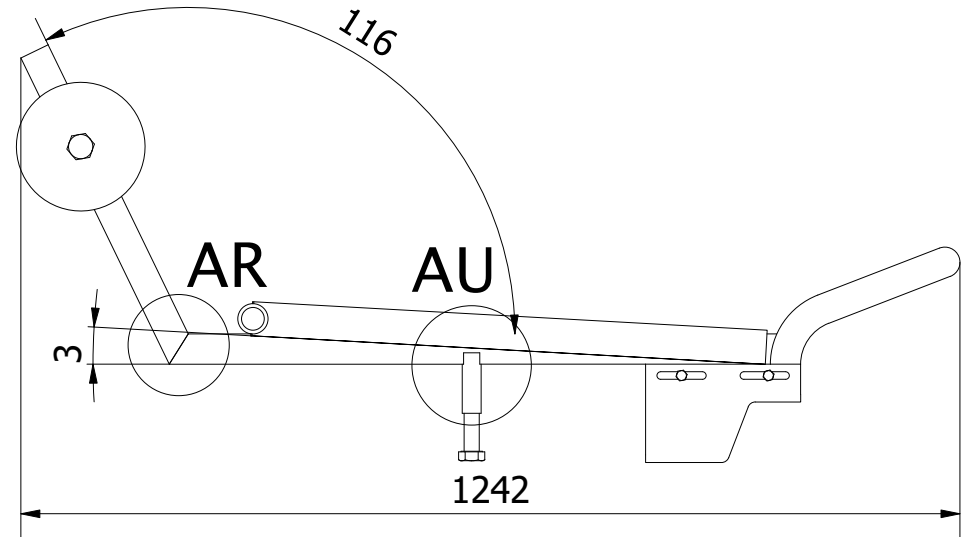


AR ( 1 : 2.5 )




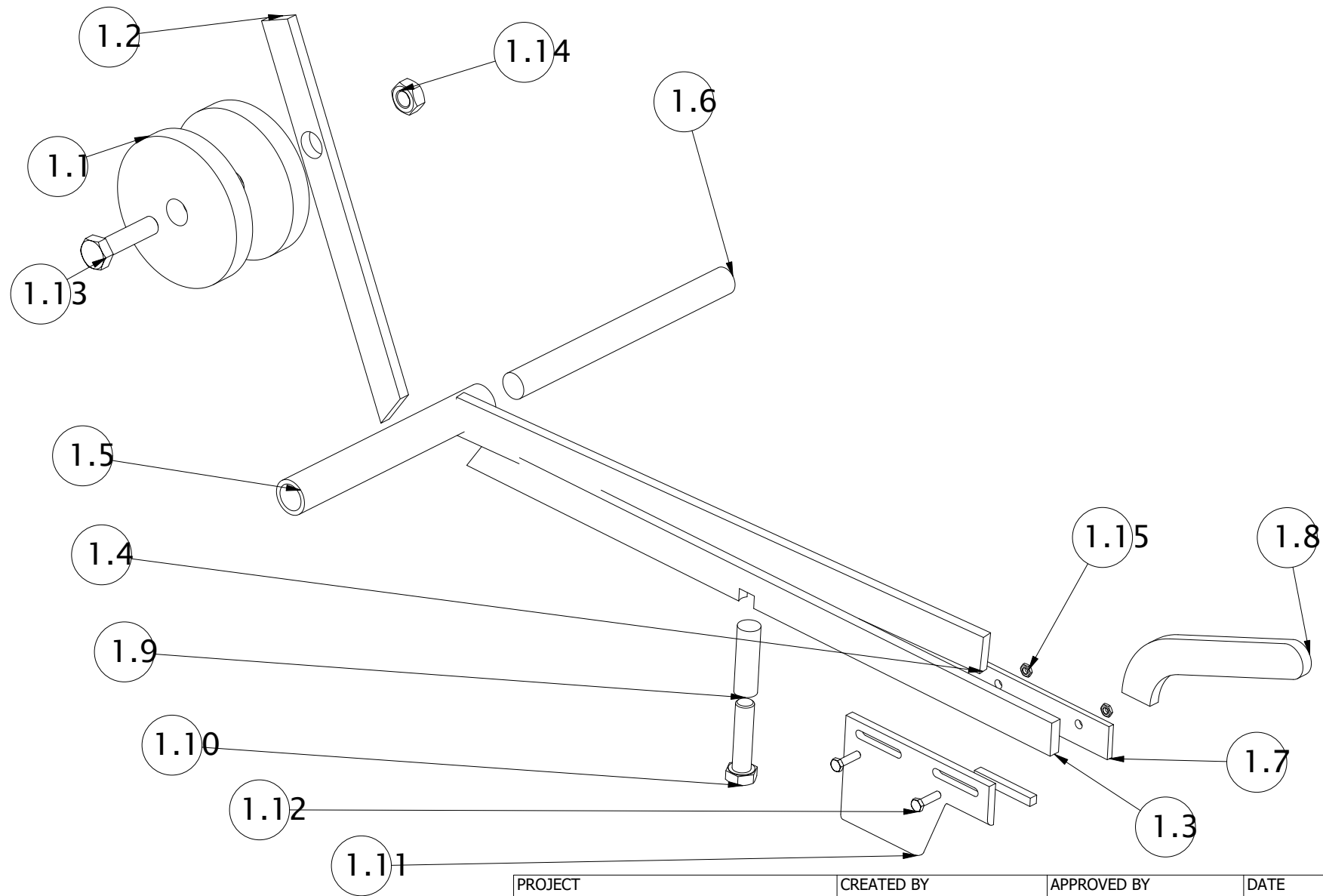
AT ( 1 : 3 )




AU ( 1 : 4 )

Note: All units in mm.

PROJECT	CREATED BY	APPROVED BY	DATE	VERSION
Potery wheel	J. Rosciano	A. Morillo	17/06/2021	1.2
PART NAME	FILE NAME			POS
Moulding assembly	1.0_Moulding_Assembly.iam			1.0
DEVELOPED BY	REDESIGNED BY	DOC. TYPE	MATERIAL	QUANTITY
		Assembly		1
Practical Action	OHO e.V.	LICENCE	SCALE	SHEET
		CC-BY-SA 4.0	1/2	7 /46



PROJECT	CREATED BY	APPROVED BY	DATE	VERSION
Potery wheel	J. Rosciano	A. Morillo	17/06/2021	1.2
PART NAME	FILE NAME			POS
Moulding assembly	1.0_Moulding_Assembly.ipn			1.0
DEVELOPED BY	REDESIGNED BY	DOC. TYPE	MATERIAL	QUANTITY
		Assembly		1
Practical Action	OHO e.V.	LICENCE	SCALE	SHEET
		CC-BY-SA 4.0	1/10	8 /46