
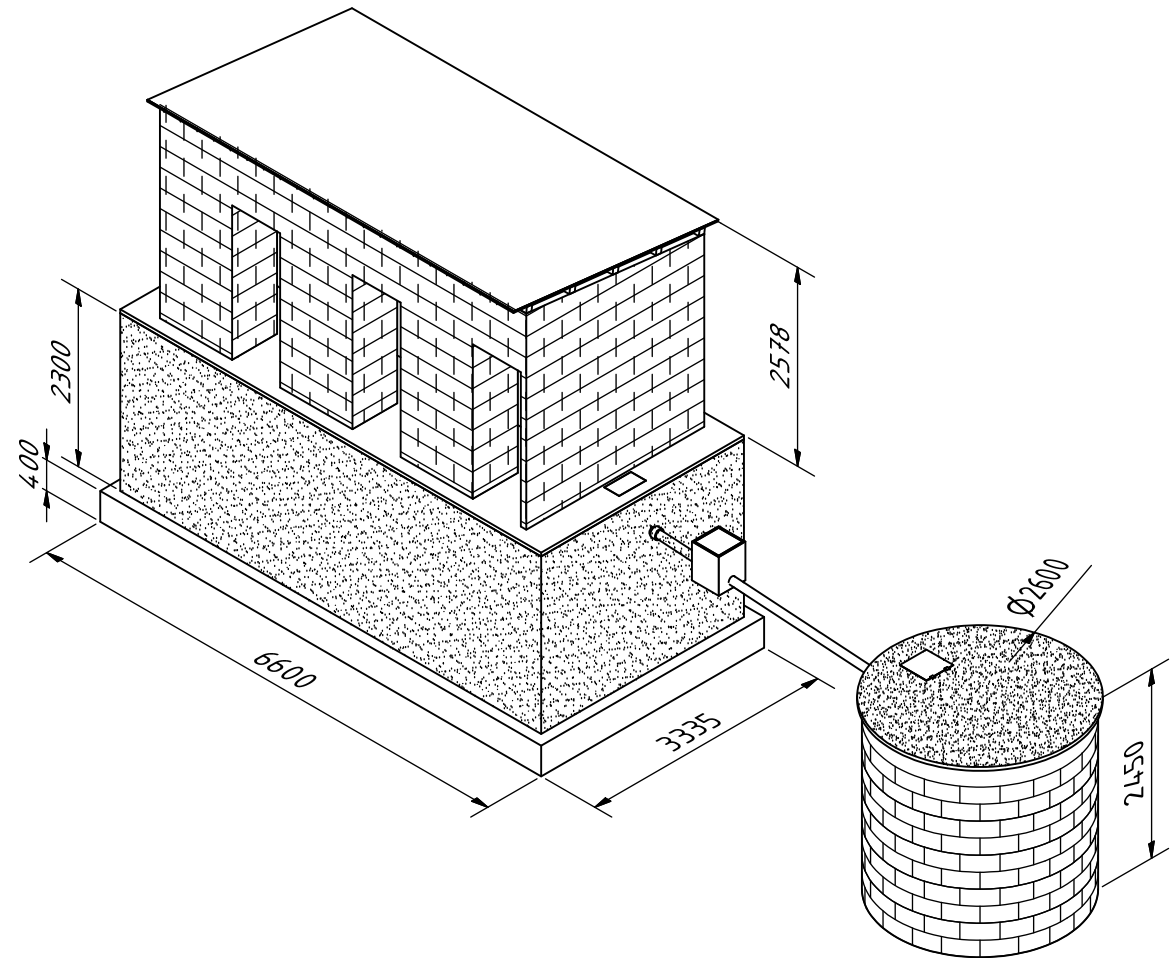
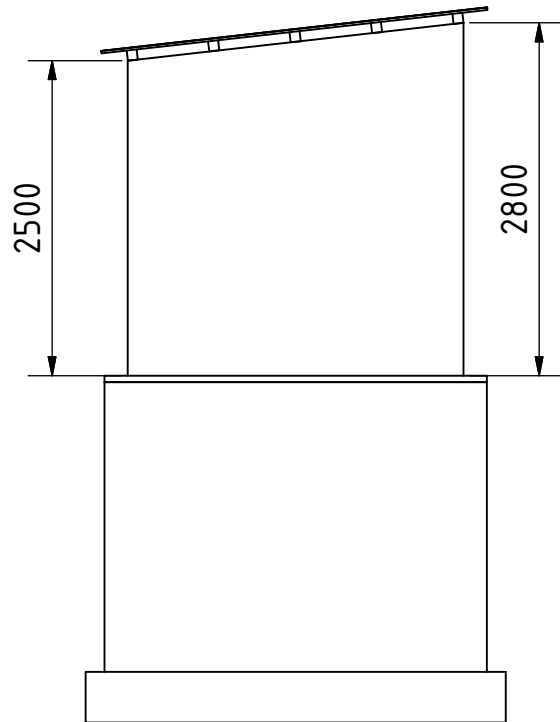



Note: All units in mm.

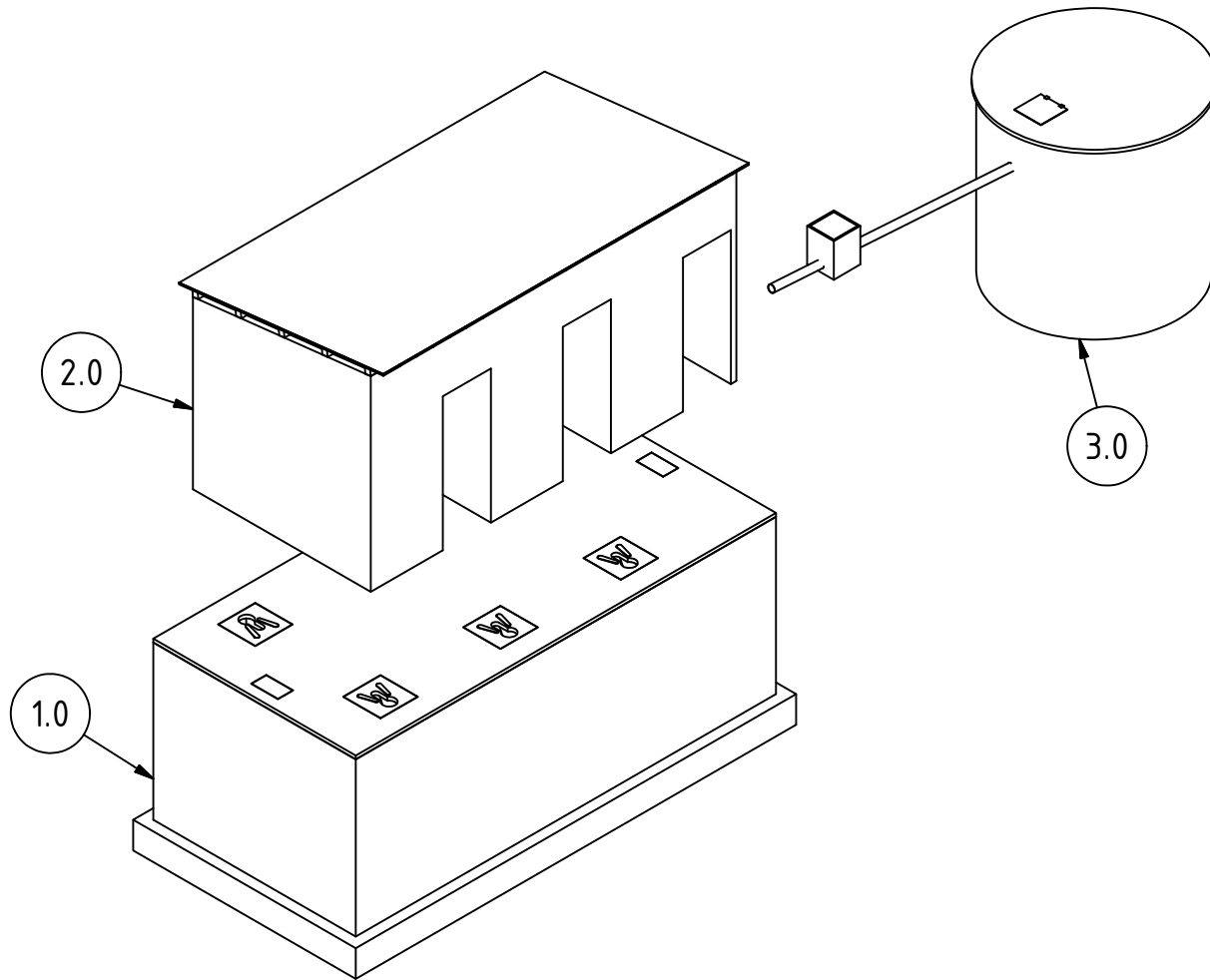
PROJECT Pit for Waste Disposal in rural areas	CREATED BY J. Zeron	APPROVED BY A. Morillo	DATE 25/08/2021	VERSION 1.0
PART NAME	FILE NAME who_pwd_pit_for_waste_disposal_in_rural_areas.iam			POS A1
3D views	DEVELOPED BY	REDESIGNED BY	DOC. TYPE Assembly	MATERIAL
WORLD HEALTH ORGANIZATION	OHO e.V.		LICENCE CC-BY-SA 4.0	SCALE 1:100
			SHEET 1 / 17	QUANTITY


SIDE (1 : 60)



Note: All units in mm.

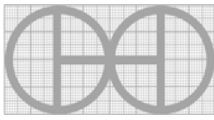
PROJECT Pit for Waste Disposal in rural areas	CREATED BY J. Zeron	APPROVED BY A. Morillo	DATE 25/08/2021	VERSION 1.0
PART NAME 3D views	FILE NAME who_pwd_pit_for_waste_disposal_in_rural_areas.iam			POS A1
DEVELOPED BY WORLD HEALTH ORGANIZATION	REDESIGNED BY  OHO e.V.	DOC. TYPE Assembly	MATERIAL	QUANTITY
		LICENCE CC-BY-SA 4.0	SCALE 1:80	SHEET 2 / 17



PROJECT Pit for Waste Disposal in rural areas		CREATED BY J. Zeron	APPROVED BY A. Morillo	DATE 25/08/2021	VERSION 1.0
PART NAME Exploded 3D view		FILE NAME who_pwd_pit_for_waste_disposal_in_rural_areas.ipn			POS A2
DEVELOPED BY WORLD HEALTH ORGANIZATION		REDESIGNED BY  OHO e.V.		DOC. TYPE Assembly	MATERIAL QUANTITY
		LICENCE CC-BY-SA 4.0		SCALE 1:80	SHEET 3 / 17


Parts list

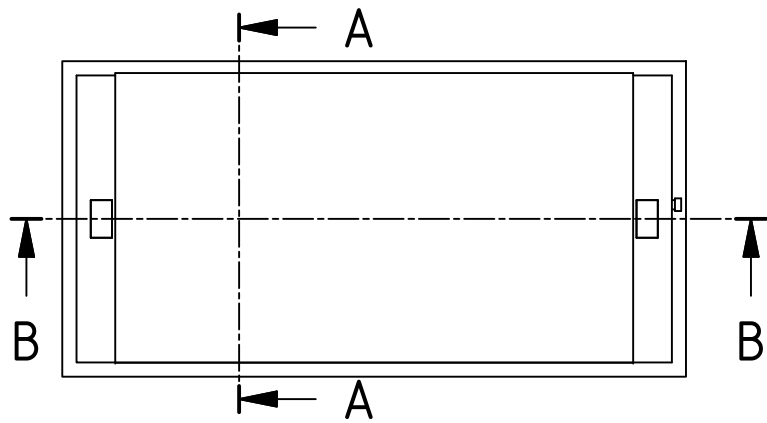
POS	QTY	PART NAME	FILE NAME	PART TYPE	SPECIFICATIONS	SHEET
A1	1	3d views	who_pwd_pit_for_waste_disposal_in_rural_areas.iam	-	-	1-2
A2	1	Exploded 3d view	who_pwd_pit_for_waste_disposal_in_rural_areas.ipn	-	-	3
B1	-	Parts list	who_pwd_pit_for_waste_disposal_in_rural_areas.csv	-	-	4
1.0	1	Tank	Tank.ipn	-	-	5
1.1	1	Foundation	Foundation.ipt	Production	Reinforced concrete	6
1.2	1	Structuring tank	Structuring tank.ipt	Production	Reinforced concrete	7
1.3	1	Slab	Slab.ipt	Production	Reinforced concrete	8
1.4	6	Sanitary slab	Sanitary slab.ipt	Production	Reinforced concrete	9
1.5	1	Inspection lid	-	Production	Reinforced concrete 400x225x50mm	-
1.6	6	Downspout tube	-	Production	PVC tube 4 inch schedule 40 L:450mm	-
1.7	5	Spillway tube	-	Production	PVC tube 4 inch schedule 40 L:300mm	-
1.8	3	Tube T	-	Buy	PVC tube T 4 inch schedule 40	-
1.9	1	Copling	-	Production	PVC copling 4 inch schedule 40	-
2.0	1	Structuring	Structuring.ipn	-	-	10
2.1	1	Walls	Walls.ipt	Production	Made of bricks	11
2.2	5	Beam	-	Production	Kiln dried wood 40x40x5480mm	-
2.3	22	Top planking	-	Production	Tongue and groove internal ceiling, Kiln dried wood 20x250x3080mm	-
2.4	132	Nails	-	Buy	Galvanized nails 3x45mm	-
2.5	1	Asphalt mantle	-	Buy	Asphalt roll roofing 5480x3081mm	-
3.0	1	Pit	Pit.ipn	-	-	12
3.1	1	Wall pit	Wall pit.ipt	Production	Made of bricks	13
3.2	1	Slab pit	Slab pit.ipt	Production	Reinforced concrete	14
3.3	1	Lid pit	-	Production	Steel C45 sheet 2x400x400mm	-
3.4	2	Hinge lid pit	-	Buy	Galvanized steel hinge 40x40mm	-
3.5	1	Inspection box	Inspection box.ipt	Production	Reinforced concrete	15
3.6	1	Inspection box top	Inspection box top.ipt	Production	Reinforced concrete	16
3.7	1	Tube A	-	Production	PVC tube 4 inch schedule 40 L:785mm	-
3.8	1	Tube B	-	Production	PVC tube 4 inch schedule 40 L:2650mm	-

PROJECT Pit for Waste Disposal in rural areas		CREATED BY J. Zeron	APPROVED BY A. Morillo	DATE 25/08/2021	VERSION 1.0
PART NAME Parts list		FILE NAME who_pwd_pit_for_waste_disposal_in_rural_areas.csv			POS B1
DEVELOPED BY WORLD HEALTH ORGANIZATION		REDESIGNED BY  OHO e.V.	DOC. TYPE Parts list	MATERIAL CC-BY-SA 4.0	QUANTITY SHEET 4 / 17

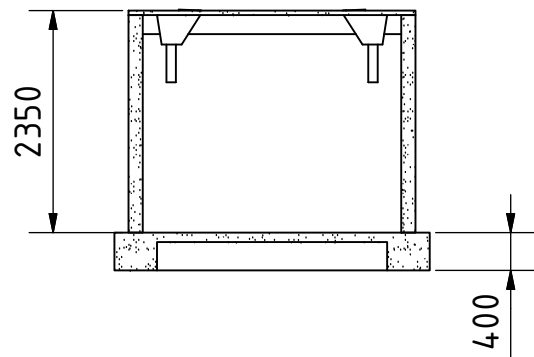
TECHNICAL NOTES

NOTES	CONTENT
GENERAL NOTES	
Construction materials	<ul style="list-style-type: none"> - Use structural concrete greater than 210kg/cm², reinforced with A42 grade corrugated steel bars, for all structural elements. Apply waterproof additive. - Bricks filled with concrete for all upper walls. Dimension of bricks: 120x180x330mm. - Apply asphalt paint on the external faces of the tank walls. - Install asphalt blanket waterproofing over the roof decking. - Use metal or wooden formwork for the construction of reinforced concrete walls.
Notes	<ul style="list-style-type: none"> - Embed the ceiling joists in the walls, or fix them with metal hooks. - Construct the tank floor with a 4% slope with the drop to the drain.

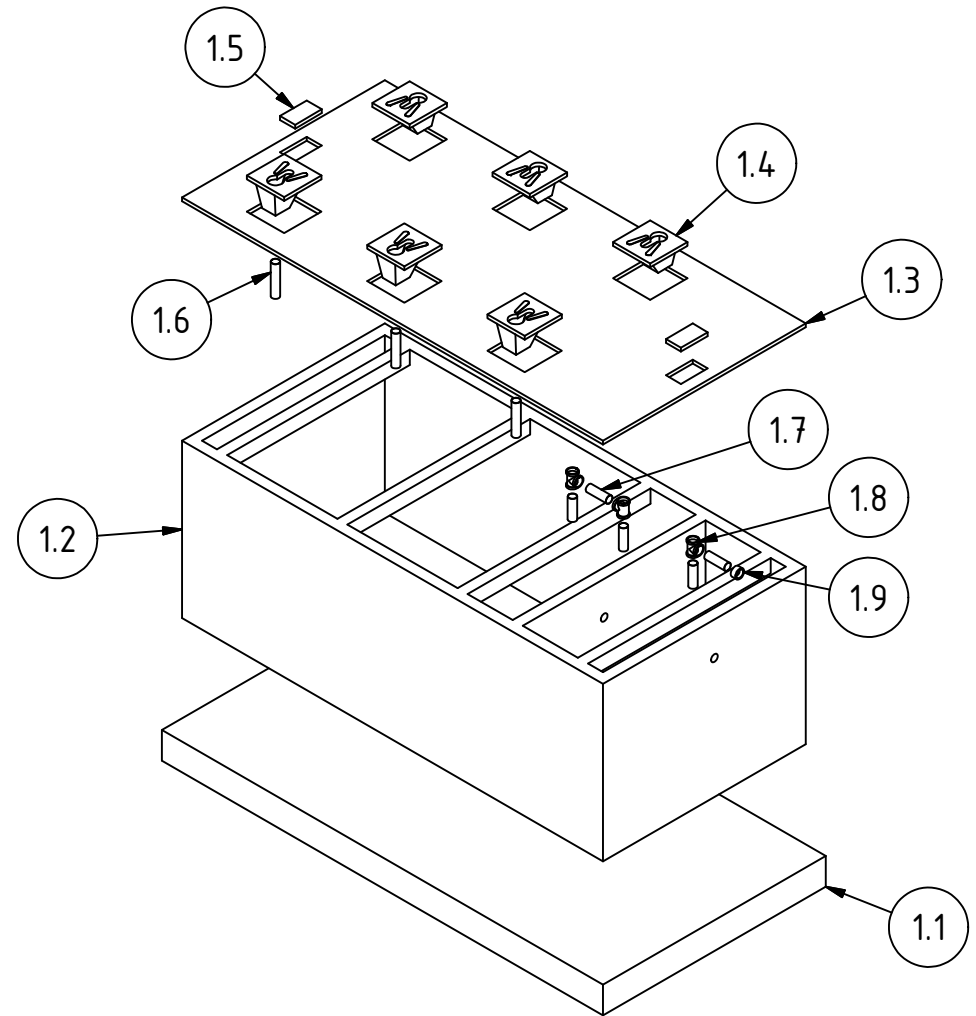
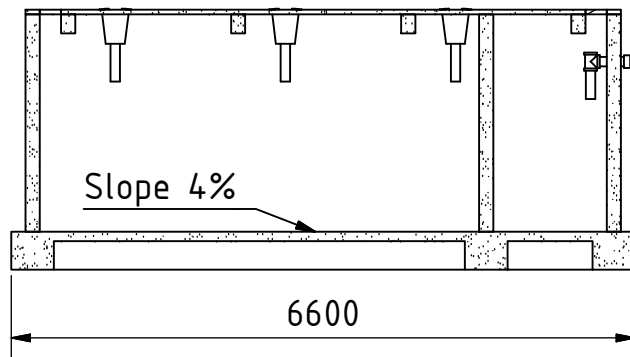
PROJECT Pit for Waste Disposal in rural areas	CREATED BY J. Zeron	APPROVED BY A. Morillo	DATE 25/08/2021	VERSION 1.0
PART NAME Technical notes	FILE NAME			POS C1
DEVELOPED BY WORLD HEALTH ORGANIZATION	REDESIGNED BY  OHO e.V.	DOC. TYPE Technical notes	MATERIAL	QUANTITY
		LICENCE CC-BY-SA 4.0	SCALE	SHEET 5 /17




A-A

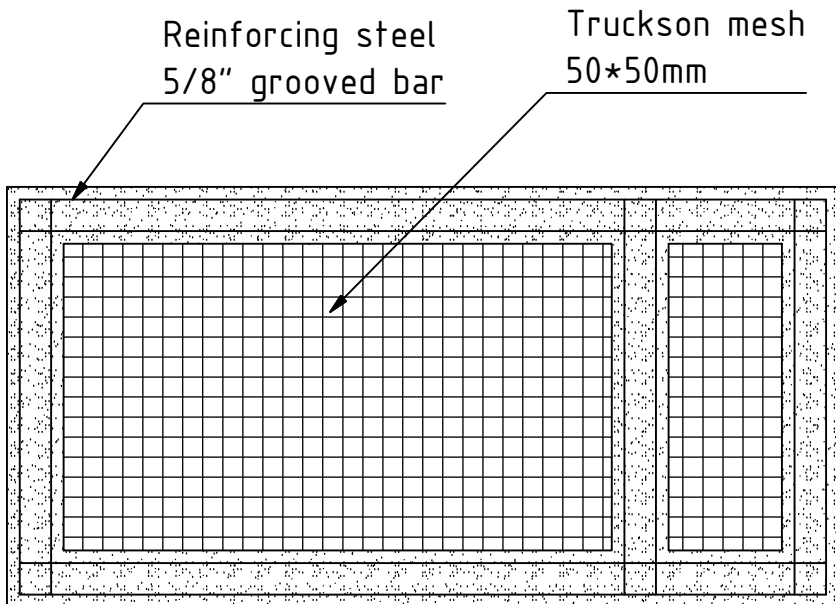
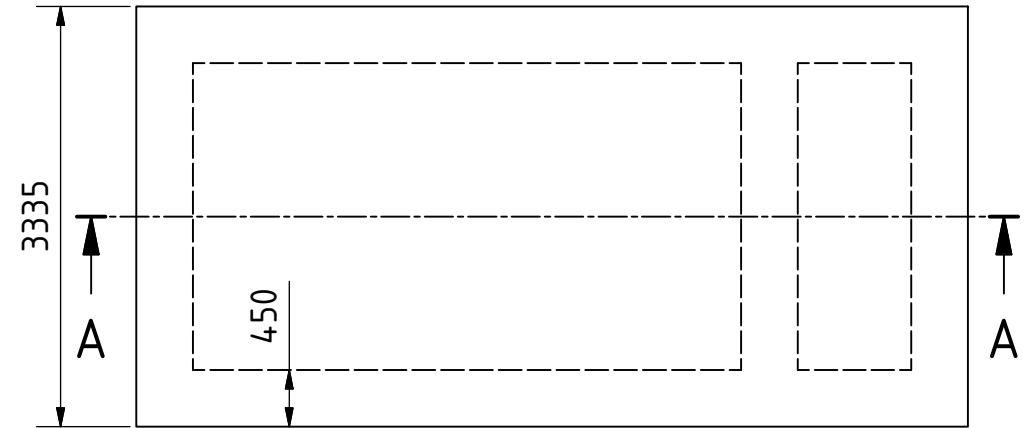
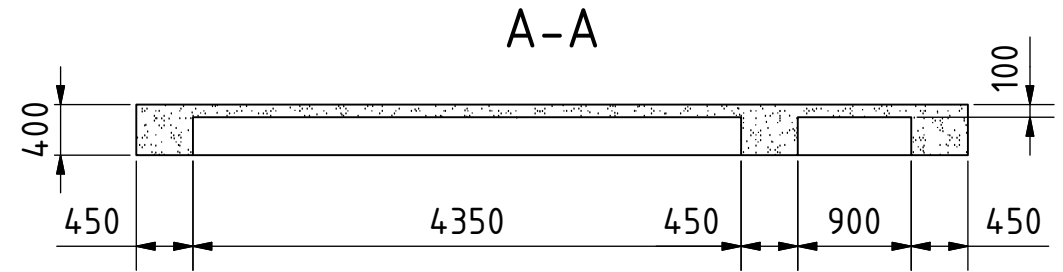
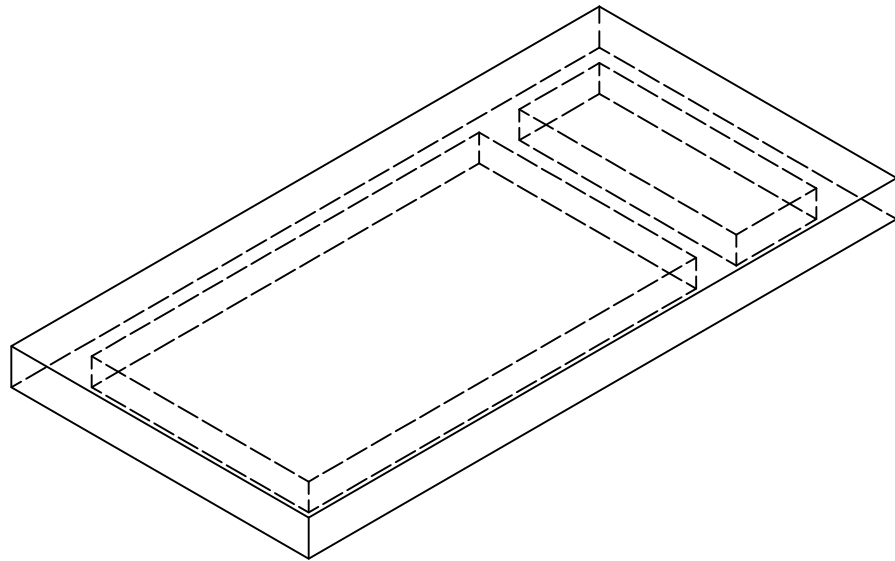


B-B




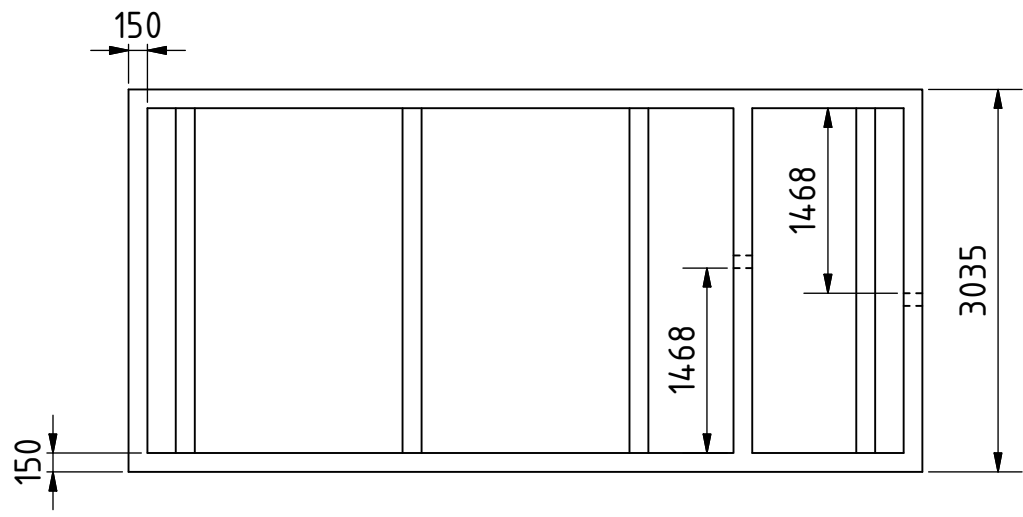
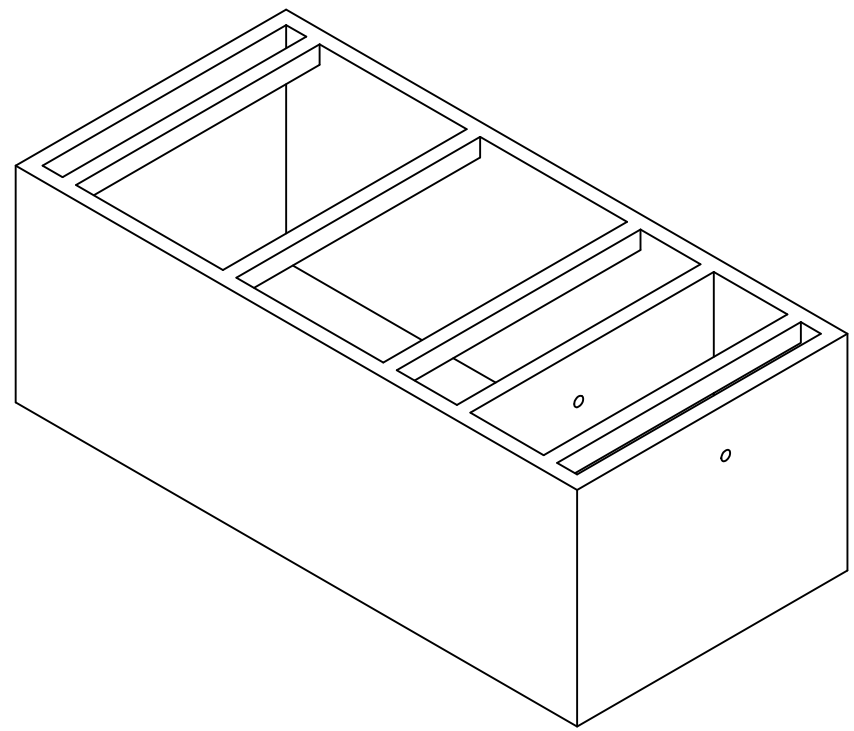
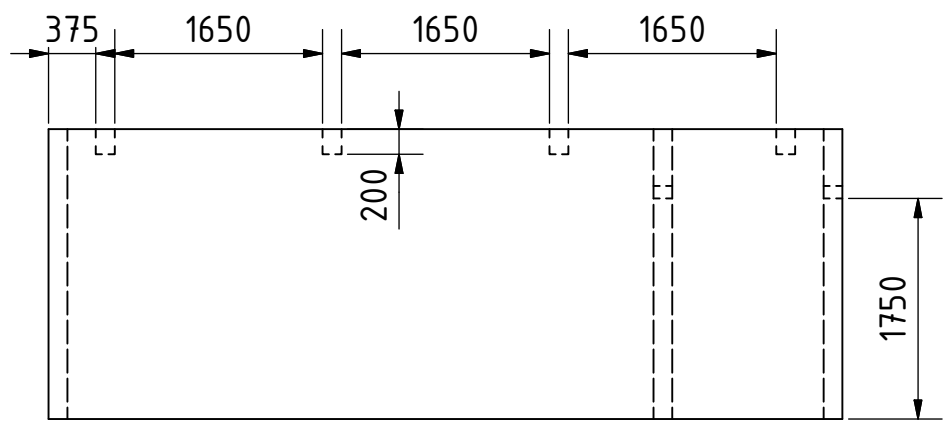
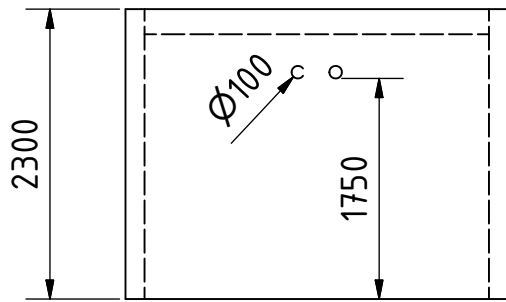
Note: All units in mm.

PROJECT Pit for Waste Disposal in rural areas	CREATED BY J. Zeron	APPROVED BY A. Morillo	DATE 25/08/2021	VERSION 1.0
PART NAME Tank	FILE NAME Tank.ipn			POS 1.0
DEVELOPED BY WORLD HEALTH ORGANIZATION	REDESIGNED BY  OHO e.V.	DOC. TYPE Assembly	MATERIAL	QUANTITY
		LICENCE CC-BY-SA 4.0	SCALE 1:80	SHEET 6 / 17




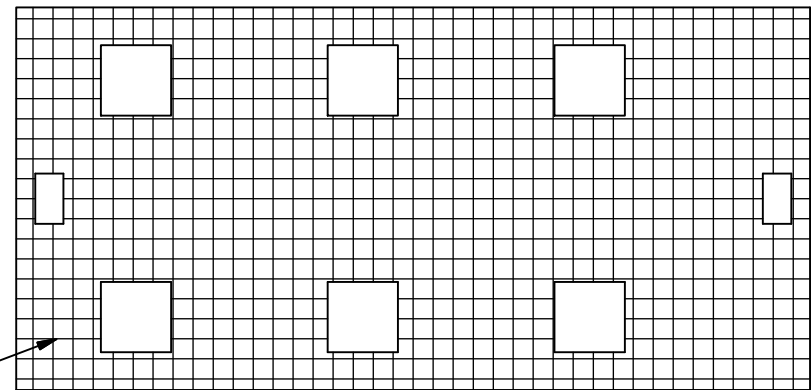
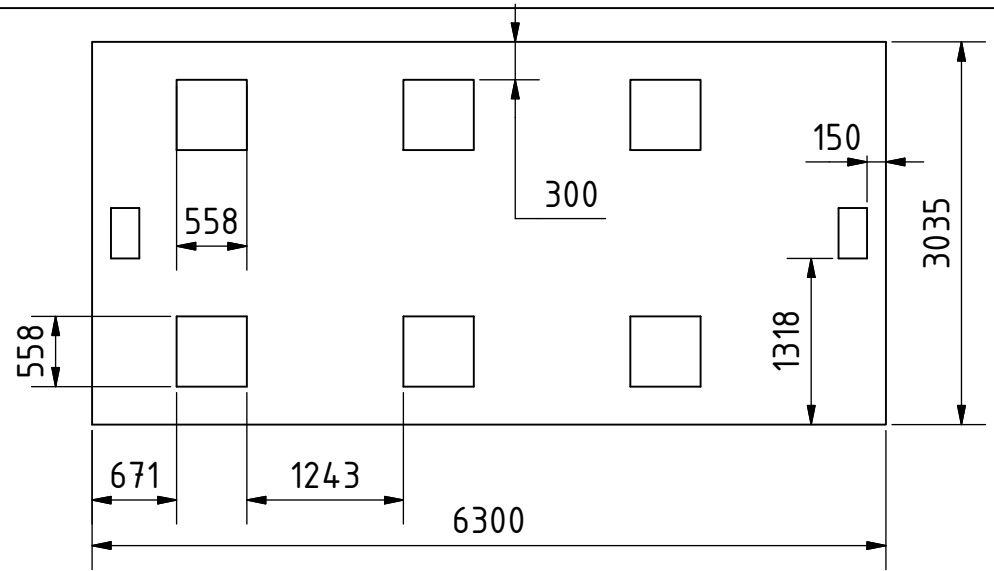
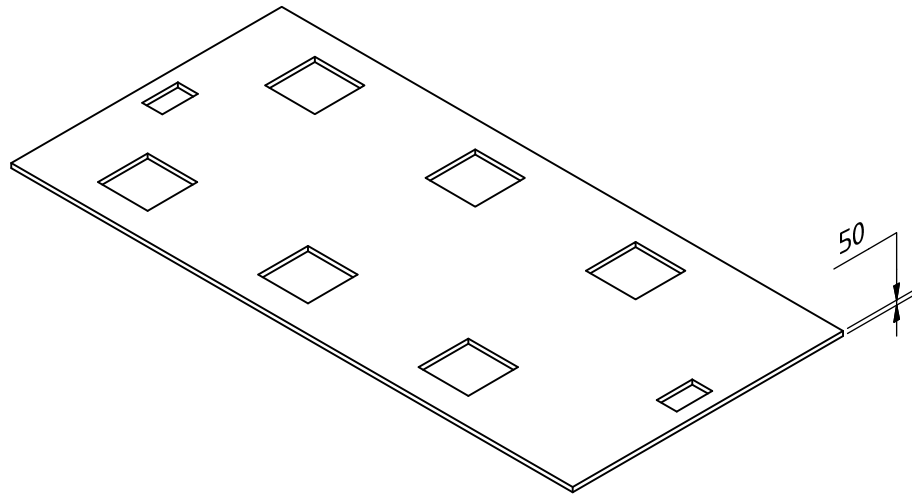
Note: All units in mm.

PROJECT Pit for Waste Disposal in rural areas	CREATED BY J. Zeron	APPROVED BY A. Morillo	DATE 25/08/2021	VERSION 1.0
PART NAME Foundation	FILE NAME Foundation.ipt			POS 1.1
DEVELOPED BY WORLD HEALTH ORGANIZATION	REDESIGNED BY  OHO e.V.	DOC. TYPE Part	MATERIAL Reinforced concrete	QUANTITY 1
		LICENCE CC-BY-SA 4.0	SCALE 1:60	SHEET 7 / 17




Note: All units in mm.

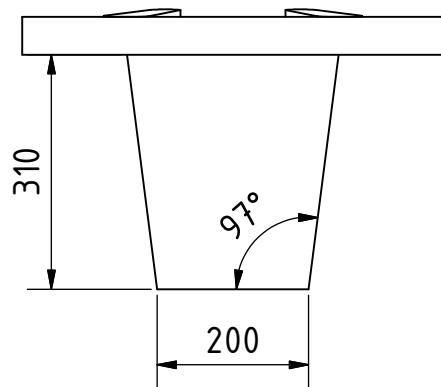
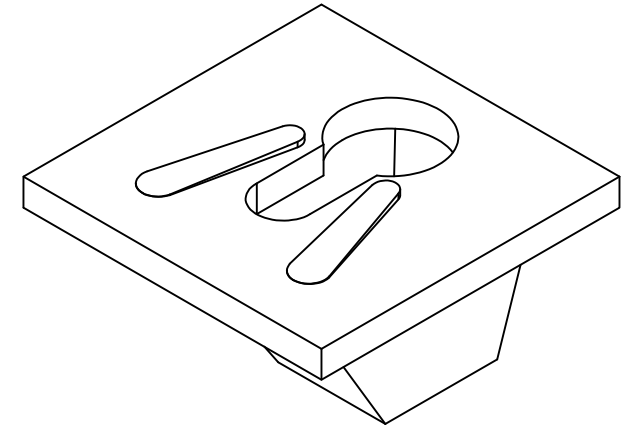
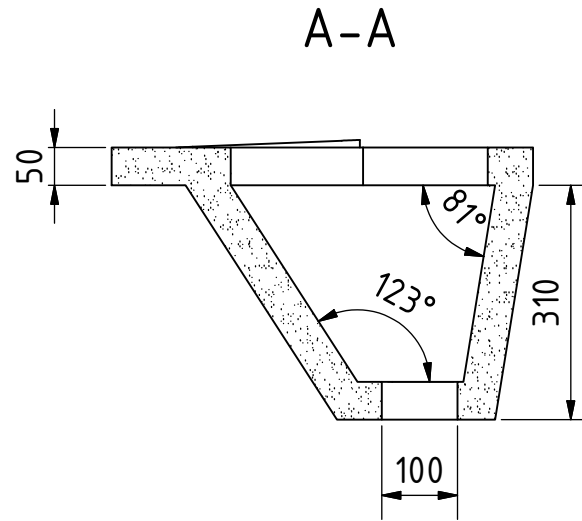
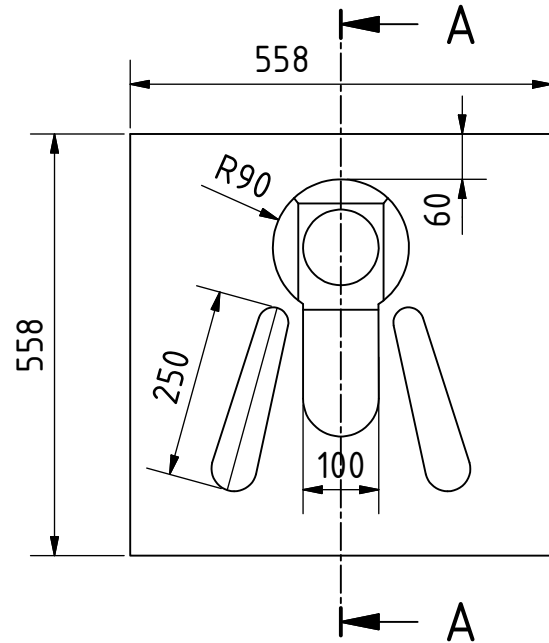
PROJECT Pit for Waste Disposal in rural areas	CREATED BY J. Zeron	APPROVED BY A. Morillo	DATE 25/08/2021	VERSION 1.0
PART NAME Structuring tank	FILE NAME Structuring tank.ipt			POS 1.2
DEVELOPED BY WORLD HEALTH ORGANIZATION	REDESIGNED BY  OHO e.V.	DOC. TYPE Part	MATERIAL Reinforced concrete	QUANTITY 1
		LICENCE CC-BY-SA 4.0	SCALE 1:60	SHEET 8 /17




Truckson mesh
50*50mm

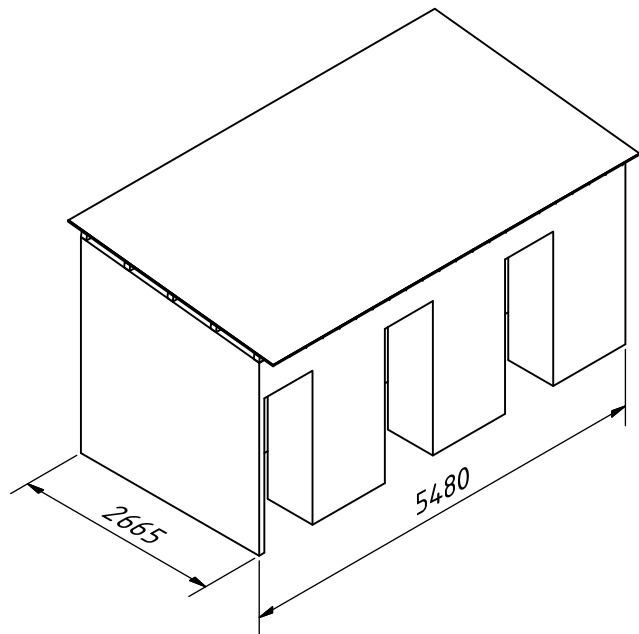
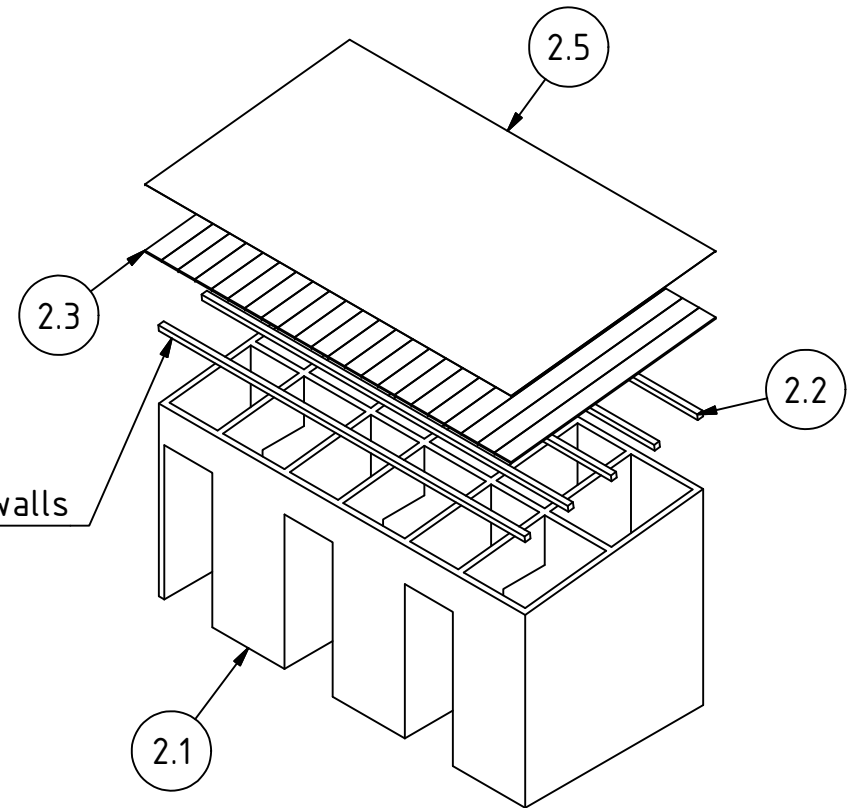
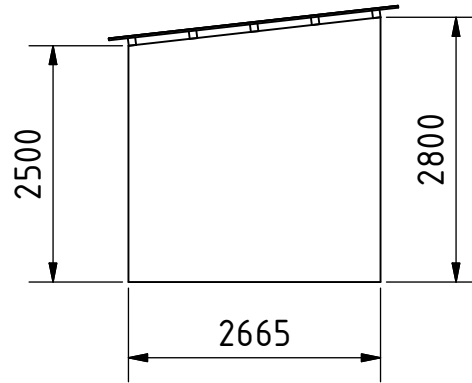
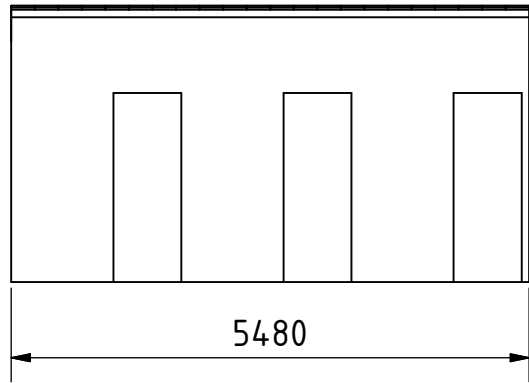
Note: All units in mm.

PROJECT Pit for Waste Disposal in rural areas		CREATED BY J. Zeron		APPROVED BY A. Morillo		DATE 25/08/2021	VERSION 1.0	
PART NAME Slab		FILE NAME Slab.ipt					POS 1.3	
DEVELOPED BY WORLD HEALTH ORGANIZATION		REDESIGNED BY  OHO e.V.		DOC. TYPE Part	MATERIAL Reinforced concrete		QUANTITY 1	
				LICENCE CC-BY-SA 4.0		SCALE 1:60	SHEET 9 / 17	




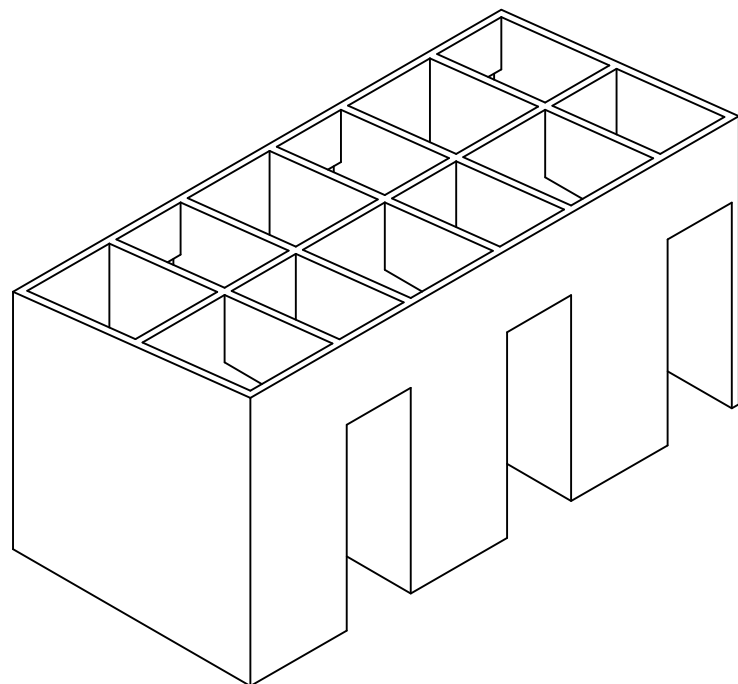
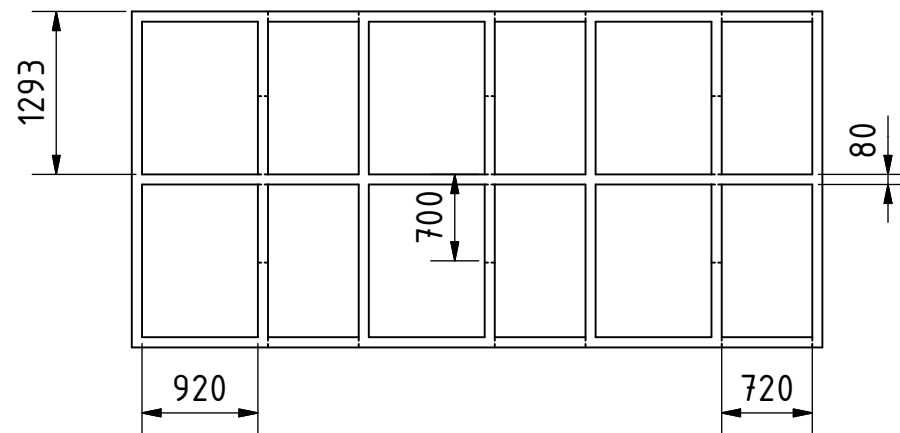
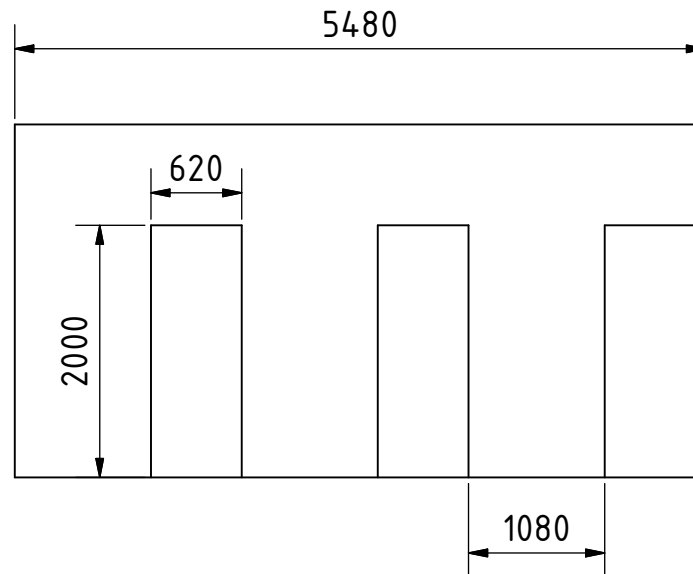
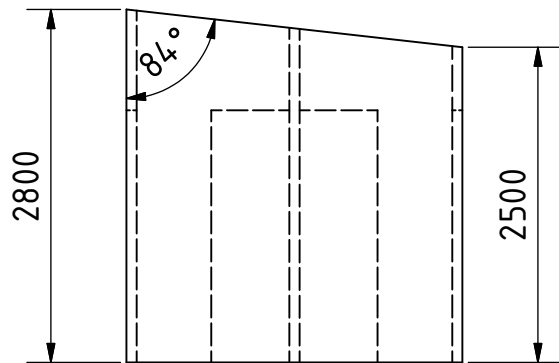
Note: All units in mm.

PROJECT Pit for Waste Disposal in rural areas		CREATED BY J. Zeron	APPROVED BY A. Morillo	DATE 25/08/2021	VERSION 1.0
PART NAME Sanitary slab		FILE NAME Sanitary slab.ipt			POS 1.4
DEVELOPED BY WORLD HEALTH ORGANIZATION		REDESIGNED BY  OHO e.V.		DOC. TYPE Part	MATERIAL Reinforced concrete
		LICENCE CC-BY-SA 4.0		SCALE 1:10	QUANTITY 6
					SHEET 10 /17




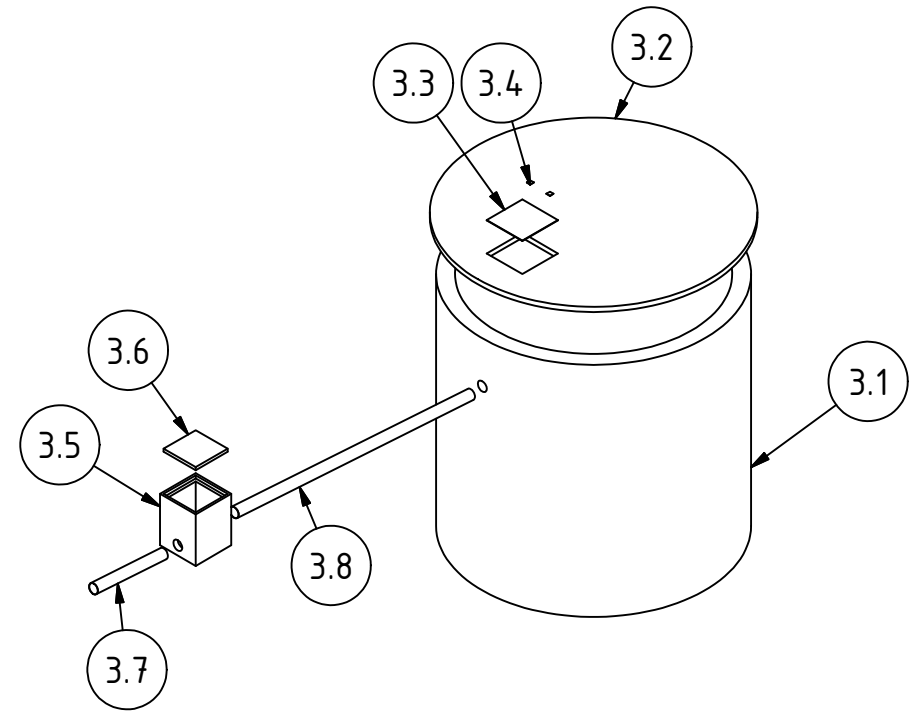
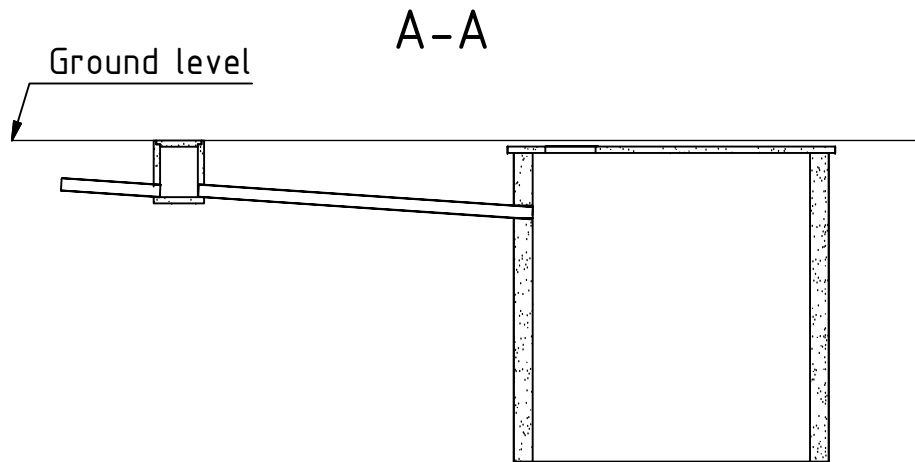
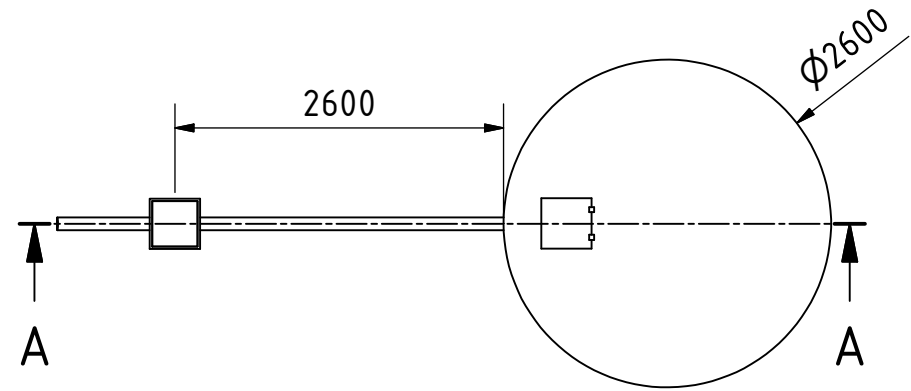
Note: All units in mm.

PROJECT Pit for Waste Disposal in rural areas		CREATED BY J. Zeron	APPROVED BY A. Morillo	DATE 25/08/2021	VERSION 1.0
PART NAME Structuring		FILE NAME Structuring.ipn			POS 2.0
DEVELOPED BY WORLD HEALTH ORGANIZATION		REDESIGNED BY  OHO e.V.	DOC. TYPE Assembly	MATERIAL	QUANTITY
			LICENCE CC-BY-SA 4.0	SCALE 1:60	SHEET 11 /17




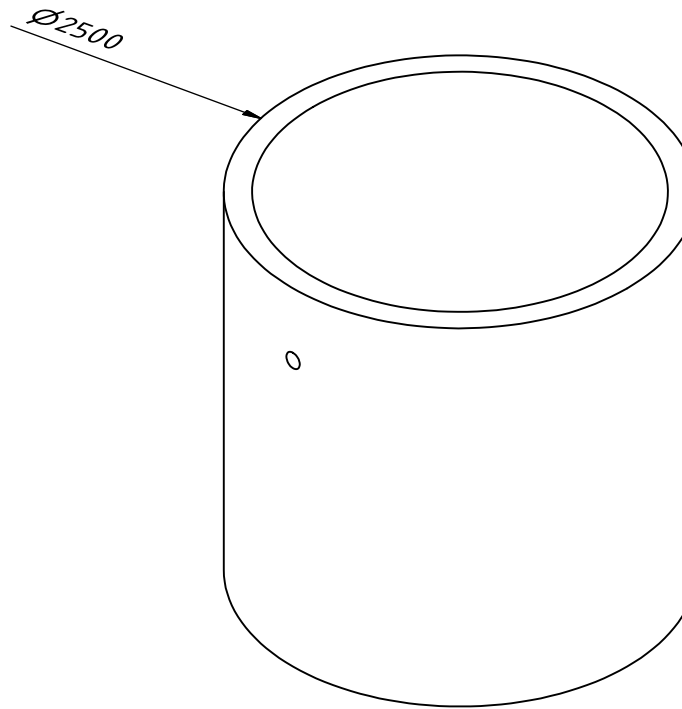
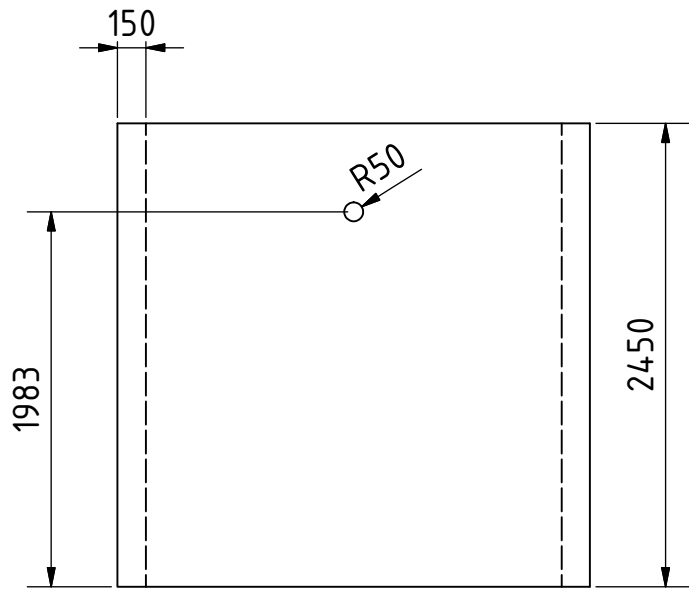
Note: All units in mm.

PROJECT Pit for Waste Disposal in rural areas		CREATED BY J. Zeron		APPROVED BY A. Morillo		DATE 25/08/2021	VERSION 1.0	
PART NAME Walls		FILE NAME Walls.ipt					POS 2.1	
DEVELOPED BY WORLD HEALTH ORGANIZATION		REDESIGNED BY OHO e.V.		DOC. TYPE Part	MATERIAL Made of bricks		QUANTITY 1	
				LICENCE CC-BY-SA 4.0		SCALE 1:60	SHEET 12 /17	




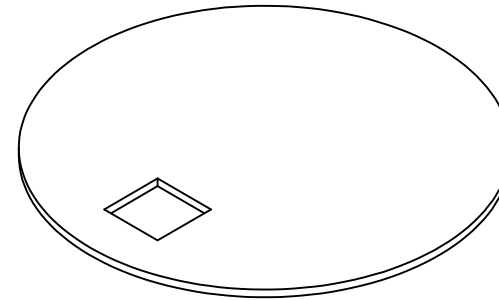
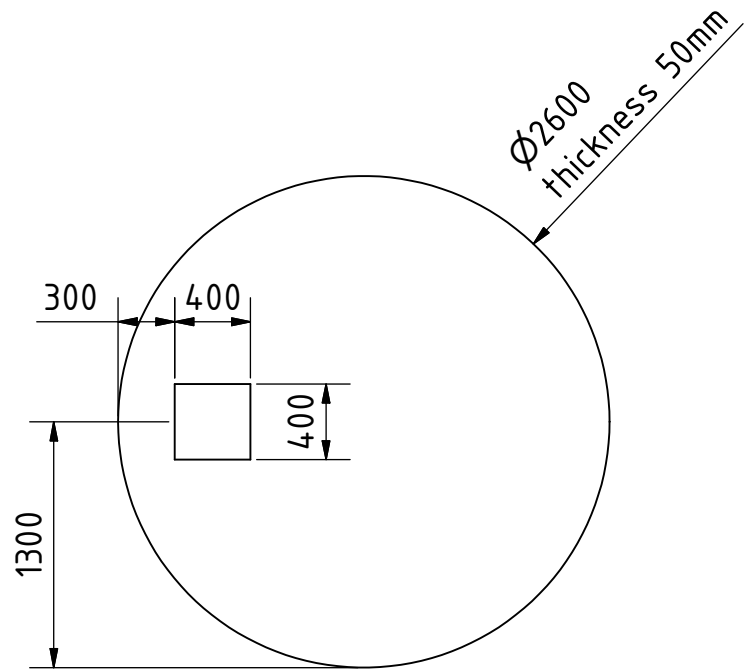
Note: All units in mm.

PROJECT Pit for Waste Disposal in rural areas		CREATED BY J. Zeron		APPROVED BY A. Morillo		DATE 25/08/2021		VERSION 1.0	
PART NAME Pit		FILE NAME Pit.ipn						POS 3.0	
DEVELOPED BY WORLD HEALTH ORGANIZATION		REDESIGNED BY OHO e.V.		DOC. TYPE Assembly		MATERIAL		QUANTITY	
				LICENCE CC-BY-SA 4.0		SCALE 1:40		SHEET 13 /17	

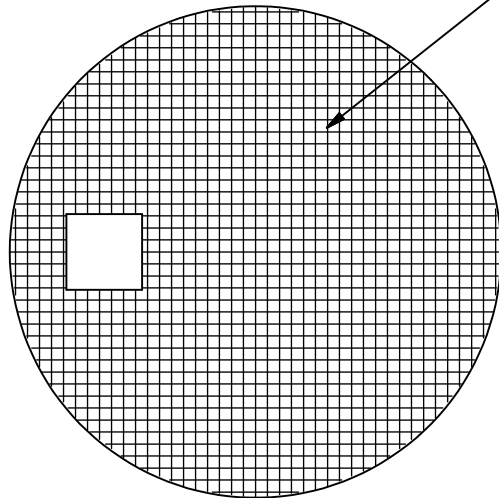


Note: All units in mm.


PROJECT Pit for Waste Disposal in rural areas		CREATED BY J. Zeron	APPROVED BY A. Morillo	DATE 25/08/2021	VERSION 1.0
PART NAME Wall pit		FILE NAME Wall pit.ipt			POS 3.1
DEVELOPED BY WORLD HEALTH ORGANIZATION	REDESIGNED BY  OHO e.V.	DOC. TYPE Part	MATERIAL Made of bricks	QUANTITY 1	
		LICENCE CC-BY-SA 4.0	SCALE 1:40	SHEET 14 /17	

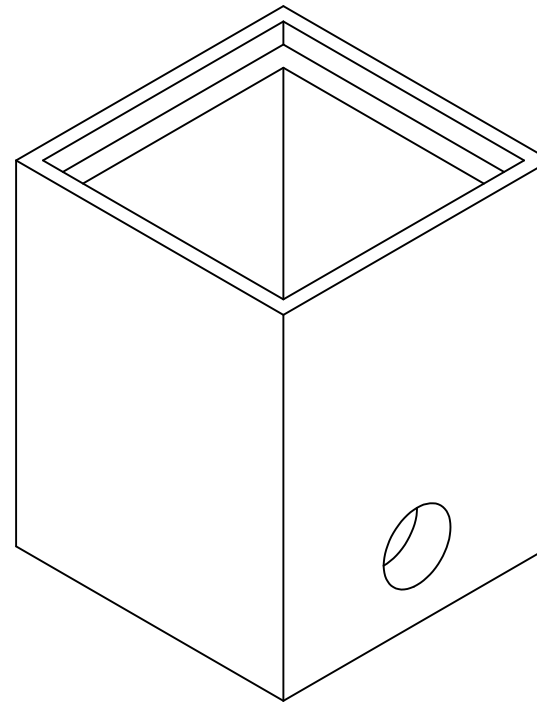
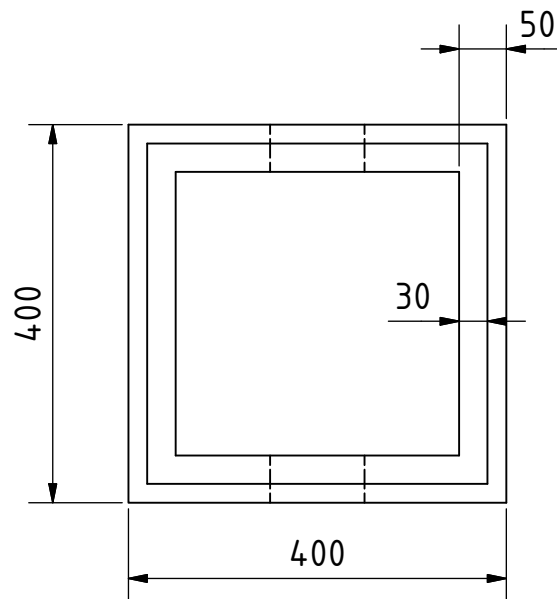
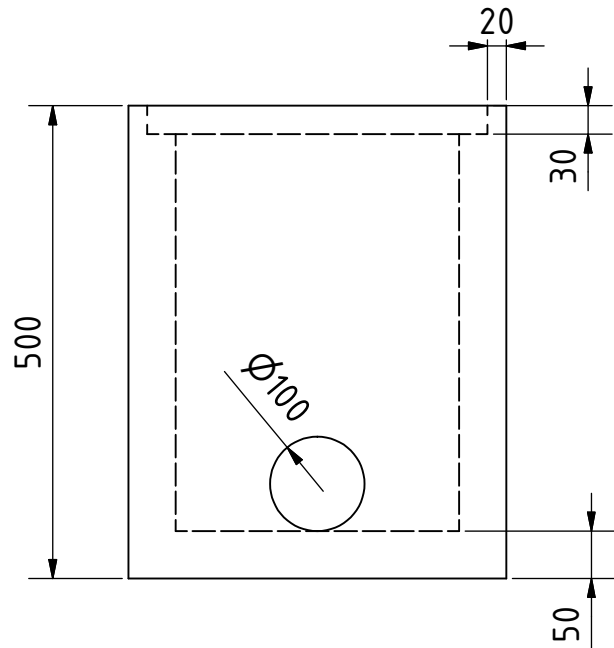


Truckson mesh
50*50mm




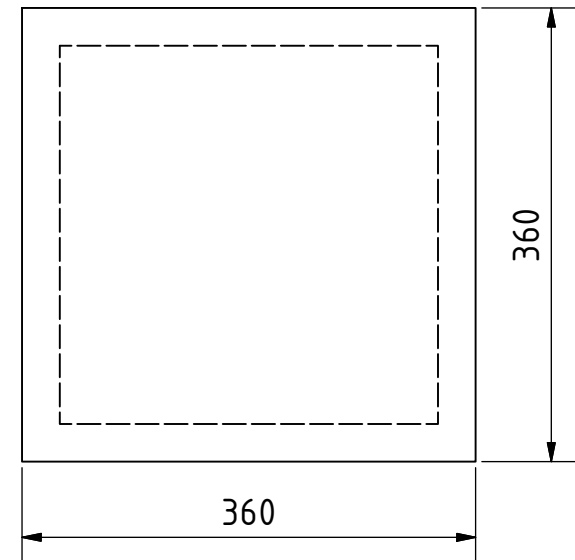
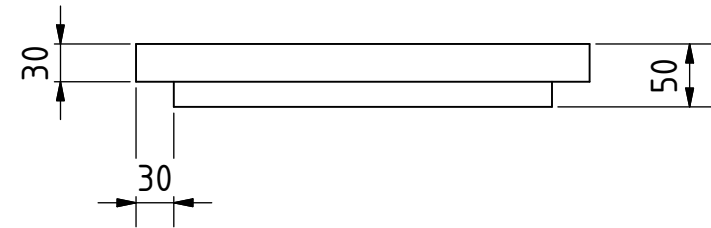
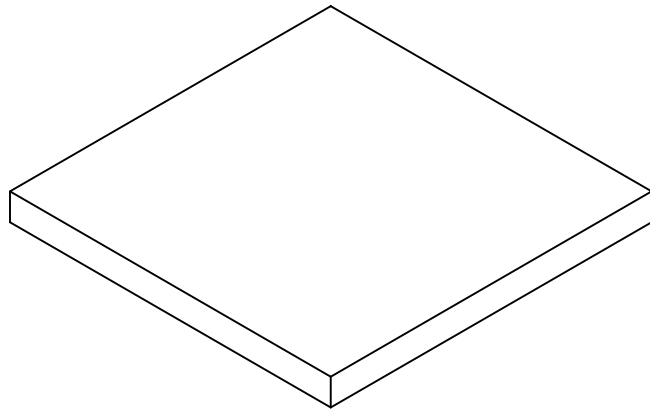
Note: All units in mm.

PROJECT Pit for Waste Disposal in rural areas		CREATED BY J. Zeron	APPROVED BY A. Morillo	DATE 25/08/2021	VERSION 1.0
PART NAME Slab pit		FILE NAME Slab pit.ipt			POS 3.2
DEVELOPED BY WORLD HEALTH ORGANIZATION	REDESIGNED BY  OHO e.V.	DOC. TYPE Part	MATERIAL Reinforced concrete	QUANTITY 1	
		LICENCE CC-BY-SA 4.0	SCALE 1:40	SHEET 15 /17	




Note: All units in mm.

PROJECT Pit for Waste Disposal in rural areas		CREATED BY J. Zeron	APPROVED BY A. Morillo	DATE 25/08/2021	VERSION 1.0
PART NAME Inspection box		FILE NAME Inspection box.ipt			POS 3.5
DEVELOPED BY WORLD HEALTH ORGANIZATION		REDESIGNED BY  OHO e.V.		DOC. TYPE Part	MATERIAL Reinforced concrete
		LICENCE CC-BY-SA 4.0		SCALE 1:8	QUANTITY 1
					SHEET 16 /17



Note: All units in mm.

PROJECT Pit for Waste Disposal in rural areas	CREATED BY J. Zeron	APPROVED BY A. Morillo	DATE 25/08/2021	VERSION 1.0
PART NAME Inspection box top	FILE NAME Inspection box top.ipt			POS 3.6
DEVELOPED BY WORLD HEALTH ORGANIZATION	REDESIGNED BY  OHO e.V.	DOC. TYPE Part	MATERIAL Reinforced concrete	QUANTITY 1
		LICENCE CC-BY-SA 4.0	SCALE 1:6	SHEET 17 /17