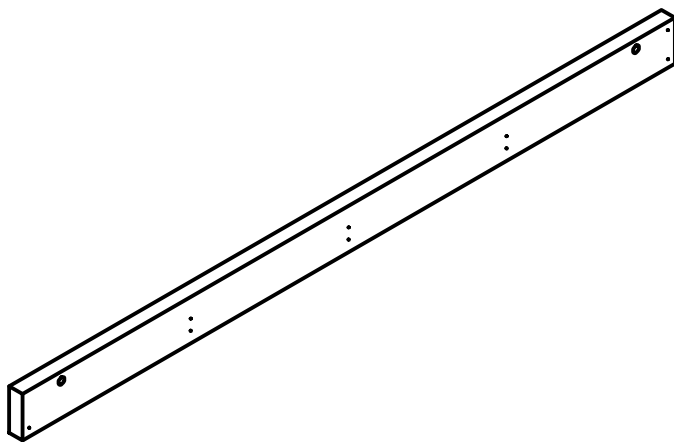



Hole
only strip left



PROJECT Solar Water Heater with corrugated metal collector	CREATED BY D. MOSQUERA	APPROVED BY A. MORILLO	DATE 16-06-21	VERSION 1.0
PART NAME Wood long	FILE NAME eg_swh_wood-2440.ipt			POS 1.3
DEVELOPED BY ECOTOPE GROUP	REDESIGNED BY OSEG  OPEN SOURCE ECOLOGY GERMANY	DOC. TYPE PART LICENCE CC-BY-SA 4.0	MATERIAL Wood SCALE 1:5	QUANTITY 2 SHEET 11 /31