
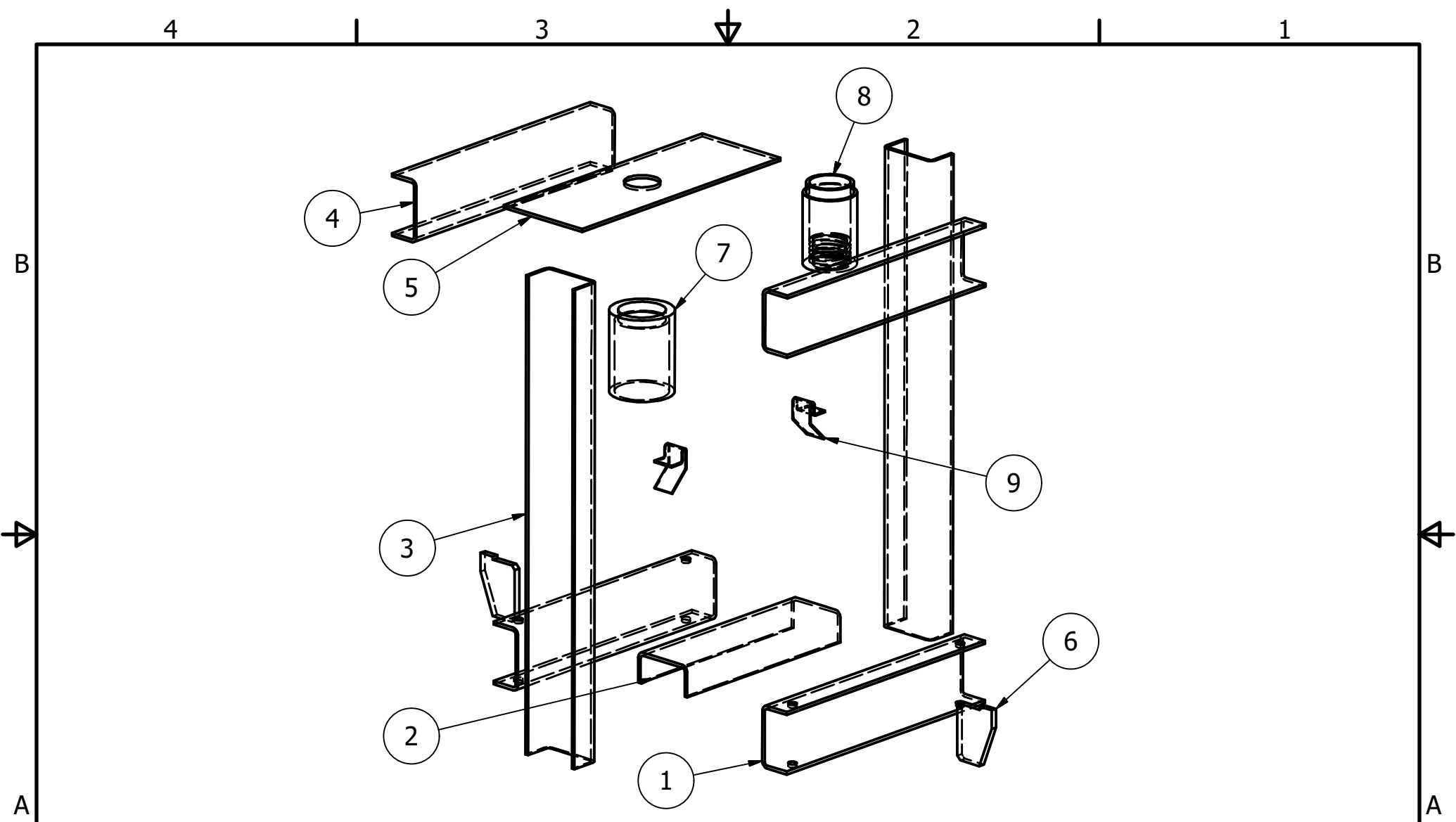

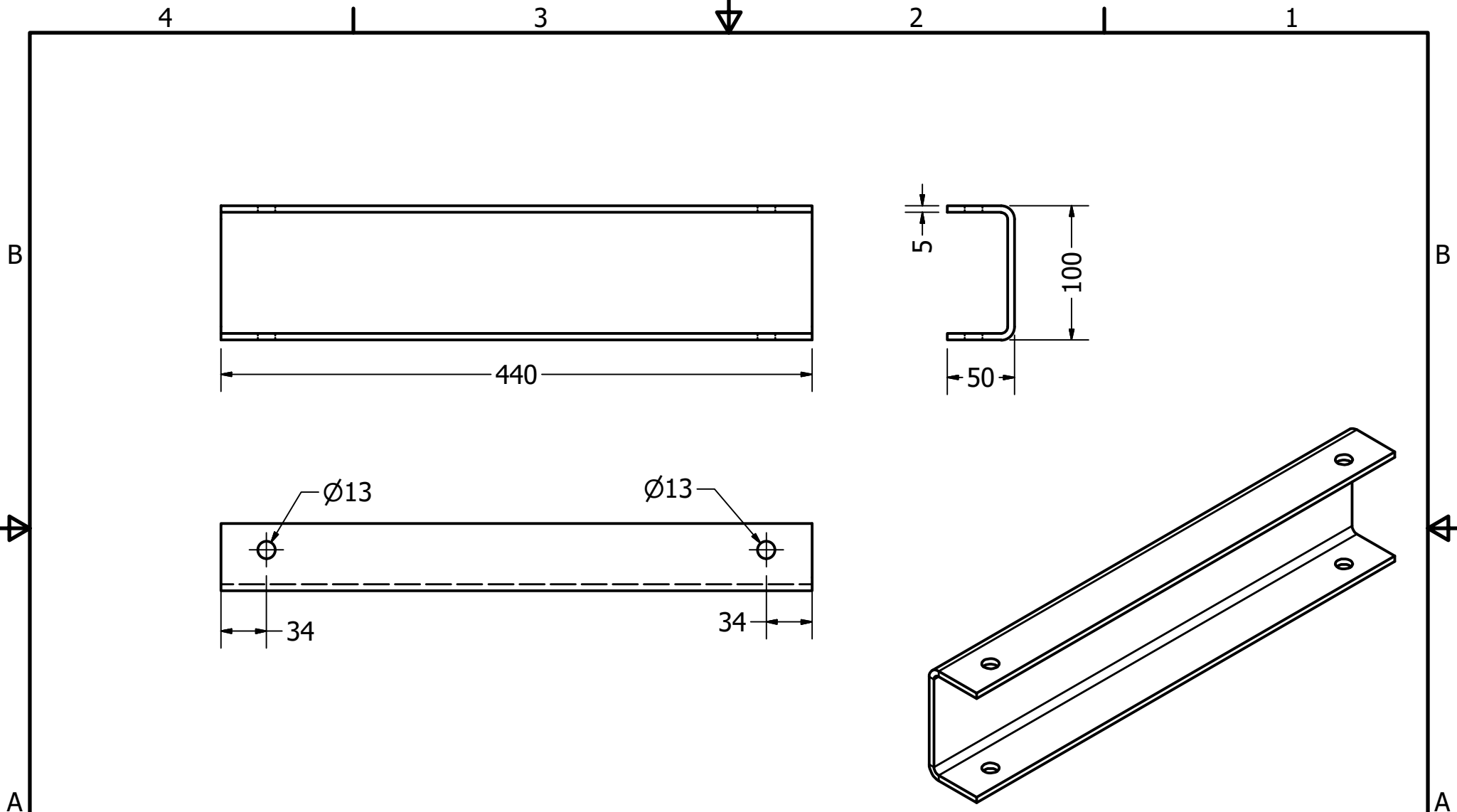



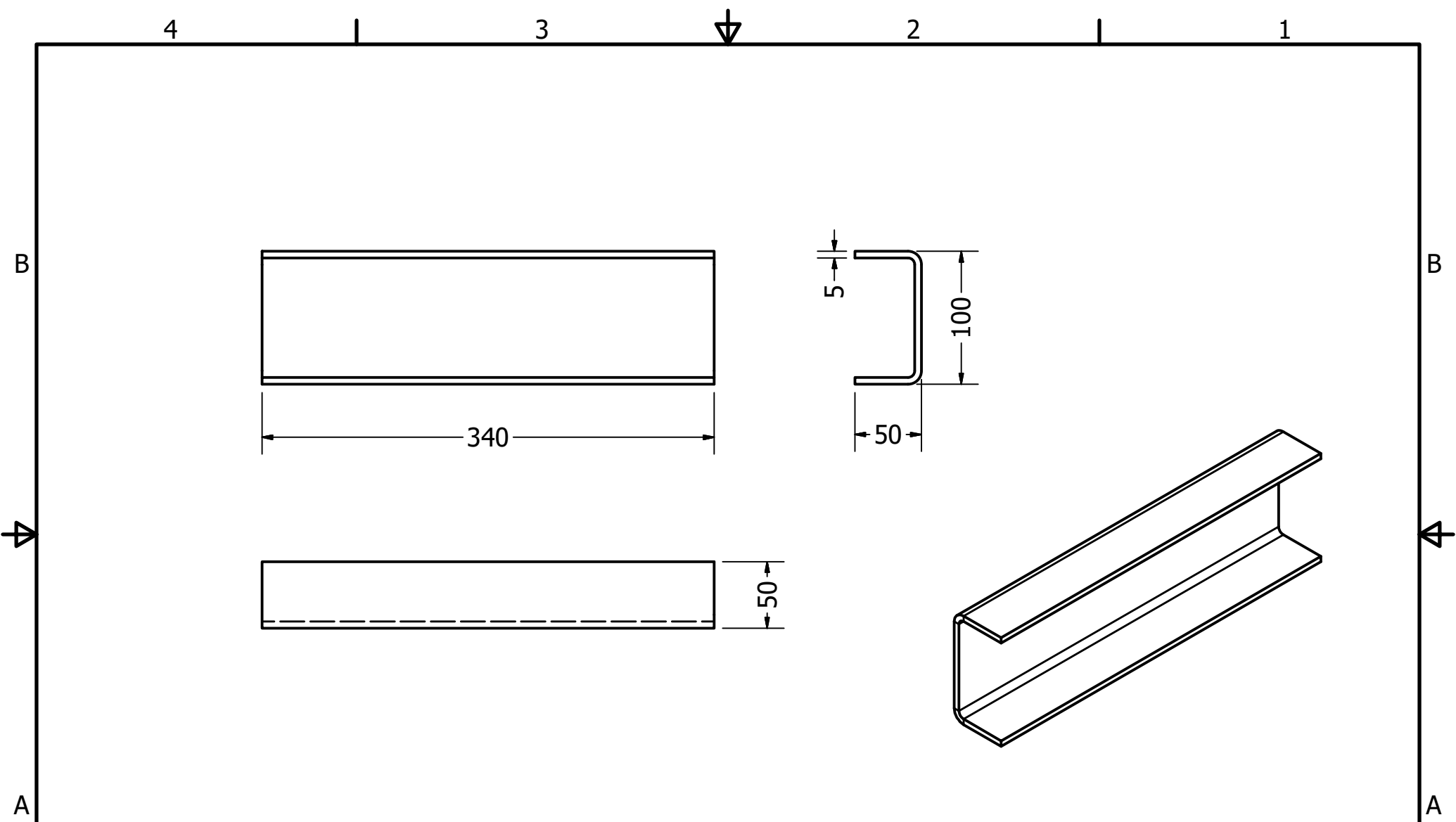
Project SCREW PRESS		Created by D. Mosquera		Approved by D. Jaeger	
Part Name Main Frame		Part Code 1.0		Document Type ASSEMBLY	
 Open Source Ecology e.V. Knobelsdorffstr. 22 14059 Berlin www.ose-germany.de +49 (0) 30 / 92282426	License		File Name oseg_sp_1_main-frame.iam		Version 1.0
			Scale		Sheet 3/30




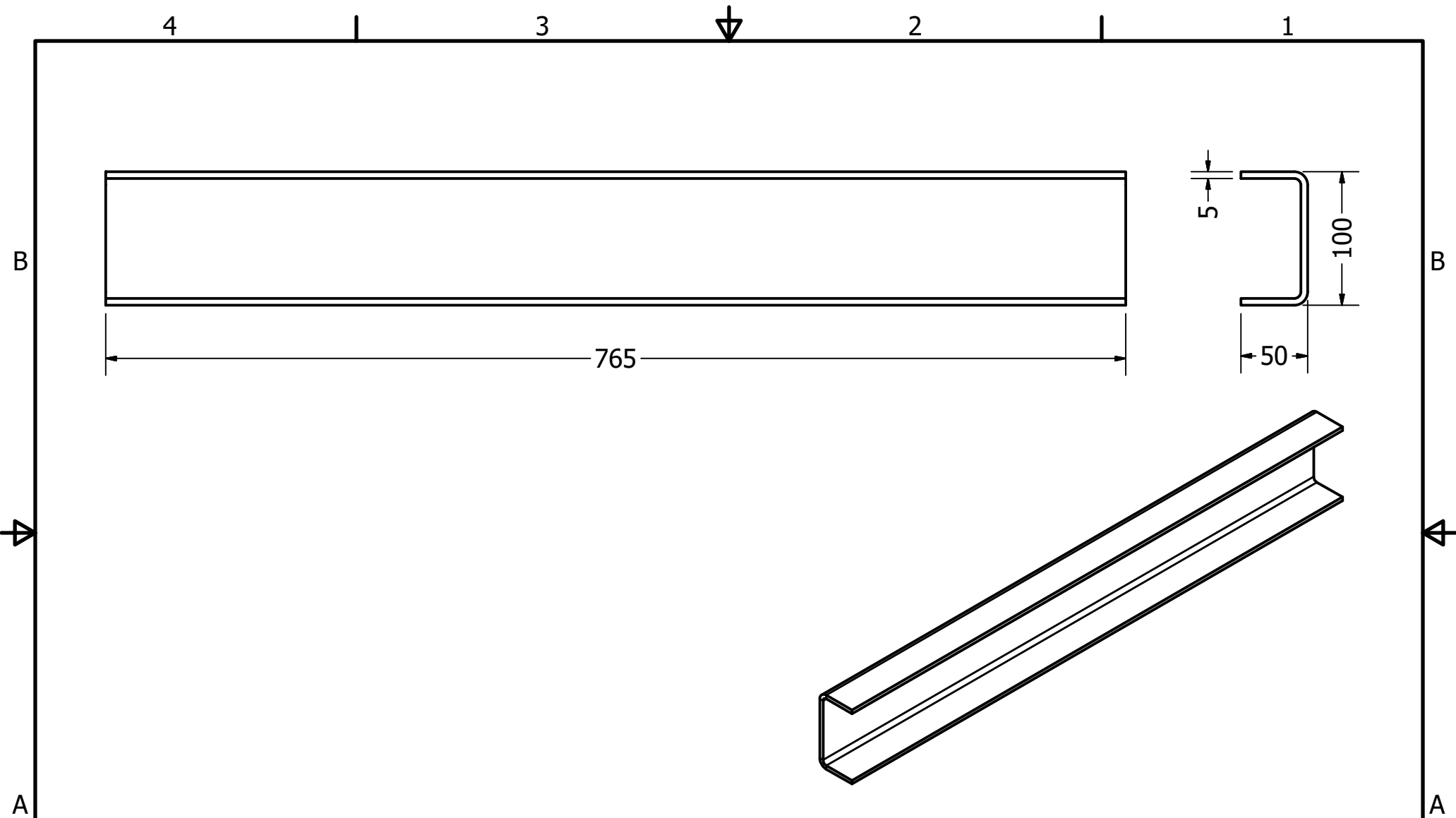
Project SCREW PRESS		Created by D. Mosquera	Approved by D. Jaeger		
Part Name MAIN FRAME		Part Code	Document Type ASSEMBLY	Material	
 OPEN SOURCE ECOLOGY GERMANY	Open Source Ecology e.V Knobelsdorffstr. 22 14059 Berlin www.ose-germany.de +49 (0) 30 / 92282426	License	File Name oseg_sp_1_main-frame.iam	Version 1.0	Quantity
			Scale	Sheet 3/30	Date 14.10.20




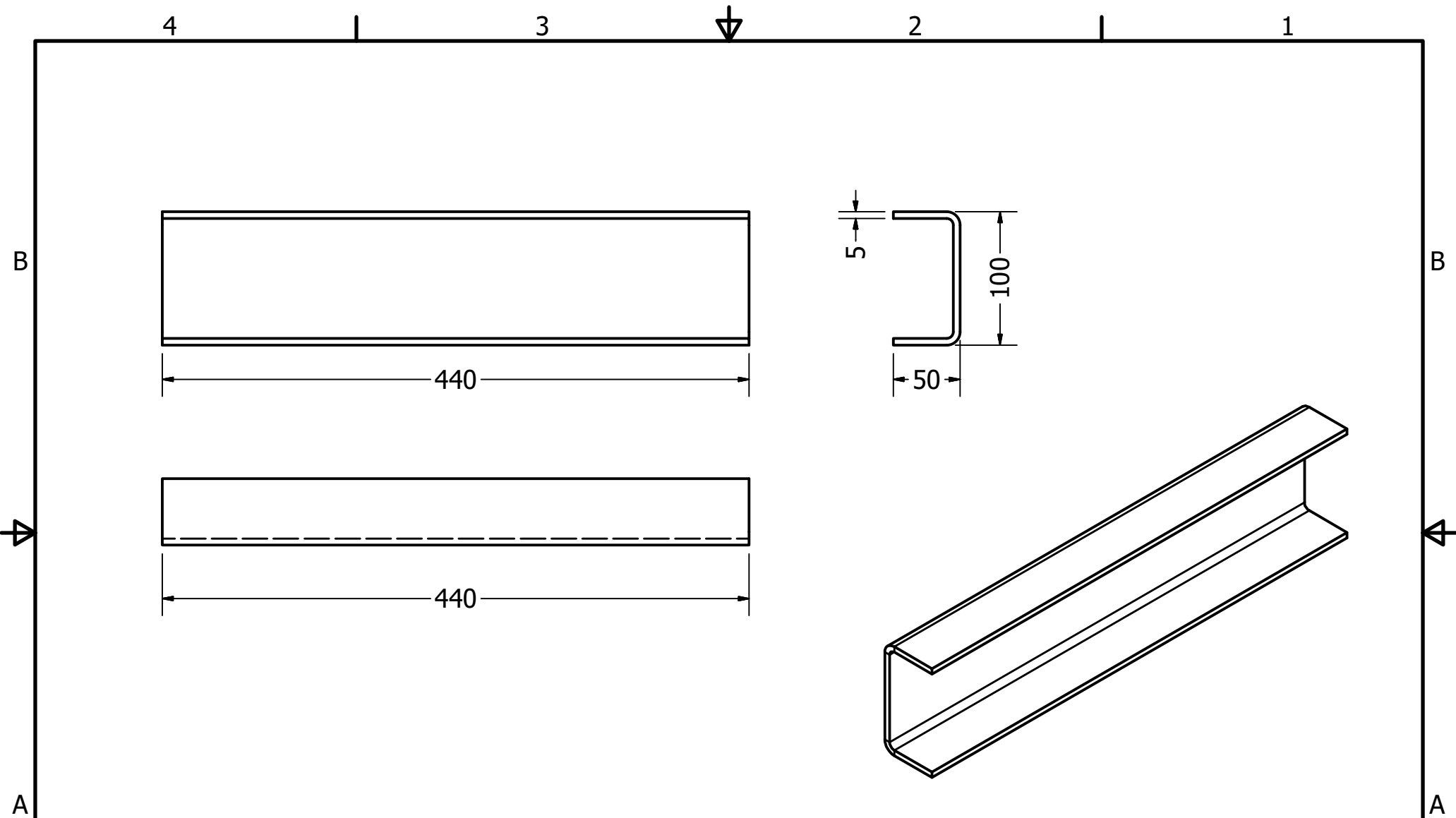
Project SCREW PRESS		Created by D. Mosquera	Approved by D. Jaeger		
Part Name Horizontal front base		Part Code 1.1	Document Type PART	Material Stainless Steel	
 Open Source Ecology e.V. Knobelsdorffstr. 22 14059 Berlin www.ose-germany.de +49 (0) 30 / 92282426	License	File Name oseg_sp_1.1_horizontal-front-base.ipt	Version 1.0	Quantity 2	
			Scale 1:4	Sheet 4/30	Date 14.10.20




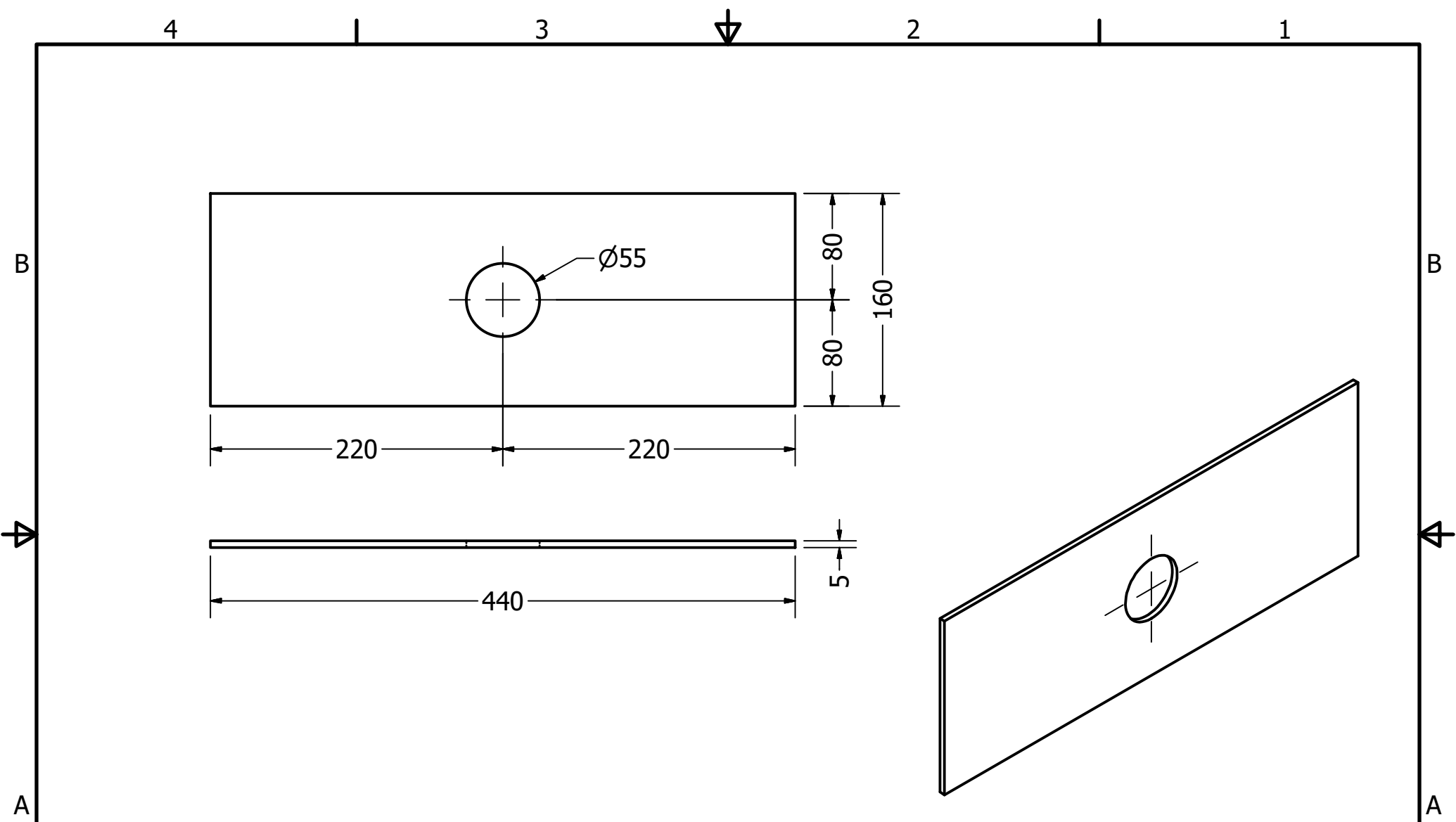
Project	SCREW PRESS	Created by D. Mosquera	Approved by D. Jaeger		
Part Name	Horizontal base	Part Code 1.2	Document Type Part	Material Stainless Steel	
 Open Source Ecology e.V Knobelsdorffstr. 22 14059 Berlin www.ose-germany.de +49 (0) 30 / 92282426	License	File Name oseg_sp_1.2_horizontal-base.ipt	Version 1.0	Quantity 1	
			Scale 1:4	Sheet 5/30	Date 14.10.20




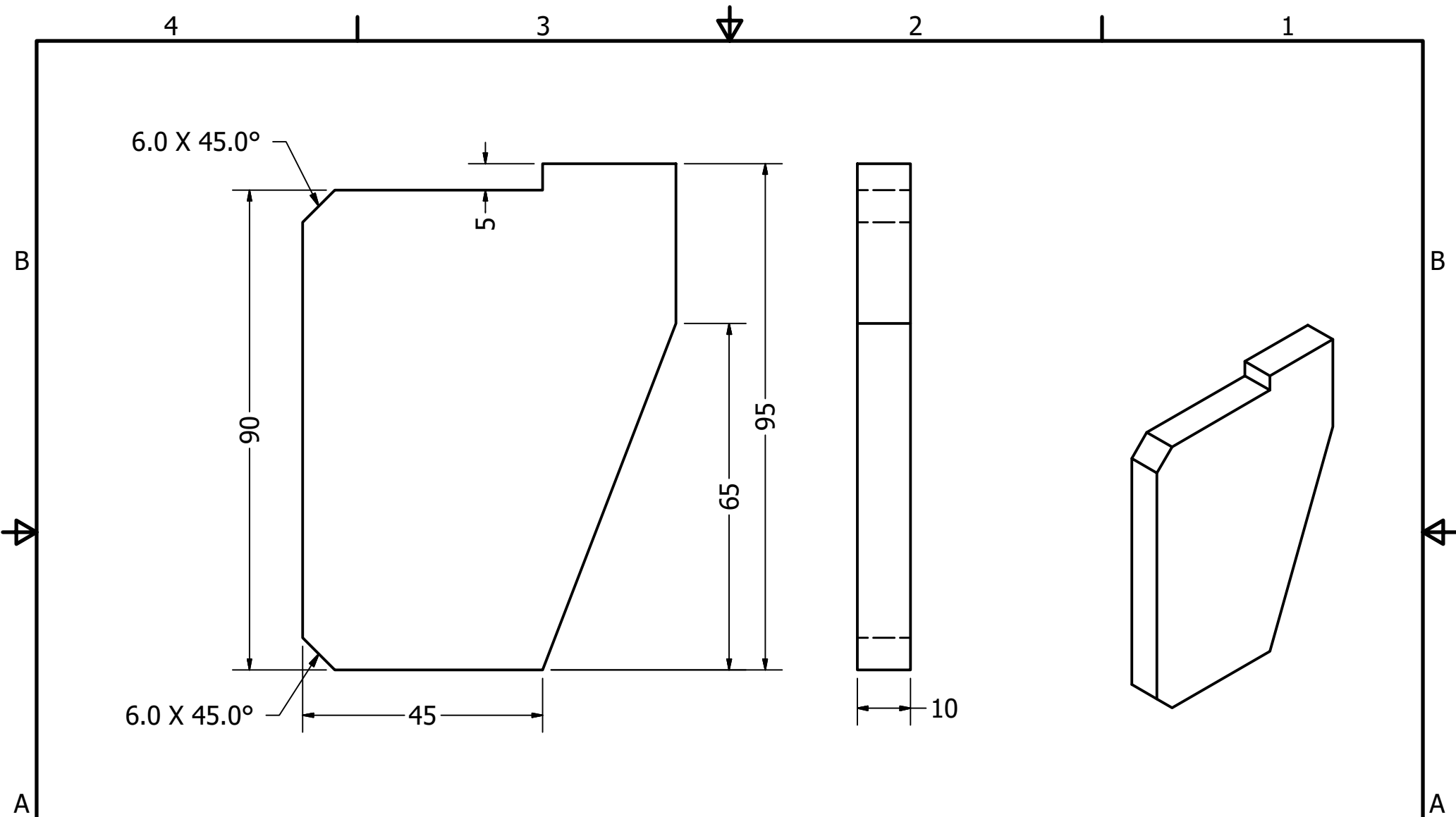
Project SCREW PRESS		Created by D. Mosquera	Approved by D. Jaeger		
Part Name Profile column		Part Code 1.3	Document Type Part		Material Stainless Steel
 Open Source Ecology e.V. Knobelsdorffstr. 22 14059 Berlin www.ose-germany.de +49 (0) 30 / 92282426	License		File Name oseg_sp_1.3_profile-column.ipt	Version 1.0	Quantity 2
				Scale 1:4	Sheet 6/30




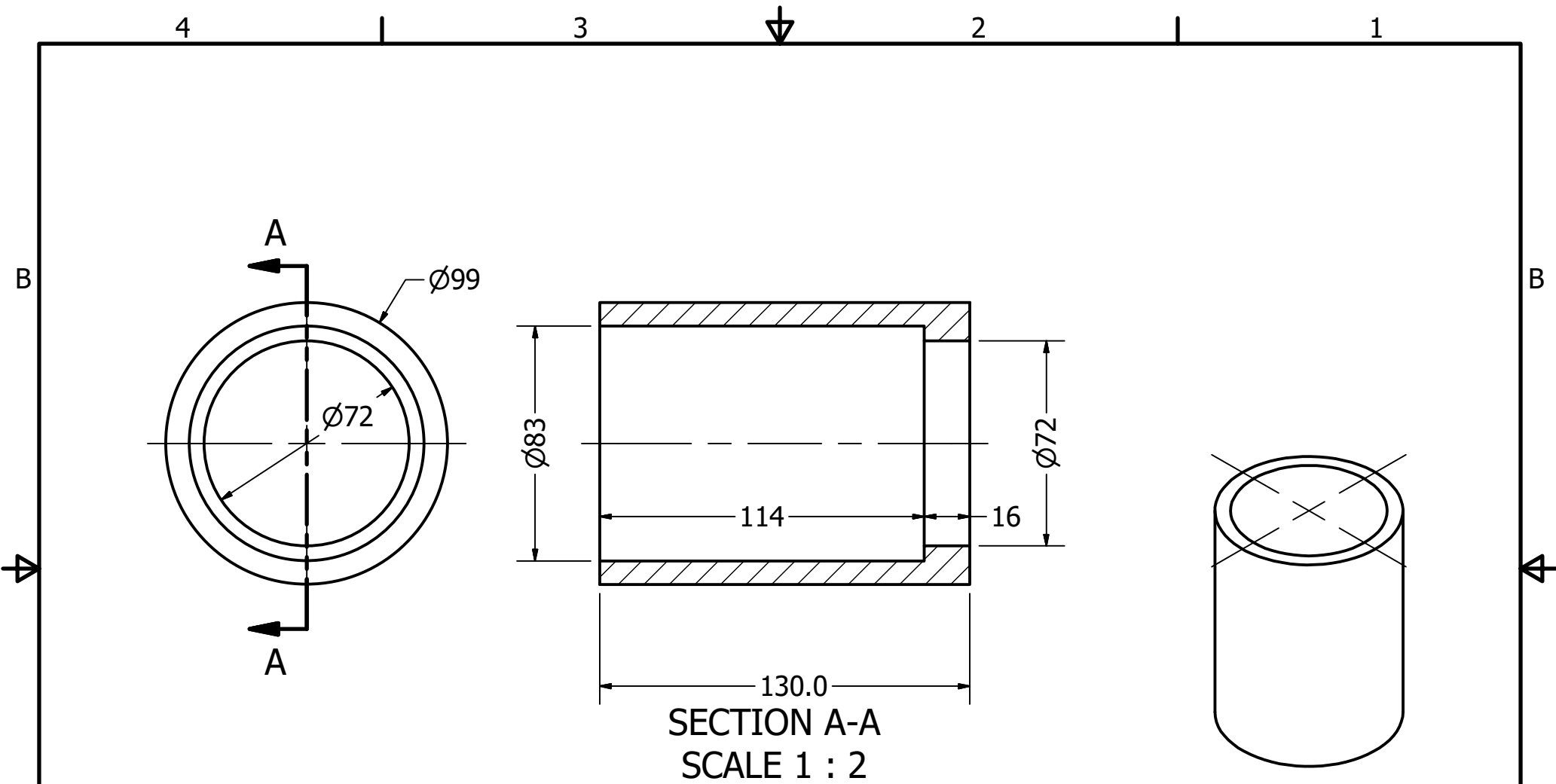
Project SCREW PRESS	Created by D. Mosquera	Approved by D. Jaeger		
Part Name Upper frame profile	Part Code 1.4	Document Type PART	Material Stainless Steel	
 Open Source Ecology e.V. Knobelsdorffstr. 22 14059 Berlin www.ose-germany.de +49 (0) 30 / 92282426	License	File Name oseg_sp_1.4_upper-frame-profile.ipt	Version 1.0	Quantity 2
			Scale 1:4	Sheet 7/30




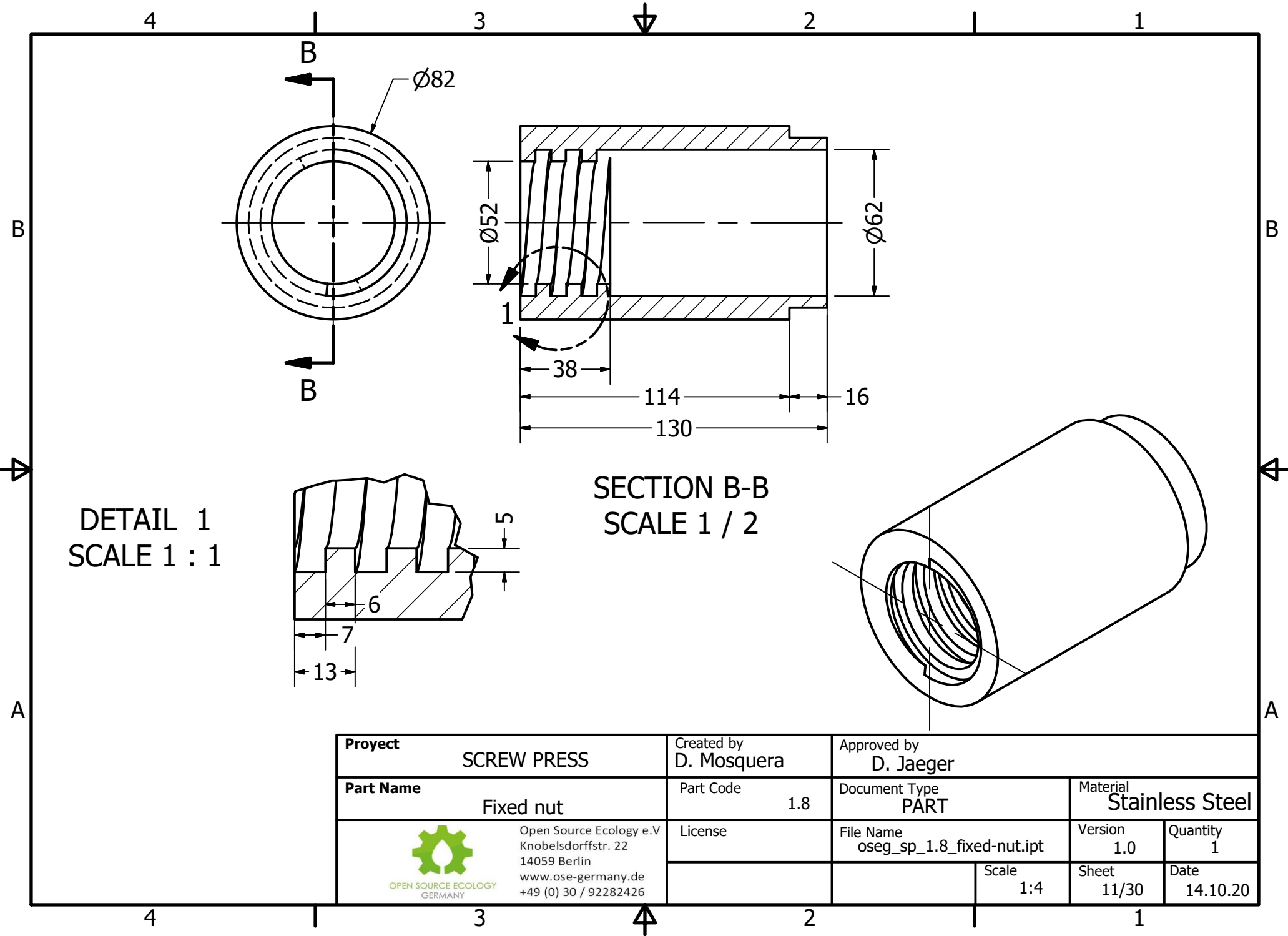
Project	SCREW PRESS	Created by	D. Mosquera			Approved by	D. Jaeger		
Part Name	Upper sheet	Part Code	1.5		Document Type	PART		Material	Generic
 Open Source Ecology e.V. Knobelsdorffstr. 22 14059 Berlin www.ose-germany.de +49 (0) 30 / 92282426	License	File Name			Version	Quantity			
		oseg_sp_1.5_upper-sheet.ipt			1.0	1			
		Scale	1:4		Sheet	Date			
					8/30	14.10.20			



Proyect SCREW PRESS		Created by D. Mosquera	Approved by D. Jaeger		
Part Name Base Reinforcement		Part Code 1.6	Document Type PART		Material Stainless Steel
 <p>Open Source Ecology e.V Knobelsdorffstr. 22 14059 Berlin www.ose-germany.de +49 (0) 30 / 92282426</p>	License	File Name Refuerz.ipt		Version 1.0	Quantity 2
			Scale 1:4	Sheet 9/30	Date 14.10.20




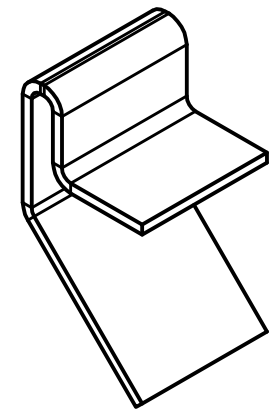
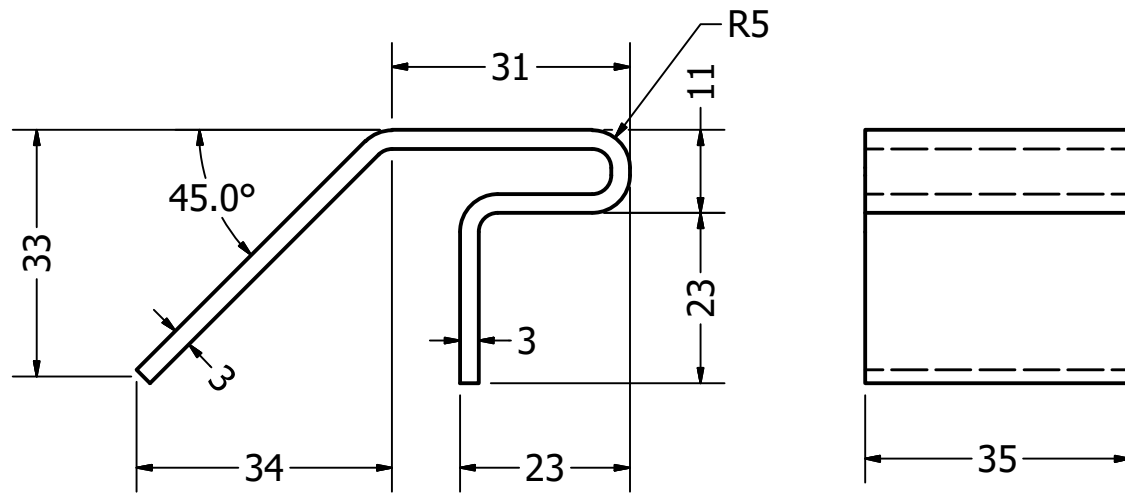
Project SCREW PRESS		Created by D. Mosquera	Approved by D. Jaeger		
Part Name Socalo nut		Part Code 1.7	Document Type PRODUCTION	Material Stainless Steel	
 Open Source Ecology e.V Knobelsdorffstr. 22 14059 Berlin www.ose-germany.de +49 (0) 30 / 92282426	License	File Name oseg_sp_1.7_socalo-nut.ipt	Version 1.0	Quantity 1	
			Scale 1:4	Sheet 10/30	Date 14.10.20



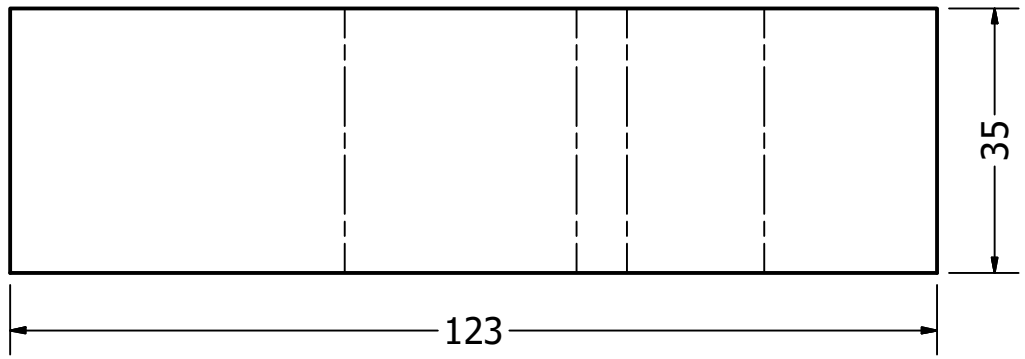
DETAIL 1
SCALE 1 : 1


SECTION B-B
SCALE 1 / 2

Project SCREW PRESS		Created by D. Mosquera		Approved by D. Jaeger	
Part Name Fixed nut		Part Code 1.8	Document Type PART		Material Stainless Steel
 OPEN SOURCE ECOLOGY GERMANY	Open Source Ecology e.V Knobelsdorffstr. 22 14059 Berlin www.ose-germany.de +49 (0) 30 / 92282426	License	File Name oseg_sp_1.8_fixed-nut.ipt		Version 1.0
			Scale 1:4	Sheet 11/30	Quantity 1



Flat Patter



Project SCREW PRESS		Created by D. Mosquera		Approved by D. Jaeger	
Part Name Centering support		Part Code 1.9		Document Type PART	
 Open Source Ecology e.V. Knobelsdorffstr. 22 14059 Berlin www.ose-germany.de +49 (0) 30 / 92282426		License		File Name oseg_sp_1.9_centering-support.ipt	
				Scale 1:4	
				Version 1.0	
				Quantity 2	
				Sheet 12/30	
				Date 14.10.20	