
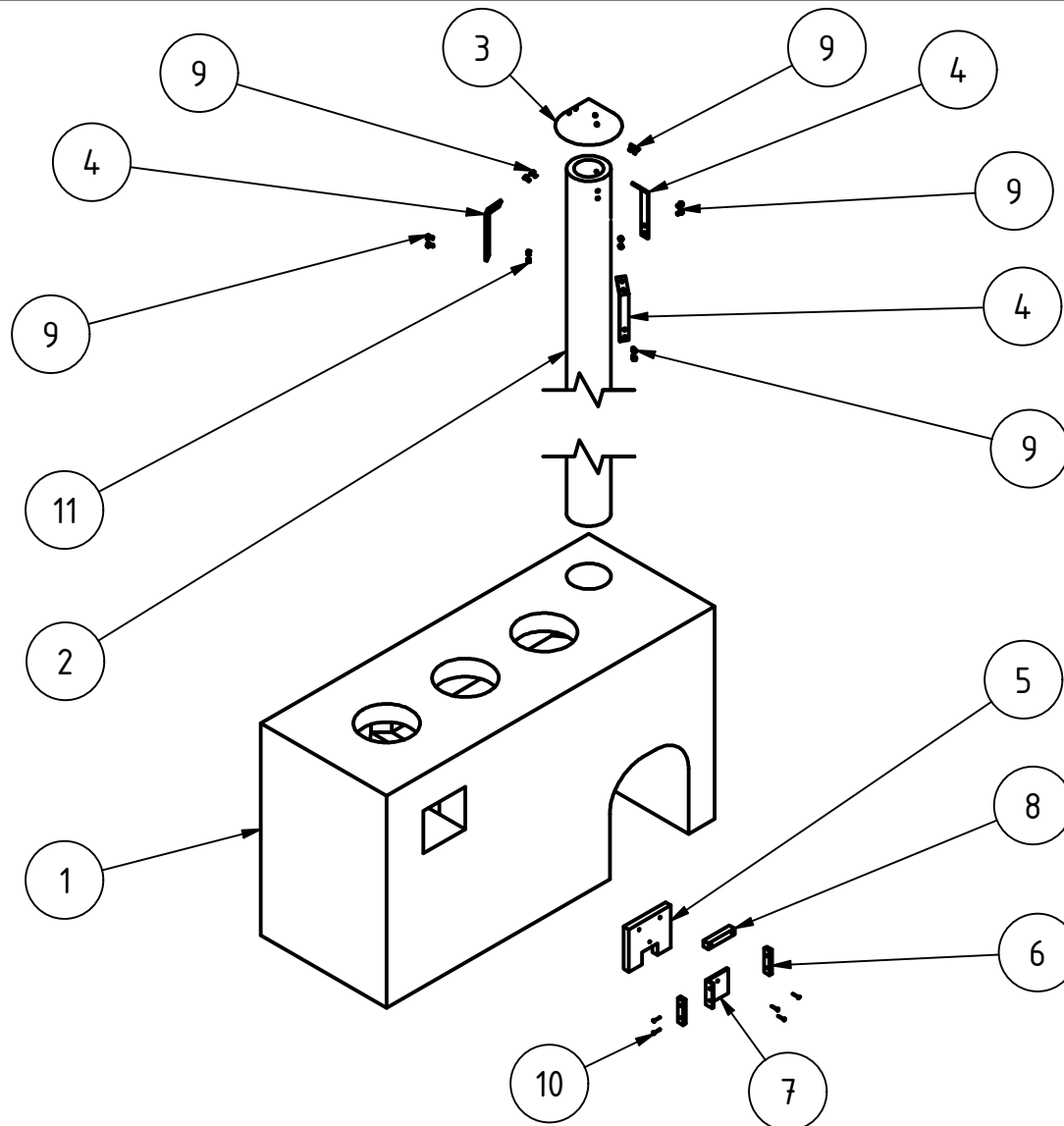


Note: All units in mm.

PROJECT	CREATED BY	APPROVED BY	DATE	VERSION
Wood Cookstove Singer	E. Ceballos	A. Morillo	15/07/2021	1.0
PART NAME	FILE NAME			POS
3d views	wood cookstove singer.iam			A1
DEVELOPED BY	REDESIGNED BY	DOC. TYPE	MATERIAL	QUANTITY
		Assembly		1
Vita	OHO e.V.	LICENCE	SCALE	SHEET
		CC-BY-SA 4.0	1:20	1 / 11

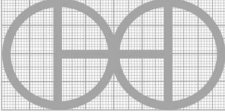


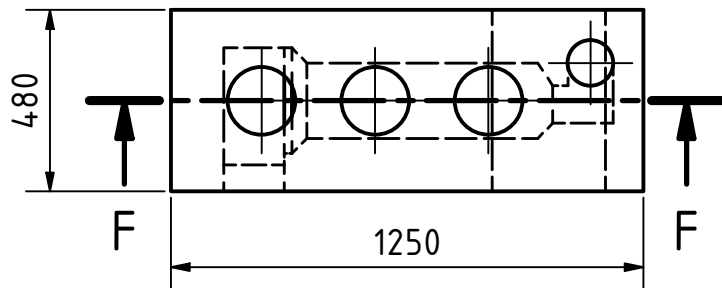
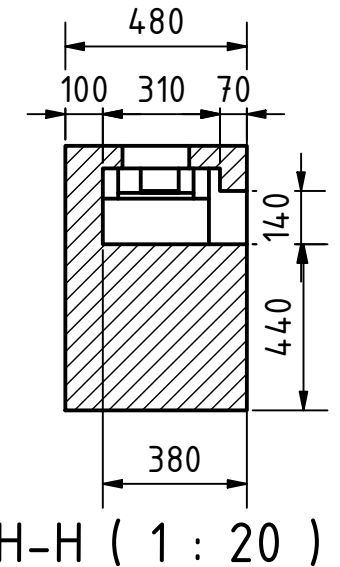
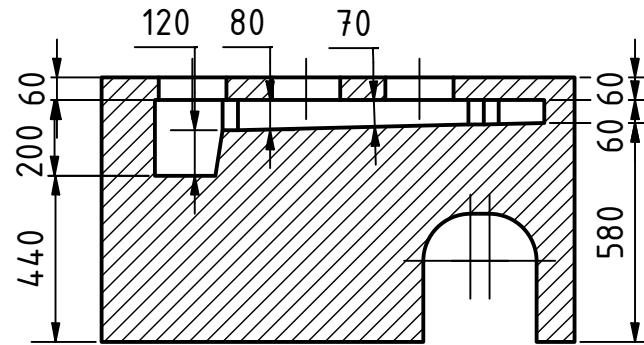
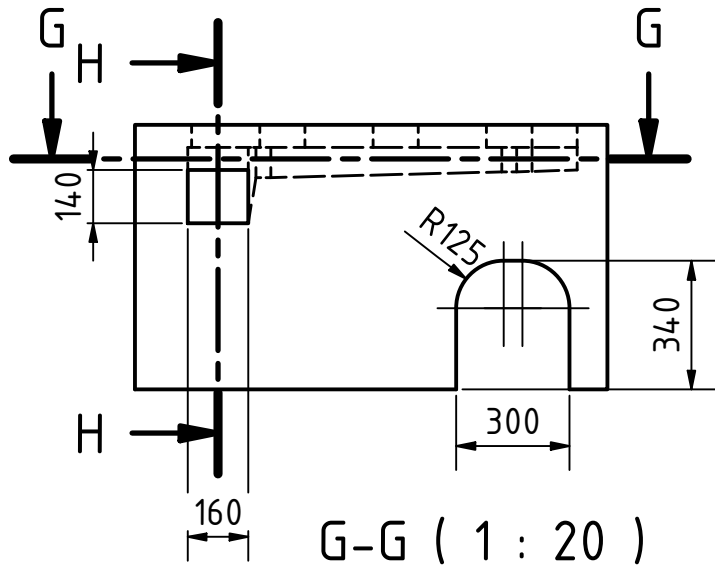
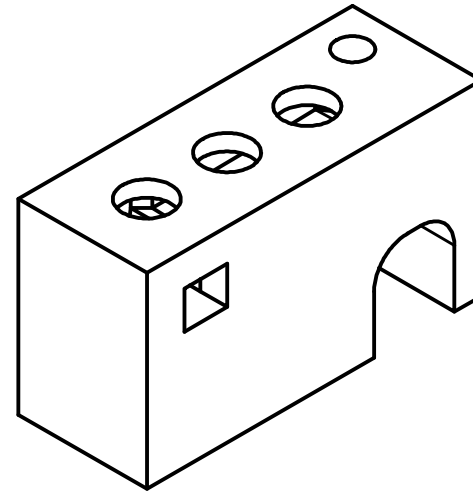
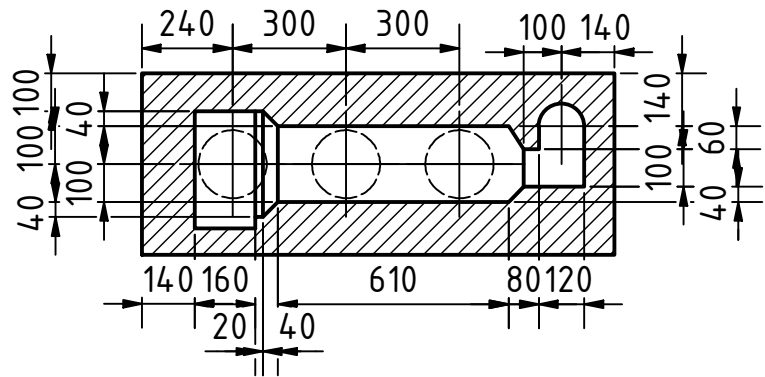
Note: All units in mm.

PROJECT	CREATED BY	APPROVED BY	DATE	VERSION
Wood Cookstove Singer	E. Ceballos	A. Morillo	15/07/2021	1.0
PART NAME	FILE NAME	POS		
Exploded 3d views	wood cookstove singer.ipn	A2		
DEVELOPED BY	REDESIGNED BY	DOC. TYPE	MATERIAL	QUANTITY
Vita	OHO e.V.	Assembly		1
		LICENCE	SCALE	SHEET
		CC-BY-SA 4.0	1:20	2 /11


Parts list

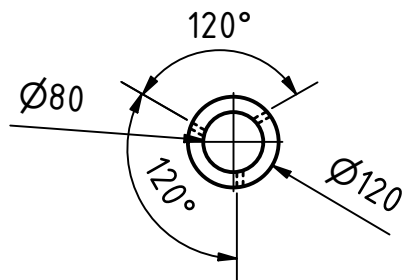
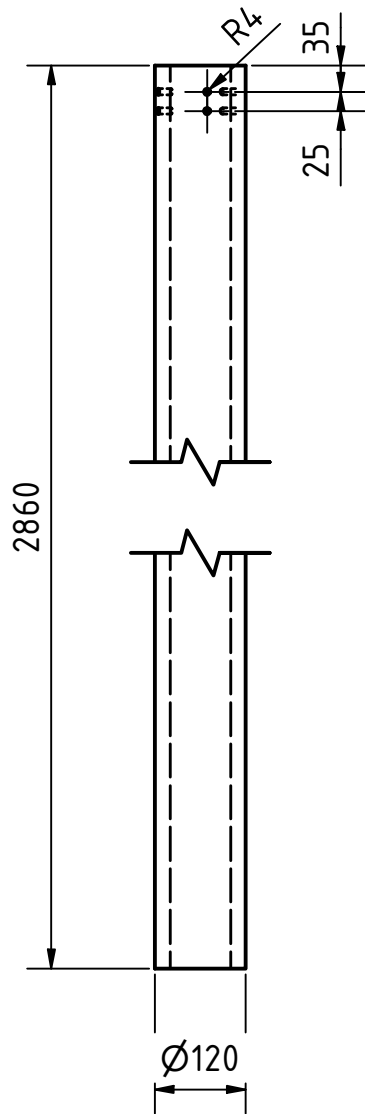
POS	QTY	PART NAME	FILE NAME	PART TYPE	SPECIFICATIONS	SHEET
A1	1	3d views	see saw dryer.iam			1
A2	1	Exploded 3d view	see saw dryer.ipn			2
B1		Parts list	part list.csv			3
1	1	Stove	stove.ipt	Production	Clay and sand	4
2	1	Chimney	chimney.ipt	Production	Hard-baked clay tile	5
3	1	Cap	cap.ipt	Production	Zinc, gauge 16	6
4	3	Support bracket	support bracket.ipt	Production	Steel A36	7
5	1	Firebox door	firebox door.ipt	Production	Clay and sand	8
6	2	Wood strips	wood strips.ipt	Production	Kiln dried wood	9
7	1	Metal door	metal door.ipt	Production	Steel, ASTM 1045 / DIN C45	10
8	1	Handel	handel.ipt	Production	Kiln dried wood	11
9	12	Screws M6		Standard	Screw M6 (AS 1112), steel ASTM A-307	
10	5	Nail 1"		Standard	Nail 1", steel, ASTM F-1667	
11	12	Nut M6		Standard	Nut ANSI B18.2.4.2M M6x1, ASTM A-307	

PROJECT		CREATED BY		APPROVED BY		DATE		VERSION	
Wood Cookstove Singer		E. Ceballos		A. Morillo		15/07/2021		1.0	
PART NAME			FILE NAME					POS	
Parts list			part list.csv					B1	
DEVELOPED BY			REDESIGNED BY		DOC. TYPE		MATERIAL		QUANTITY
Vita			 OHO e.V.		Parts list				
					LICENCE		SCALE		SHEET
					CC-BY-SA 4.0				3 /11




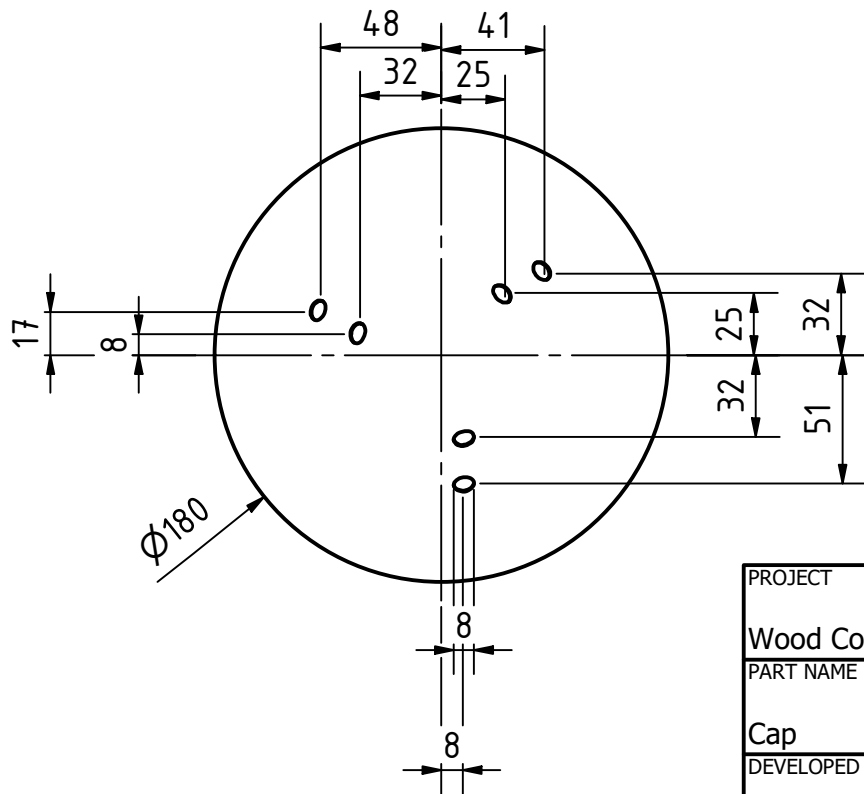
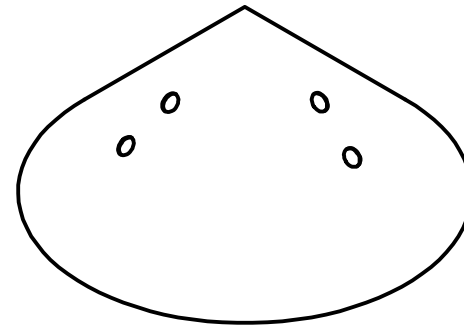
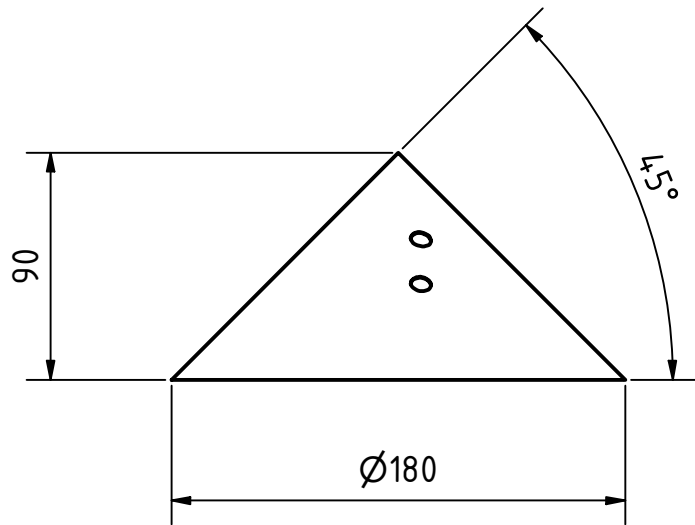
Note: All units in mm.

PROJECT	CREATED BY	APPROVED BY	DATE	VERSION
Wood Cookstove Singer	E. Ceballos	A. Morillo	15/07/2021	1.0
PART NAME	FILE NAME			POS
stove	stove.ipt			1.0
DEVELOPED BY	REDESIGNED BY	DOC. TYPE	MATERIAL	QUANTITY
		PART	clay and sand	1
Vita	OHO e.V.	LICENCE	SCALE	SHEET
		CC-BY-SA 4.0	1:20	4 /11




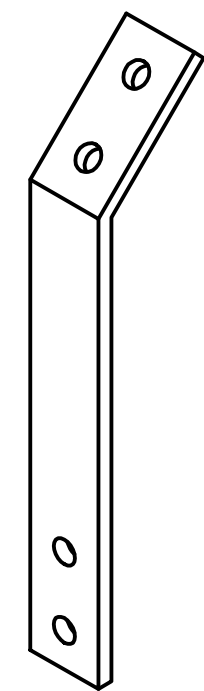
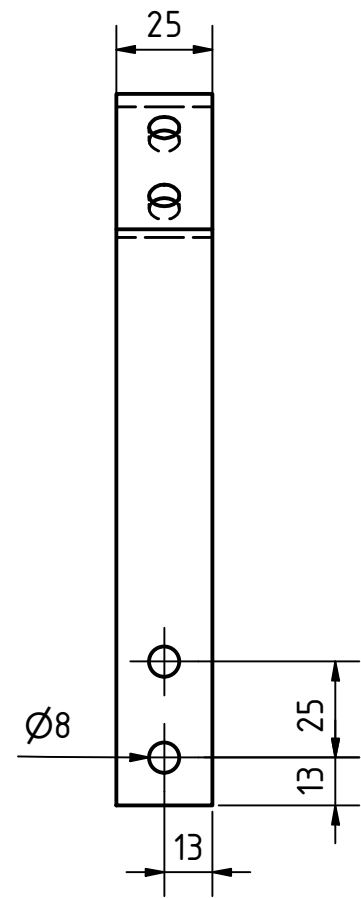
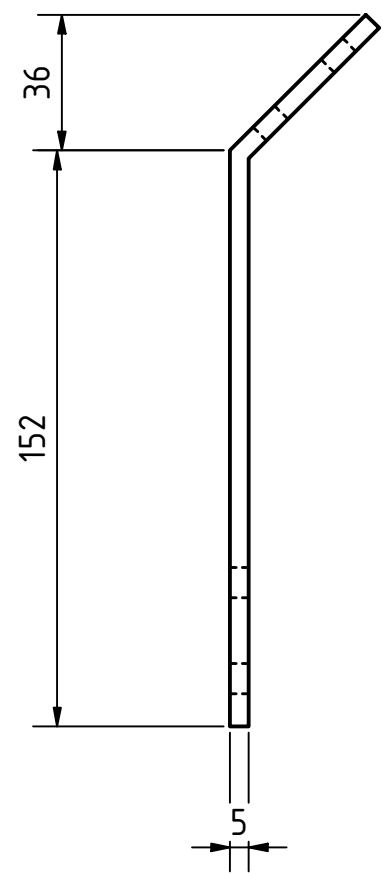
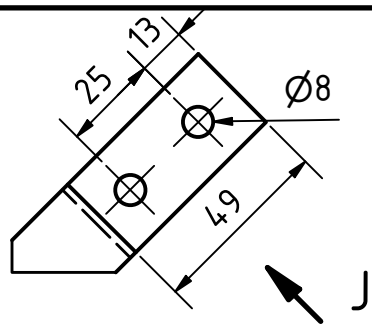
Note: All units in mm.

PROJECT	CREATED BY	APPROVED BY	DATE	VERSION
Wood Cookstove Singer	E. Ceballos	A. Morillo	15/07/2021	1.0
PART NAME	FILE NAME			POS
Chimney	chimney.ipt			2
DEVELOPED BY	REDESIGNED BY	DOC. TYPE	MATERIAL	QUANTITY
		PART	Hard-baked clay tile	1
		LICENCE	SCALE	SHEET
Vita	OHO e.V.	CC-BY-SA 4.0	1:10	5 /11

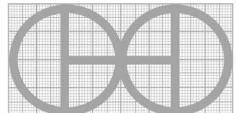


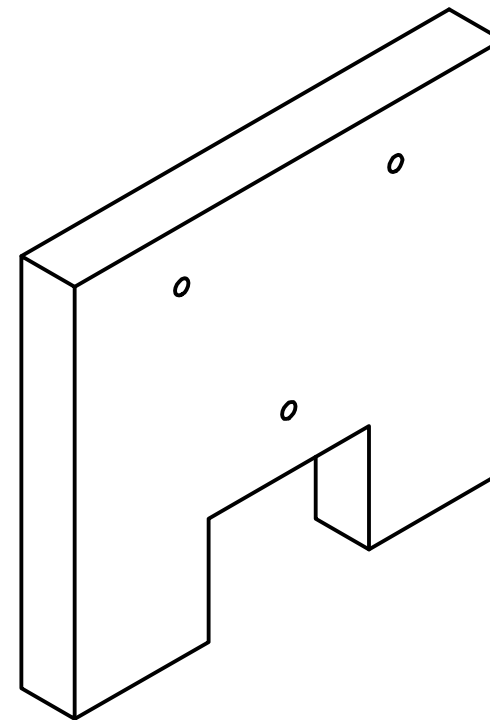
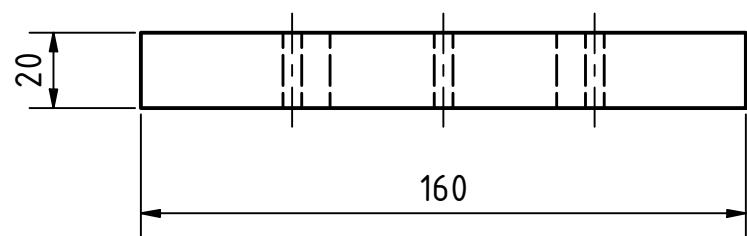
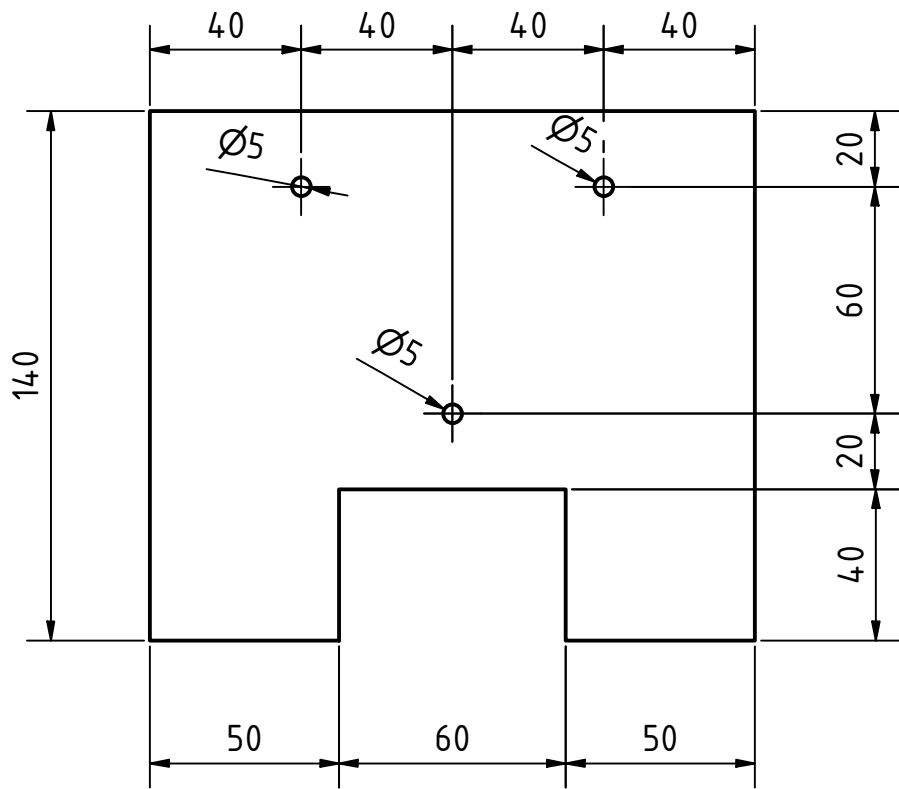
Note: all units in mm

PROJECT	CREATED BY	APPROVED BY	DATE	VERSION
Wood Cookstove Singer	E. Ceballos	A. Morillo	15/07/2021	1.0
PART NAME	FILE NAME			POS
Cap	cap.ipt			3
DEVELOPED BY	REDESIGNED BY	DOC. TYPE	MATERIAL	QUANTITY
		PART	Zinc, gauge 16	1
Vita	OHO e.V.	LICENCE	SCALE	SHEET
		CC-BY-SA 4.0	1:3	6 /11

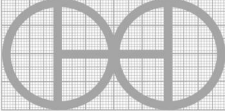


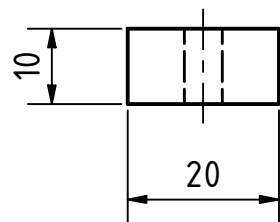
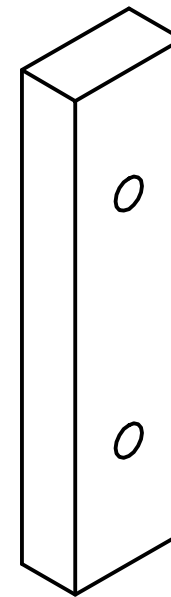
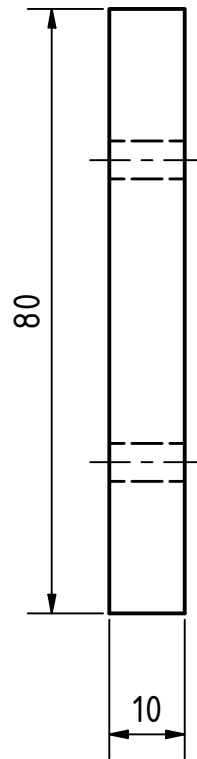
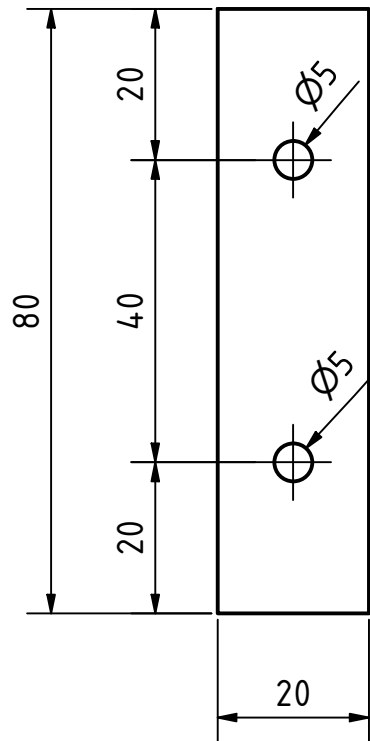
Note: all units in mm

PROJECT	CREATED BY	APPROVED BY	DATE	VERSION
Wood Cookstove Singer	E. Ceballos	A. Morillo	15/07/2021	1.0
PART NAME	FILE NAME			POS
Support bracket	support bracket.ipt			4
DEVELOPED BY	REDESIGNED BY	DOC. TYPE	MATERIAL	QUANTITY
		PART	Steel A36	3
Vita	OHO e.V.	LICENCE	SCALE	SHEET
		CC-BY-SA 4.0	1:2	7 /11




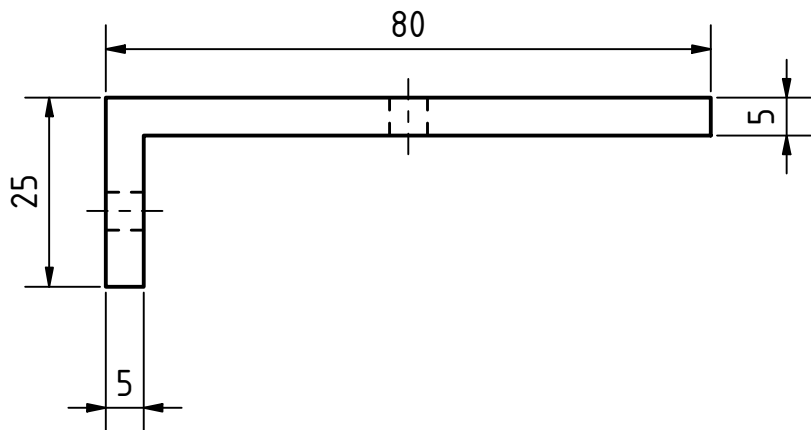
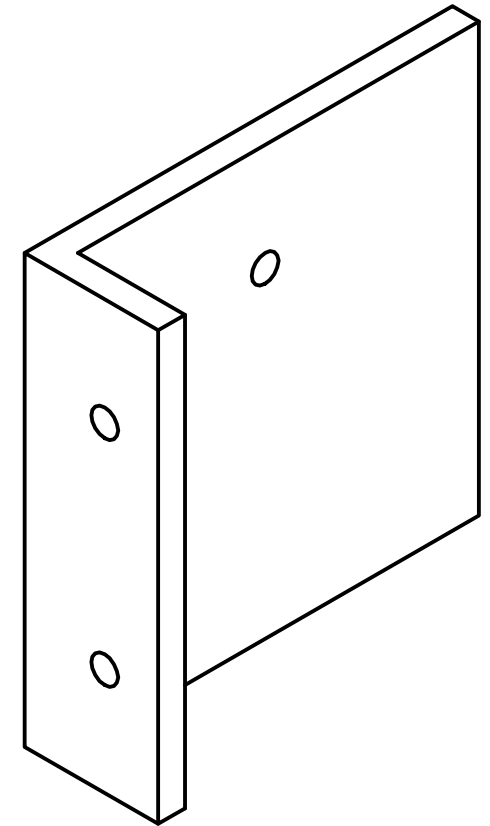
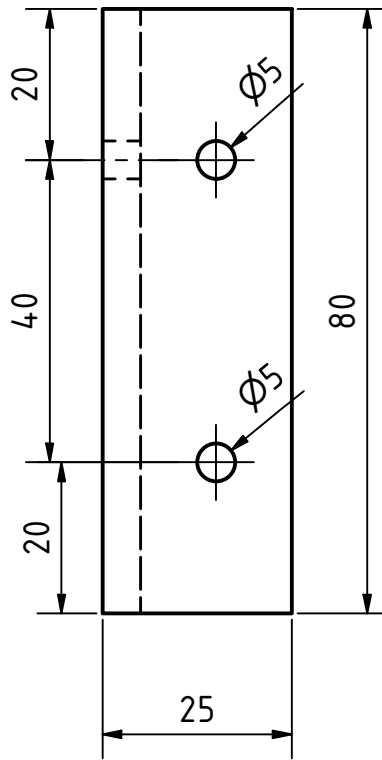
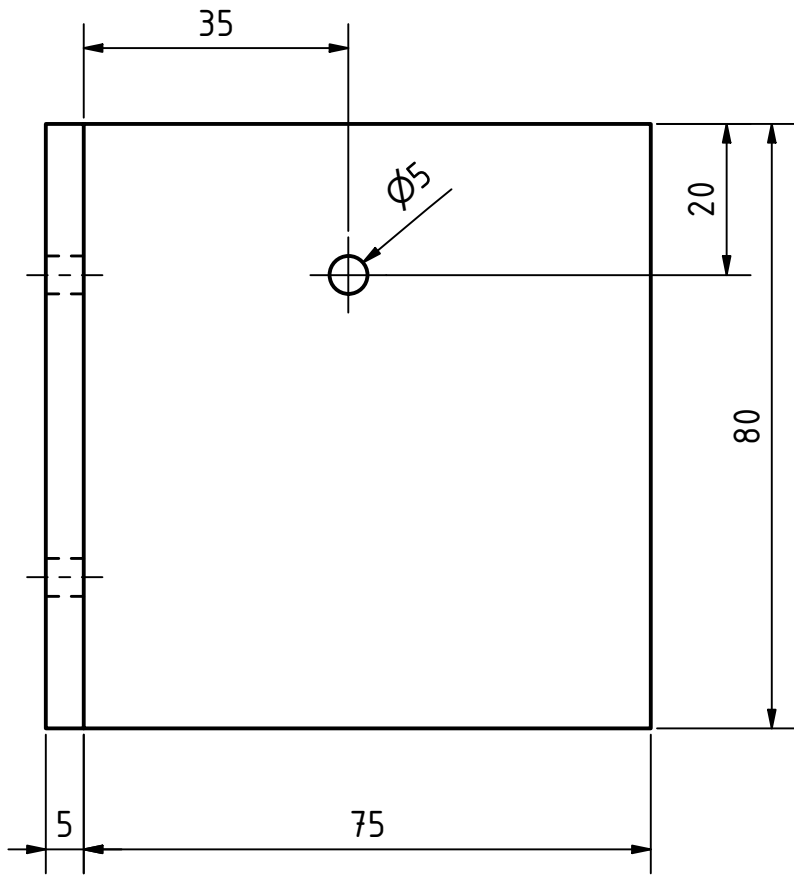
Note: all units in mm

PROJECT	CREATED BY	APPROVED BY	DATE	VERSION
Wood Cookstove Singer	E. Ceballos	A. Morillo	15/07/2021	1.0
PART NAME	FILE NAME			POS
Firebox door	firebox door.ipt			5
DEVELOPED BY	REDESIGNED BY	DOC. TYPE	MATERIAL	QUANTITY
		PART	Clay and sand	1
Vita	OHO e.V.	LICENCE	SCALE	SHEET
		CC-BY-SA 4.0	1:2	8 /11

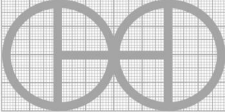


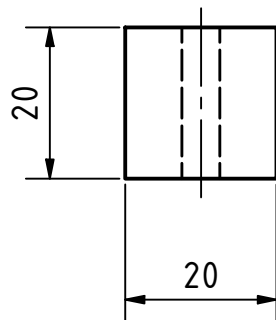
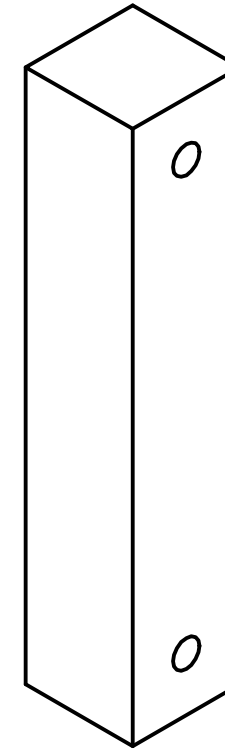
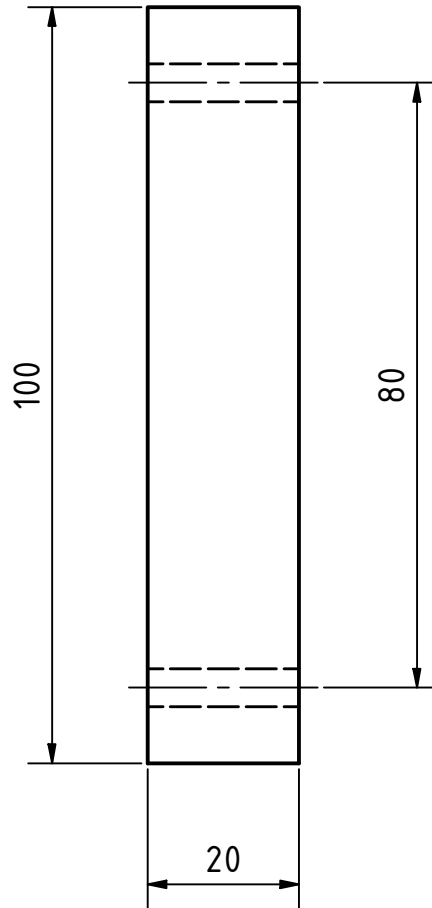
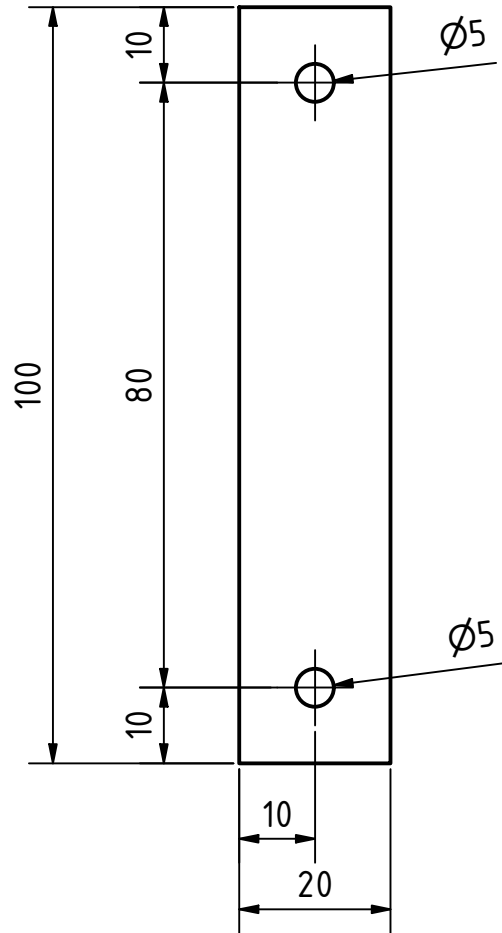
Note: all units in mm

PROJECT	CREATED BY	APPROVED BY	DATE	VERSION
Wood Cookstove Singer	E. Ceballos	A. Morillo	15/07/2021	1.0
PART NAME	FILE NAME			POS
Wood strips	wood strips.ipt			6
DEVELOPED BY	REDESIGNED BY	DOC. TYPE	MATERIAL	QUANTITY
		PART	Kiln dried wood	2
Vita	OHO e.V.	LICENCE	SCALE	SHEET
		CC-BY-SA 4.0	1:1	9 /11



Note: all units in mm

PROJECT	CREATED BY	APPROVED BY	DATE	VERSION
Wood Cookstove Singer	E. Ceballos	A. Morillo	15/07/2021	1.0
PART NAME	FILE NAME			POS
Metal door	damper.ipt			7
DEVELOPED BY	REDESIGNED BY	DOC. TYPE	MATERIAL	QUANTITY
		PART	Steel, ASTM 1045 / DIN C45	1
Vita	OHO e.V.	LICENCE	SCALE	SHEET
		CC-BY-SA 4.0	1:1	10 /11



Note: all units in mm

PROJECT	CREATED BY	APPROVED BY	DATE	VERSION
Wood Cookstove Singer	E. Ceballos	A. Morillo	15/07/2021	1.0
PART NAME	FILE NAME			POS
Handel	wooden handel.ipt			8
DEVELOPED BY	REDESIGNED BY	DOC. TYPE	MATERIAL	QUANTITY
Vita	OHO e.V.	PART LICENCE	Kiln dried wood	1
		SCALE		SHEET
		CC-BY-SA 4.0	1:1	11 /11