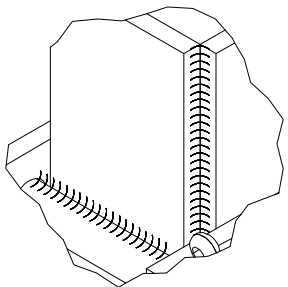
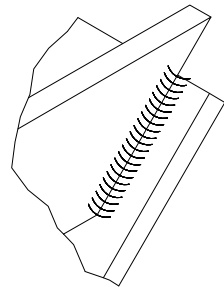


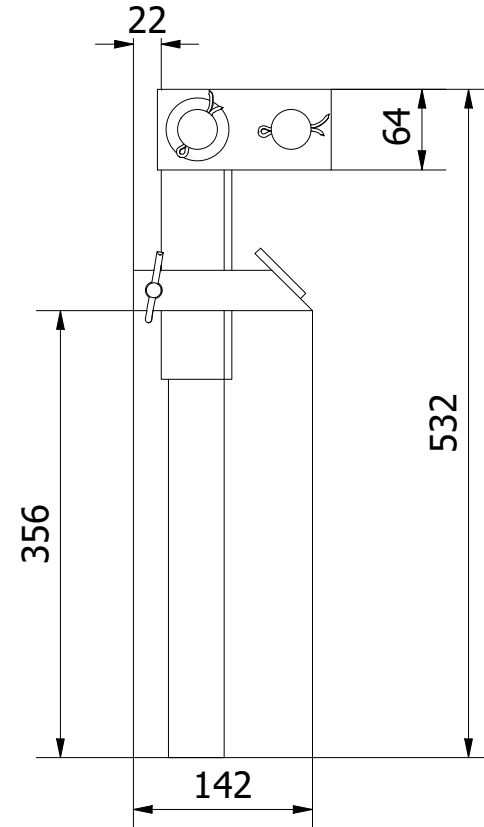
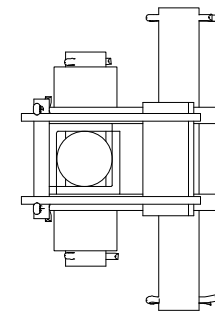
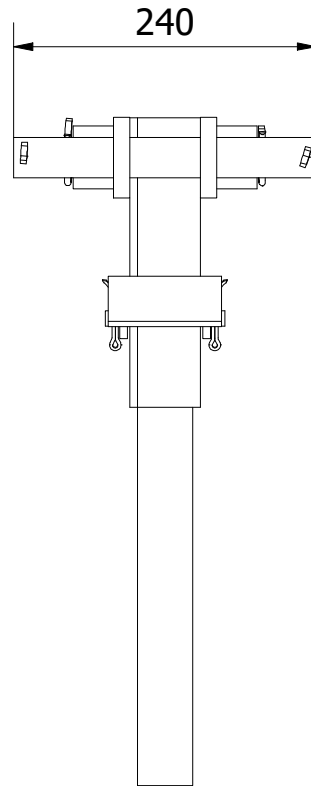
AD ( 1 : 2 )



AB ( 1 : 2 )

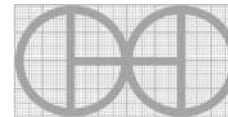


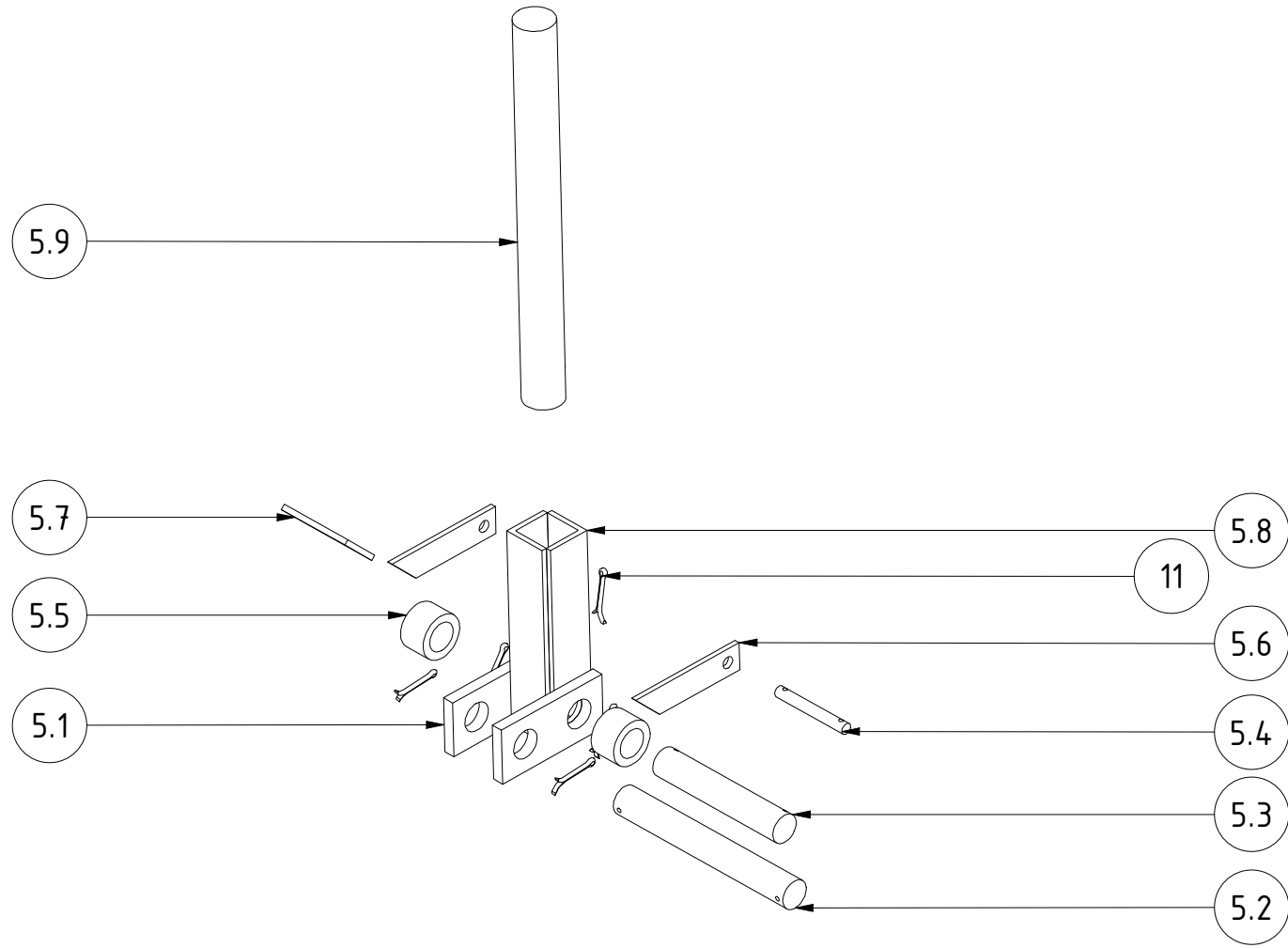
AC ( 1 : 1.5 )

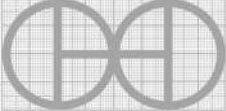


Note: All units in mm.

PROJECT Brick Making Machine CETA-RAM - for soil bricks		CREATED BY J. Rosciano	APPROVED BY A. Morillo	DATE 28/07/2021	VERSION 1.1
PART NAME Lever		FILE NAME Lever.iam			POS 5.0
DEVELOPED BY Centro de Experimentación en Tecnología Apropiada	REDESIGNED BY OHO e.V.	DOC. TYPE Assembly	MATERIAL	QUANTITY 1	
		LICENCE CC-BY-SA 4.0	SCALE 1/6	SHEET 38 /53	





PROJECT Brick Making Machine CETA-RAM - for soil bricks		CREATED BY J. Rosciano	APPROVED BY A. Morillo	DATE 28/07/2021	VERSION 1.1
PART NAME Lever		FILE NAME Lever.ipn			POS 5.0
DEVELOPED BY Centro de Experimentación en Tecnología Apropriada		REDESIGNED BY  OHO e.V.	DOC. TYPE Assembly	MATERIAL	QUANTITY 1
			LICENCE CC-BY-SA 4.0	SCALE 1/7	SHEET 39 /53