
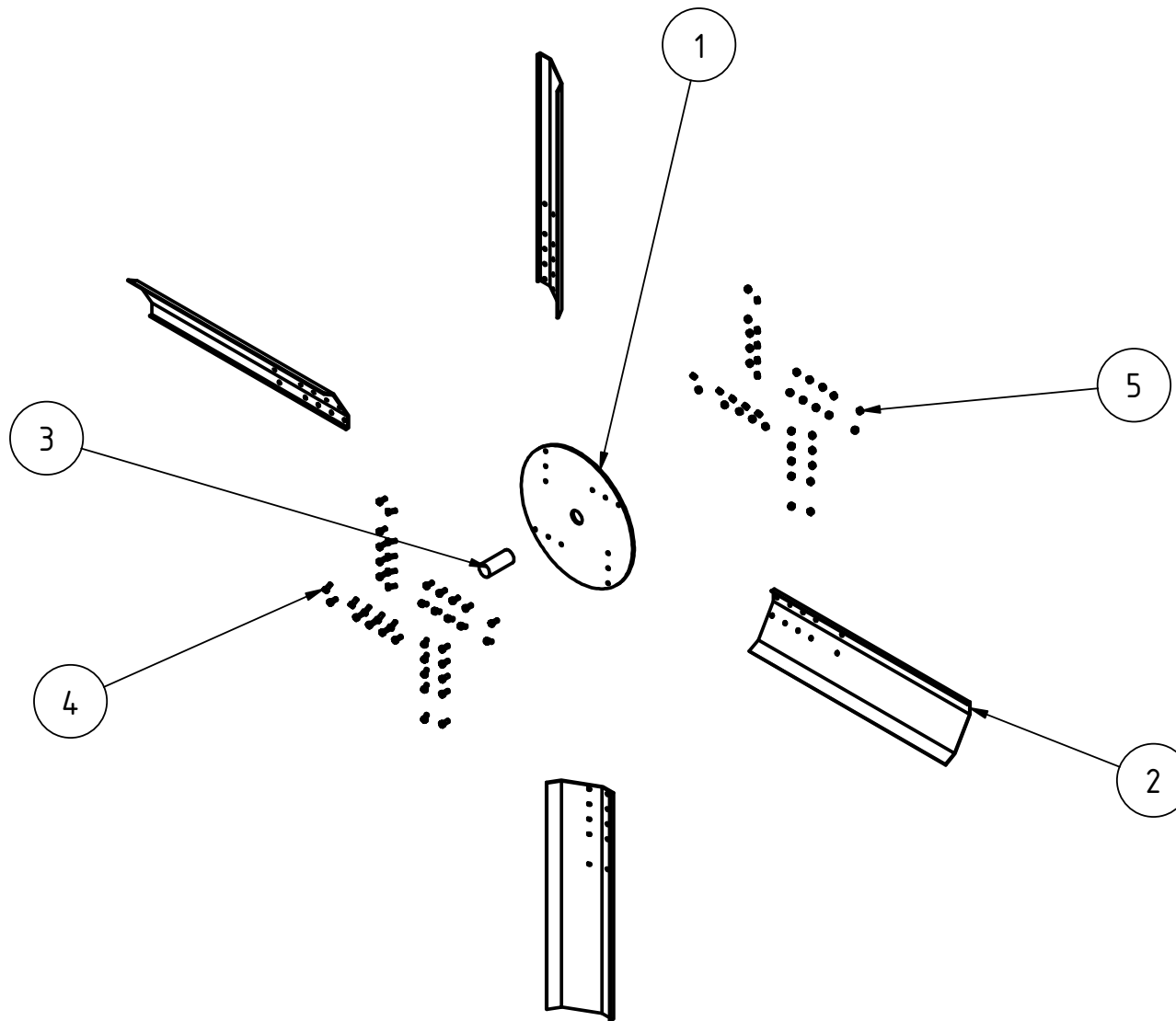

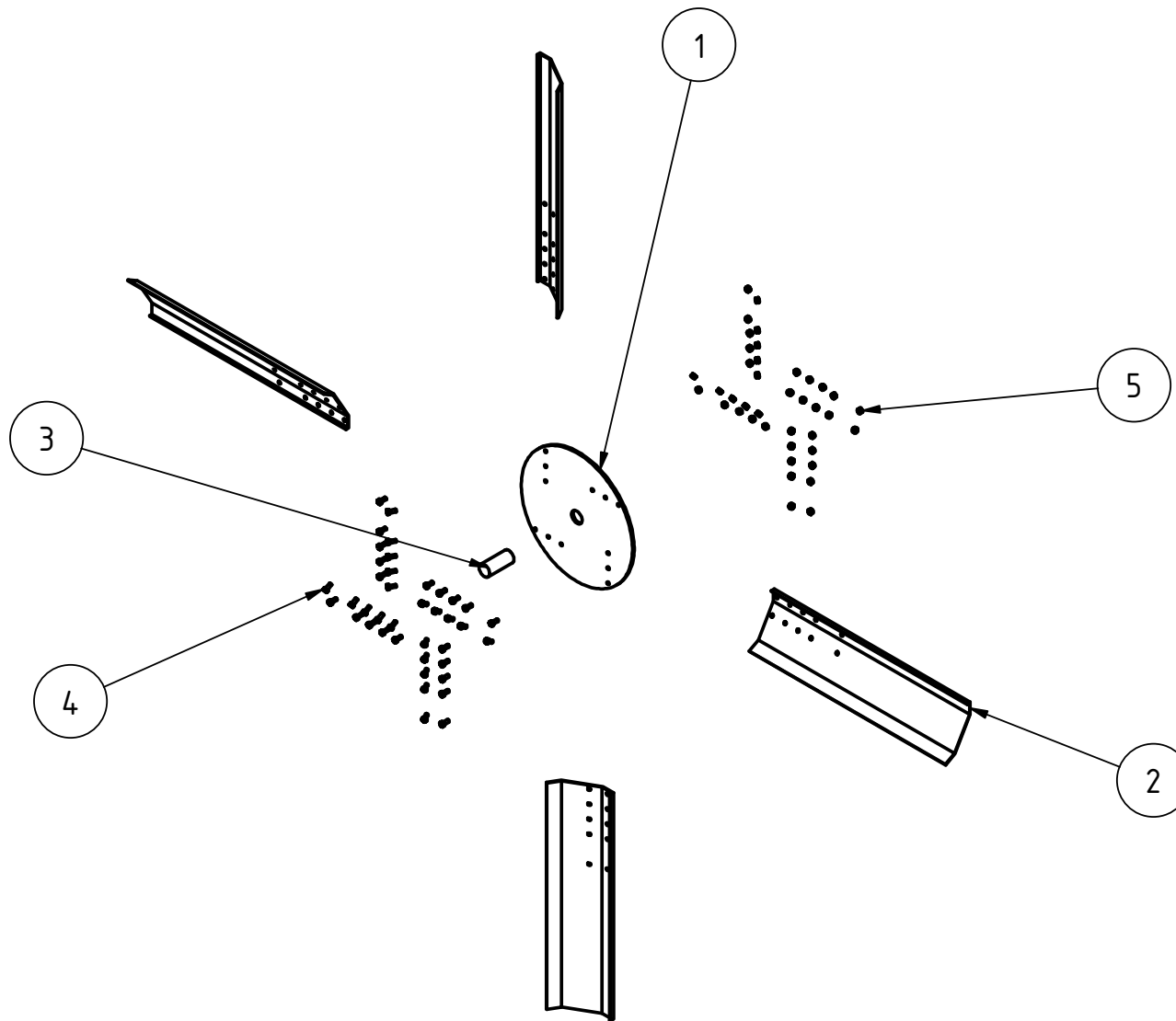



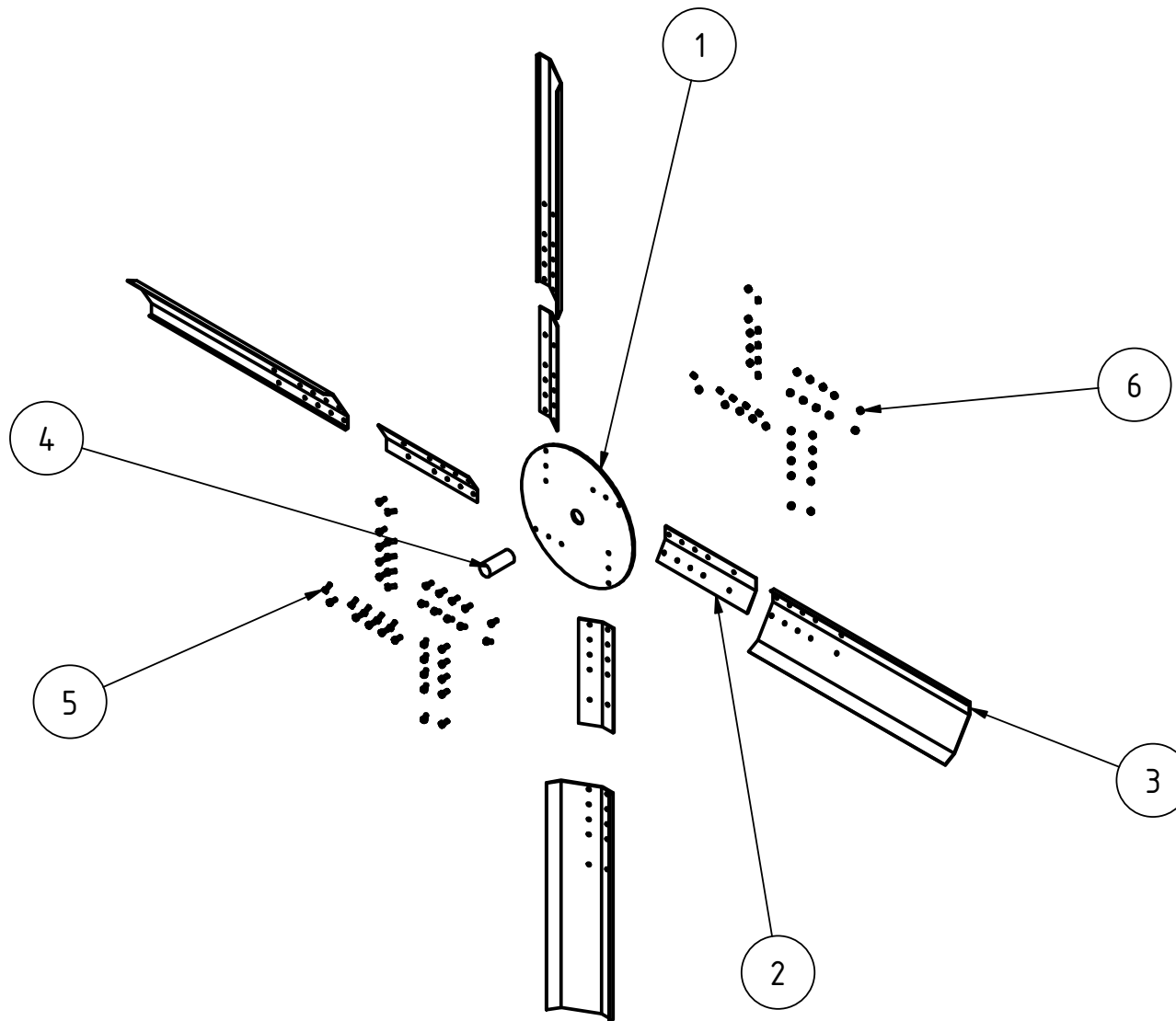
PROJECT		CREATED BY	APPROVED BY	DATE	VERSION
60-120 Dia Wind Mill Blades		E. CEBALLOS	A. MORILLO	04-06-21	1.0
PART NAME		FILE NAME			PART CODE
60" D. Wind mill blades		wind mill blades-hub1.ipn			A1
DEVELOPED BY	REDESIGNED BY	SUPPORTED BY	DOC. TYPE	MATERIAL	QUANTITY
Unknown	 OPEN SOURCE ECOLOGY GERMANY		ASSEMBLY		1
			LICENCE	SCALE	SHEET
			CC-BY-SA 4.0	1:18	7 / 29




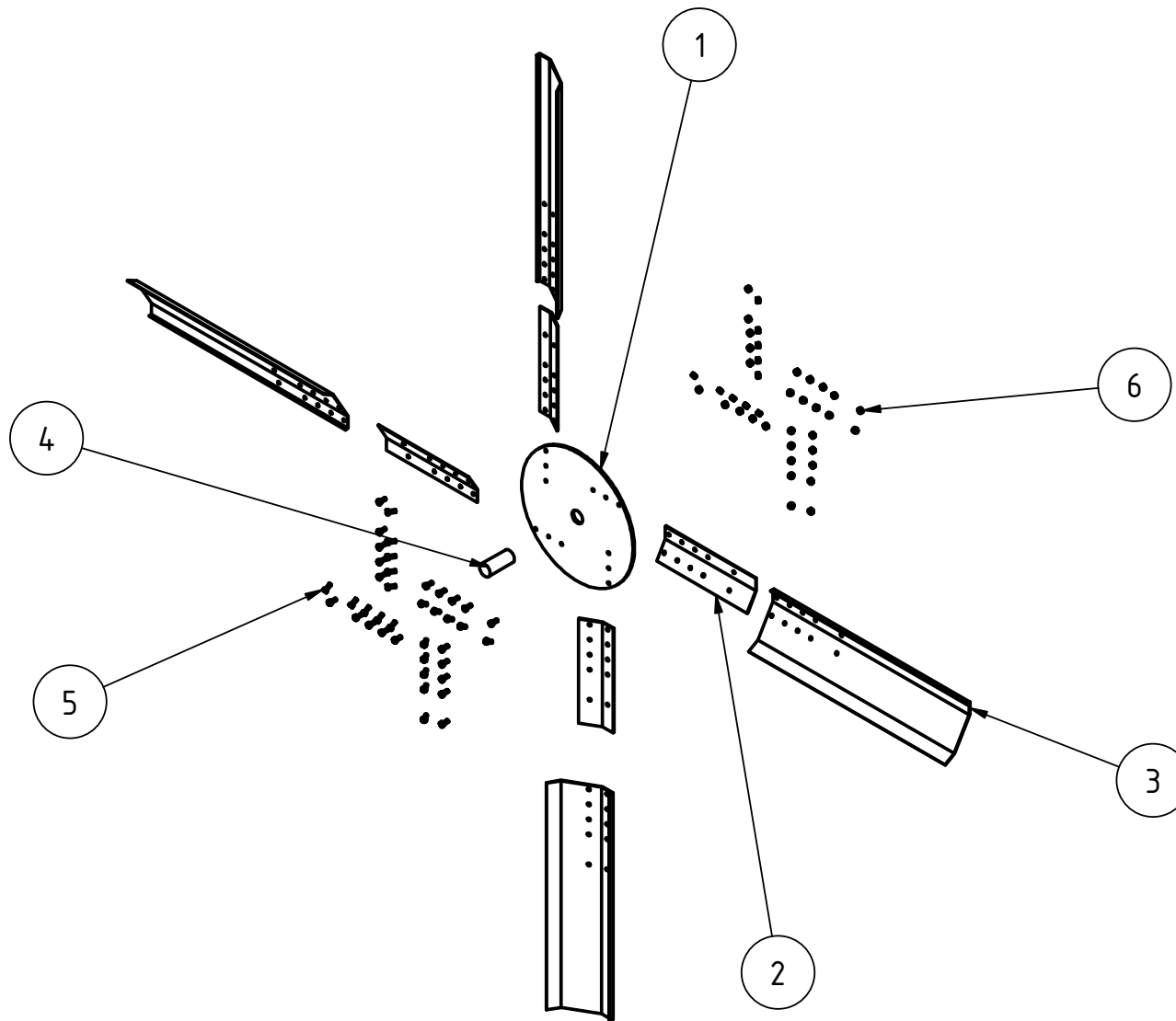
PROJECT		CREATED BY	APPROVED BY	DATE	VERSION
60-120 Dia Wind Mill Blades		E. CEBALLOS	A. MORILLO	04-06-21	1.0
PART NAME		FILE NAME			PART CODE
72" D. Wind mill blades		wind mill blades-hub1.ipn			A1
DEVELOPED BY	REDESIGNED BY	SUPPORTED BY	DOC. TYPE	MATERIAL	QUANTITY
Unknown	 OPEN SOURCE ECOLOGY GERMANY		ASSEMBLY		1
			LICENCE	SCALE	SHEET
			CC-BY-SA 4.0	1:18	8 / 29




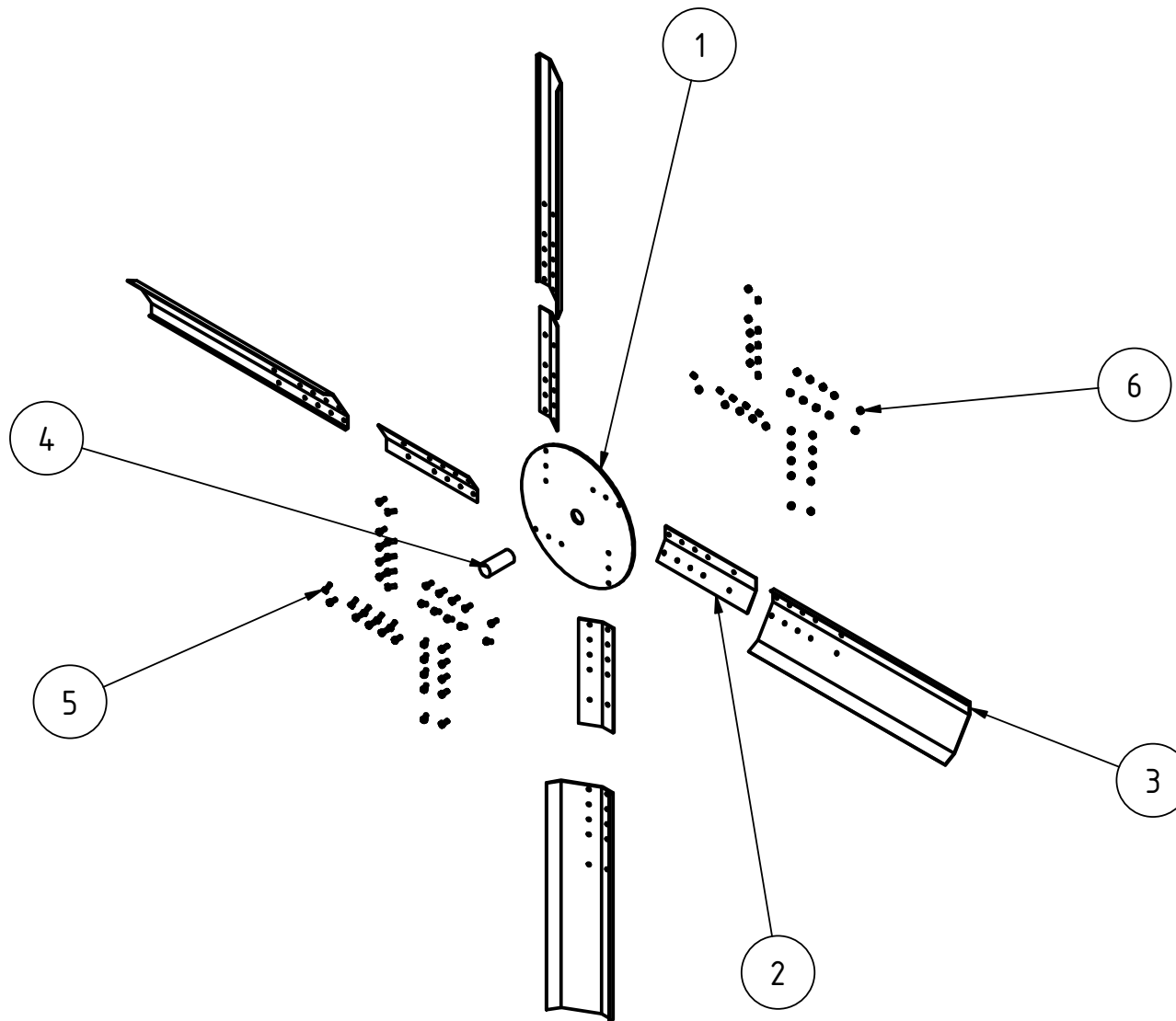
PROJECT		CREATED BY	APPROVED BY	DATE	VERSION
60-120 Dia Wind Mill Blades		E. CEBALLOS	A. MORILLO	04-06-21	1.0
PART NAME		FILE NAME			PART CODE
84" D. Wind mill blades		wind mill blades-hub1.ipn			A1
DEVELOPED BY	REDESIGNED BY	SUPPORTED BY	DOC. TYPE	MATERIAL	QUANTITY
	 OPEN SOURCE ECOLOGY GERMANY		ASSEMBLY		1
Unknown		OSEG		LICENCE	SCALE
			CC-BY-SA 4.0	1:18	9 / 29




PROJECT		CREATED BY	APPROVED BY	DATE	VERSION
60-120 Dia Wind Mill Blades		E. CEBALLOS	A. MORILLO	04-06-21	1.0
PART NAME		FILE NAME			PART CODE
96" D. Wind mill blades		wind mill blades-hub1.ipn			A1
DEVELOPED BY	REDESIGNED BY	SUPPORTED BY	DOC. TYPE	MATERIAL	QUANTITY
			ASSEMBLY		1
Unknown	OSEG		LICENCE	SCALE	SHEET
			CC-BY-SA 4.0	1:18	10 / 29



PROJECT		CREATED BY	APPROVED BY	DATE	VERSION
60-120 Dia Wind Mill Blades		E. CEBALLOS	A. MORILLO	04-06-21	1.0
PART NAME		FILE NAME			PART CODE
108" D. Wind mill blades		wind mill blades-hub1.ipn			A1
DEVELOPED BY	REDESIGNED BY	SUPPORTED BY	DOC. TYPE	MATERIAL	QUANTITY
	 OPEN SOURCE ECOLOGY GERMANY		ASSEMBLY		1
Unknown	OSEG		LICENCE	SCALE	SHEET
			CC-BY-SA 4.0	1:18	11 / 29



PROJECT		CREATED BY	APPROVED BY	DATE	VERSION
60-120 Dia Wind Mill Blades		E. CEBALLOS	A. MORILLO	04-06-21	1.0
PART NAME		FILE NAME			PART CODE
120" D. Wind mill blades		wind mill blades-hub1.ipn			A1
DEVELOPED BY	REDESIGNED BY	SUPPORTED BY	DOC. TYPE	MATERIAL	QUANTITY
	 OPEN SOURCE ECOLOGY GERMANY		ASSEMBLY		1
Unknown		OSEG		LICENCE	SCALE
			CC-BY-SA 4.0	1:18	12 / 29