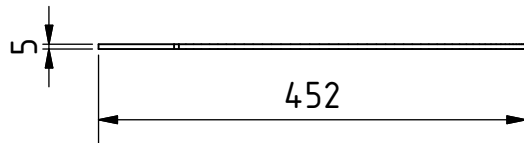
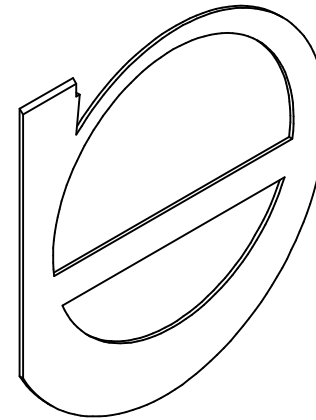
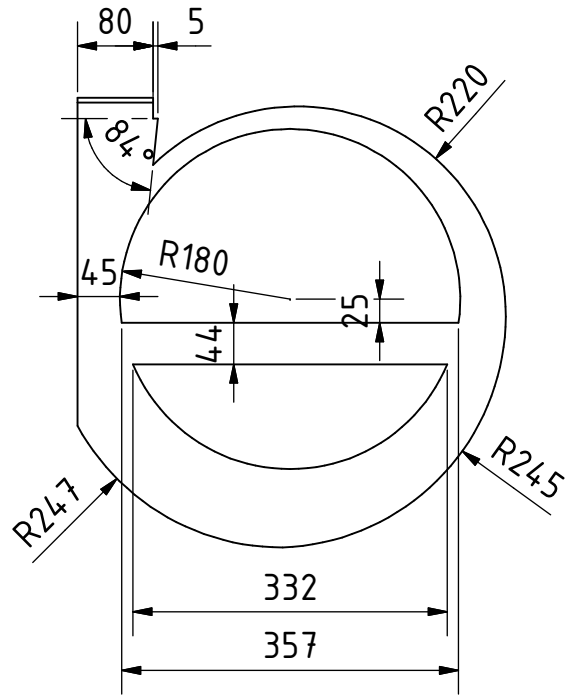


ELEVATION (1 : 8)



Note: All units in mm.

| | | | | | | | | |
|---|--|------------------------------|--|---------------------------|---------------------|--------------------|-----------------|--|
| PROJECT Hand Operated Winnower for groundnut | | CREATED BY J. Zeron | | APPROVED BY A. Morillo | | DATE 09/08/2021 | VERSION 1.0 | |
| PART NAME Drum body B | | FILE NAME Drum body B.ipt | | | | | POS 3.2 | |
| DEVELOPED BY Tropical Products Institut | | REDESIGNED BY OHO e.V. | | DOC. TYPE Part | MATERIAL Plywood | | QUANTITY 1 | |
| | | | | LICENCE CC-BY-SA 4.0 | | SCALE 1:8 | SHEET 20 /45 | |