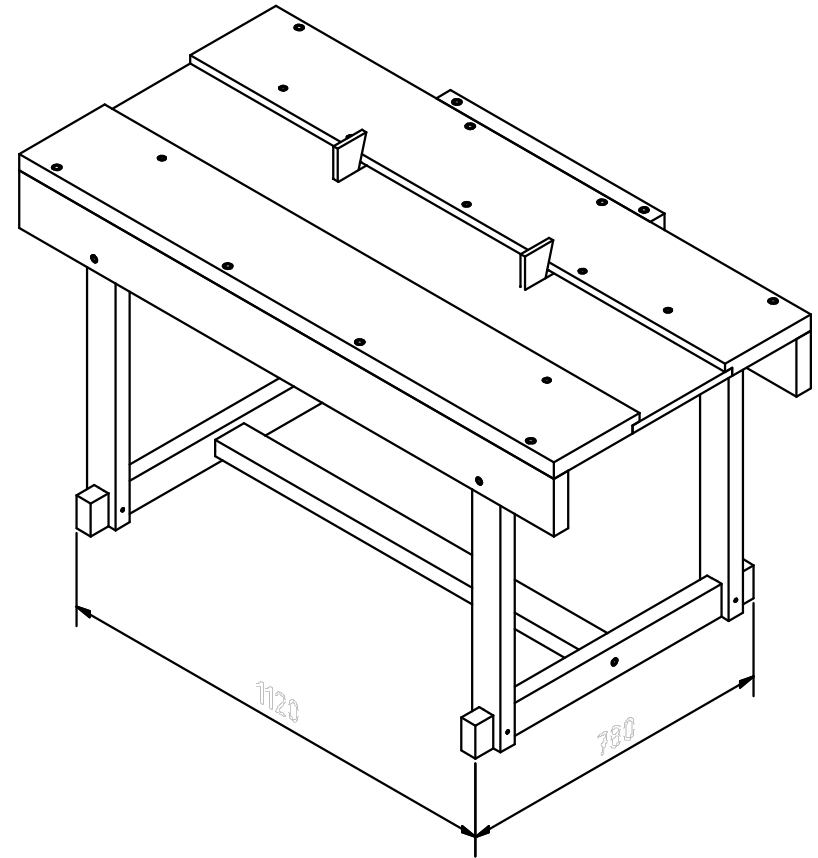
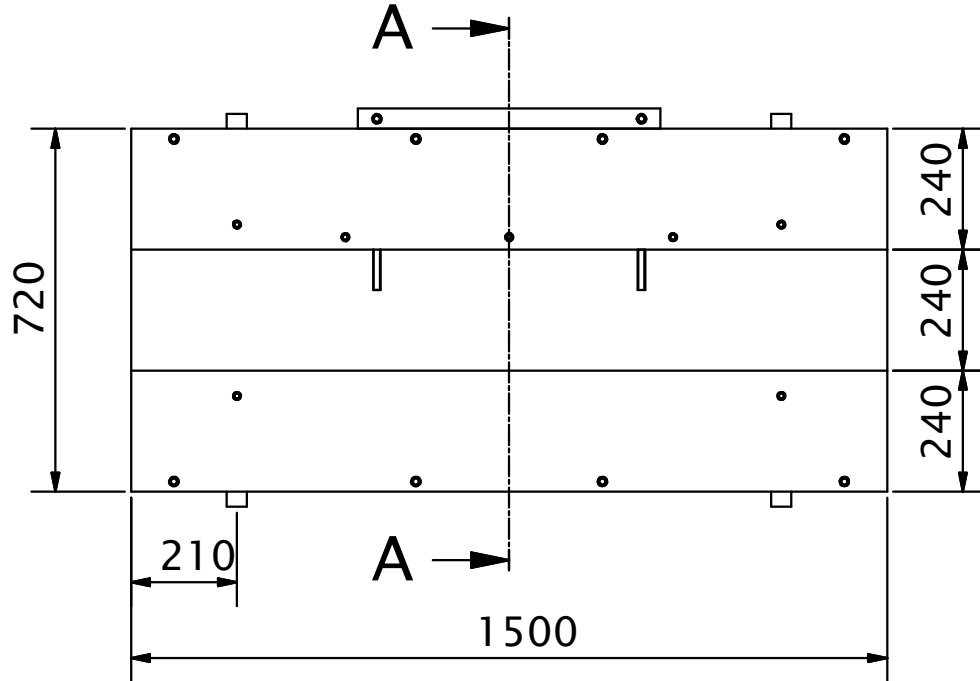
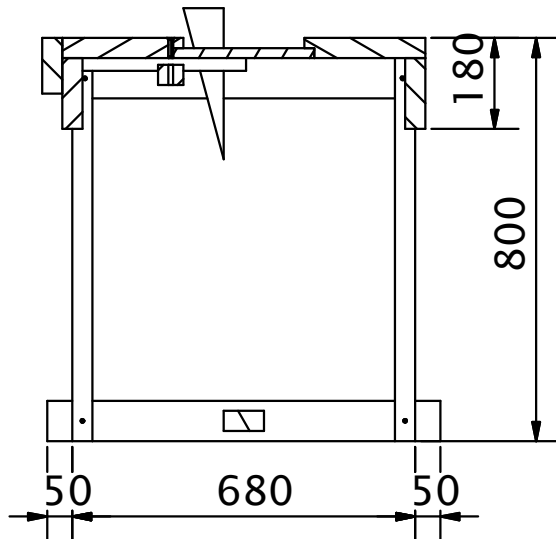


# PLAN ( 1 : 15 )



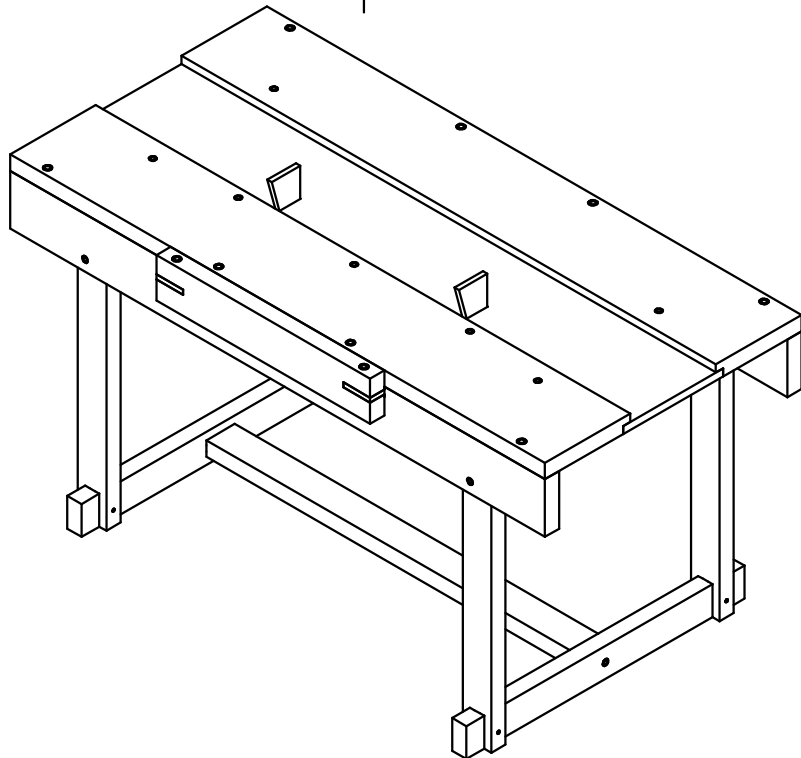
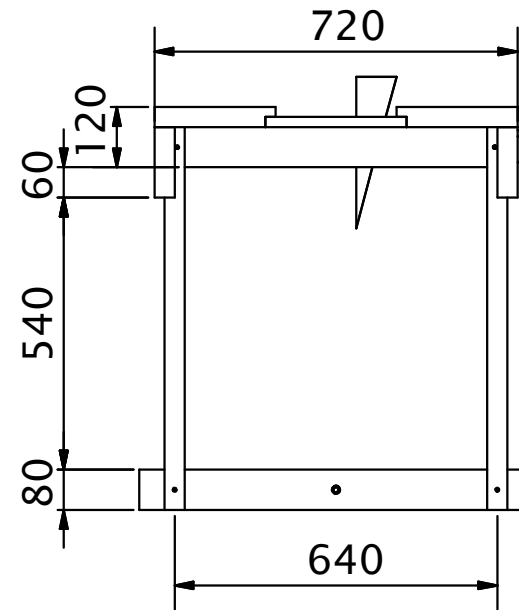
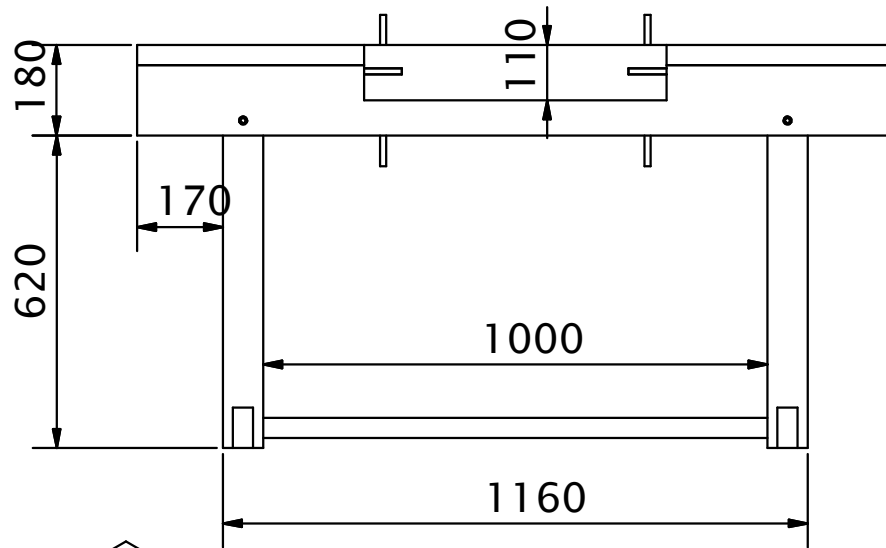
# A-A ( 1 : 15 )




Note: All units in mm.

|                   |                               |              |            |          |
|-------------------|-------------------------------|--------------|------------|----------|
| PROJECT           | CREATED BY                    | APPROVED BY  | DATE       | VERSION  |
| Woodworking Bench | J. Zeron                      | A. Morillo   | 24/06/2021 | 1.0      |
| PART NAME         | FILE NAME                     | POS          |            |          |
| 3d views          | pac_wwb_woodworking-bench.iam | A1           |            |          |
| DEVELOPED BY      | REDESIGNED BY                 | DOC. TYPE    | MATERIAL   | QUANTITY |
| Practical Action  | OHO e.V.                      | Assembly     |            | 1        |
|                   |                               | LICENCE      | SCALE      | SHEET    |
|                   |                               | CC-BY-SA 4.0 | 1:15       | 1 / 21   |

# SIDE ( 1 : 15 )



Note: All units in mm.

|                   |   |              |            |          |
|-------------------|---|--------------|------------|----------|
| PROJECT           | CREATED BY  | APPROVED BY  | DATE       | VERSION  |
| Woodworking Bench | J. Zeron  | A. Morillo   | 24/06/2021 | 1.0      |
| PART NAME         | FILE NAME   |              |            | POS      |
| 3d views          | pac_wwb_woodworking-bench.iam   |              |            | A1       |
| DEVELOPED BY      | REDESIGNED BY   | DOC. TYPE    | MATERIAL   | QUANTITY |
|                   |  | Assembly     |            | 1        |
| Practical Action  | OHO e.V.  | LICENCE      | SCALE      | SHEET    |
|                   |   | CC-BY-SA 4.0 | 1:15       | 2 / 21   |