
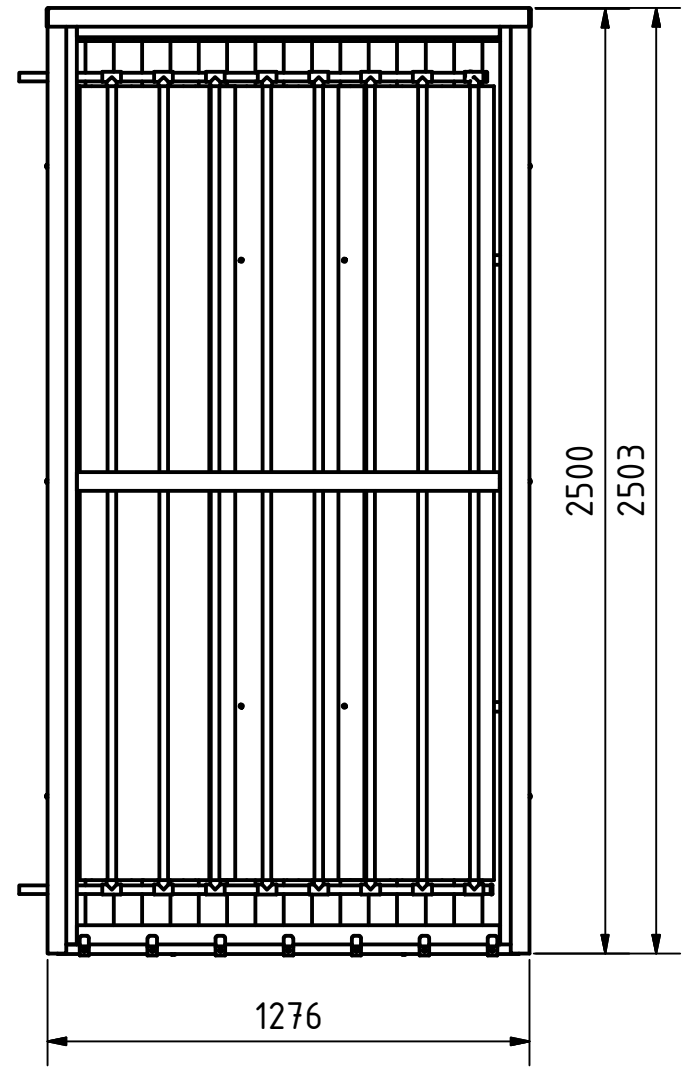
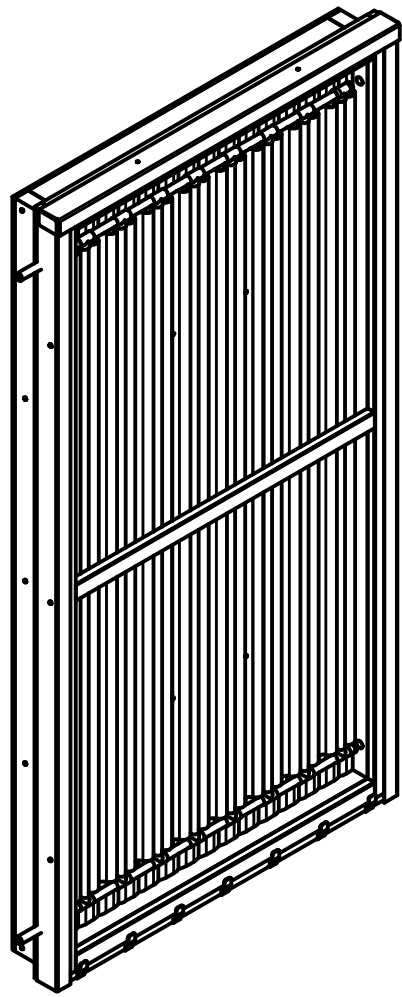


PROJECT Solar Water Heater with corrugated metal collector	CREATED BY D. MOSQUERA	APPROVED BY A. MORILLO	DATE 16-06-21	VERSION 1.0
PART NAME 3D-Views	FILE NAME eg_swh_A1_solar-water-heater.iam			POS A1
DEVELOPED BY ECOTOPE GROUP	REDESIGNED BY  OSEG	DOC. TYPE Assembly	MATERIAL	QUANTITY 1
		LICENCE CC-BY-SA 4.0	SCALE 1:10	SHEET 1 /31



PROJECT Solar Water Heater with corrugated metal collector		CREATED BY D. MOSQUERA		APPROVED BY A. MORILLO		DATE 16-06-21	VERSION 1.0
PART NAME 3D Views			FILE NAME eg_swh_A1_solar-water-heater.iam				POS A1
DEVELOPED BY ECOTOPE GROUP		REDESIGNED BY OSEG		DOC. TYPE Assembly	MATERIAL		QUANTITY 1
				LICENCE CC-BY-SA 4.0		SCALE 1:20	SHEET 2 /31



OPEN SOURCE ECOLOGY  
GERMANY