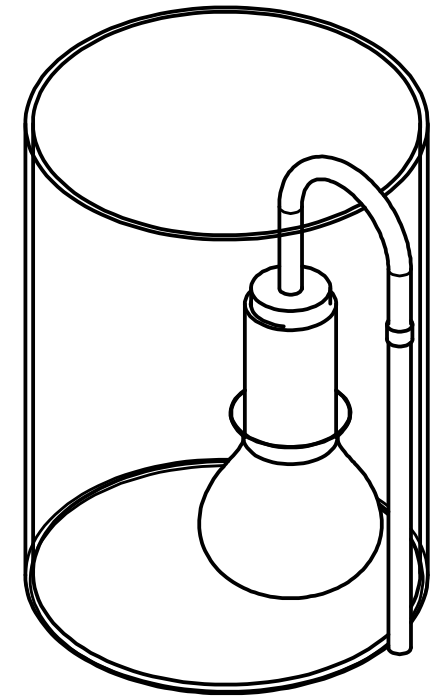
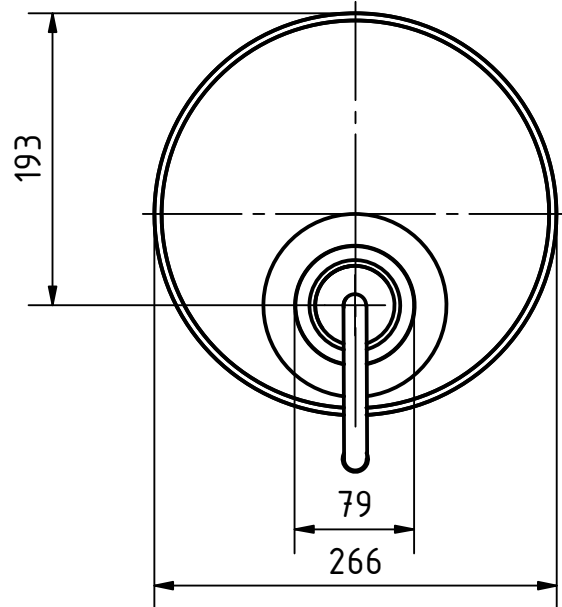


D-D (1 : 5)



Note: All units in mm.

PROJECT	CREATED BY	APPROVED BY	DATE	VERSION
Carbon filter for drinking water	E. Ceballos	A. Morillo	15/08/2021	1.0
PART NAME	FILE NAME			POS
3d views	carbon filter.iam			A1
DEVELOPED BY	REDESIGNED BY	DOC. TYPE	MATERIAL	QUANTITY
WHO International Reference Center for Community Water Supply	OHO e.V.	Assembly		1
		LICENCE	SCALE	SHEET
		CC-BY-SA 4.0	1:5	1 / 10