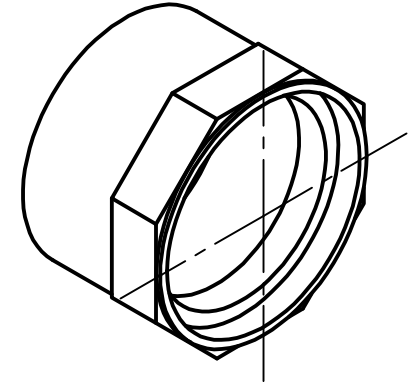
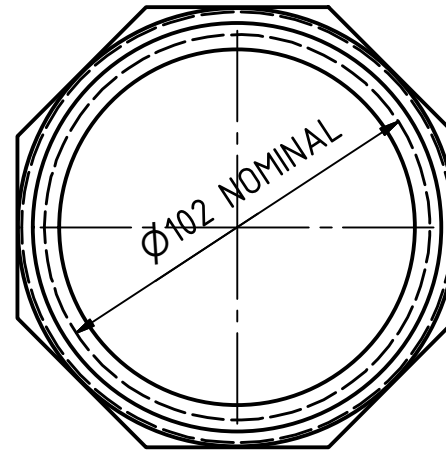
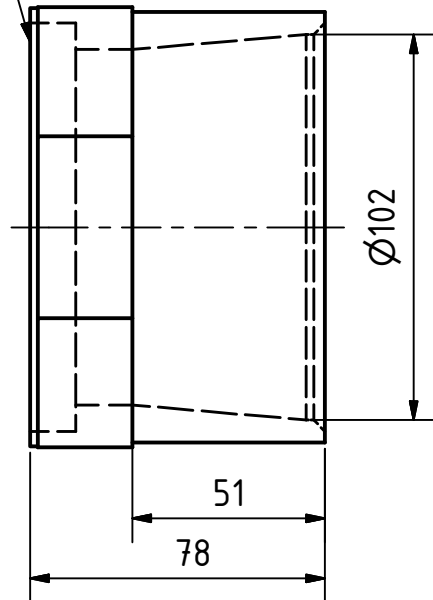



SHORTEN
SO IT DOES NOT COLLIDE
WITH THE INTERNAL TANK



PROJECT	CREATED BY	APPROVED BY	DATE	VERSION
Floating Dome Biodigester	D.MOSQUERA	D. JAEGER	02-06-21	1.0
PART NAME	FILE NAME			PART CODE
Female fitting short	aid_fdb_female-fitting-short-pvc4.ipt			1.3
DEVELOPED BY	REDESIGNED BY	DOC. TYPE	MATERIAL	QUANTITY
Appropriate Infrastructure Development Group	 OPEN SOURCE ECOLOGY GERMANY OHO e.V.	PART	PVC Piping	1
		LICENCE	SCALE	SHEET
		CC-BY-SA 4.0	1:5	12 /40